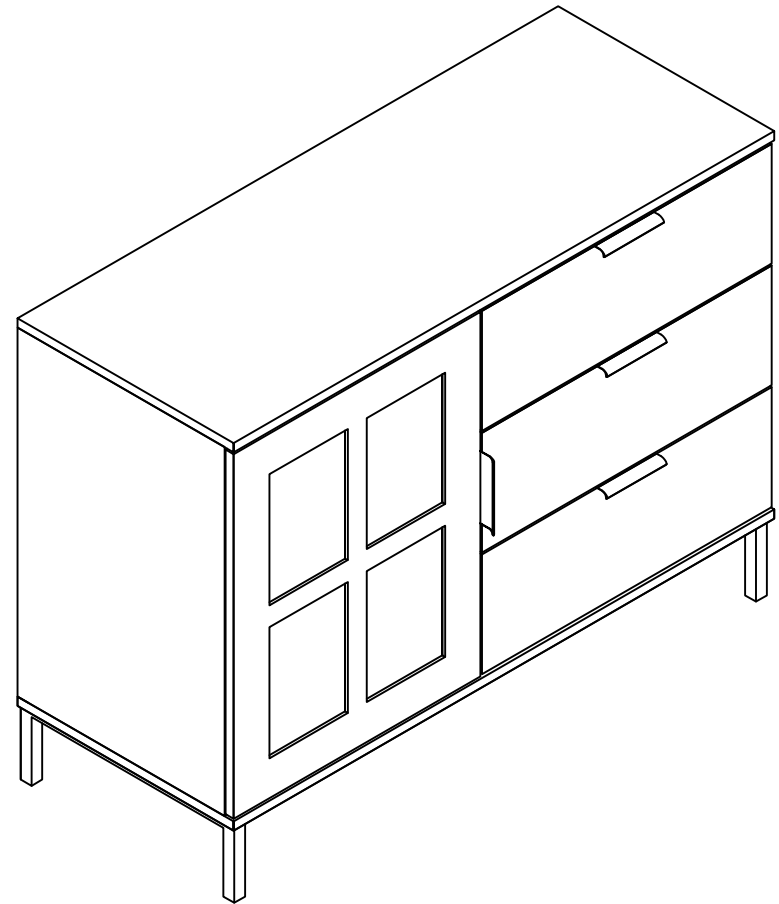


Assembly Instructions



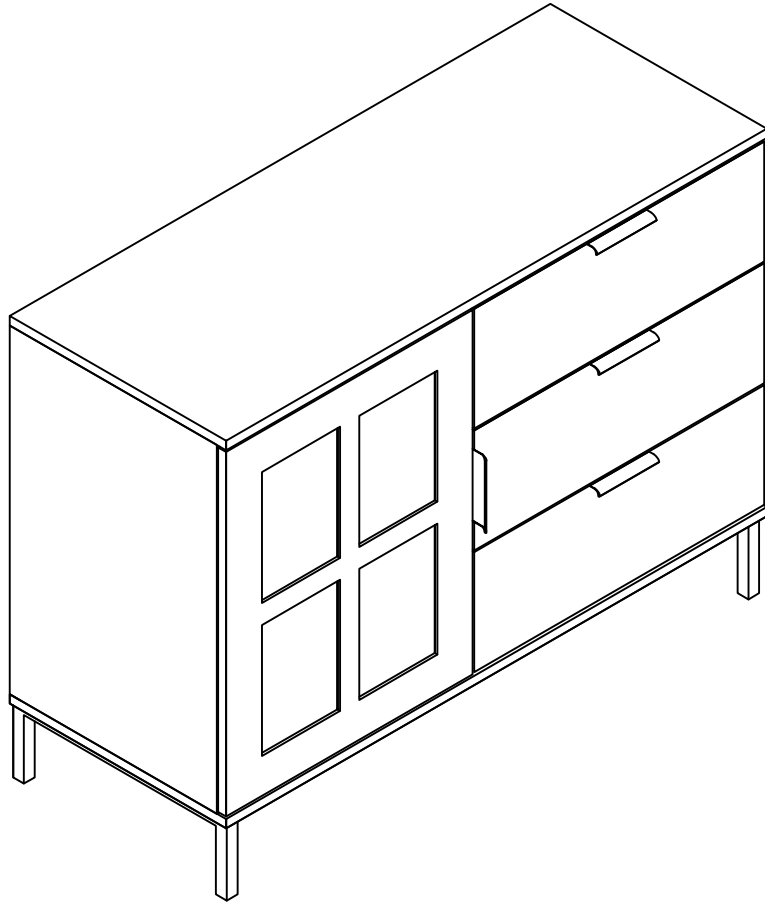
Thank you for your purchase.

Please follow the instructions below for correct assembly.

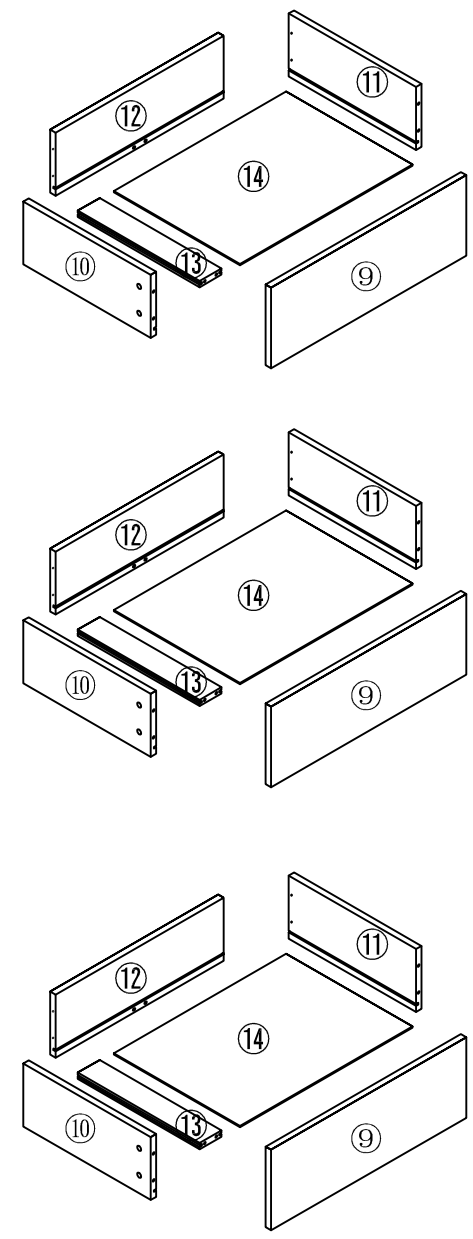
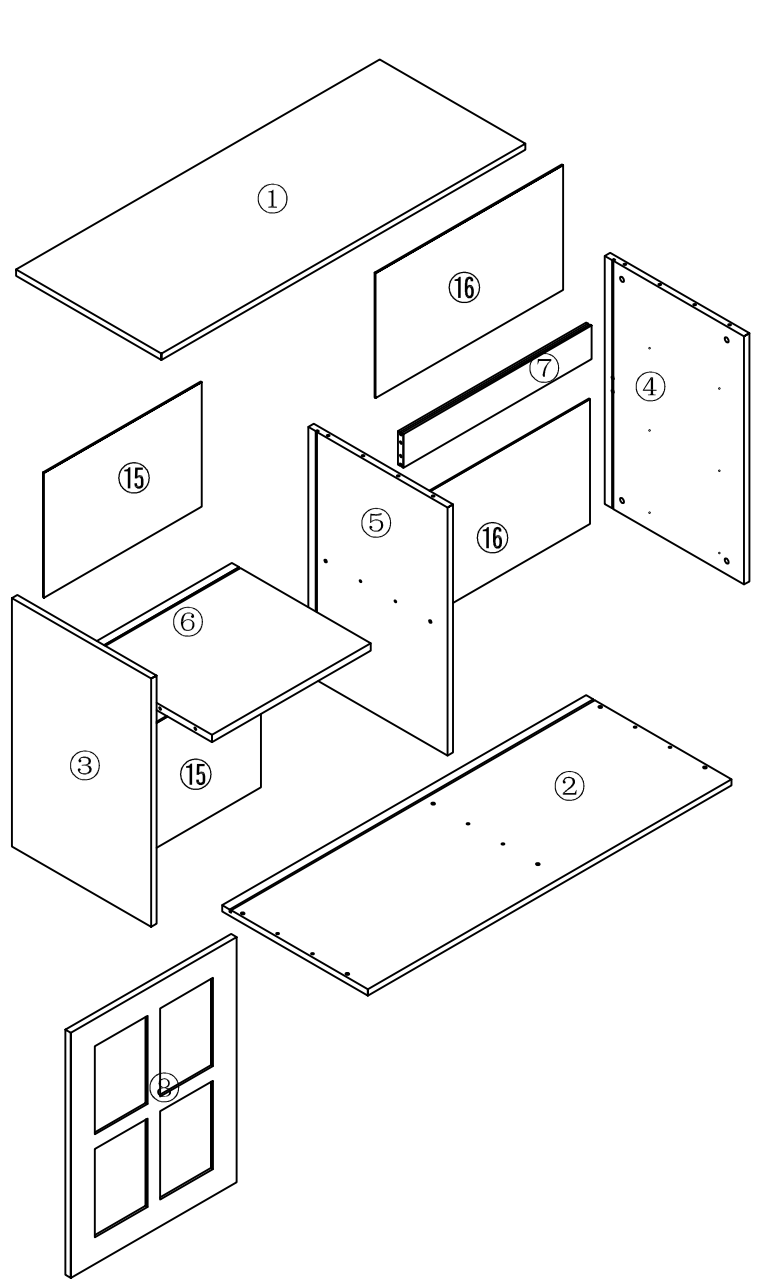
▲ For higher efficiency, we recommend to use a power drill; the power drill should be set on the low speed to avoid screw stripping.

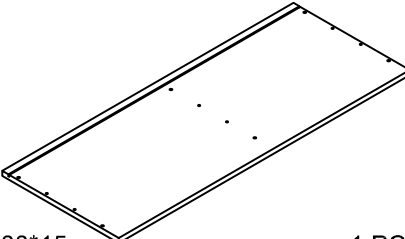
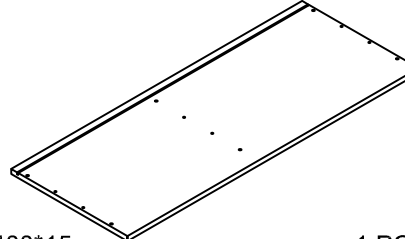
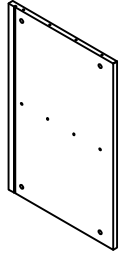
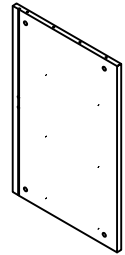
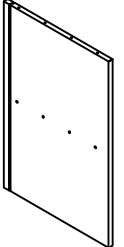
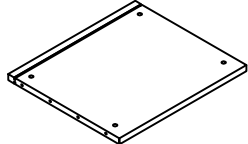

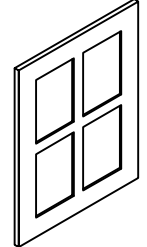
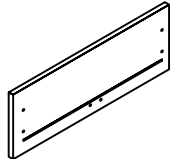
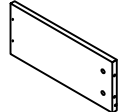
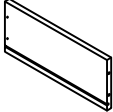
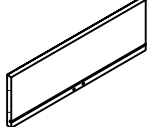
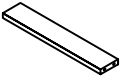
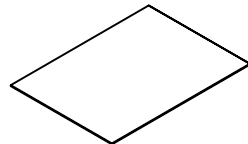
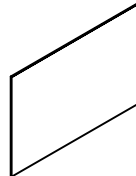
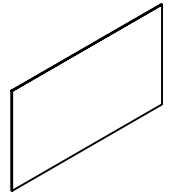
▲ CAUTION

This package contains small parts and hardware; keep it from children to avoid accidental swallowing



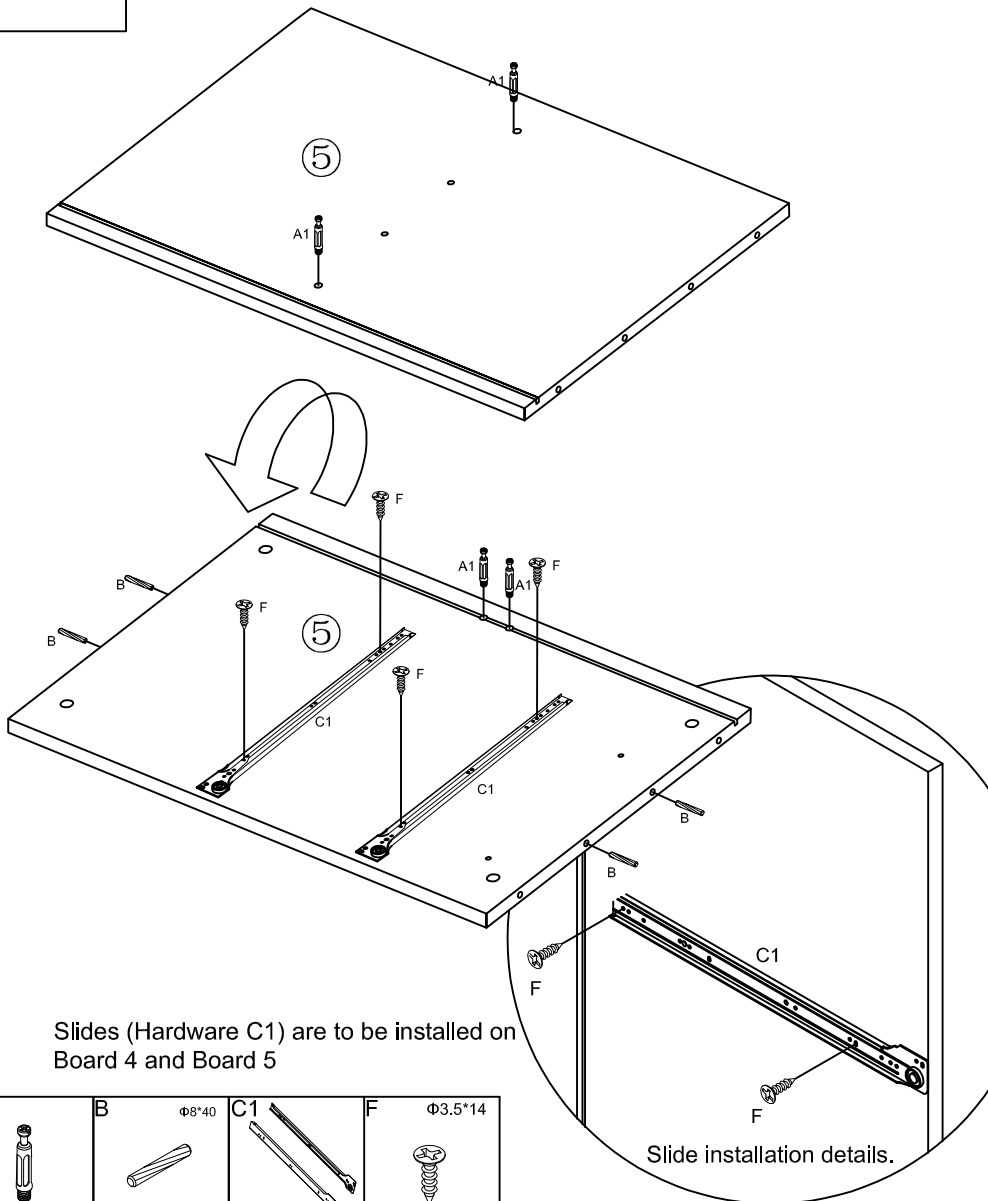
<p>A1 A2</p>	<p>$\Phi 8 \times 40$</p>	<p>C1 C2</p>	
<p>A 32pcs</p>	<p>B 28pcs</p>	<p>C 3pcs</p>	<p>D 3pcs</p>
<p>940*20*20MM E2 *2 E1 130*395*20MM</p>	<p>$\Phi 3.5 \times 14$</p>	<p>$\Phi 3.5 \times 35$</p>	
<p>E 1pcs</p>	<p>F 44pcs</p>	<p>G 12pcs</p>	<p>H 4pcs</p>
<p>I1 I2</p>	<p>$\text{Ø}6 \times 35$</p>	<p>$\text{Ø}6 \times 30$</p>	<p>L1 L2 $\text{Ø}6 \times 30$</p>
<p>I 16pcs</p>	<p>J 4pcs</p>	<p>K 8pcs</p>	<p>L 2pcs</p>
<p>M 32pcs</p>			



<p>①</p>  <p>1000*400*15mm 1 PCS</p>	<p>②</p>  <p>1000*400*15mm 1 PCS</p>	<p>③</p>  <p>591*383*15mm 1 PCS</p>	<p>④</p>  <p>591*383*15mm 1 PCS</p>
<p>⑤</p>  <p>591*383*15mm 1 PCS</p>	<p>⑥</p>  <p>436*382*15mm 1 PCS</p>	<p>⑦</p>  <p>517*80*15mm 1 PCS</p>	<p>⑧</p>  <p>584*456*15mm 1 PCS</p>
<p>⑨</p>  <p>538*192*15mm 3 PCS</p>	<p>⑩</p>  <p>350*150*15mm 3 PCS</p>	<p>⑪</p>  <p>350*150*15mm 3 PCS</p>	<p>⑫</p>  <p>462*150*15mm 3 PCS</p>
<p>⑬</p>  <p>335*60*15mm 3 PCS</p>	<p>⑭</p>  <p>472*345*3mm 3 PCS</p>	<p>⑮</p>  <p>445*297*3mm 2 PCS</p>	<p>⑯</p>  <p>526*266*3mm 2 PCS</p>

1

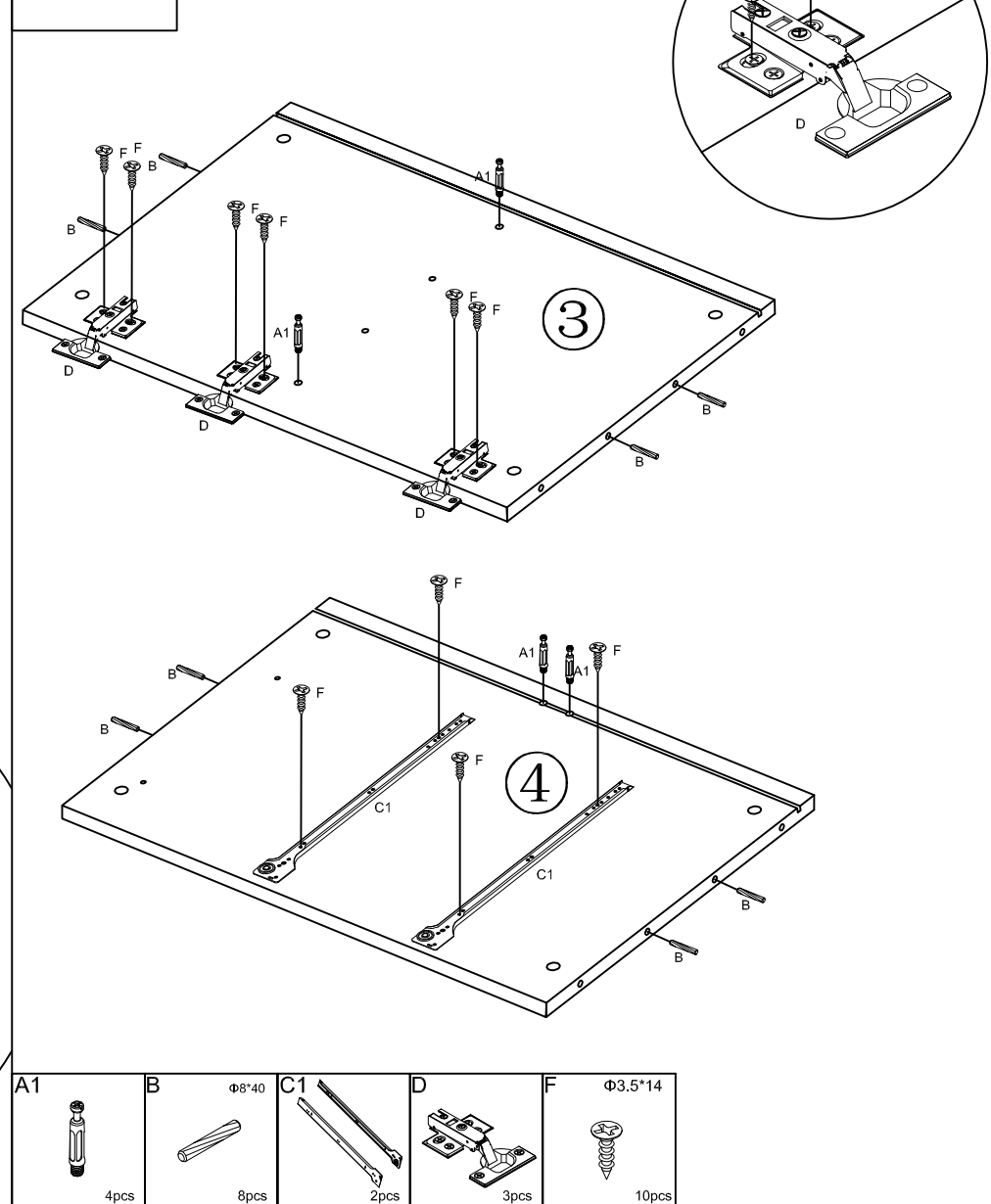
Distinguish the left and right sides of Board 4 and Board 5 by referring to the position of the groove.



Slides (Hardware C1) are to be installed on Board 4 and Board 5

A1	B	Φ8*40	C1	F	Φ3.5*14
4pcs	4pcs	4pcs	2pcs	4pcs	4pcs

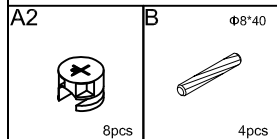
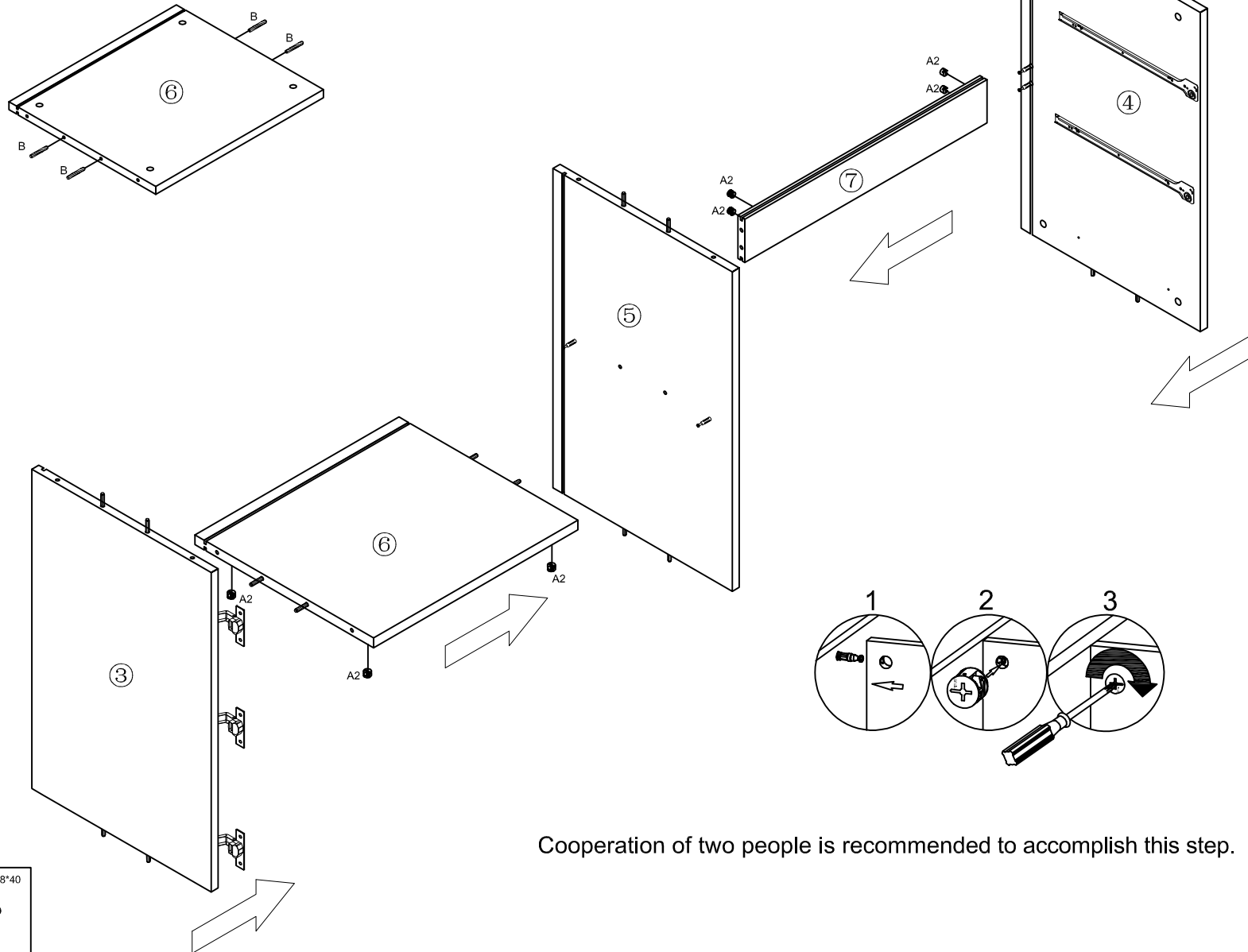
2



A1	B	Φ8*40	C1	D	F	Φ3.5*14
4pcs	8pcs	8pcs	2pcs	3pcs	10pcs	10pcs

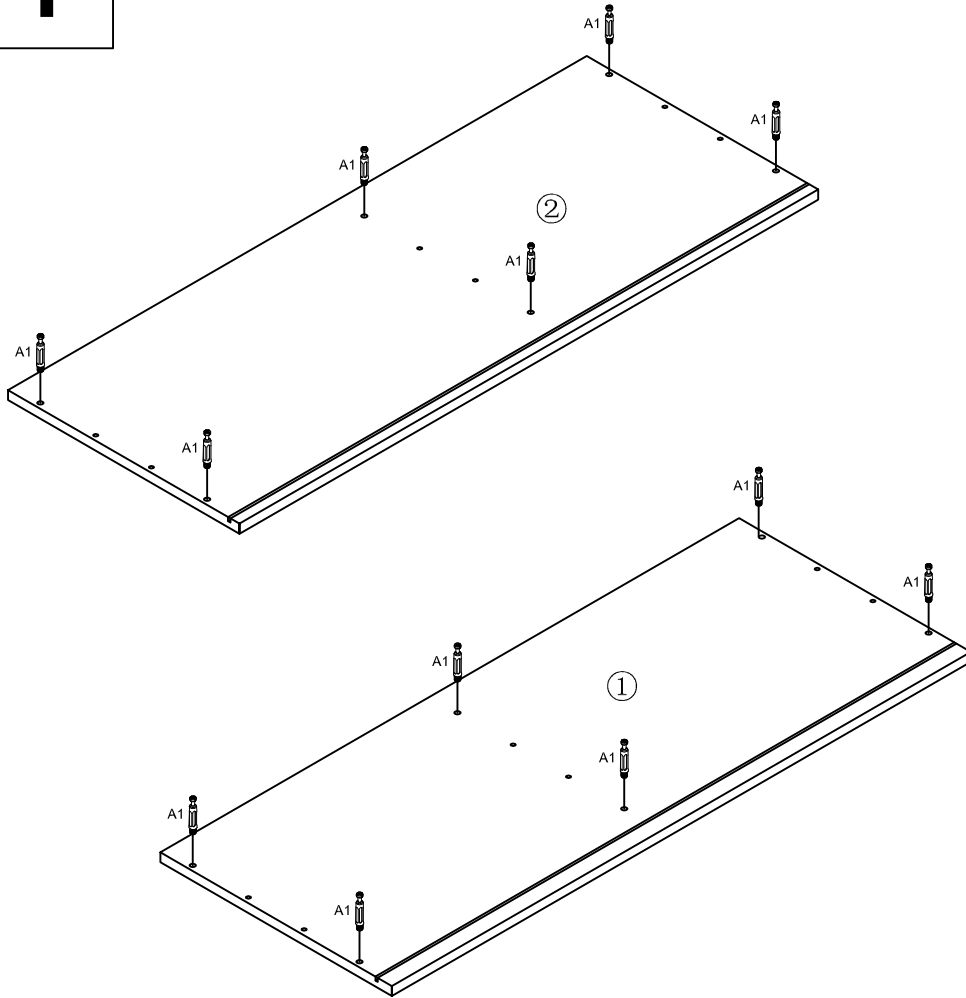
3

Please hand insert the pegs all the way in.



Cooperation of two people is recommended to accomplish this step.

4



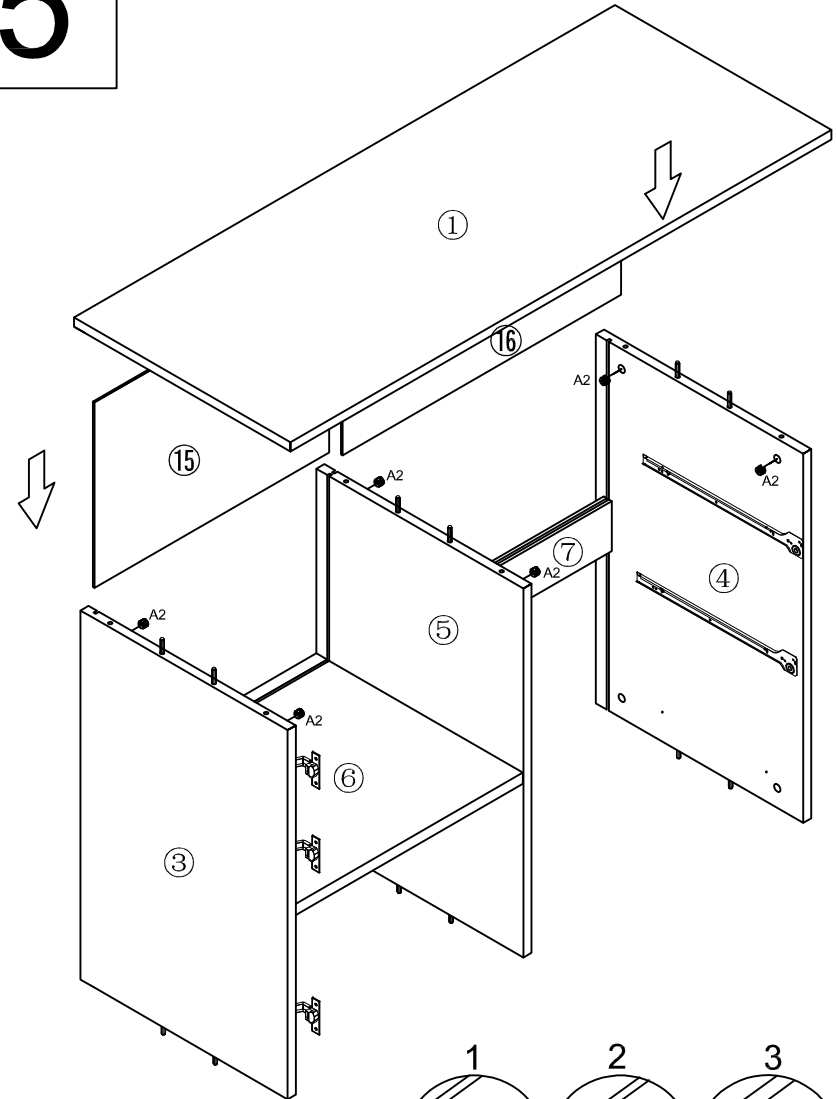
A1



12pcs

5

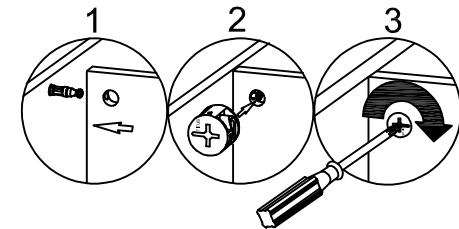
Cooperation of two people is recommended to accomplish this step.



A2

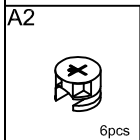
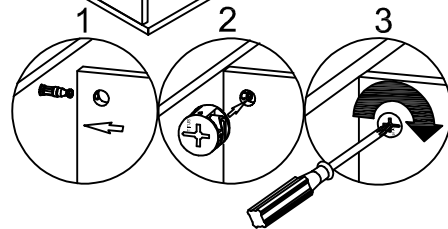
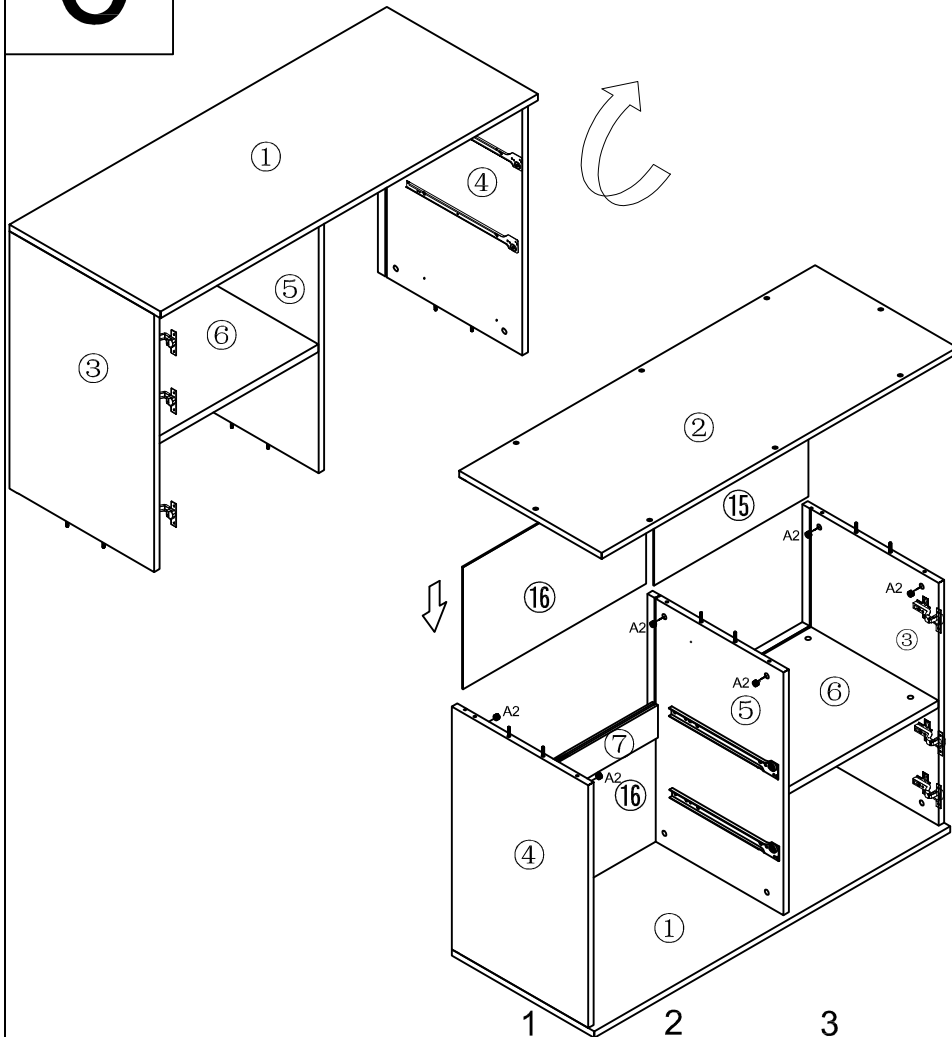


6pcs

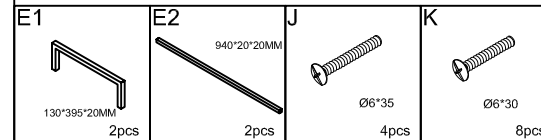
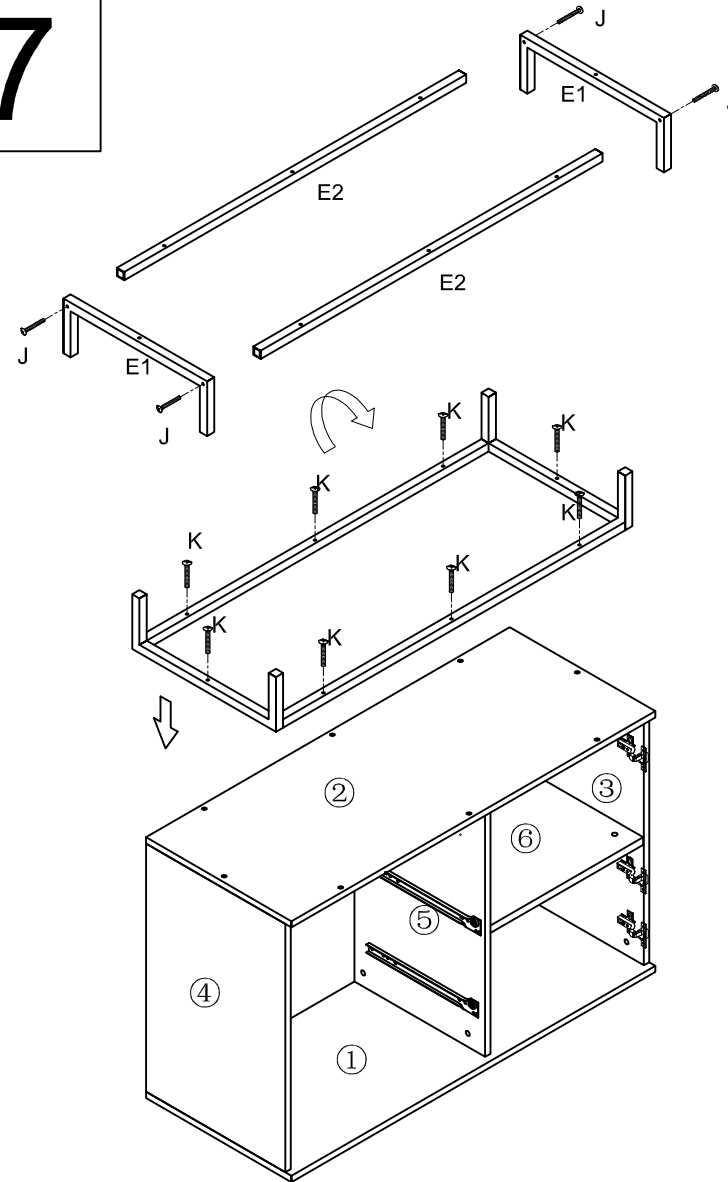


6

Cooperation of two people is recommended to accomplish this step.

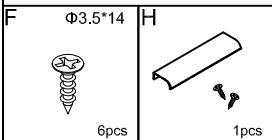
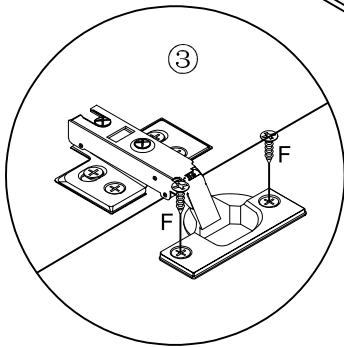
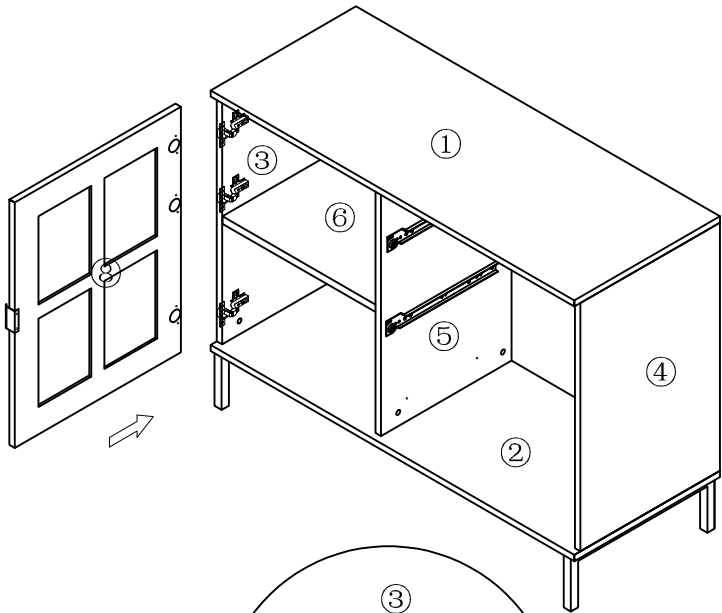
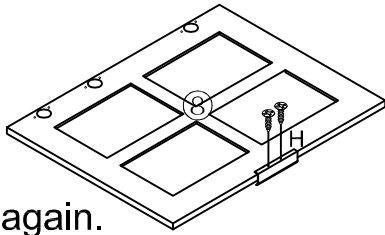


7

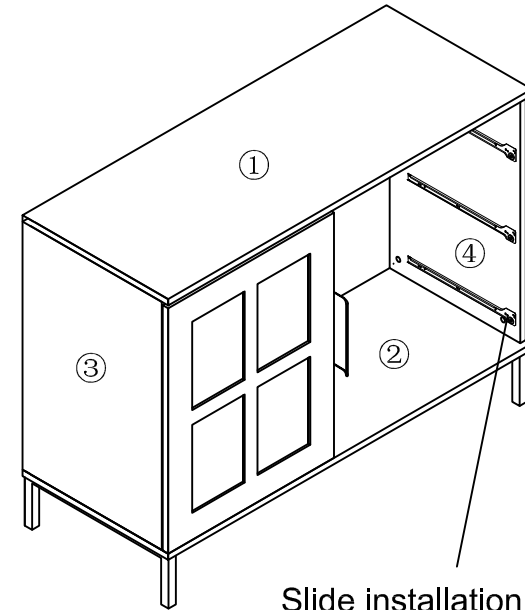
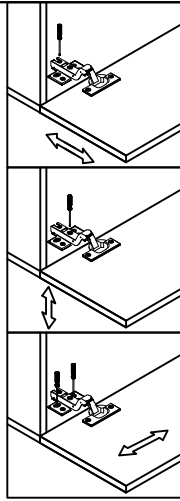


8

Flip it over again.

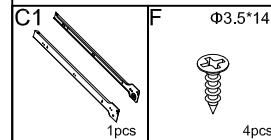
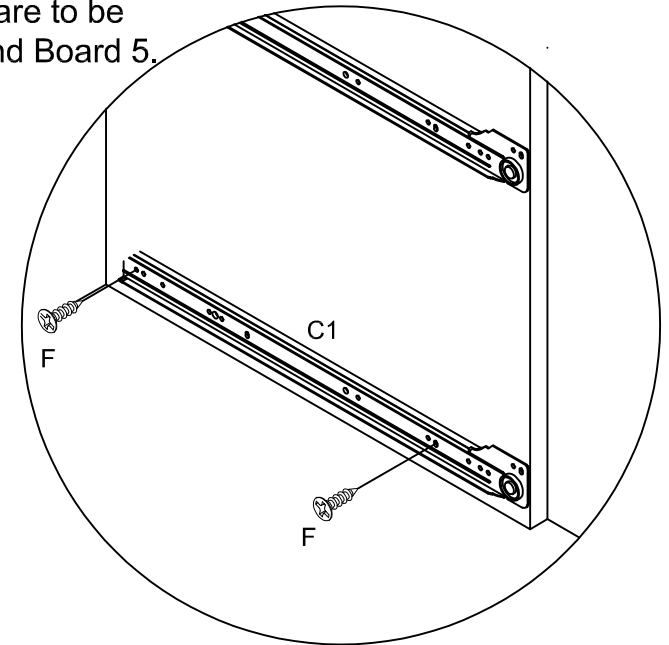


9

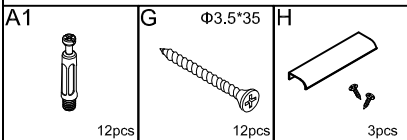
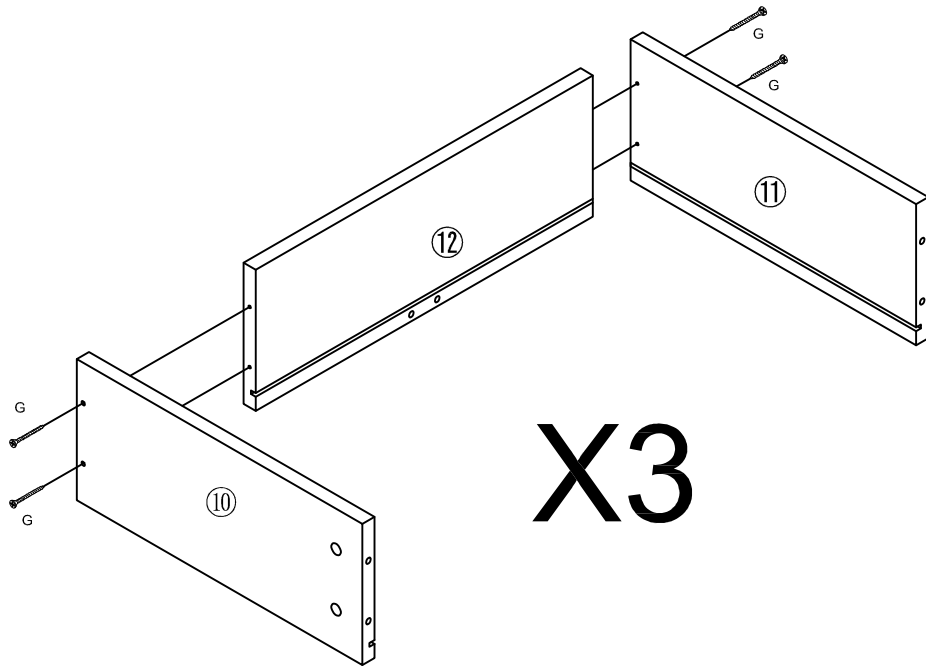
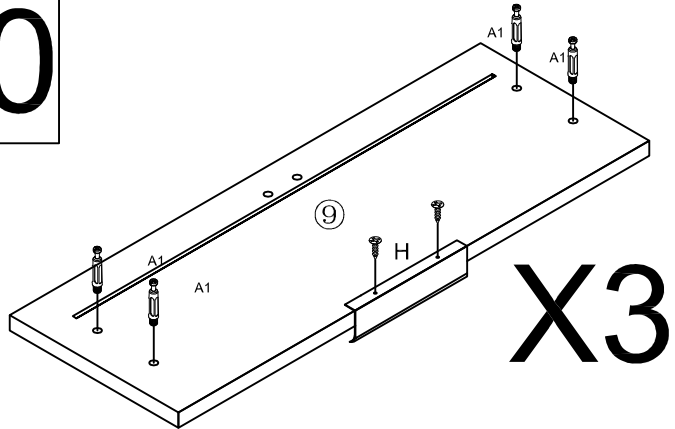


Slide installation details.

Slides (Hardware C1) are to be installed on Board 4 and Board 5.

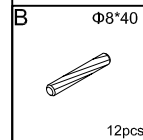
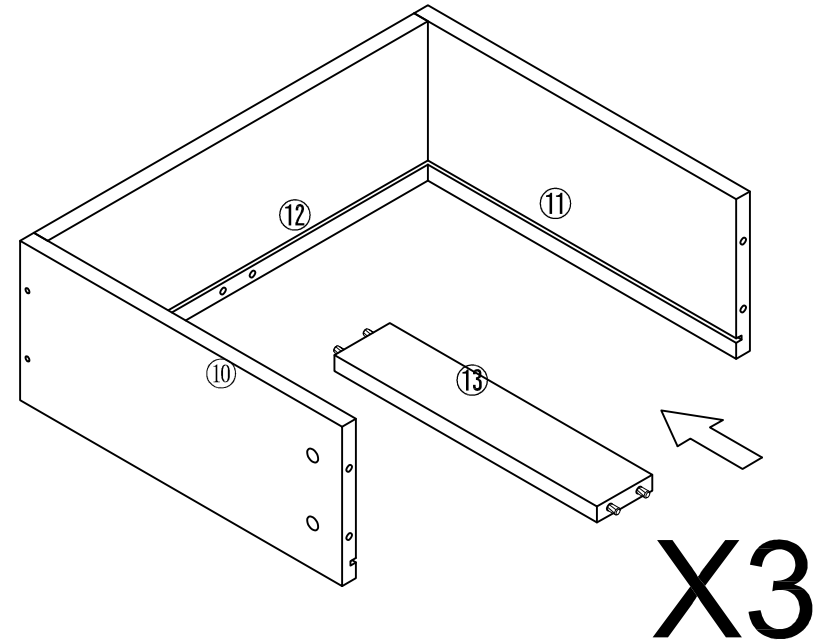
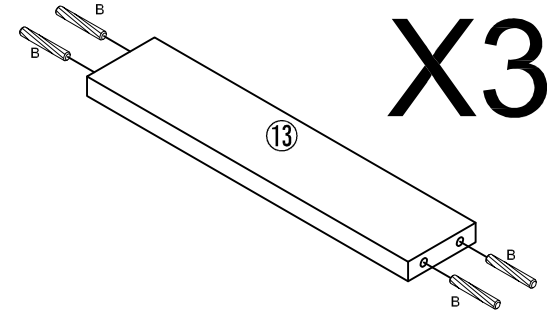


10

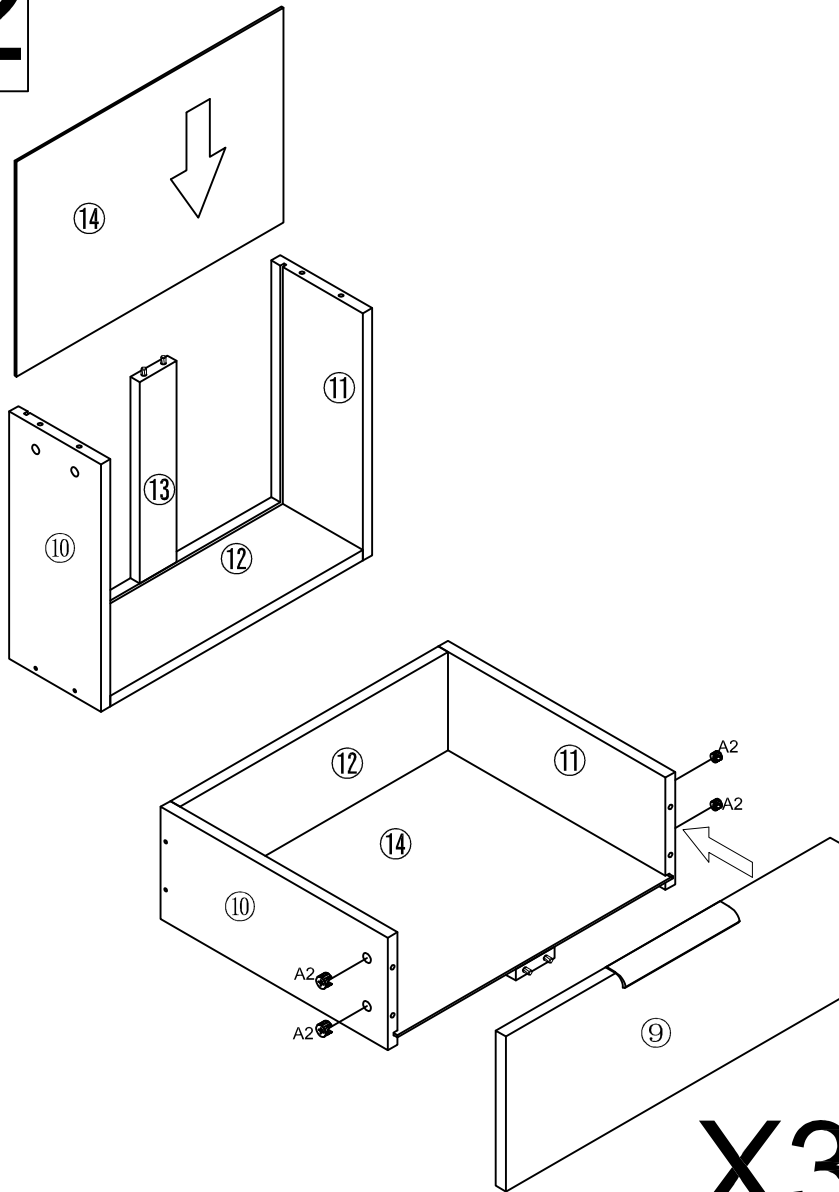


11

Please hand insert the pegs all the way in.



12



A2

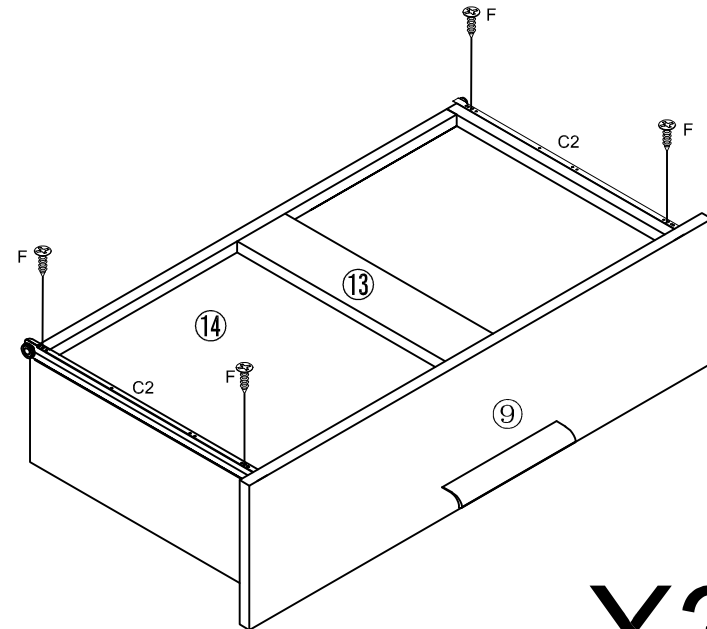


12pcs

X3

13

When install the Hardware C2, make sure the roller is positioned at the corner of the drawer and facing outward before screwing.



X3

C2



4pcs

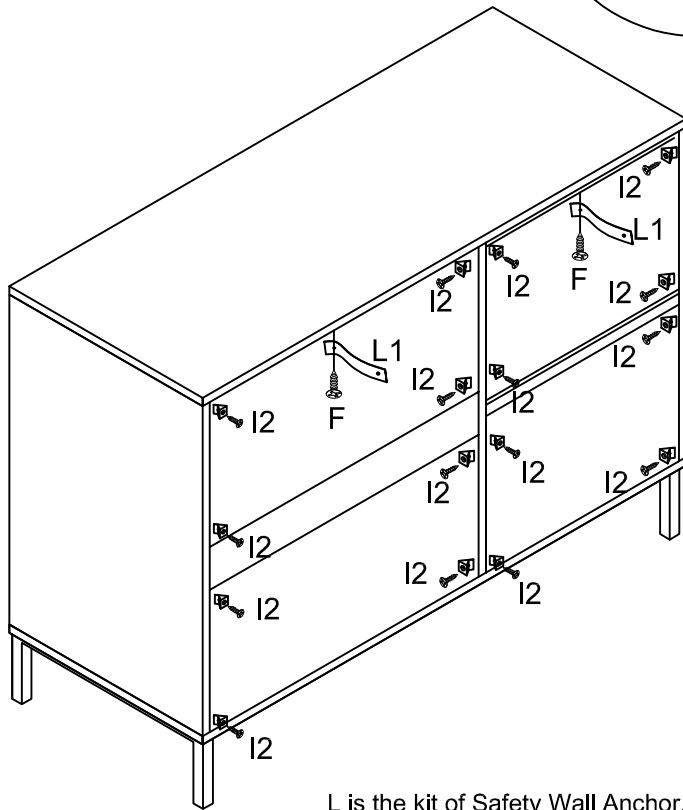
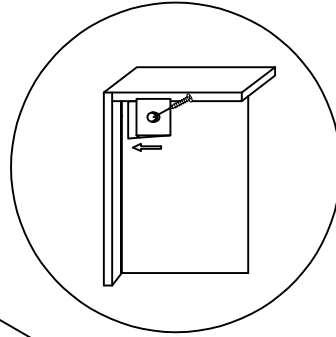
F

Φ3.5*14

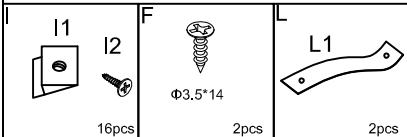


12pcs

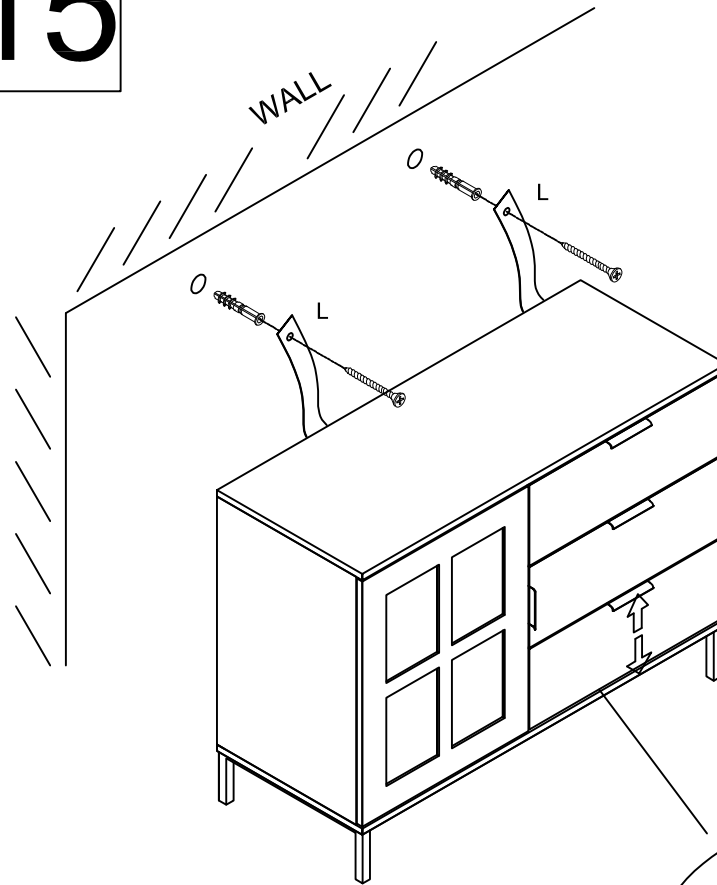
14



L is the kit of Safety Wall Anchor, installed to reduce the risk of tipping over.



15



The screws fixing the slides on Board 4 and Board 5 can be used to finely adjust the height of the slides, and thus the gaps between the drawer boards.

