

EMILE 5-HOLE TUB FILLER TRIM

FEATURES

- Solid brass construction
- Two lever handles
- High flow rate

COLORS/FINISHES

- #CP Polished Chrome
- #BN Brushed Nickel

INSTALLATION NOTES

This product is designed for deck-mount installation by a licensed plumbing professional. Please refer to the installation manual for further instructions.

REQUIRED PRODUCTS

OAN-20402 5-HOLE TUB FILLER ROUGH-IN VALVE

WARRANTY

- Five-year Limited Warranty for residential use
- One-year Limited Warranty for commercial use

SHIPPING INFORMATION

Package Dimensions
12" x 9 13/16" x 2 3/8"
Package Weight
6.6 lbs



MATERIAL

- Brass
- Zinc

FLOW RATE

7.5 gpm (28 L/min) @ 60 psi - spout
1.75 gpm (6.6 L/min) Max Flow @ 80 psi - handshower

PLEASE NOTE:

Final achievable flow rate is dependent on the outlets fitted, see relevant outlets (spouts, rose, sprays) for assembled product flow rate.

CODES/STANDARDS

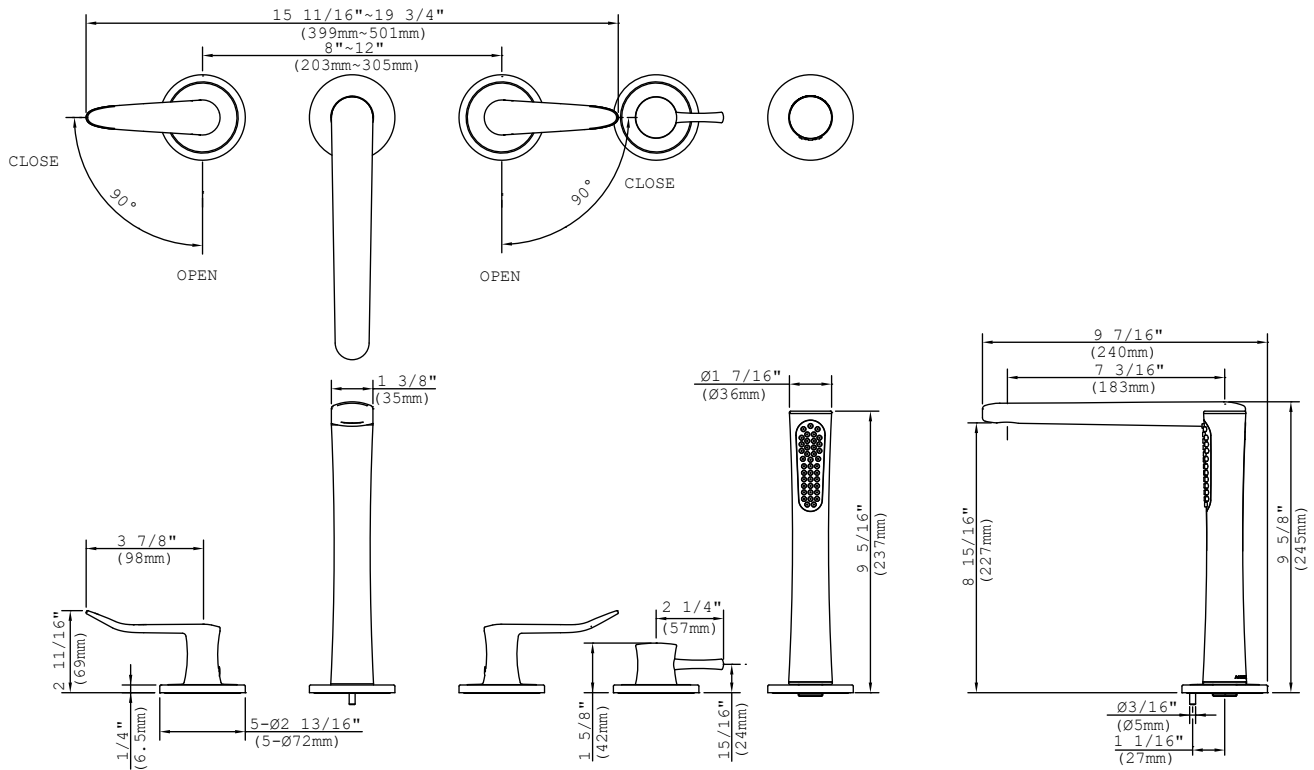
- Certifications: IAPMO(cUPC)
- Certifications: Watersense(EPA) - applies to the handshower only, EMI-17350



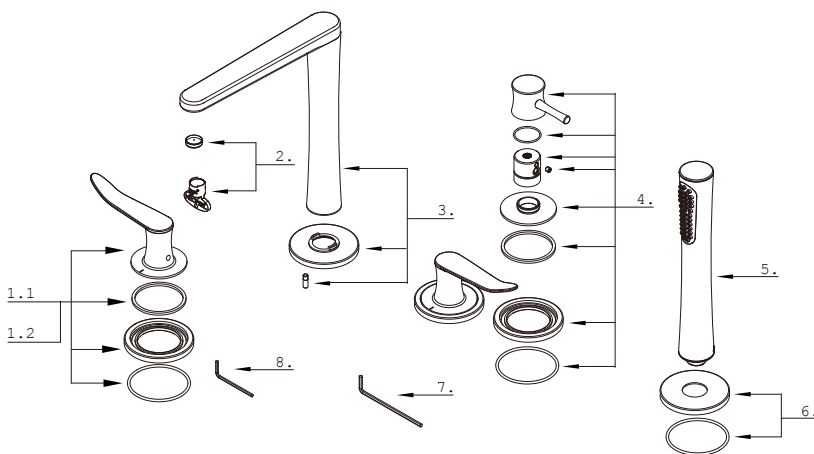
DATE: 11 MAY 2021



DIMENSIONS



SERVICE PARTS



- 1.1 Handle Assembly - Cold (A662A32C-T)
- 1.2 Handle Assembly - Hot (A662A32H-T)
- 2 Aerator Assembly (A66G291)
- 3 Spout Assembly (A666A05)
- 4 Diverter Handle Assembly (A662A33)
- 5 Hand Shower (EMI-17350)
- 6 Escutcheon Plate Assembly (A667A17)
- 7 Allen Key (A031000)
- 8 Allen Key (A031017)