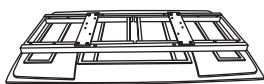


# ASSEMBLY INSTRUCTION



① x1

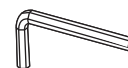


② x2



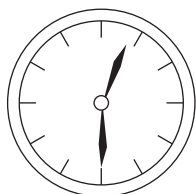
M8x20mm

③ x8

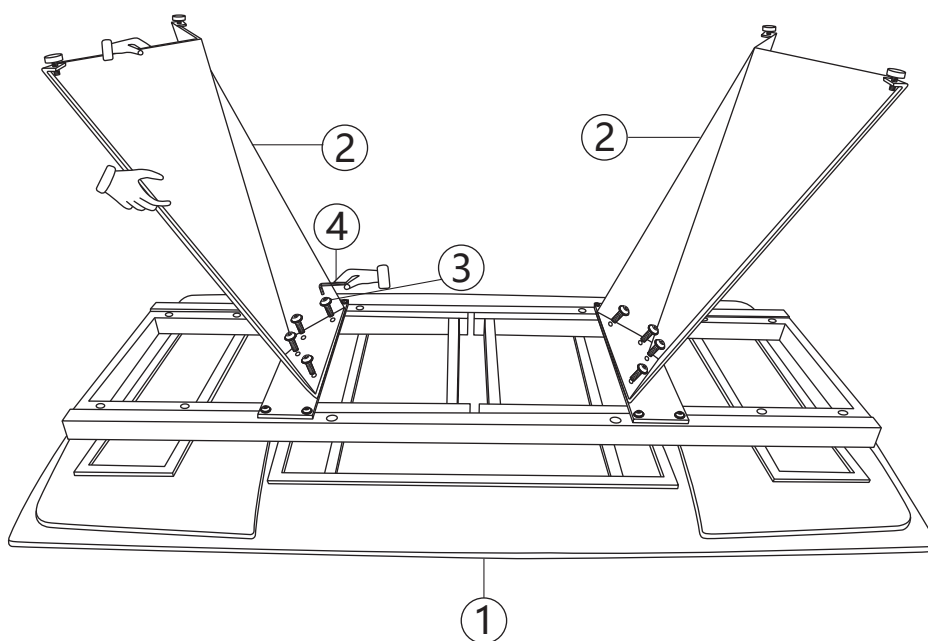


#6

④ x1



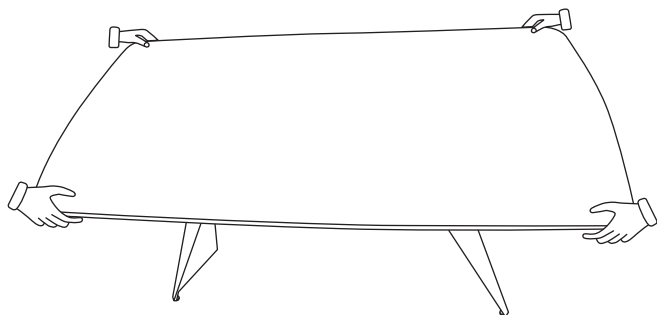
⑤ x1



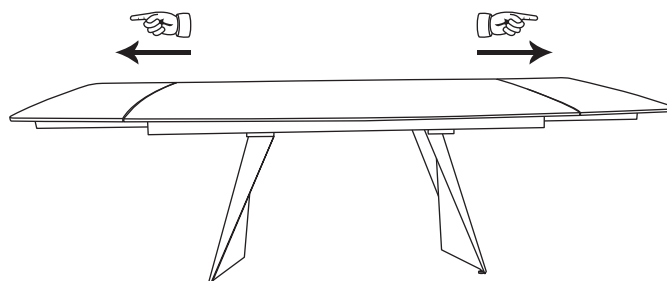
2



The goods are heavy, Prevent from being hit.



3



# Product FAQ

What if the table top is uneven?

(video for adjusting uneven table top).

