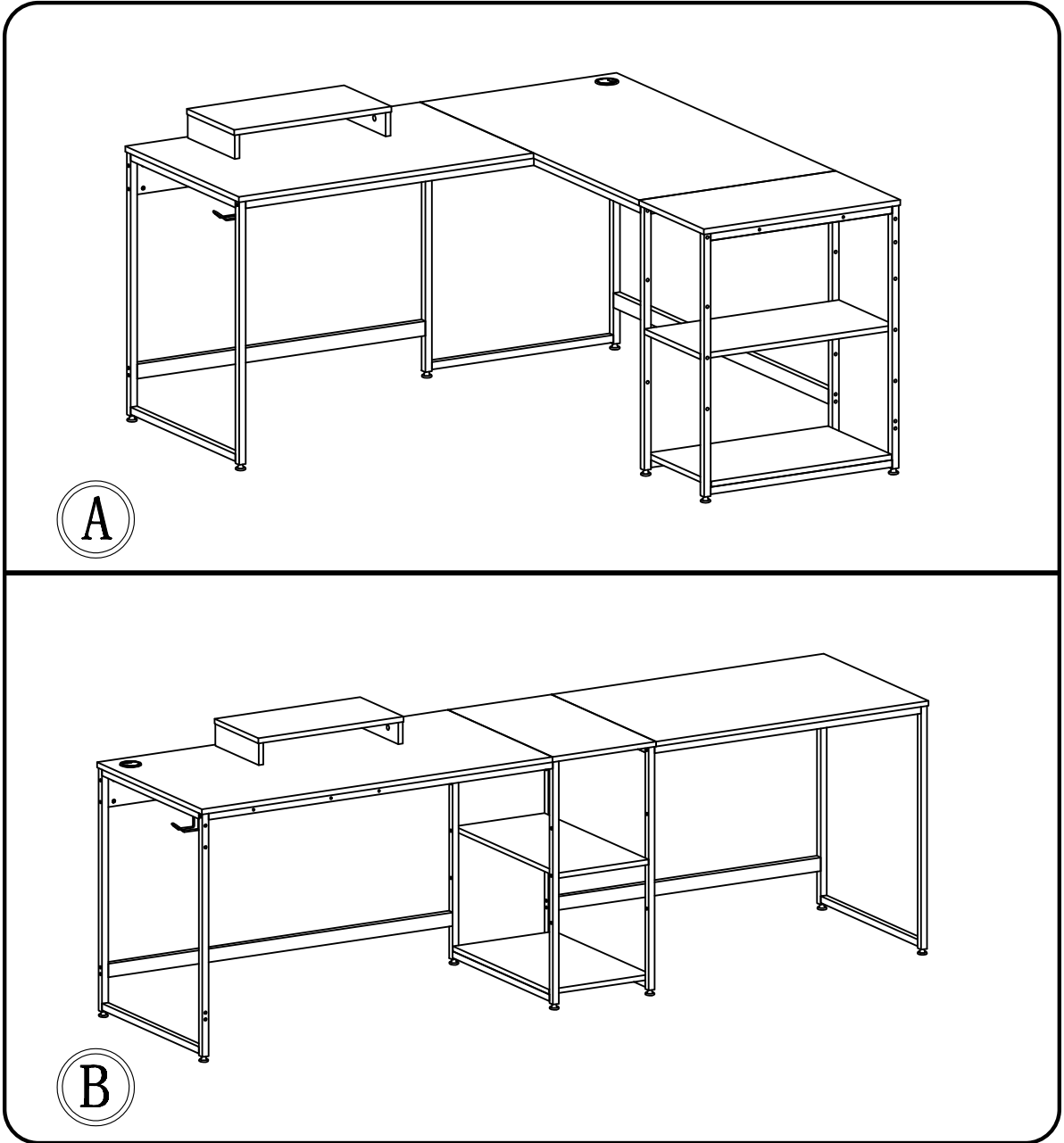


# ASSEMBLY INSTRUCTION



# HELPFUL HINTS

## ! ASSEMBLY TIP

### BEFORE YOU START

- Read through each step carefully and follow the proper order by reading this installation instructions.
- Separate and count all your parts on a clean surface to check if the tags and numbers are correct.
- Give yourself enough room for the assembly process.

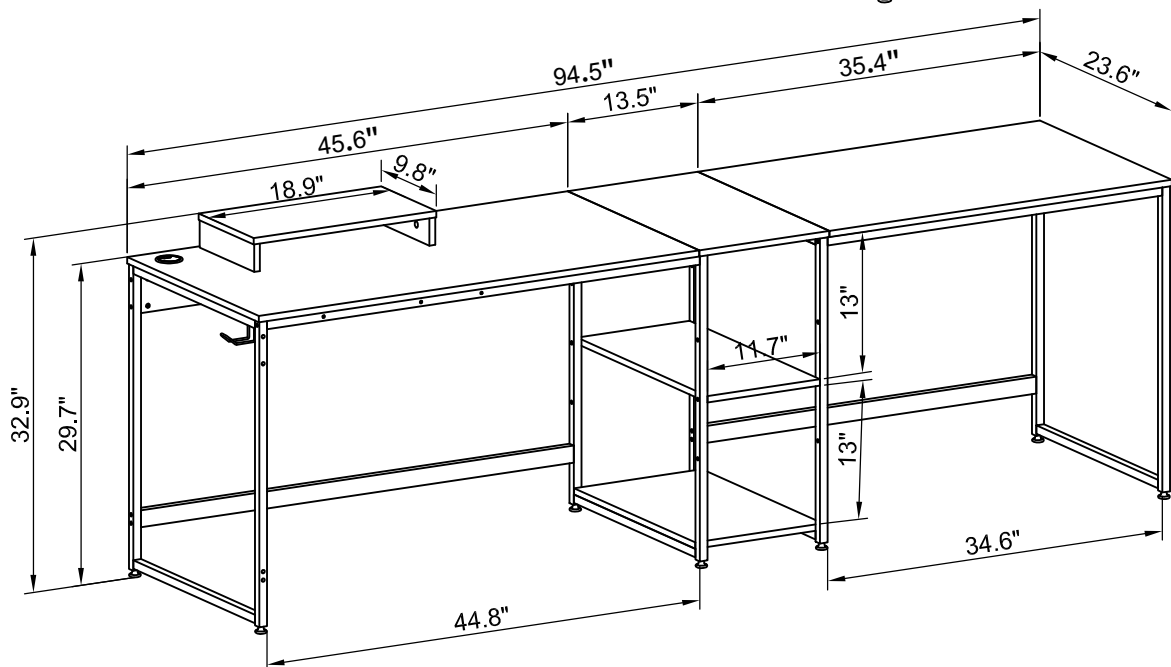
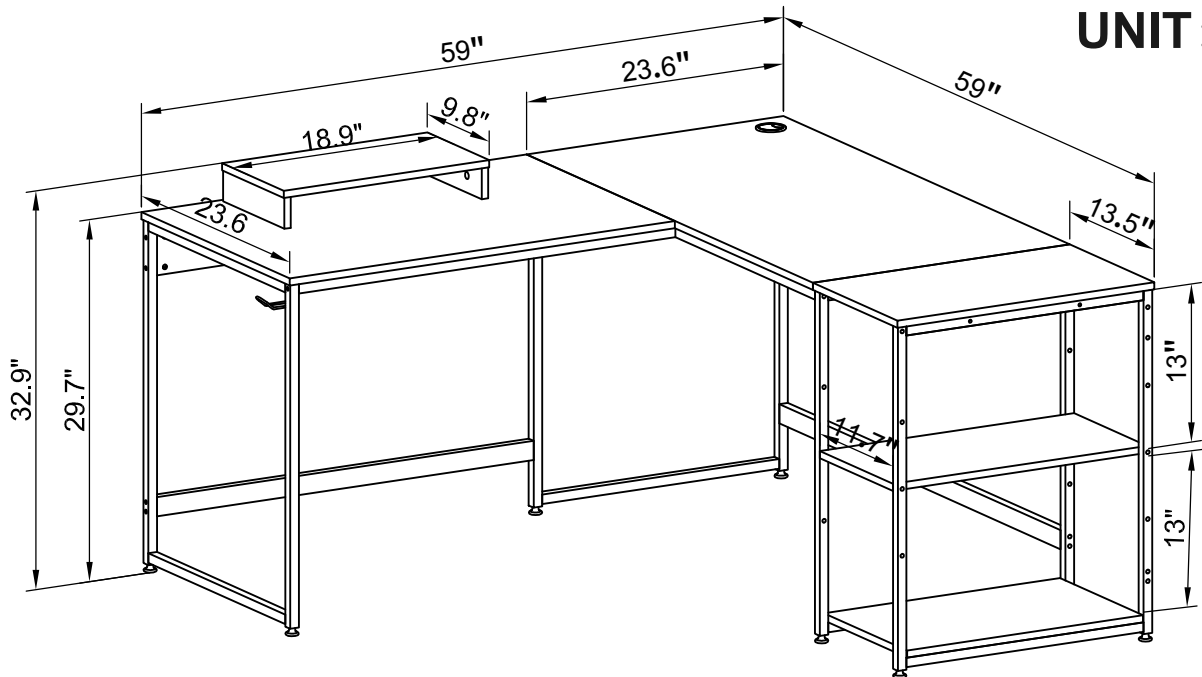
## ! CAUTION

- If using a power drill or power screwdriver for screwing please be aware to slow down and stop when screw is tight Failure to do so may result in stripping the screw.

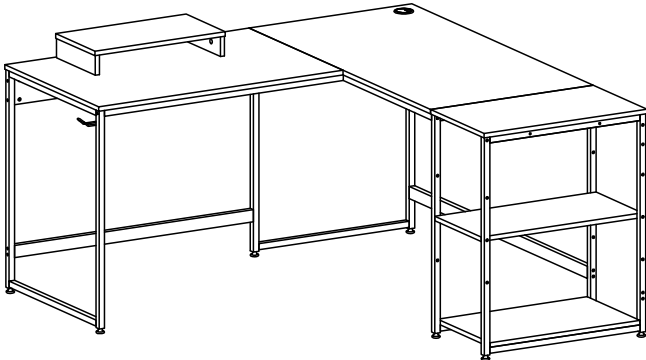
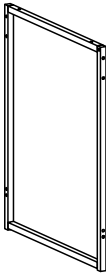
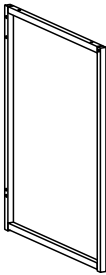
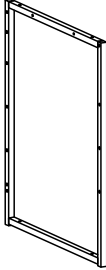




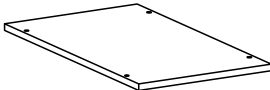
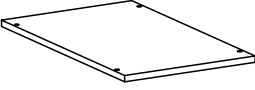
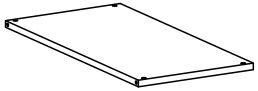


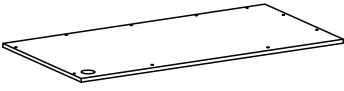
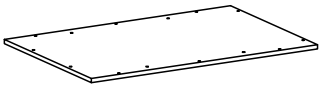


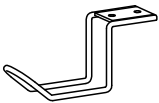



**! PEOPLE NEEDED FOR ASSEMBLY: 1-2**  
**ESTIMATED ASSEMBLY TIME: 1 HOUR**

- Open your item in the area you plan to keep it to avoid excessive heavy lifting.
- Identify, sort and count the parts before attempting assembly.
- Check the product packaging, whether the appearance is good.
- According to the product drawing, determine the product installation position and install according to the correct steps.
- Do NOT use harsh chemicals or abrasive cleaners on this item.
- Carefully push, pull, or drag your furniture.

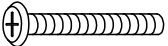
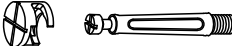
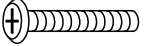
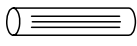




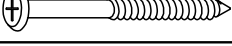

# INSTALLATION POINTS

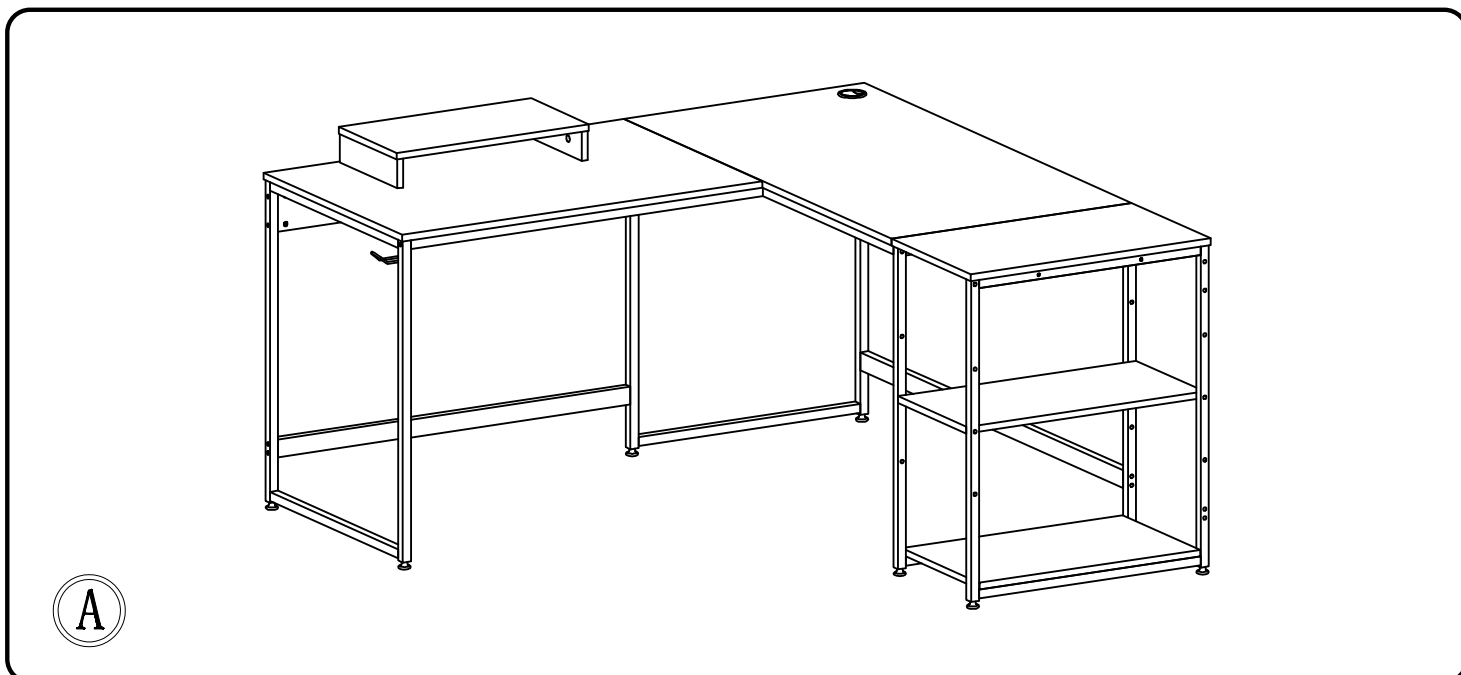
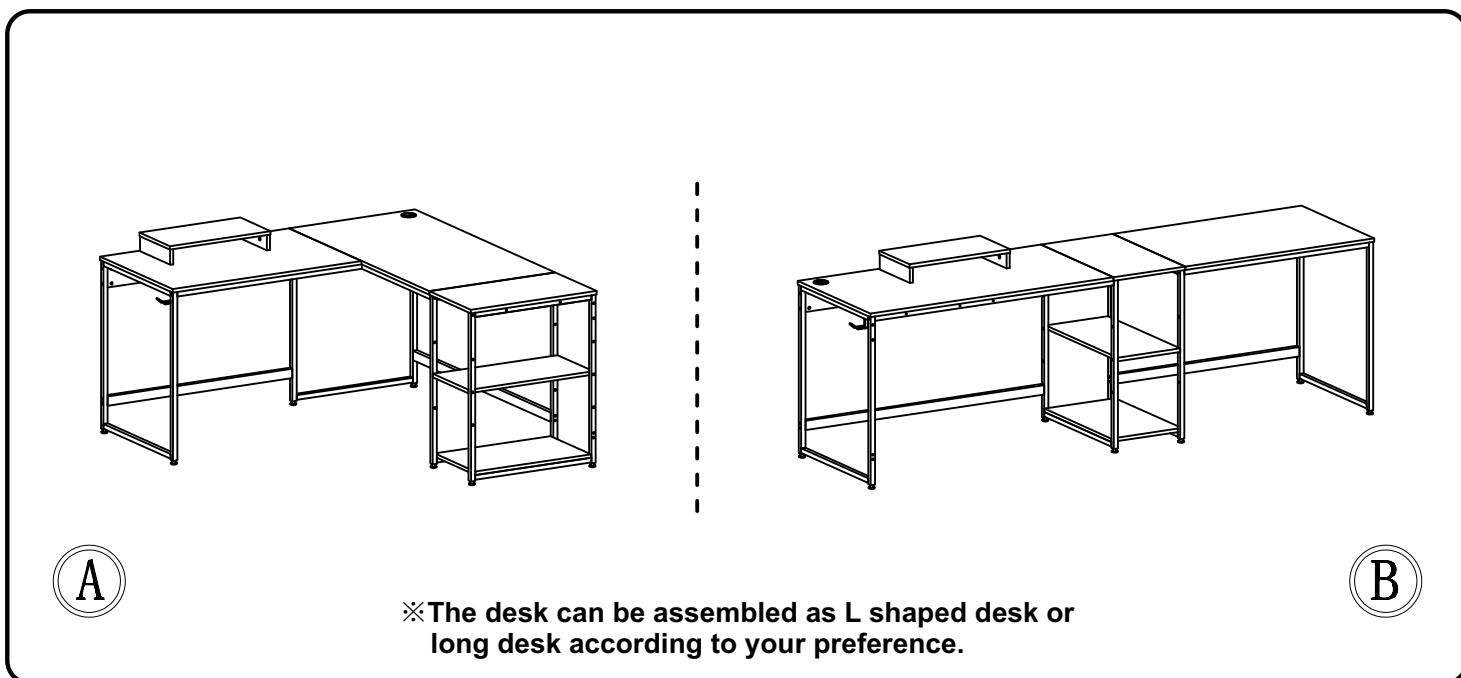


# PARTS LIST

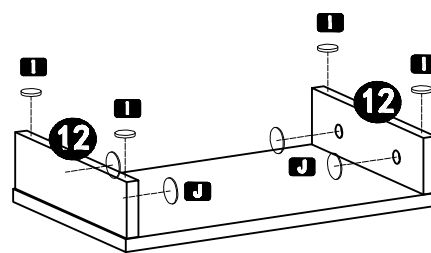
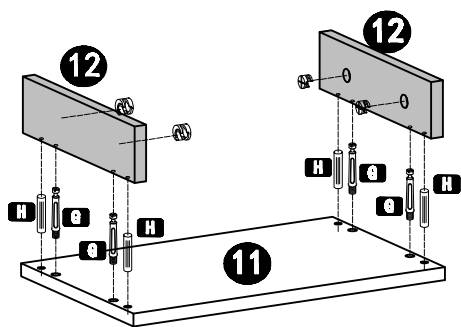
	<p><b>1</b></p>  <p>×1</p>	<p><b>2</b></p>  <p>×1</p>	
	<p><b>3</b></p>  <p>×2</p>	<p><b>4</b></p>  <p>×1</p>	
<p><b>5</b></p>  <p>×1</p>	<p><b>6</b></p>  <p>×1</p>	<p><b>7</b></p>  <p>×1</p>	<p><b>8</b></p>  <p>×1</p>
<p><b>9</b></p>  <p>×1</p>	<p><b>10</b></p>  <p>×1</p>	<p><b>11</b></p>  <p>×1</p>	<p><b>12</b></p>  <p>×2</p>
<p><b>13</b></p>  <p>×1</p>	<p><b>14</b></p>  <p>×1</p>	<p><b>15</b></p>  <p>×1</p>	<p><b>16</b></p>  <p>×1</p>
<p><b>17</b></p>  <p>×1</p>	<p><b>18</b></p>  <p>×8</p>	<p><b>19</b></p>  <p>×8</p>	<p><b>20</b></p>  <p>×1</p>

# ACCESSORIES LIST

No.	PICTURE	SIZE	QTY	No.	PICTURE	SIZE	QTY
<b>A</b>		M6x35	12	<b>G</b>		M6x35	4
<b>B</b>		M6x30	23	<b>H</b>		∅8x30	4
<b>C</b>		M6x12	14	<b>I</b>		∅15	4
<b>D</b>		M6	4	<b>J</b>		∅22	4
<b>E</b>		ST5x50	12				

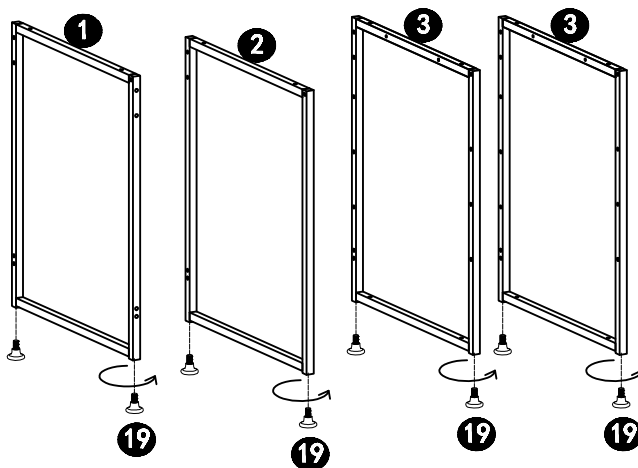


## STEP 1



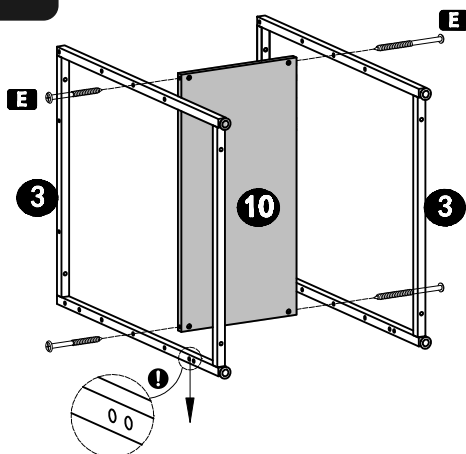
<b>G</b>		M6x35	4	<b>I</b>		φ15	4
<b>H</b>		φ8x30	4	<b>J</b>		φ22	4

## STEP 2



## STEP 3

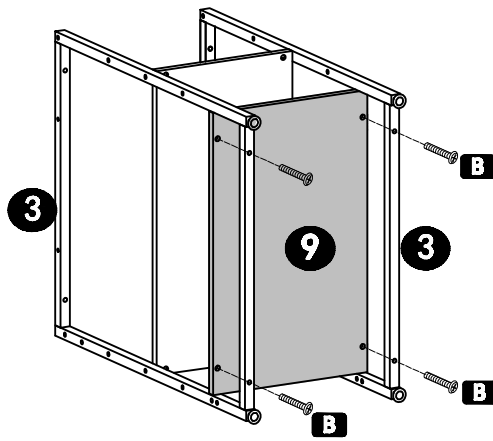
※ You can install the shelf board in different height to meet your need. Do not tighten the screws in this step.



<b>E</b>		ST5x50	4
----------	--	--------	---

**!** Attention: The side with 2 thread holes close face outward.

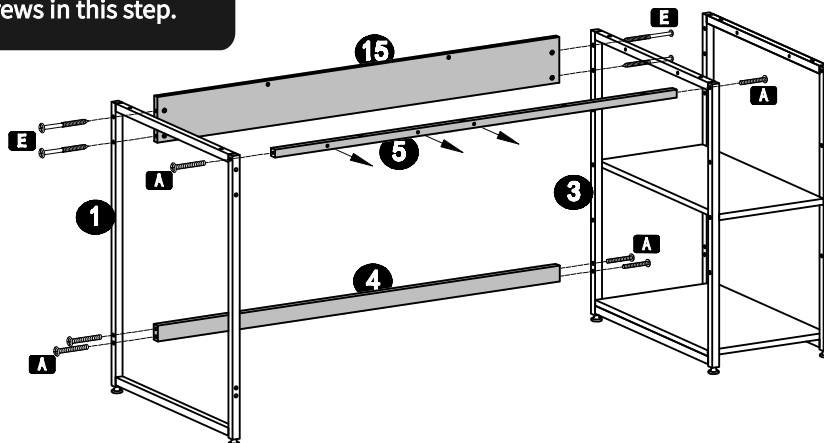
## STEP 4

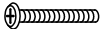
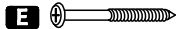


**B**  M6x30 4

## STEP 5

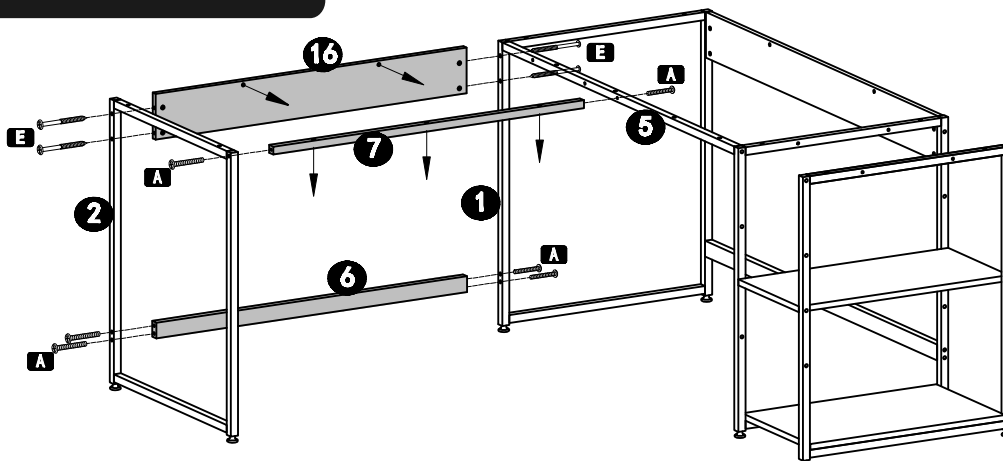
※ Please make sure correct screws are used in different parts.  
Do not tighten the screws in this step.



**A**  M6x35 6 **E**  ST5x50 4

## STEP 6

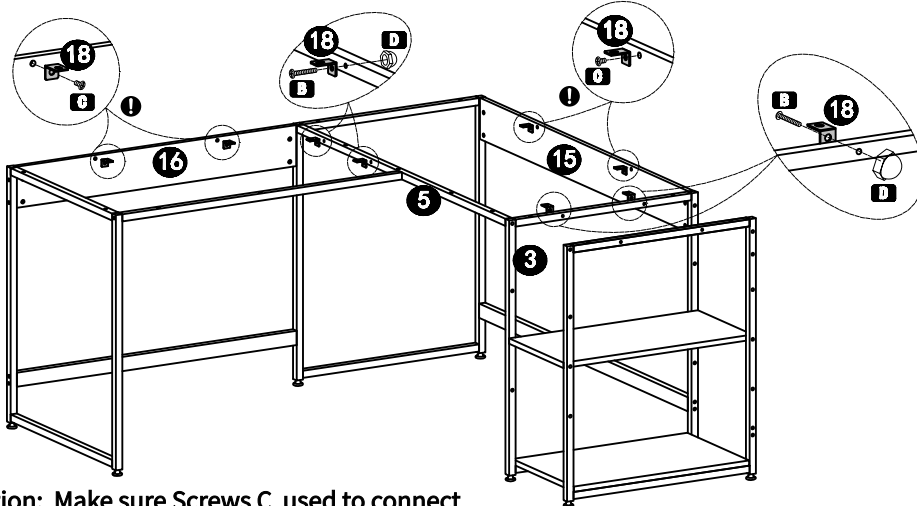
※ Please make sure correct screws are used in different parts.  
Do not tighten the screws in this step.



**A**

**A**  M6x35 6 **E**  ST5x50 4

## STEP 7



A

! Attention: Make sure Screws C used to connect the wood board and the corner bracket to avoid damage to the board.



M6x30 4



M6x12 4

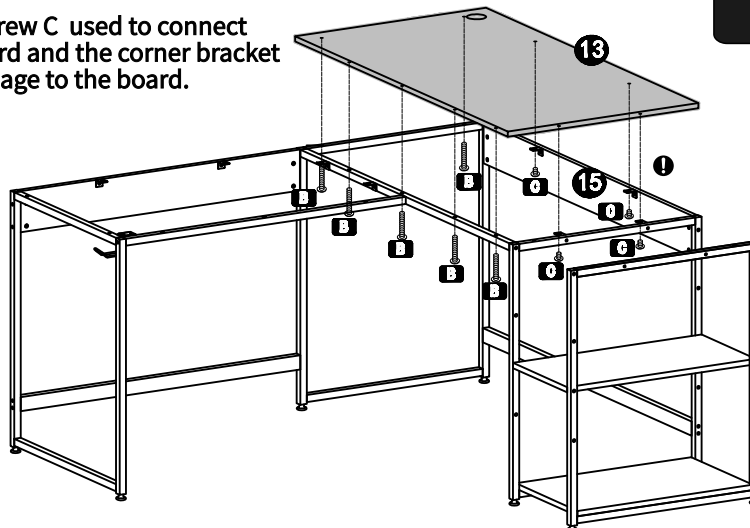


M6 4

## STEP 8

! Attention: Make sure Screw C used to connect desk top board and the corner bracket to avoid damage to the board.

※ Do not tighten the screws before step 9 finished



A



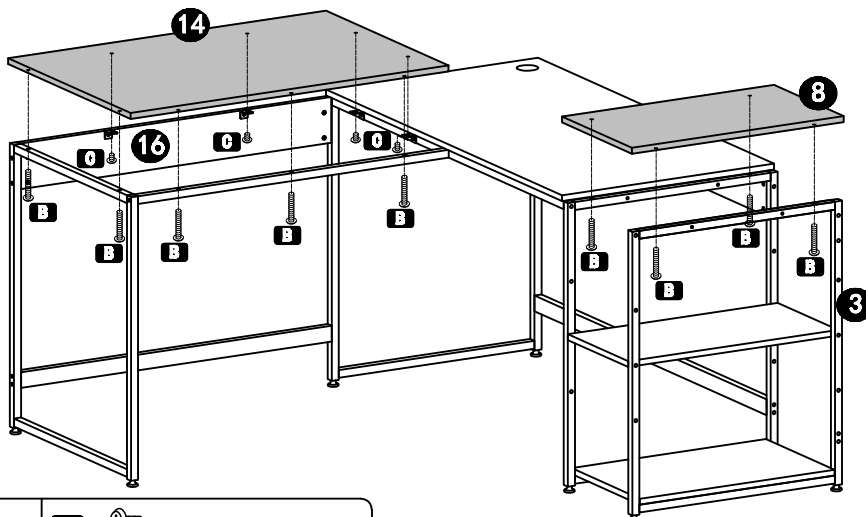
M6x30 6



M6x12 4

## STEP 9

※ Tighten all screws for the whole desk in this step when there is not gap.



A

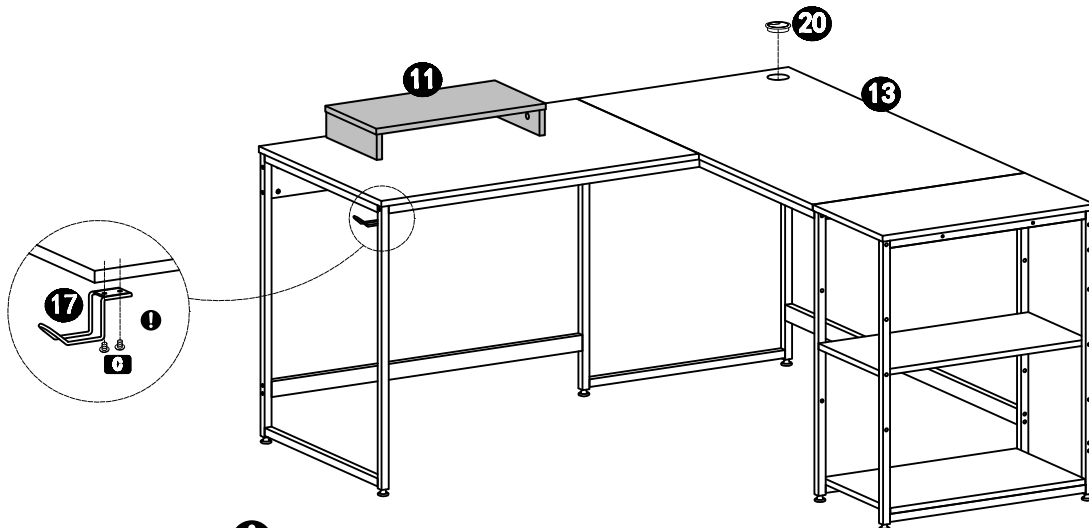


M6x30 9



M6x12 4

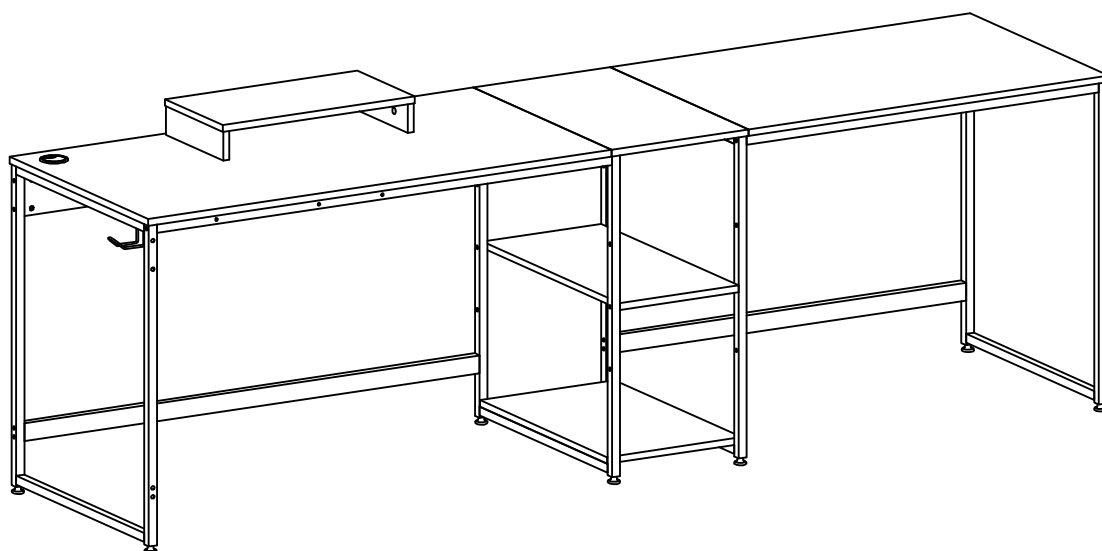
# STEP 10



A

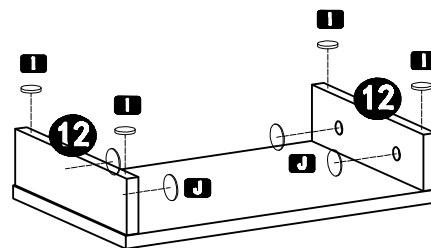
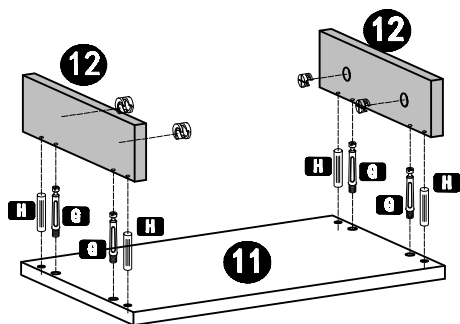
**!** Attention: Please make sure screws C used in this step to avoid damage to wood board.

**C**  M6x12 2



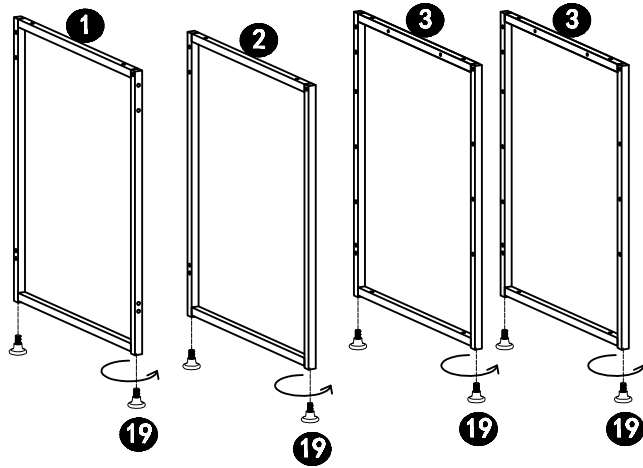
B

# STEP 1



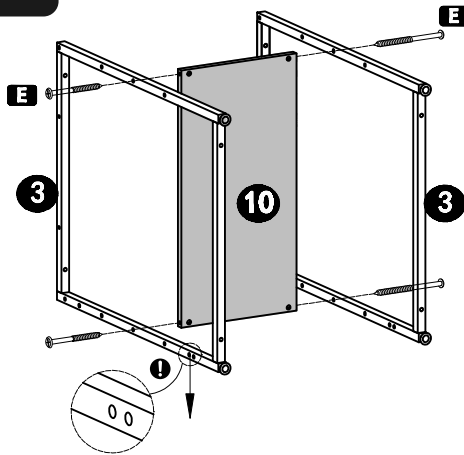
<b>G</b> 	M6x35	4	<b>I</b> 	∅15	4
<b>H</b> 	∅8x30	4	<b>J</b> 	∅22	4

## STEP 2



## STEP 3

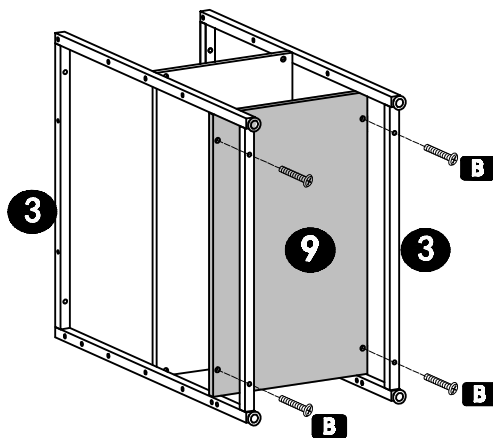
※ You can install the shelf board in different height to meet your need. Do not tighten the screws in this step.



**E**  ST5x50 4

**!** Attention: The side with 2 thread holes close face outward.

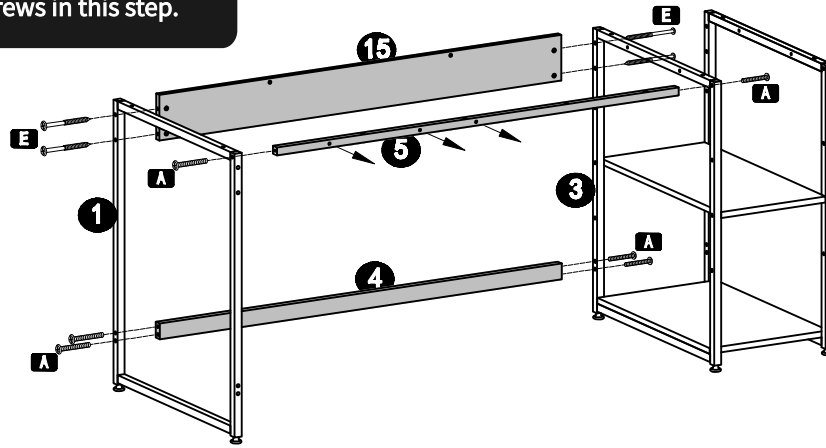
## STEP 4



**B**  M6x30 4

## STEP 5

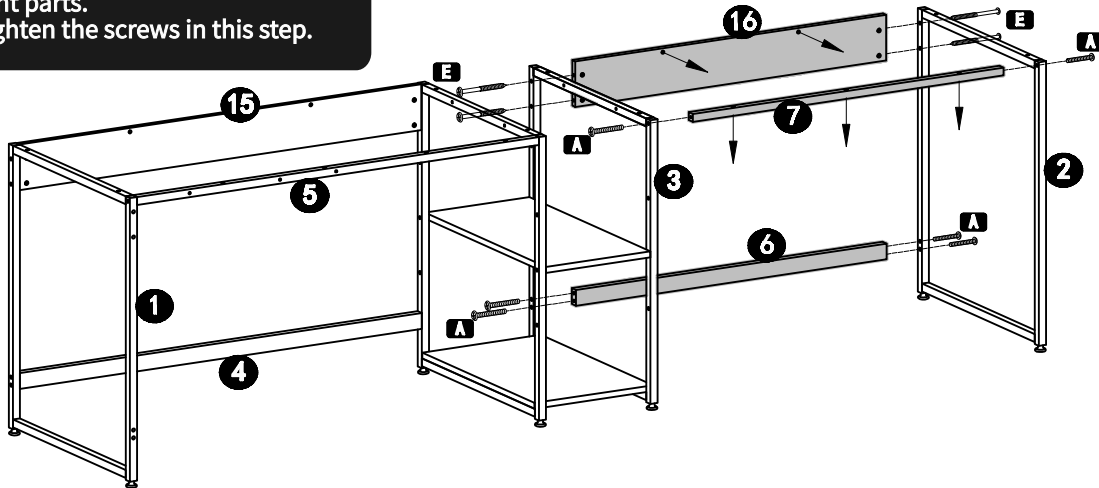
※ Please make sure correct screws are used in different parts.  
Do not tighten the screws in this step.



**A** M6x35 6    **E** ST5x50 4

## STEP 6

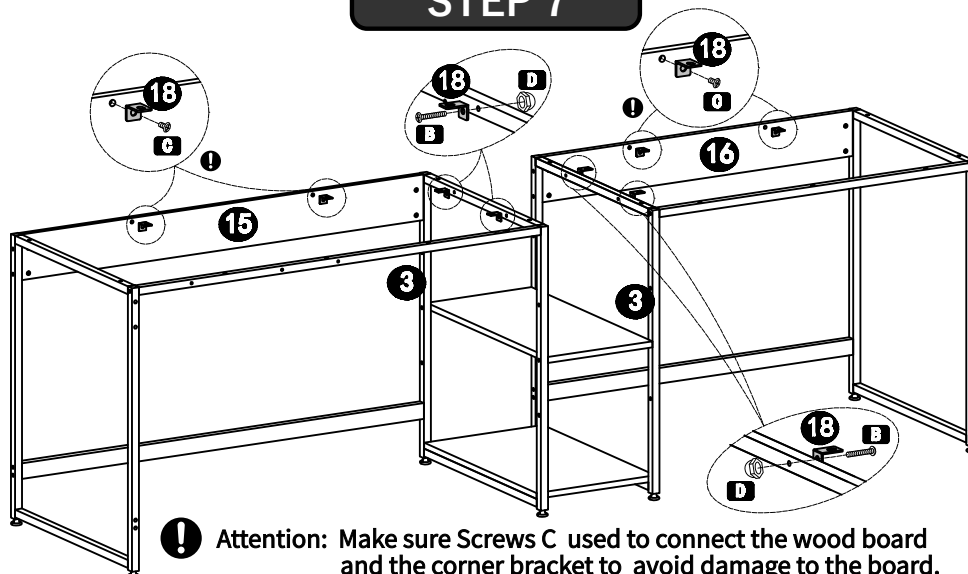
※ Please make sure correct screws are used in different parts.  
Do not tighten the screws in this step.



**A** M6x35 6    **E** ST5x50 4

(B)

## STEP 7



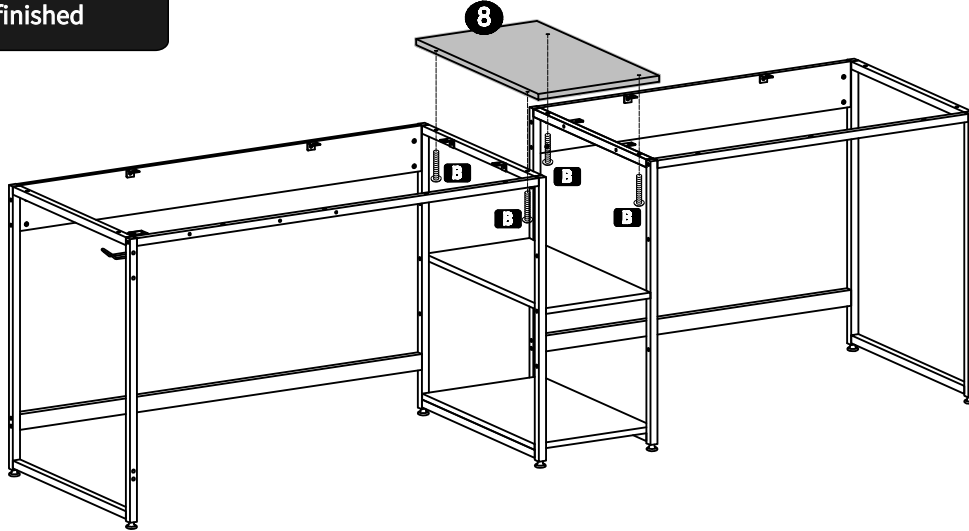
**!** Attention: Make sure Screws C used to connect the wood board and the corner bracket to avoid damage to the board.

**B** M6x30 4    **C** M6x12 4    **D** M6 4

(B)

## STEP 8

※ Do not tighten the screws before step 9 finished

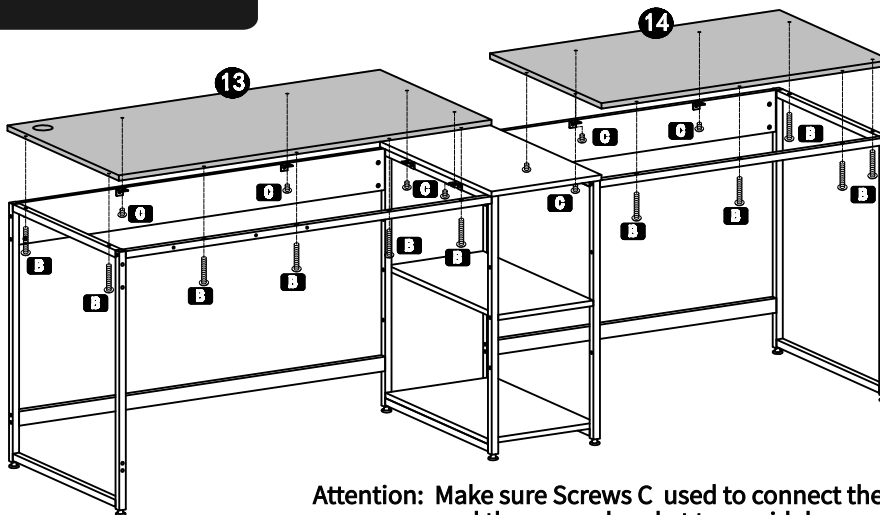


(B)

**B**  M6x30 4

## STEP 9

※ Tighten all screws in this step when there is not gap.

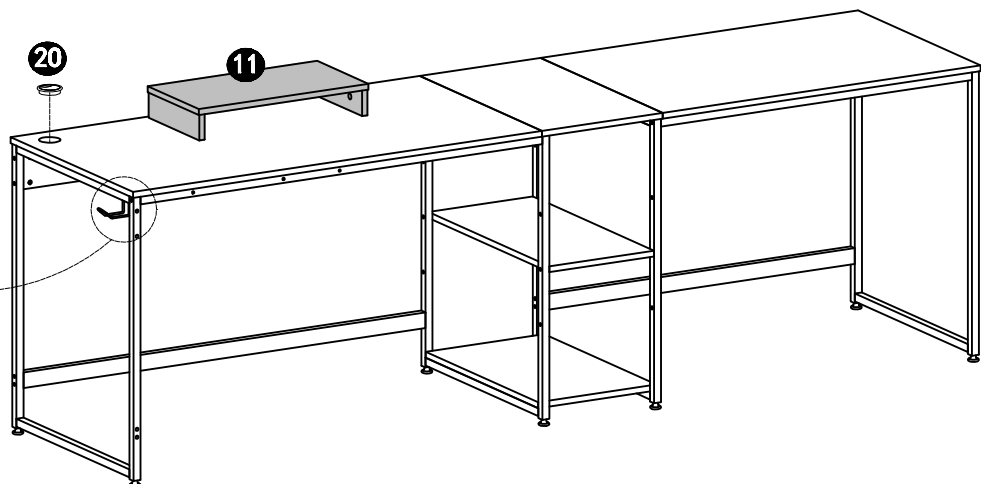
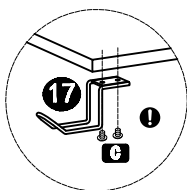


Attention: Make sure Screws C used to connect the wood board and the corner bracket to avoid damage to the board.

(B)

**B**  M6x30 11 **C**  M6x12 8

## STEP 10



(B)

**C**  M6x12 2

! Attention: Please make sure screws C used in this step to avoid damage to wood board.