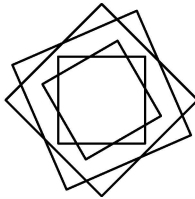
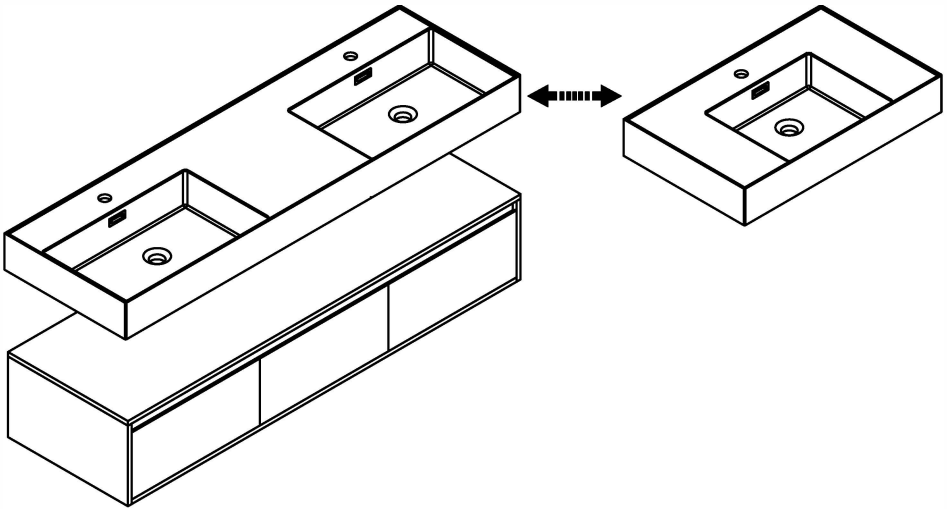


INSTALLATION MANUAL


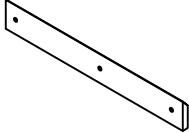






You can choose between 30 inch or 60 inch basin according to your own needs



Thank you for shopping with us!

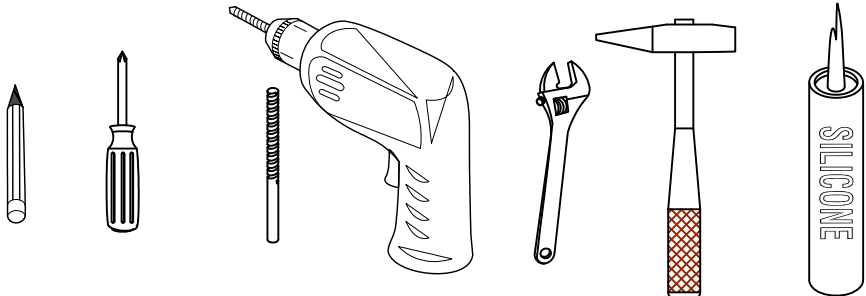
We encourage you to take a few minutes to go through this booklet. It contains important information on installation and care tips to keep your furniture looking as good as new.

Hardware

NO.	Draw	QTY	NO.	Draw	QTY
A	 Plastic anchor(Ø12mm)	4	F	 45 degree wall hanging strip	2
B	 Screws for fix on the wall with basin	4			
C	 Plastic gasket	4	G	 Plastic anchor(Ø6mm)	6
D	 Metal gasket	4	H	 Screws(Ø4 x 68mm)	6
E	 Metal nut	4			

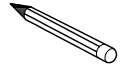
The amount of accessories used depends on the type of basin used, if you purchased 30 inches, accessories have surplus.

Recommended tools

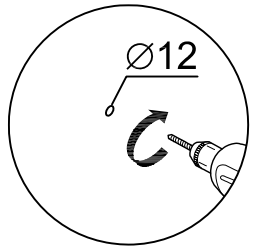
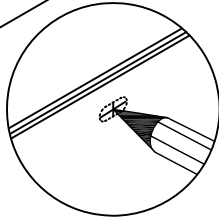
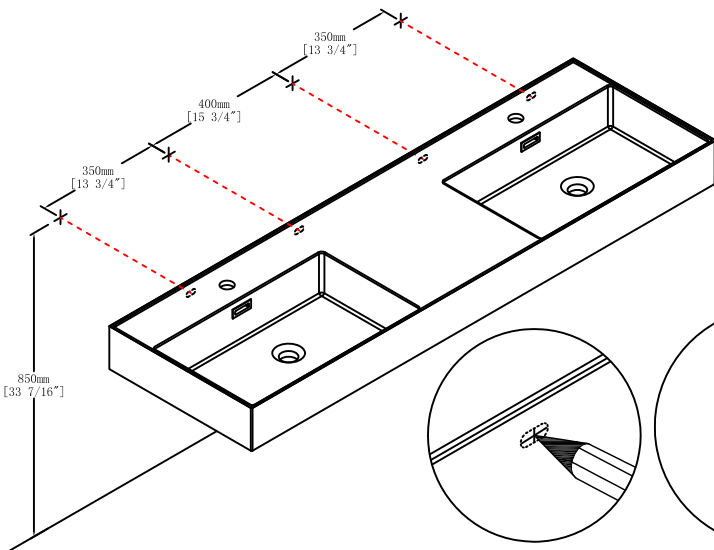


Step 1

If you choose a 30inch basin, follow this procedure as well.



Tool



Step 2

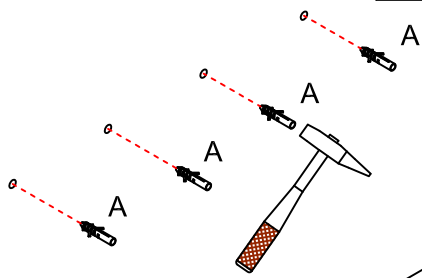


x4

A



Tool

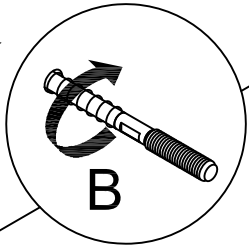
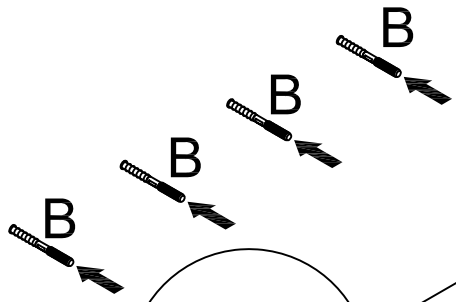


Step 3

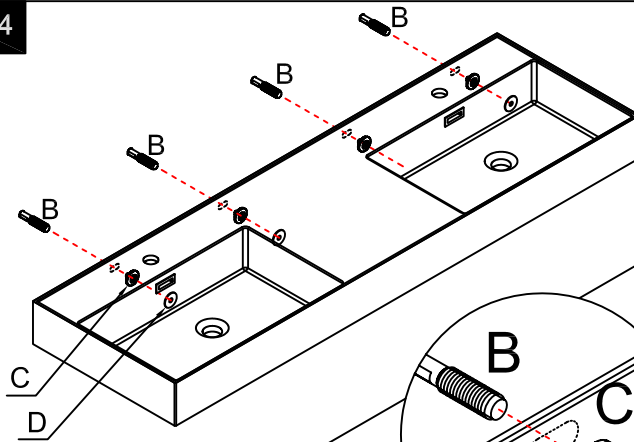




x4

B



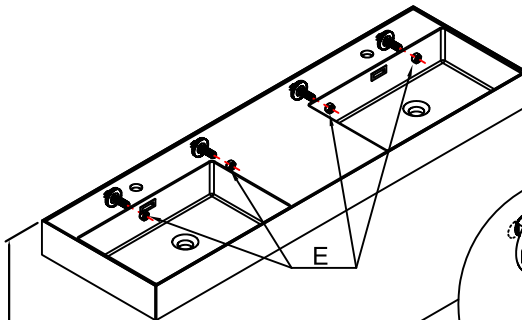
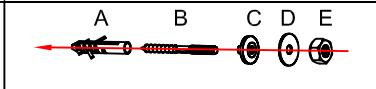
Step 4





	x4
C	
	x4
D	

Place the basin in position against the wall, locating the fixing bolts through the holes in the rear of the basin. Push a plastic washer, followed by a metal washer, onto each fixing bolt.

Step 5

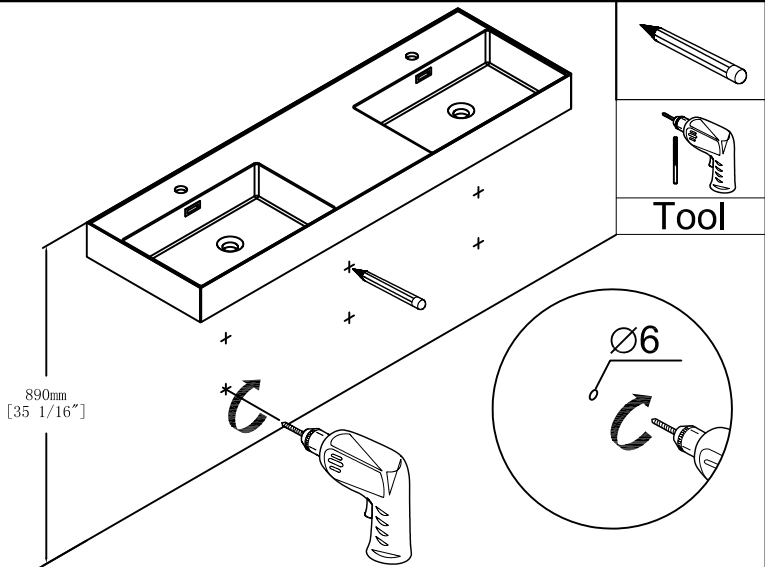


	x4
E	
	
Tool	

850mm
[33 7/16"]

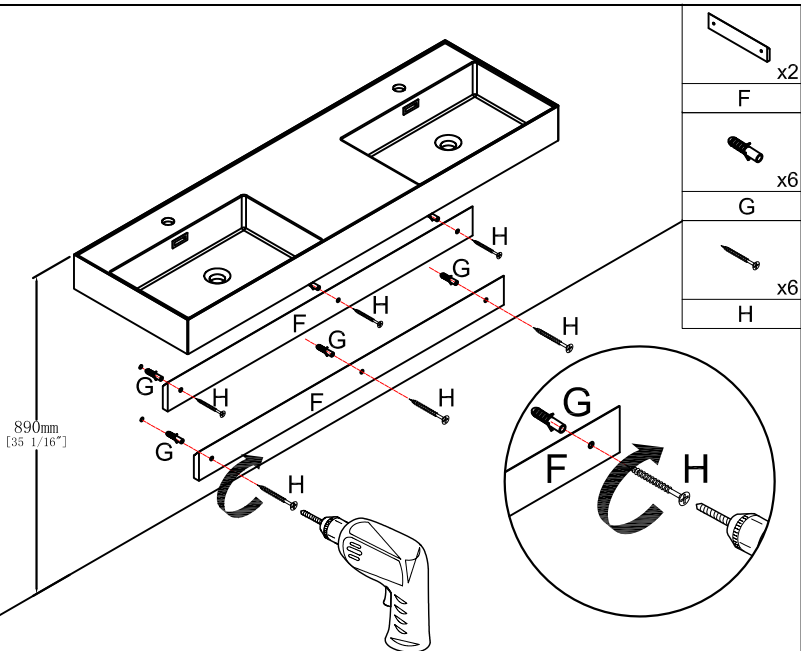
Screw a metal nut onto each fixing bolt to secure the basin.
Caution: Do not overtighten, as this may damage the basin.

Step 6

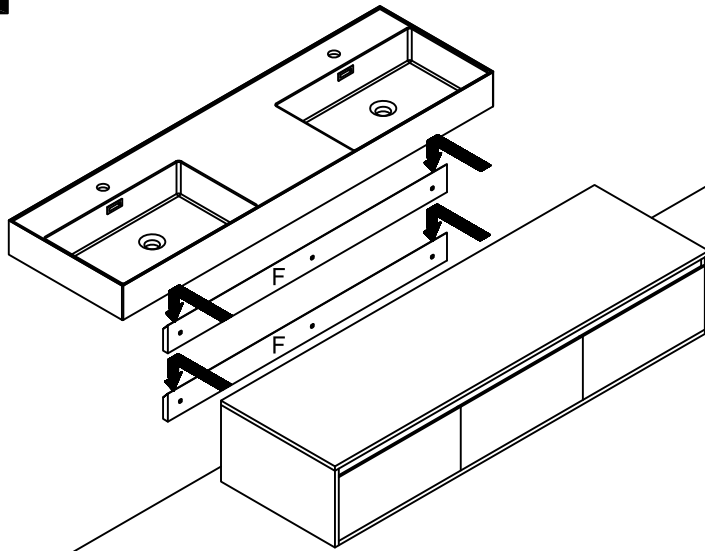


The installation height and left and right positions of the drawer cabinet can be positioned as needed.

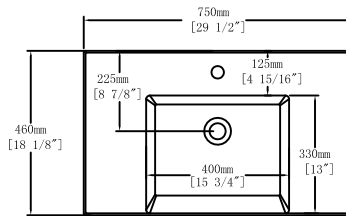
Step 7



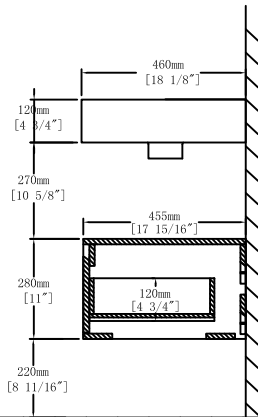
Finished



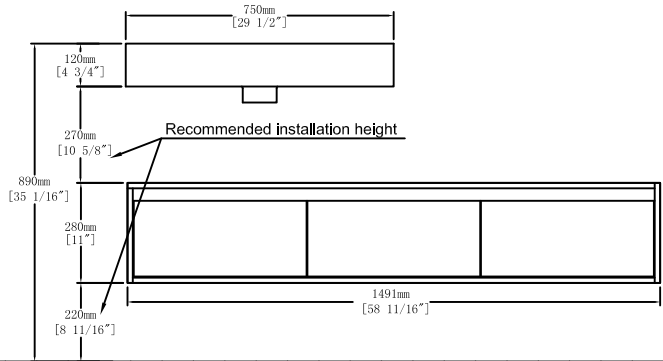
Dimensions



Top View



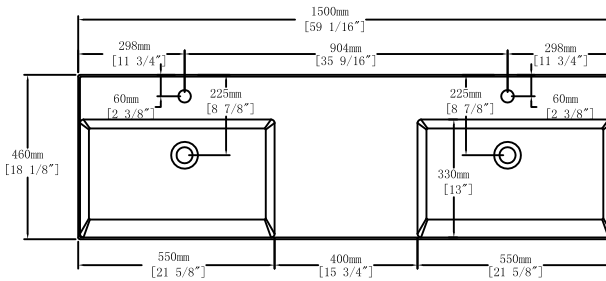
Side View



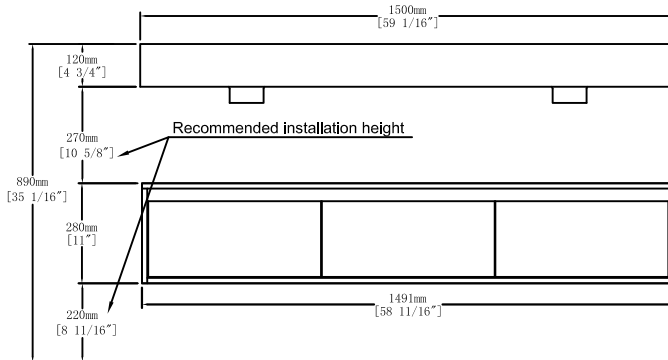
Front View

Recommended installation height

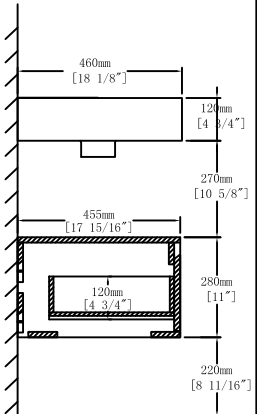
Dimensions



Top View



Front View



Side View

CARE CLEANING AND MAINTENANCE

1. Dust regularly with a soft , dry cloth.
2. Avoid the use of all chemicals household cleaners, abrasives, or cleaners that contain lemon, vinegar, or other acids that may damage the finish.
3. Excessive exposure to sunlight and extreme changes in temperature and moisture can damage wood furniture.
4. The sink is fragile, please pay attention to maintaining its appearance.
5. Do not place hot appliances, such as curling irons and hot hair dryers directly on the countertop. Wipe spills immediately.