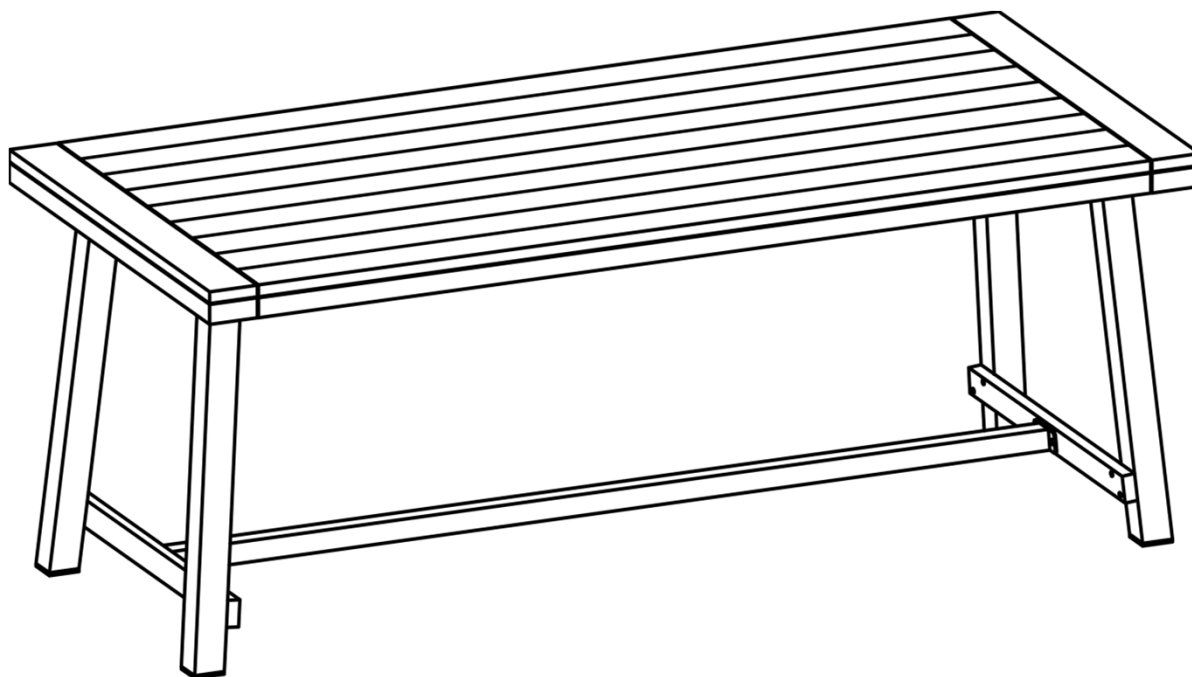


Assembly Instructions

Caution: You must read this before you proceed

Please look in the support bar for hardware packs.

Table

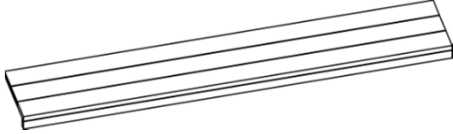









Caution: This Table is NOT a TOY

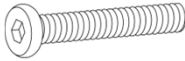
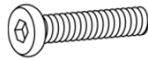




Keep your child/children at bay during the assembly process.

Whenever moving/lifting the Table and to prevent damage to the Table, two adults are needed to execute these actions.

Parts List

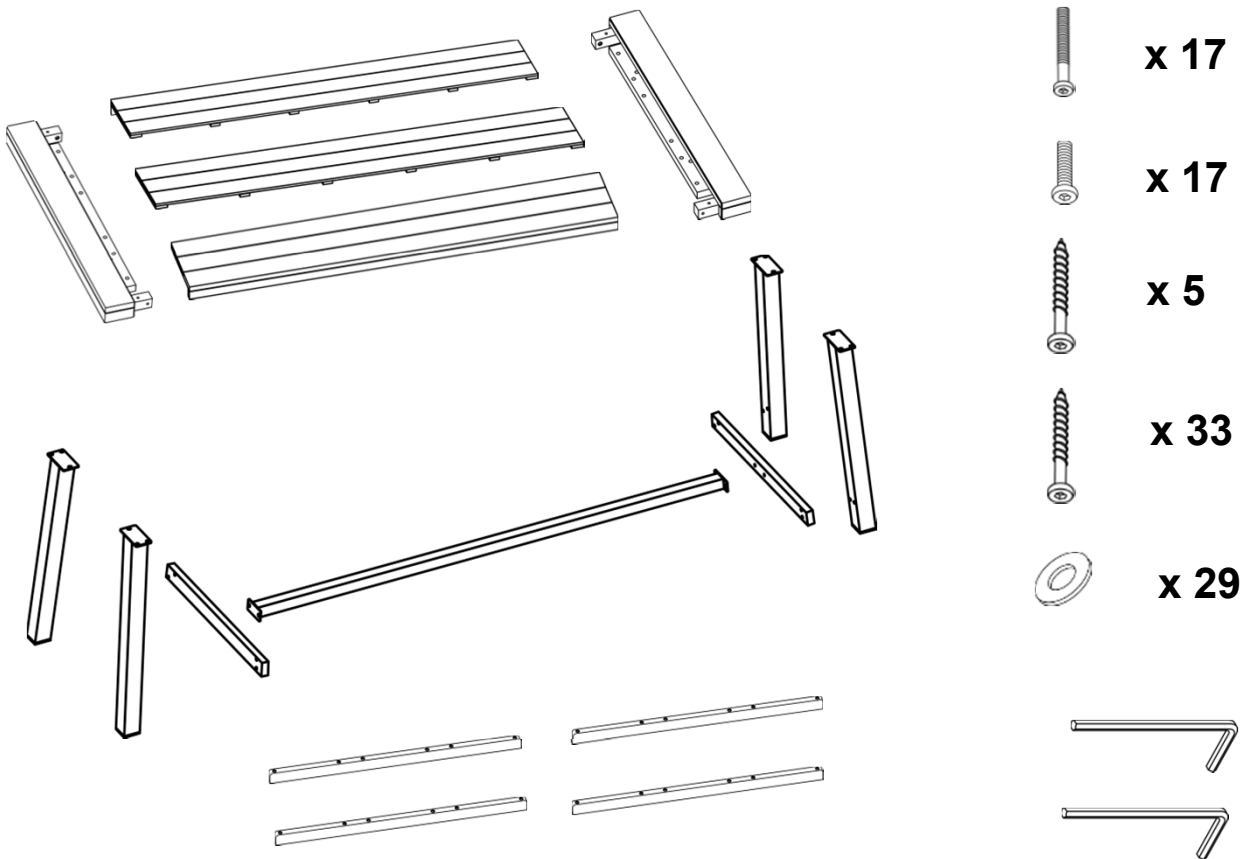
Label	Picture	Description	QTY
A		Side Table Top	2
B		Center Table Top	1
C		End Table Top	2
D		Table Top Support Bar	4
E		First Leg	2
F		Second Leg	2
G		First Leg Support Bar	2
H		Second Leg Support Bar	1

Hardware

Label	Picture	Description	QTY
①		Bolt (M8x40mm)	17
②		Bolt (M8x25mm)	17
③		Screw (M6x45mm)	5
④		Screw (M6x50mm)	33
⑤		Washer (M8.5/20*2mm)	29
⑥		Allen Key	2

Assembly Preparation

Before Beginning Assembly:



- Read instructions, cover to cover-



- Have 2 adults on hand for assembly-



- Do not assemble on flooring or carpet-



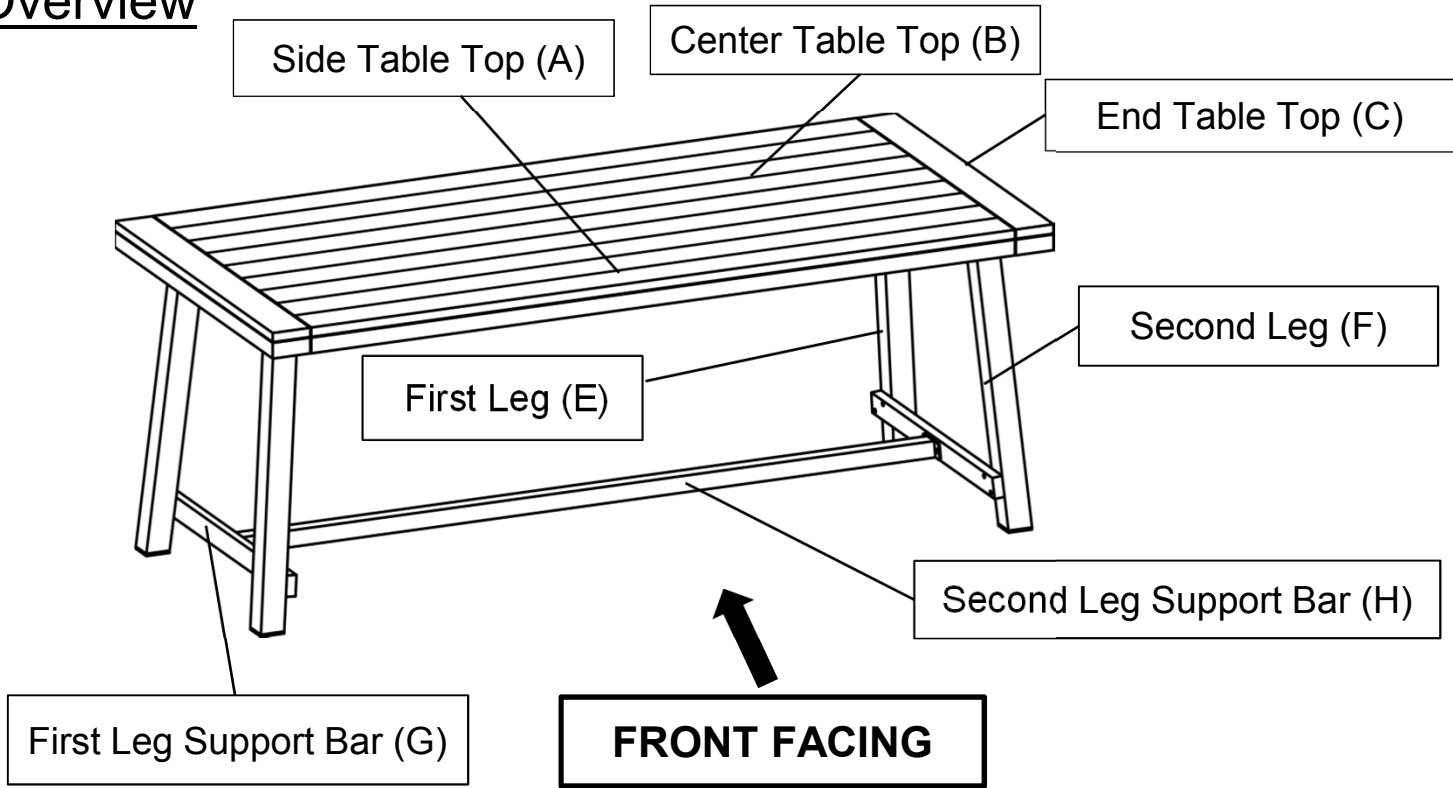
- Assemble on a clean non-marring surface (packing foam)-



- Save all packaging until finished-

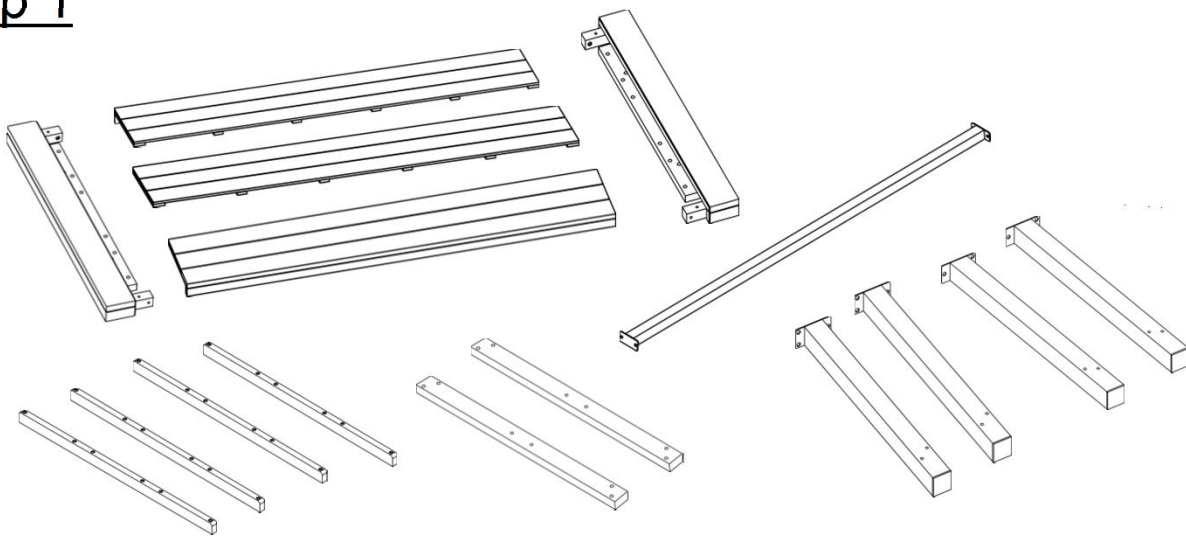
Assembly Steps

Overview



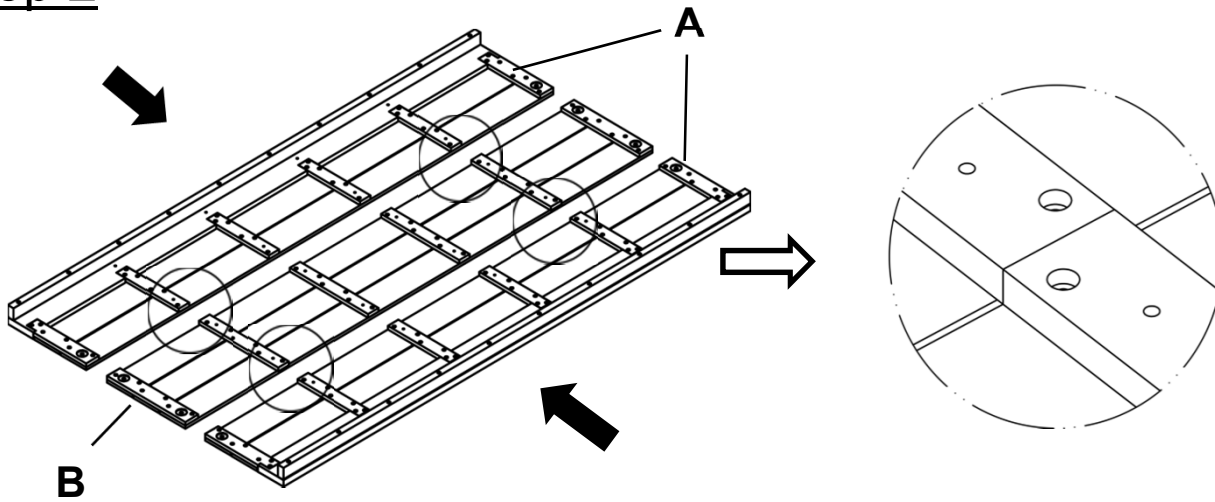
This Table has multiple parts and may require up to 45 minutes to assemble. To give you an overview of the Table parts, the above picture is to help you put the various parts into perspective. Please read through the instructions below to familiarise yourself with the parts and steps before assembly.

Step 1



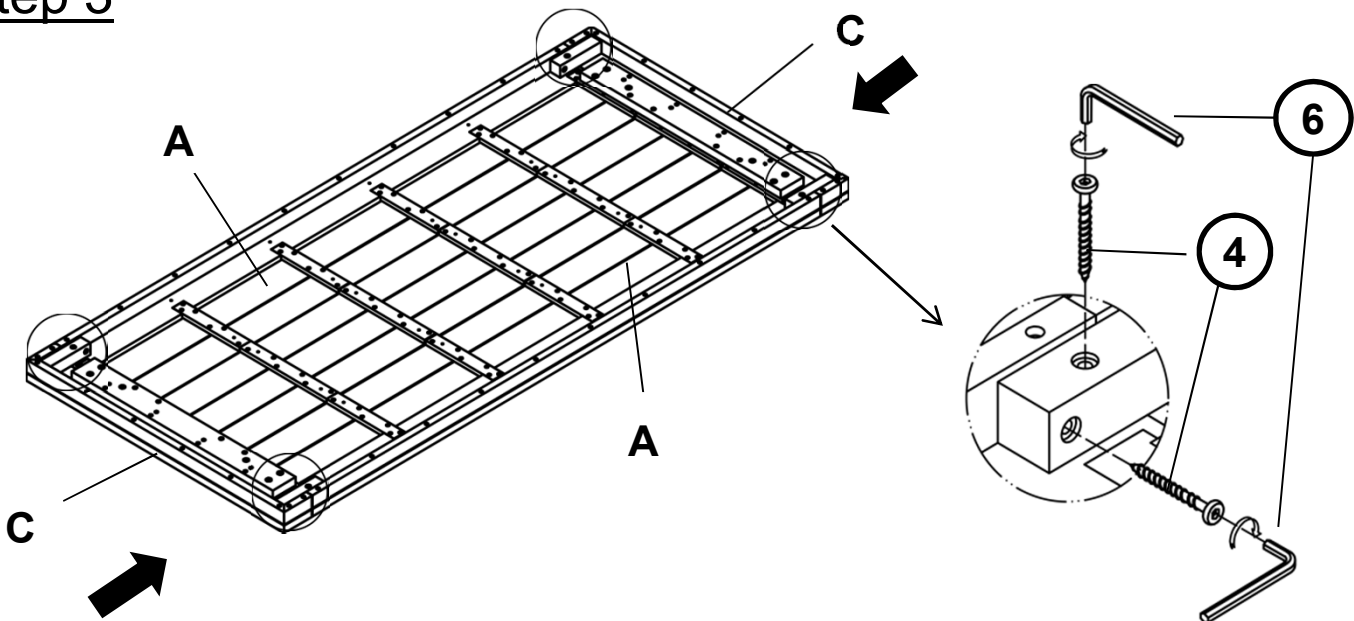
Unpack and place all parts on a clean, non-marring surface.

Step 2



Place Side Table Tops(A) and Center Table Top(B) facedown onto a clean, non-marring surface.
Then align them as pictured.

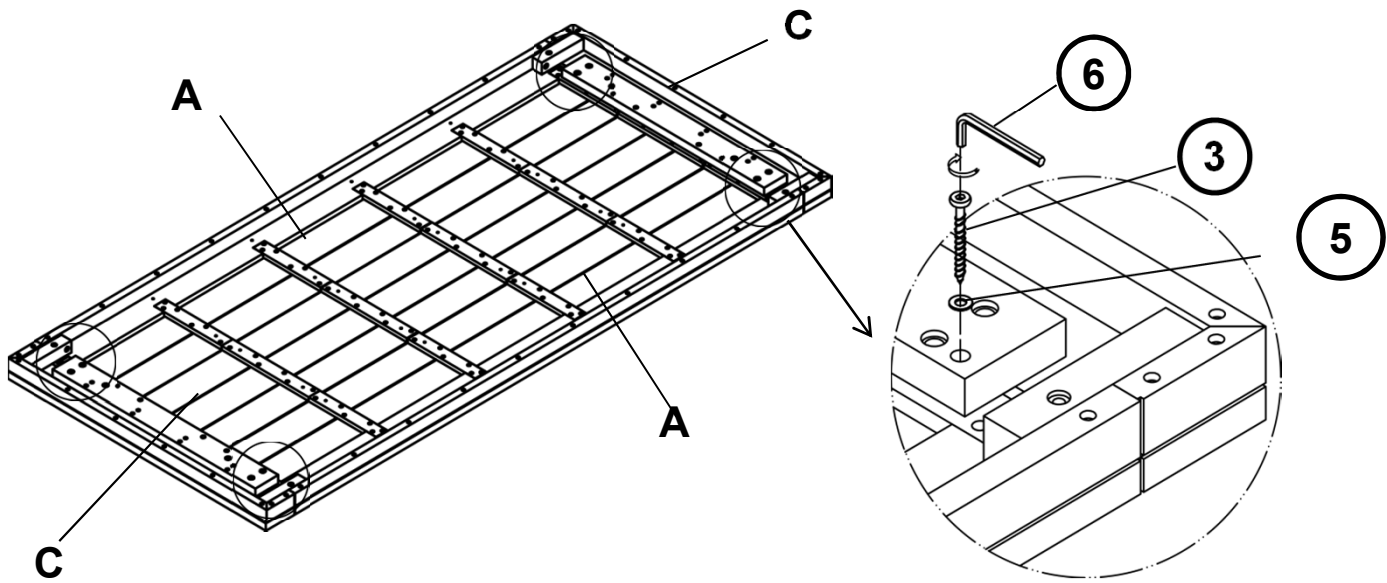
Step 3



Place the End Table Tops(C) as pictured above.
Attach End Table Top(C) to Side Table Tops(A) using Screws(④) with Allen Key(⑥) as
pictured above.

Do not fully tighten the Screws.

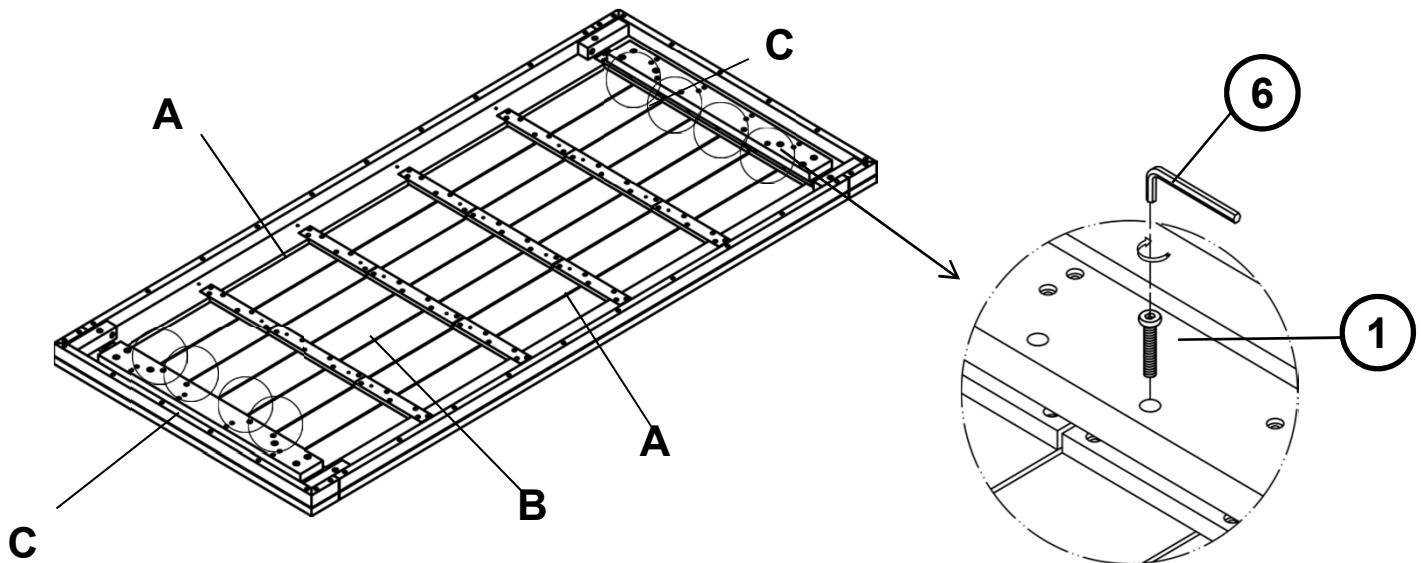
Step 4



Attach End Table Top(C) to Side Table Tops(A) using Screws(③), and Washers(⑤) with Allen Key(⑥) as pictured above.

Do not fully tighten the Screws.

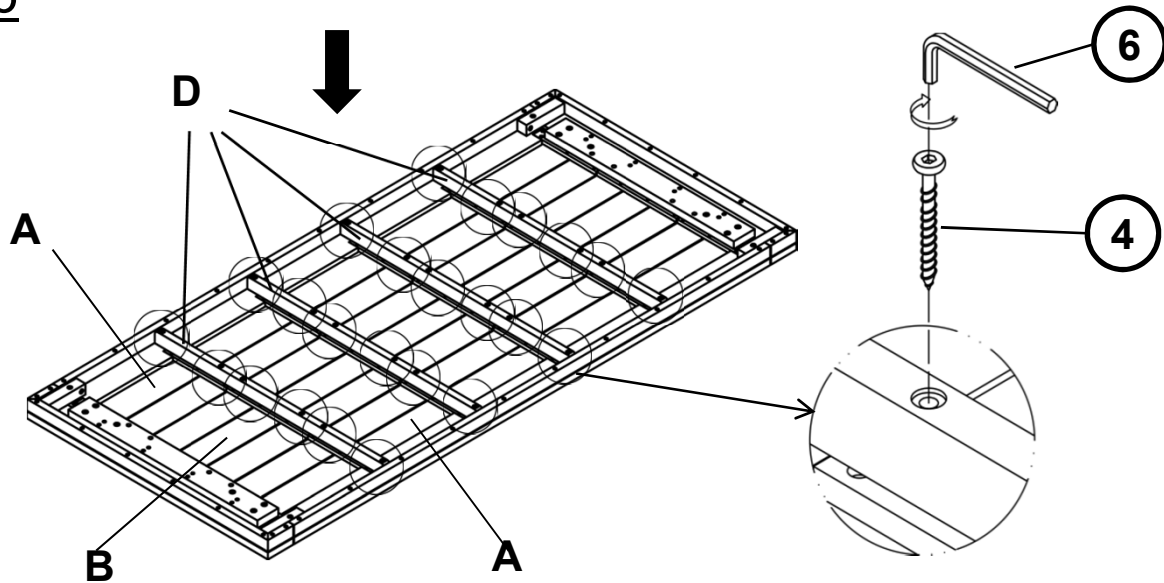
Step 5



Attach End Table Tops(C) to Side Table Tops(A) and Center Table Top(B) using Bolts(①) with Allen Key(⑥) as pictured above.

Do not fully tighten the Bolts

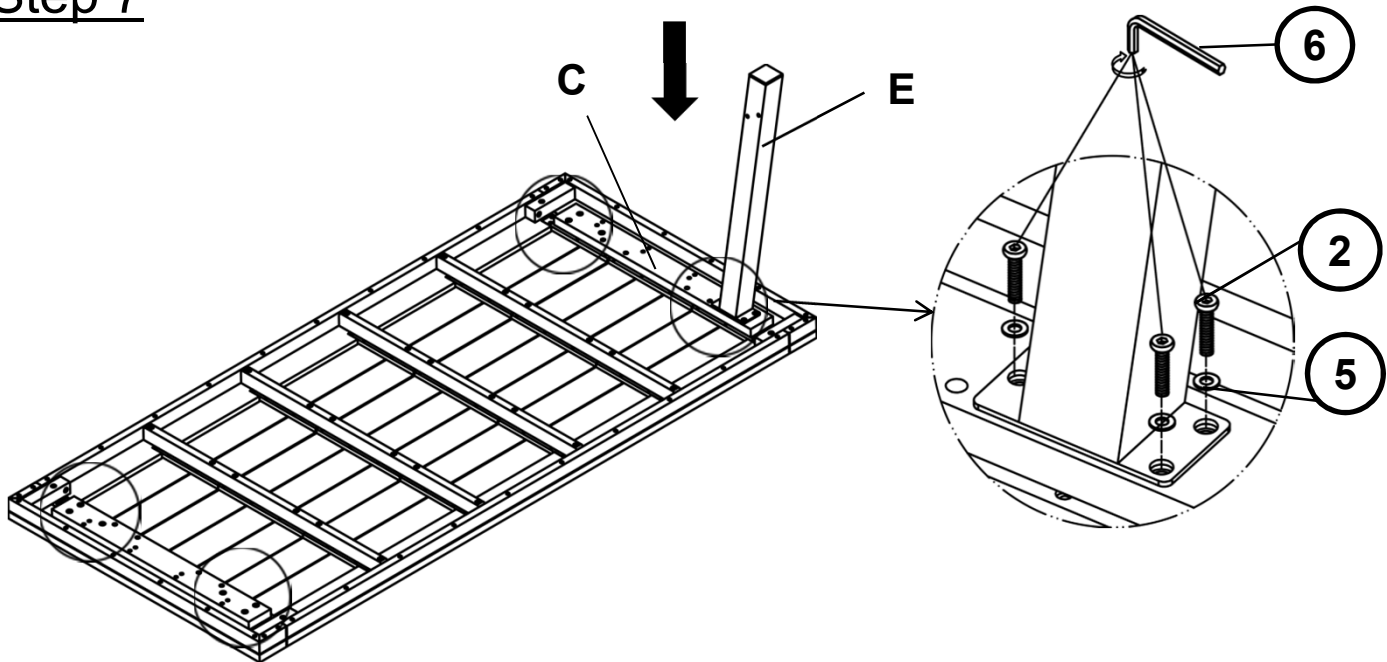
Step 6



Attach Table Support Bars(D) to Side Table Tops(A) and Center Table Top(B) using Screws(4) with Allen Key(6) as pictured above.

Do not fully tighten Screws.

Step 7

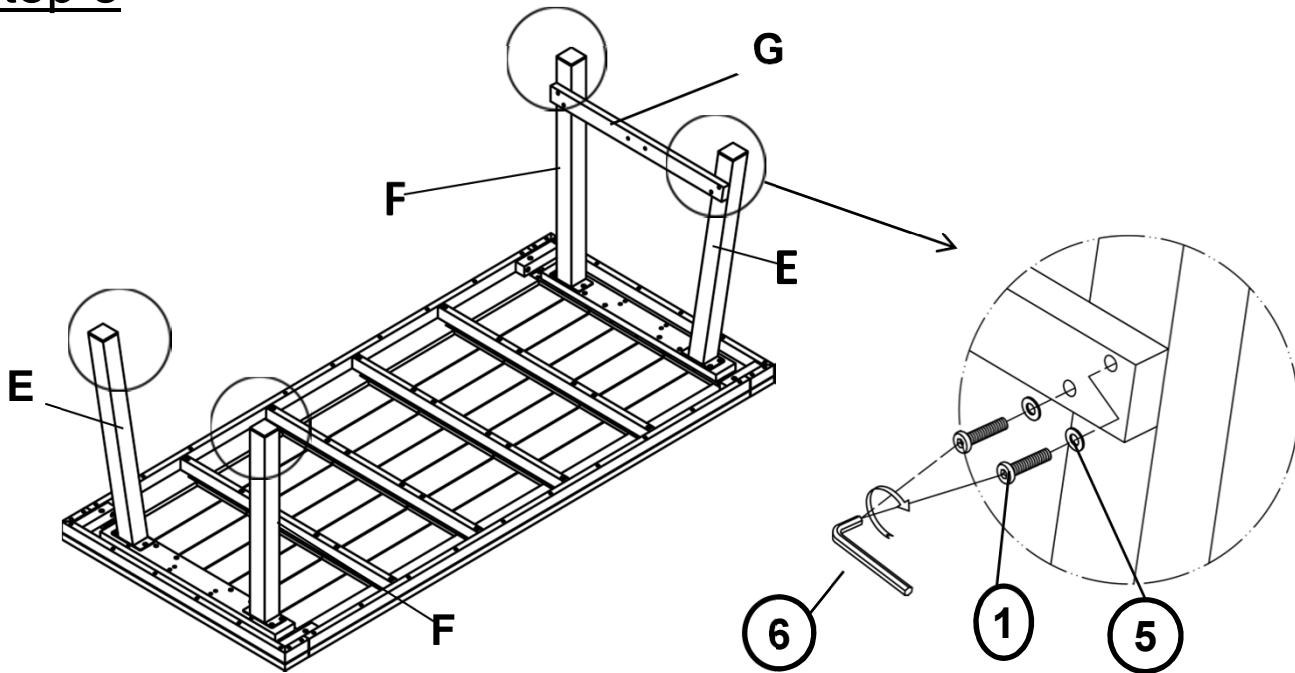


Attach First Leg(E) to End Table Top(C) using Bolts(2), and Washers(5) with Allen Key(6) as shown in the picture above.

Repeat the same process with the remaining First Leg(E) and Second Legs(F).

Do not fully tighten the Bolts.

Step 8

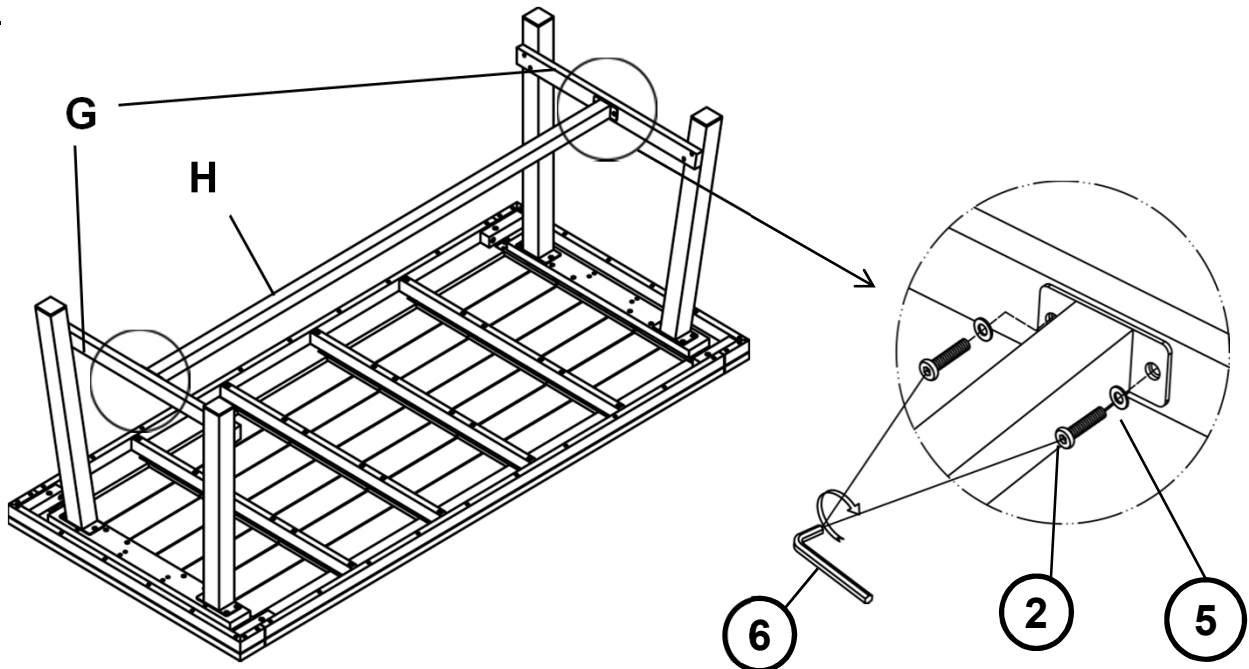


Attach the First Leg Support Bar(G) to First Leg(E) and Second Leg(F) using Bolts(①), and Washers(⑤) with Allen Key(⑥) as shown above.

Repeat the same process with the remaining First Leg Support Bar(G).

Do not fully tighten the Bolts.

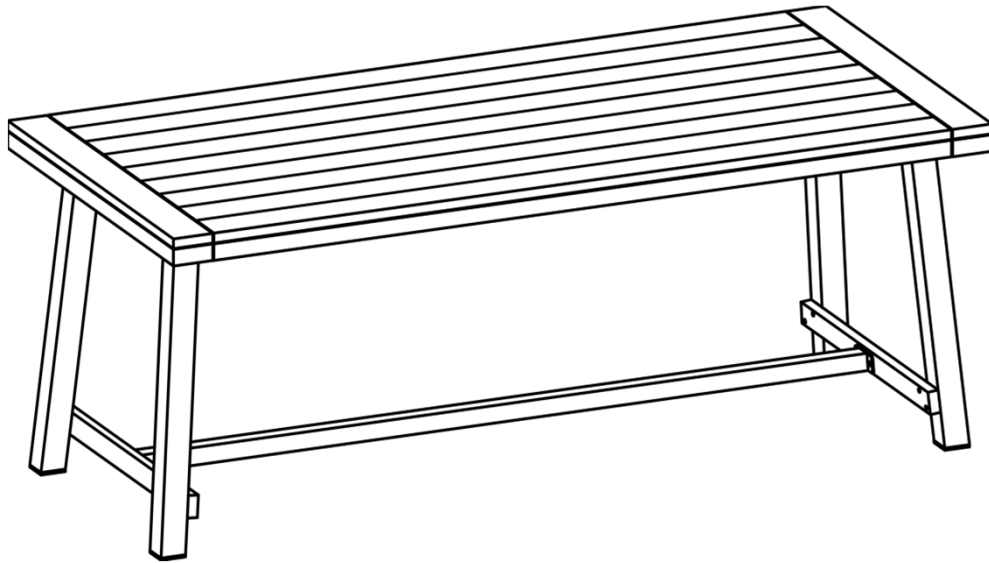
Step 9



Attach Second Leg Support Bar(H) to First Leg Support Bar(G) using Bolts(②), and Washers(⑤) with Allen Key(⑥) as pictured above.

Do not fully tighten the Bolts.

Step 10



Stand the Table up, with assistance from your adult partner.

Exert pressure floorwards, onto the Table with both your hands.

This pressure will help the Legs and Table Top reach full alignment status.

Check for wobbles on a LEVEL surface.

If no wobbles are found proceed to tighten the Bolts and Screws in a sequential manner, until evenly secured.

When tightening the Bolts and Screws tighten sequentially.

Do not tighten any Bolt or Screw fully and then move on towards the next one.










If there are still wobbles, loosen the Bolts and Screws and execute the same above process.

If the Table is not Stable it could lead to damage to the product.

Your Table is ready for use.

This Table can only be used on a flat, level surface.

Care & Maintenance

-  ● Do not put hot items directly on furniture surface
 -  ● Do not clean furniture with harsh cleansers or polish.
 -  ● To obtain the longest lifespan of your outdoor products, minimizing exposure to direct sunlight is recommended.
 -  ● Children should not climb or jump on the furniture.
 -  ● Do not write on furniture without a padded barrier to protect the surface.
 -  ● To obtain the longest lifespan of your outdoor products, avoid extended and lengthy exposure to rain, snow, and direct sunshine. Whenever possible cover the product and /or place under patio or awnings.
 -  ● Not for commercial use. For residential use only .
 -  ● Stains may be removed with mild soap solution and damp cloth.
-
-  ● Dust and pick-up spills using a clean, non-colored, lint-free cloth .