

INSTRUCTION MANUAL ENCLOSED

ATTENTION

IF YOU HAVE ANY PROBLEMS OR QUESTIONS, EMAIL OR CALL CUSTOMER SERVICE BEFORE YOU RETURN THIS PRODUCT TO THE STORE WHERE IT WAS PURCHASED.

For Customer Service:

USA: Email: support@orderhelp.com /Call: 1-877-897-1222

CANADA: Email: sirio@orderhelp.com / www.sirio.ca

Call: 1-866-666-0421

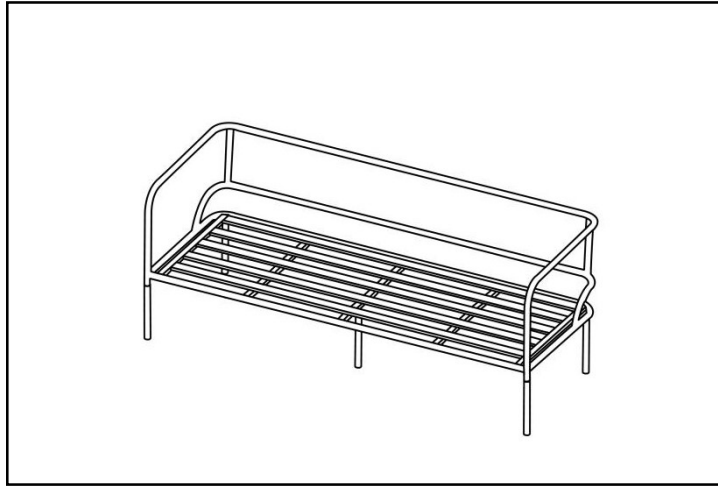
When emailing Customer Service, please include your **Order Number and **platform of purchase** in the email subject for quicker assistance.

INSTRUCTION MANUAL ENCLOSED

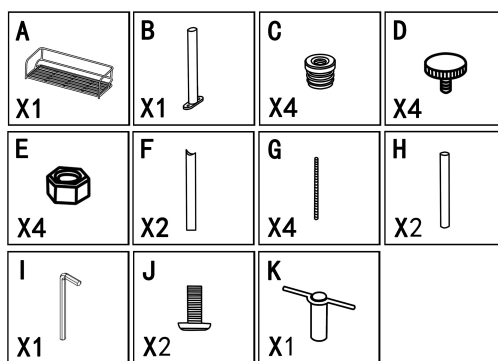
OUTDOOR SOFA CHAIR

MS383

OUTDOOR SOFA CHAIR ASSEMBLY INSTRUCTION



Part	PARTS LIST Description	Quantity
	<i>PARTS</i>	
A	Seat	1
	<i>HARDWARE</i>	
B	Chair Legs	1
C	Feet caps	4
D	levelers	1
E	Nut	4
F	Chair leg	2
G	Bolt	4
H	Chair leg	2
I	Allen key	1
J	Bolt	2
K	Allen key(comes from Box-1)	1



For Customer Service:

Email: support@orderhelp.com

sirio@orderhelp.com / www.sirio.ca

Call: 1-877-897-1222 / 1-866-666-0421

PLEASE READ AND FOLLOW ALL SAFETY TIPS

GETTING STARTED

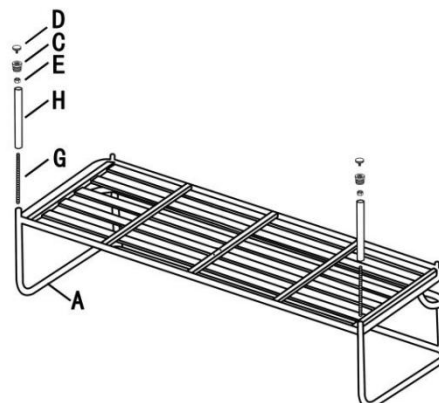
1. Before assembly, CAREFULLY use scissors or utility knife to cut and unwrap all parts. Make sure you do not discard the hardware.
2. Make sure that you have all the parts listed. If you are missing any parts, please email Customer Service: USA: support@orderhelp.com or call 1-877-897-1222. Canada: sirio@orderhelp.com / www.sirio.ca or call 1-866-666-0421. Please identify the parts you need and model number. Make sure to include your name and address.
3. Please include your **Order Number** and **platform of purchase** in the email subject, and one of our customer service representative will get back to you.

Warm Tips:

1. The plastic covers on some metal parts are just for product protection. Please remove it before assembly.
2. Please follow the sequence of AI during assembly.
3. Do not tighten the screws until all of them are in right positions.

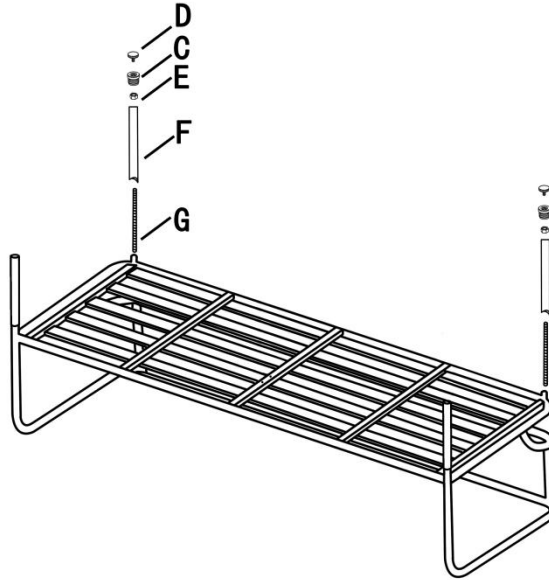
1. ①Fasten bolts(G),②Insert Chair leg(H),③,Use Allen Key(K) to fasten Bolts(E),
④Install feet cap(C) and levelers(D). (Photo 1)

STEP1



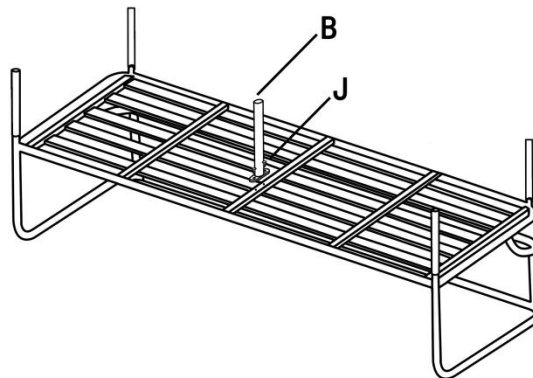
2. ①Fasten bolts(G),②Insert Chair leg(F),③,Use Allen Key(K) to fasten Bolts(E),
④Install feet cap(C) and levelers(D). (Photo 2)

STEP2



3. Position Chair Leg(B),Using the Allen key(I) to fasten Bolts(J), turn over the chair frame to the upright position carefully.

STEP3



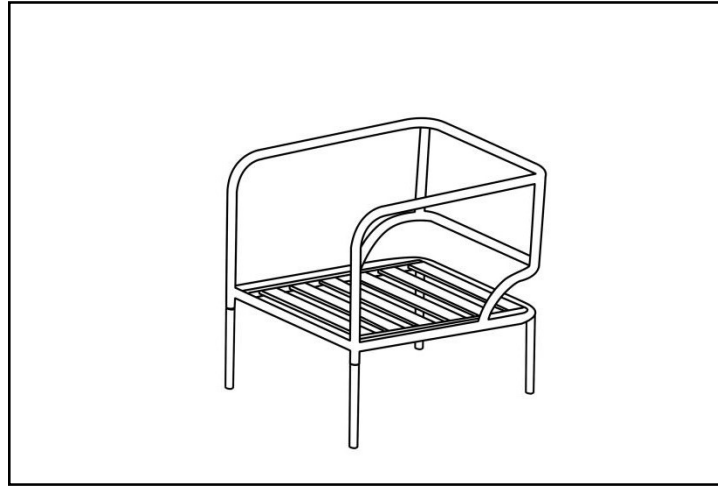
Till now you have finished the whole assembly and enjoy your sofa chairs.

INSTRUCTION MANUAL ENCLOSED

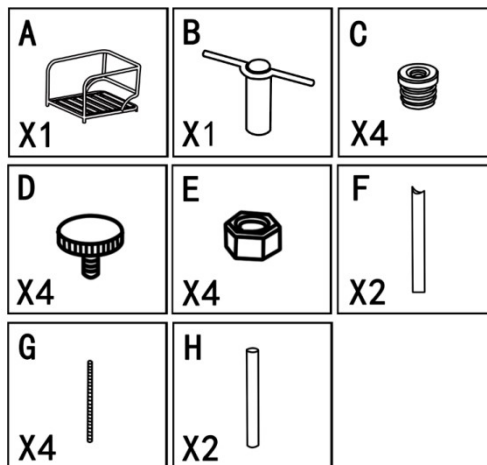
OUTDOOR Club Chair

MS383&CC083

OUTDOOR Club CHAIR ASSEMBLY INSTRUCTION



Part	PARTS LIST Description	Quantity
	<i>PARTS</i>	
A	Seat Frame	1
	<i>HARDWARE</i>	
B	Allen Key(comes from Box-1)	1
C	Feet caps	4
D	Allen Key	1
E	Nut	4
F	Chair leg	2
G	Bolt	4
H	Chair leg	2



For Customer Service:

Email: support@orderhelp.com

sirio@orderhelp.com / www.sirio.ca

Call: 1-877-897-1222 / 1-866-666-0421

PLEASE READ AND FOLLOW ALL SAFETY TIPS

GETTING STARTED

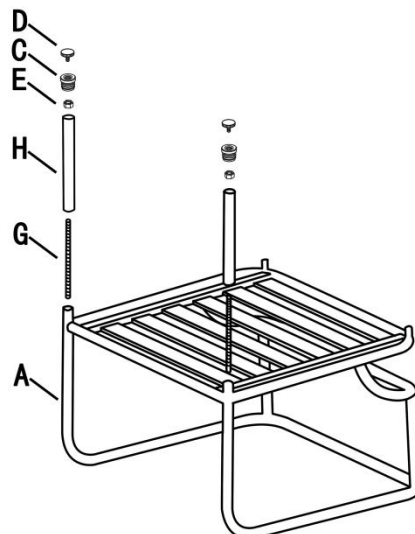
1. Before assembly, CAREFULLY use scissors or utility knife to cut and unwrap all parts. Make sure you do not discard the hardware.
2. Make sure that you have all the parts listed. If you are missing any parts, please email Customer Service: USA: support@orderhelp.com or call 1-877-897-1222. Canada: sirio@orderhelp.com / www.sirio.ca or call 1-866-666-0421. Please identify the parts you need and model number. Make sure to include your name and address.
3. Please include your **Order Number** and **platform of purchase** in the email subject, and one of our customer service representative will get back to you.

Warm Tips:

1. The plastic covers on some metal parts are just for product protection. Please remove it before assembly.
2. Please follow the sequence of AI during assembly.
3. Do not tighten the screws until all of them are in right positions.

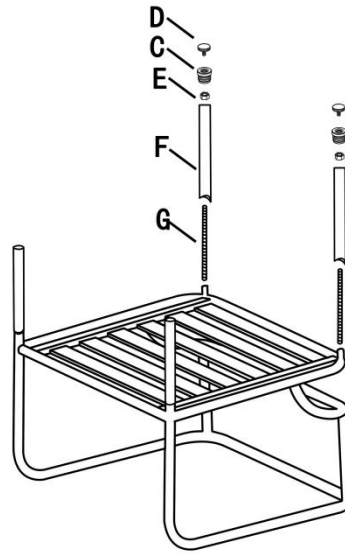
1. ①Fasten bolts(G),②Insert Chair leg(H),③,Use Allen Key(B) to fasten Bolts(E),
④Install feet cap(C) and levelers(D). (Photo 1)

STEP1



2. ① Fasten bolts(G), ② Insert Chair leg(F), ③ Use Allen Key(B) to fasten Bolts(E), ④ Install feet cap(C) and levelers(D), turn over the Chair frame to the upright position carefully.

STEP2



3. Follow the same instruction for the other club chairs.

Till now you have finished the whole assembly and enjoy your club chairs.