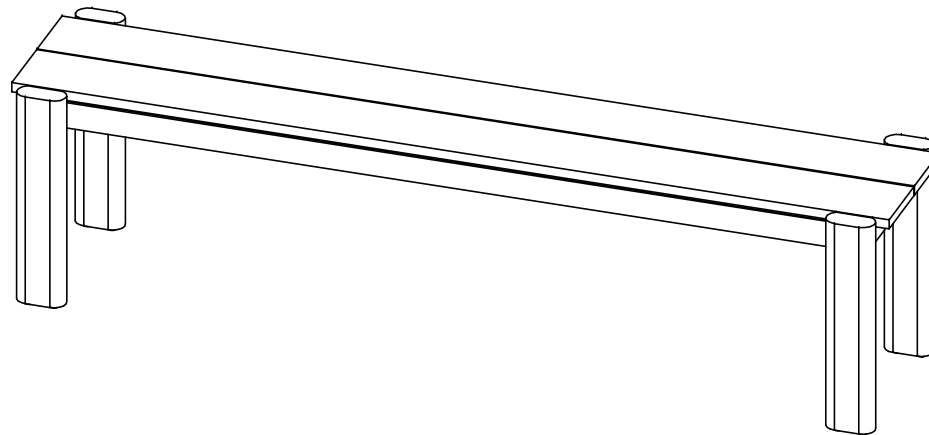


# **ASSEMBLY INSTRUCTIONS.**

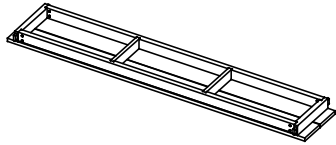
TEMPO OUTDOOR BENCH



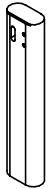
THANK YOU FOR YOUR PURCHASE !

## PARTS AND HARDWARE.

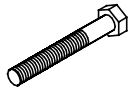
1. TOP PANEL X1



2. LEG X4



A. BOLT X8



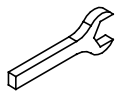
B. SPRING WASHER X8



C. FLAT WASHER X8



D. WRENCH 12

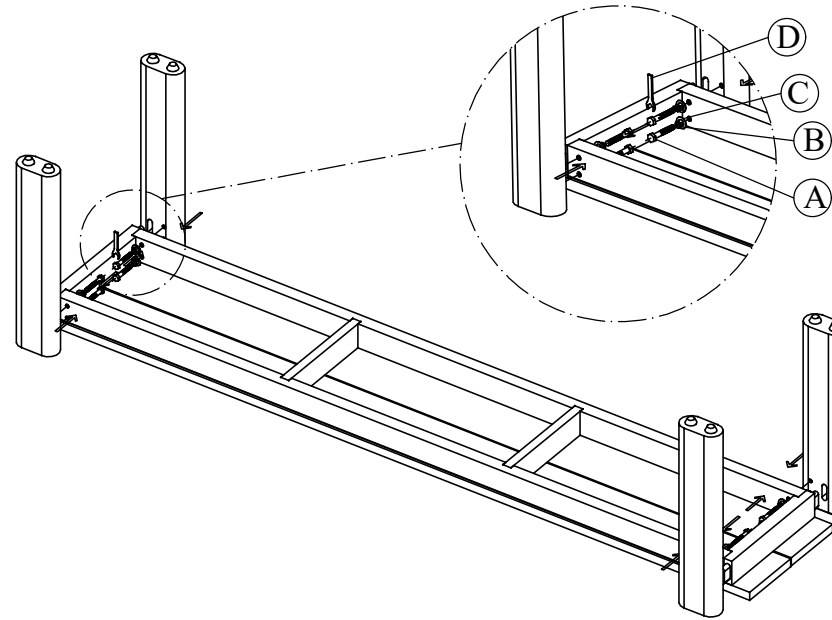


## NOTES.

Thank you for purchasing this quality product! Be sure to check all packing material carefully for small part that may have come loose inside the carton during shipping.

**CAUTION:** The item is heavy, assembly should be performed by two people.

## STEP 1.



## STEP 2.

