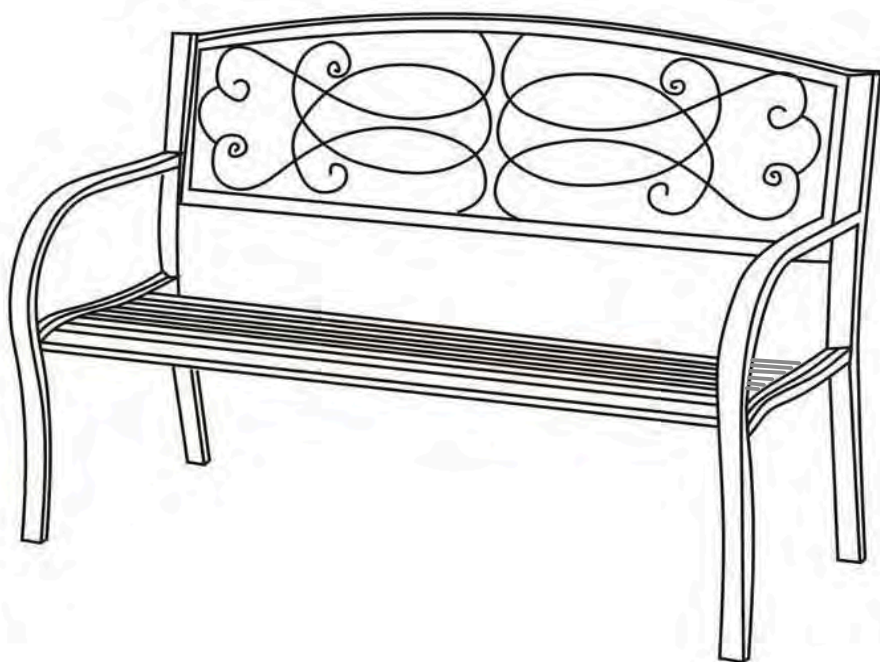
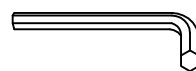


ASSEMBLY INSTRUCTIONS



TOOLS REQUIRED



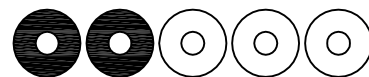
Allen Wrench

(Included)



2 - People
Recommended

ASSEMBLY RATING



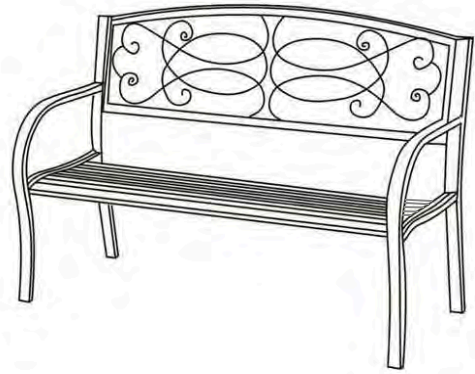
EASY —————> DIFFICULT

The Assembly Rating is a 5-point system showing the level of effort needed to assemble a specific product.

BENCH



- Please keep instructions for future reference.
- Check the quantity and irregularity of parts and hardware before you start.



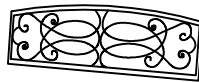
PARTS

#1 1pc



Plate

#2 1pc



Back panel

#3 1pc



Left Leg

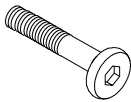
#4 1pc



Right Leg

HARDWARE

#A 4pcs



BOLT $\varnothing\frac{1}{4}$ "X2-3/4"

#B 4pcs



BOLT $\varnothing\frac{1}{4}$ "X1-3/8"

#C 4pcs



NUT

#D 8pcs



Flat Washer

#E 4pcs



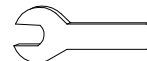
NUT

#F 1pc



Allen Wrench M4

#G 1pc



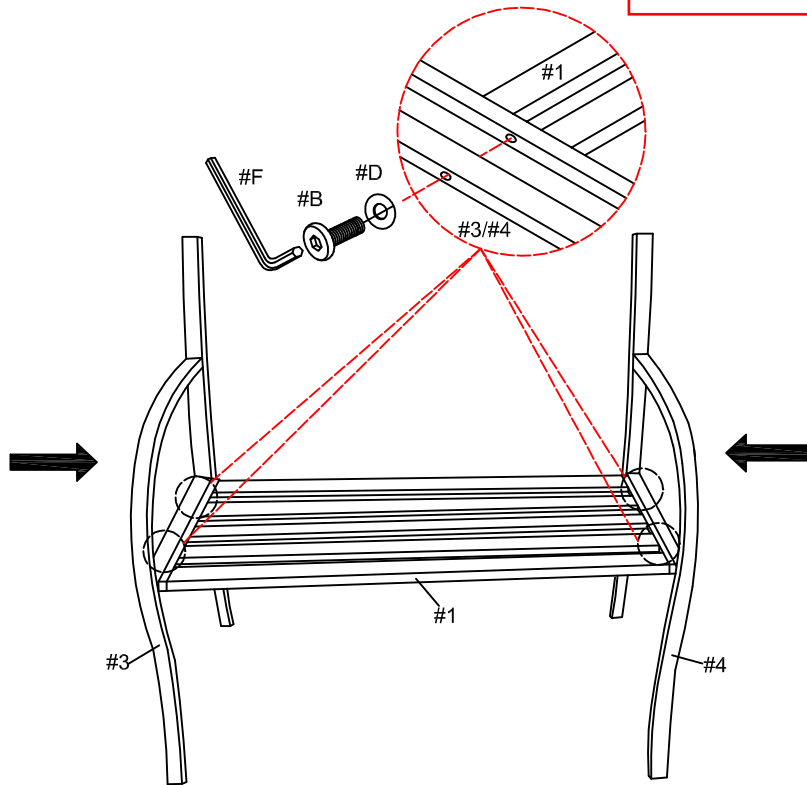
Wrench

ASSEMBLY INSTRUCTIONS

1

- Part #1 x1pc
- Part #3 x1pc
- Part #4 x1pc
- Hardware #B x4pcs
- Hardware #D x4pcs
- Hardware #F x1pc

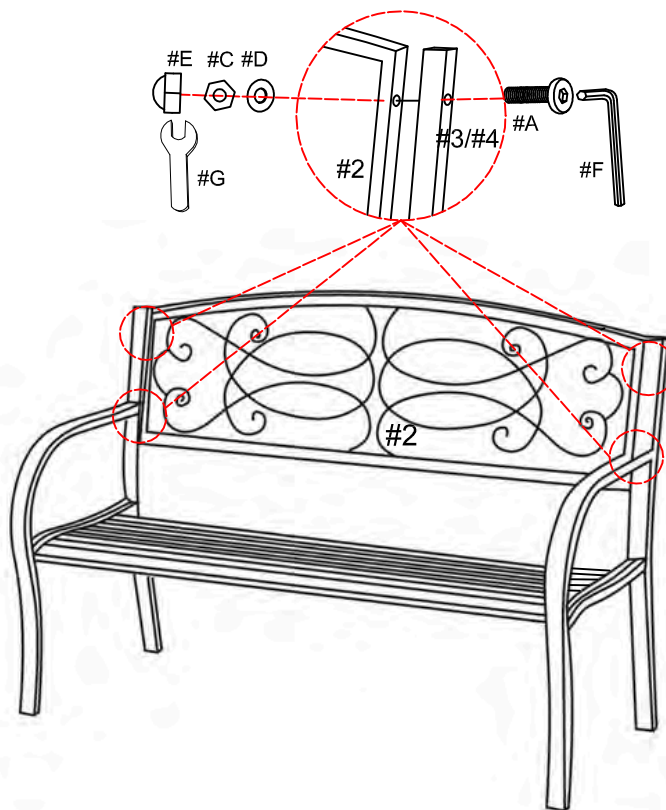
Align left and right legs (#3,4) to the plate (#1), then secure by using bolts (#B) with washers (#D).



2

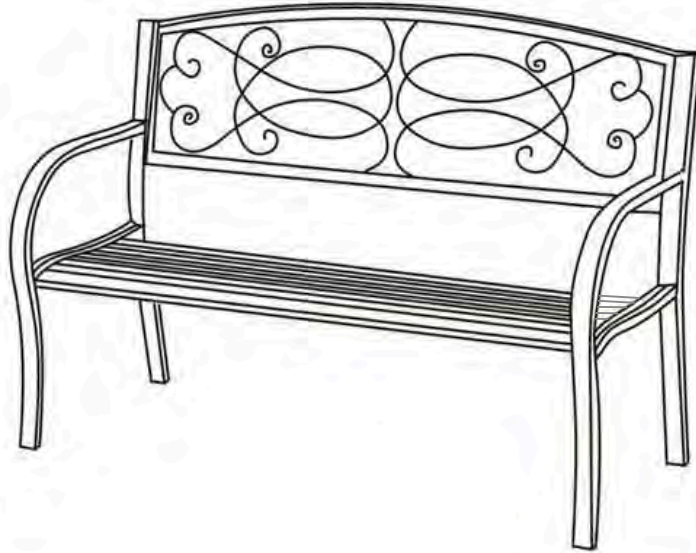
- Part #2 x1pc
- Hardware #A x4pcs
- Hardware #C x4pcs
- Hardware #D x4pcs
- Hardware #E x4pcs
- Hardware #G x1pc

Align back (#2) to the legs (#3,4), then secure by using bolts (#A) onto nuts (#E) with washers (#C,D).



ASSEMBLY INSTRUCTIONS

3



ASSEMBLY COMPLETED



Please ensure the furniture rests on an even and flat surface. If the product wobbles or feels loose, double-check all bolts and/or screws are properly tightened and secured.

✓ **Keep this handy!**

Please retain this instruction manual and any order-related information for future reference.

✓ **Lift, don't drag!**

To avoid damage to product please always LIFT the product when transporting or adjusting the placement.
