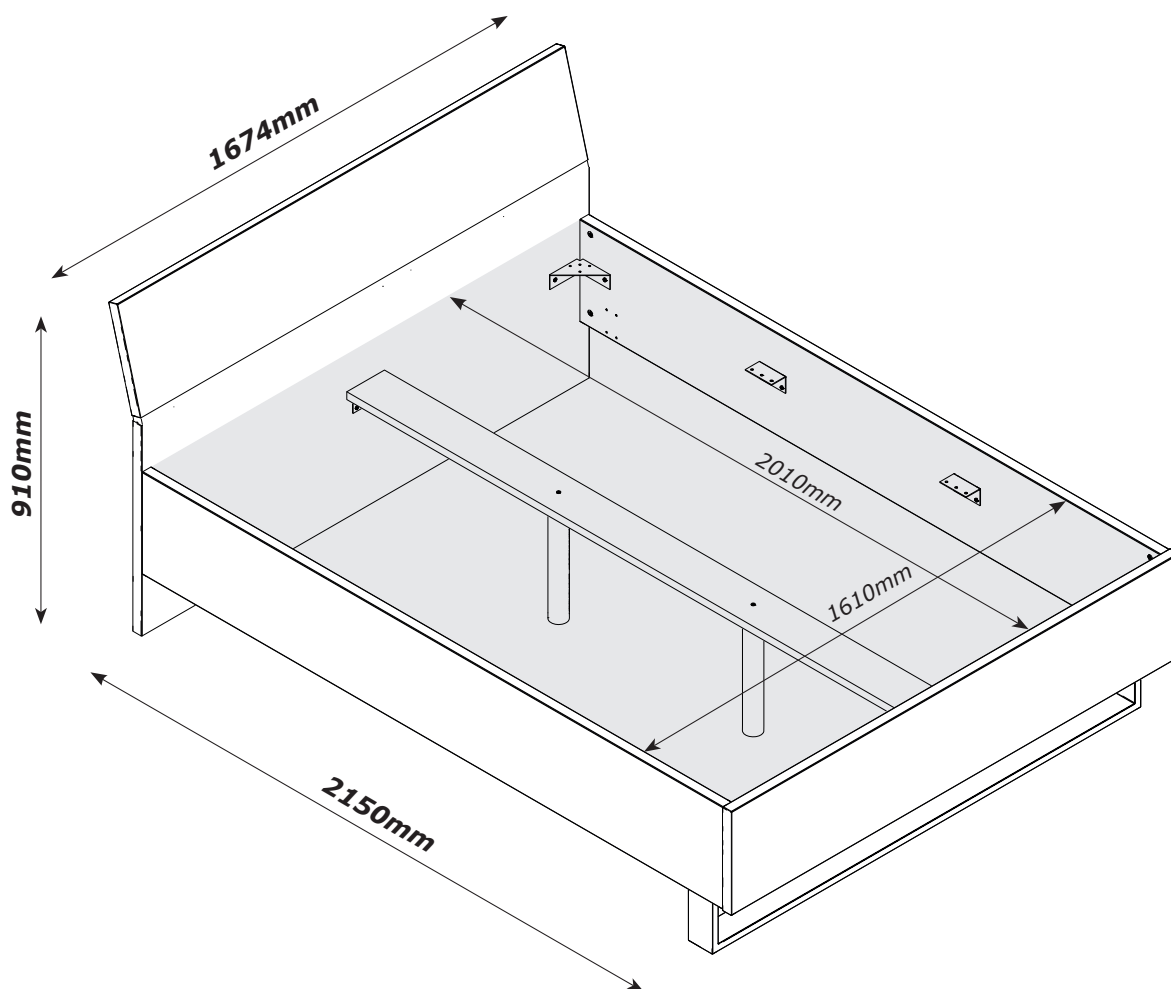
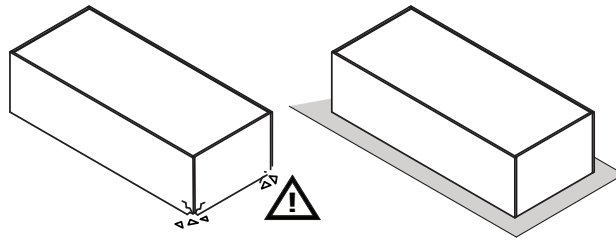
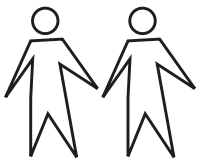


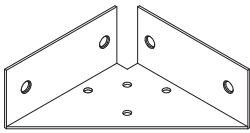
LT4160K76604



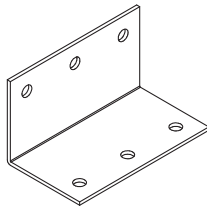
QF5558-1



BU4664



W328
x4

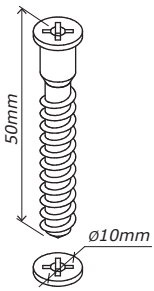


W186
x6

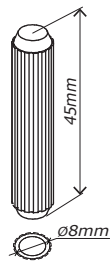


W592
x2

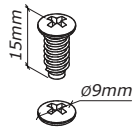
BU4542



V45
x2



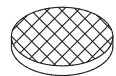
H325
x8



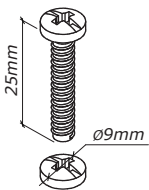
V10
x50



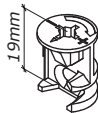
T28
x8



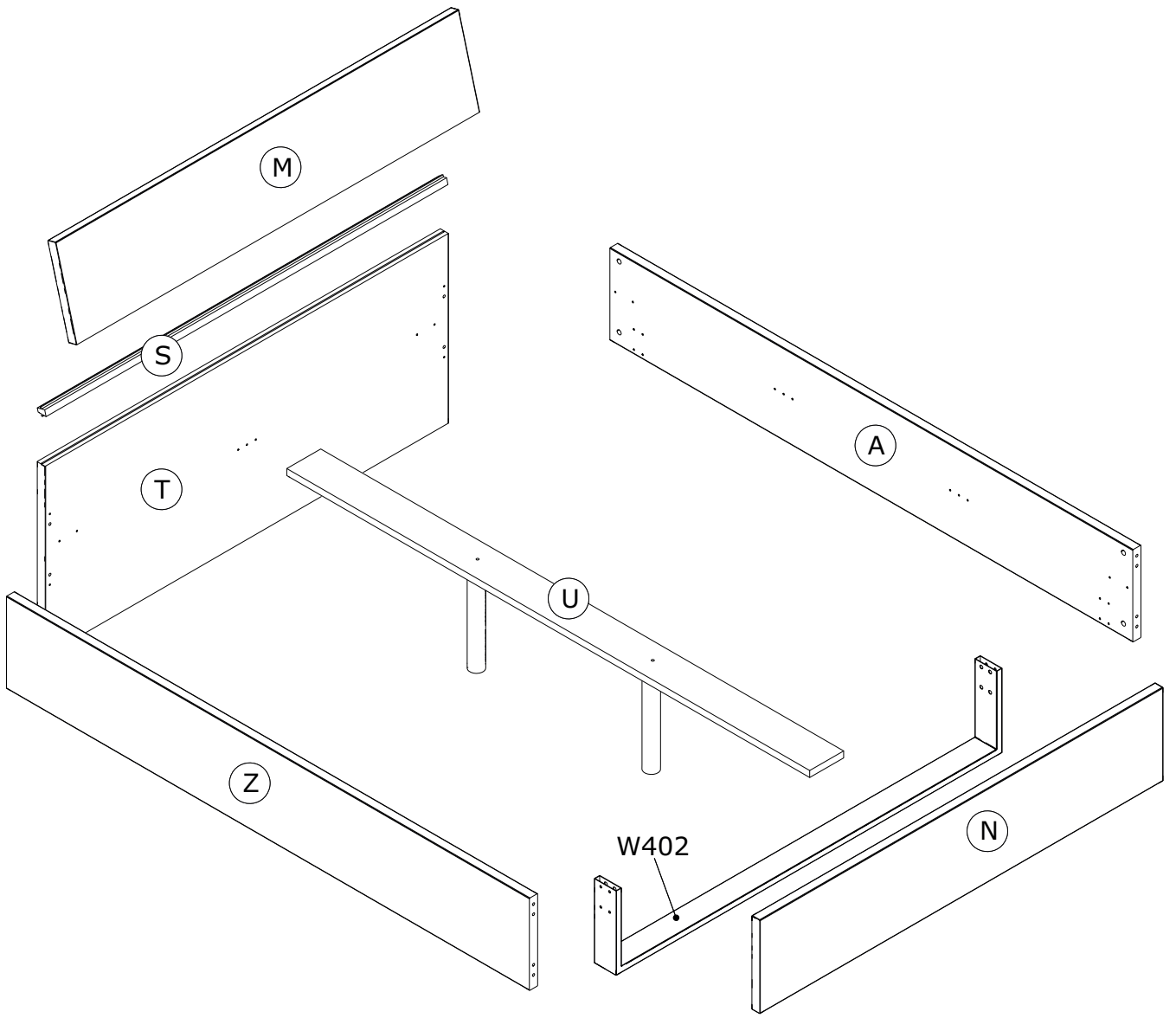
H139
x8

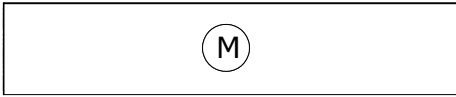


V7
x8

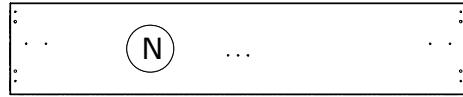


T97
x8

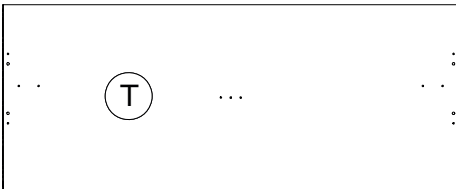




TE0628
1674x296x30mm



PE0323
1674x296x30mm



TE0630
1674x296x30mm



FS4300
1668x29x20mm

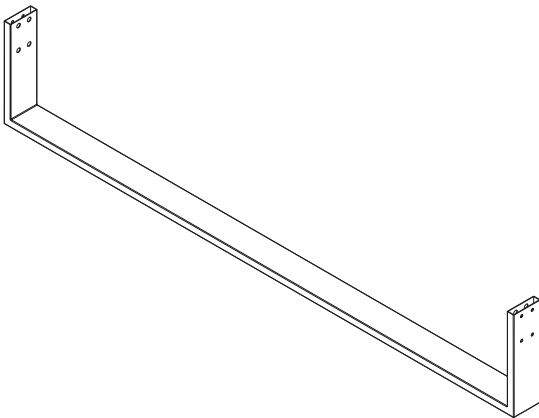
BOX 1/2



FS4297
2010x292x30mm



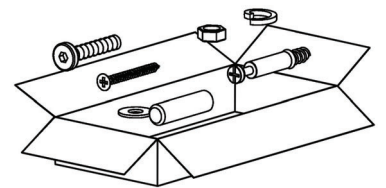
FS4283
2010x124x22mm



W402
x1

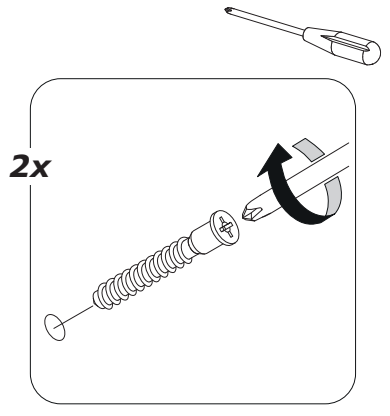
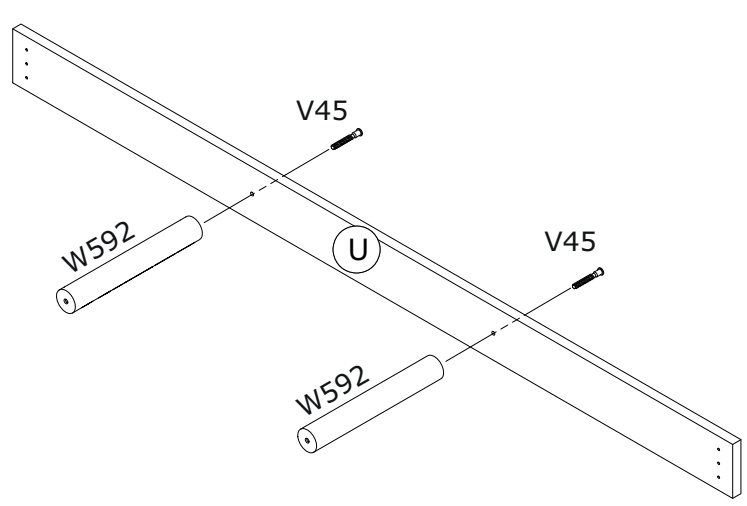


W624
x2

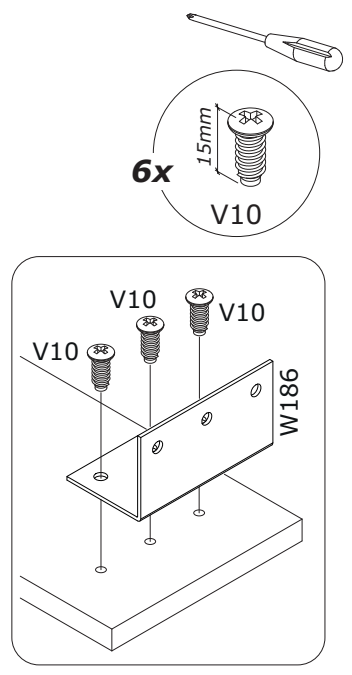
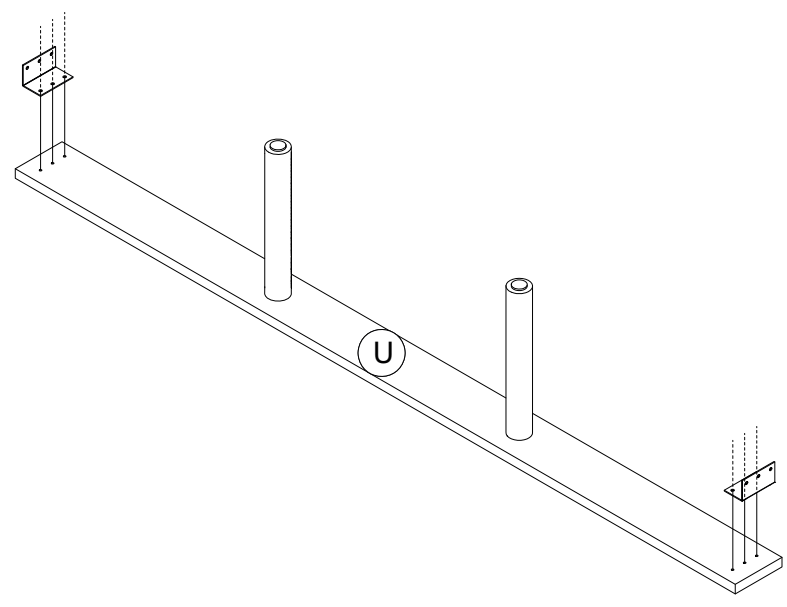
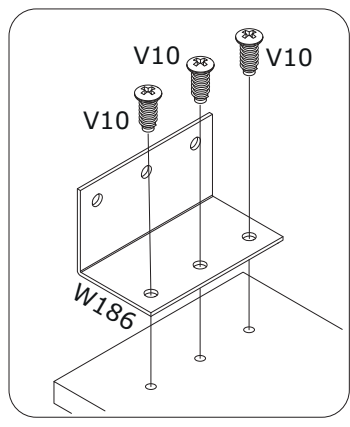


BOX 2/2

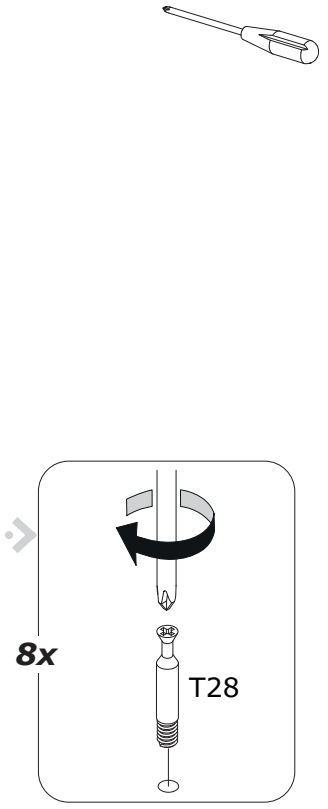
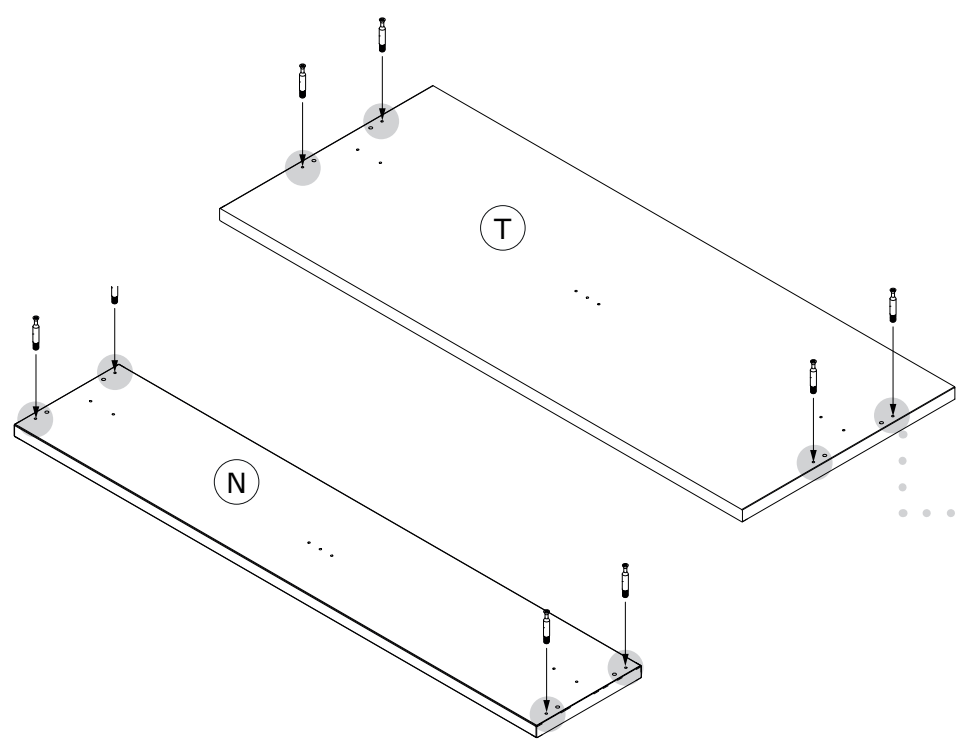
1



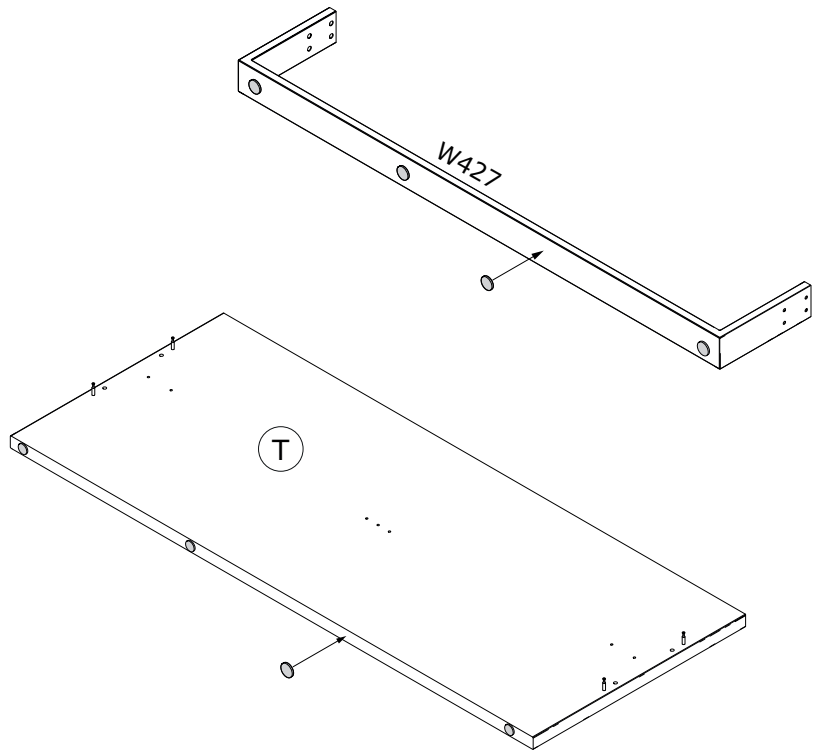
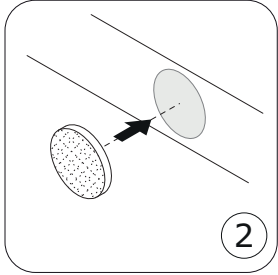
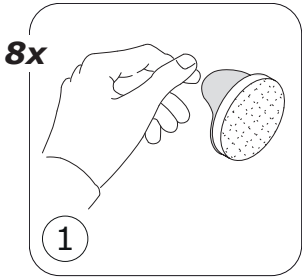
2



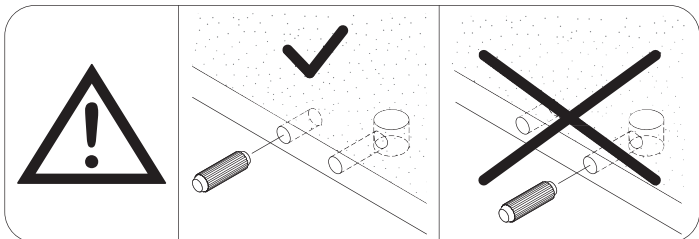
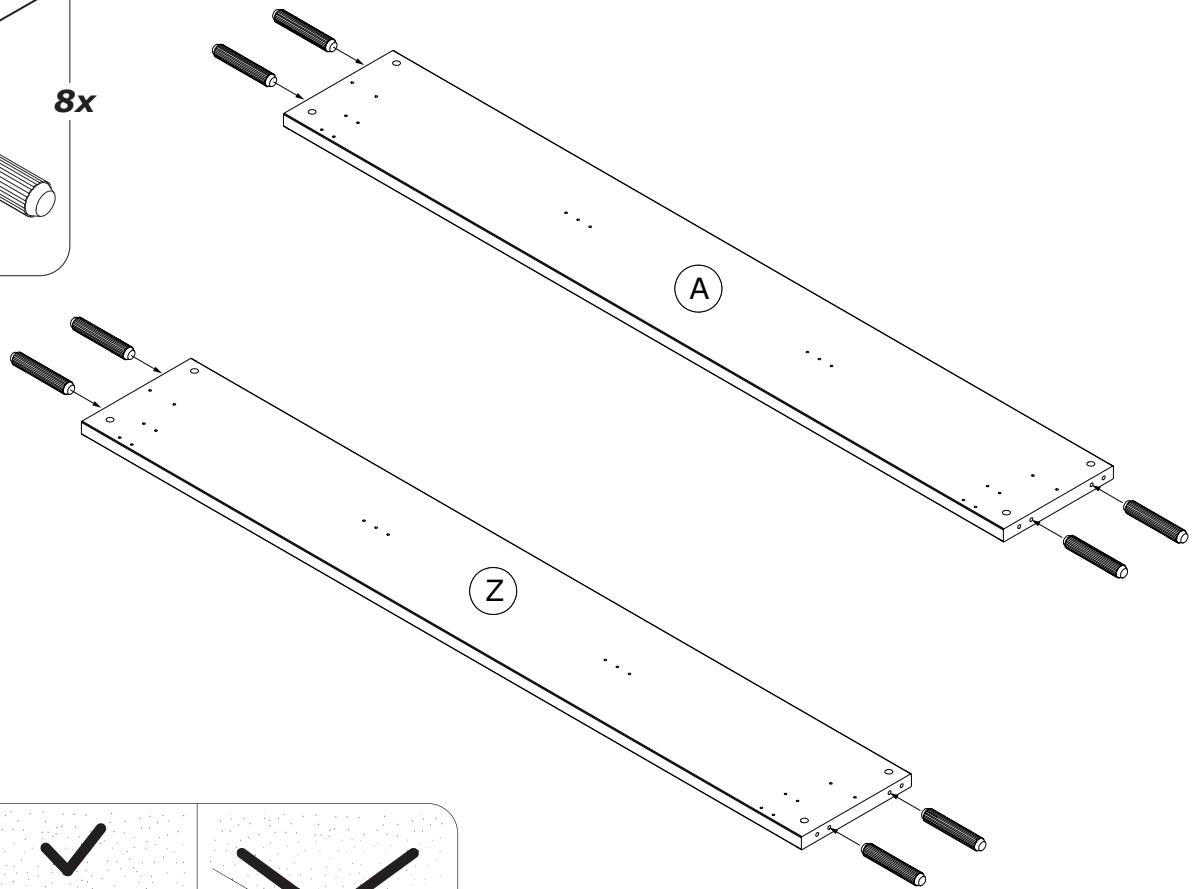
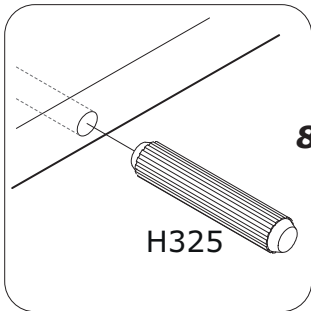
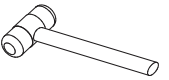
3



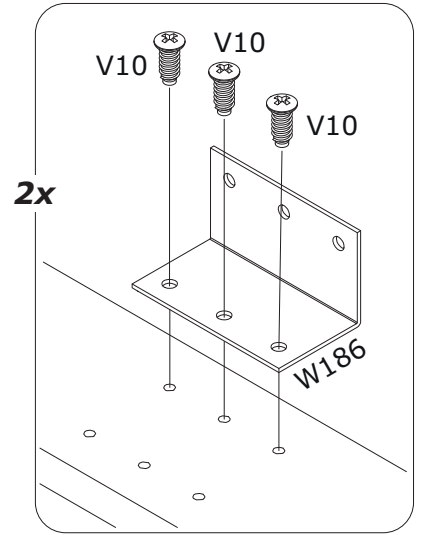
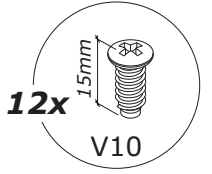
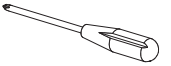
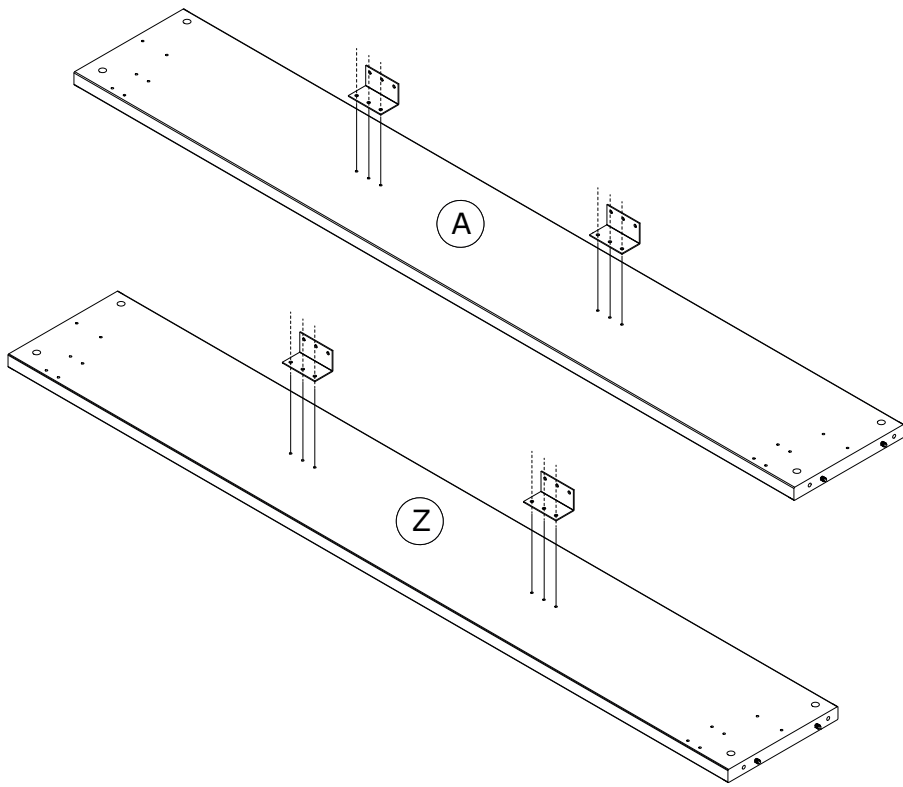
4



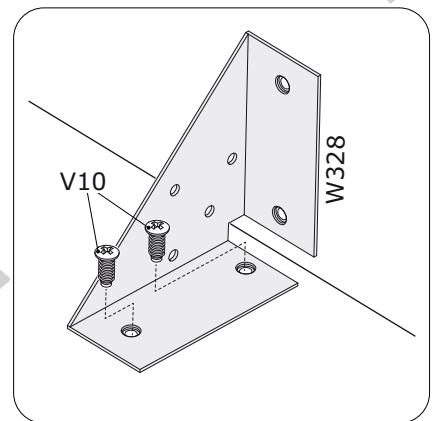
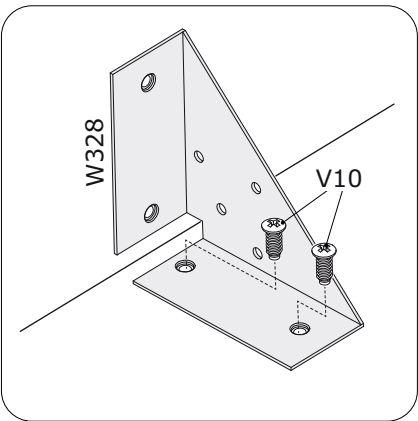
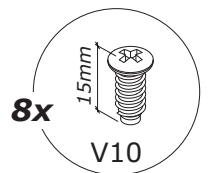
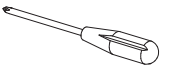
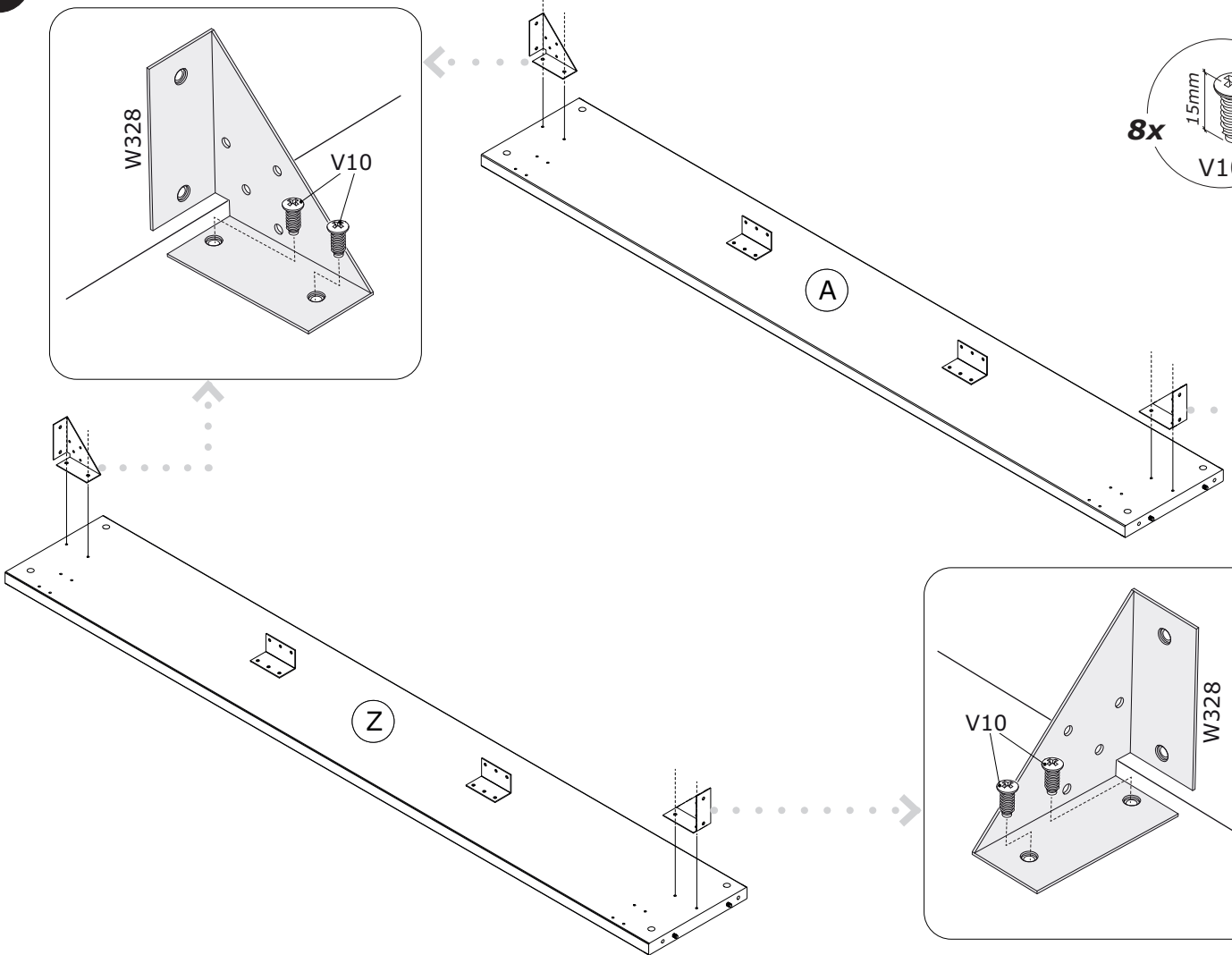
5

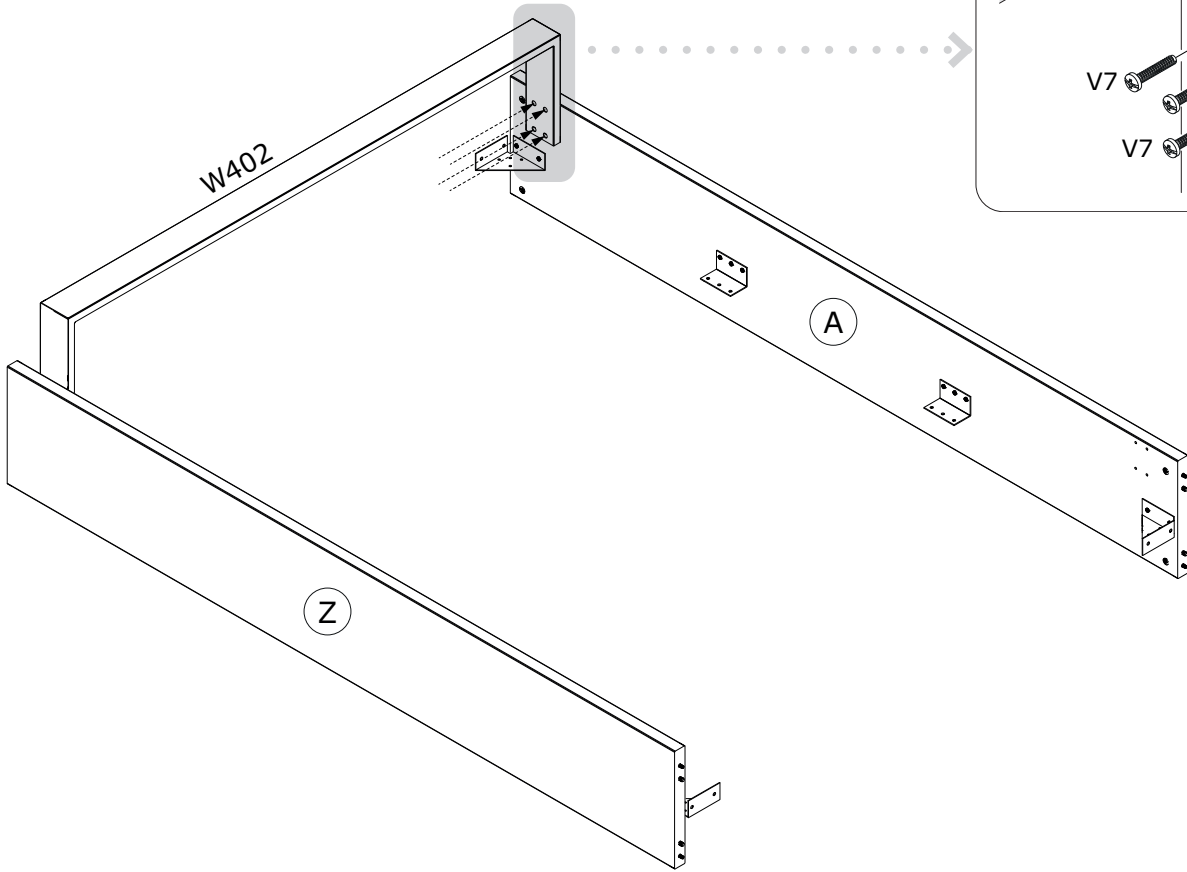
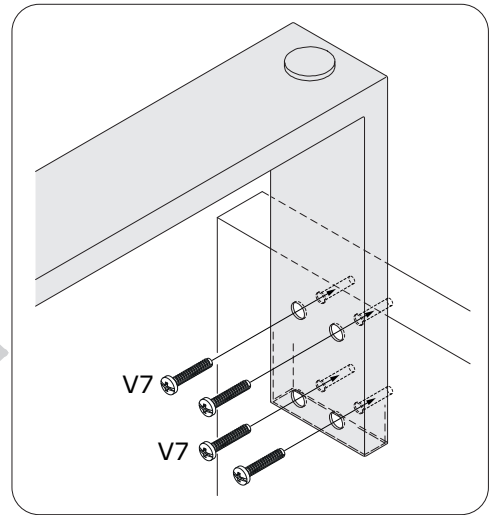
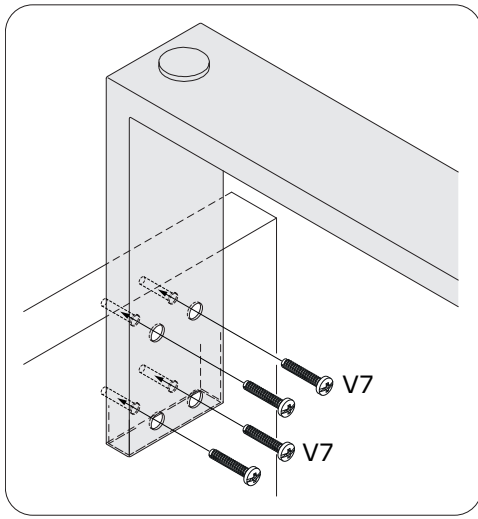
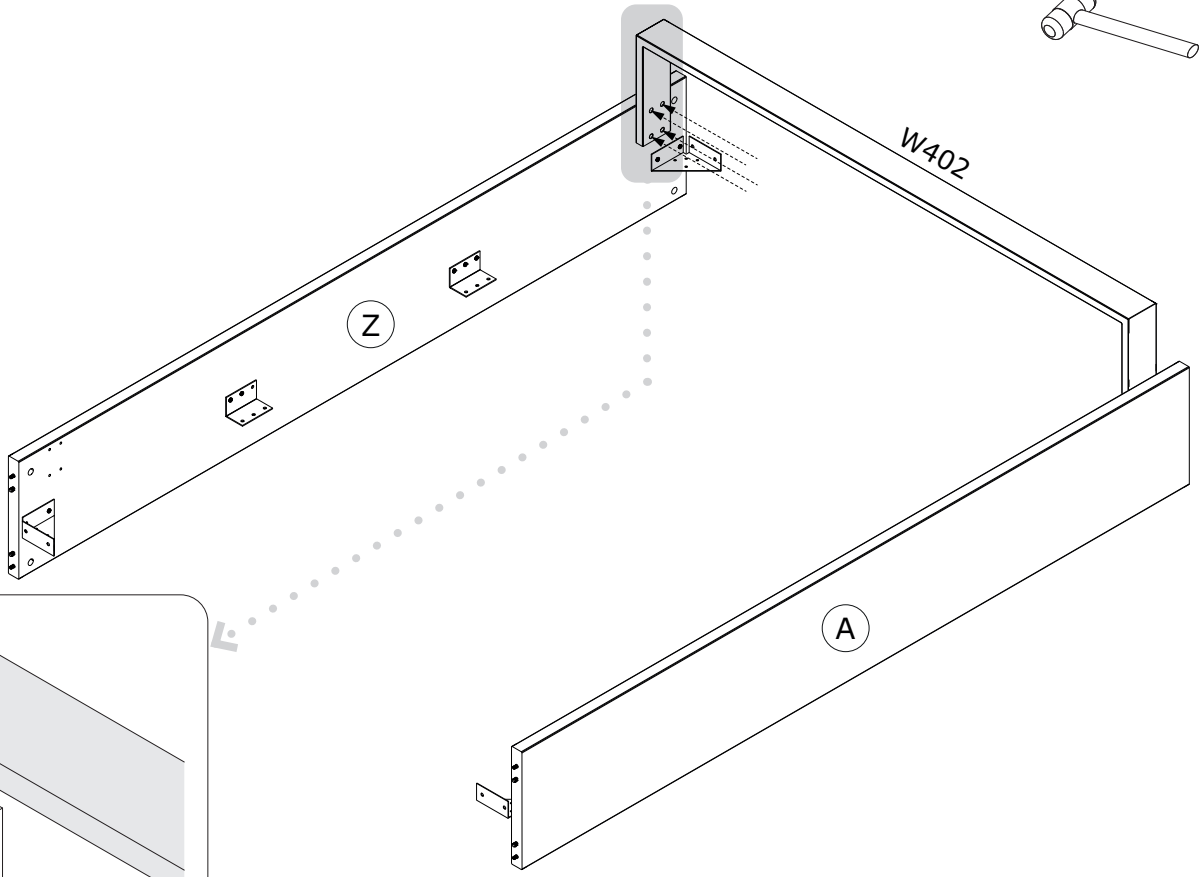
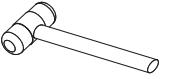
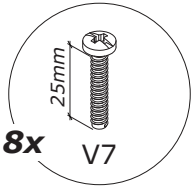


6

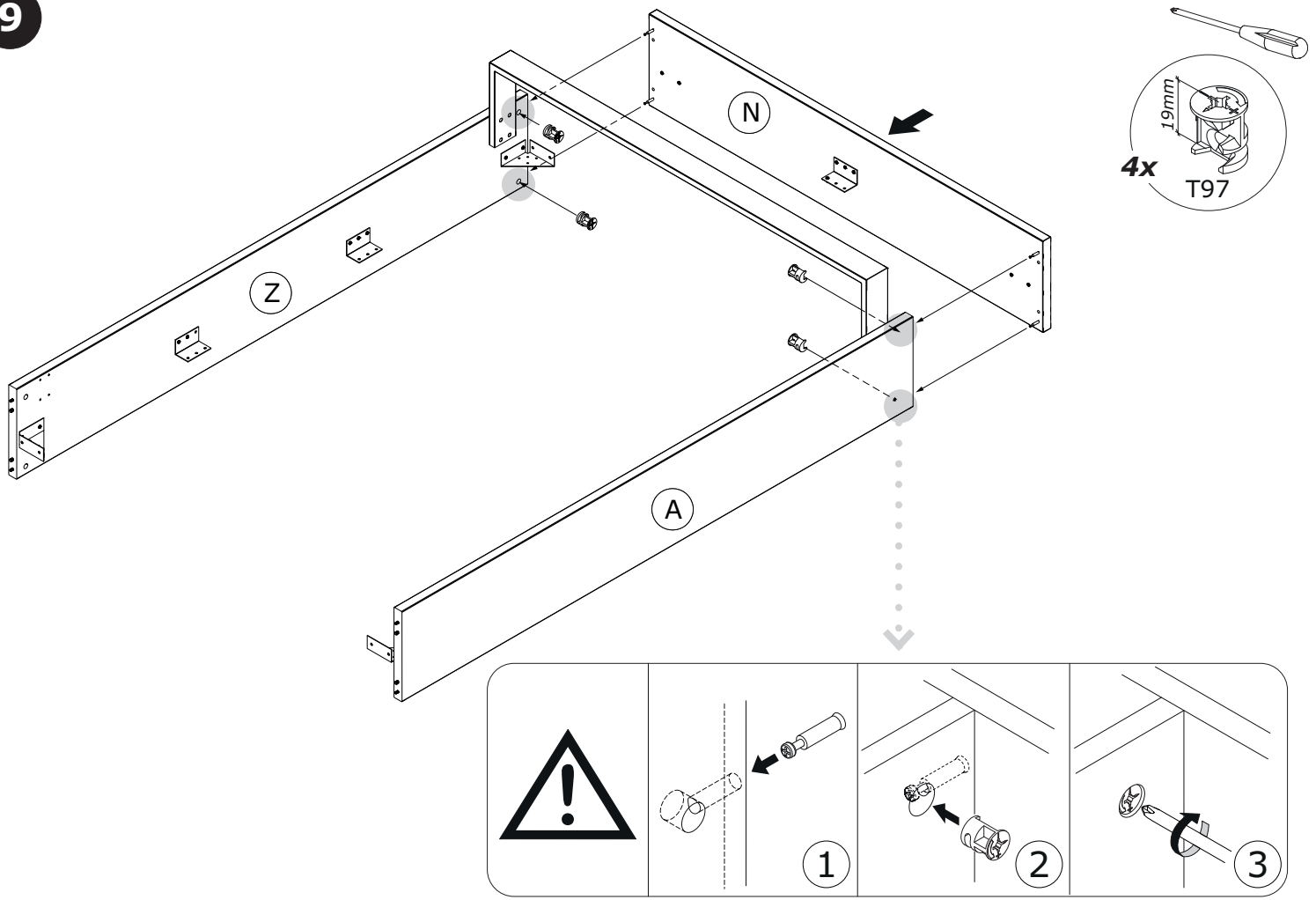


7

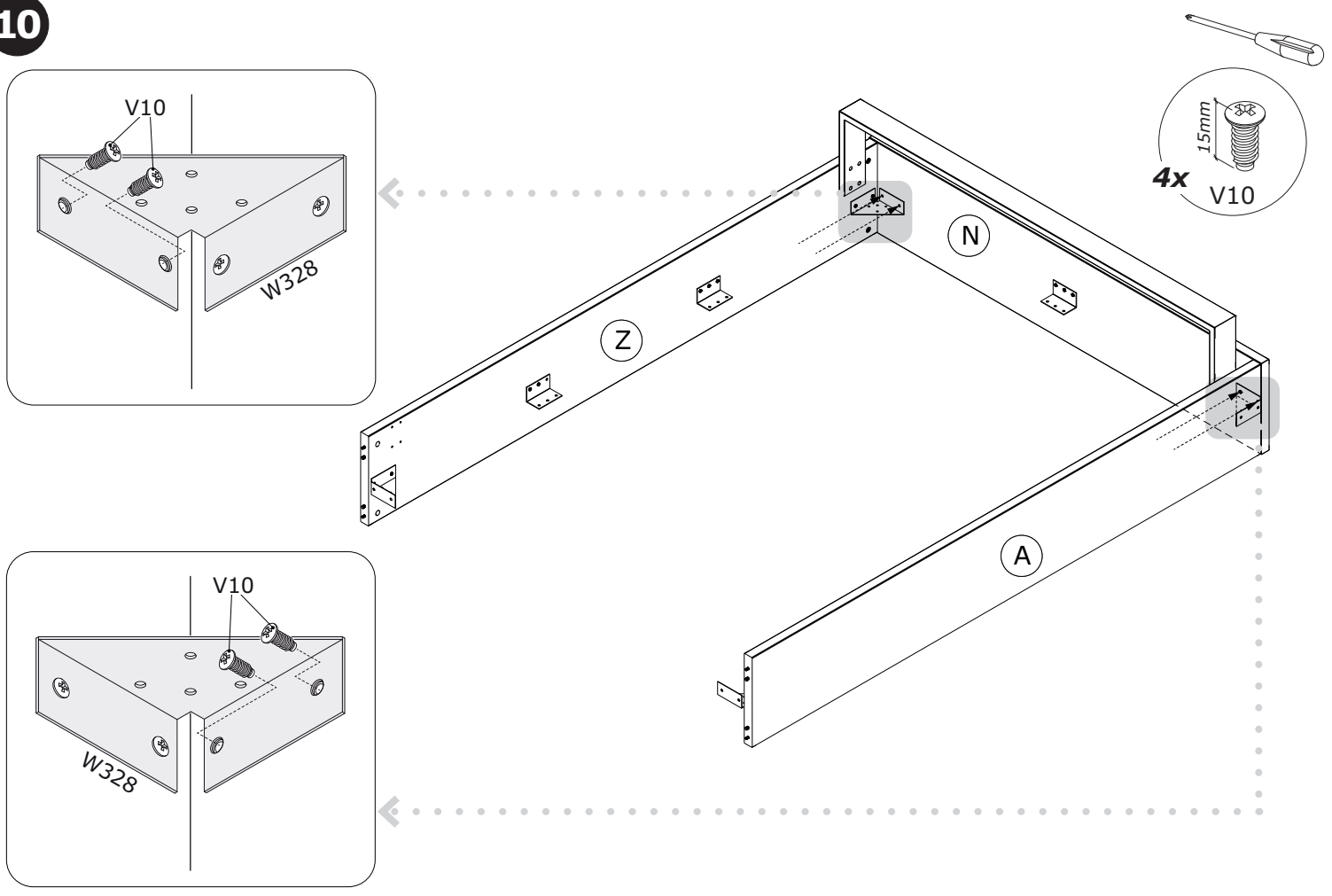




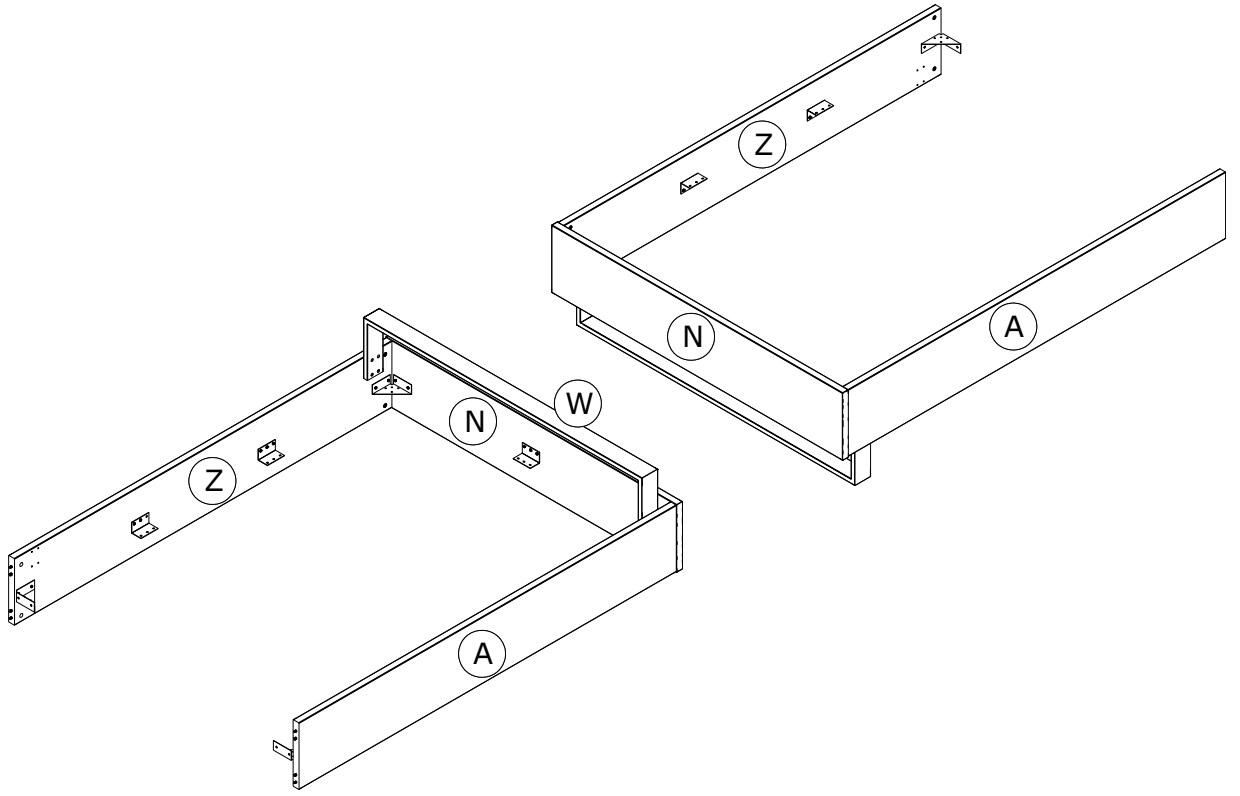
9



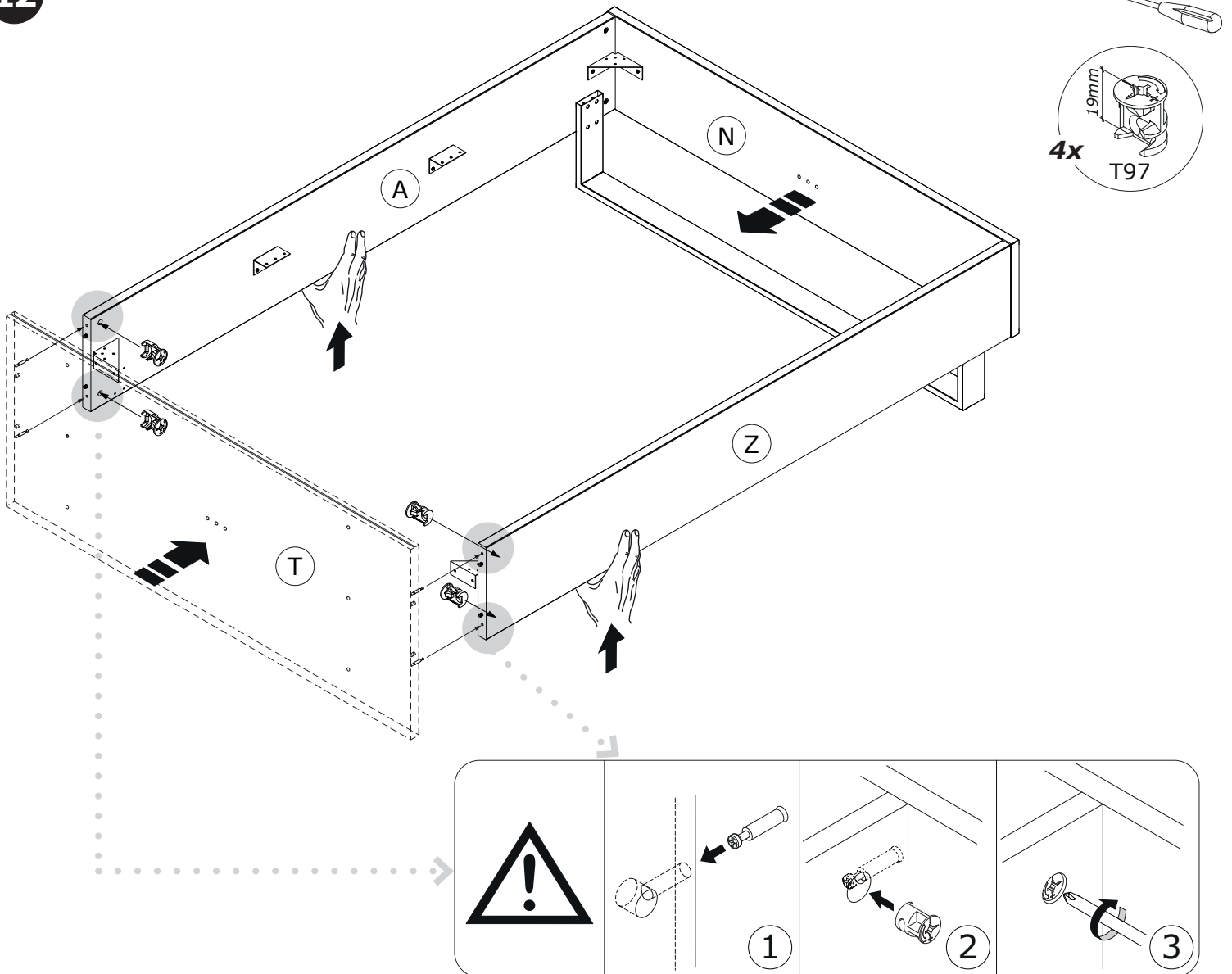
10



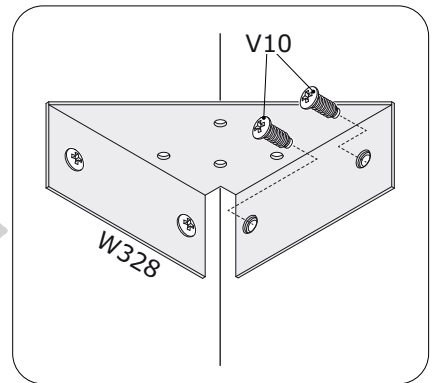
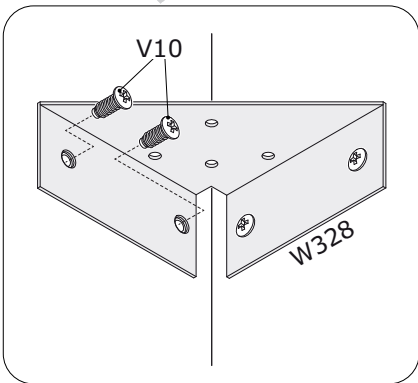
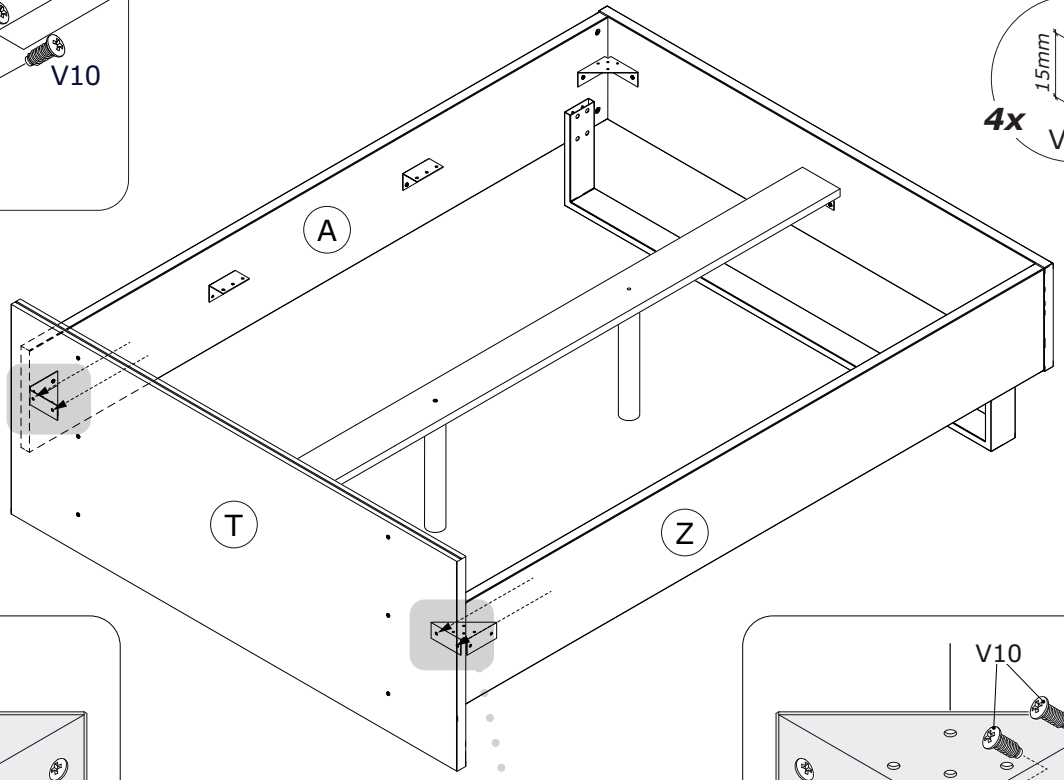
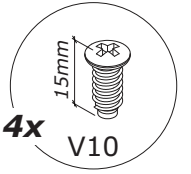
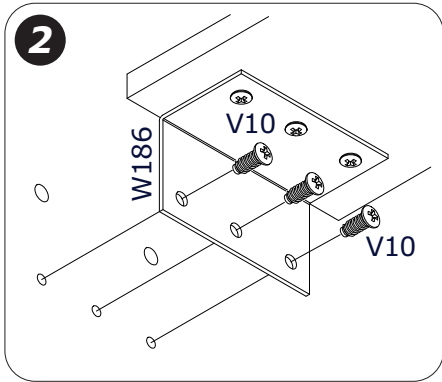
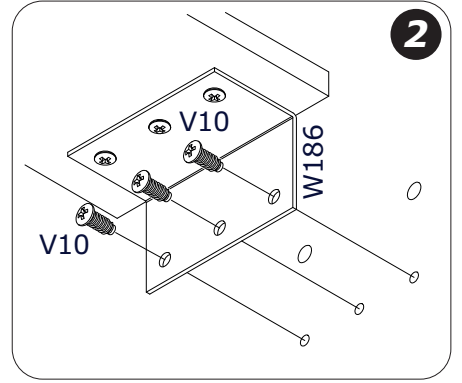
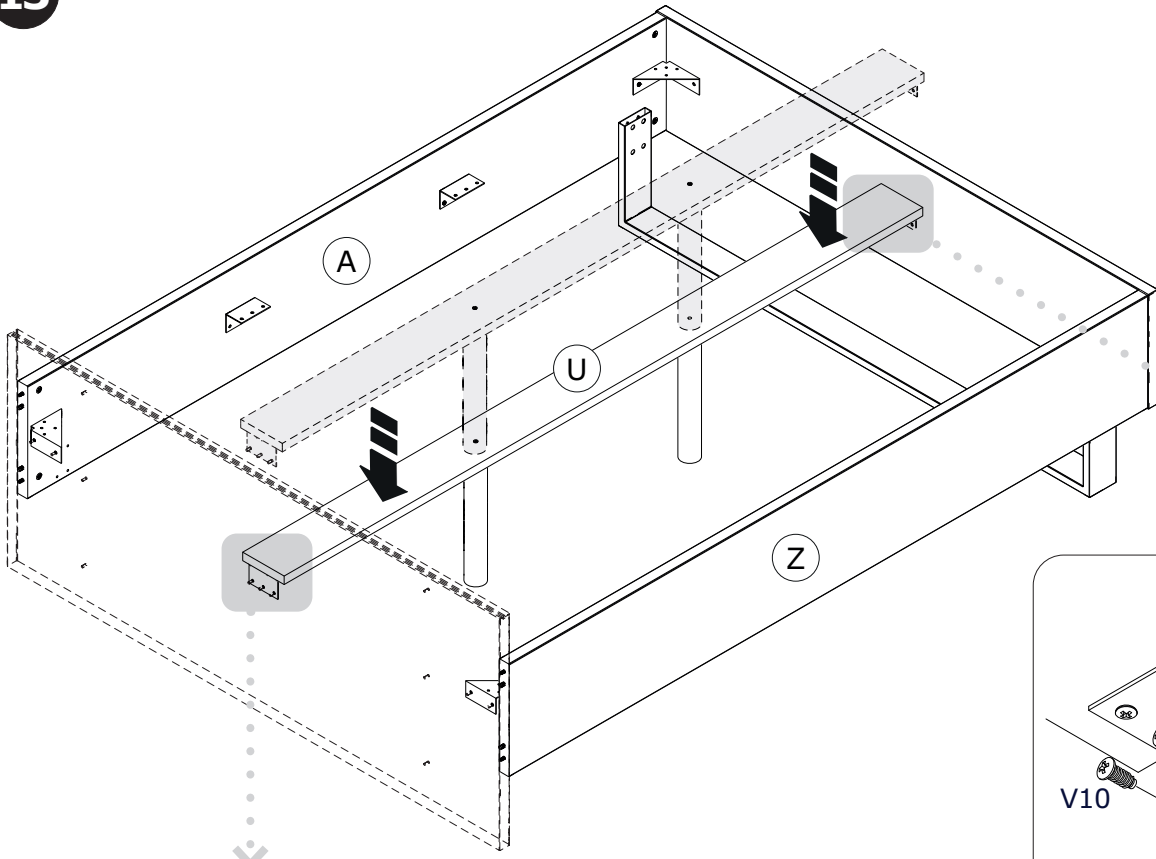
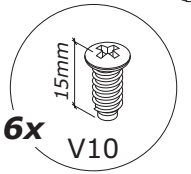
11



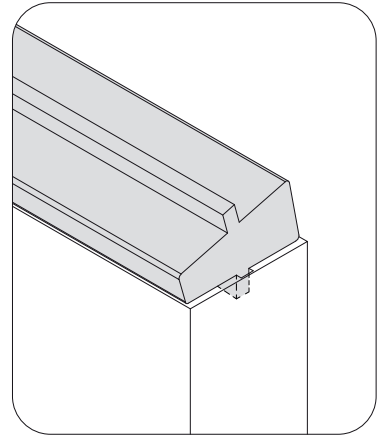
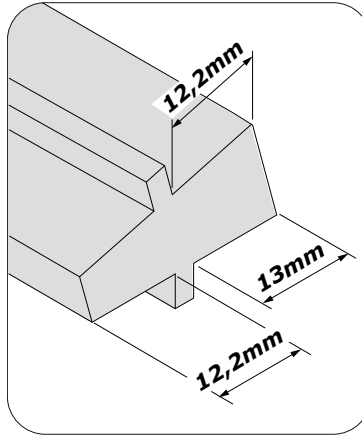
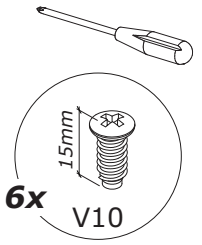
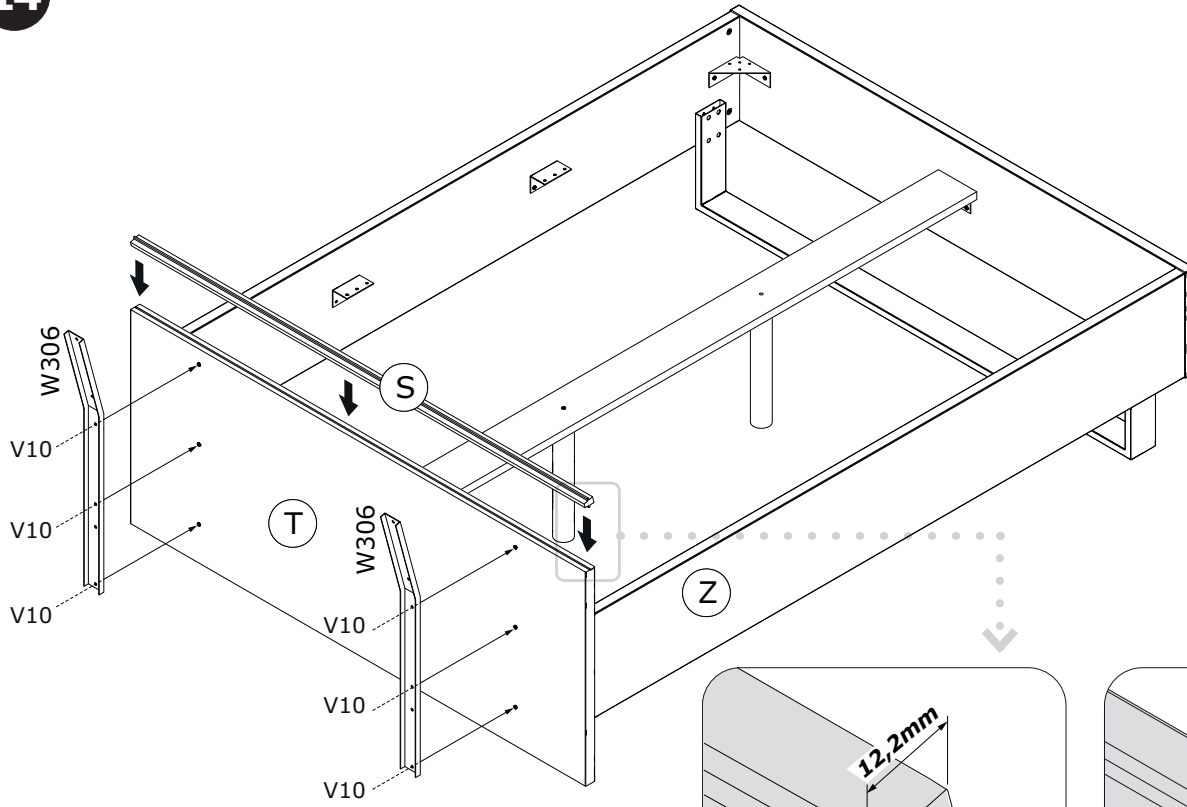
12



13



14



15

