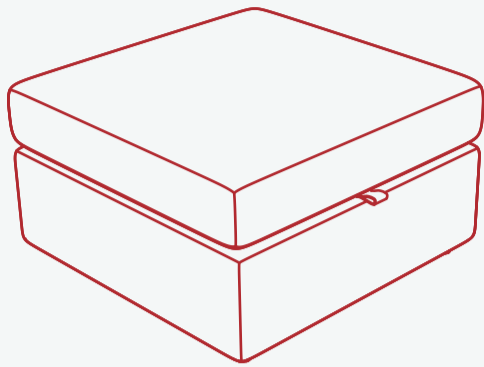


# MODULAR COUCHE - OTTOMAN

INSTRUCTION MANUAL



ULTIMATE COZY COMFORT

## TIPS & PREP

Your new couch comes with an easy tool-free assembly that you can do at home using the provided instructions. But before we dive in, here are some key tips and prep steps to make the assembly process as smooth as possible.

### Get a buddy or family member

Even though the assembly is completely tool-free, it involves lifting and aligning various parts. To make assembly easier, we suggest having at least two people there throughout the process.

### Left or right matters!

Throughout assembly, we'll mention the Left and Right Arm Panels and movements to the left and right. We'll be using "left" and "right" based on the perspective of standing in front of your couch.

### Don't overlook the glossary!

We've included a glossary with these instructions to help you identify every part and piece of hardware. If you run into any issues, consult the glossary to ensure you're using the right components.

### Unbox and check your hardware

The hardware pack for your sofa is in the seat base. Open it up, lay out each piece, and double-check with the checklist to make sure you have everything you need. If anything's missing, reach out to customer service before moving forward.

### Have your scissors handy!

Make sure you have scissors nearby. The cushions and seat pads are in compression bags. Carefully open them to prevent any damage or injury while unpacking.

### Clear the space!

We recommend putting your couch together in a roomy, clutter-free area, away from pets and little ones. Lay down a sheet to keep the couch components clean and free of debris during assembly.

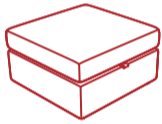
## PRODUCT LIST

Please confirm the number of sets you purchased. This list shows all the accessories included in each set.

OT

### Ottoman Module

Can be used as a footrest, extra seat, or coffee table.



A

Leg x 4

B

Cushion Cover x 1

C

Cushion Foam Insert x 1

SB

Seat Base x 1

## COUCH ASSEMBLY INSTRUCTIONS

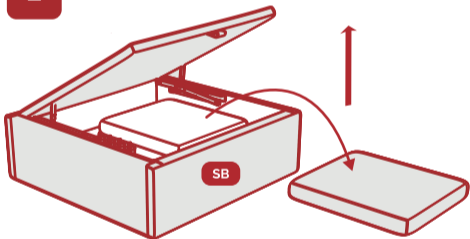
We will demonstrate the installation process using the **Ottoman Module (OT)** as an example. The remaining modules follow a similar installation method, so please follow the same process for the remaining modules.

## NOTICE:

Don't worry. It may take at least 72 hours for all compressed foam to fully regain its shape after decompression.

## STEPS

1



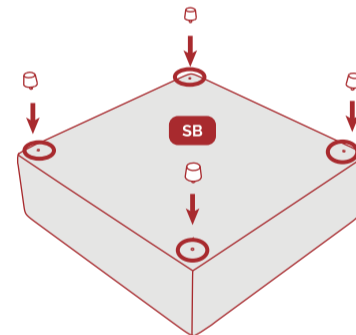
Unzip the Seat Base(SB), remove the necessary components.



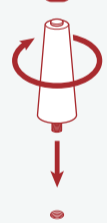
Proceed to check the quantity.

2

Install the legs(A) separately onto the seat base(SB) (4 legs).



A



All legs should be screwed in clockwise.

3



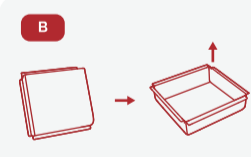
B

Cushion Cover x 1

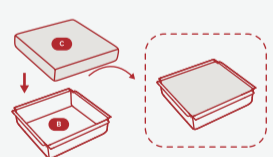


C

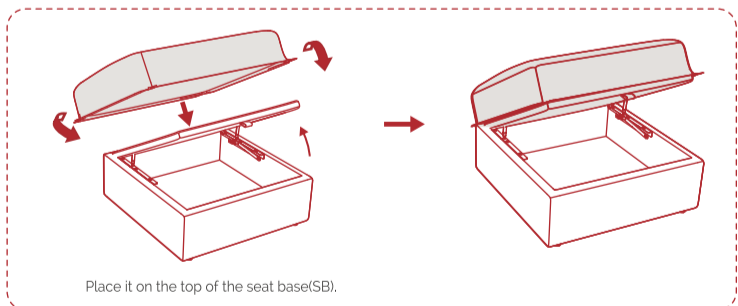
Cushion Foam Insert x 1



Lay the cushion cover(B) flat on a clean place.  
Note: The opening of the cushion cover should face upwards.

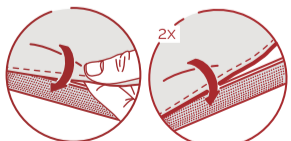


Put component the cushion foam insert (C) into component the cushion cover(B). Note: The bulging side of component C should face downwards.

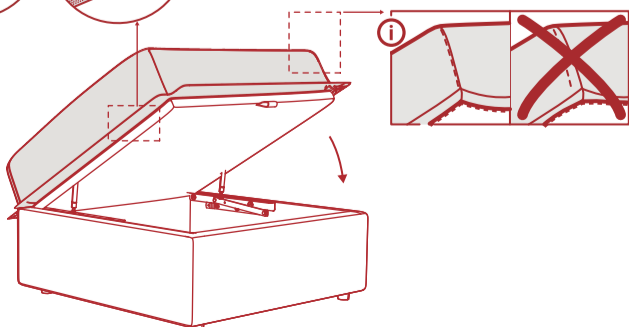


Place it on the top of the seat base(SB).

4



The cover attaches to the couch with Hook-and-loop fastener.



5

Complete the installation.

The couch covers are removable and washable.

It is recommended to use a fabric cleaner specifically designed for furniture.

Avoid washing at high temperatures.

After cleaning, it is advisable to iron the fabric before use.

