

## NOTICE

- \* Please make sure that you have all parts indicated and they are in good condition before you begin assembly of this item. Refer to part list and hardware list below for guidance.
- \* This item should be assembled on a soft surface to prevent scratching the finish during assembly.
- \* This item may require periodic tightening.
- \* If you are having difficulty, our friendly Customer Care team is always here to help.


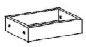



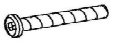


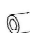


## PREPARATION

- \* Before beginning assembly of product, make sure all parts are present. Compare parts with part contents list and hardware contents list.
- \* If any part is missing or damaged, do not attempt to assemble the product.
- \* Estimated Assembly Time: 20 minutes.
- \* Tools Required for Assembly (included): Allen key

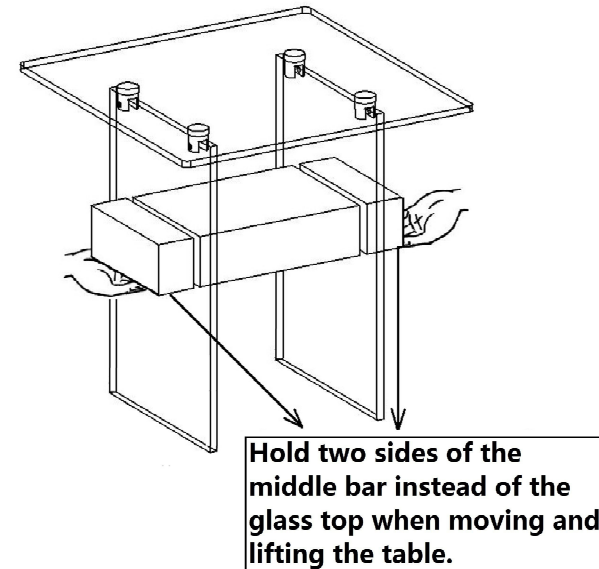
## CARE AND MAINTENANCE

Always use felt pads under all articles to prevent discoloration or softening of the lacquer. Plastic and rubber bases on items can discolor wood. Wipe up spills immediately and avoid common hazards such as hot dishes, harsh solvents and abrasives. Cleaning should be done with a soft lint free cotton cloth dampened with water or furniture polish. On highly used surfaces we recommend applying a quality paste wax which should be used on a regular basis to provide additional protection from scratches and spills. How often you apply the wax depends on how much wear the furniture receives.

## Part List and Hardware List

PIECE	PICTURE	QUANTITY
A		1x
B		1x
C		2x
D		2x
HW1	 Phillips Screws 6x0.5x8mm	4x
HW2	 Phillips Screws 6x0.5x45mm	4x
HW3	 Flat Washer 6mm	4x
HW4	 aluminium plate $\Phi 30 \times 25 \text{mm}$	4x
HW5	 Rubber sleeve $\Phi 14 \times 11 \text{mm}$	4x
HW6	 EVA foam mat 50x10mm	4x
HW7	 Allen key	1x

Product Dimensions: 19.7Wx19.7Dx19.7H"



**Weight Capacity : 88 LBS**

**Warning : Do not stand on table**

**Warning : Do not over torque bolts**

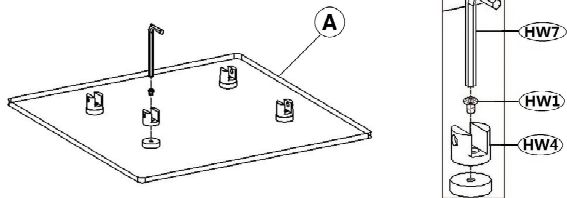


**Hardware is located inside the box. You can find them placed near the sign 'HARDWARE INSIDE'**

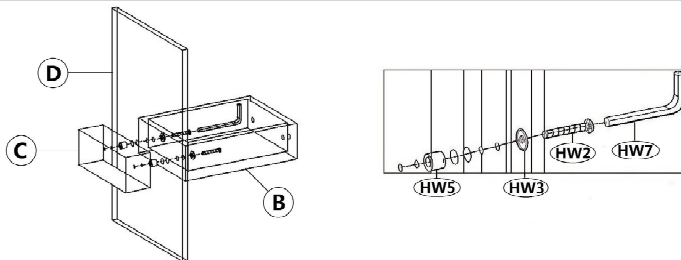
## PREPARATION

- \* Before beginning assembly of product, make sure all parts are present. Compare parts with part contents list and hardware contents list.
- \* If any part is missing or damaged, do not attempt to assemble the product.
- \* Estimated Assembly Time: 20 minutes.
- \* Tools Required for Assembly (included): Allen key
- \* If you are having difficulty, our friendly Customer Care team is always here to help. Please email [customersupport@safavieh.com](mailto:customersupport@safavieh.com).

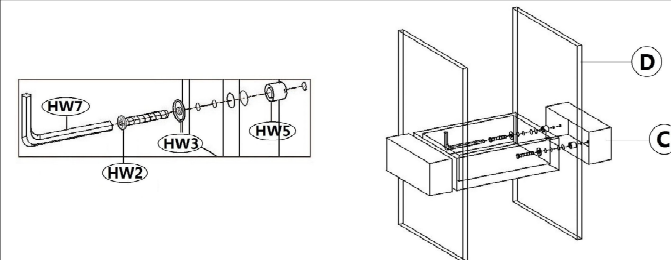
Hardware is located inside the box. You can find them placed near the sign 'HARDWARE INSIDE'



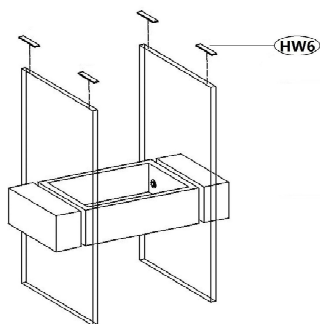
**STEP 1:** Carefully place the Glass Table Top (A) face down on a clean, non-marring surface. Attach the Aluminum Plate (HW4) to glass clip of Glass Table Top (A) by using Screw (HW1) with Allen Key (HW7).



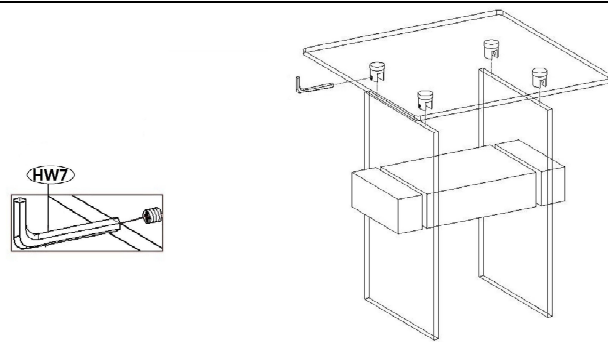
**STEP 2:** Insert the Rubber sleeve (HW5) into the mounting positions of Glass Leg (D). With an adult assistant, align with the mounting positions of Middle Board (B), Glass Leg (D) and Side Board (C). Attach them by using Screw (HW2) and Flat Washers (HW3) with Allen Key (HW7). The empty side of Middle Board (C) should face down to the long side under mounting position of Glass Leg (B).



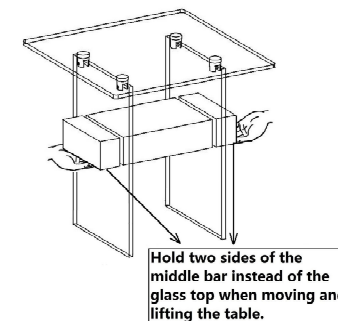
**STEP 3:** Repeat Step 2 to attach the Side Board (C) and Glass Leg (D) to another side of Middle Board (B).



**STEP 4:** Carefully place table base with the empty side of the middle board skywards, and attach the EVA Foam Mat (HW6) on the four corners of glass legs. Keep EVA Foam Mat (HW6) 2 inch away from glass edge.



**STEP 5:** Carefully insert the glass table top onto the glass legs by aligning into the slots of glass clips. Tighten the side screws of the glass clips with Allen Key (HW7). Your table is ready for use.



Hold two sides of the middle bar instead of the glass top when moving and lifting the table.