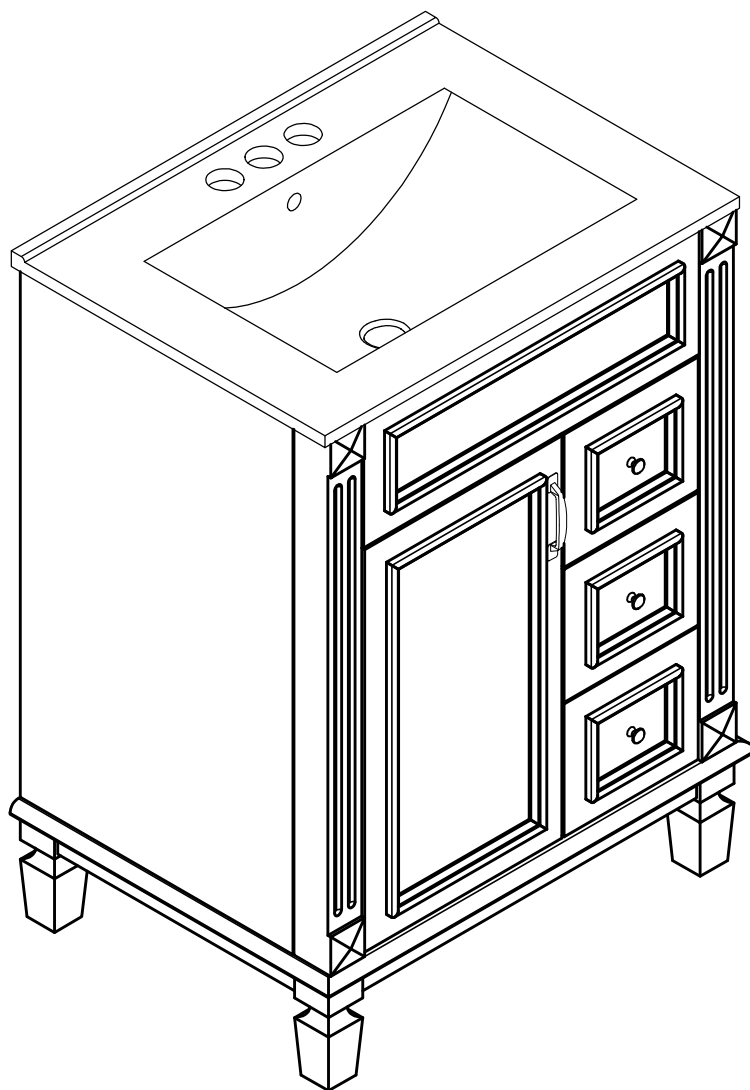


# ASSEMBLY INSTRUCTION

## 24INCH BATH VANTINY (COMBO)

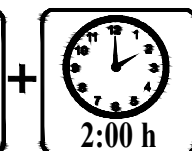
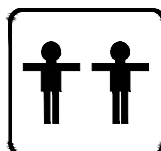
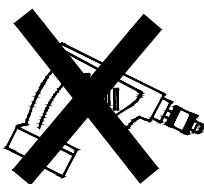


Thank you for purchasing this quality product. Be sure to check all pack material carefully for small parts which may have come loose inside the carton during shipment. Separate, identify and count all parts and hardware.

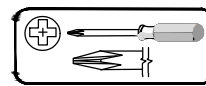
Compare with the parts list to be sure all parts are present.

**"DO NOT TIGHTEN SCREWS UNTIL COMPLETELY ASSEMBLED"**

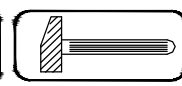
**\*Use of power tool to assemble this product will invalidate any claim and damage this product making unsafe !!!**  
**\*Please assemble on a clean soft surface to avoid damage.**



Tools Required



(Not included)



(Not included)

**IMPORTANT:**

**PLEASE READ INSTRUCTION BEFORE STARTING THE ASSEMBLY**

Thank you for buying our products.

Please read the installation manual carefully before installation, we need you to follow the instructions on the accessories and hardware

step by step assembly complete, our instructions are very detailed.

Products are environmentally friendly products

Please rest assured that you do not soak in water, do not place very heavy items, do not malicious push and pull.

if you have any problems in the process of assembly and use, please contact us.

Thank you again for your purchase of our products,

I wish you a happy life.

# Before Installation

Important – Please read these instructions fully before starting assembly

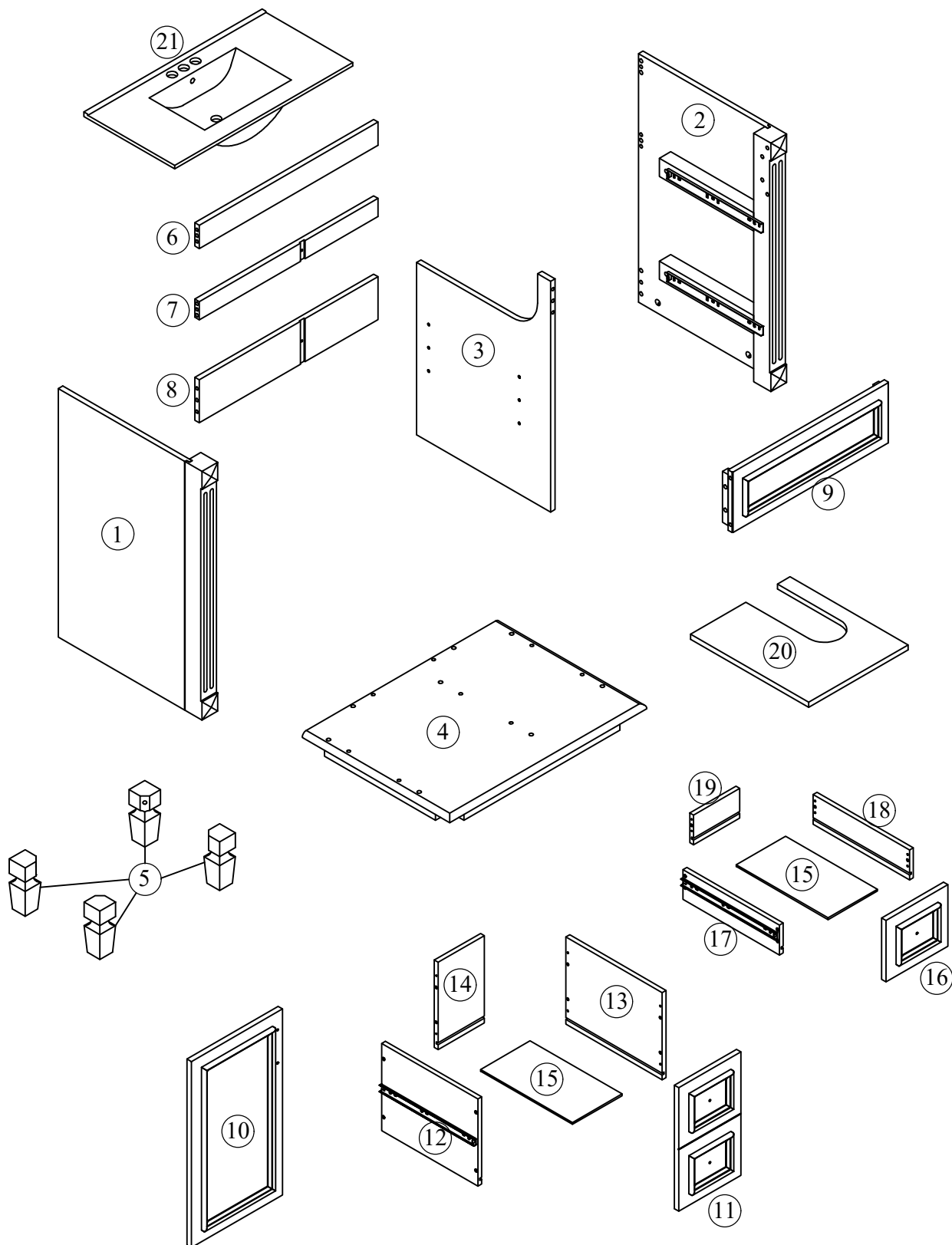
Thank you for purchasing this quality product. Be sure to check all packing materials carefully for small parts, which may have come loose inside the carton during shipment. Identify and count all items according to the PARTS LIST and/or HARDWARE LIST shown below. Check you have all the components and tools listed on the following pages.

- We recommend that you assemble this product with the assistance of another person; this will make the assembly easier, and will help eliminate damage to the product or injury to persons during assembly.
- Please do not over tighten screws or bolts until the assembly is completed.
- Keep children and animal away from the work area, small parts could choke if swallowed.
- Please put all parts on a non-abrasive floor before assembly, and follow the assembly steps to assemble your newly purchased product correctly and efficiently.

## Cam Lock Assembly Instructions

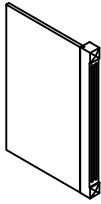
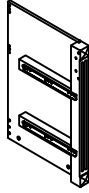
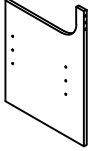
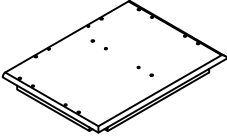

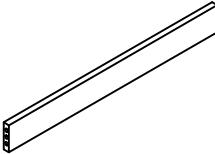
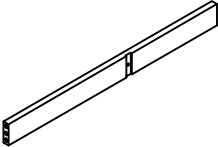
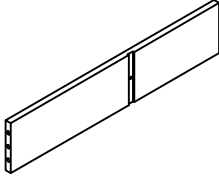
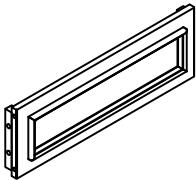
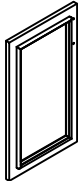
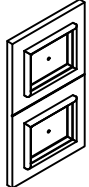
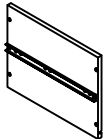
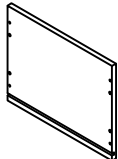
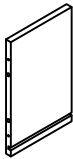
	<p>Diagram A</p>	<p>Insert Cam Bolt into hole as shown in diagram A.</p>
	<p>Diagram B</p>	<p>Make sure not to insert the Cam Bolt: Too deep as shown in figure B as this will cause the Cam Lock to be misaligned and unable to interlock properly.</p>
	<p>Diagram C</p>	<p>Also avoid inserting the Cam Bolt too close to the surface of the hole as shown in figure C, as this will cause the Cam Lock to be too loose, and not interlock properly.</p>
		<p>Connect the panels together.</p>
	<p>ARROW SIGN</p>	<p>Insert the Cam Lock so the side opening fits over the head of the Cam Bolt.</p>
		<p>To tighten the Cam Lock, turn it clockwise on half a turn with a flat screwdriver. <i>*Do not use an automatic screwdriver as it may bend or break if too much power is imposed.</i></p>

# Detail View - CABINET

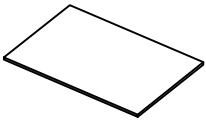
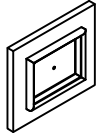
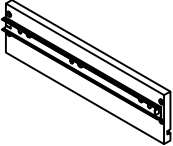
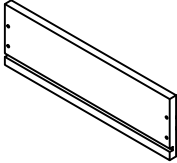
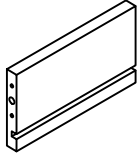
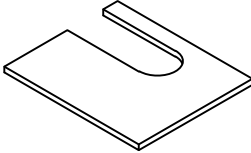
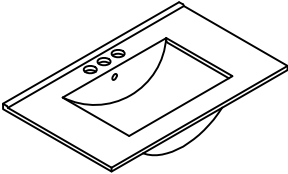


Identifying the Hardware -Identify the hardware using the illustrations below.





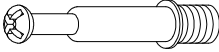





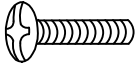
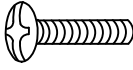
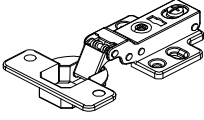
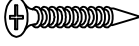




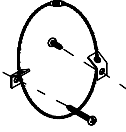
# Part List

<p>1</p>  <p>Top Side Panel (L) - 1pc</p>	<p>2</p>  <p>Top Side Panel (R) - 1pc</p>
<p>3</p>  <p>Mid Panel - 1pc</p>	<p>4</p>  <p>Base Frame - 1pc</p>
<p>5</p>  <p>Cabinet Feet - 4pcs</p>	<p>6</p>  <p>Top Panel Rear - 1pc</p>
<p>7</p>  <p>Mid Panel Rear - 1pc</p>	<p>8</p>  <p>Bottom Panel Rear - 1pc</p>
<p>9</p>  <p>Drawer Face - 1pc</p>	<p>10</p>  <p>Cabinet Door - 1pc</p>
<p>11</p>  <p>Bottom Drawer Face - 1pc</p>	<p>12</p>  <p>Bottom Drawer Side Panel (L) - 1pc</p>
<p>13</p>  <p>Bottom Drawer Side Panel (R) - 1pc</p>	<p>14</p>  <p>Bottom Drawer Back Panel - 1pc</p>



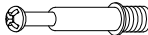
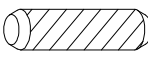
# Part List

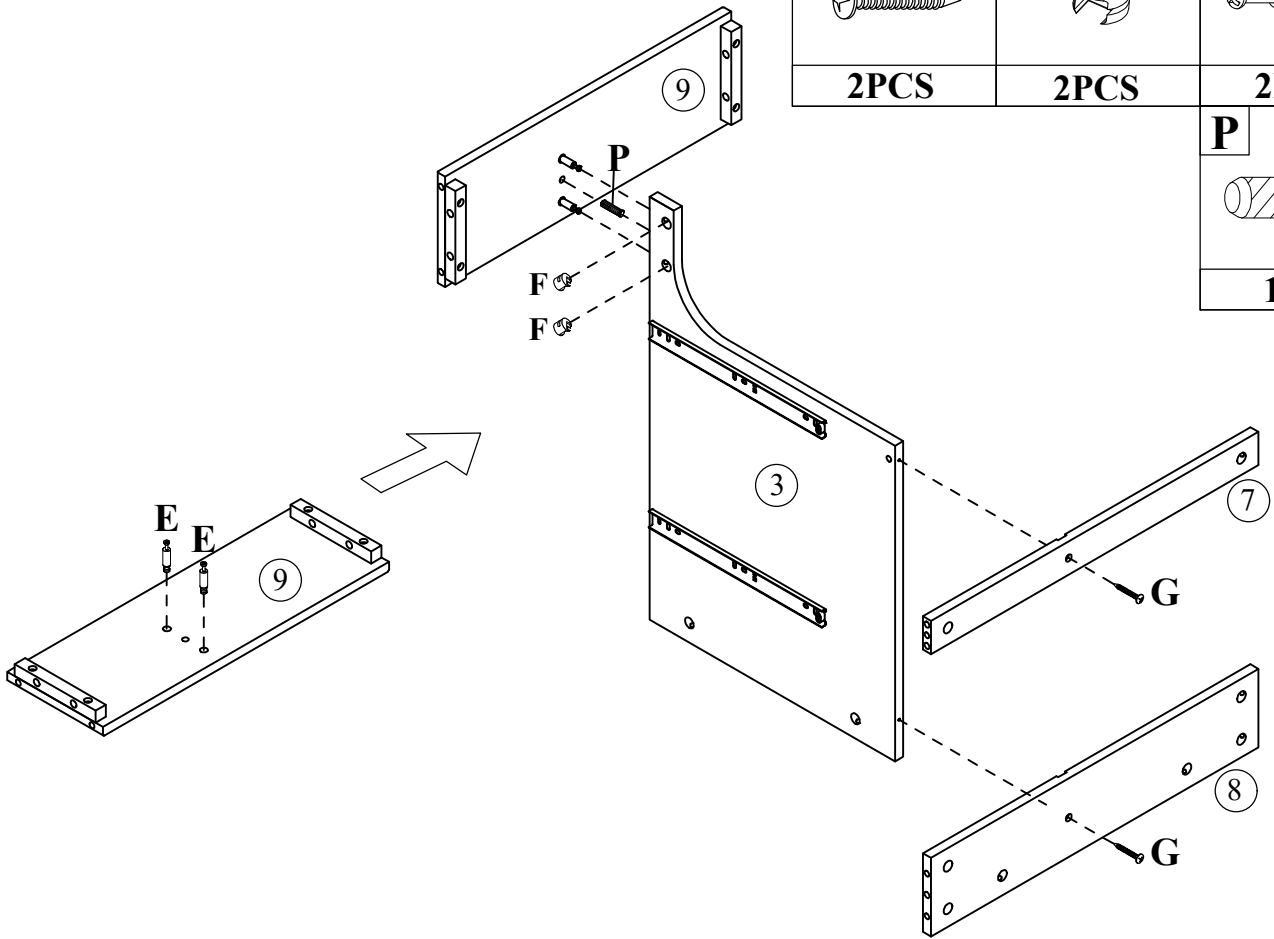
<p>15</p>  <p>Bottom Drawer Panel - 2pcs</p>	<p>16</p>  <p>Top Drawer Face - 1pc</p>
<p>17</p>  <p>Top Drawer Side Panel (L) - 1pc</p>	<p>18</p>  <p>Top Drawer Side Panel (R) - 1pc</p>
<p>19</p>  <p>Top Drawer Back Panel - 1pc</p>	<p>20</p>  <p>Adjustable Shelf - 1pc</p>
<p>21</p>  <p>Sink - 1pc</p>	

# Hardware List

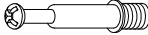
<p><b>A</b></p>  <p>ø13x1/4"x32mm</p>	<p><b>B</b></p>  <p>ø13x1/4"x40mm</p>	<p><b>C</b></p>  <p>ø1/4"x16x1mm</p>
<p>Hex-Head bolts - 4pcs</p>	<p>Hex-Head bolts - 4pcs</p>	<p>Flat Washer - 8pcs</p>
<p><b>D</b></p>  <p>ø1/4"x10x1.2mm</p>	<p><b>E</b></p>  <p>ø6x35mm</p>	<p><b>F</b></p>  <p>ø14.5x12mm</p>
<p>Lock Washer - 8pcs</p>	<p>Three in one bolts - 20pcs</p>	<p>Three in one lock - 20pcs</p>
<p><b>G</b></p>  <p>ø8xø4x25mm</p>	<p><b>H</b></p>  <p>ø8xø4x32mm</p>	<p><b>I</b></p>  <p>ø29x24mm</p>
<p>Round head screw - 2pcs</p>	<p>Round head screw - 16pcs</p>	<p>Handle - 3pcs</p>
<p><b>J</b></p>  <p>128 x 18 x 23mm</p>	<p><b>K</b></p>  <p>ø5/32"x38mm</p>	<p><b>L</b></p>  <p>ø5/32"x20mm</p>
<p>Handle - 1pc</p>	<p>Handle screw - 3pcs</p>	<p>Handle screw - 2pcs</p>
<p><b>M</b></p> 	<p><b>N</b></p>  <p>ø7xø3.5x12mm</p>	<p><b>O</b></p> 
<p>Damping hinge - 2pcs</p>	<p>Flat head screw - 12pcs</p>	<p>Laminate pad - 4pcs</p>
<p><b>P</b></p>  <p>ø8x30mm</p>	<p><b>Q</b></p>  <p>ø6x30mm</p>	<p><b>R</b></p>  <p>4mm</p>
<p>Wood dowel - 21pcs</p>	<p>Wood dowel - 12pcs</p>	<p>Allen key - 1pc</p>
<p><b>S</b></p>  <p>Anti fall hardware (2sets)</p>		

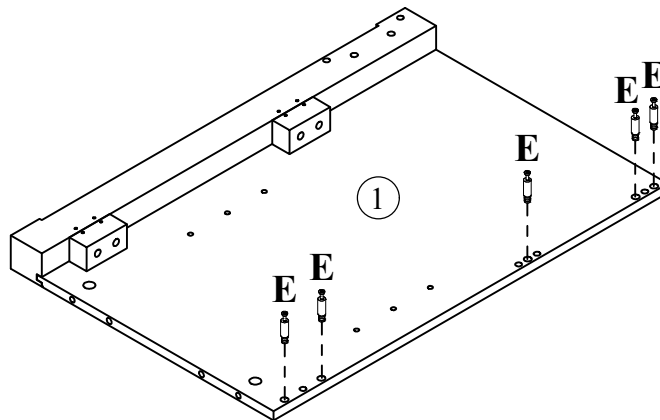
# STEP: 1

<b>G</b> 	<b>F</b> 	<b>E</b> 
<b>2PCS</b>	<b>2PCS</b>	<b>2PCS</b>
		<b>P</b> 
		<b>1PC</b>


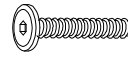


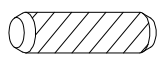



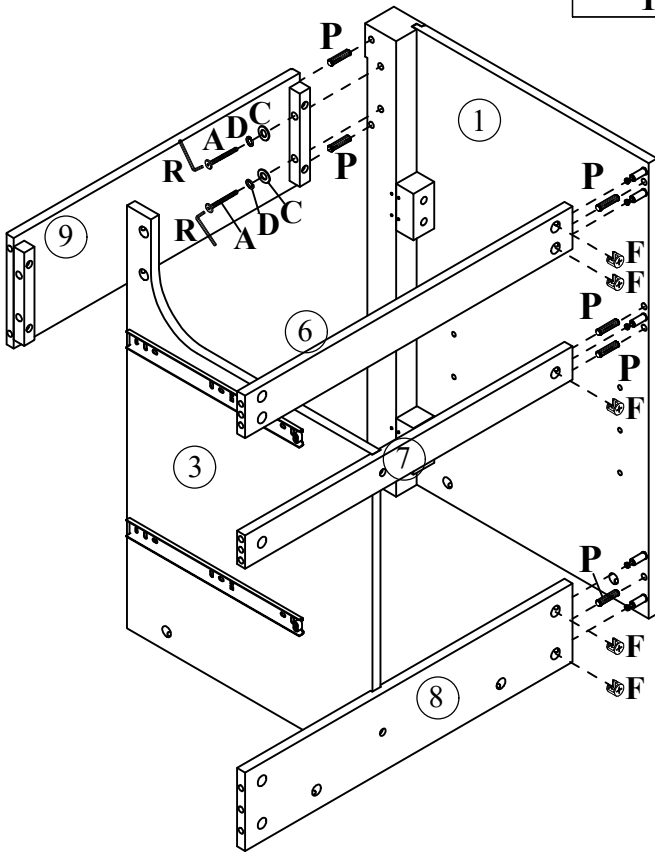
# STEP: 2

<b>E</b> 
<b>5PCS</b>

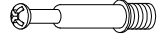


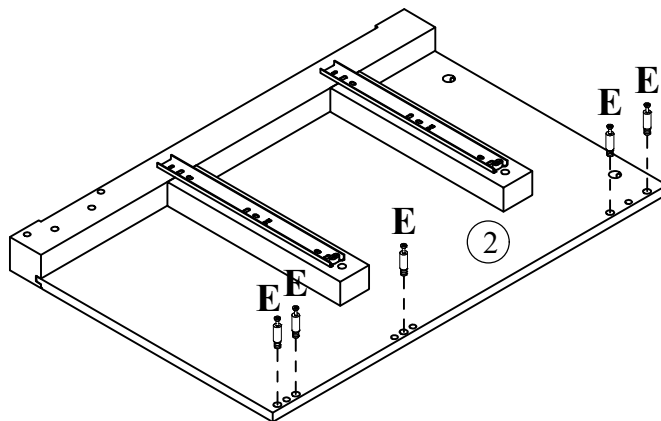
### STEP: 3

<b>R</b> 	<b>A</b> 	<b>C</b> 	<b>D</b> 
1PC	2PCS	2PCS	2PCS
		<b>P</b> 	<b>F</b> 
		6PCS	5PCS

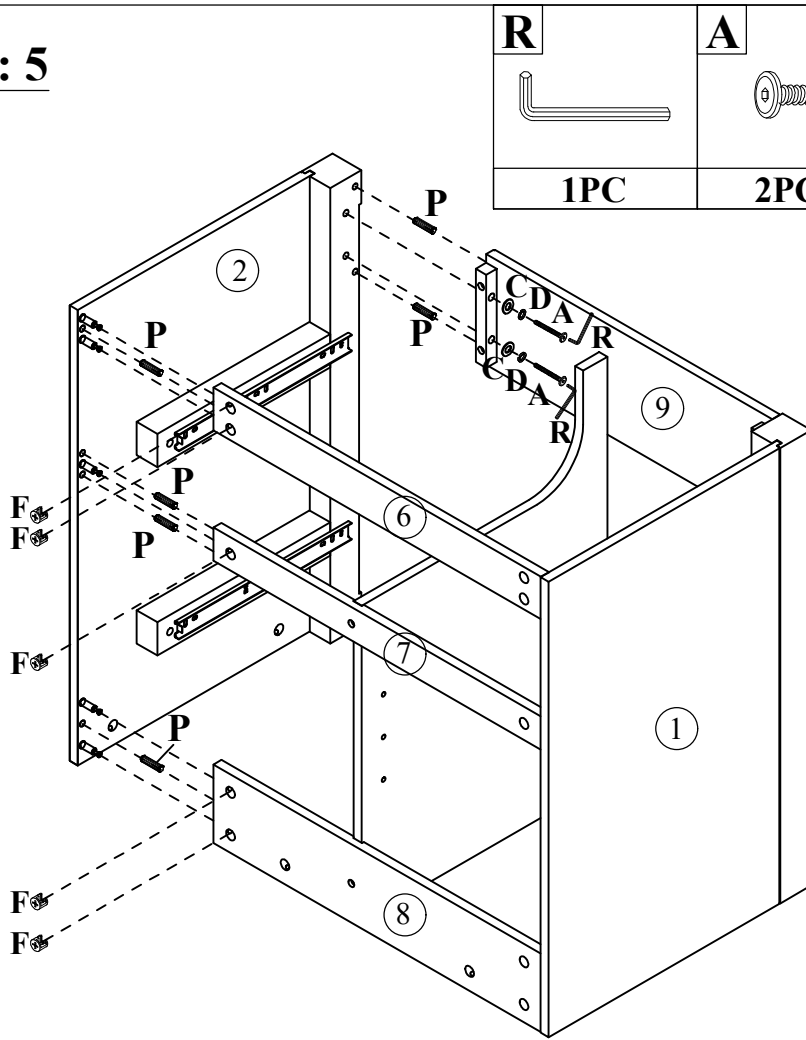



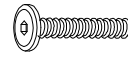


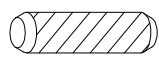

### STEP: 4

<b>E</b> 
5PCS

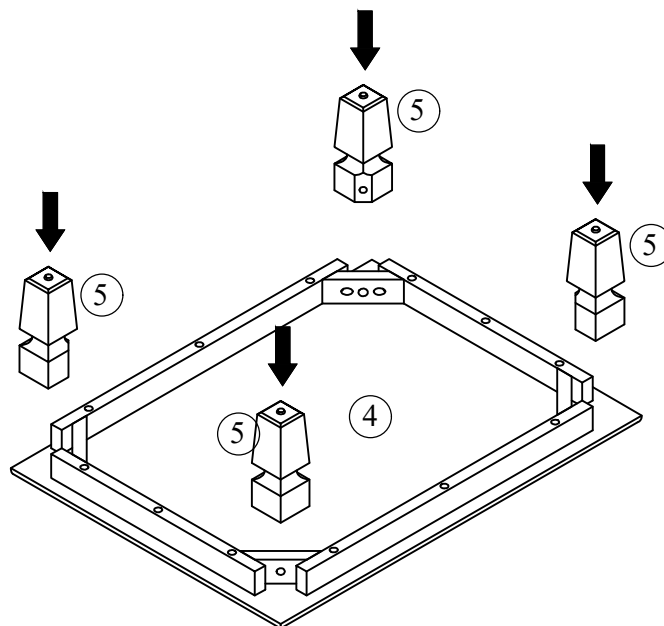


# STEP: 5







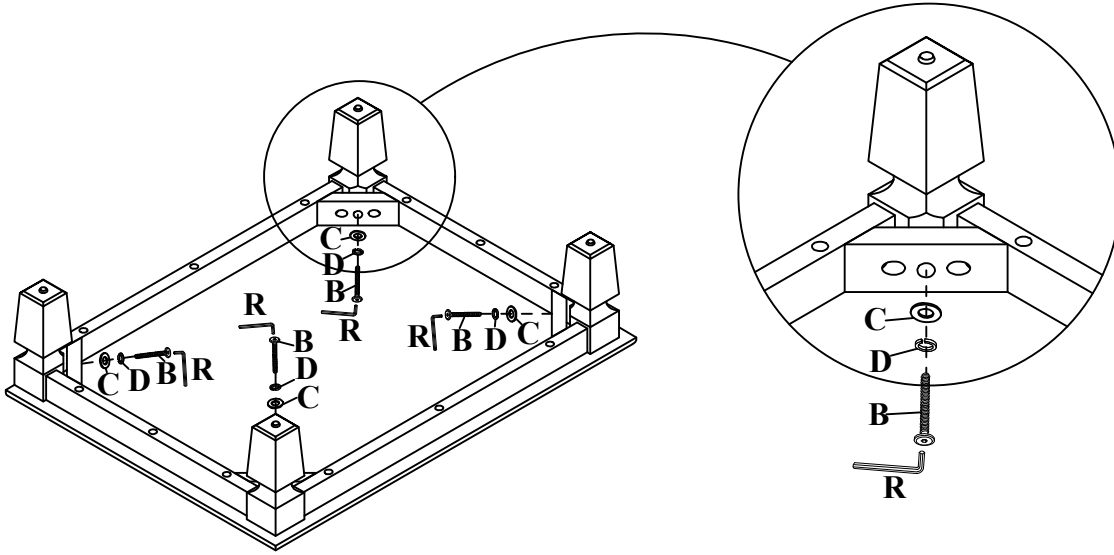
<b>R</b> 	<b>A</b> 	<b>C</b> 	<b>D</b> 
1PC	2PCS	2PCS	2PCS
		<b>P</b> 	<b>F</b> 
		6PCS	5PCS

# STEP: 6

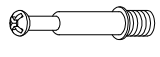


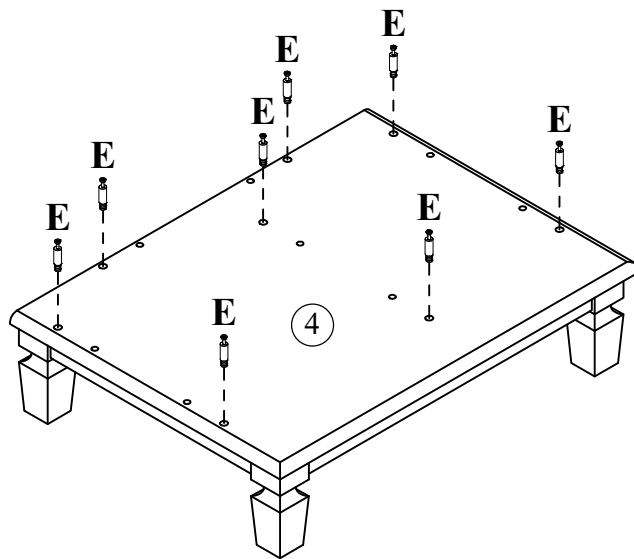
# STEP: 7

<b>R</b> 	<b>B</b> 	<b>C</b> 	<b>D</b> 
1PC	4PCS	4PCS	4PCS





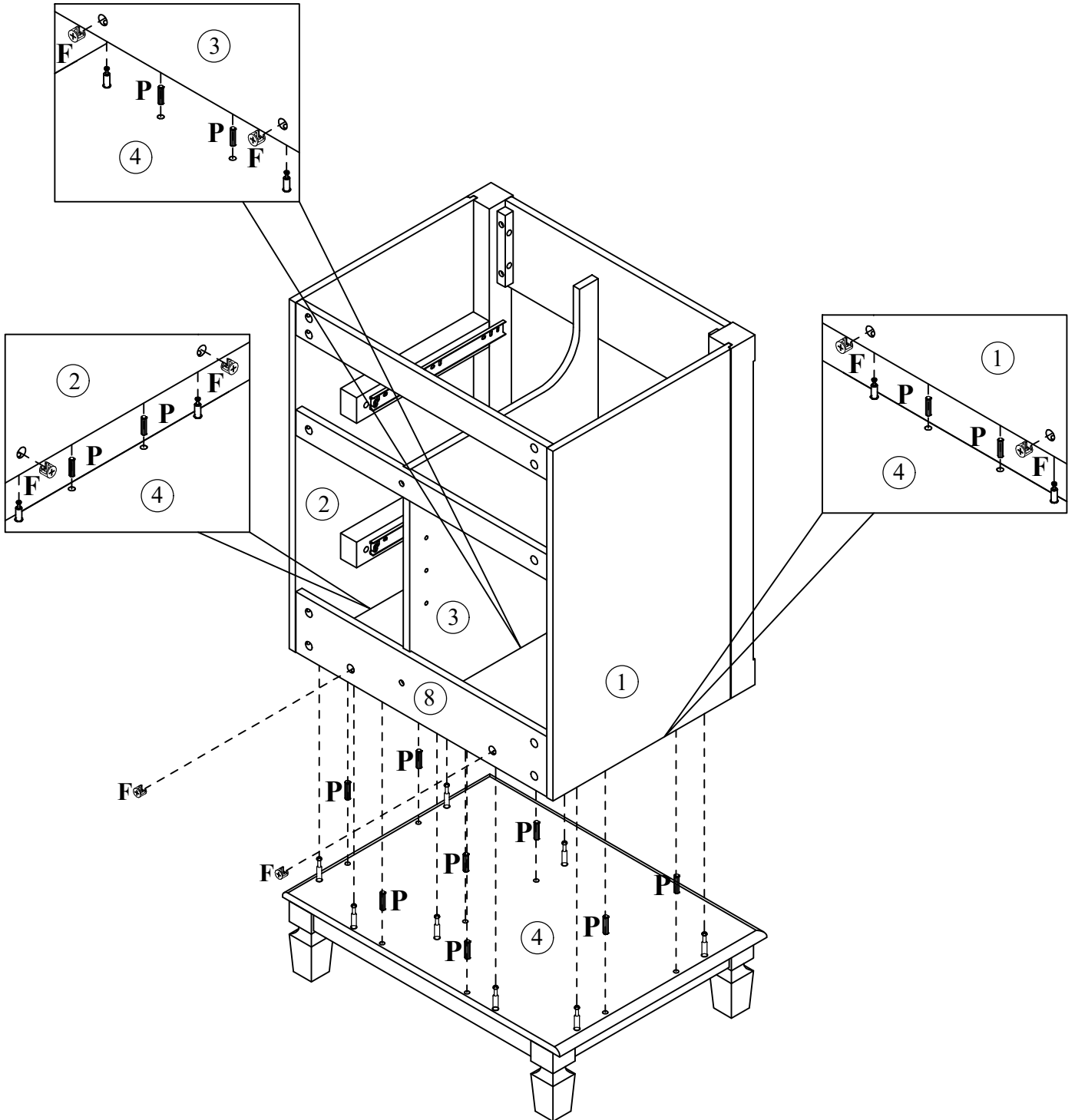
# STEP: 8

<b>E</b> 
8PCS

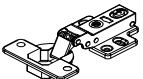



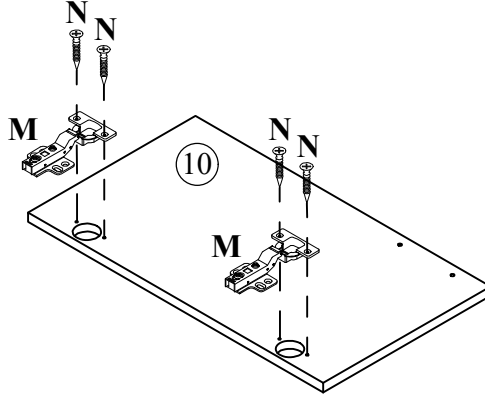
# STEP: 9

<b>P</b> 	<b>F</b> 
<b>8PCS</b>	<b>8PCS</b>


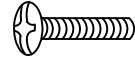
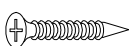


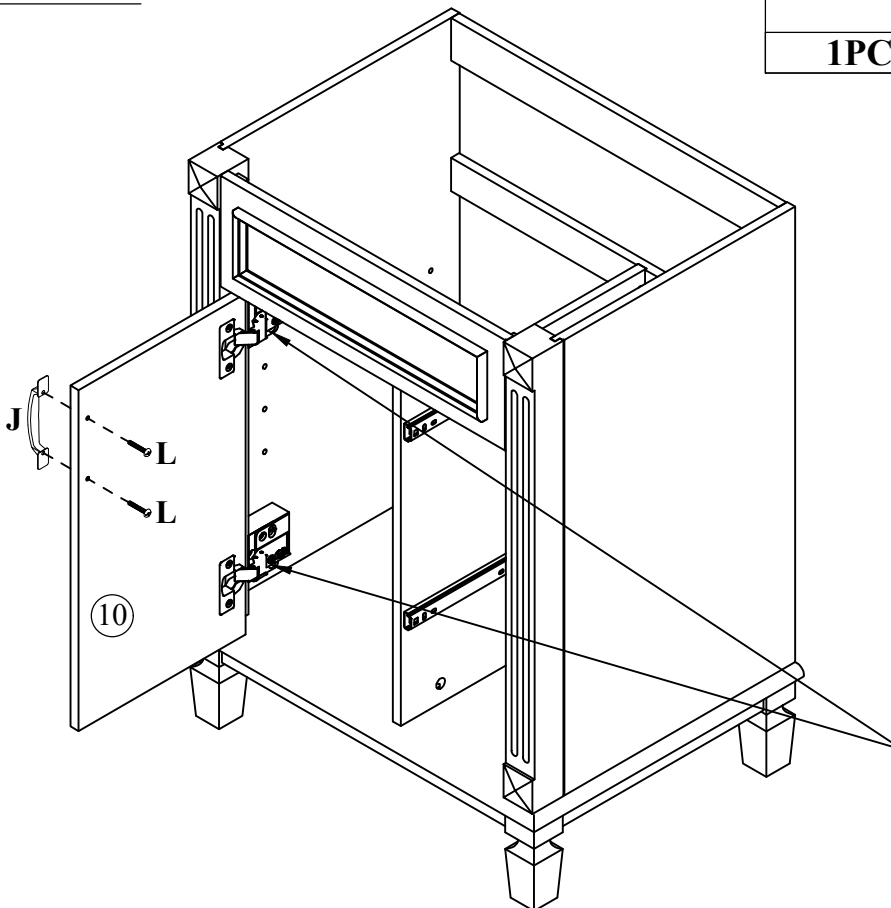
# STEP:10

<b>M</b> 	<b>N</b> 
<b>2PCS</b>	<b>4PCS</b>

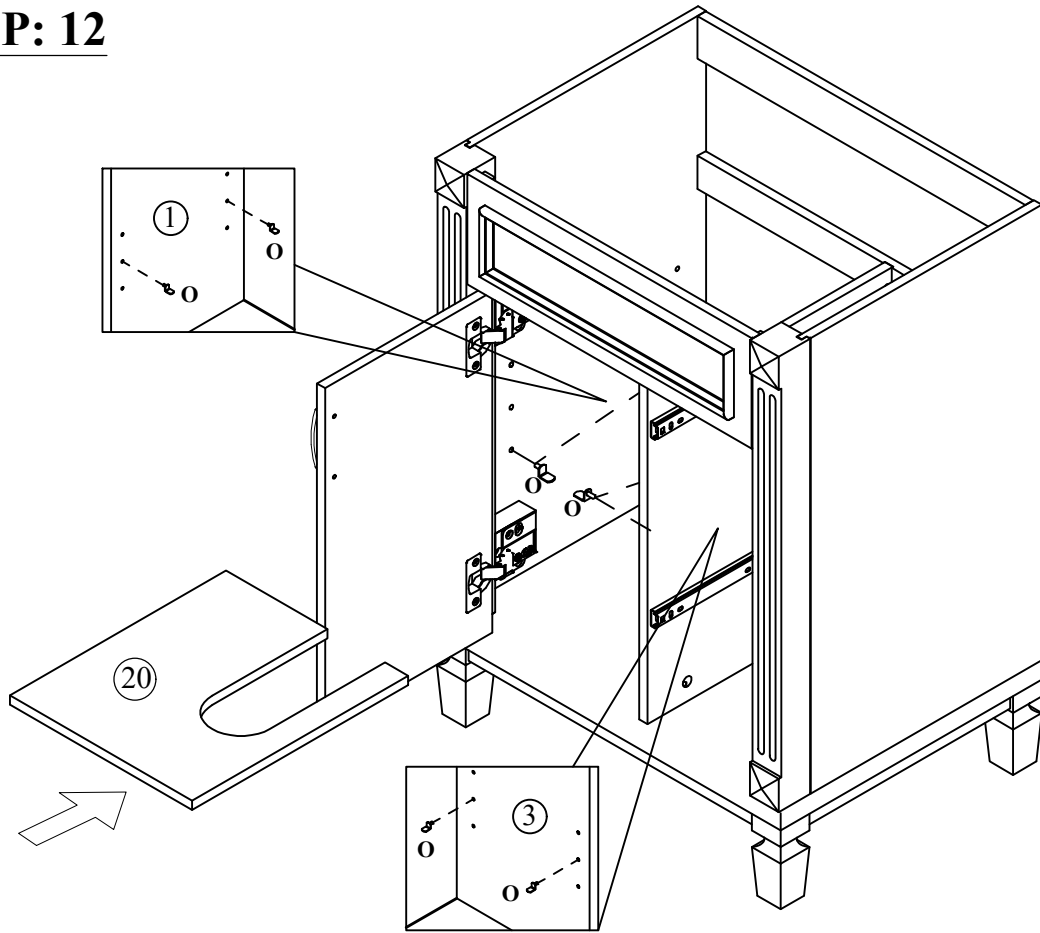


# STEP: 11

<b>J</b> 	<b>L</b> 	<b>N</b> 
<b>1PC</b>	<b>2PCS</b>	<b>8PCS</b>



# STEP: 12

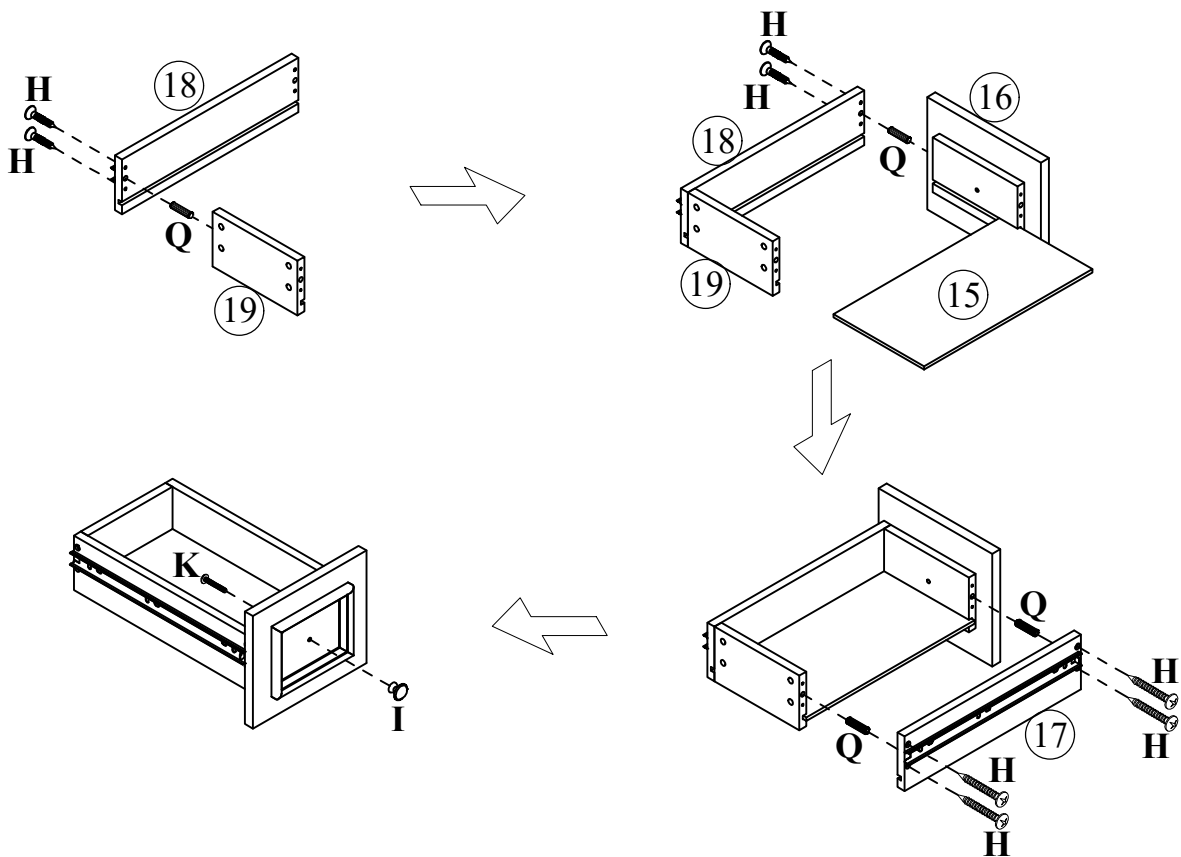


**O**




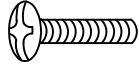
**4PCS**

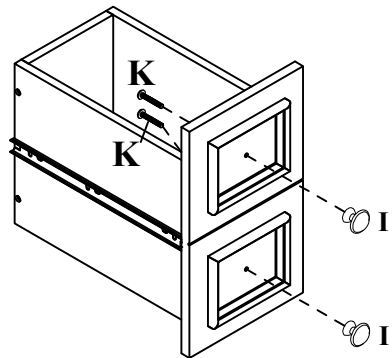
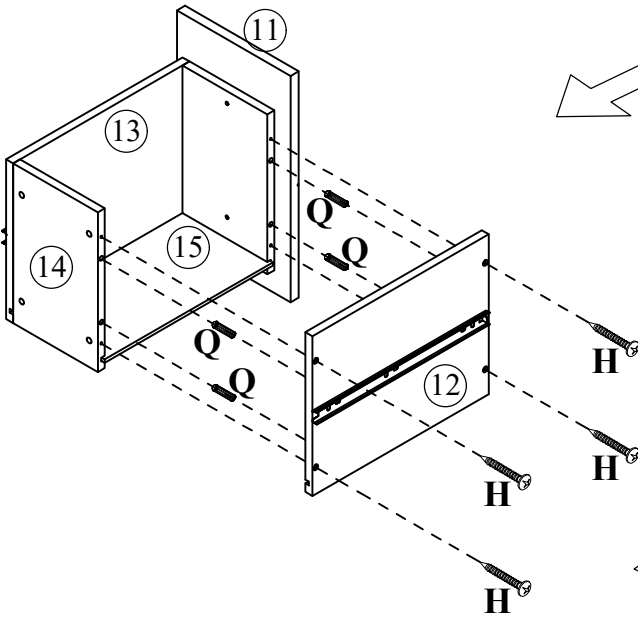
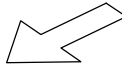
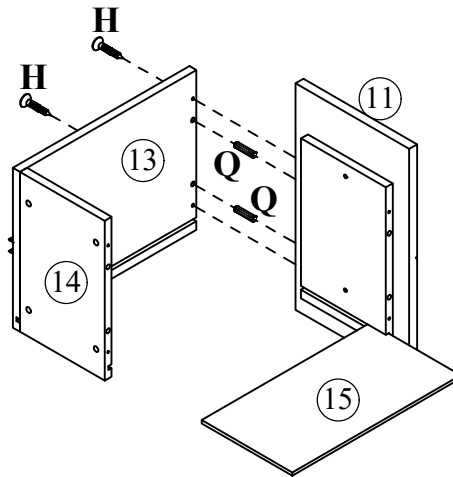
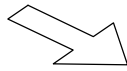
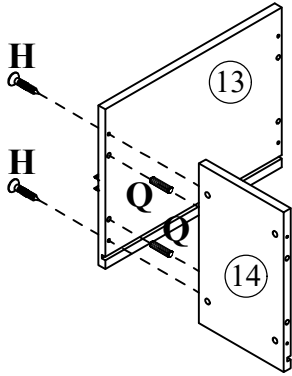
# STEP: 13

H	Q	I	K
<b>8PCS</b>	<b>4PCS</b>	<b>1PC</b>	<b>1PC</b>

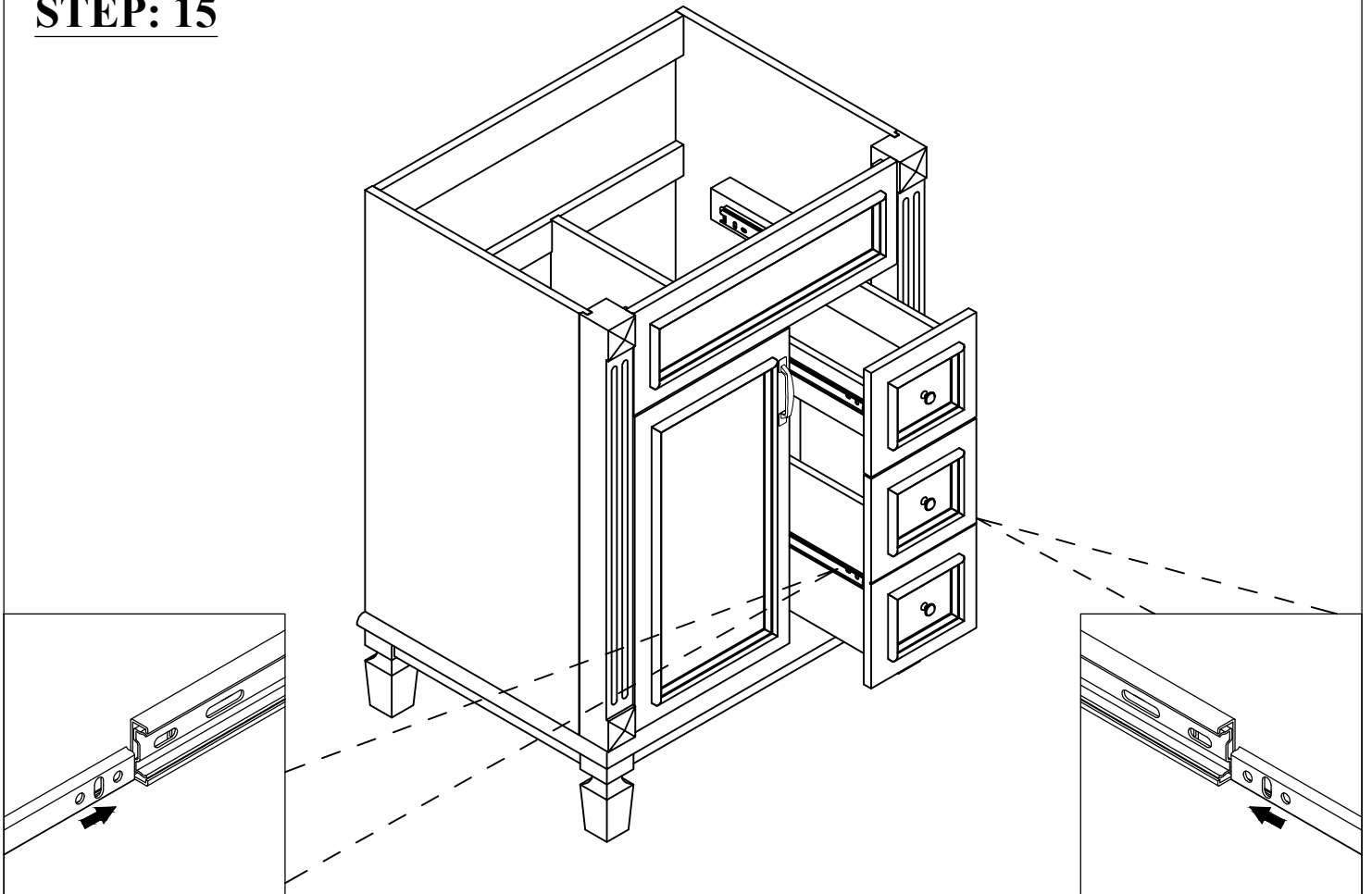


# STEP: 14

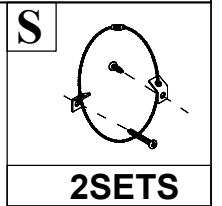
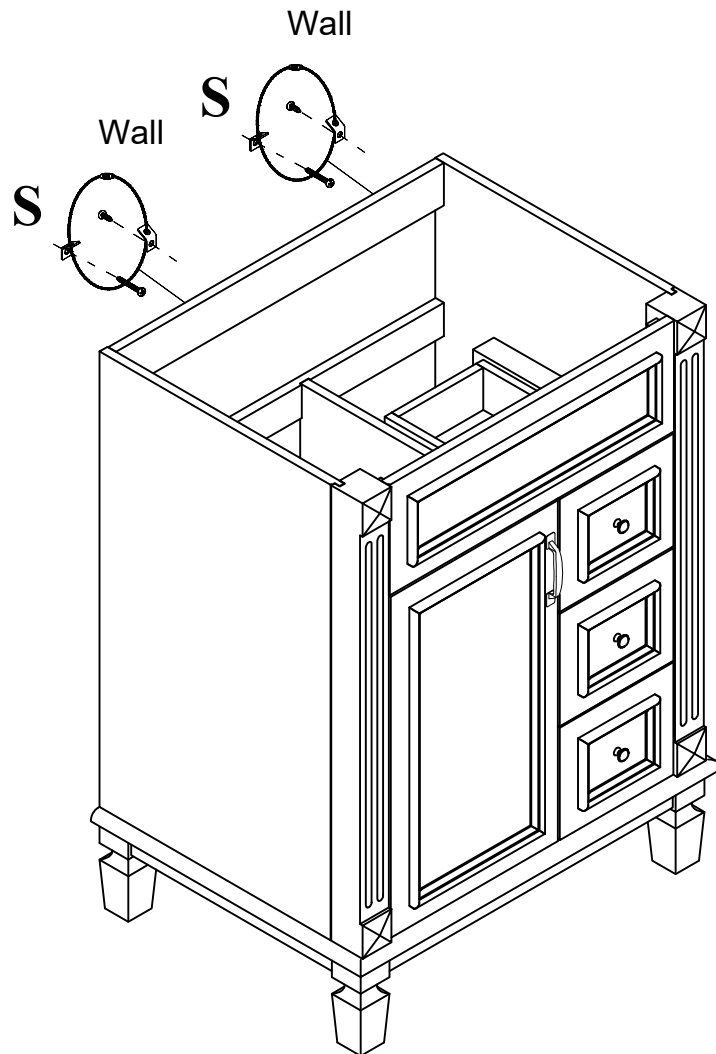
<b>H</b> 	<b>Q</b> 	<b>I</b> 	<b>K</b> 
<b>8PCS</b>	<b>8PCS</b>	<b>2PCS</b>	<b>2PCS</b>



**STEP: 15**



**STEP: 16**



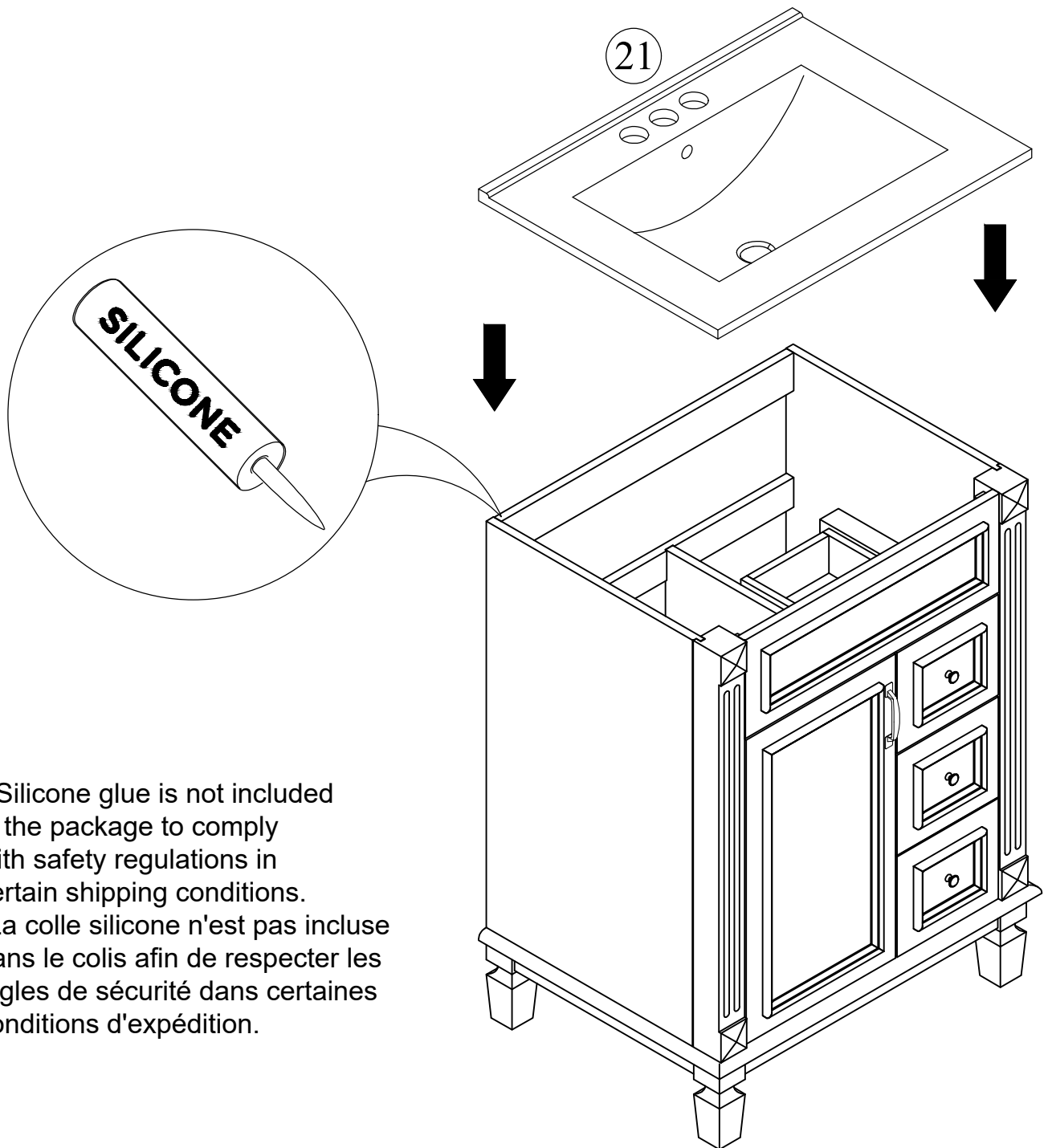
## **STEP: 17**

Install the sink on the cabinet with glue.

Let stand for 24 hours

(Installez l'évier sur le meuble avec de la colle.

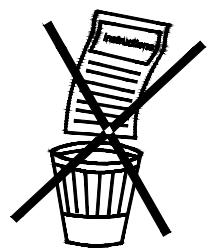
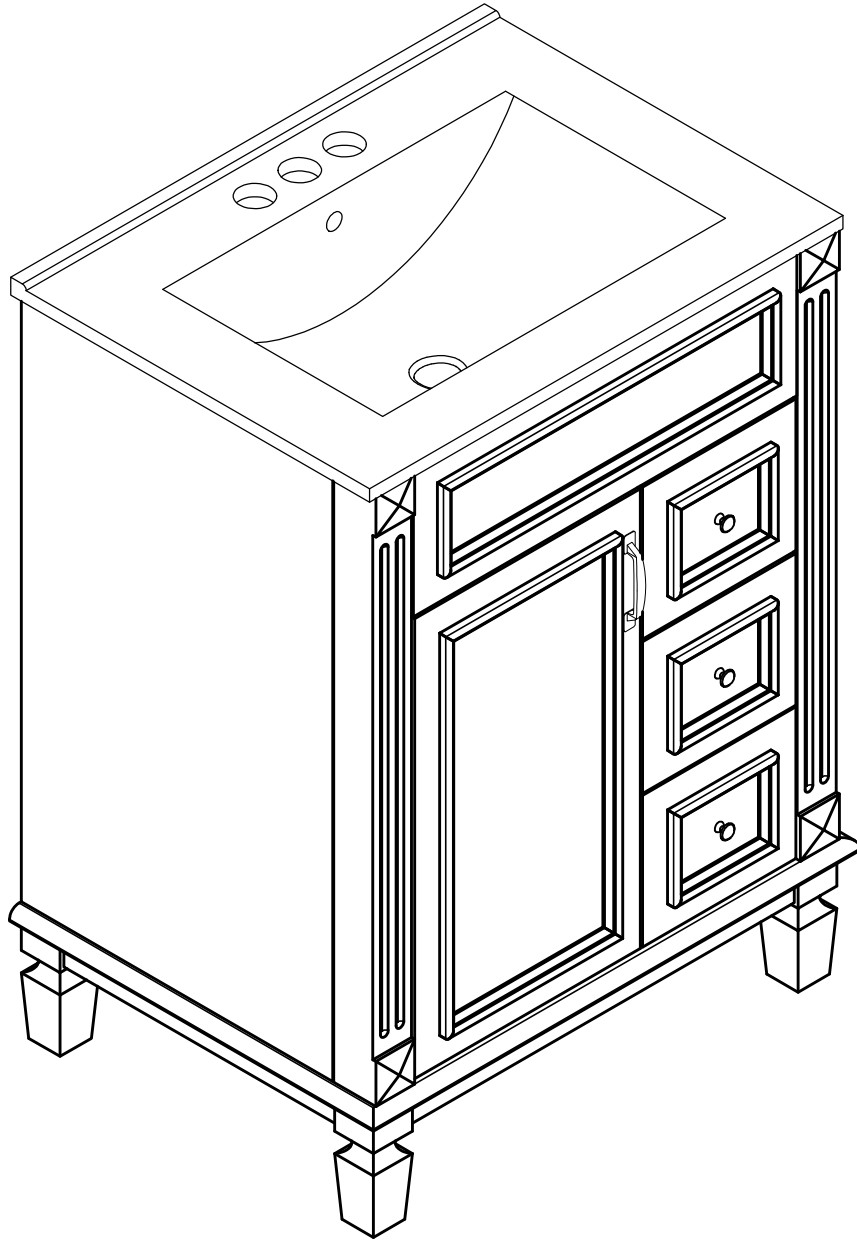
Laissez reposer 24 heures)



\*Silicone glue is not included in the package to comply with safety regulations in certain shipping conditions.

\*La colle silicone n'est pas incluse dans le colis afin de respecter les règles de sécurité dans certaines conditions d'expédition.

**STEP: 18**

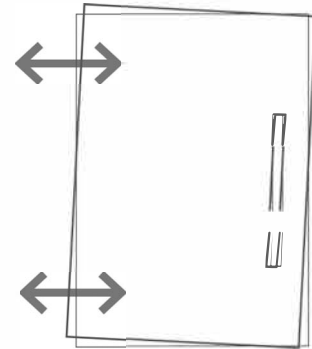


# HINGE ADJUSTMENTS



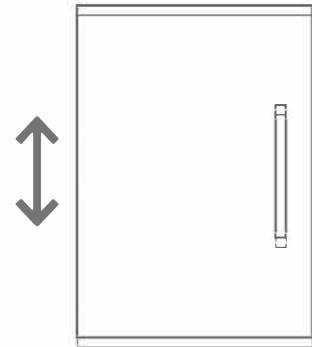
## 1 Sideways / Tilt adjustment

Turn the screw  
**clockwise** to move the door further away from  
the side of the cabinet  
**anticlockwise** to move the door closer to the  
side of the cabinet



## 2 4 Height adjustment

While supporting the weight of the door, turn the  
screws  
**clockwise** to move the door up  
**anticlockwise** to move the door down



## 3 Forward and back adjustment

If the gap between the back of the door and the  
cabinet is too small, and the door may not close  
fully. Turn the screw  
**clockwise** to decrease the gap between the  
door and the cabinet  
**anticlockwise** to increase the gap between the  
door and the cabinet

