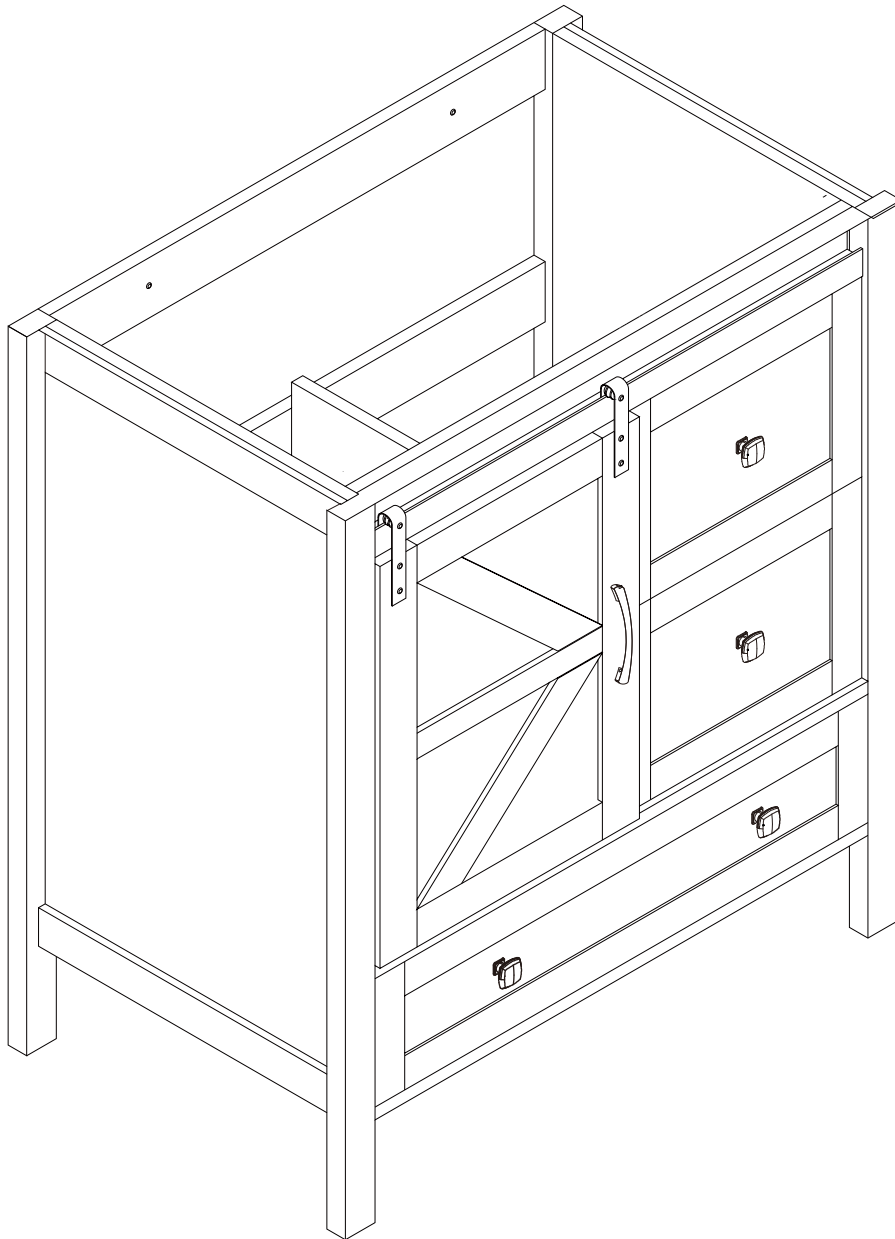


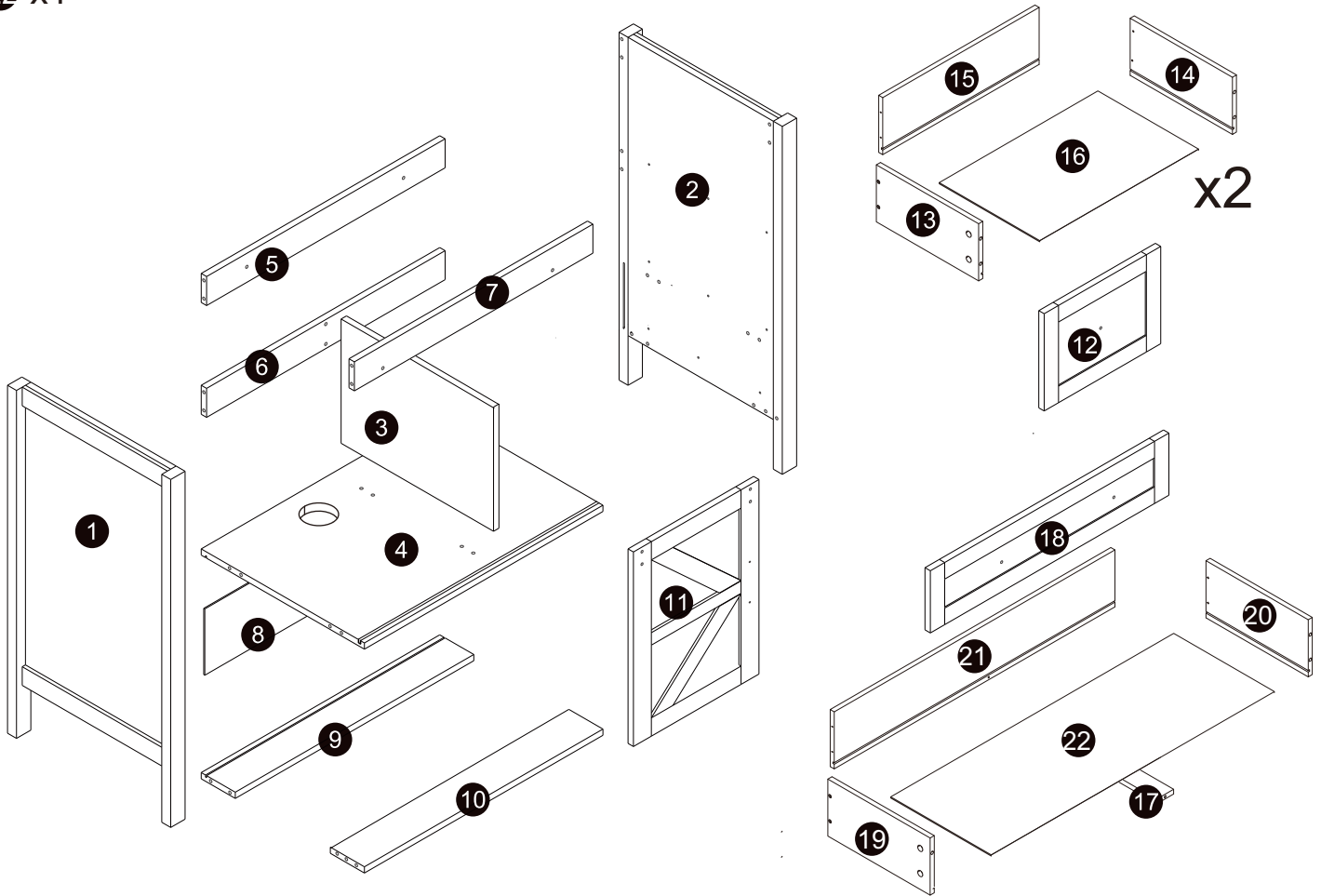
Assembly Instructions

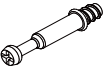

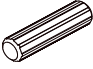
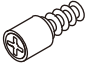








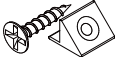
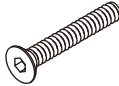

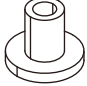

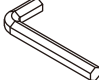


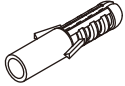

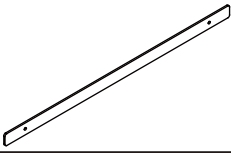


If there is any problem with the item, please call us for more service instead of returning the item directly.

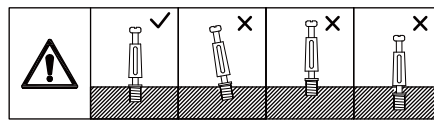
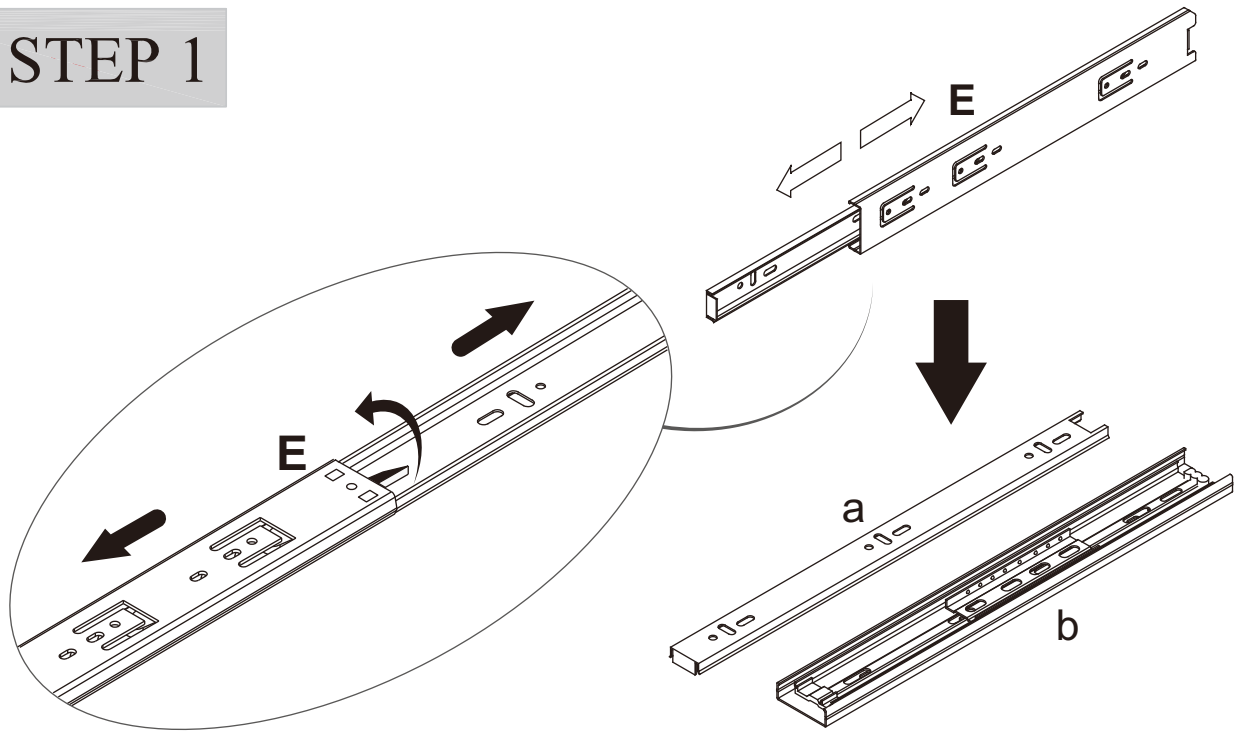
HARDWARE LIST

- ① x1 ② x1 ③ x1 ④ x1 ⑤ x1 ⑥ x1 ⑦ x1
- ⑧ x1 ⑨ x1 ⑩ x1 ⑪ x1 ⑫ x2 ⑬ x2 ⑭ x2
- ⑮ x2 ⑯ x2 ⑰ x1 ⑱ x1 ⑲ x1 ⑳ x1 ㉑ x1
- ㉒ x1



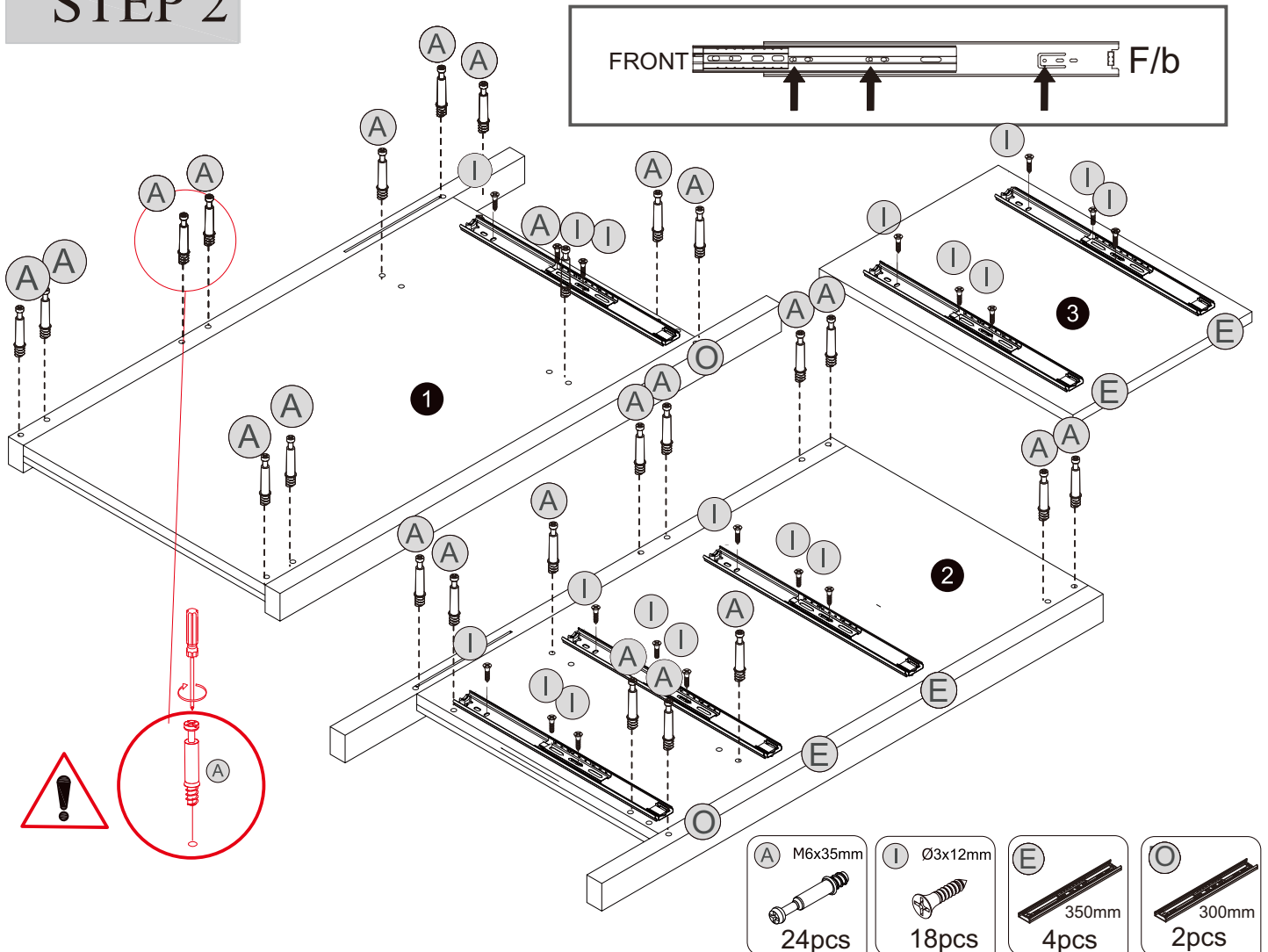
							
A = 37	B = 37	C = 8	D = 2	E = 4	F = 4	G = 6	H = 13
							
I = 36	J = 4	K = 1	L = 4	M = 4	N = 2	O = 2	P = 2
							
Q = 1	R = 1	S = 2	T = 1	U = 2	V = 2	W = 1	

STEP 1

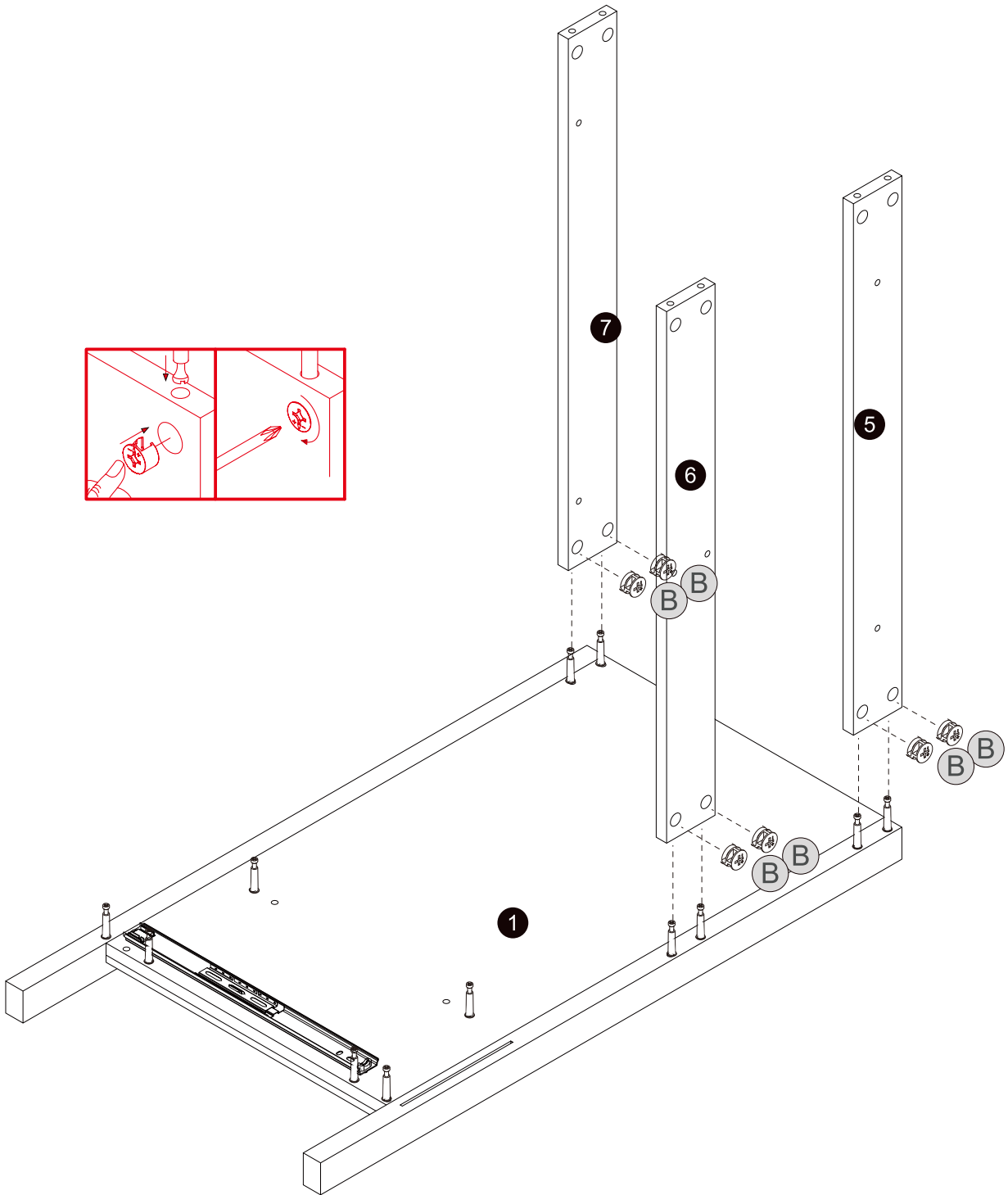


Note: Please make sure the screws are not too loose or too tight, or skewed.

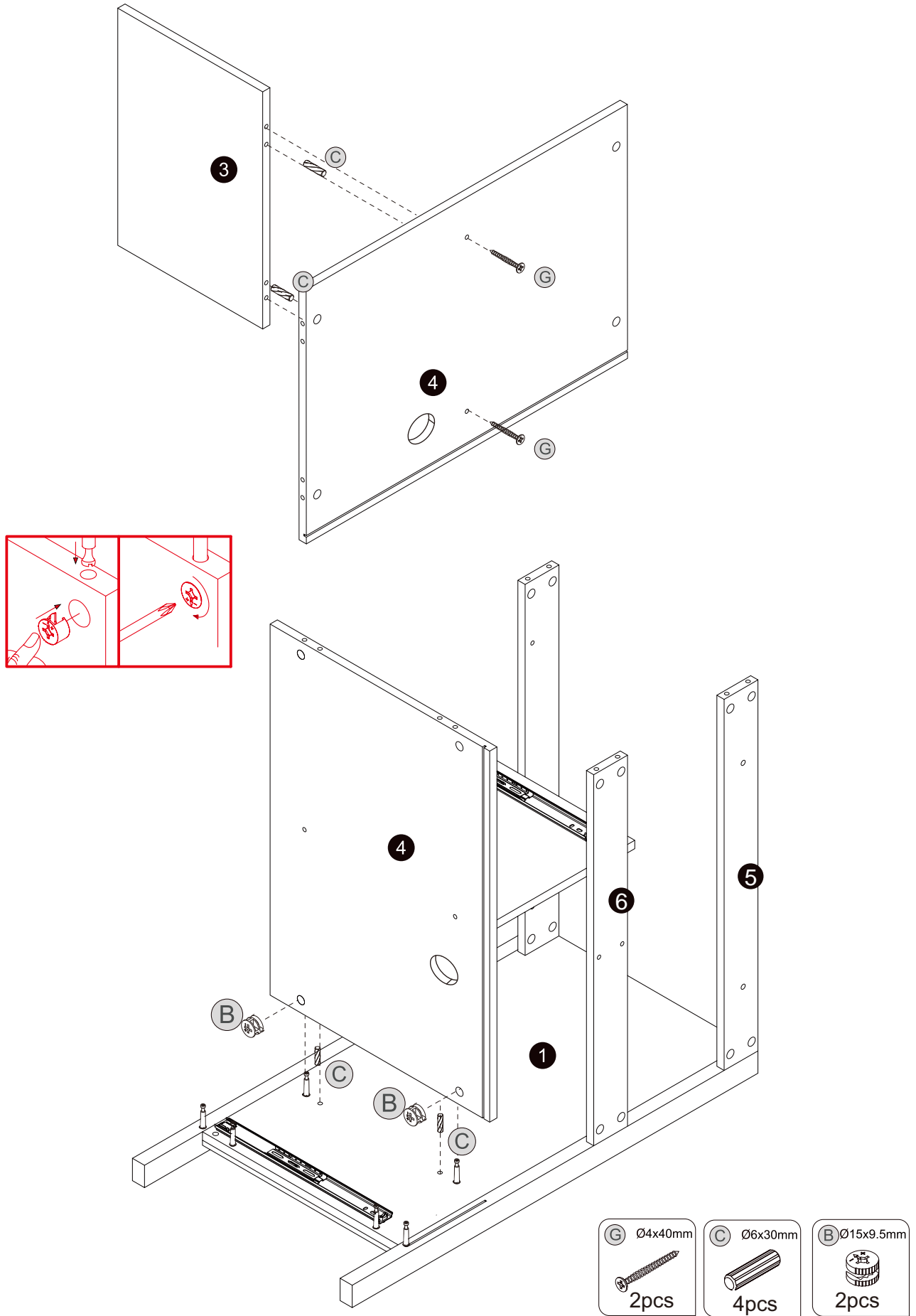
STEP 2



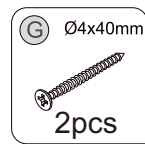
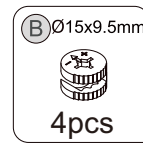
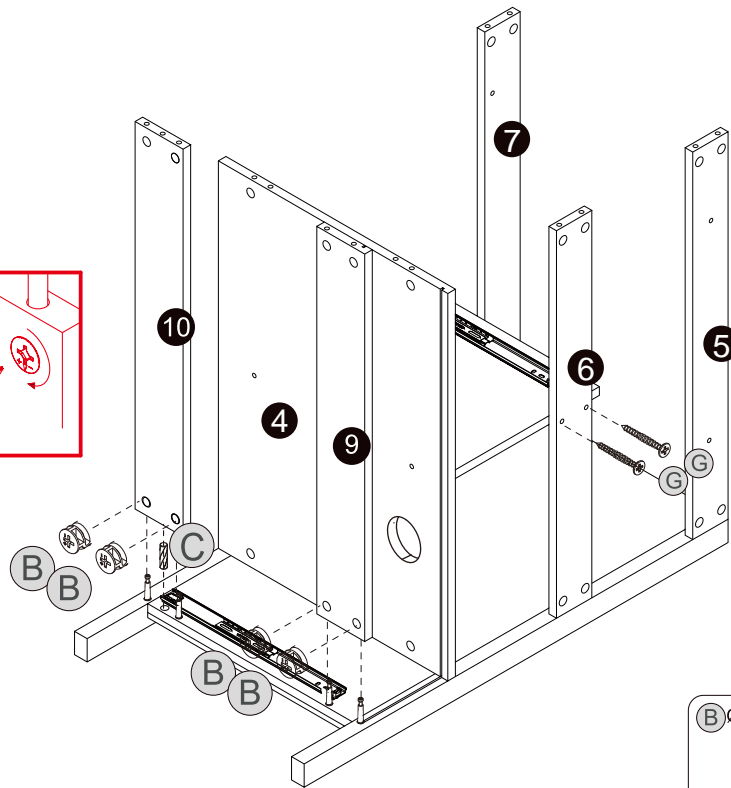
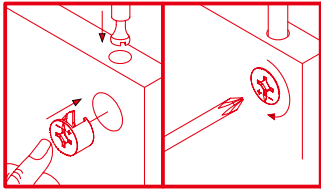
STEP 3



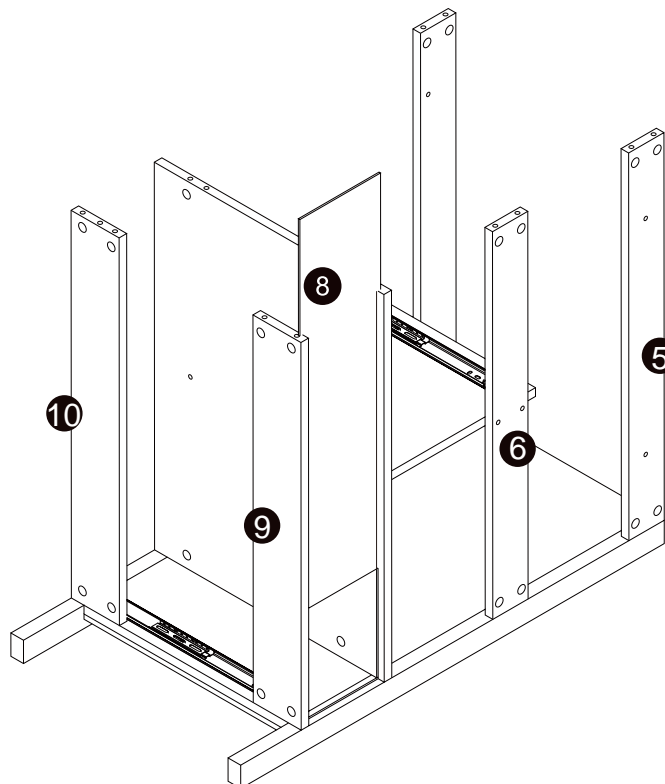
STEP 4



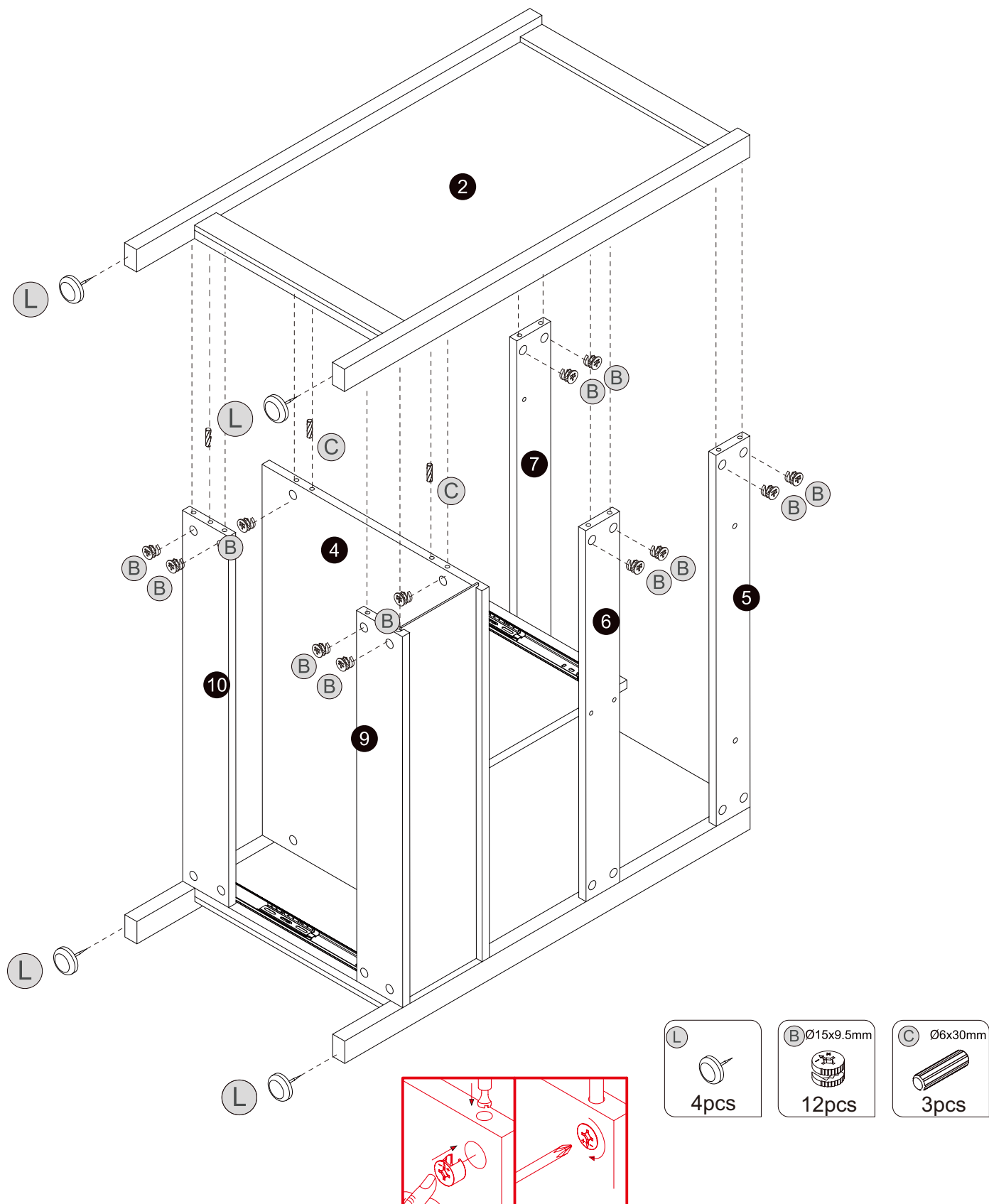
STEP 5



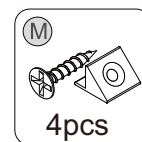
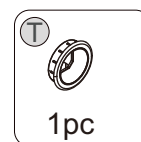
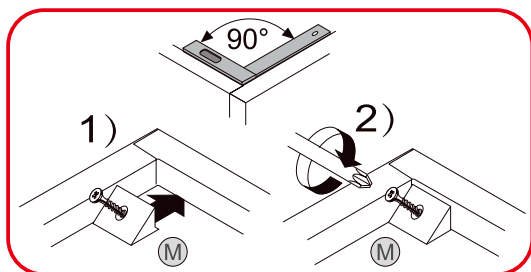
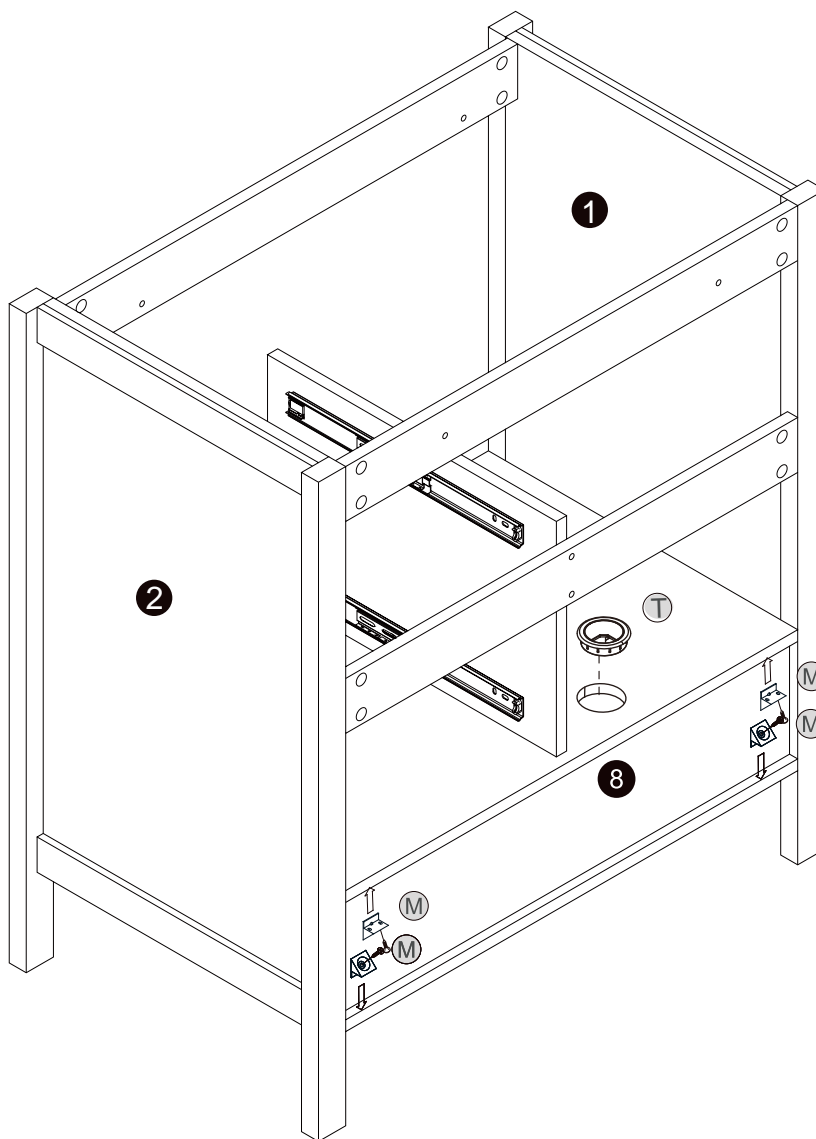
STEP 6



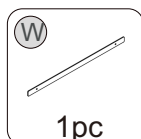
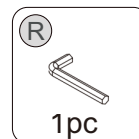
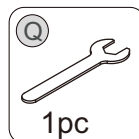
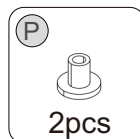
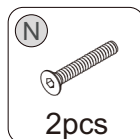
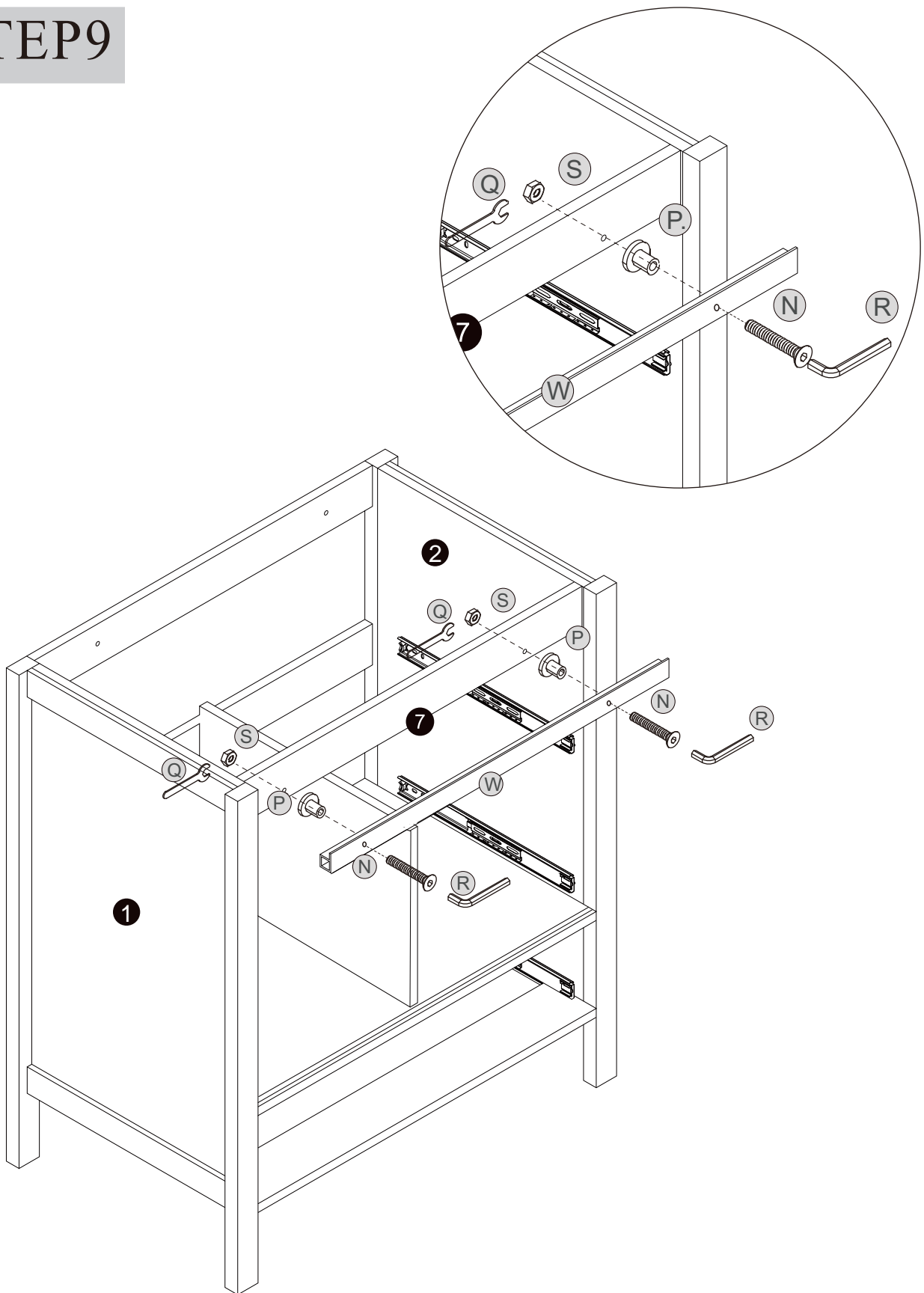
STEP 7



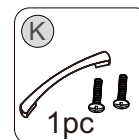
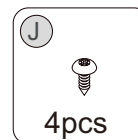
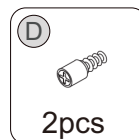
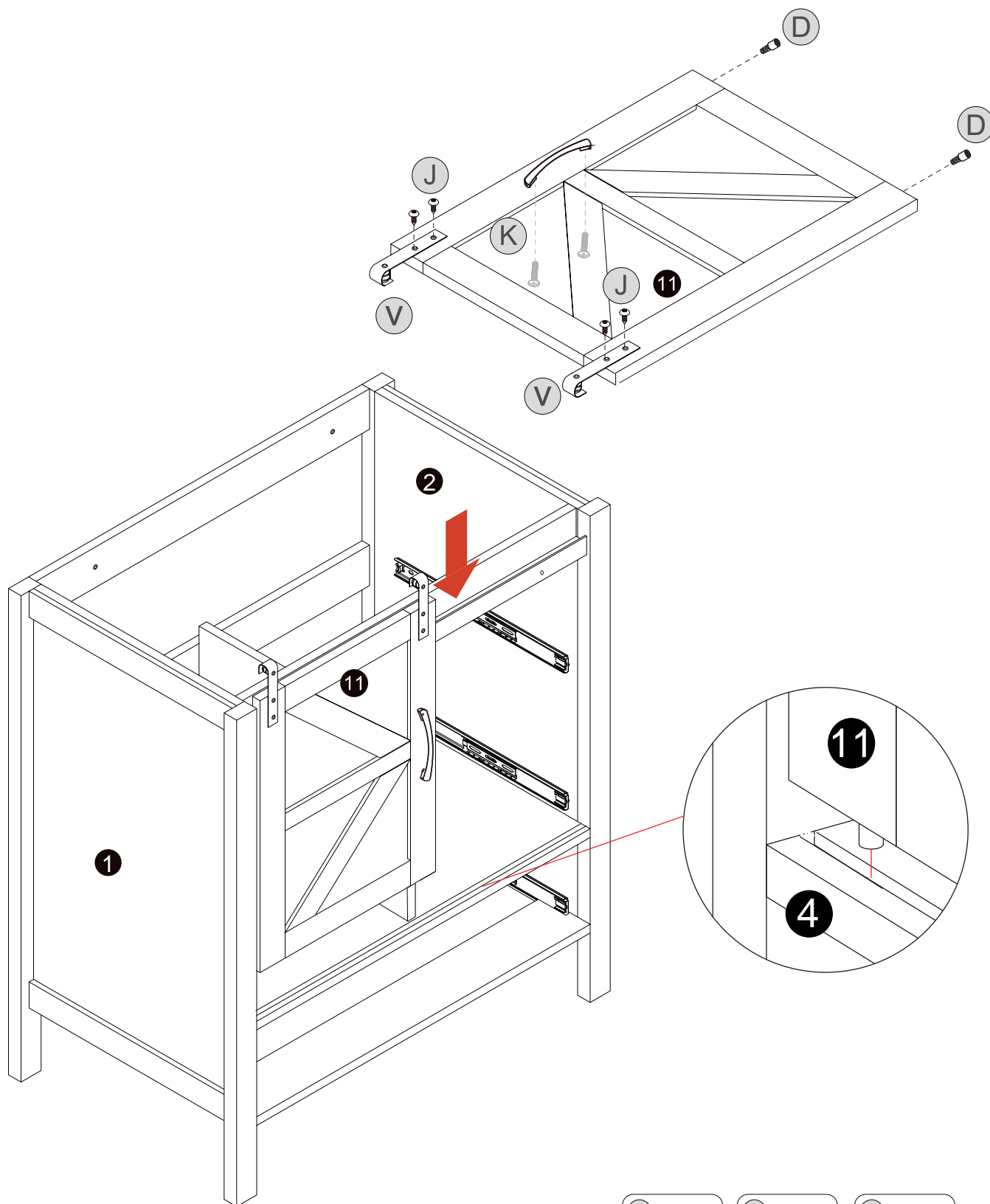
STEP 8



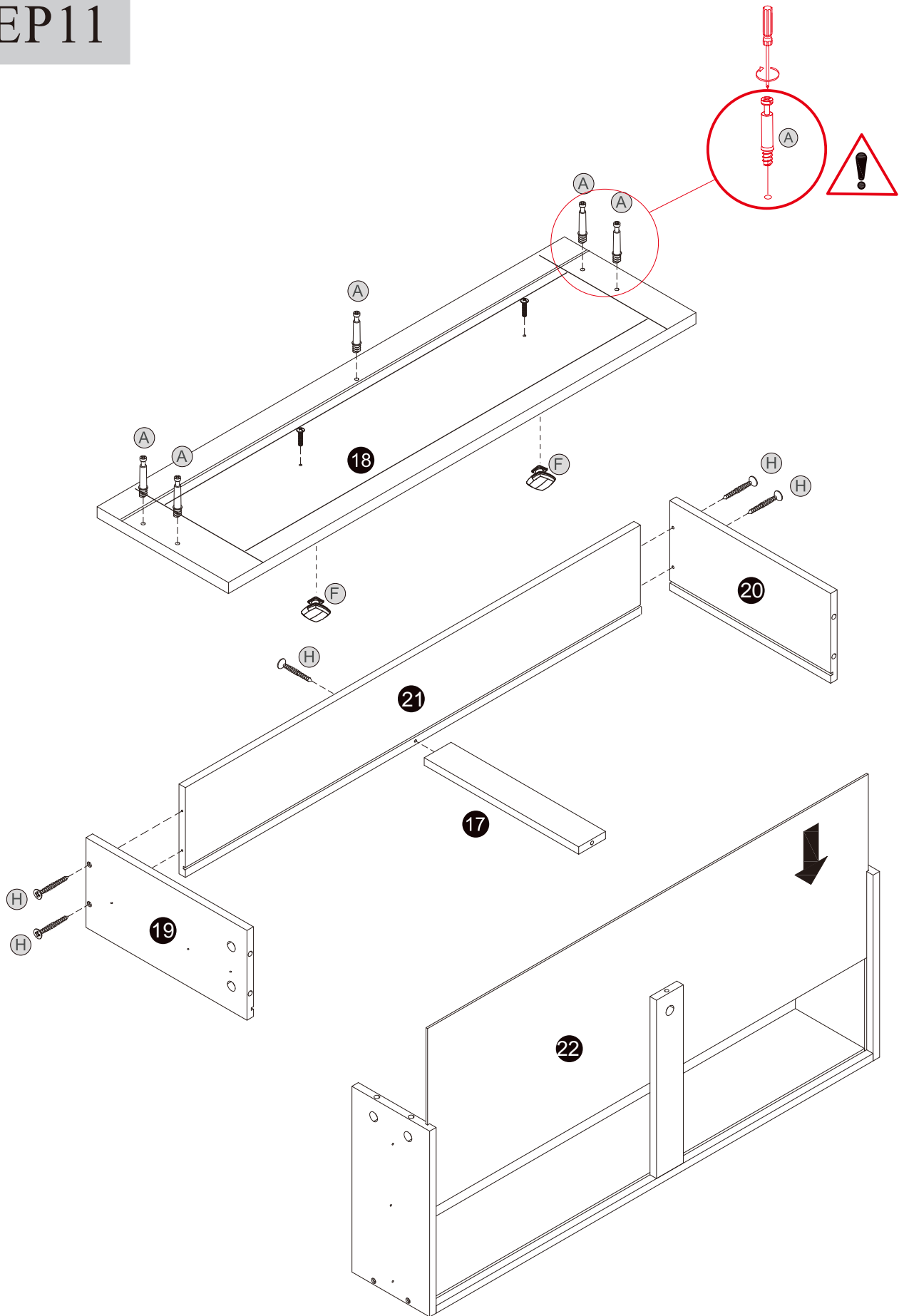
STEP 9



STEP 10



STEP 11



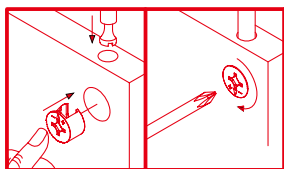
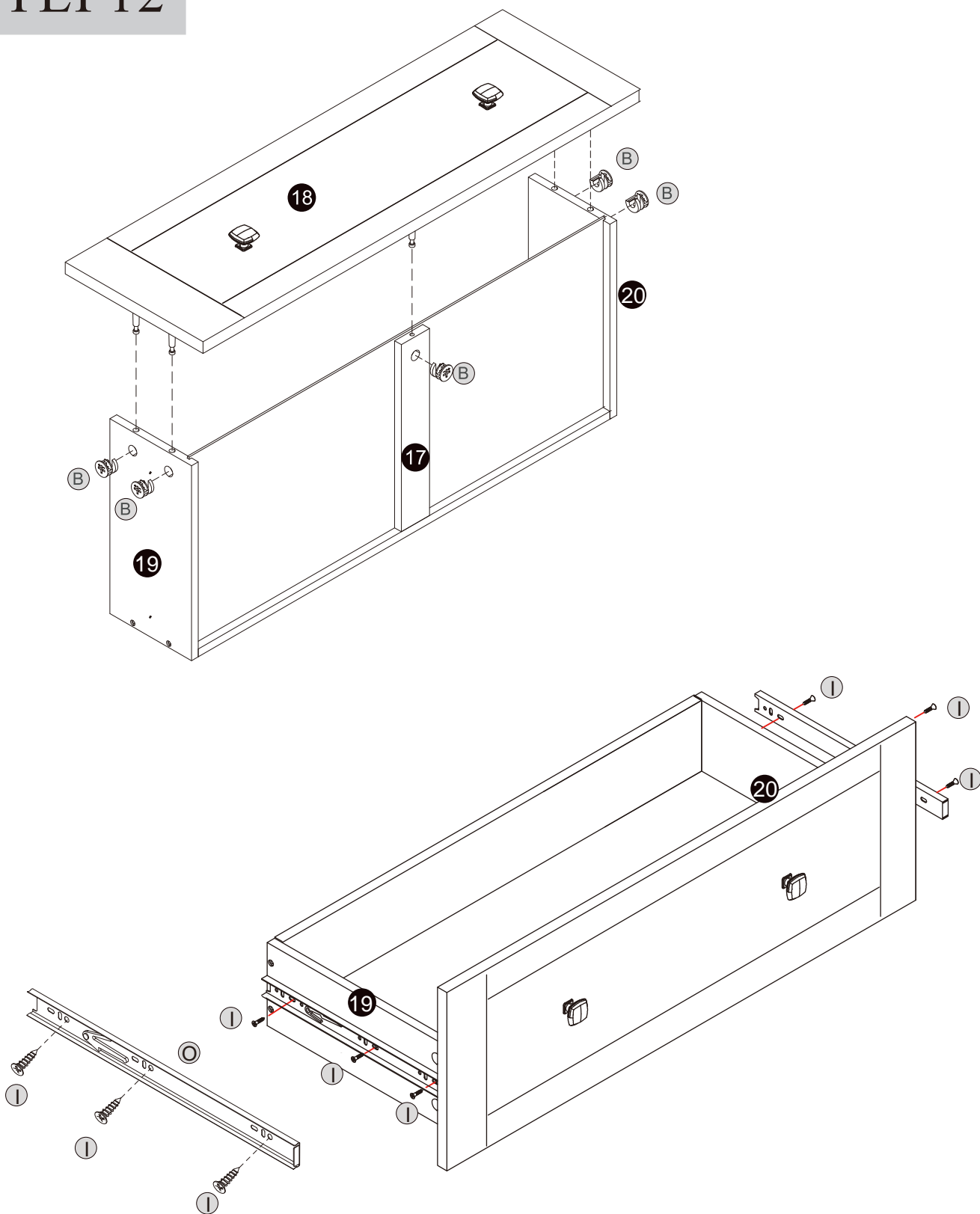
- | | | |
|---|---|---|
| A M6x35mm

5pcs | F Ø4x18mm

2pcs | H Ø4x30mm

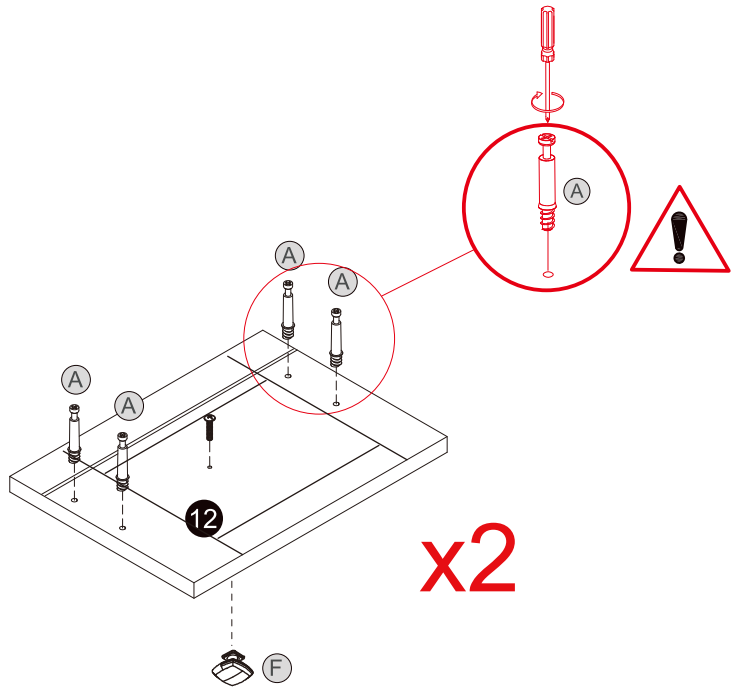
5pcs |
|---|---|---|

STEP 12

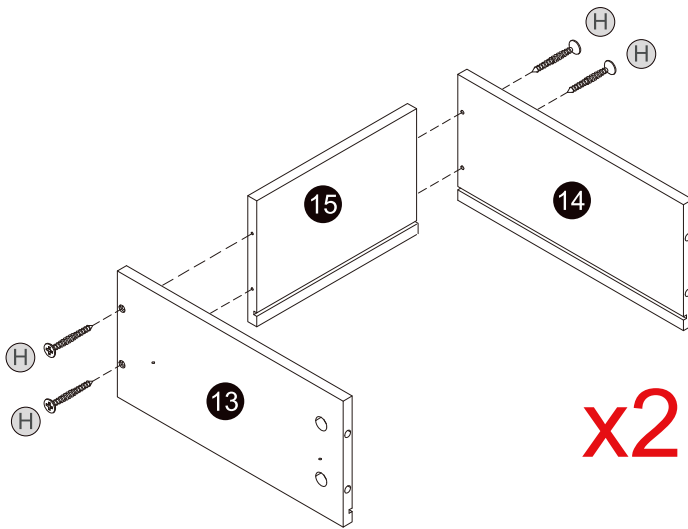


- (B)** Ø15x9.5mm
5pcs
- (I)** Ø3x12mm
6pcs
- (O)**
2pcs

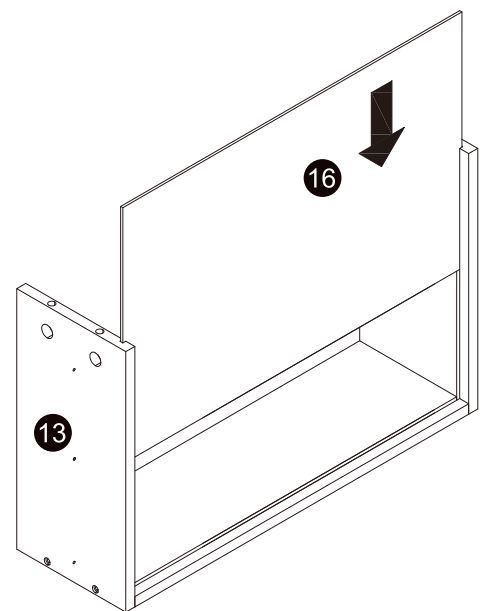
STEP 13



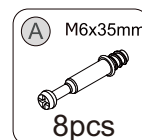
x2



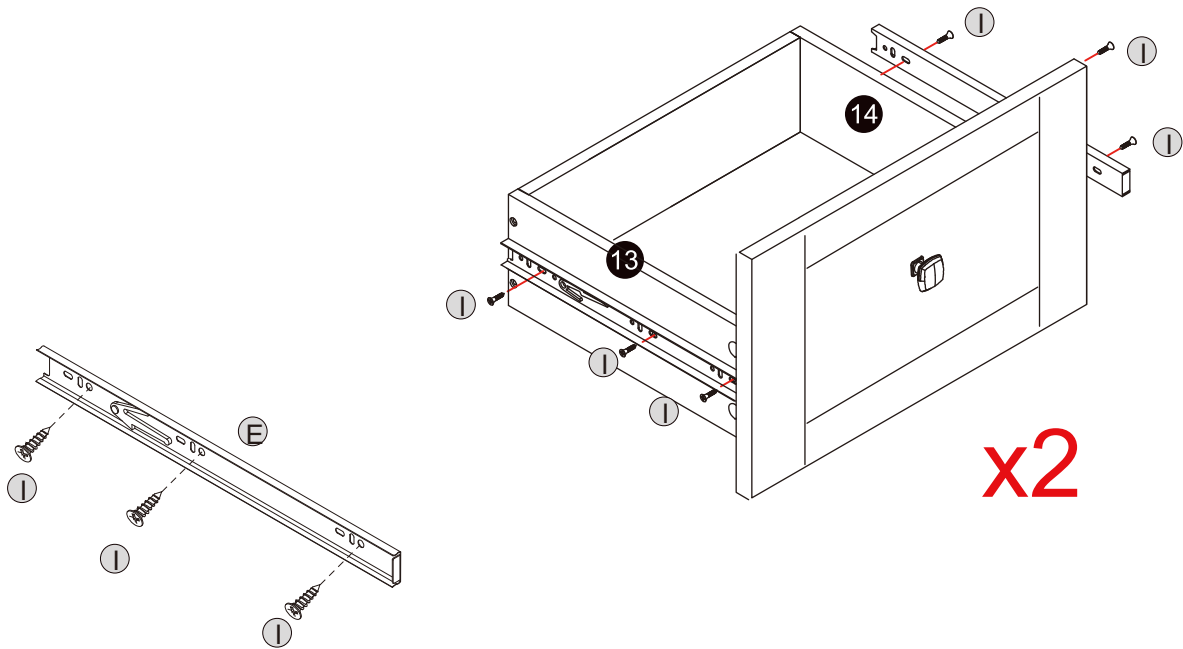
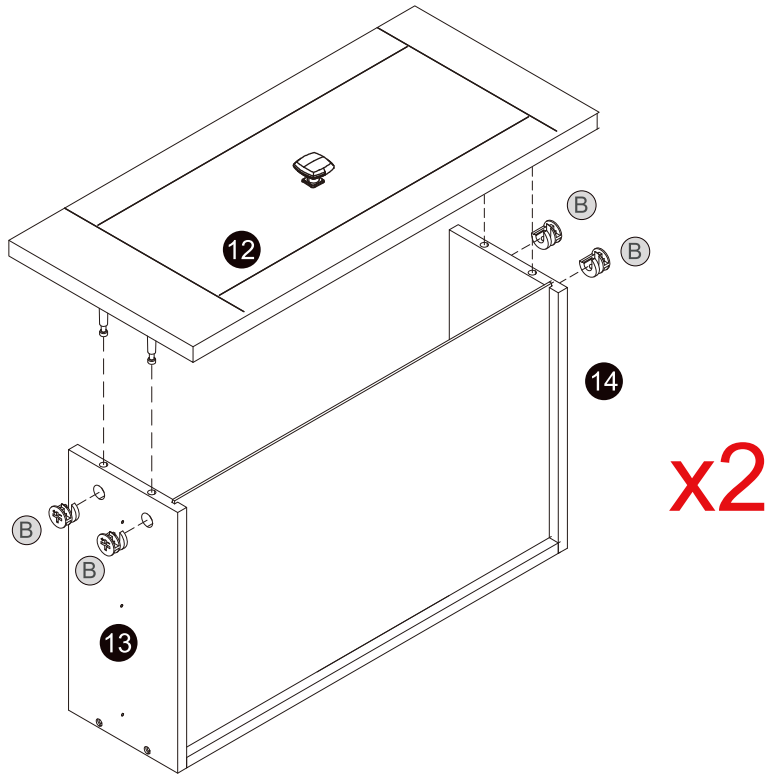
x2



x2

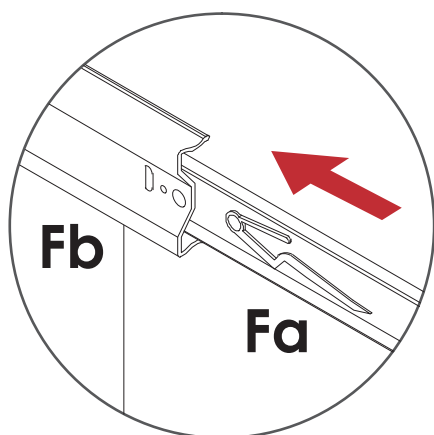
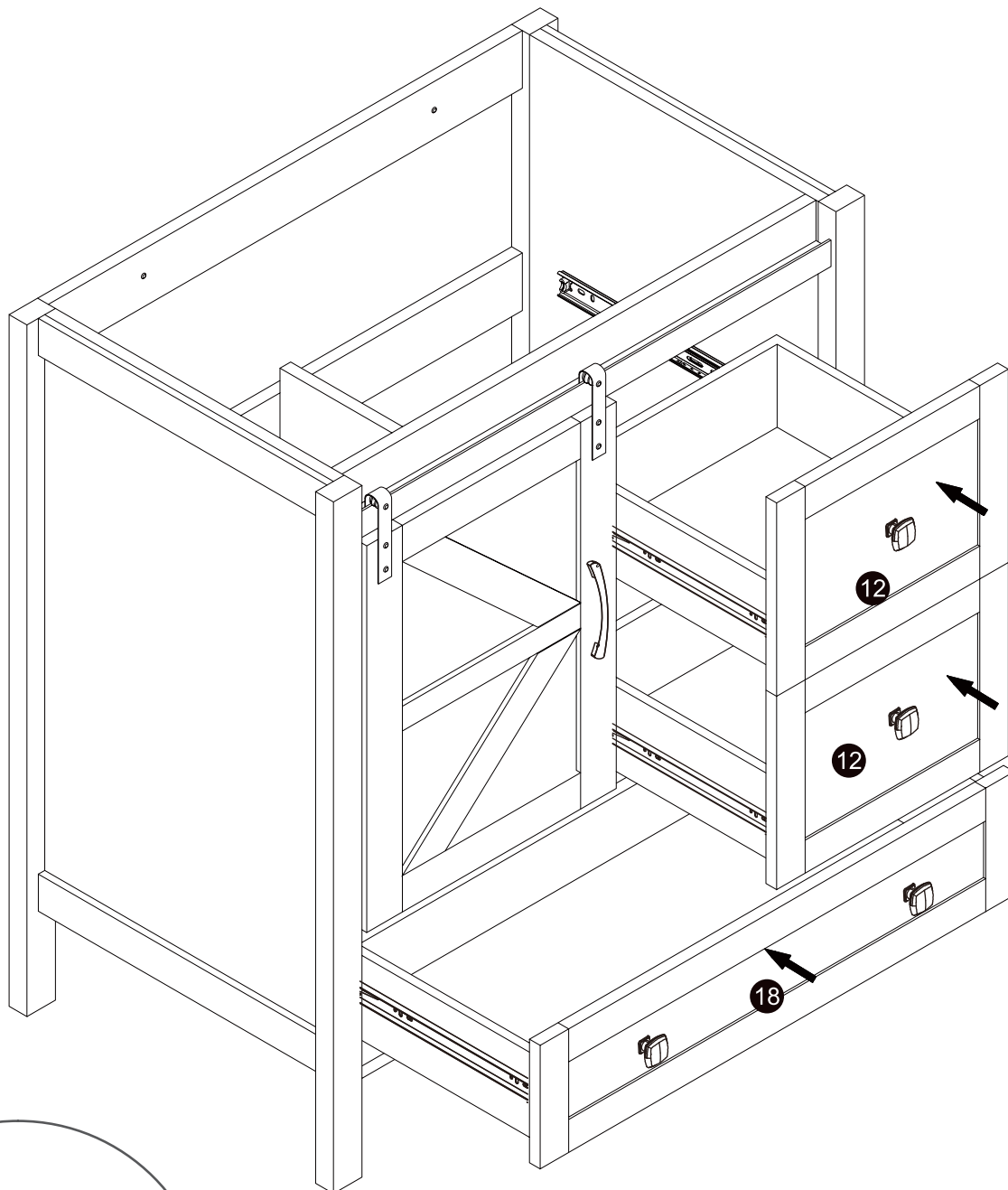


STEP 14



 B Ø15x9.5mm 8pcs	 I Ø3x12mm 12pcs	 E 4pcs
--	---	--

STEP 15



STEP 16

