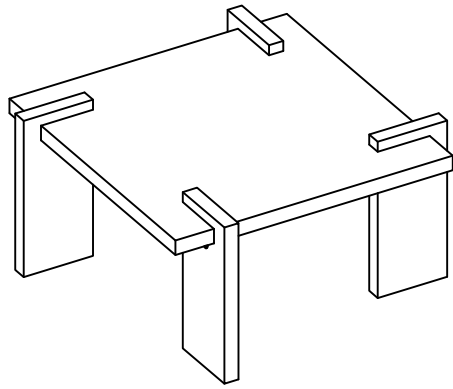




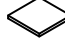
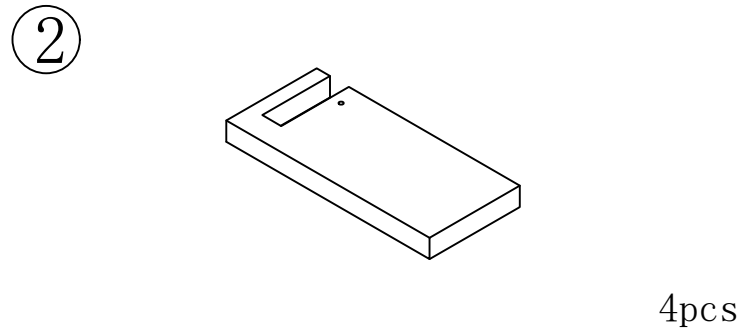
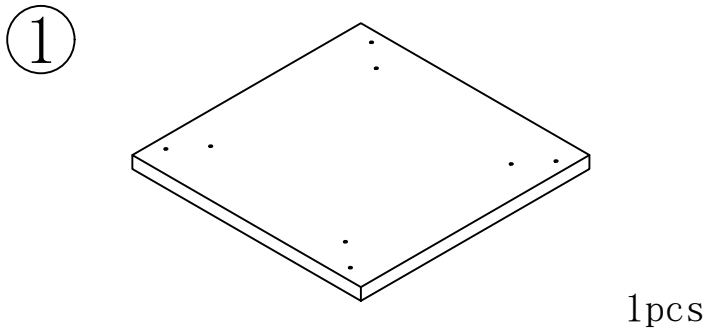


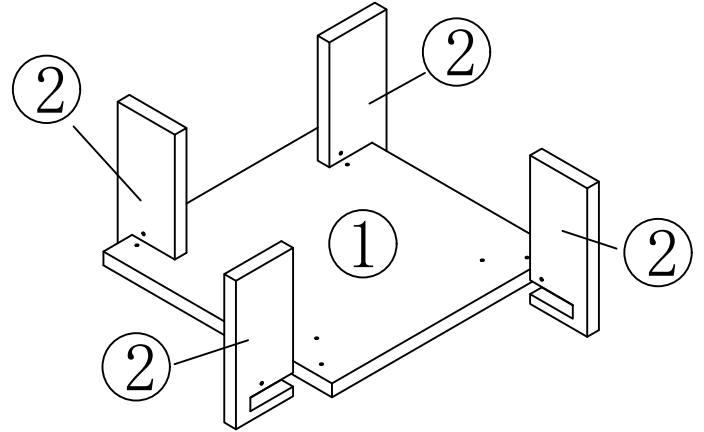
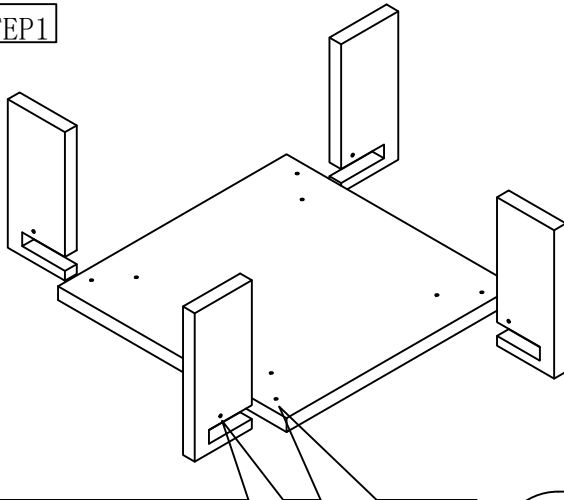
ASSEMBLY INSTRUCTION



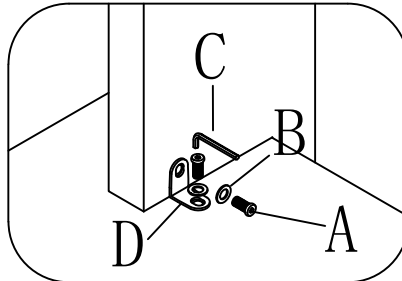
| | | | |
|---|---|---|---|
| A |  6*16 16pcs | B |  8*18 16pcs |
| C |  1pcs | D |  8pcs |
| E |  8pcs | | |



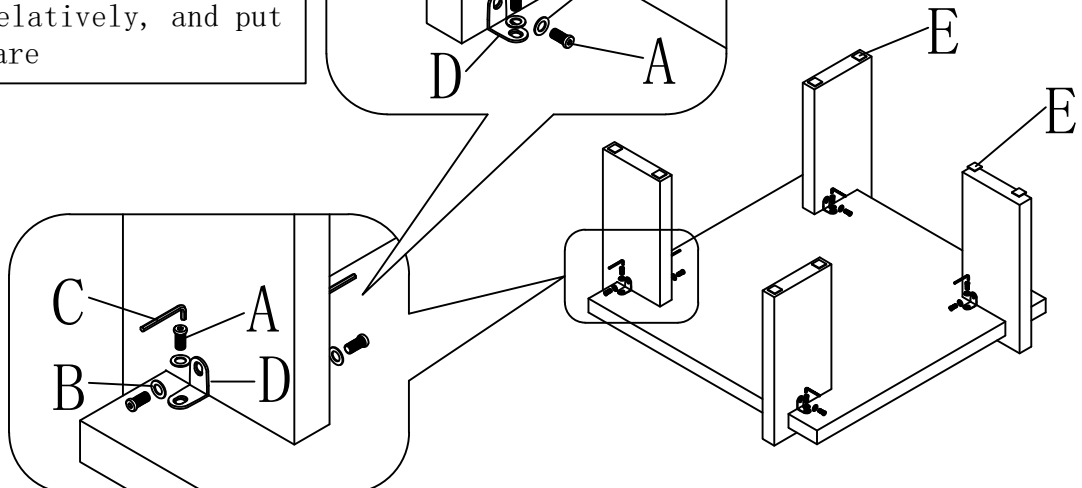
STEP1



Pay attention to the direction of the table leg and the panel, the table leg hole position and the panel hole position should be aligned relatively, and put in the hardware



STEP2



【Kindly Remember】

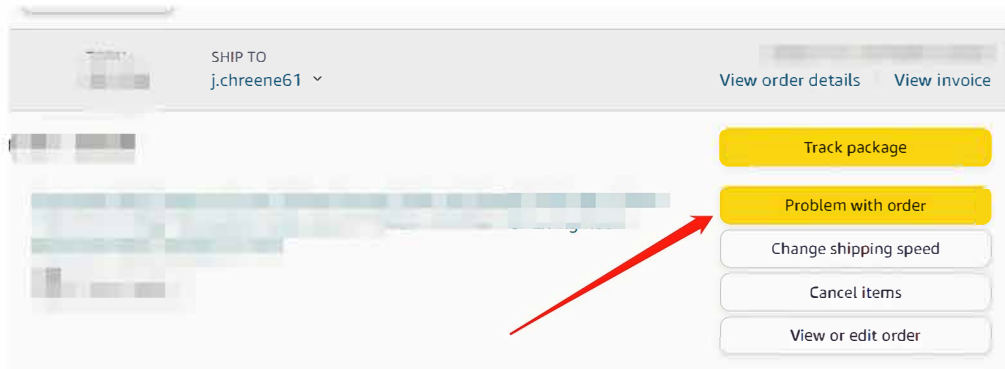
If the products you receive in this package are not all of the items you purchased, please be patient. The rest of the products will be delivered by other packages.

If you would like to know where the rest of the package has arrived, please contact us. We will get back to you within 12 hours.

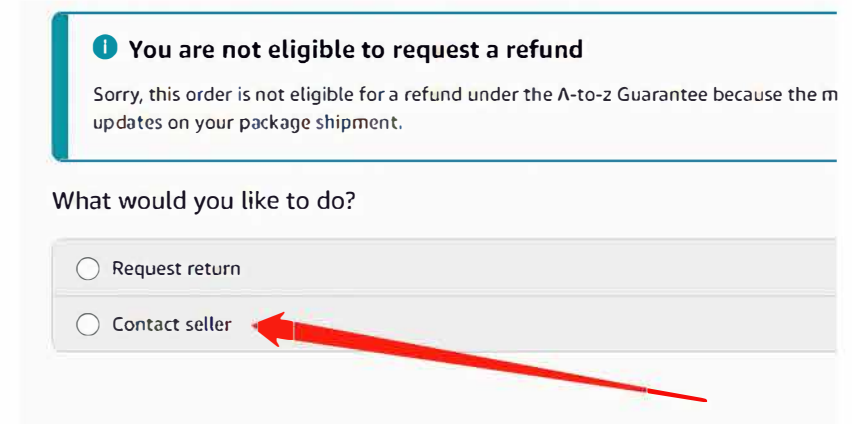


You can contact us in the following ways:

1. Find your order in the list and Select **【Problem with order】**.



2. Choose your topic from list displayed and Select **【Contact seller】**.



3. We will get back to you immediately as soon as we receive your message.



Location of hardware package



14