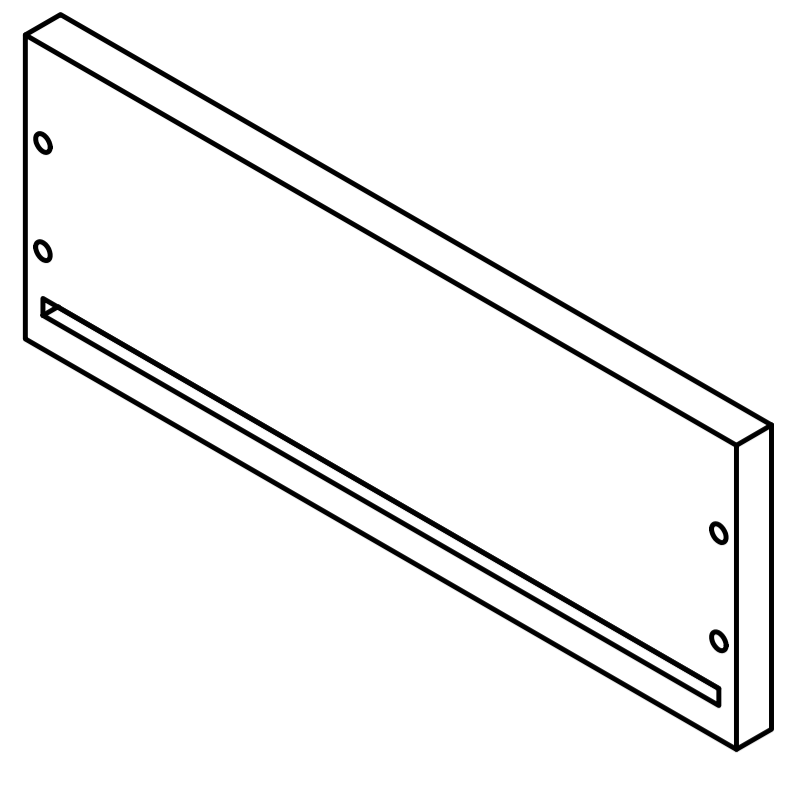
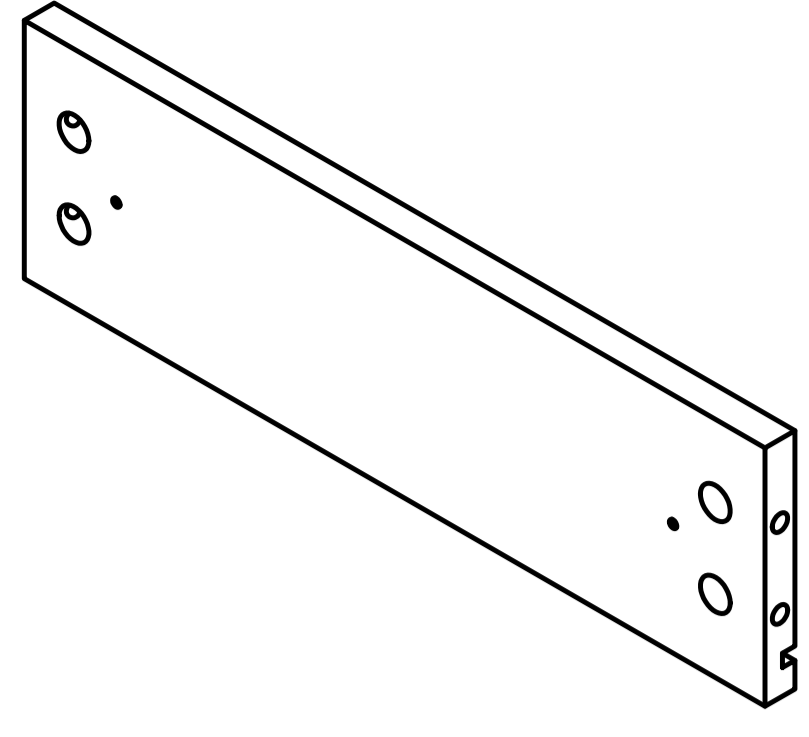


Product Installation Instructions

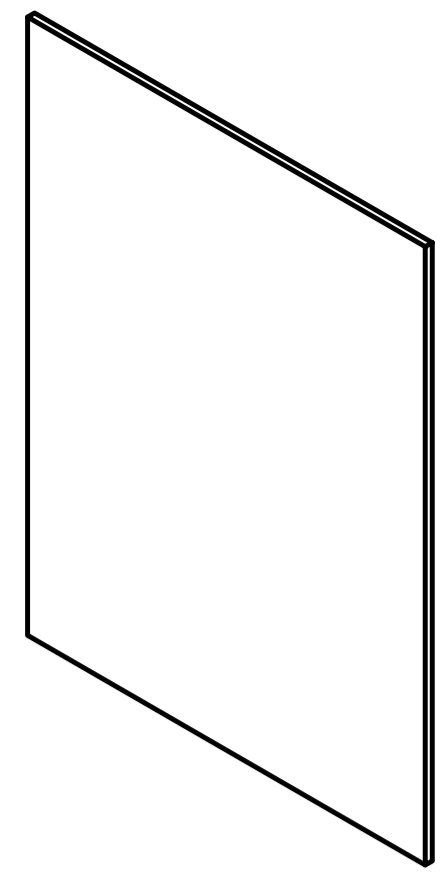




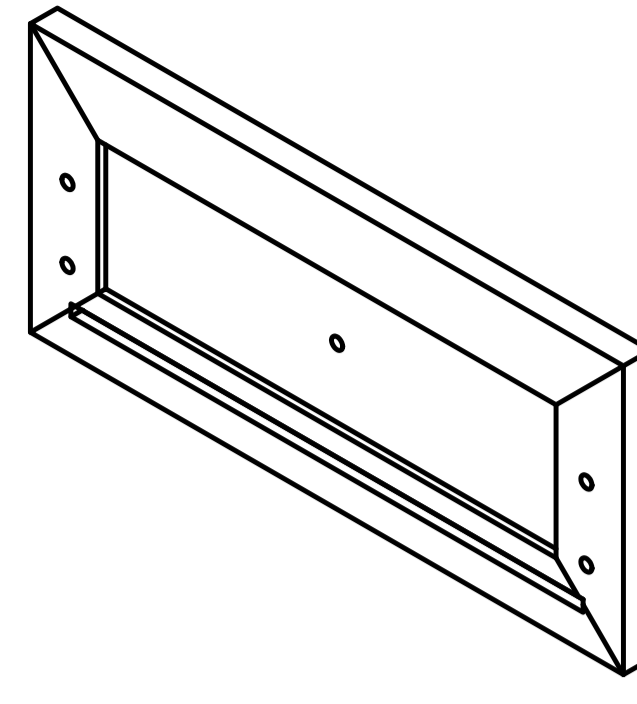
Ax2



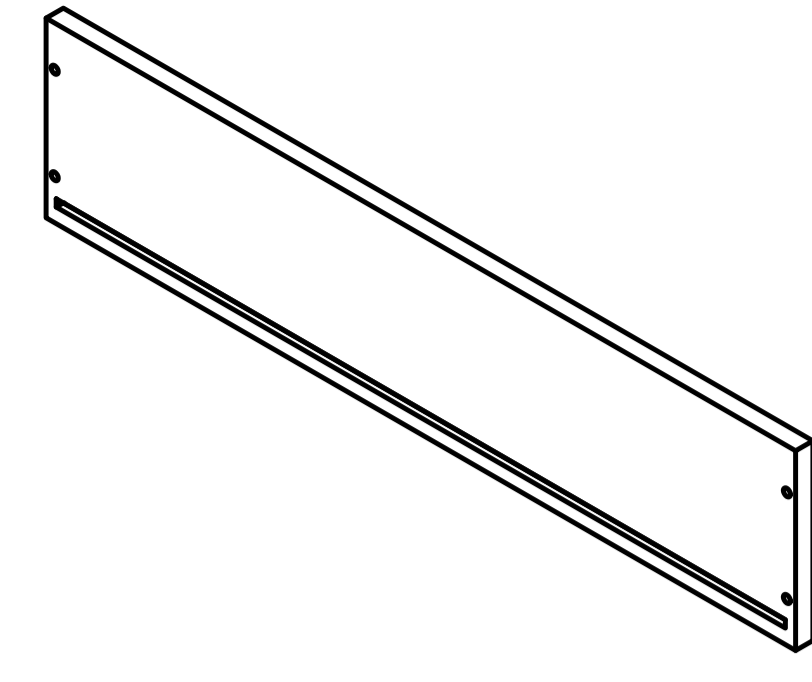
Bx4



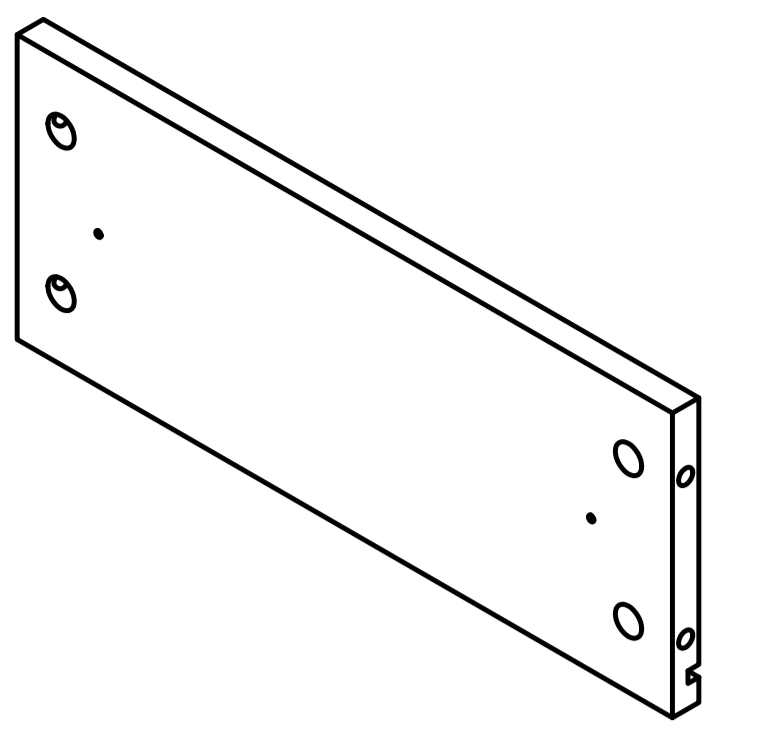
Cx2



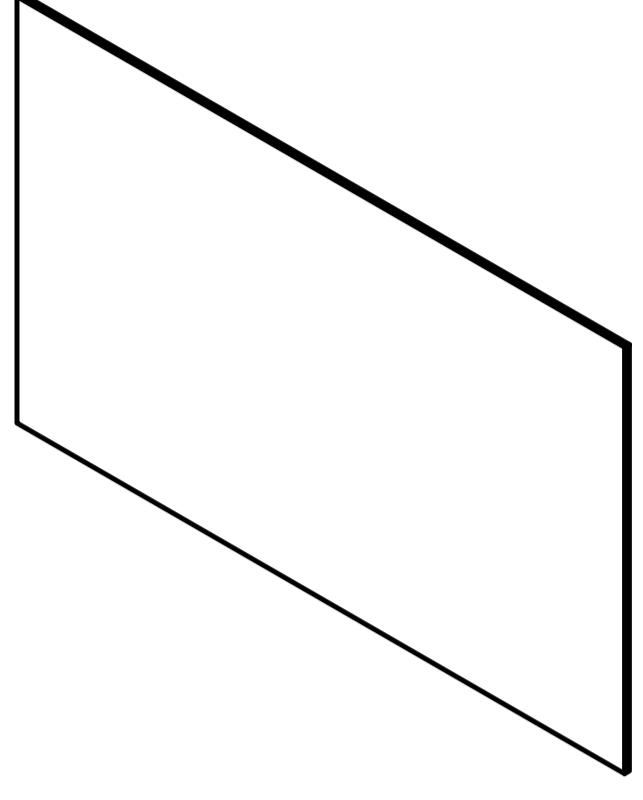
Dx2



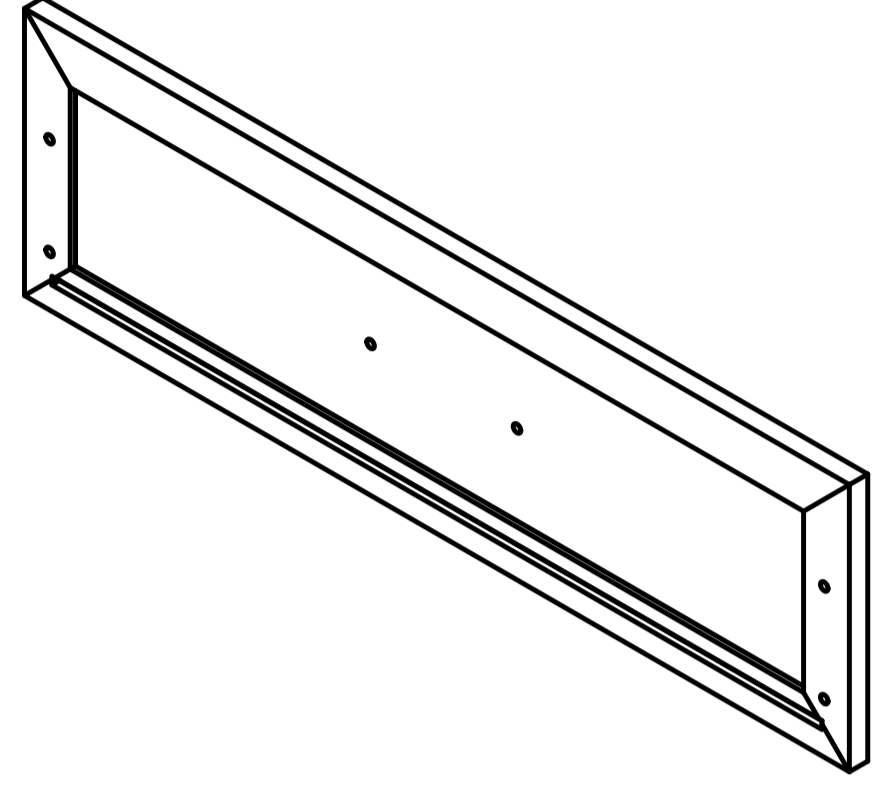
Ex6



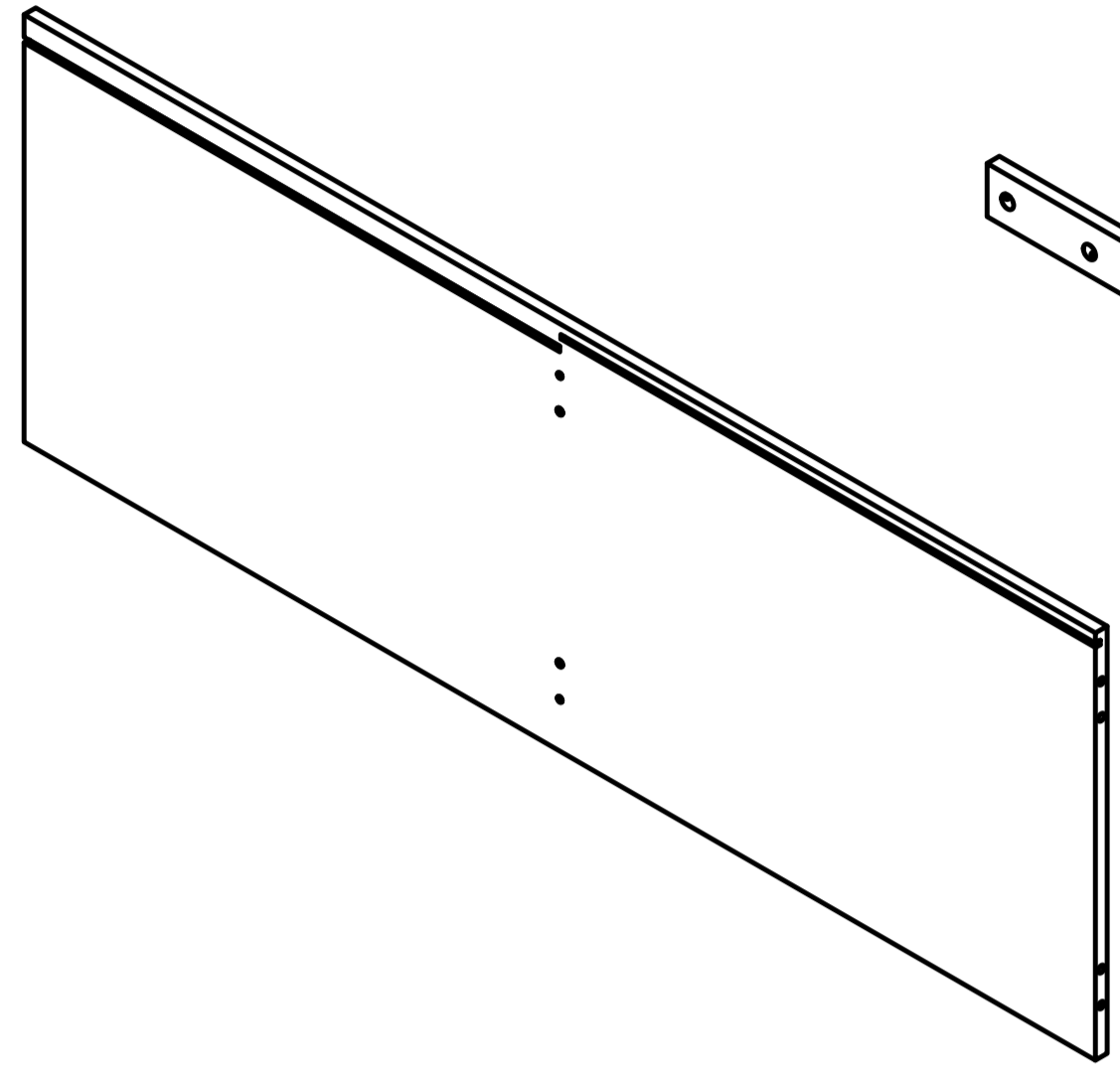
Fx12



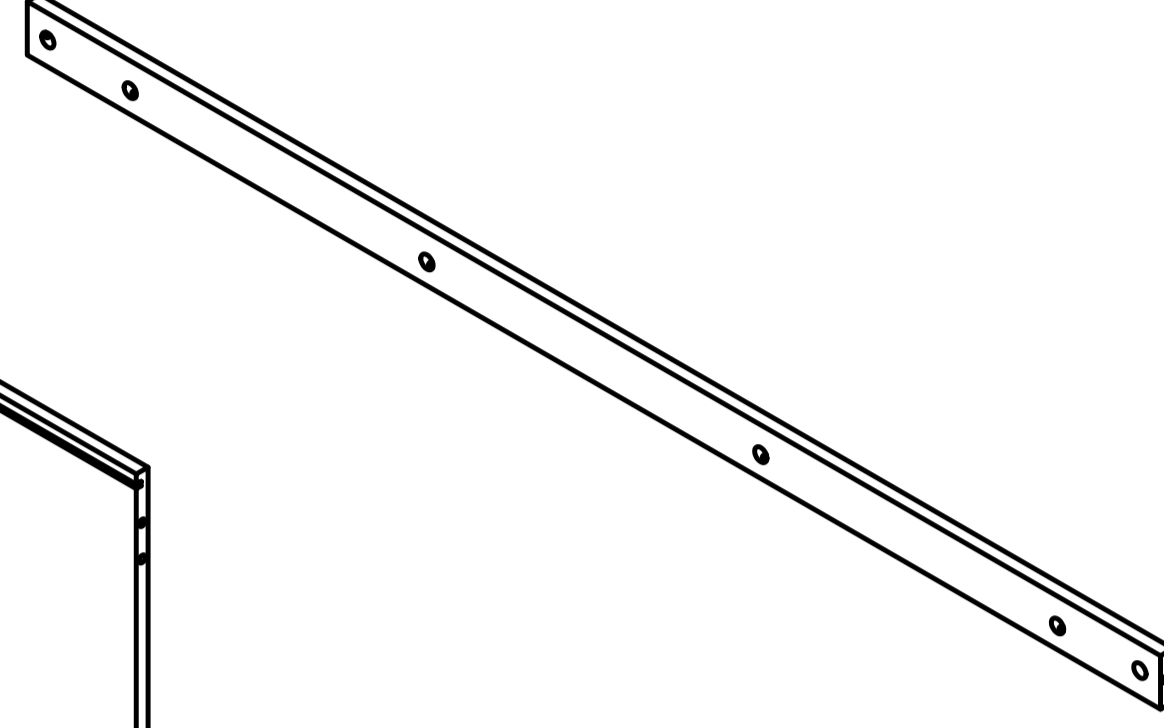
Gx6



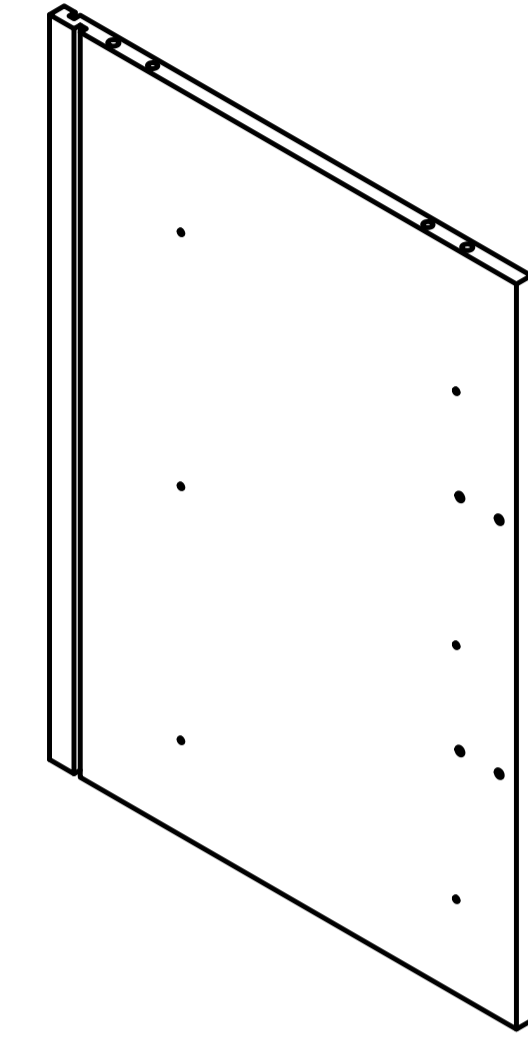
Hx6



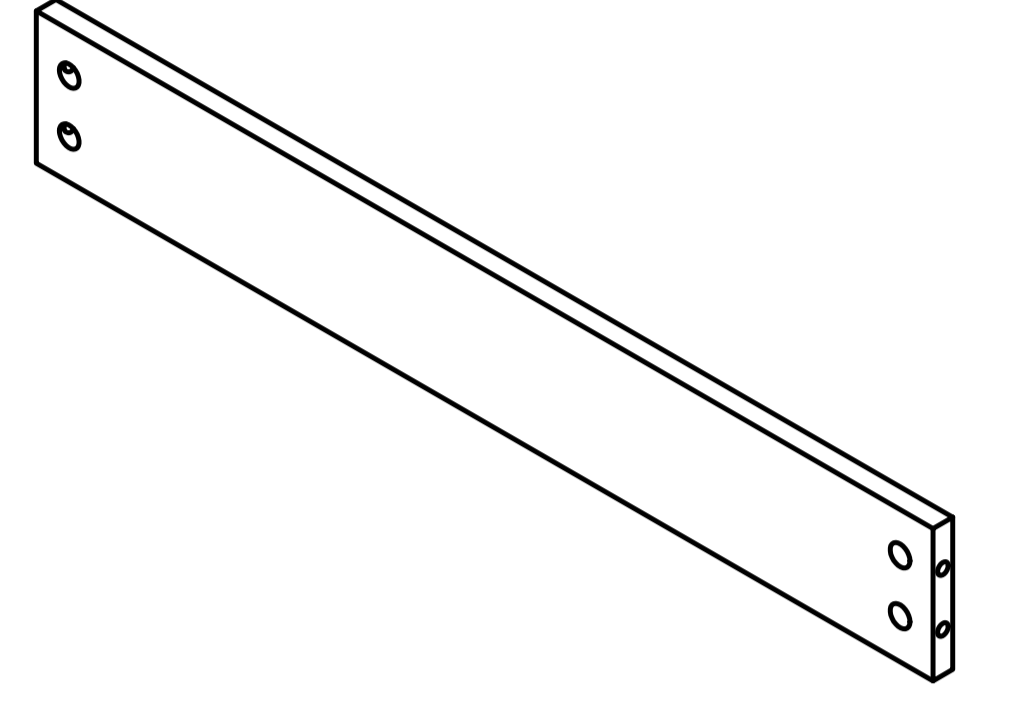
Ix1



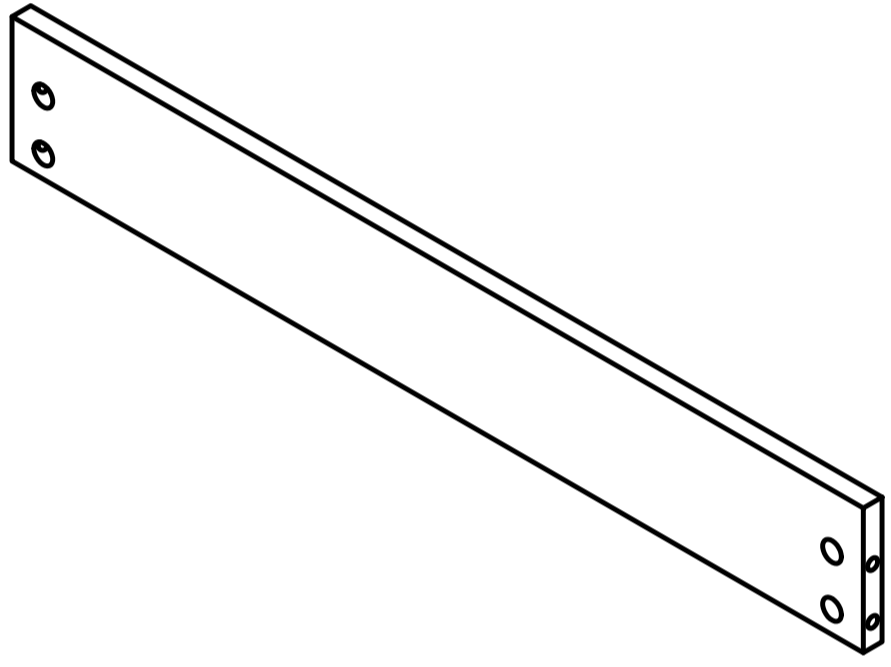
Jx2



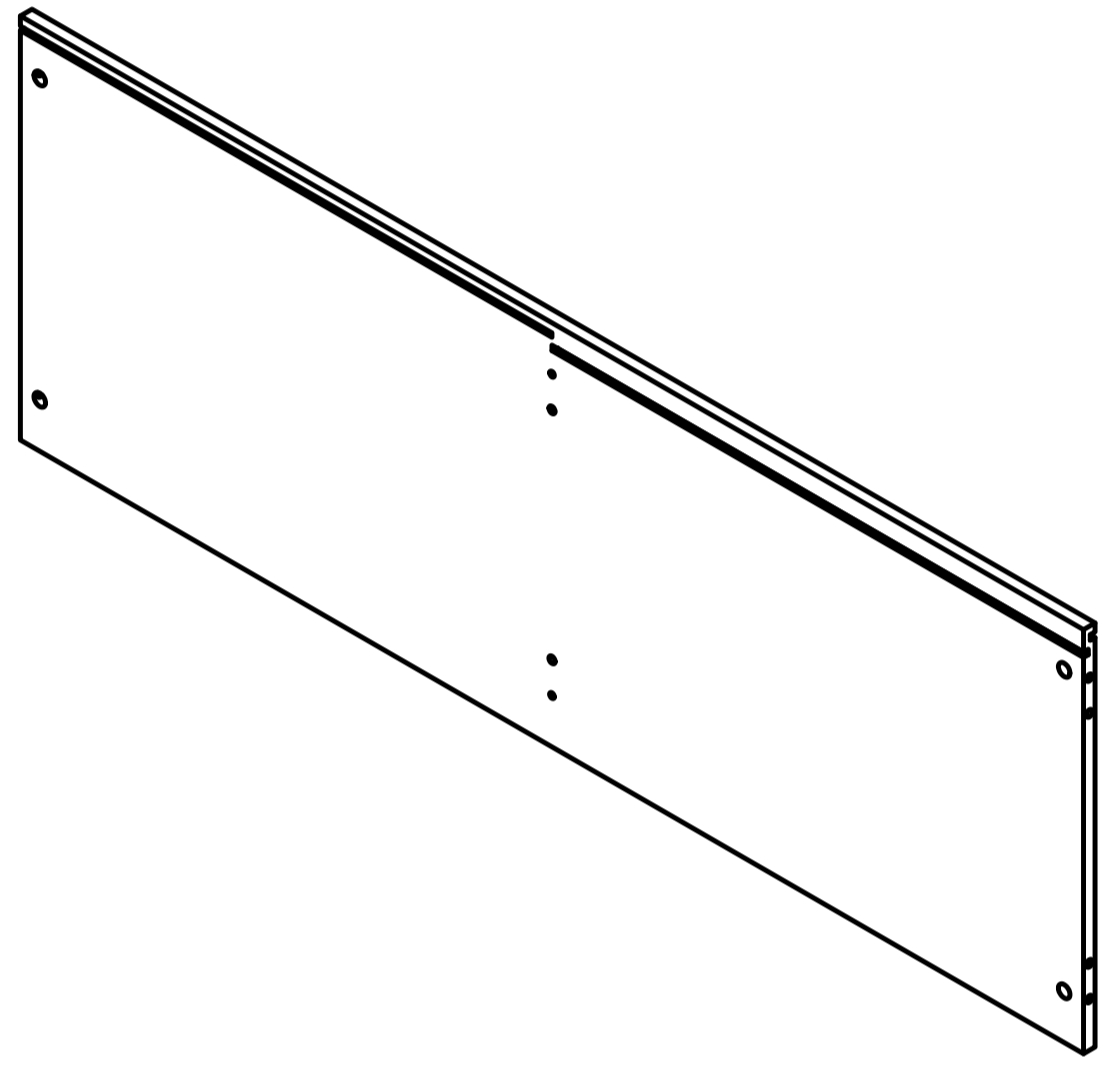
Kx1



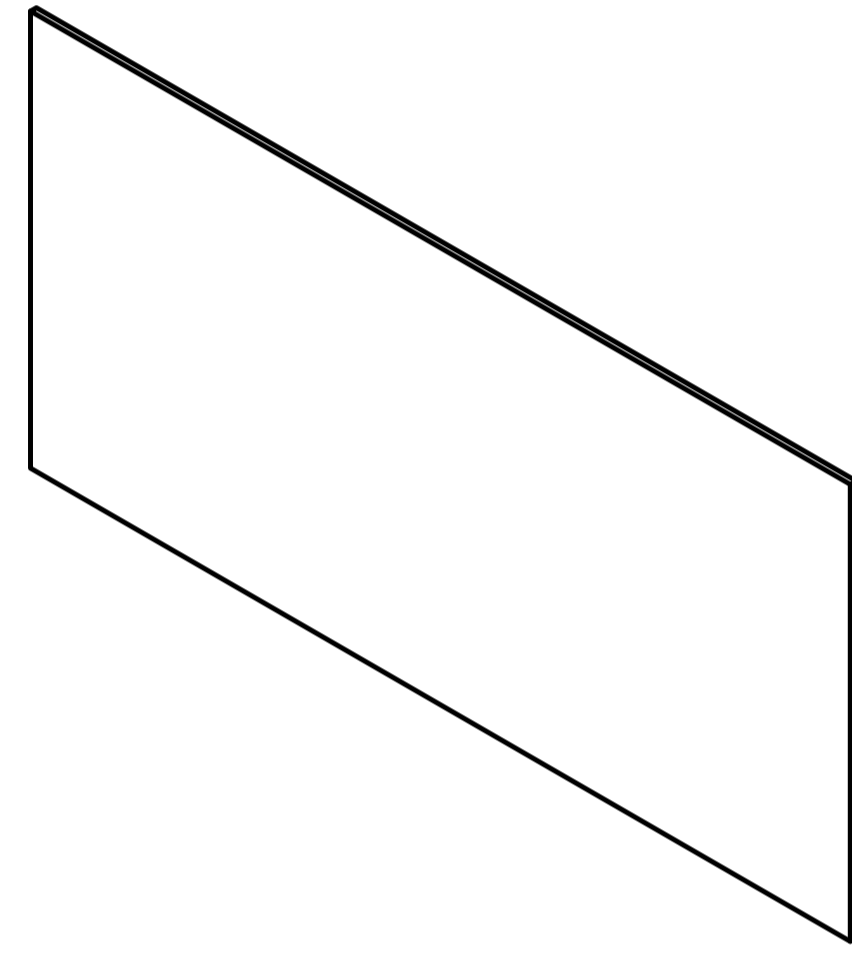
Lx2



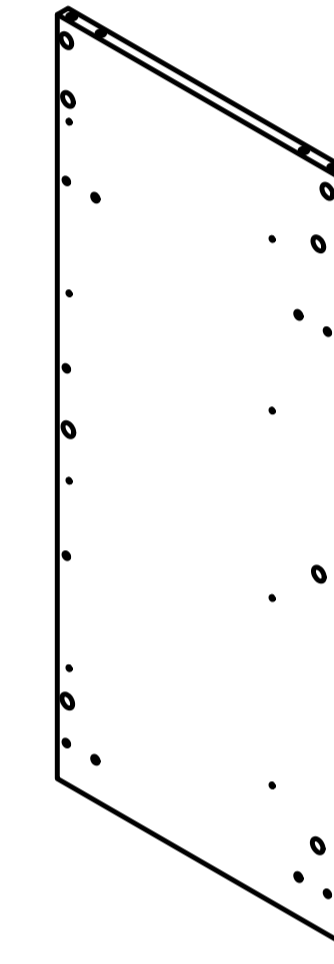
Mx2



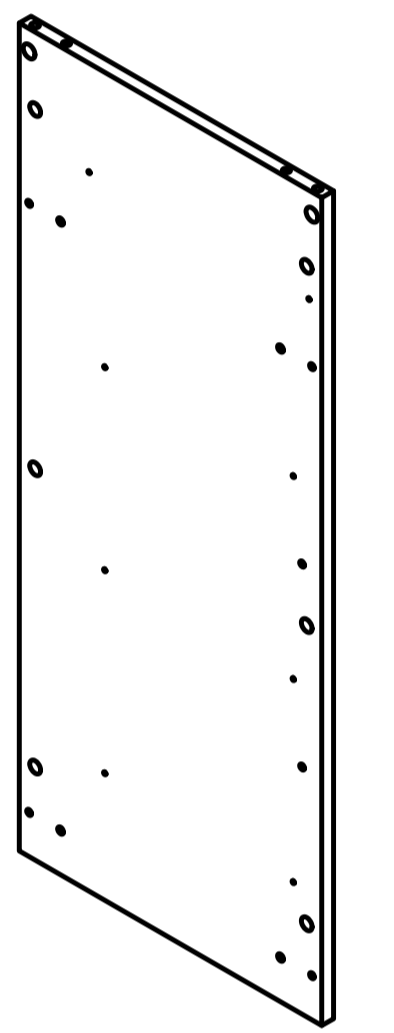
Nx1



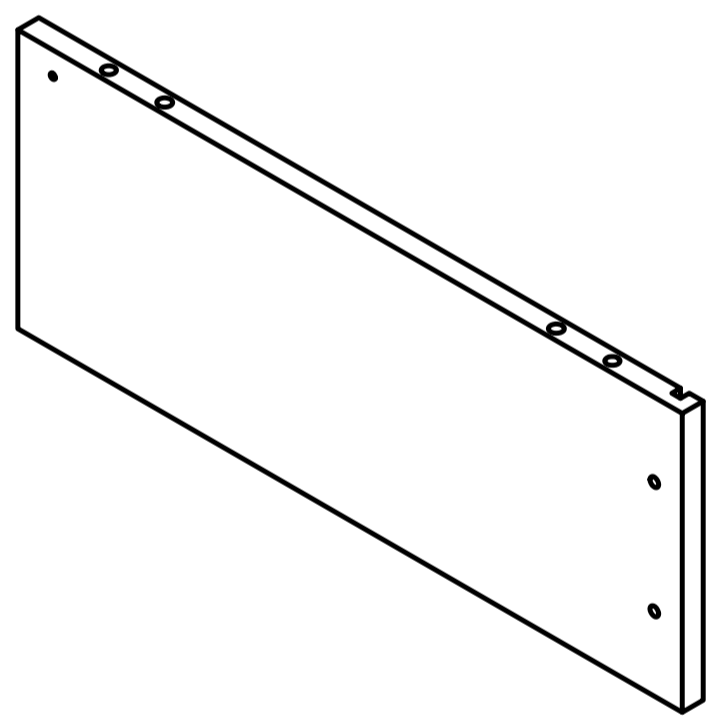
Ox2



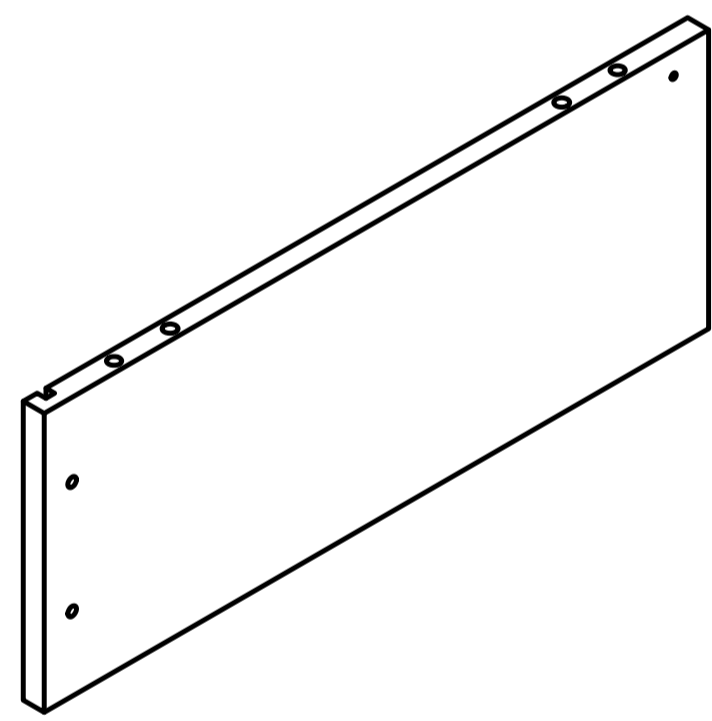
Px1



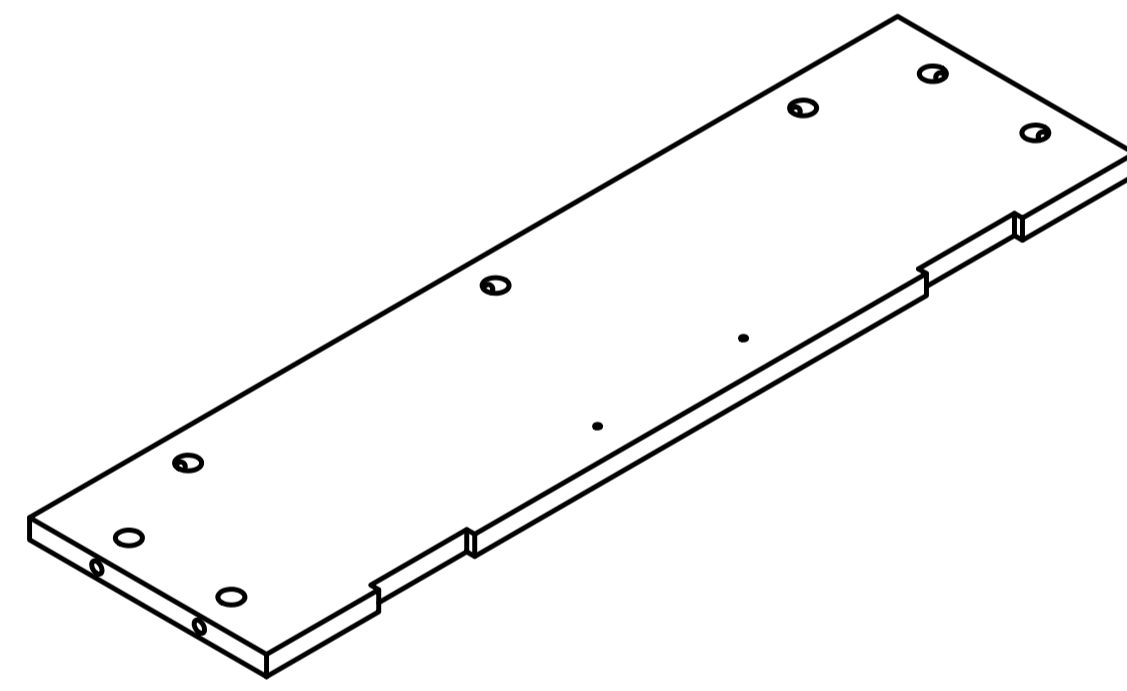
Qx1



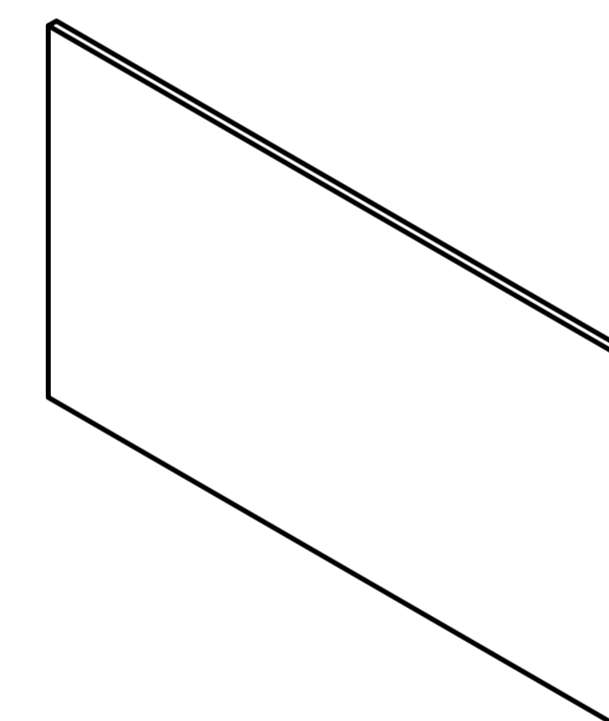
Rx1



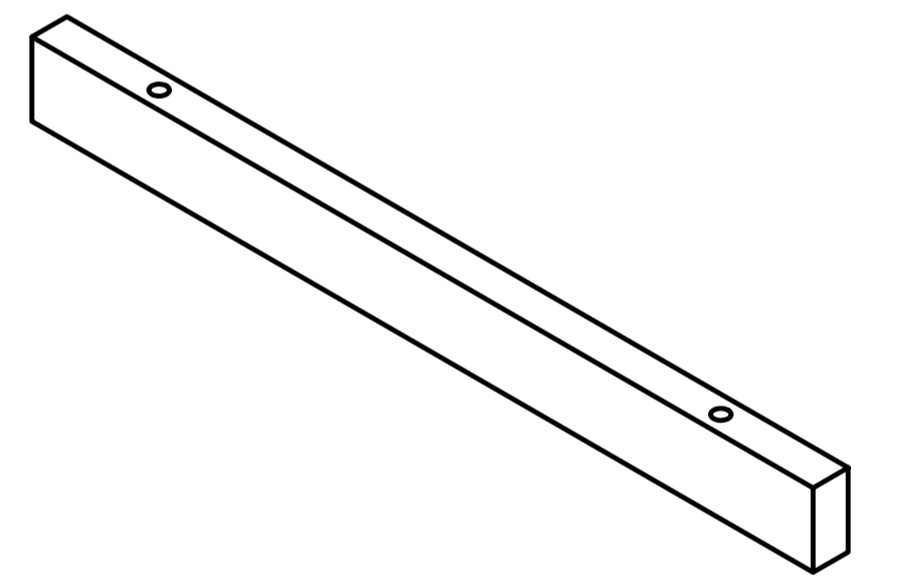
Sx1



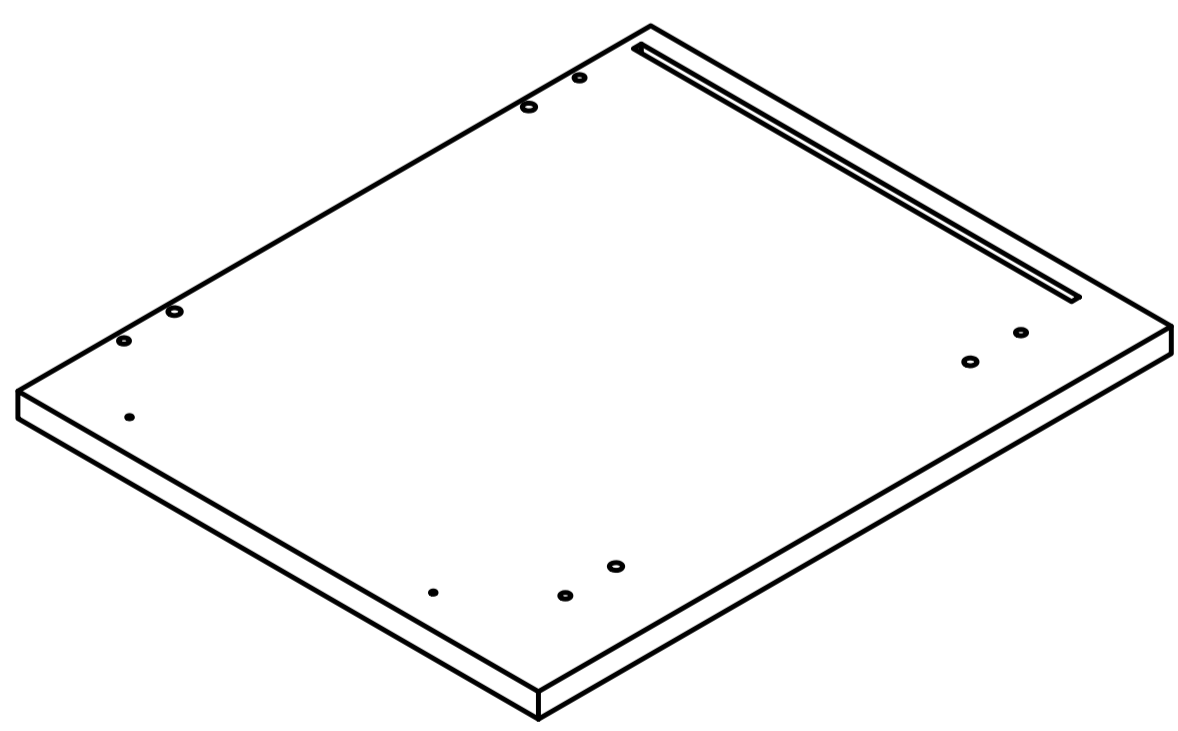
Tx1



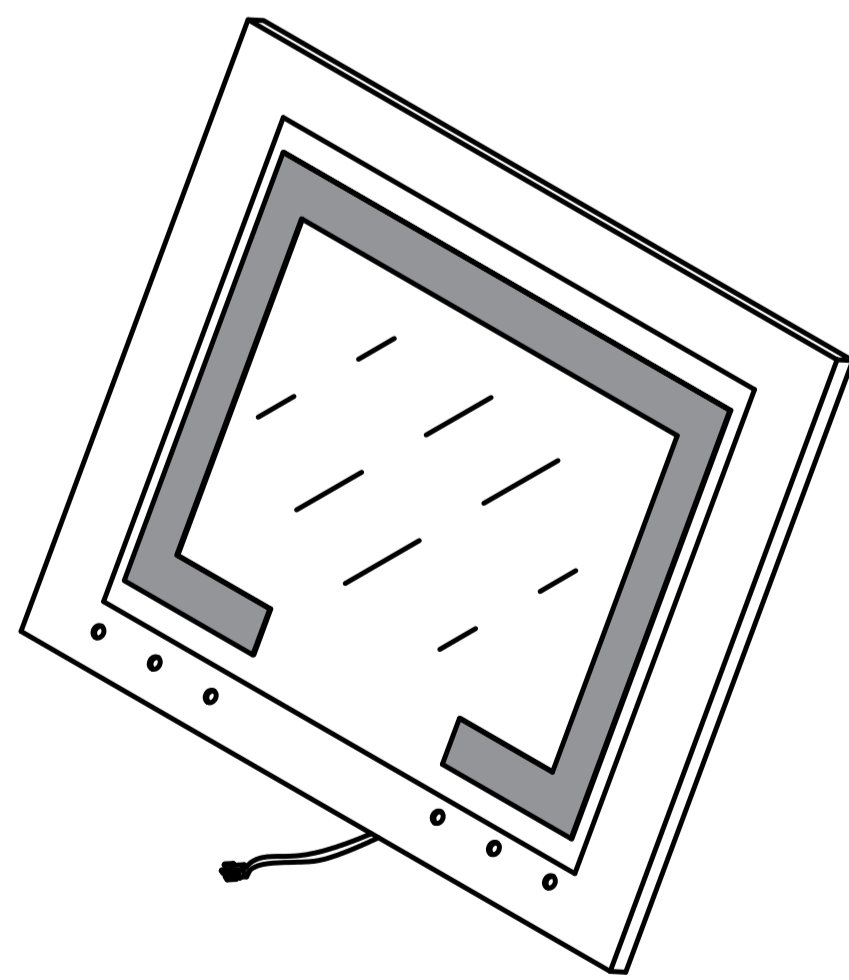
Ux2



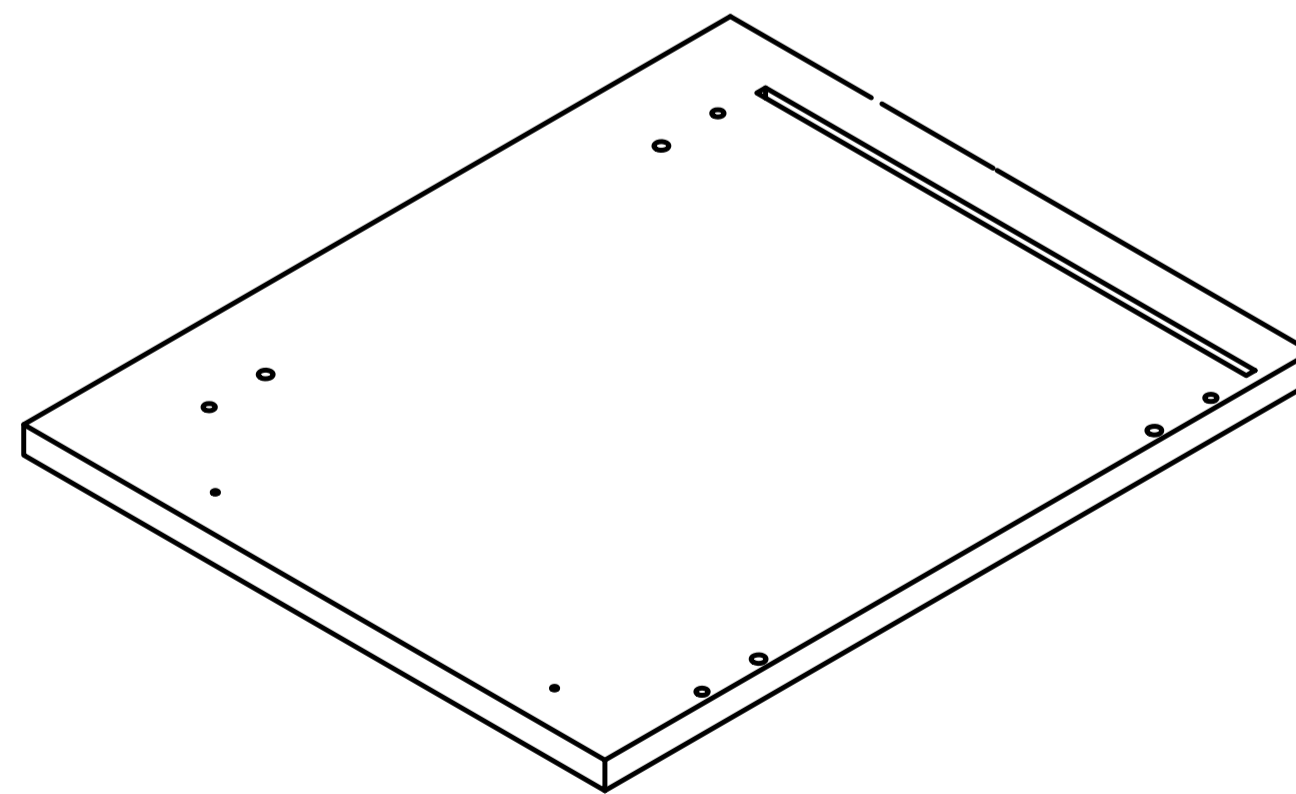
Vx2



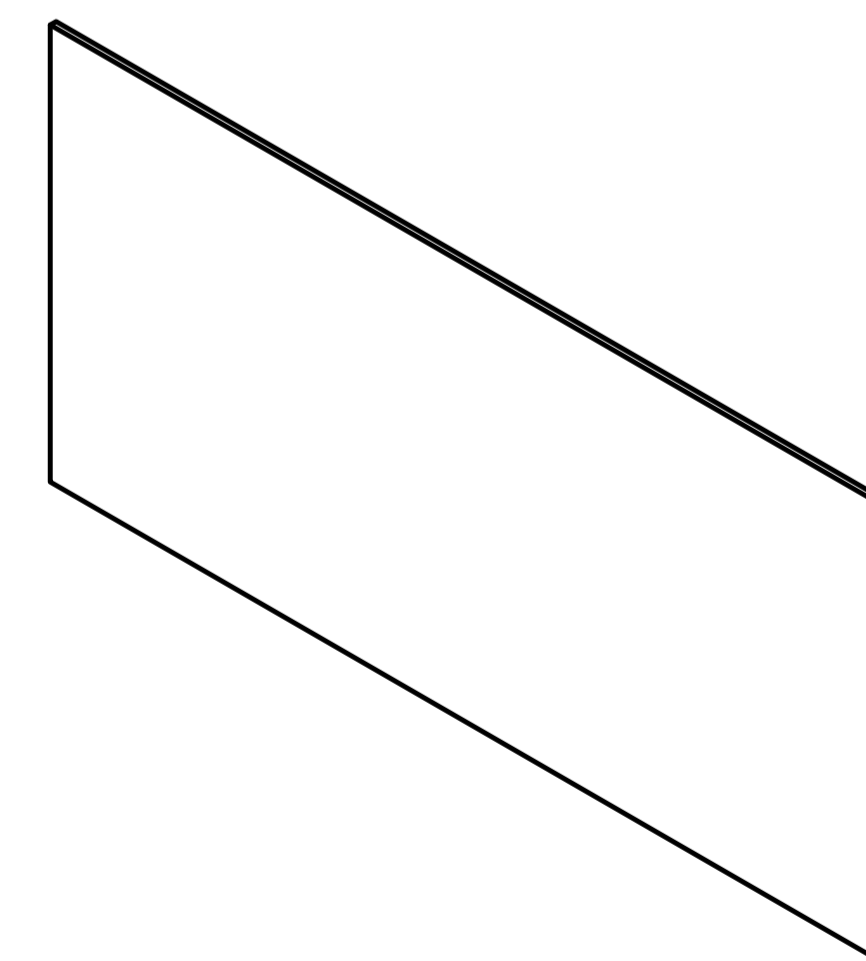
Wx1



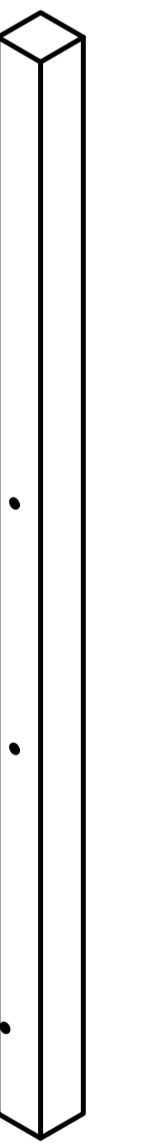
Xx1



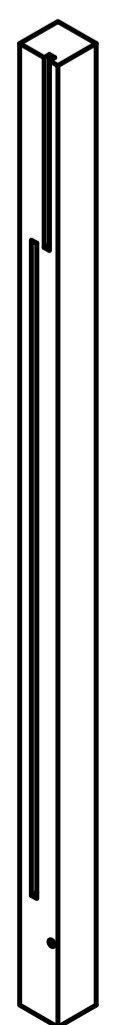
Yx1



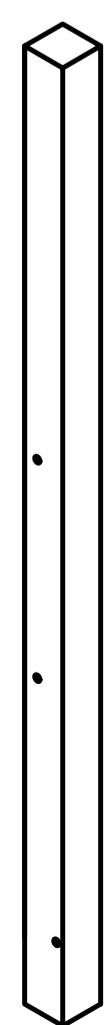
Zx2



P1x1



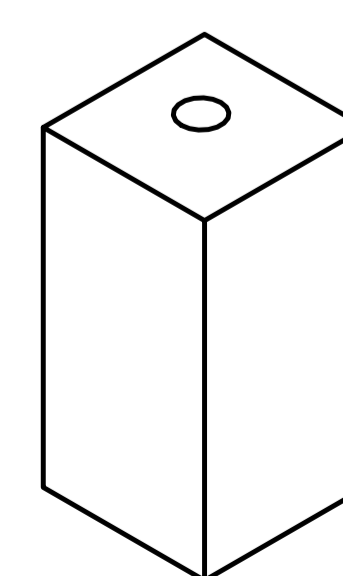
P2x1



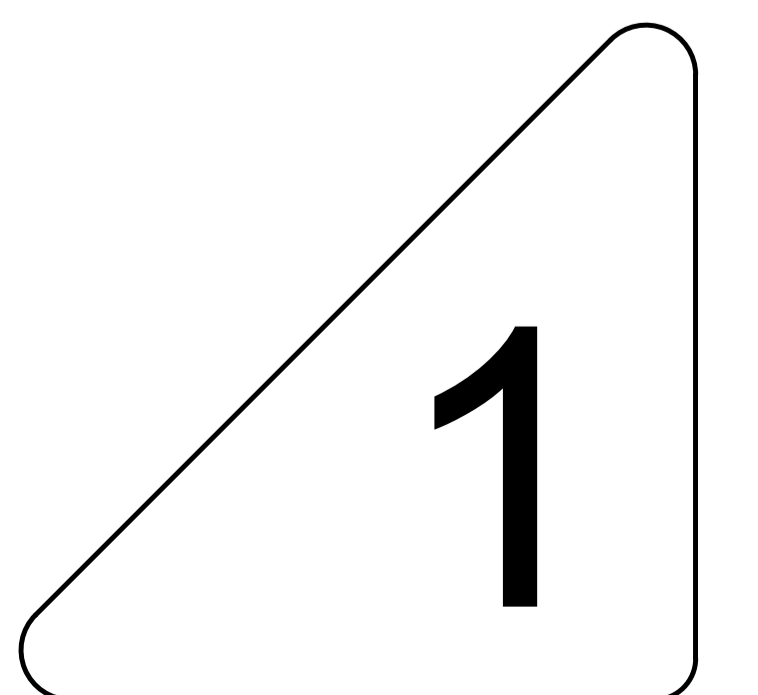
Q1x1



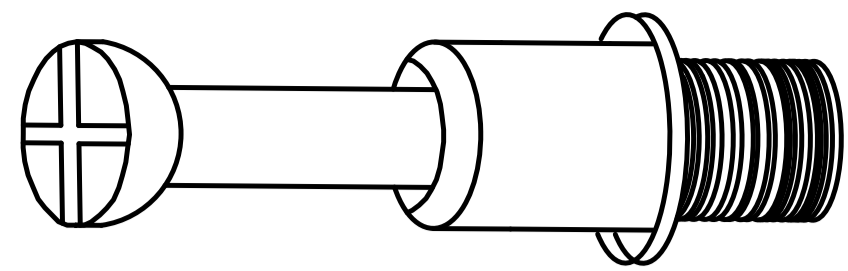
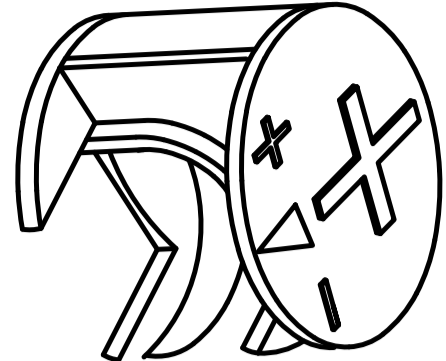
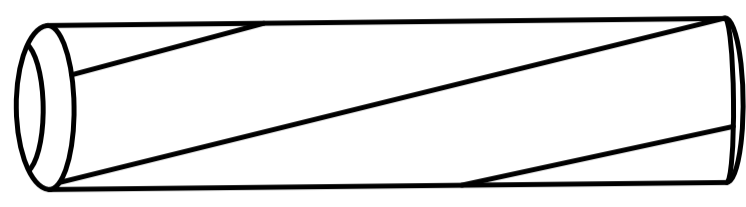
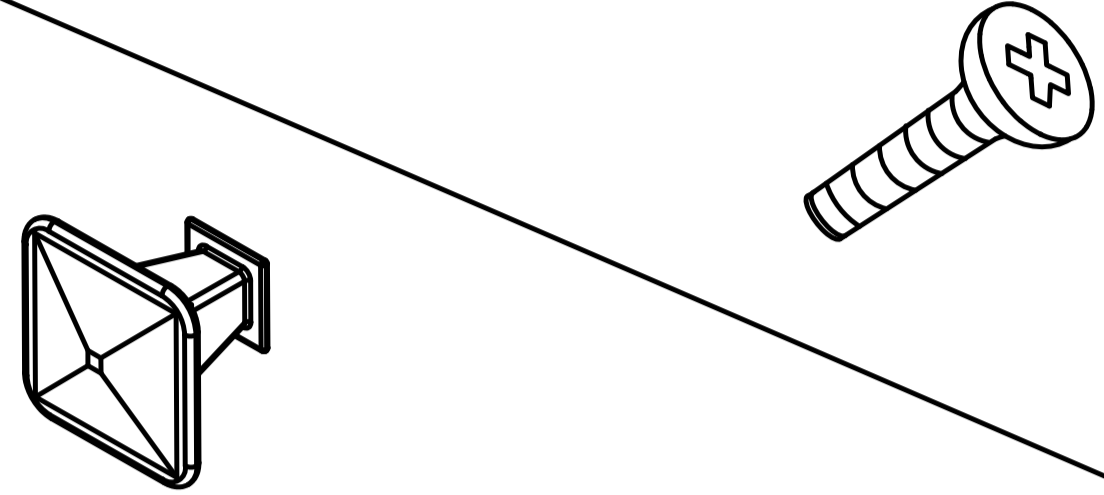
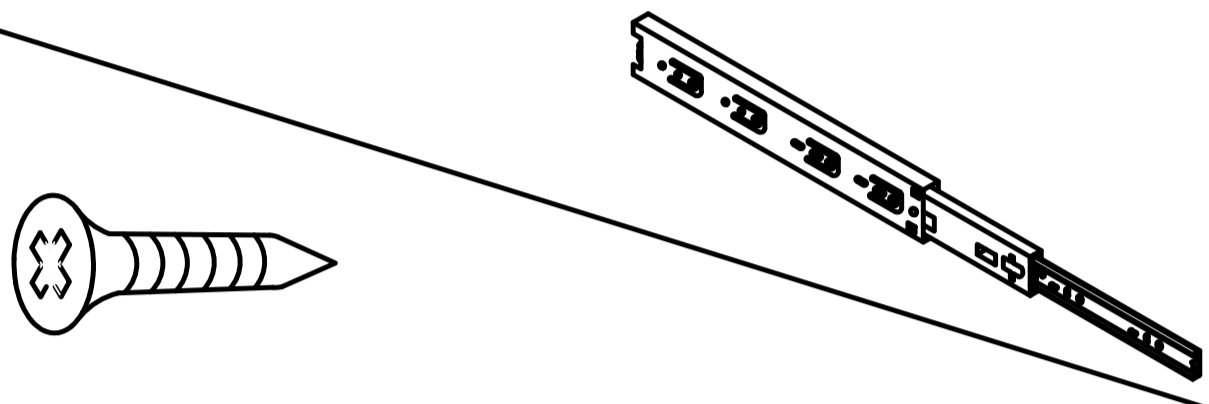

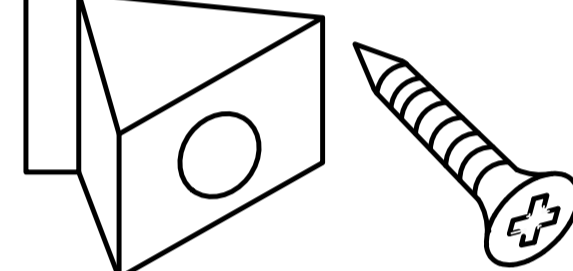
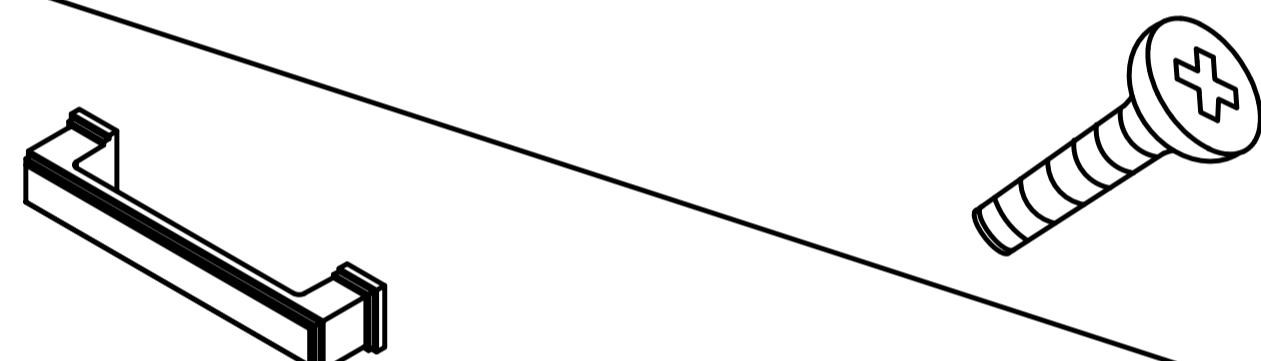
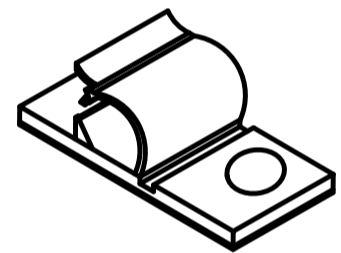
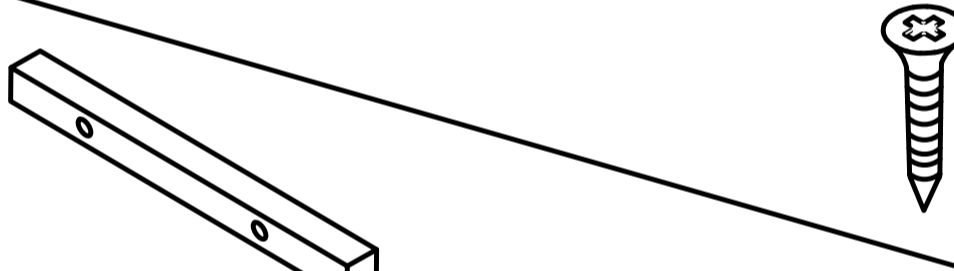
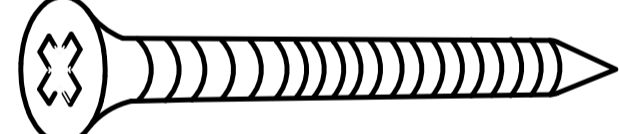
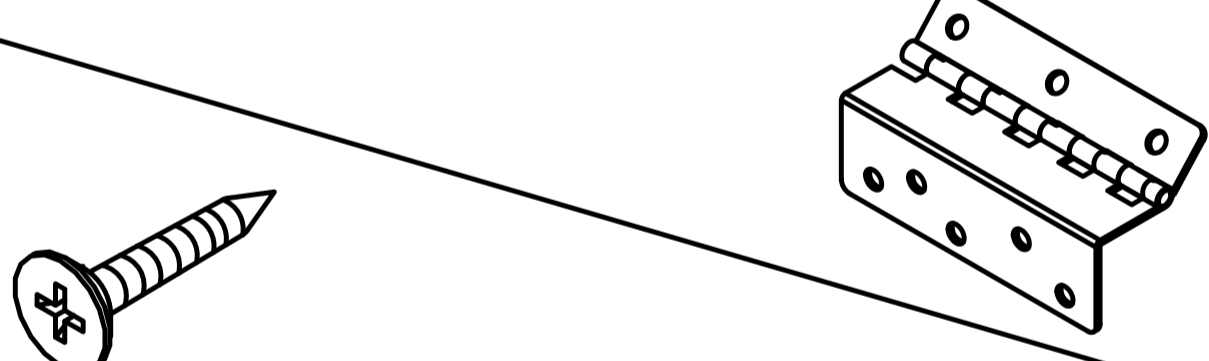
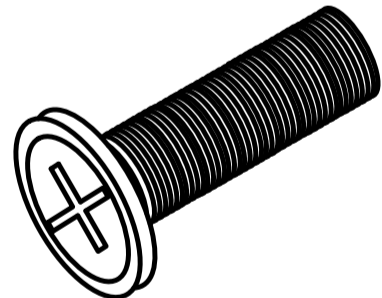
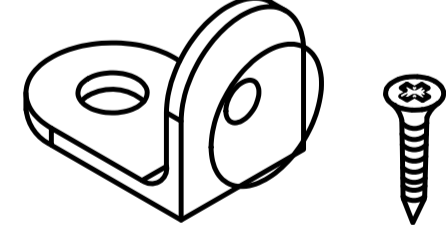
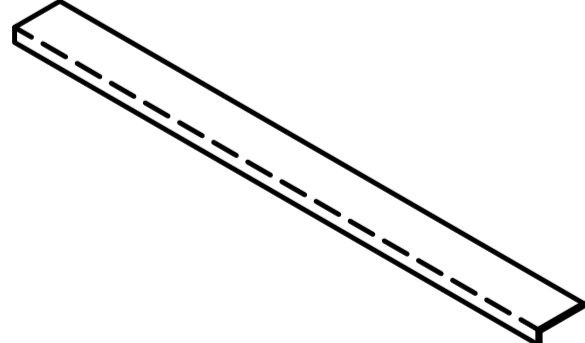
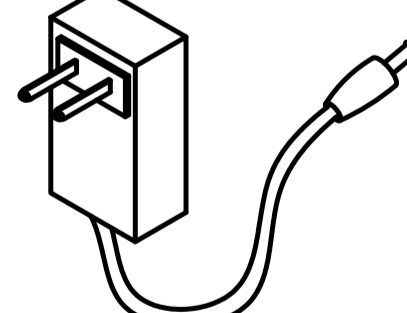
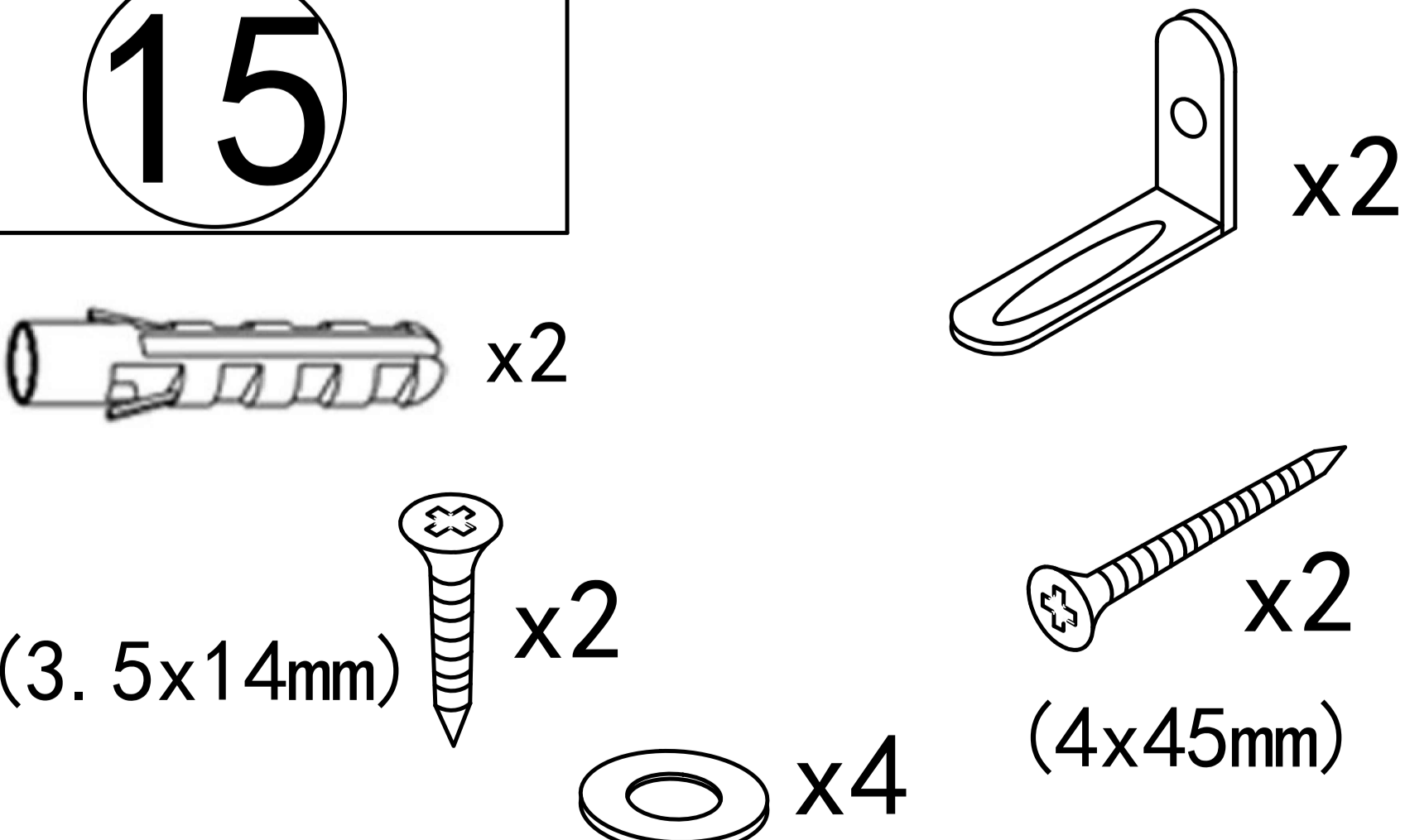
Q2x1



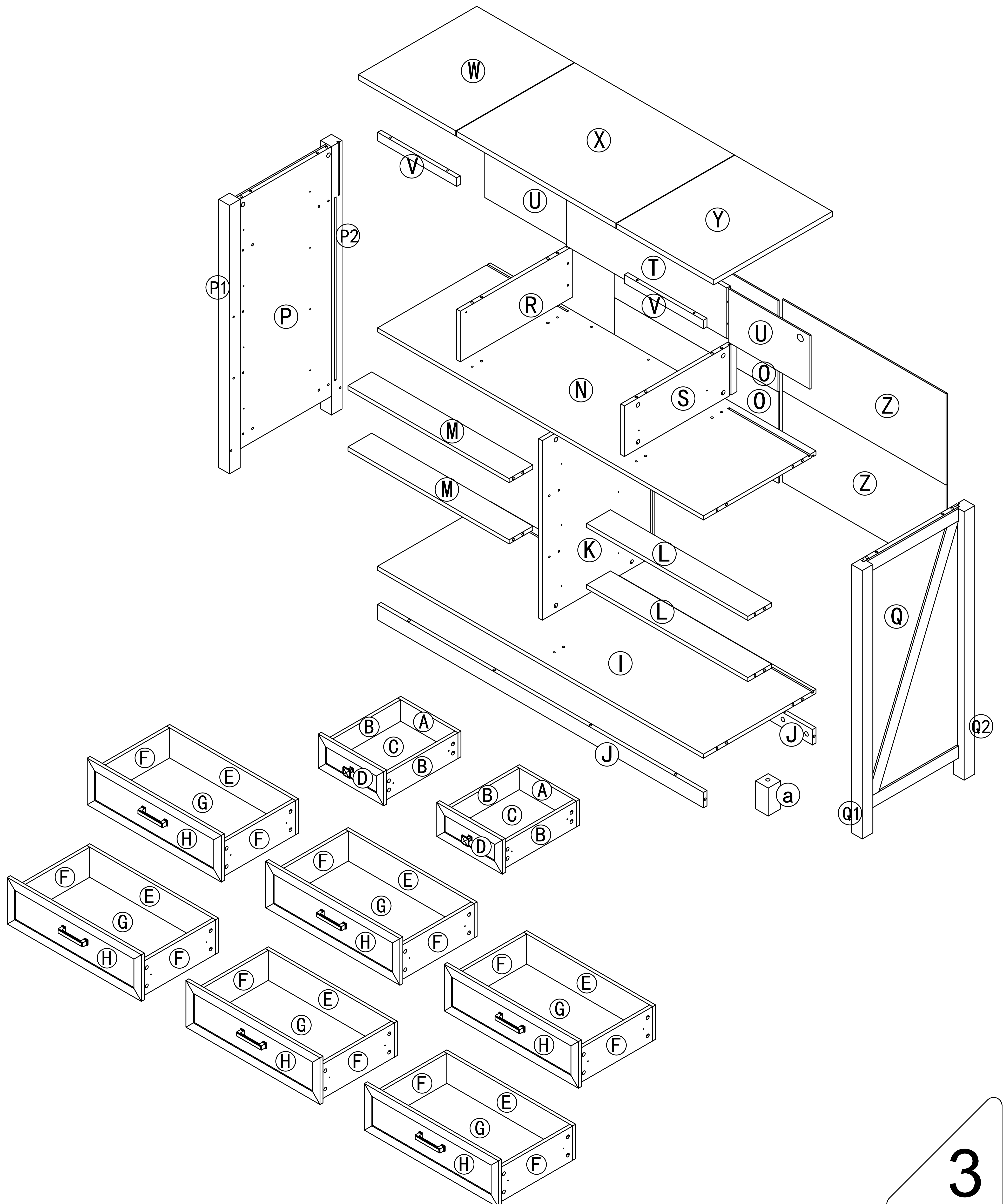
ax1

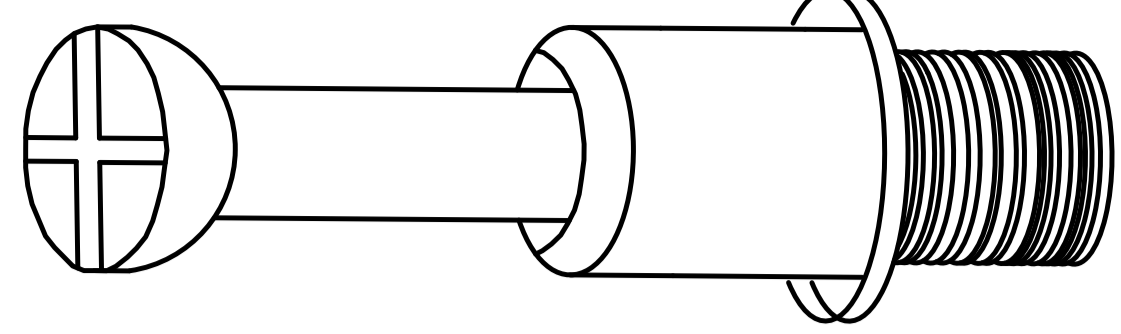
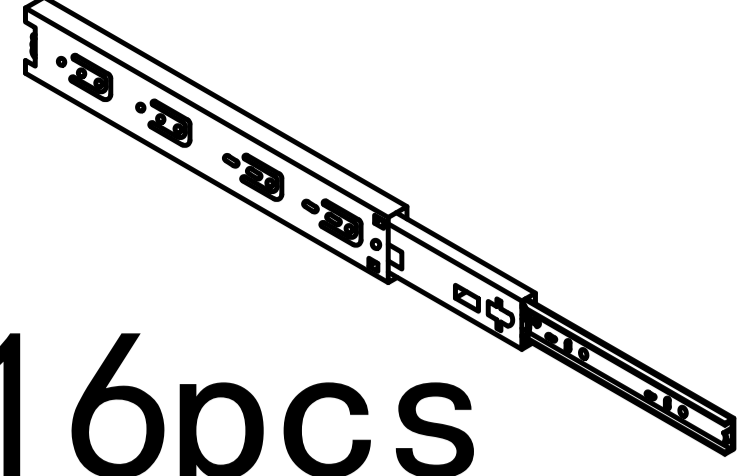
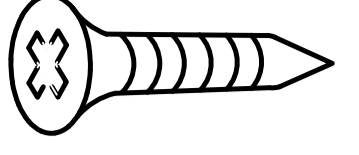
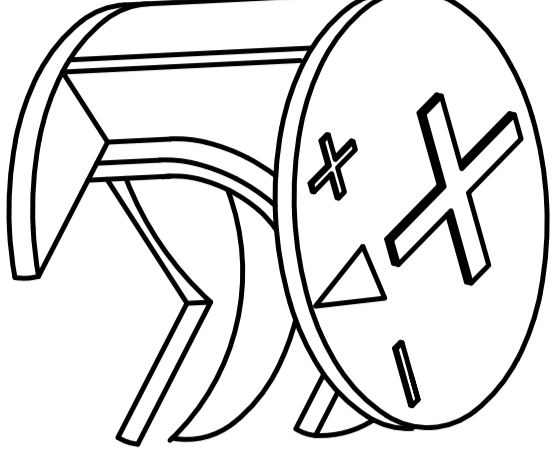
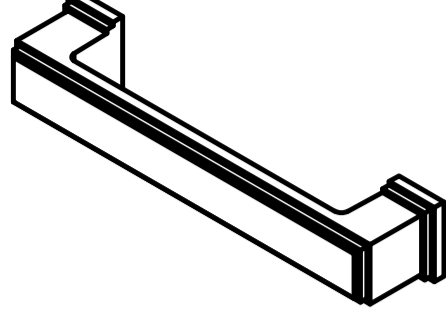
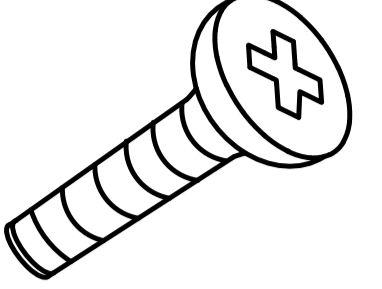
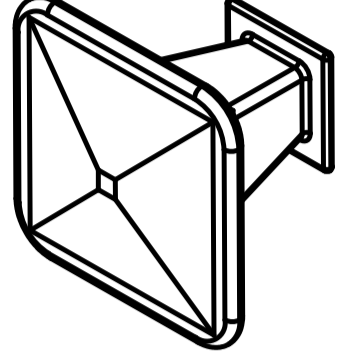
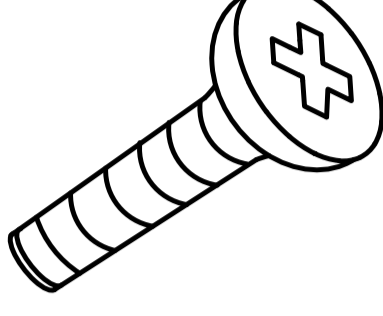


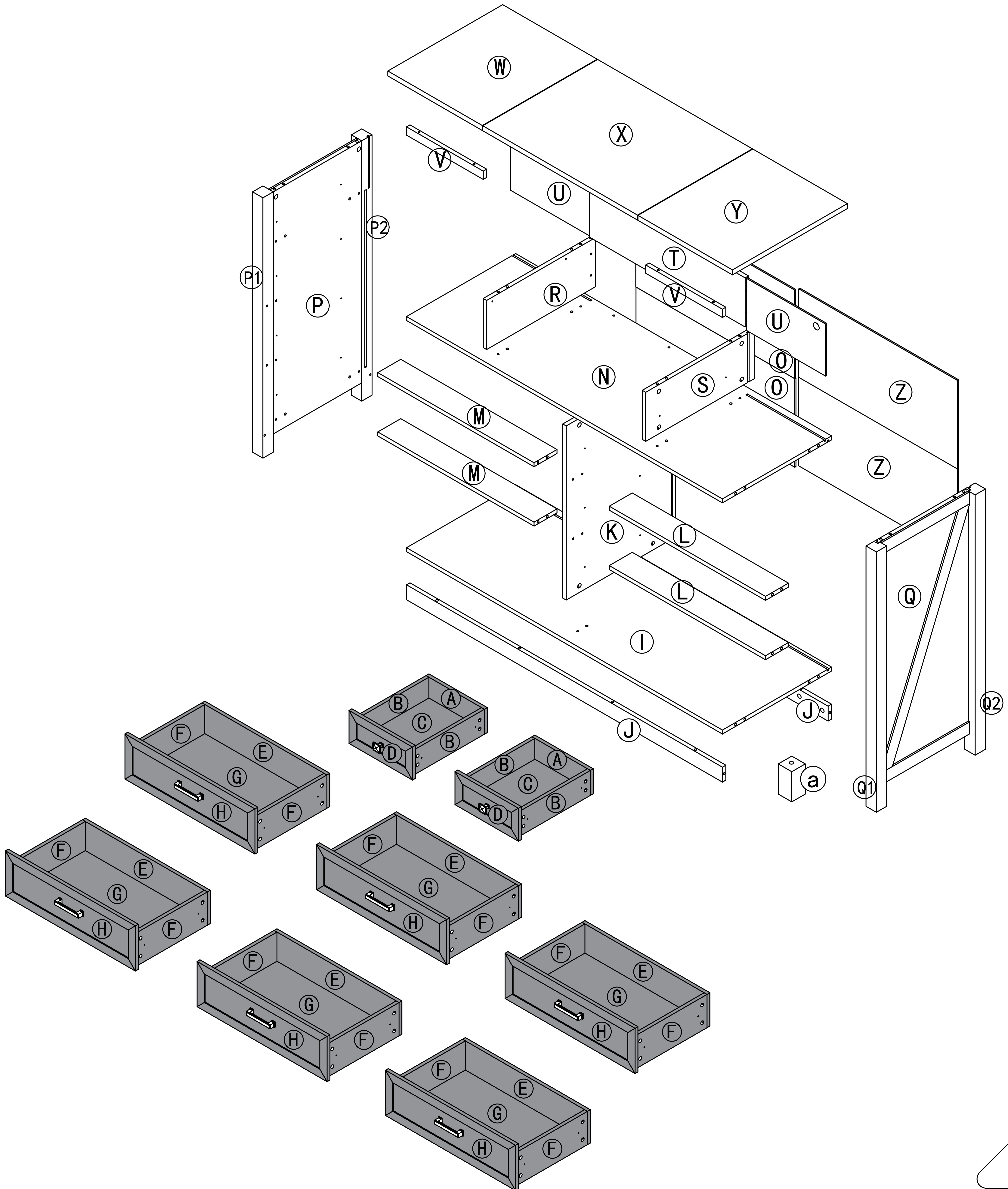
1

①		Two In One Screw (6x28mm)	135pcs +4pcs
②		Two In One Nut (10x12mm)	135pcs +4pcs
③		Wood Chipping (6x30mm)	24pcs +2pcs
④		Handle & screw (4x8mm)	2pcs
⑤		Screw & Guide(12 inch) (3x12mm)	16pcs 80pcs +4pcs
⑥		Non-slip pads	5pcs
⑦		Fixing clip & screw (3x16mm)	20pcs
⑧		Handle & screw (4x8mm)	12pcs 6pcs
⑨		Clamp	1pcs
⑩		Rubber Strip Guide & Screw (4x16mm)	2pcs 1pcs
⑪		Screw (4x25mm)	4pcs
⑫		Hinge & Screw (3.5x12mm)	2pcs 16pcs
⑬		Screw (6x25mm)	1pcs
⑭		Laminate Support Nail & Screw (4x12mm)	2pcs
/		Paper template	1pcs
/		AC/DC Adapter (12V=2.0A)	1pcs
<p data-bbox="121 2451 222 2540">⑮</p>  <p data-bbox="142 2813 533 2867">Anti Fall Hardware</p>	 <p data-bbox="1163 2591 1283 2644">1pcs</p> <p data-bbox="842 2807 1703 2861">Double-head screwdriver, use as required</p> <div data-bbox="1780 2629 2024 2873" style="border: 1px solid black; padding: 10px; display: inline-block;">2</div>		

Product structure decomposition

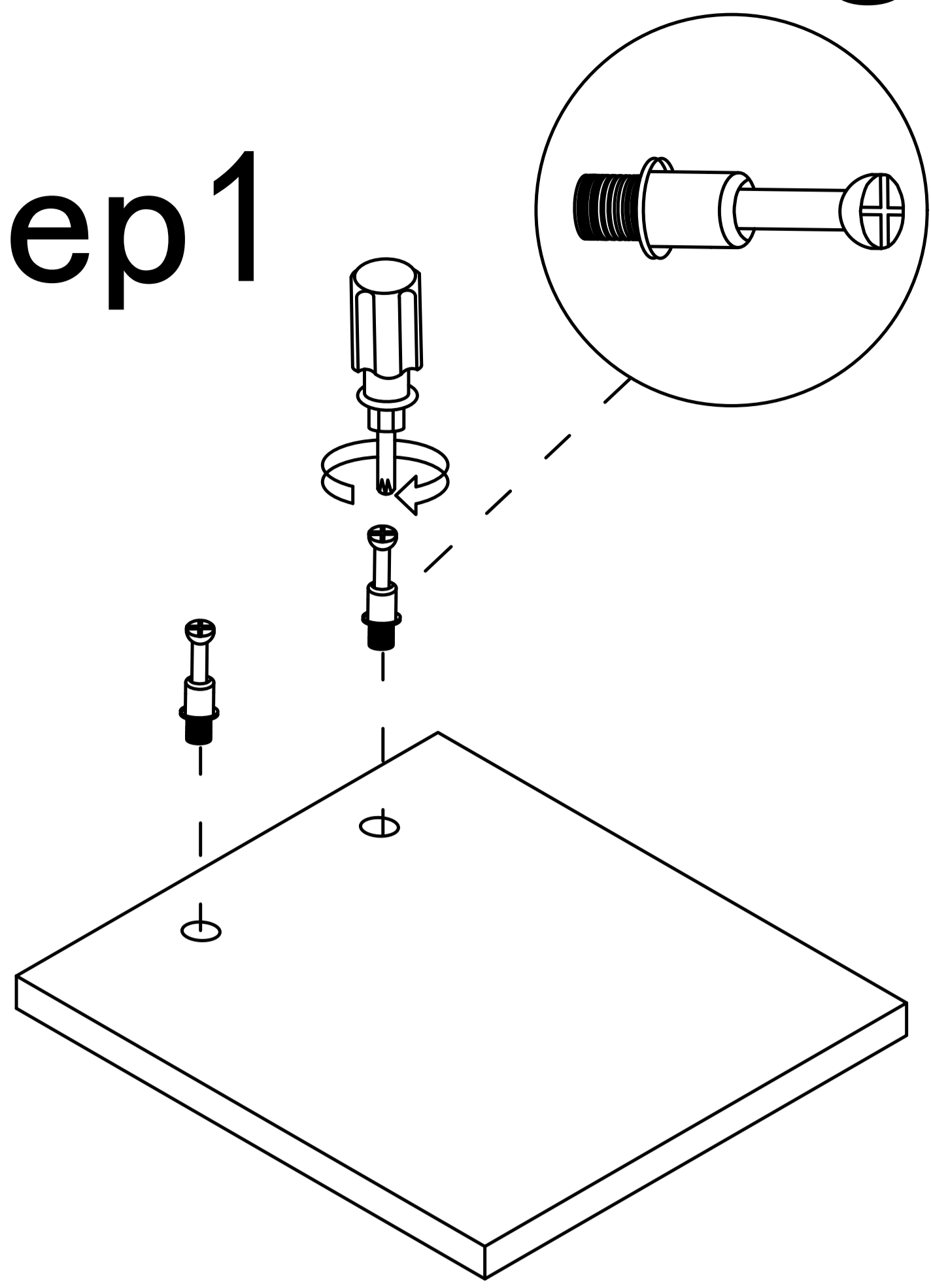


<p>1</p>		<p>64pcs</p>	<p>5</p>	 <p>16pcs</p>	 <p>32pcs</p>
<p>2</p>		<p>64pcs</p>	<p>8</p>	 <p>6pcs</p>	 <p>12pcs</p>
<p>4</p>	 <p>2pcs</p>  <p>2pcs</p>				

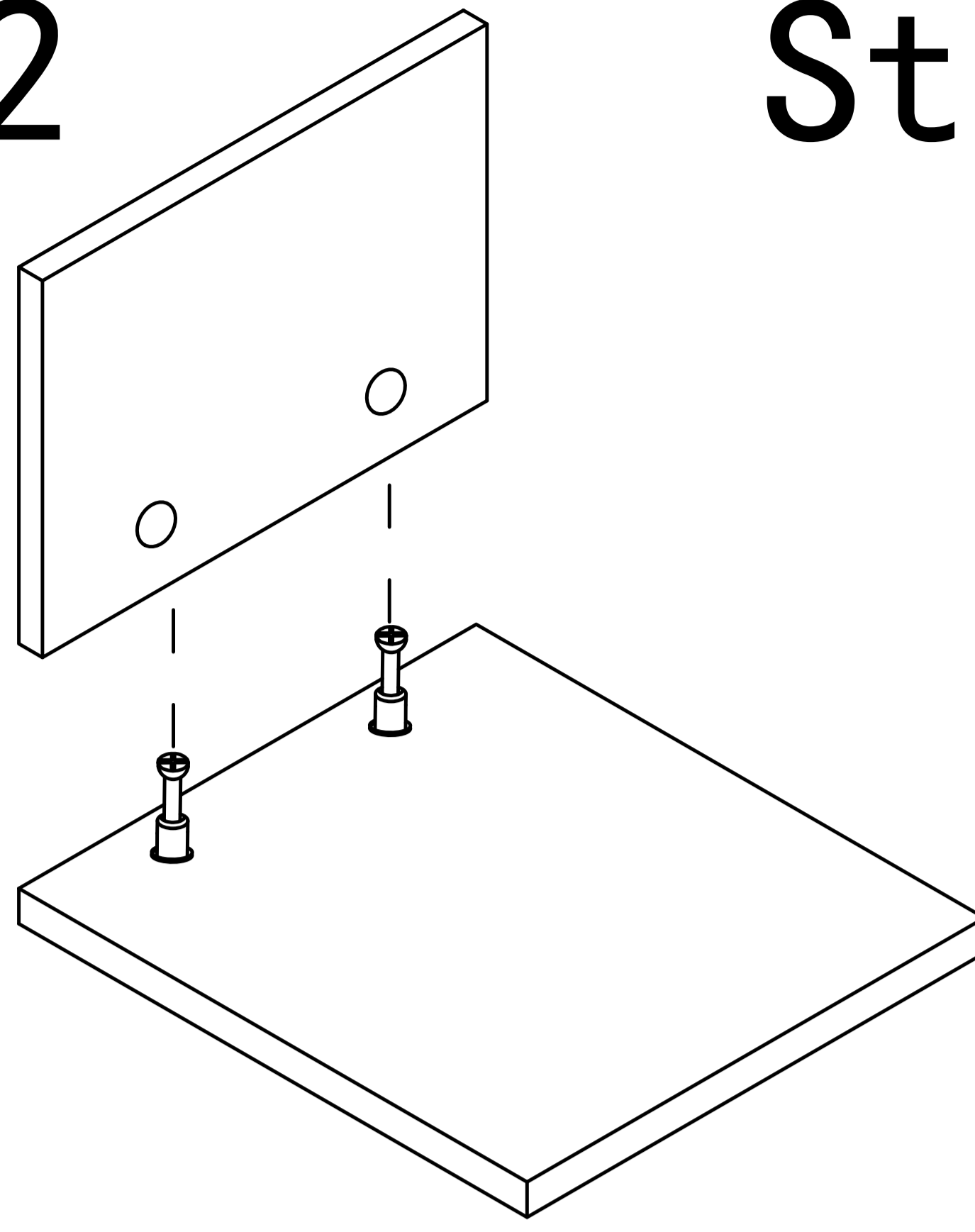


Use parts ① and ②

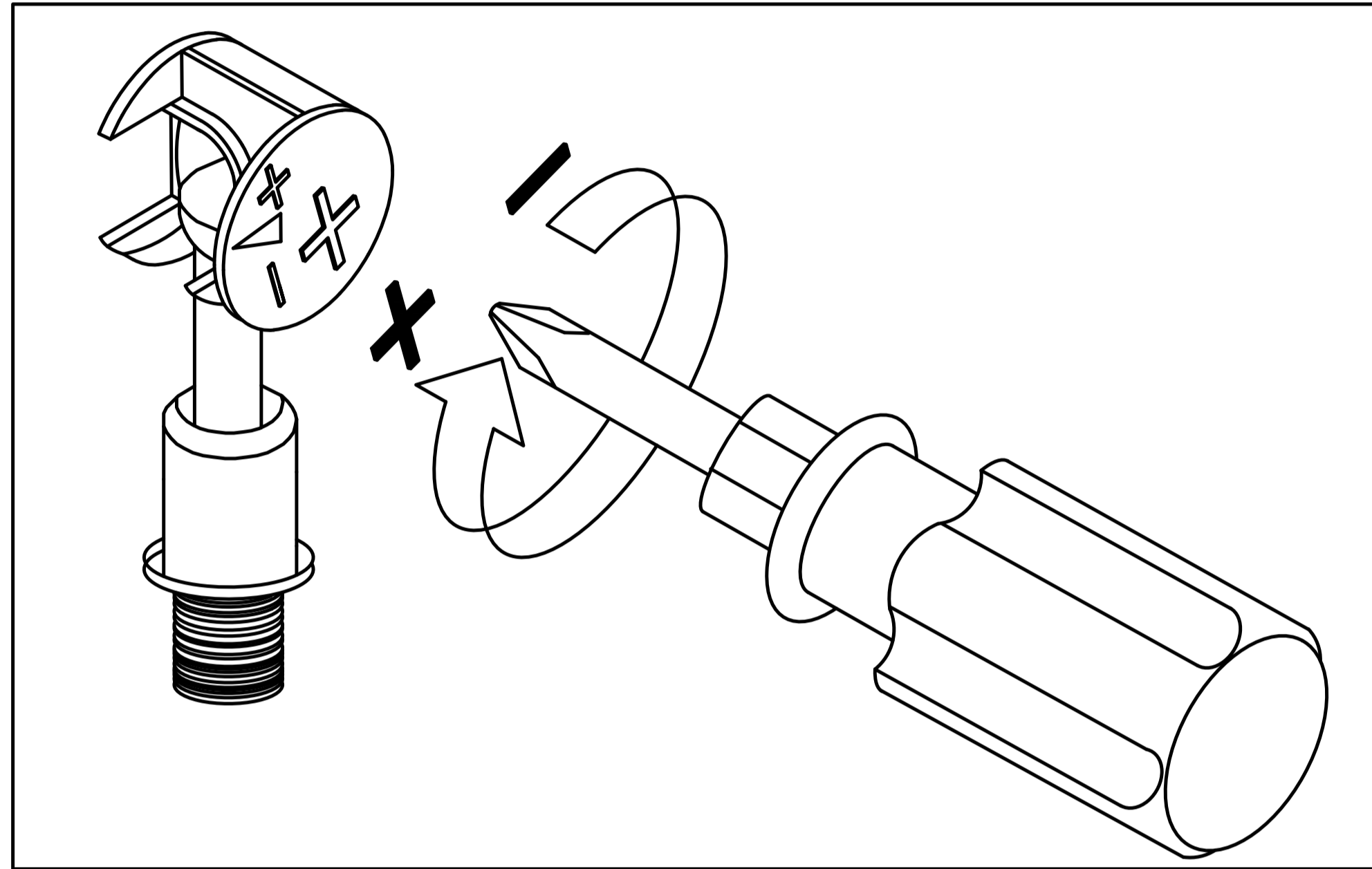
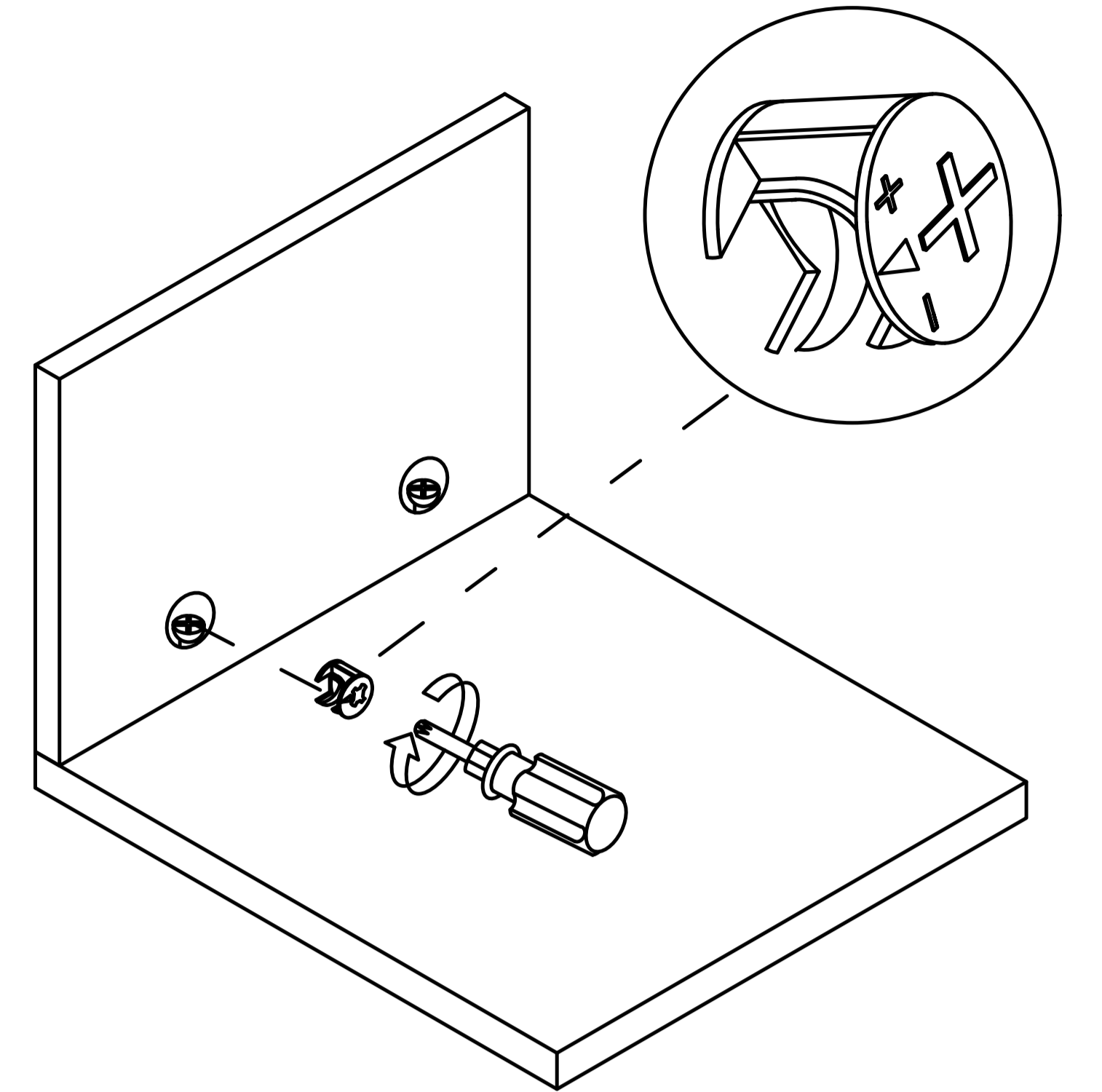
Step 1



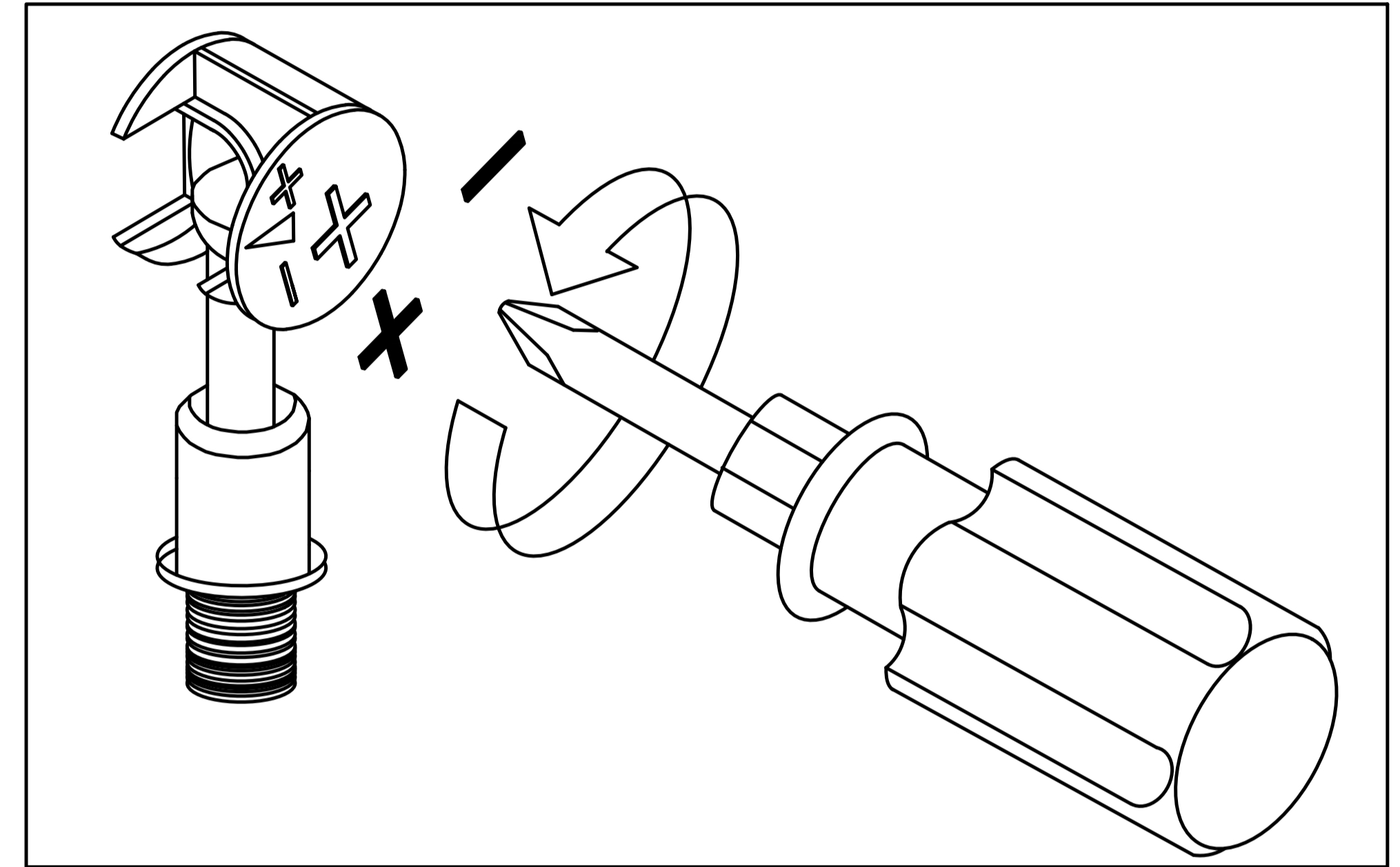
Step 2



Step 3

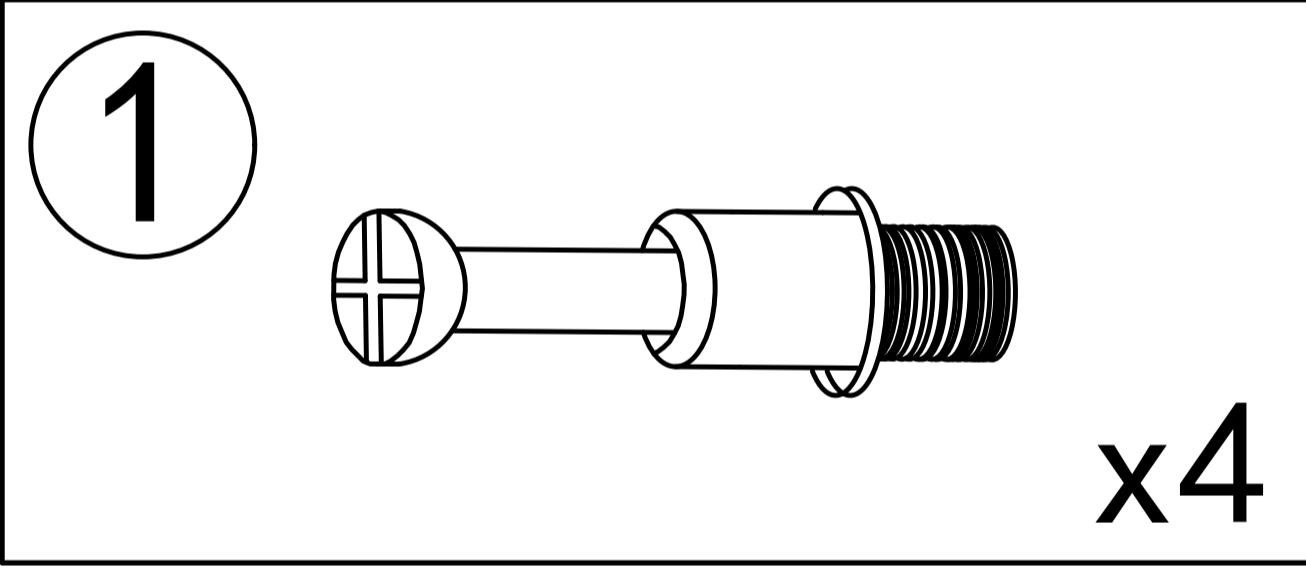
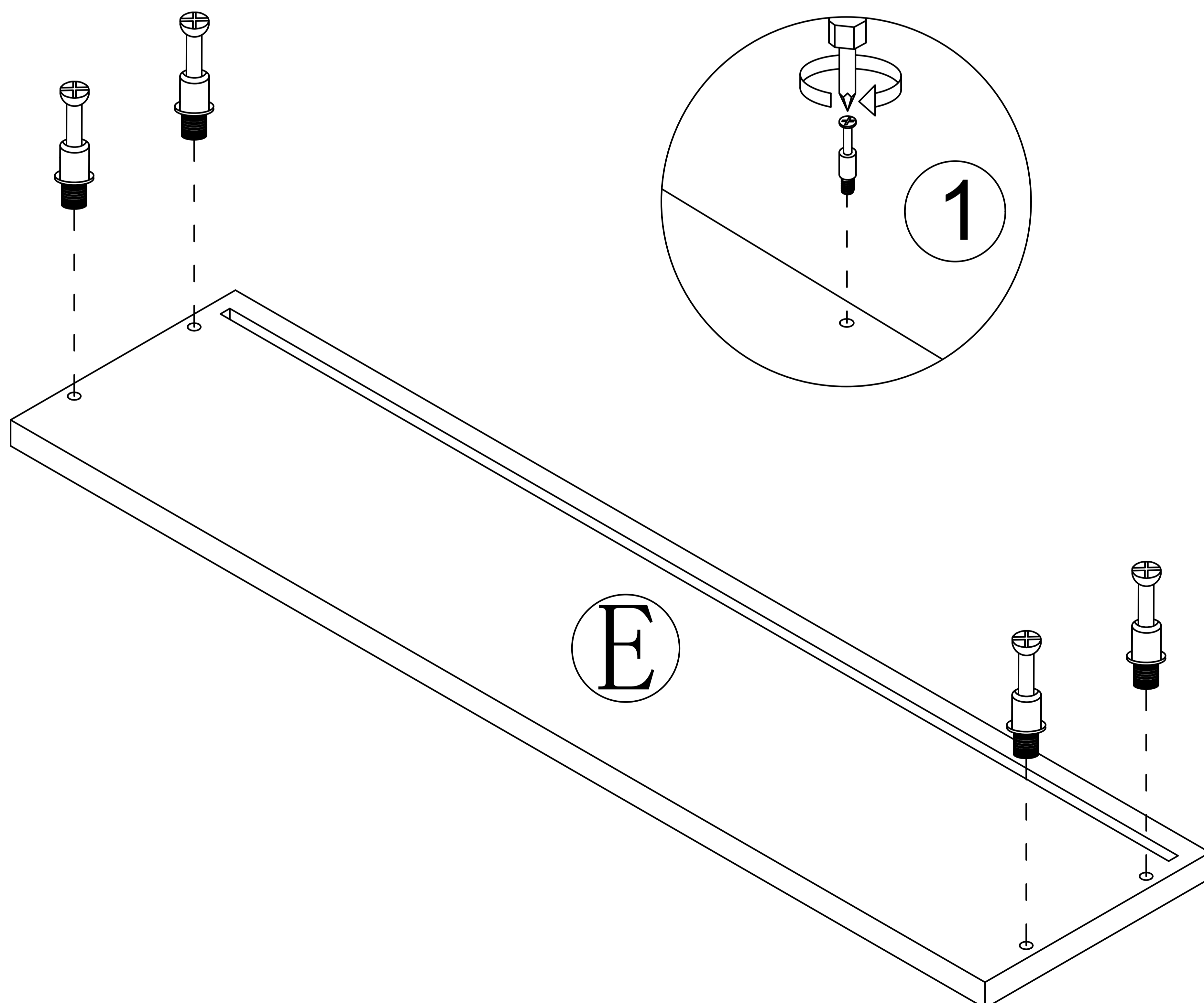


Use a screwdriver to lock in the direction of the "+" sign

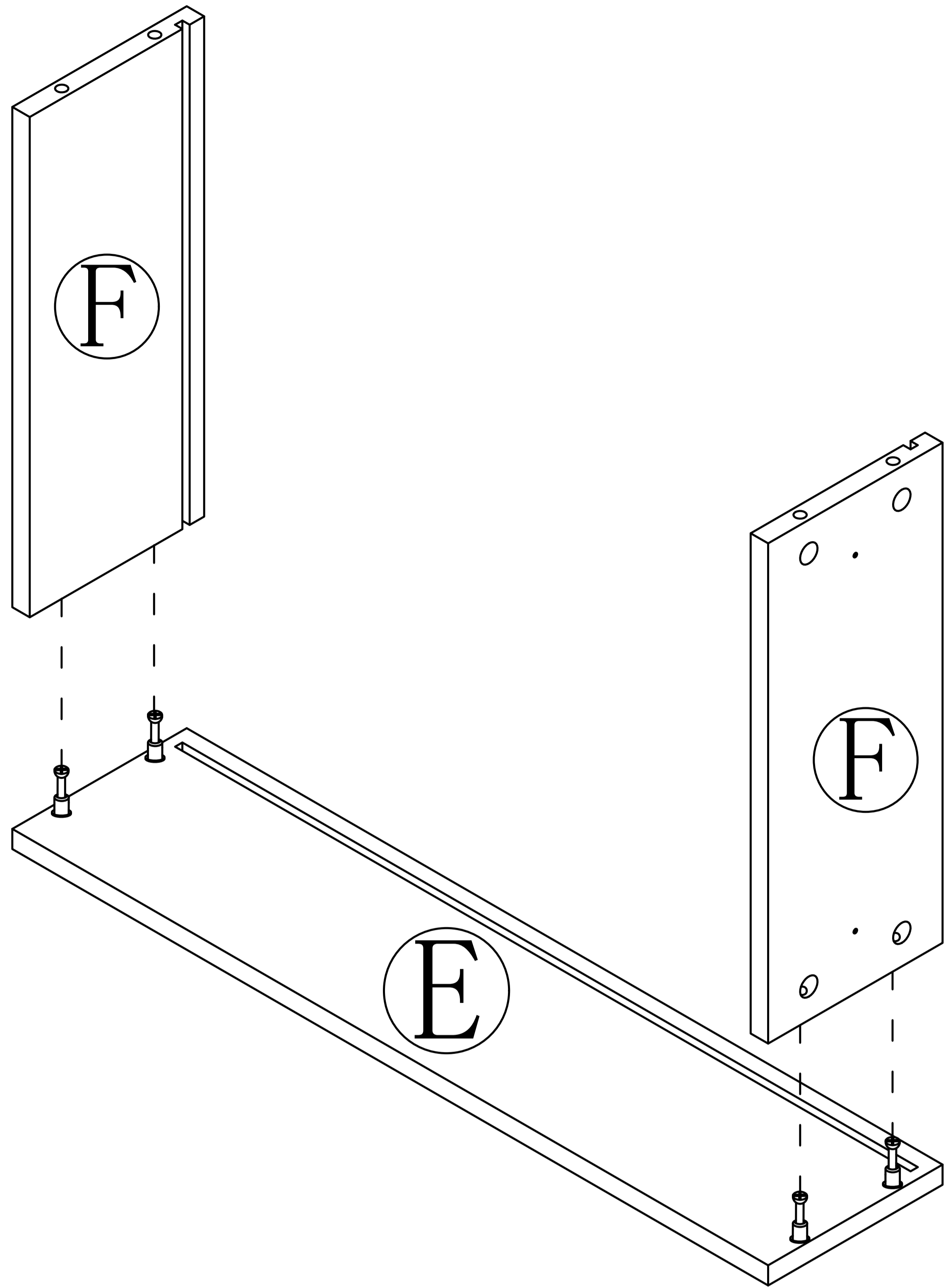


Disassemble along the direction of "-" sign

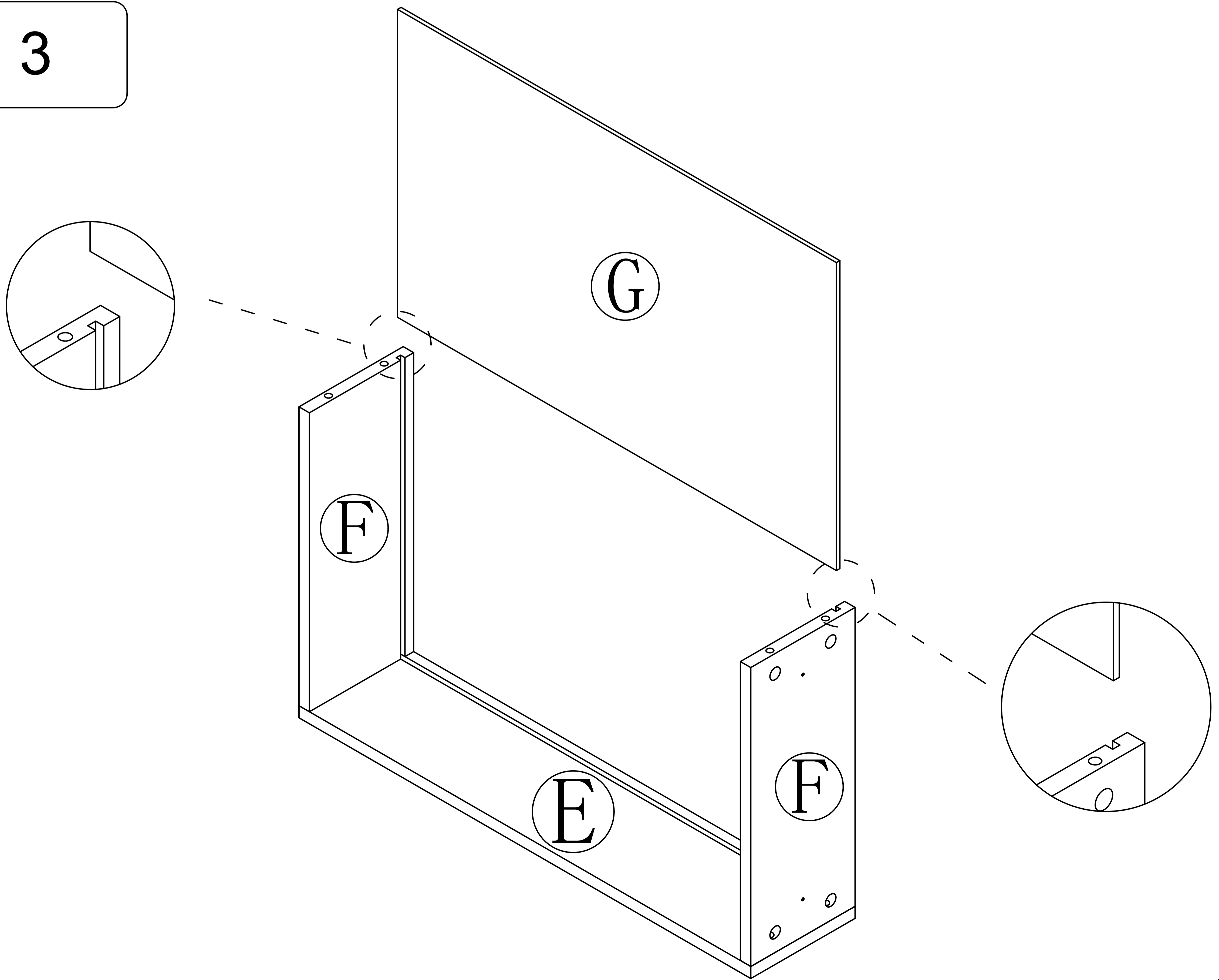
Step 1



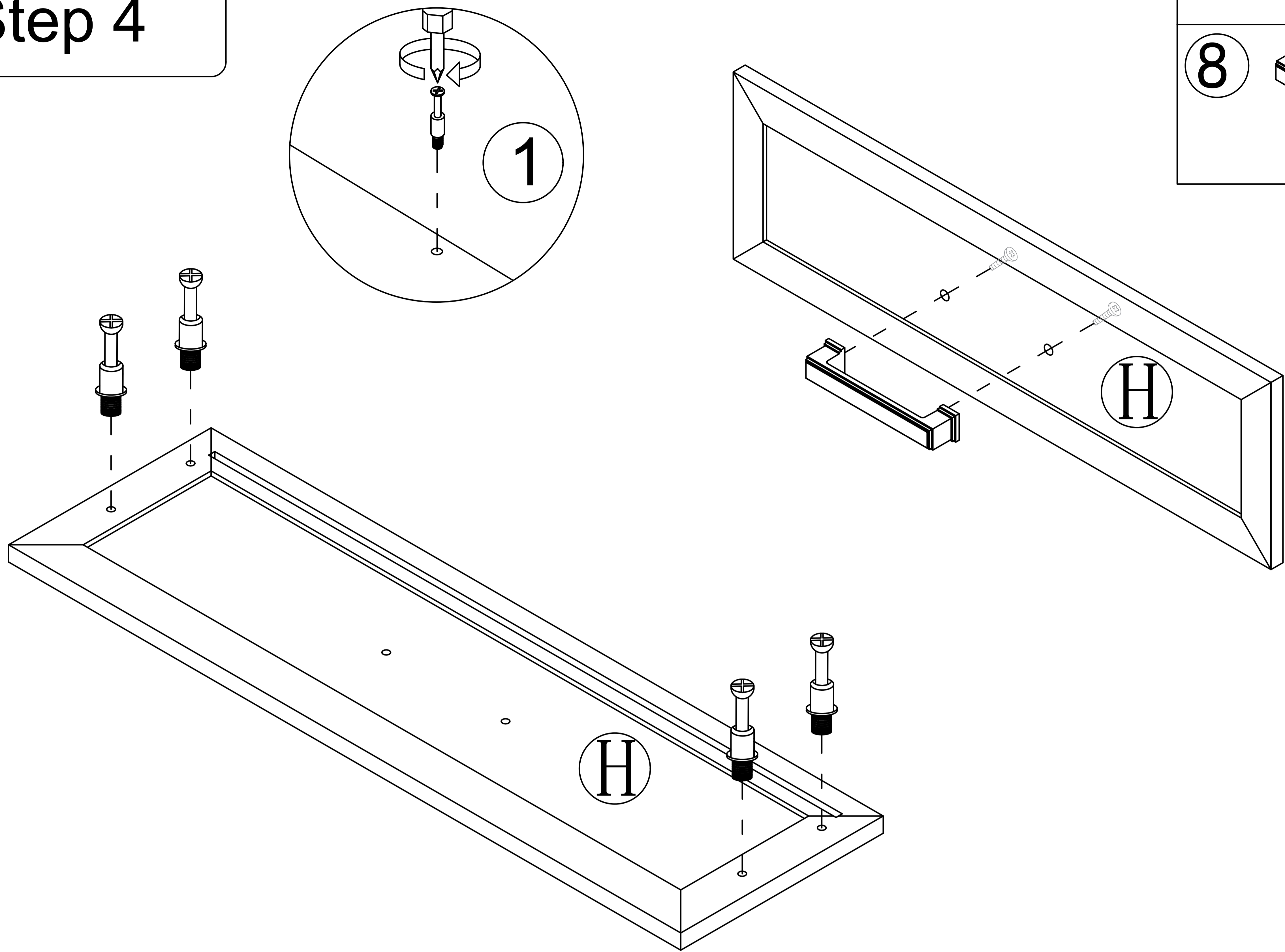
Step 2

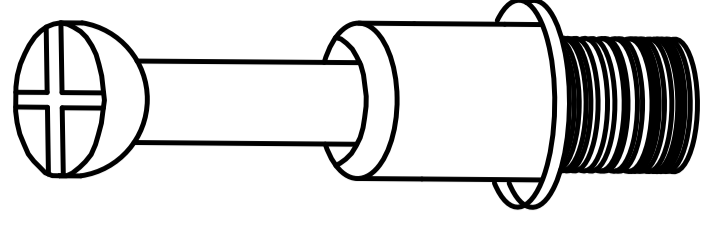
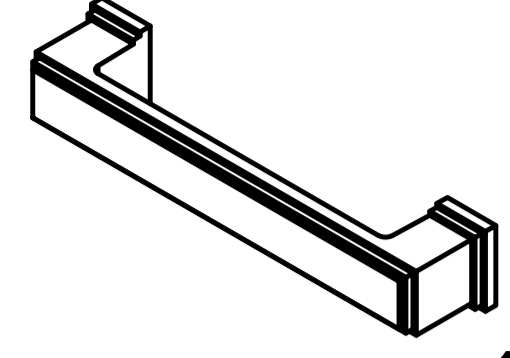
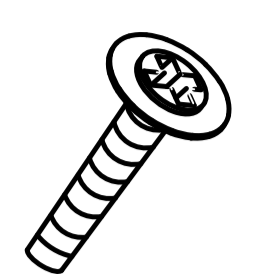


Step 3

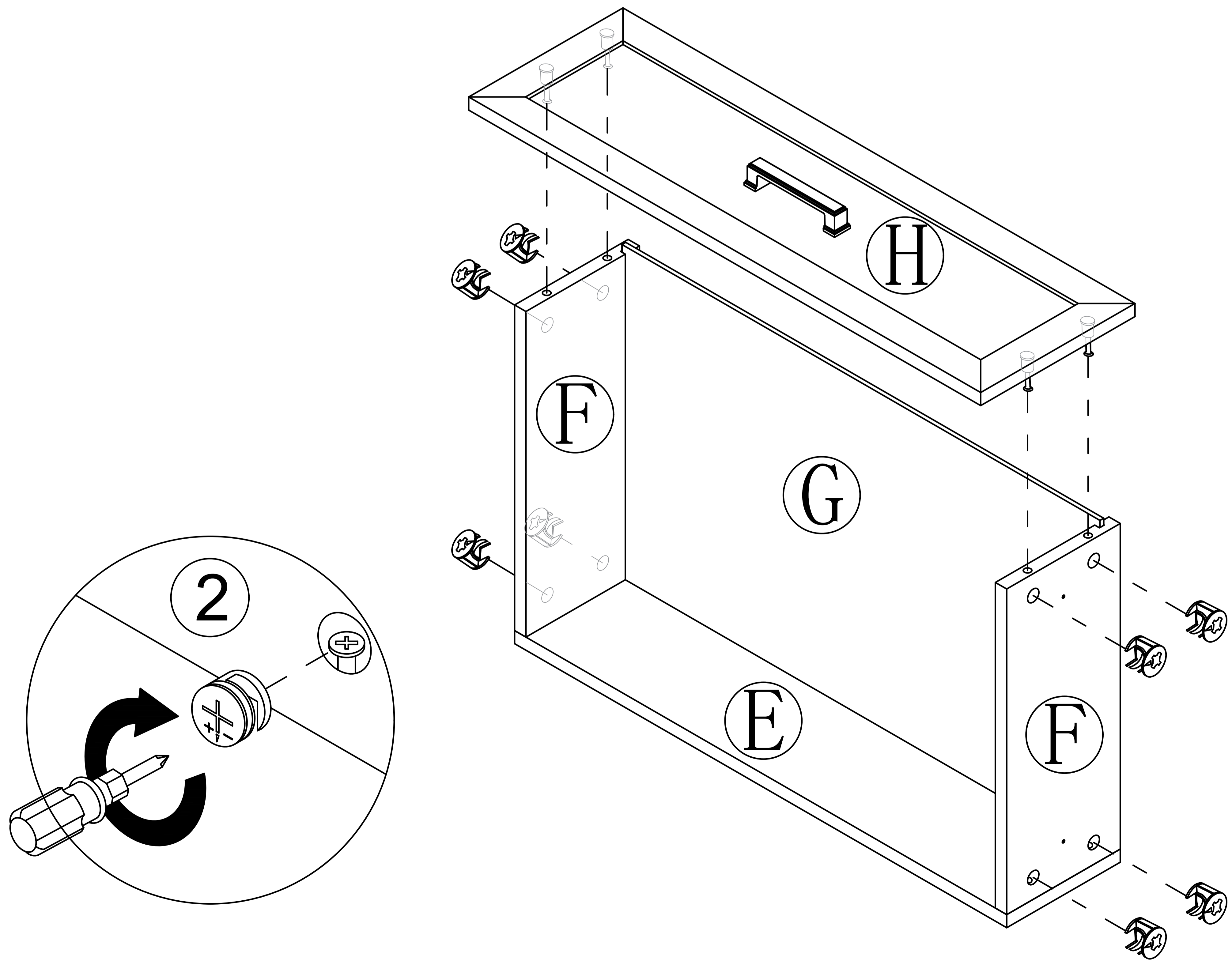


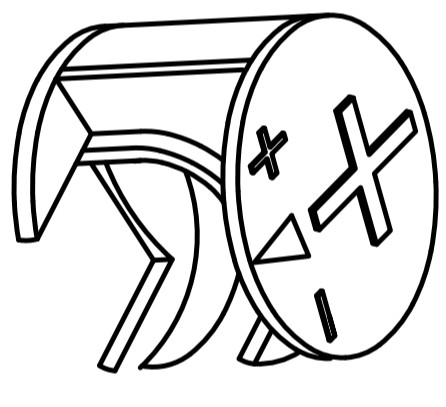
Step 4

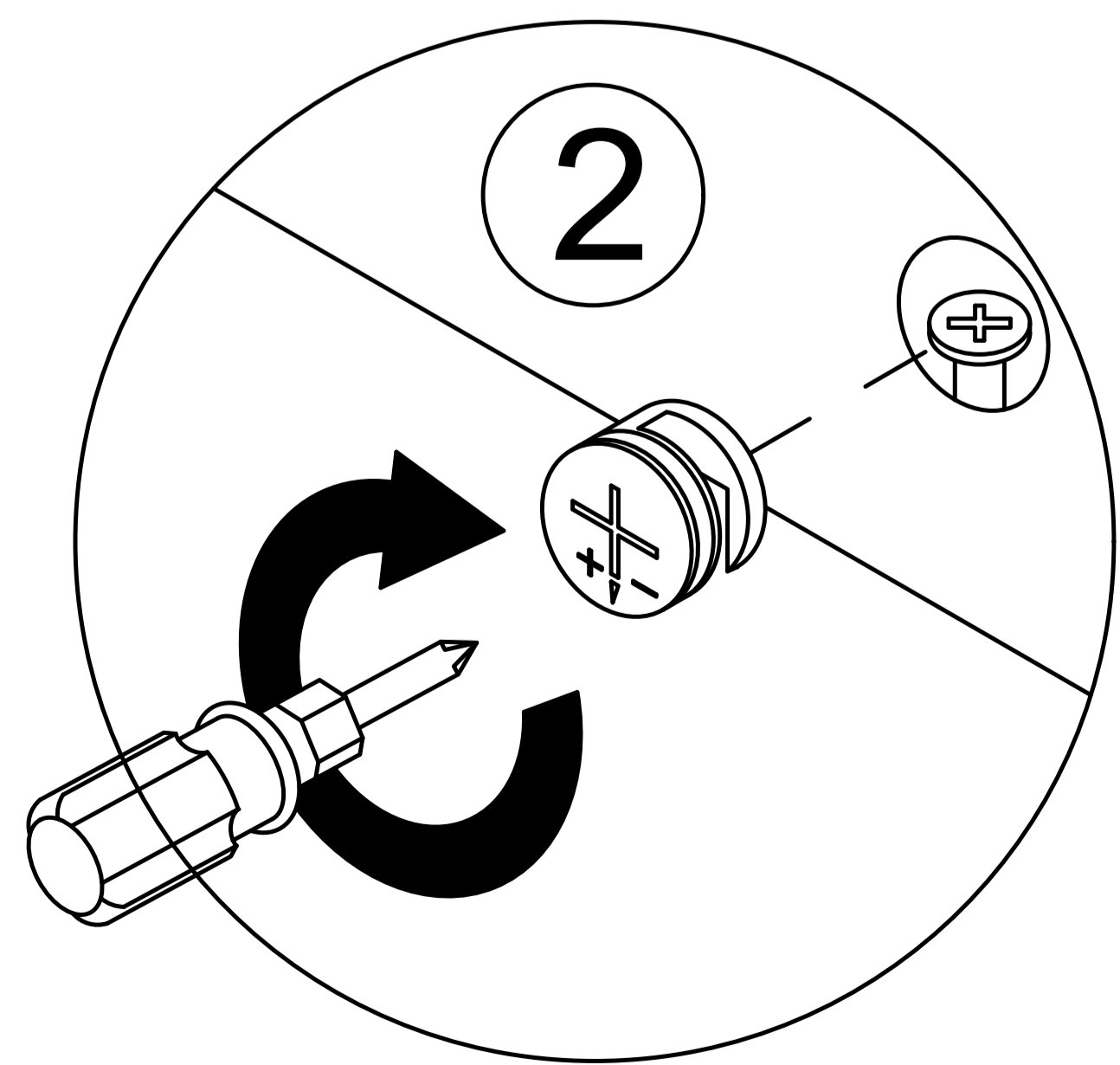


- ①  x4
- ⑧  x1  x2

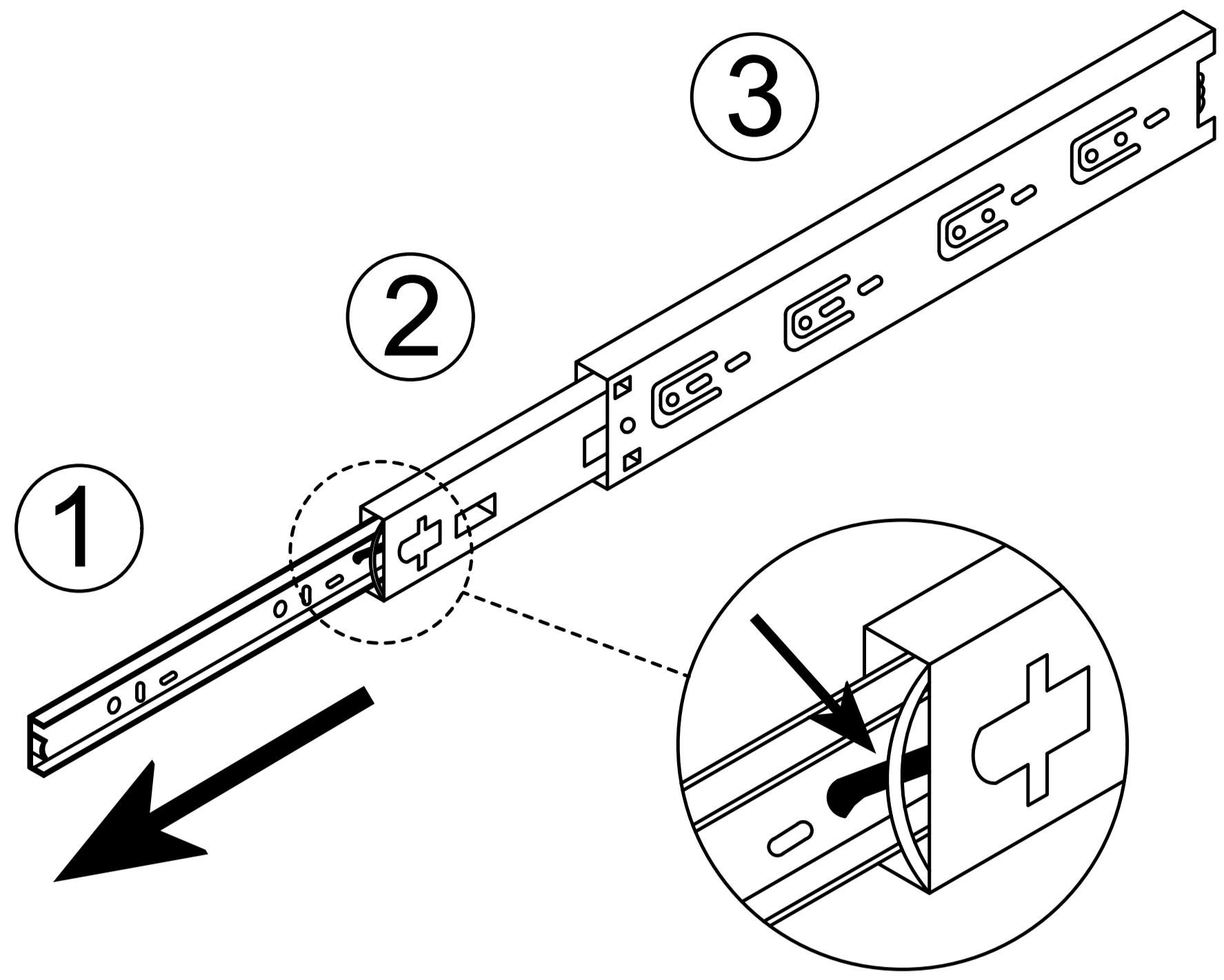
Step 5



- ②  x8

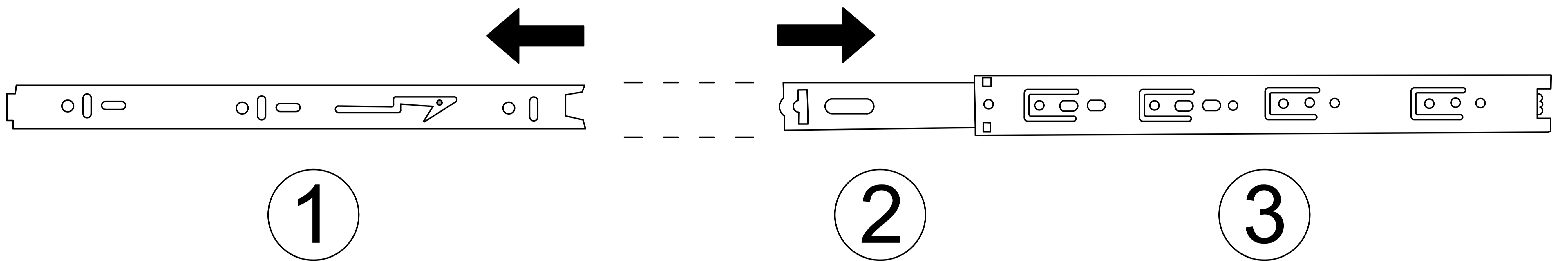
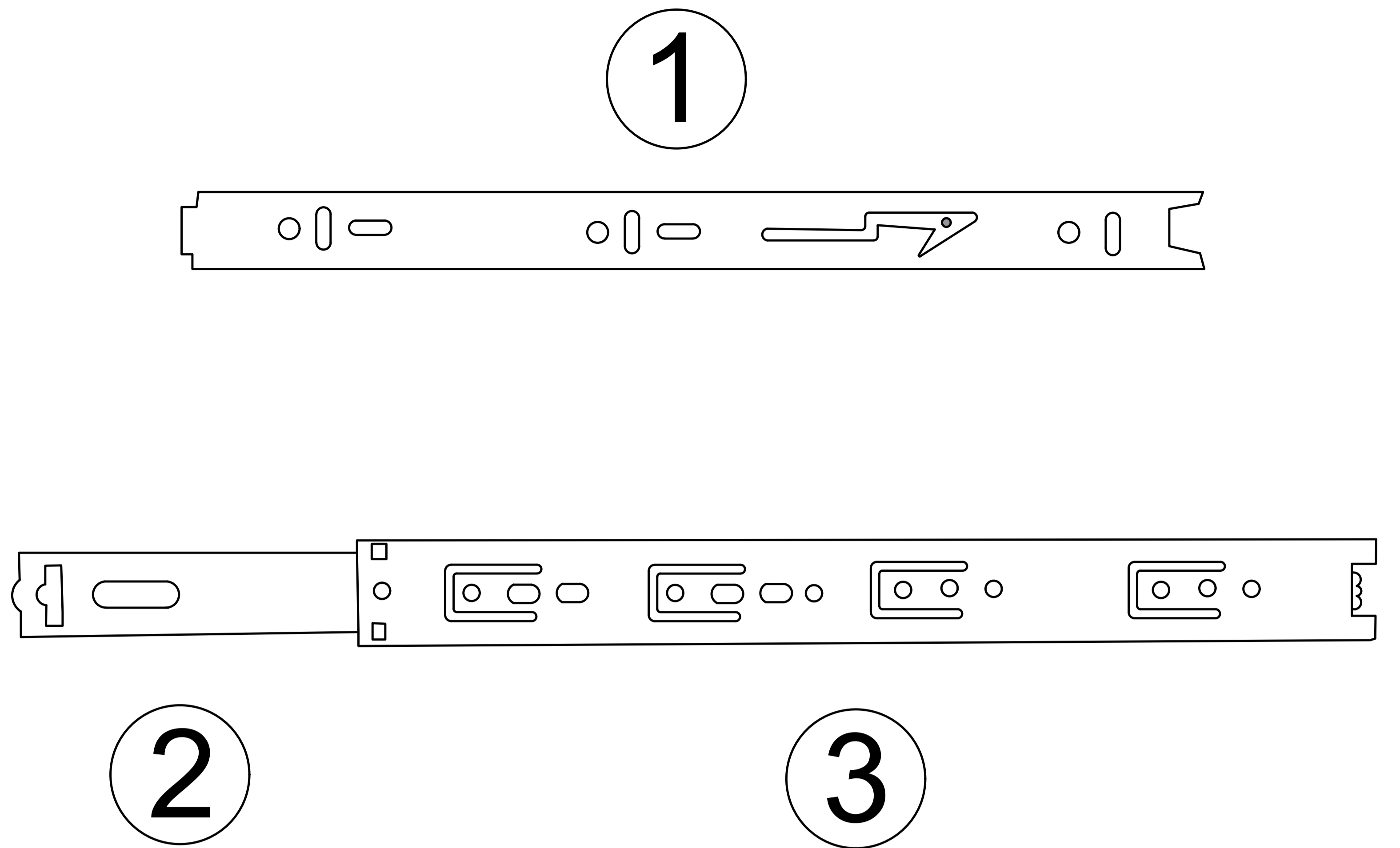


Drawer rail breakdown diagram

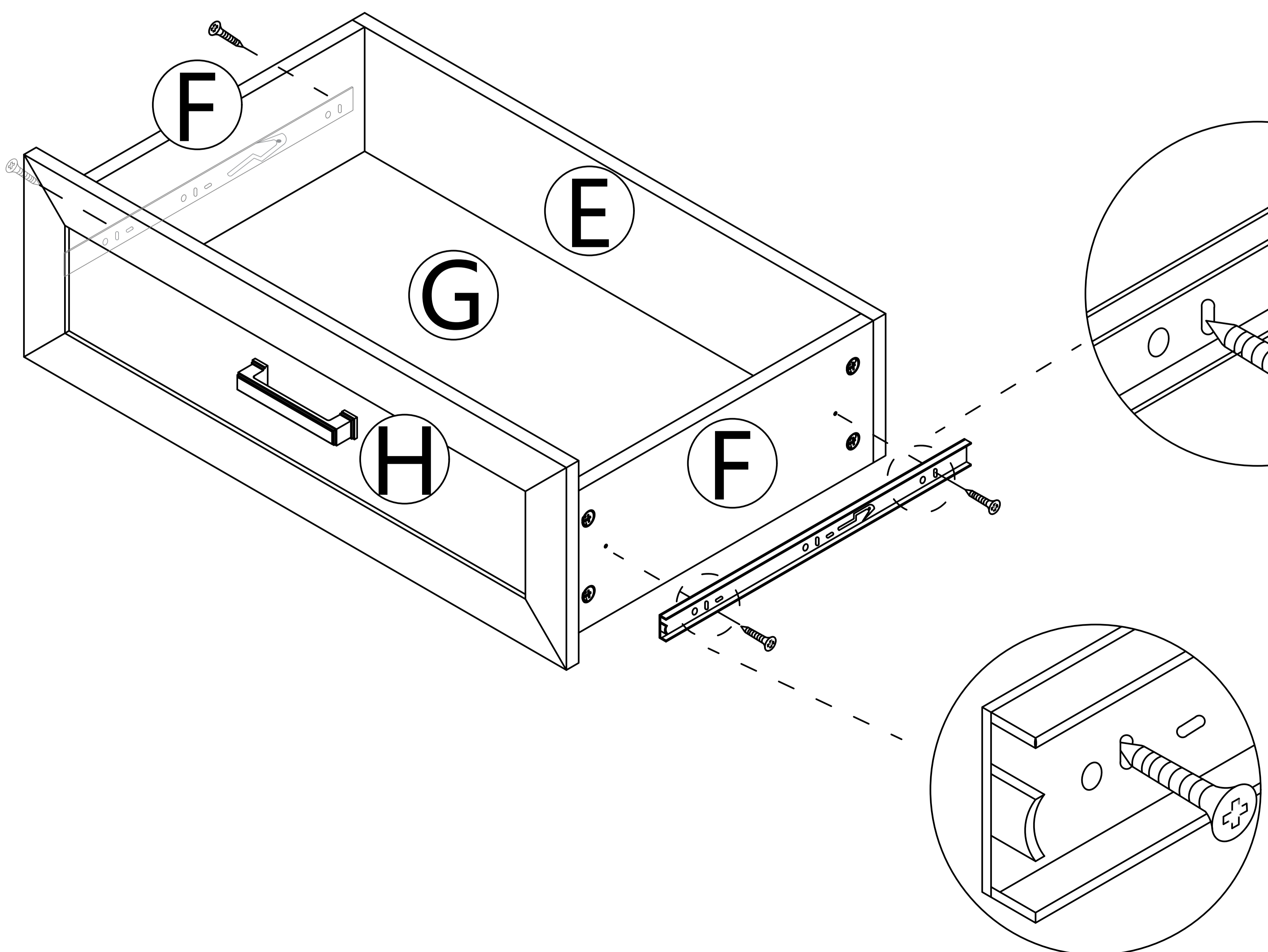
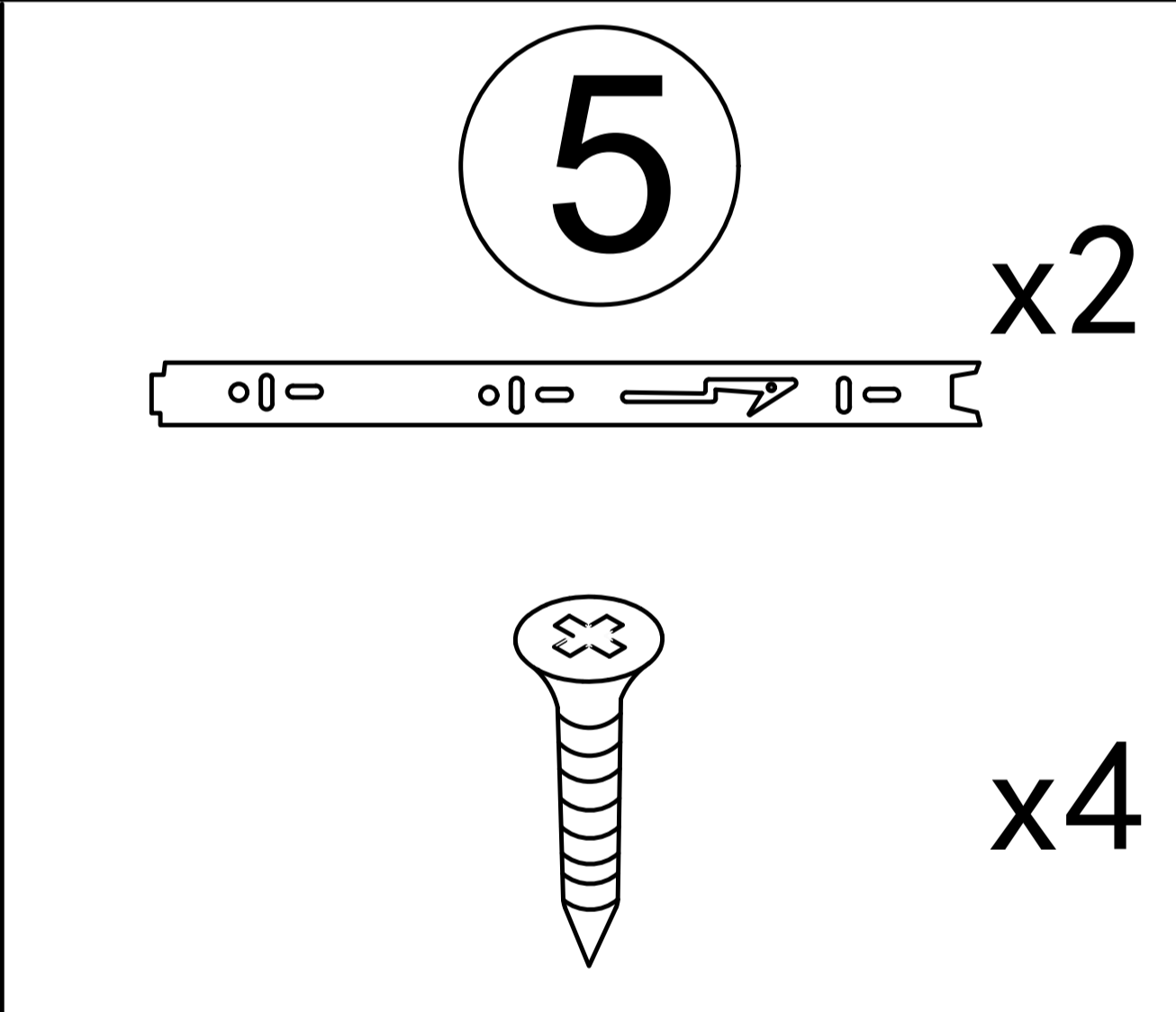
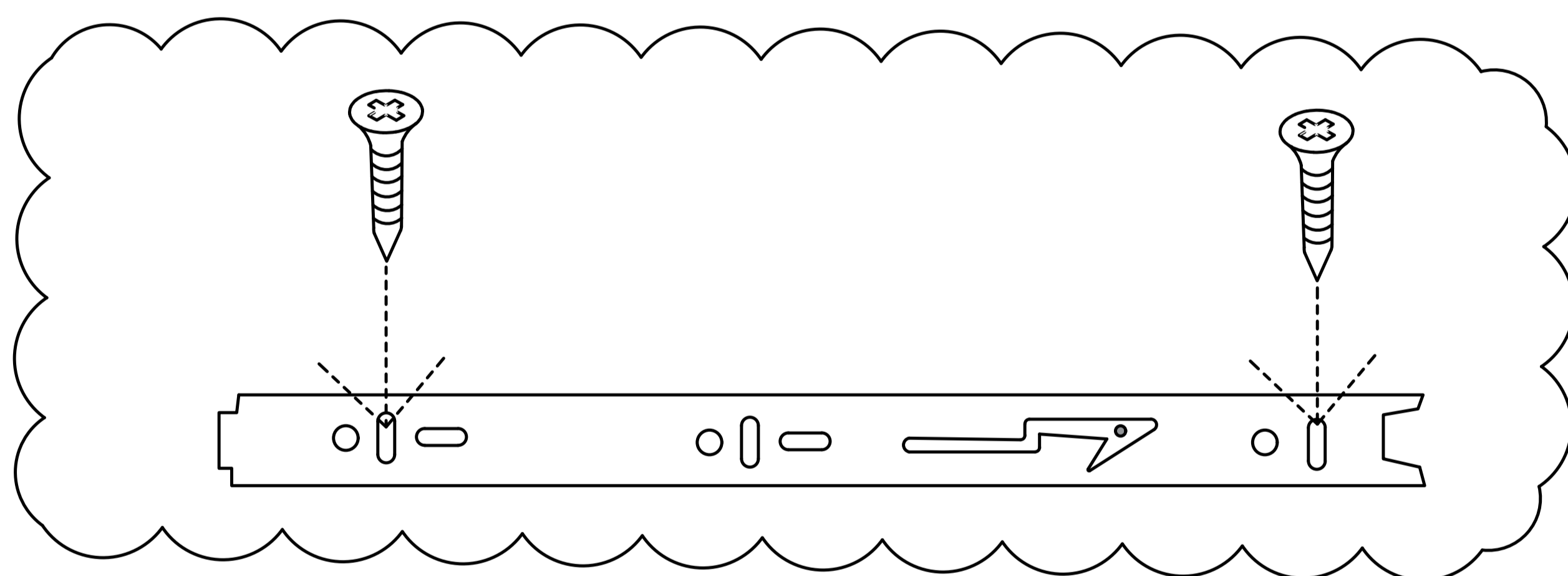


Step 1 : Pull the rails apart

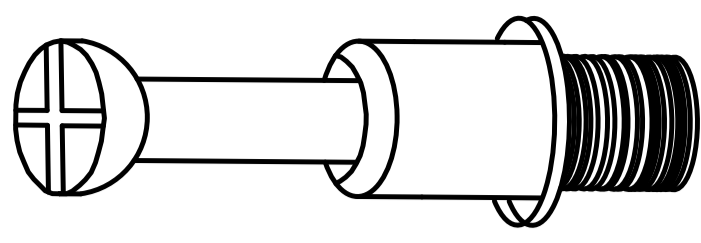
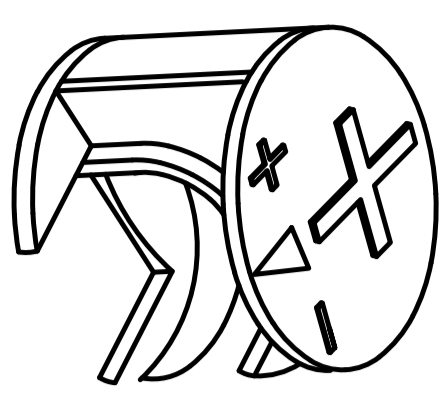
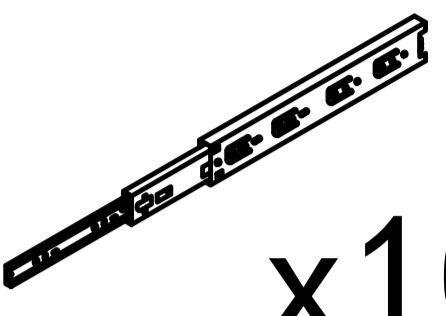

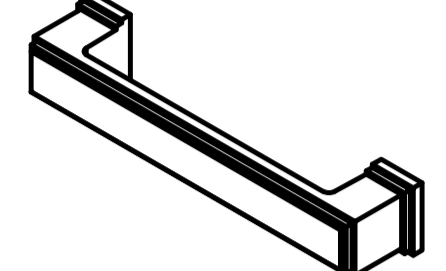

Step 2 : Push the nylon buckle outward ①

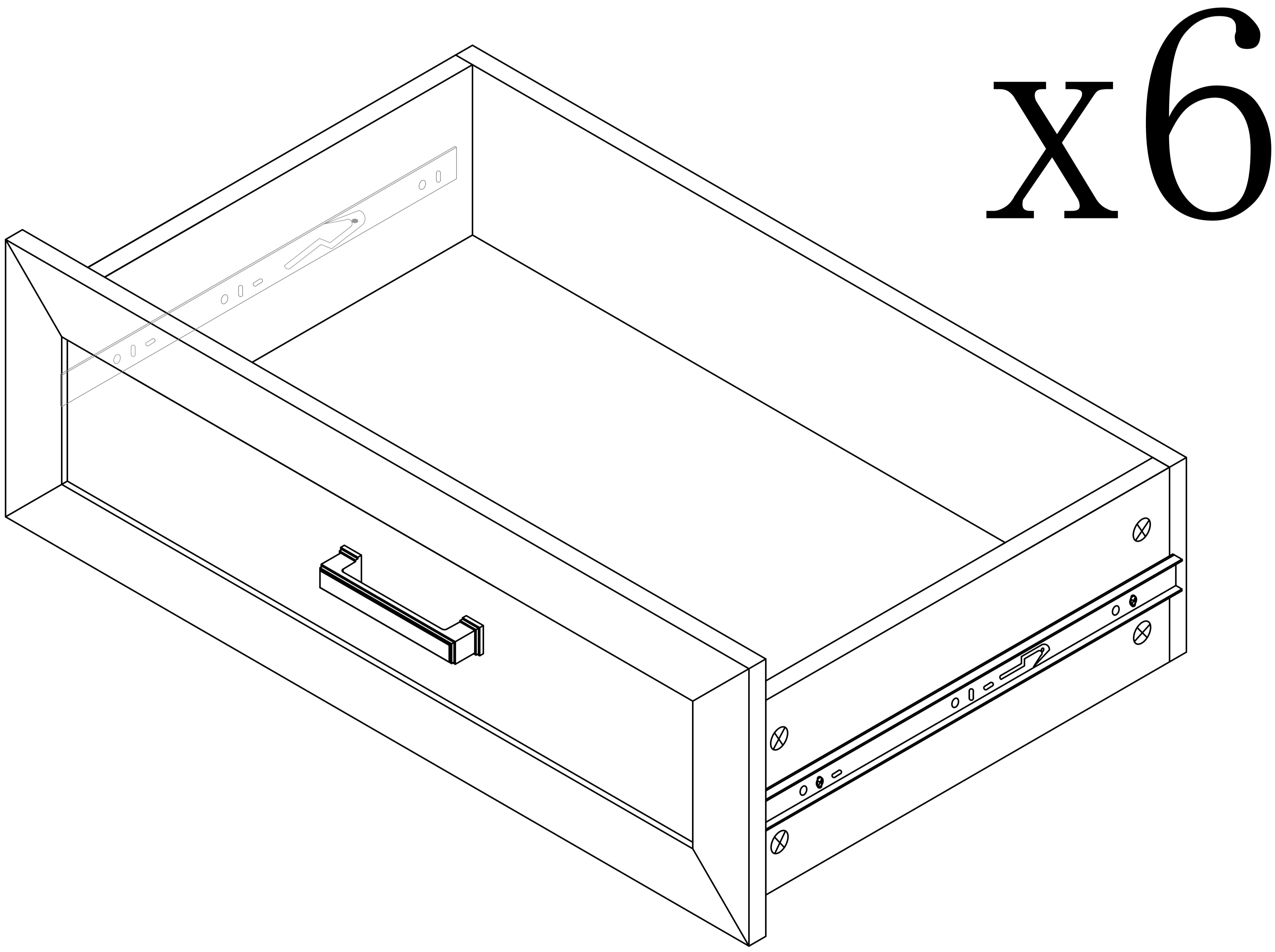


Step 6



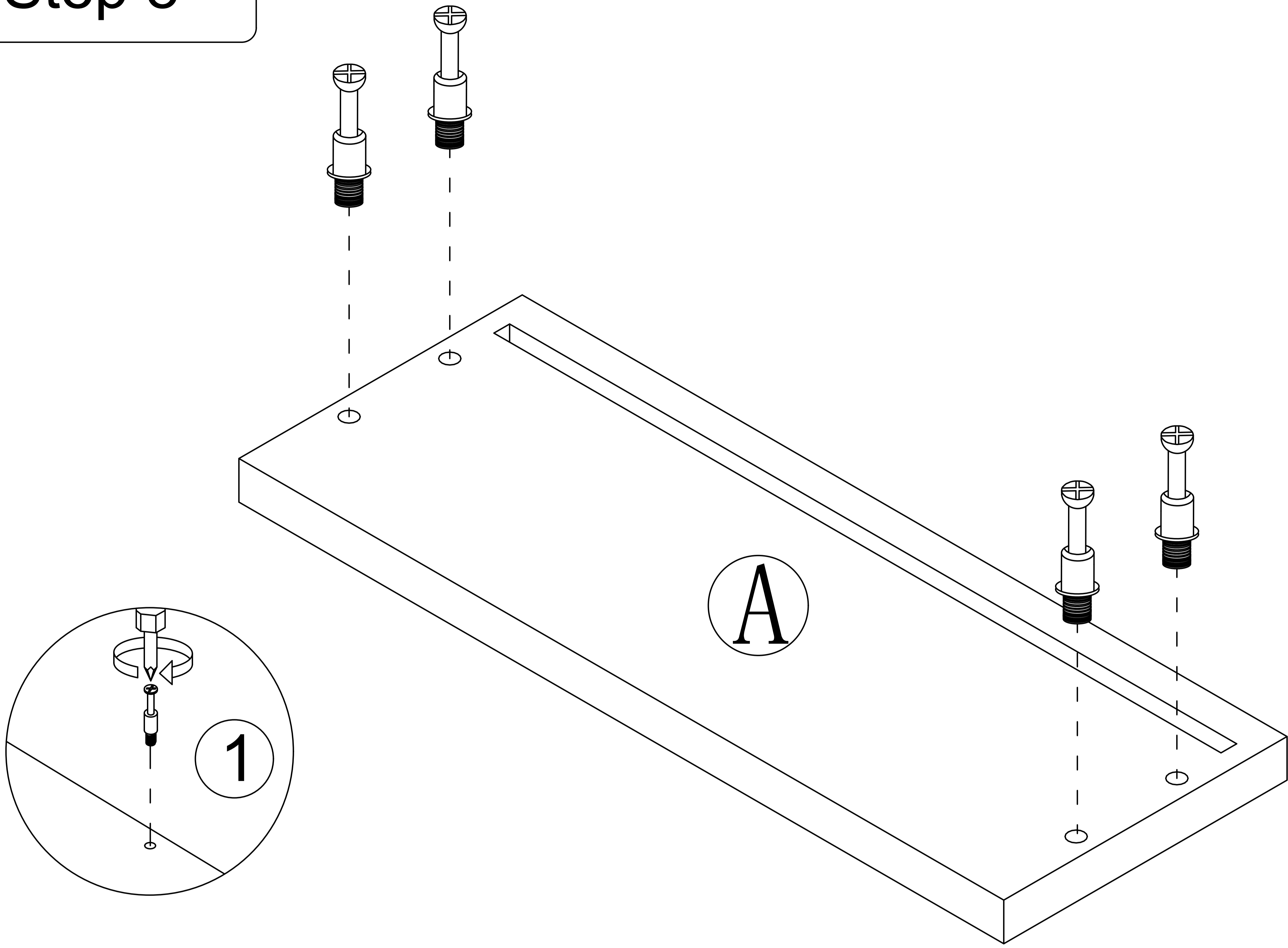
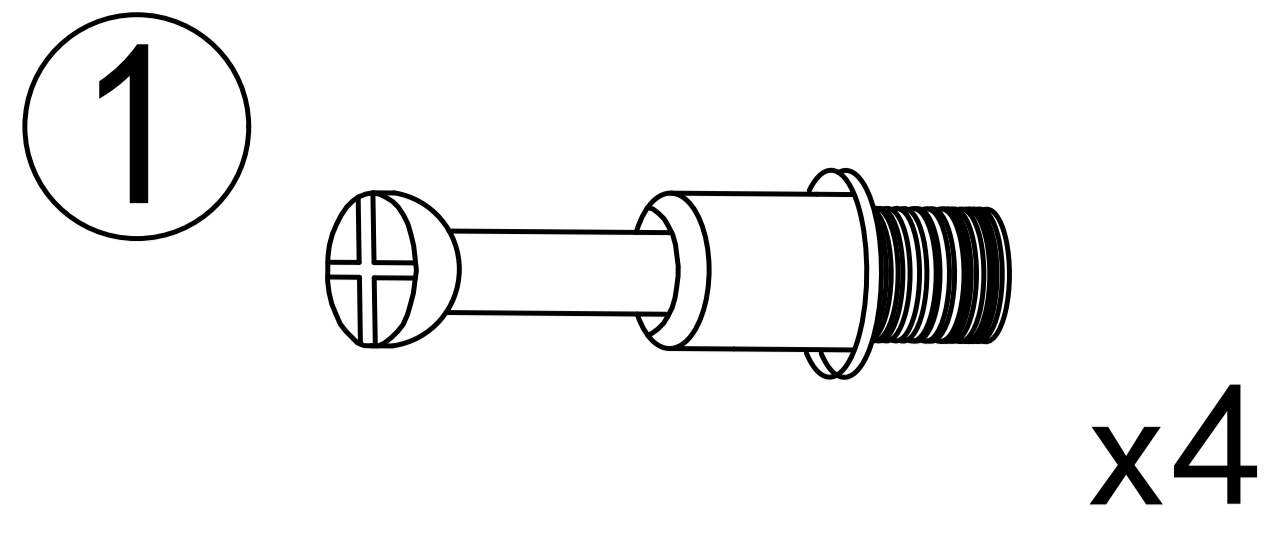
Step 7

- ①  x40
- ②  x40
- ⑤  x10  x20
- ⑧  x5  x10

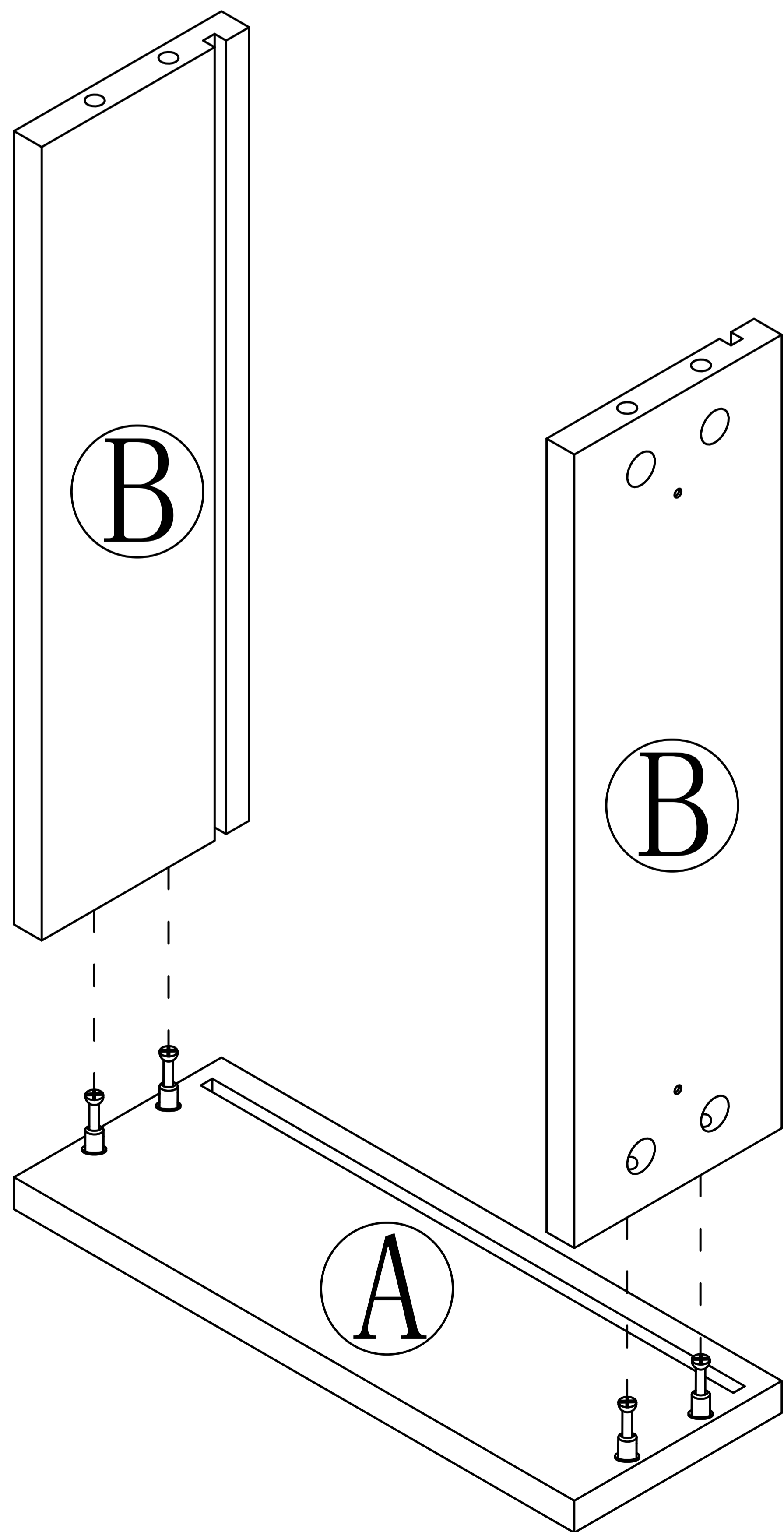


Repeat the drawer installation steps

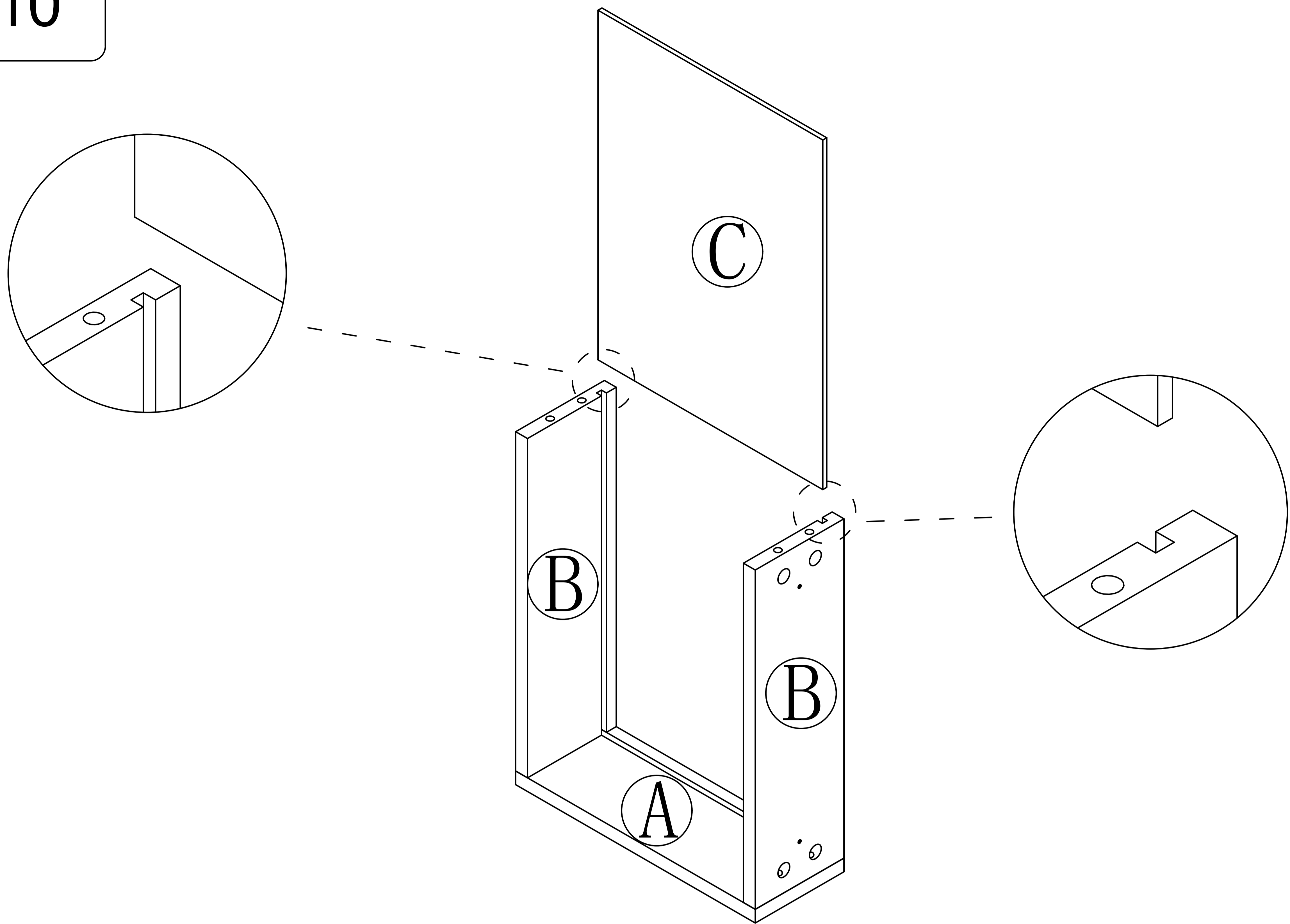
Step 8



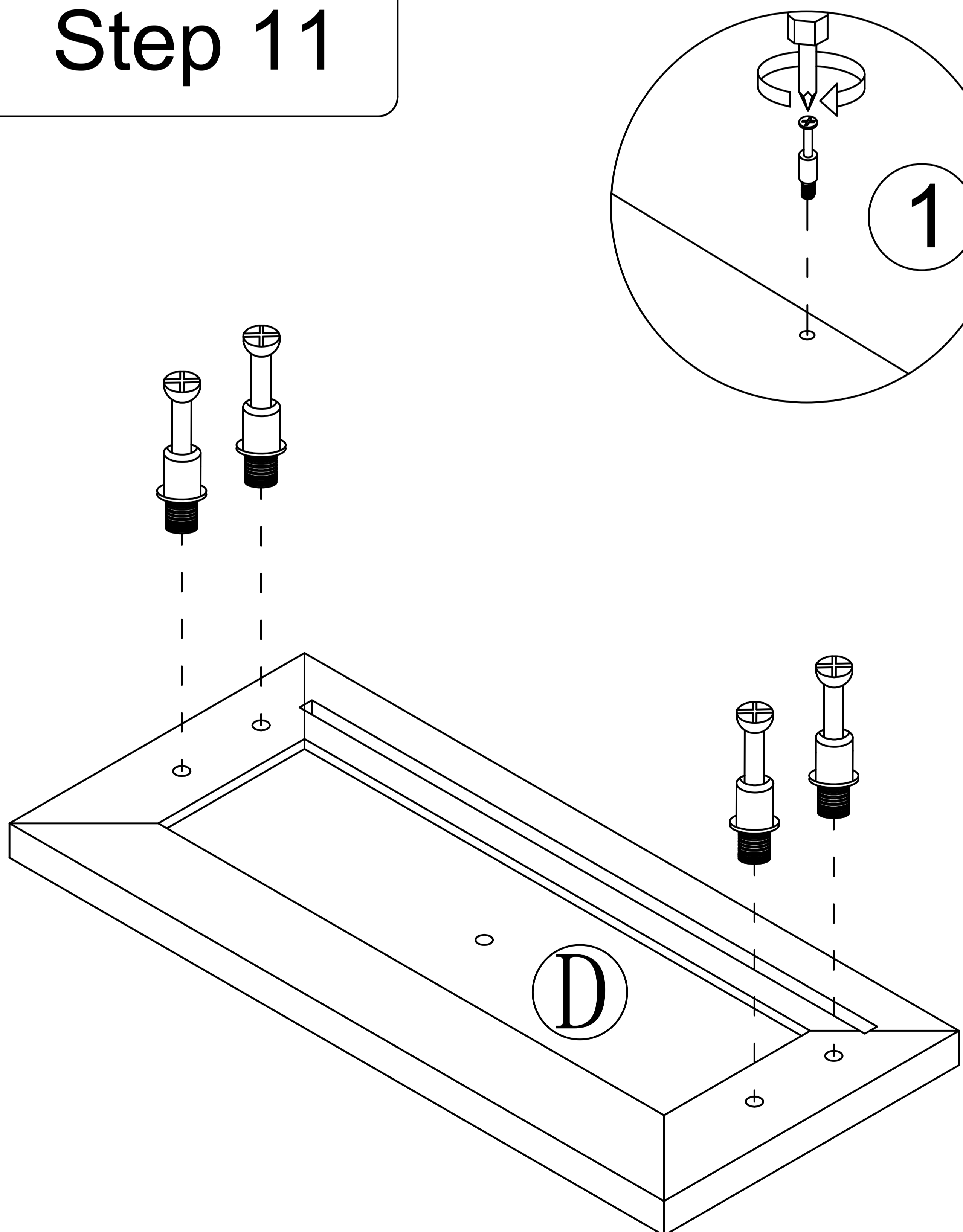
Step 9

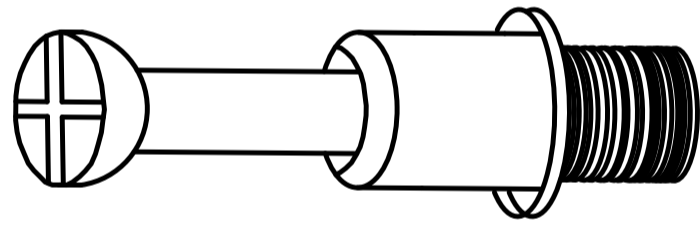
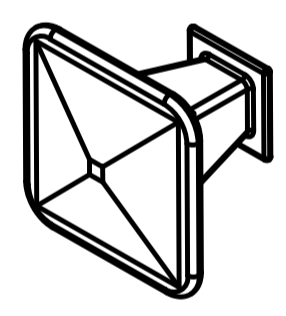



Step 10



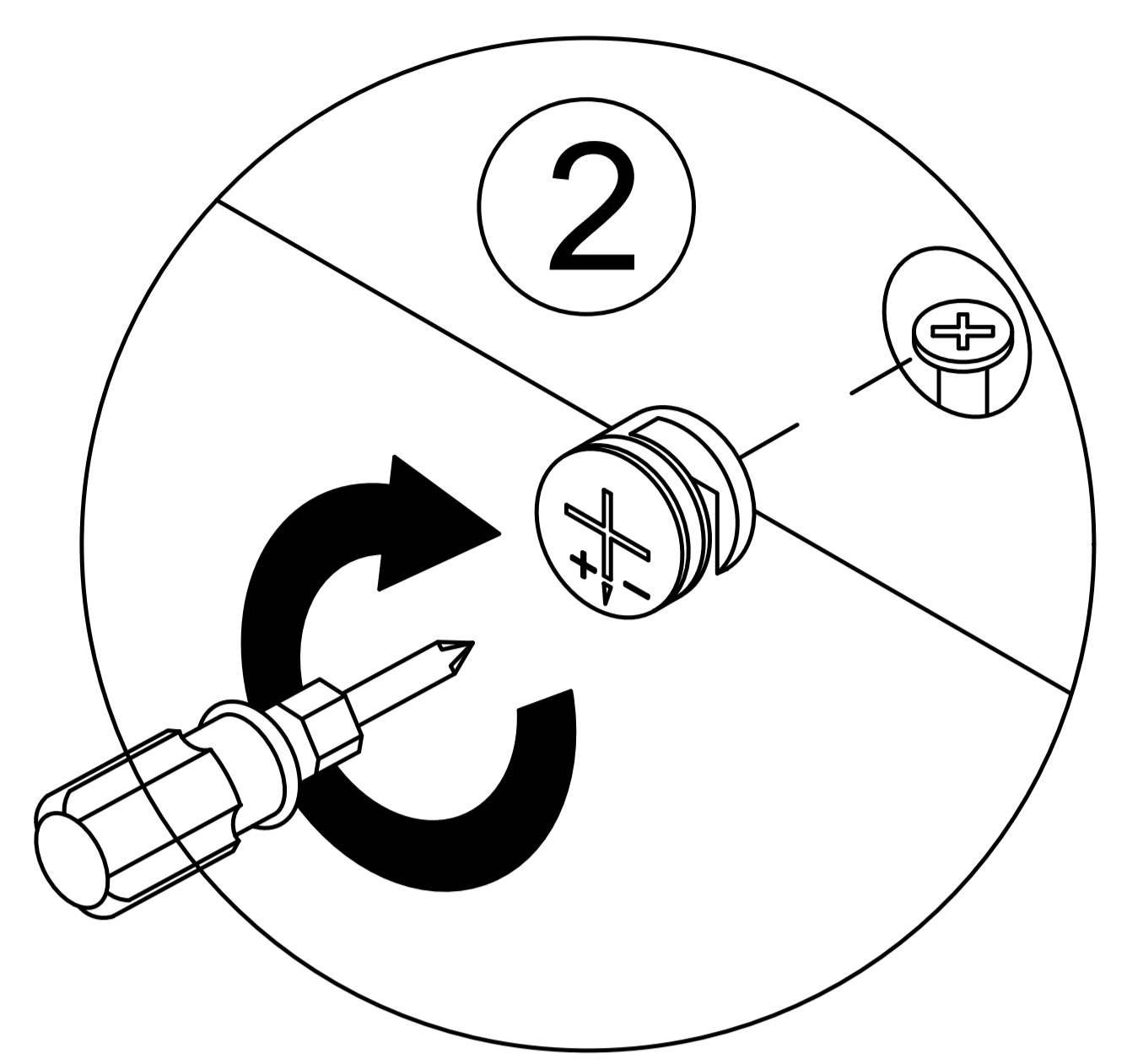
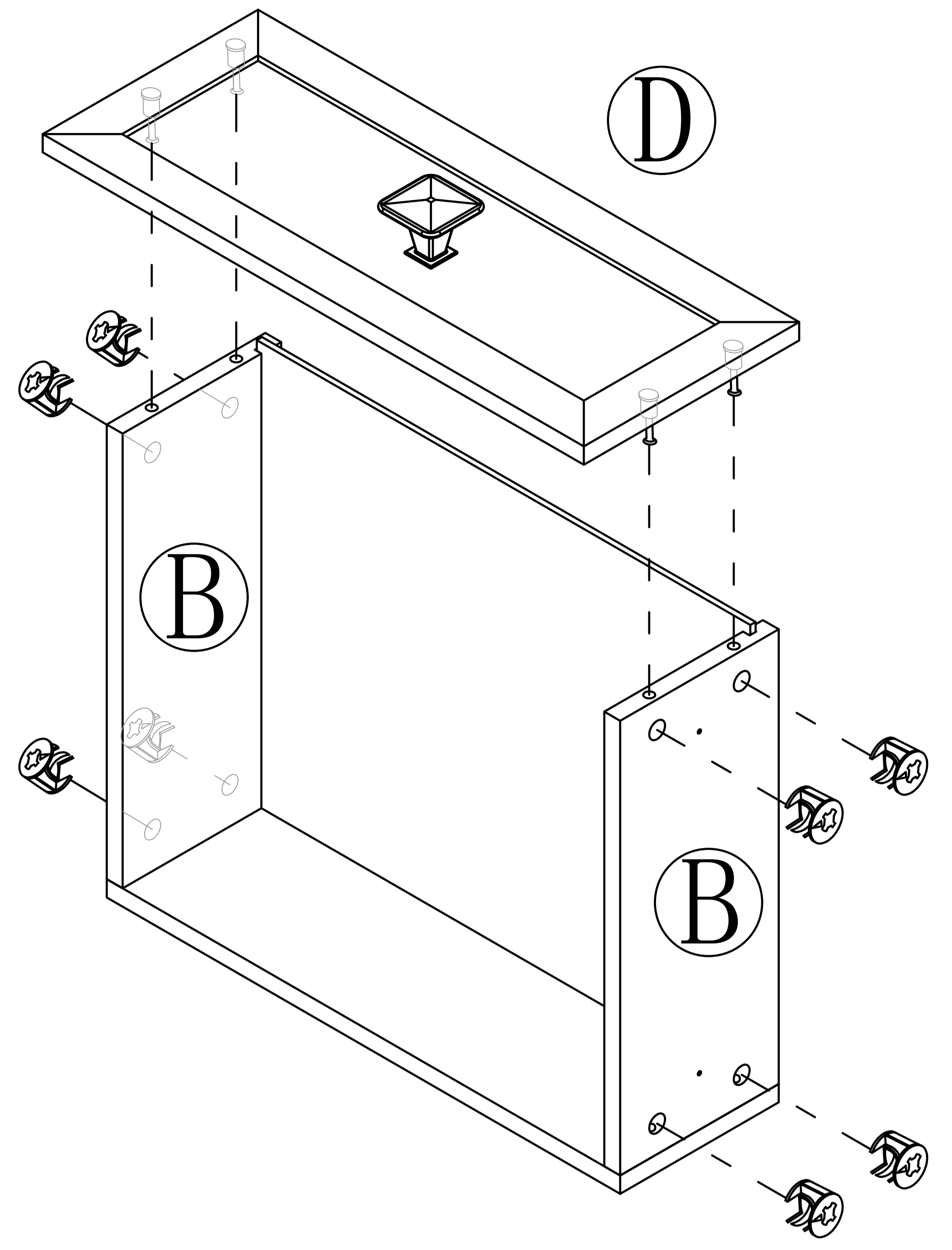
Step 11



- | | | |
|---|---|----|
| 1 |  | x4 |
| 4 |  | x1 |
| |  | x1 |

Step 12

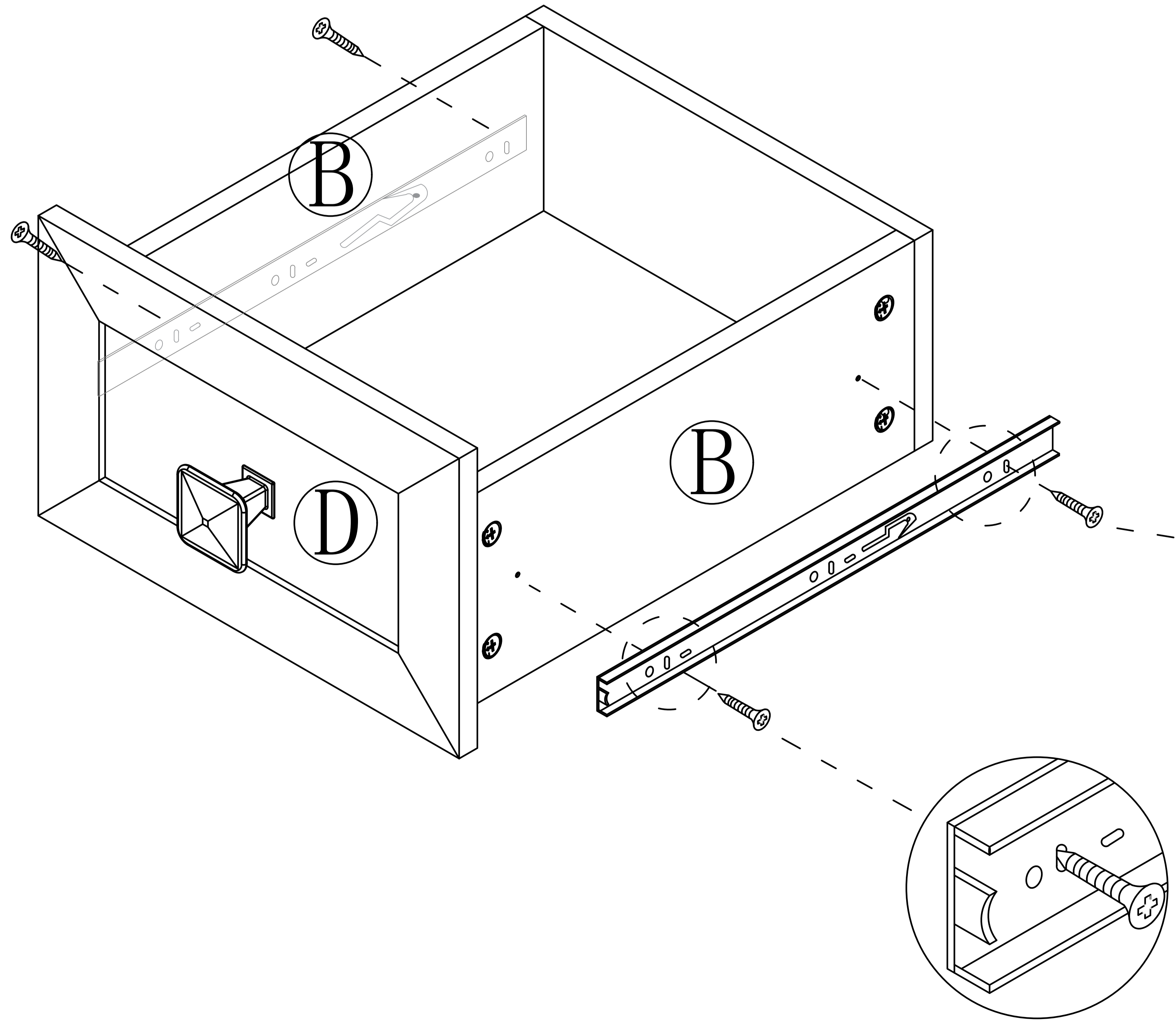
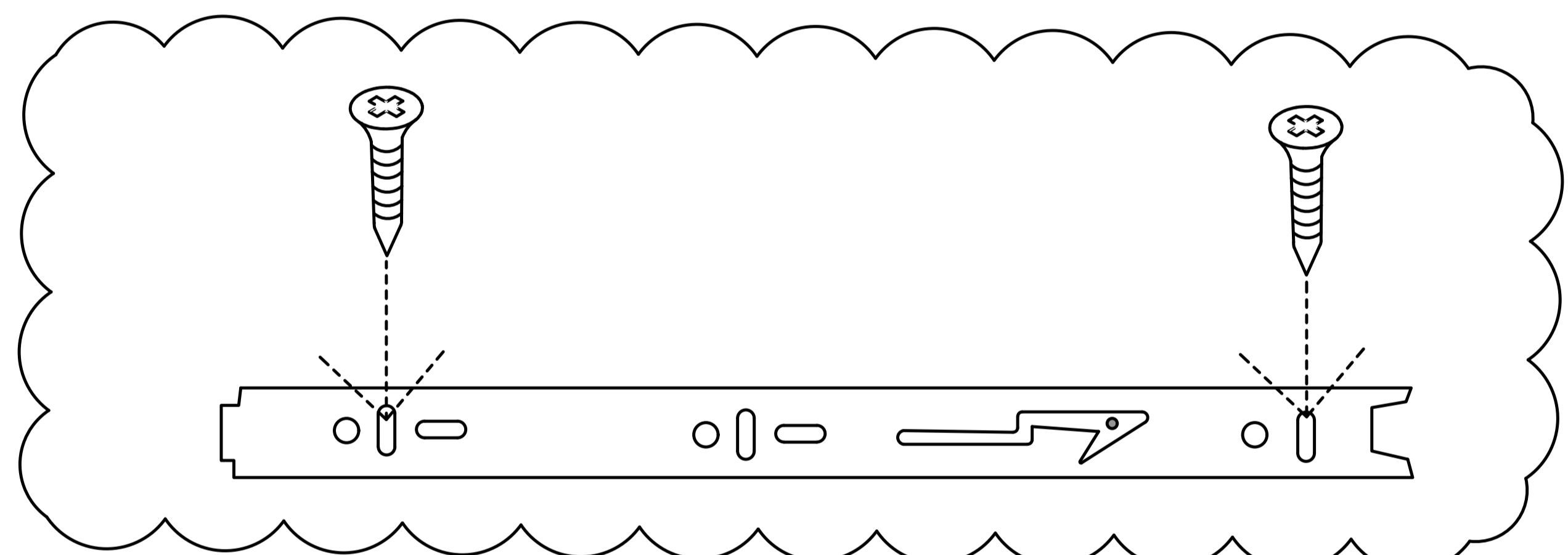
2 x8



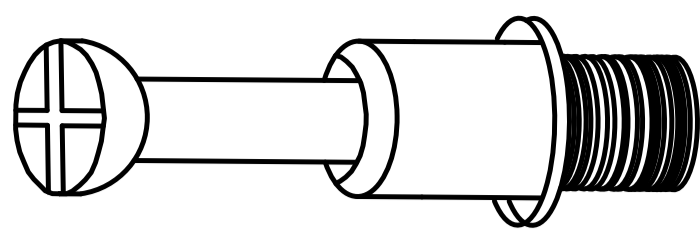
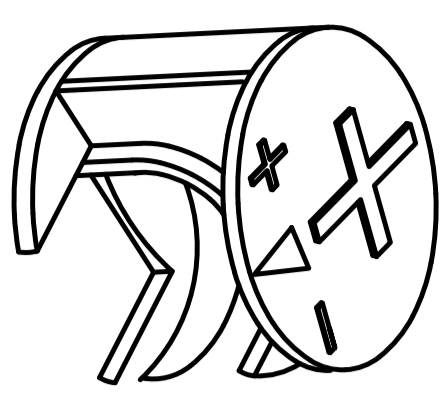
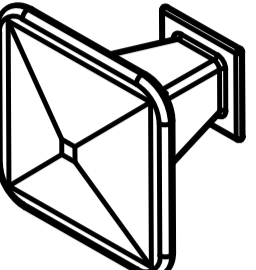

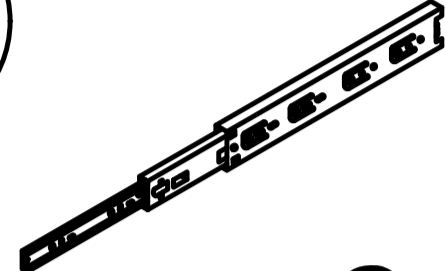
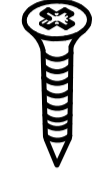
Step 13

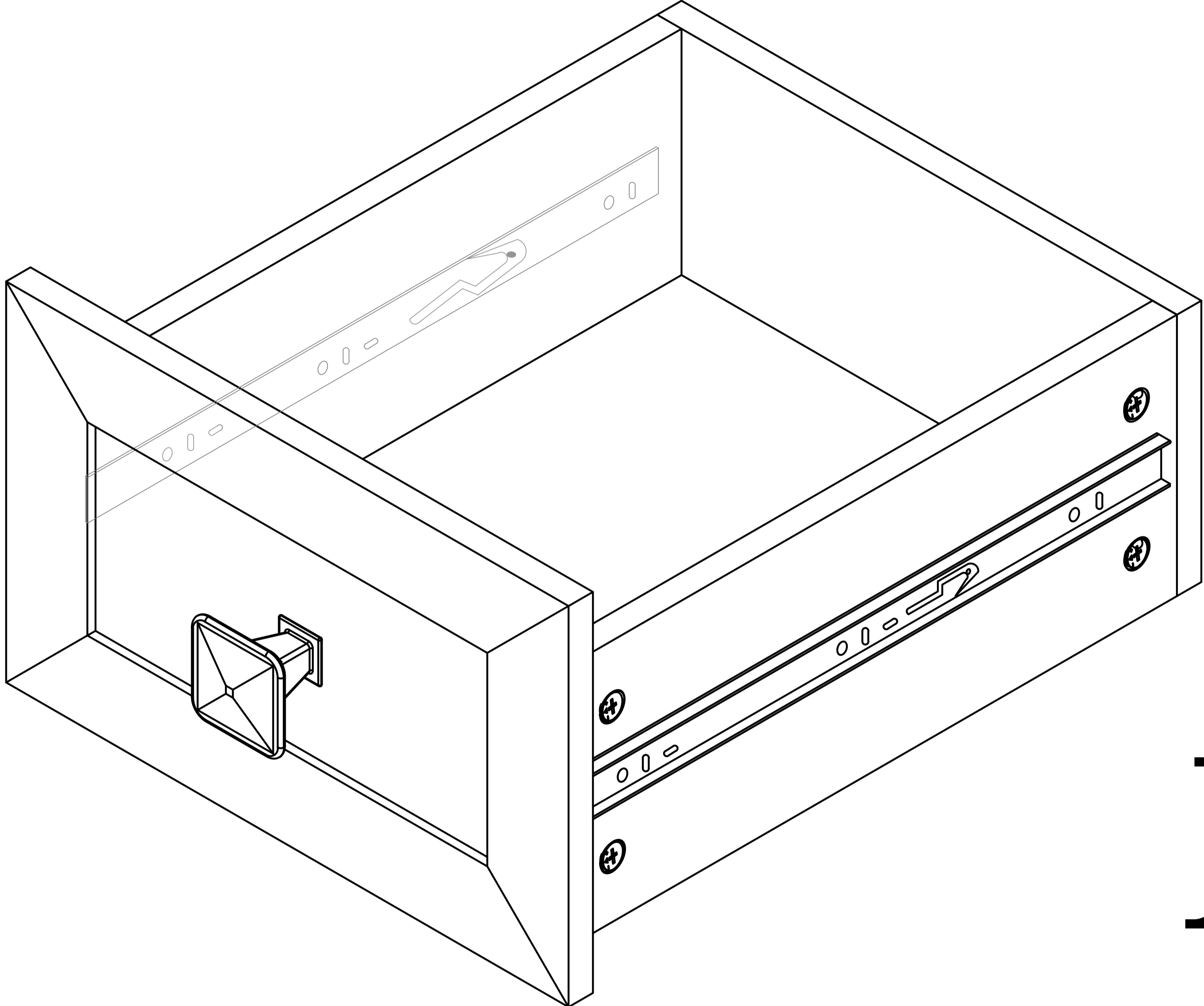
5 x2

x4



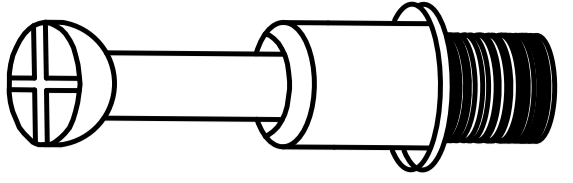
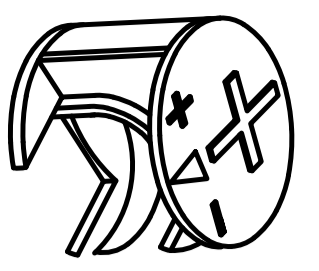
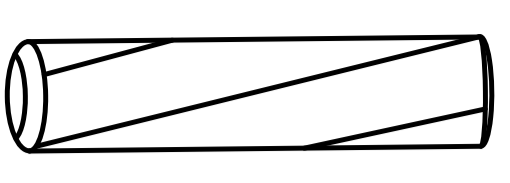
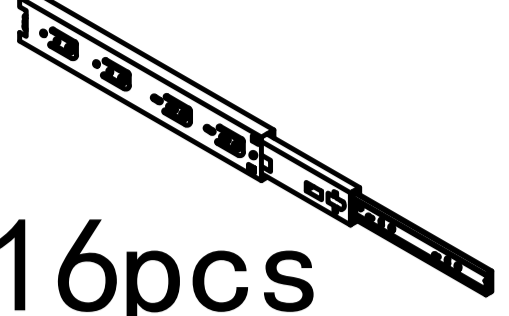

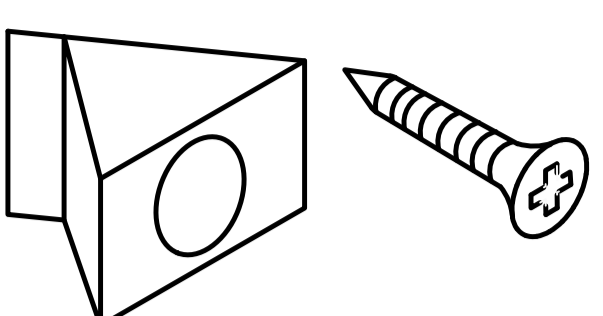
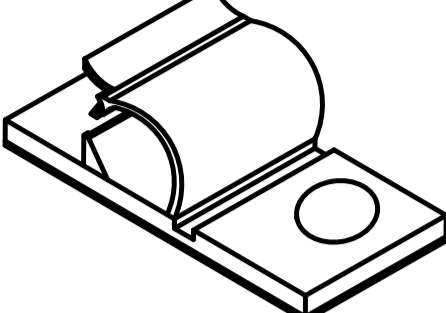
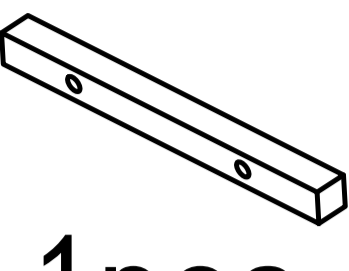
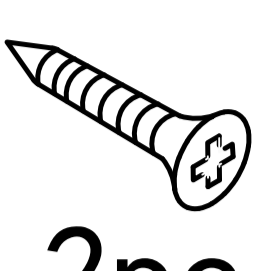
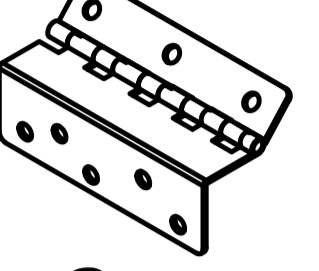
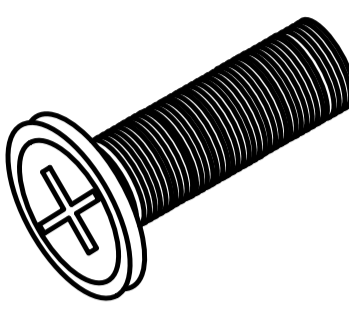
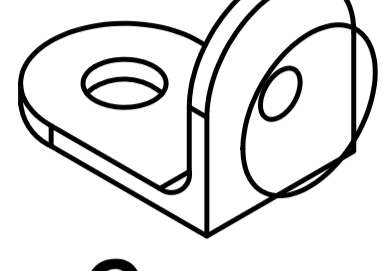
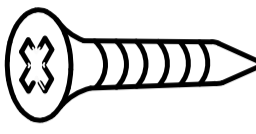
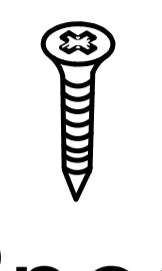
Step 14

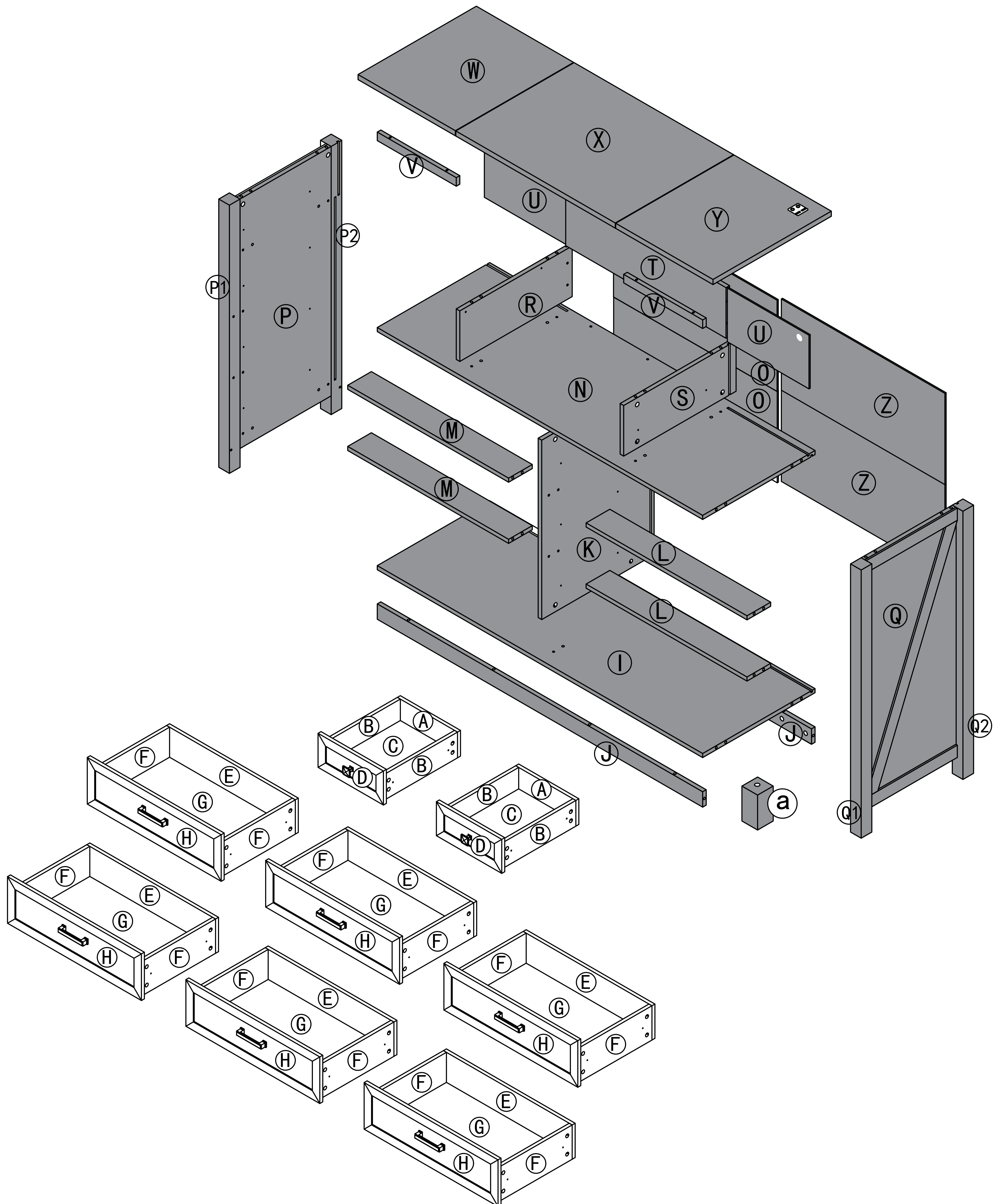
- ①  x8
- ②  x8
- ④  x1  x1
- ⑤  x2  x4



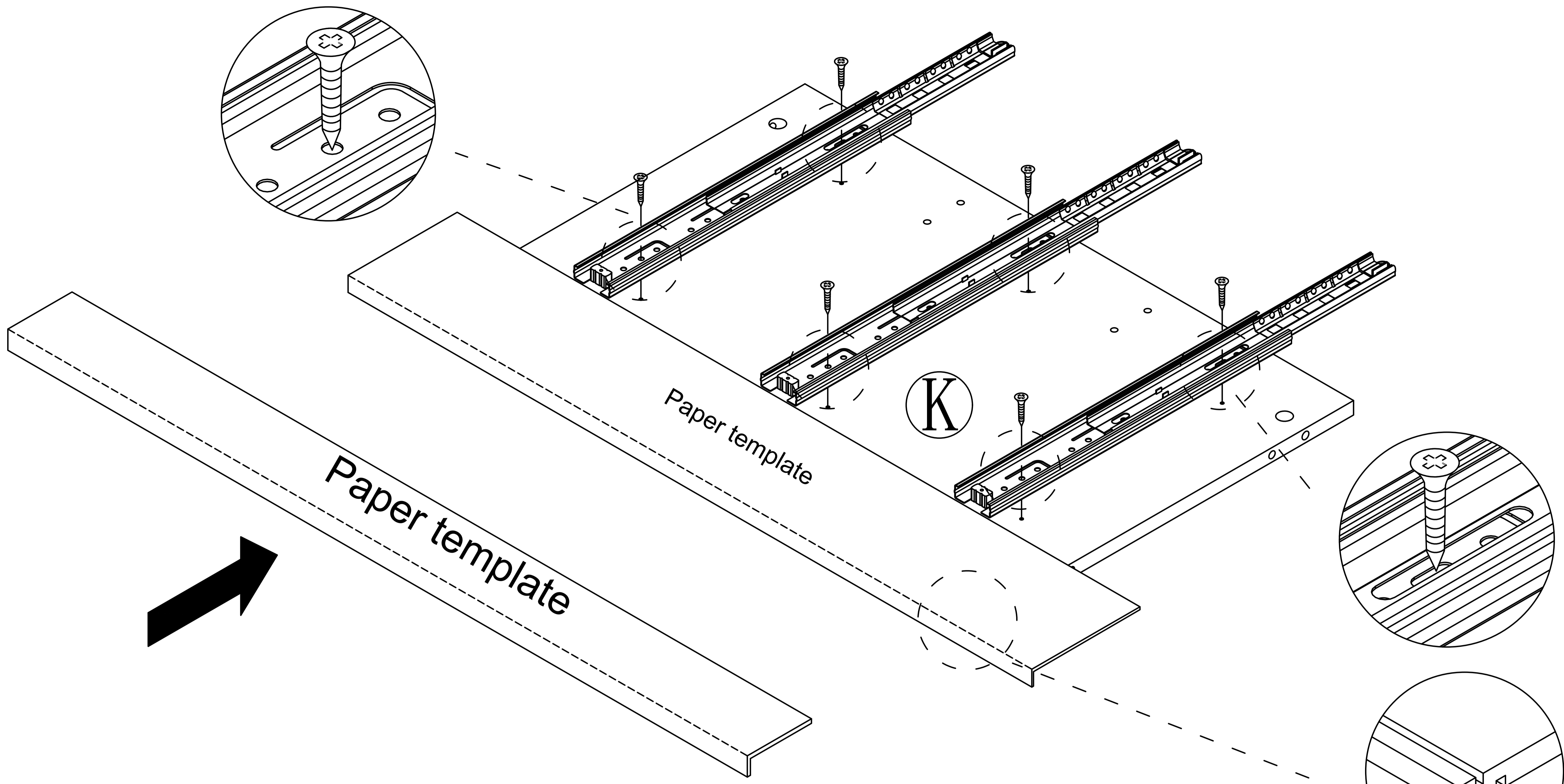
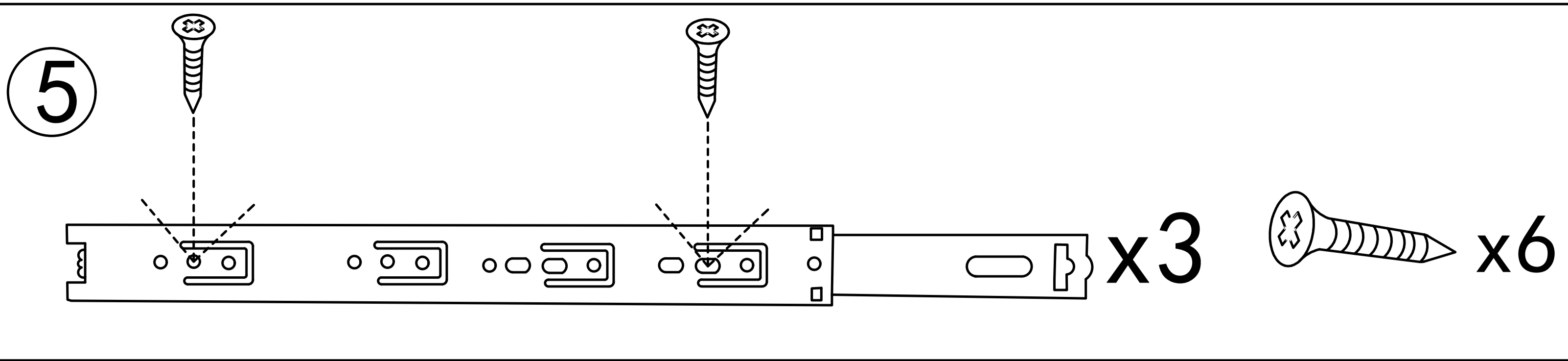
x2

Repeat the drawer installation steps

1		71pcs	2		71pcs	3		24pcs
5		16pcs	6		5pcs	7		20pcs
9		1pcs	10		1pcs	11		2pcs
12		2pcs	13		1pcs	14		2pcs
		16pcs						2pcs

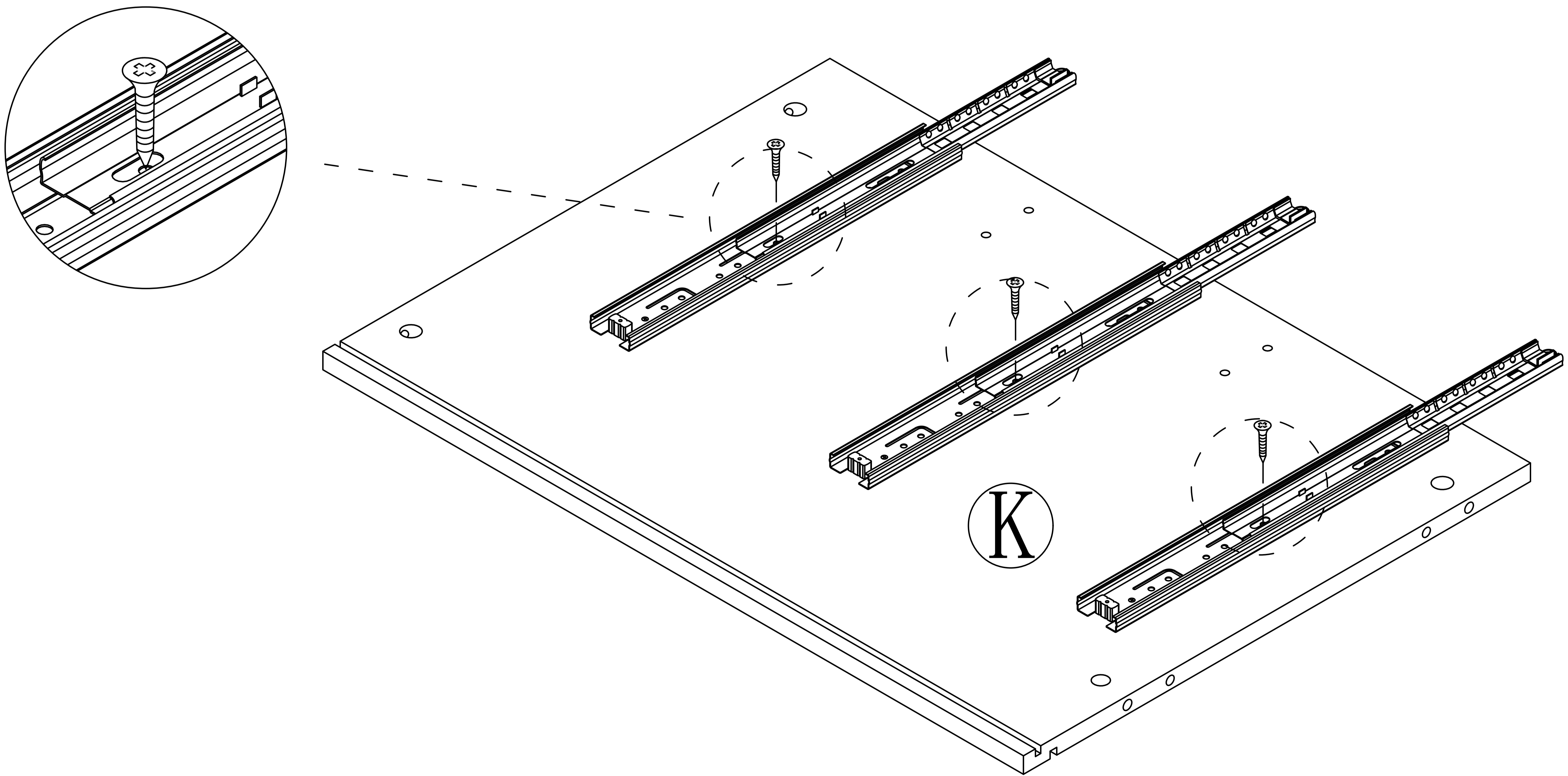
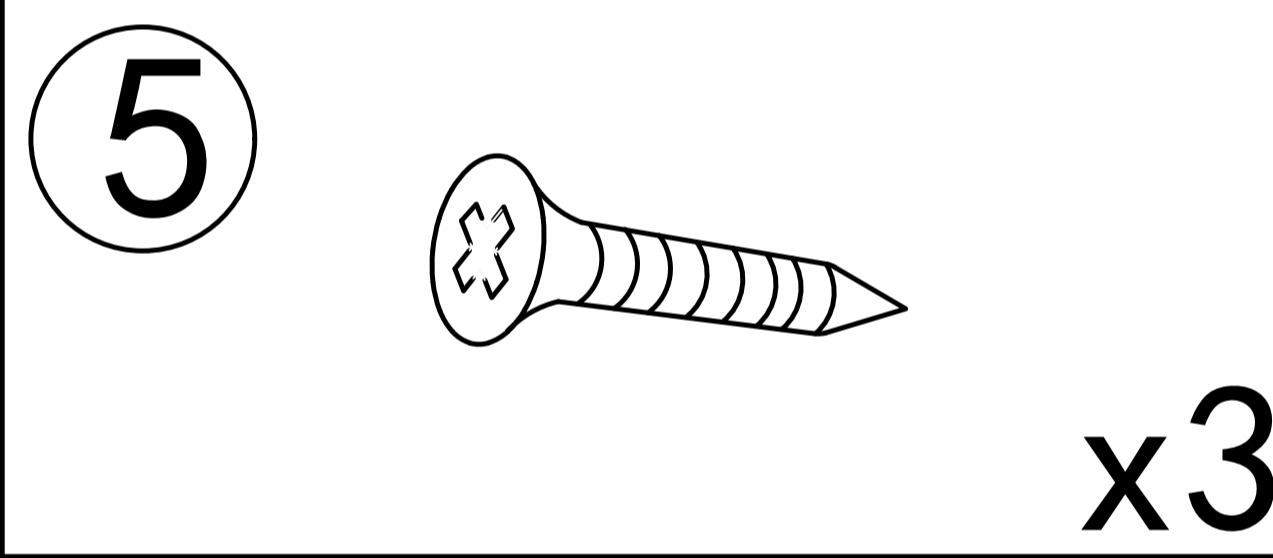


Step 15



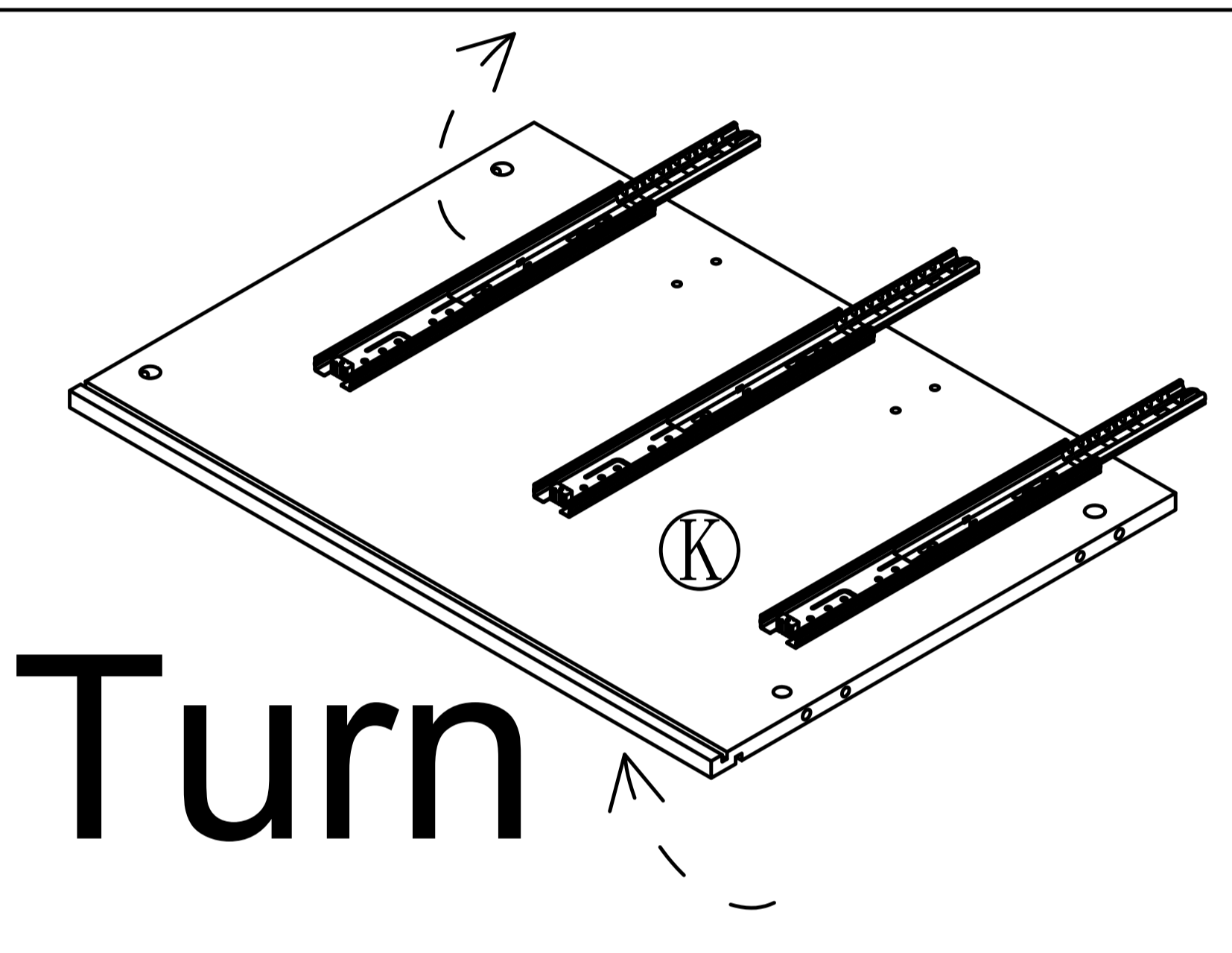
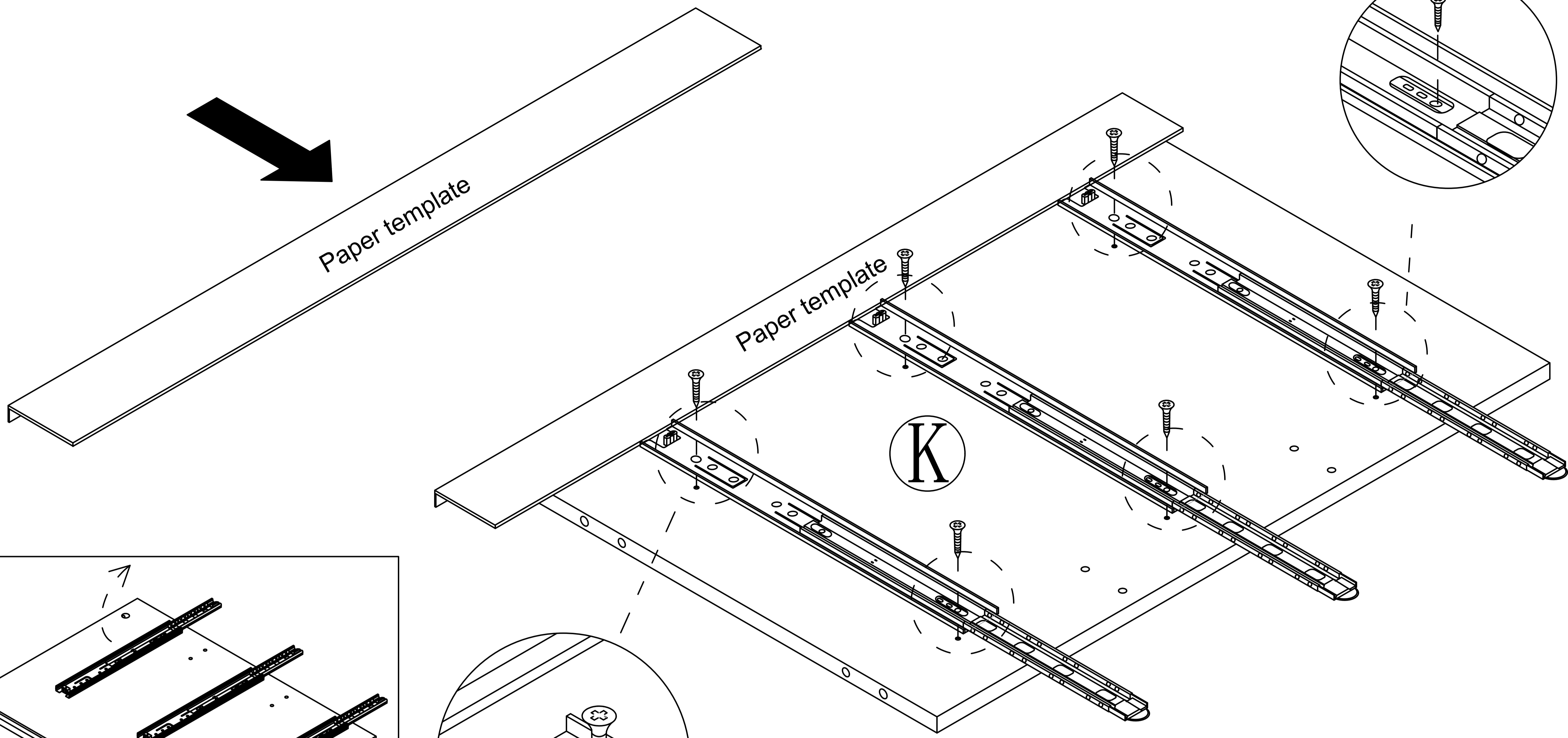
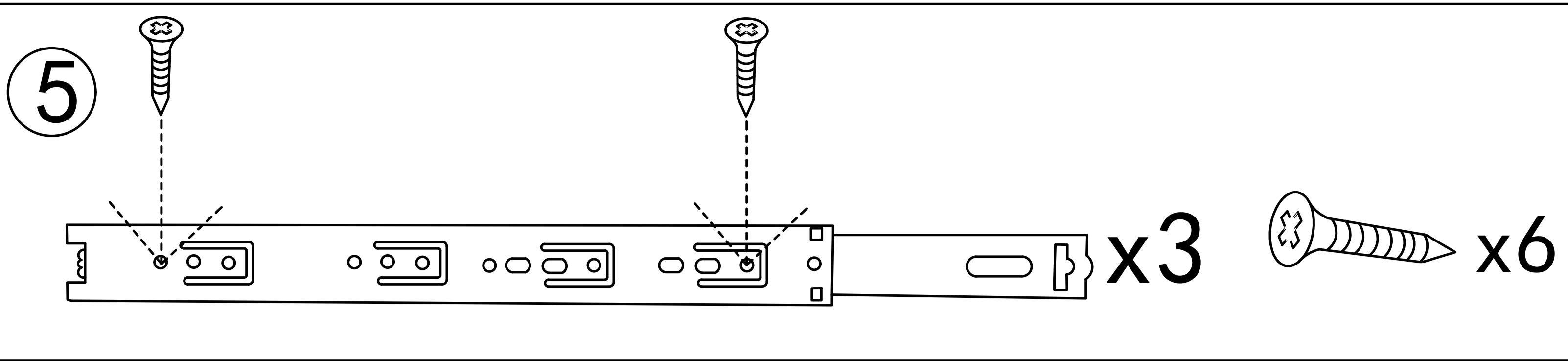
Fold it up for better installation of the guide rail, attach the back edge of the guide rail to the folded paper, and screw it into the corresponding hole position

Step 16



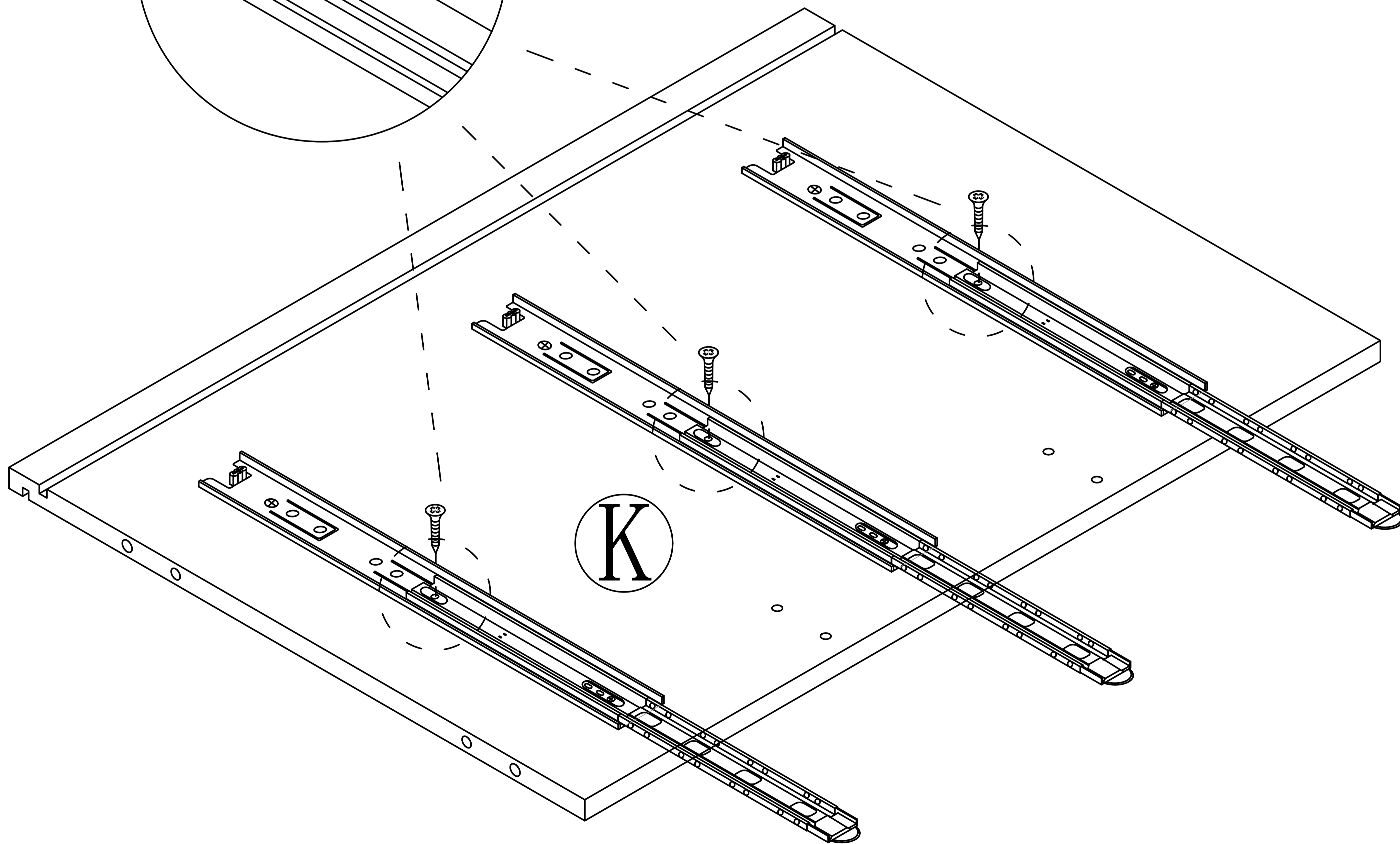
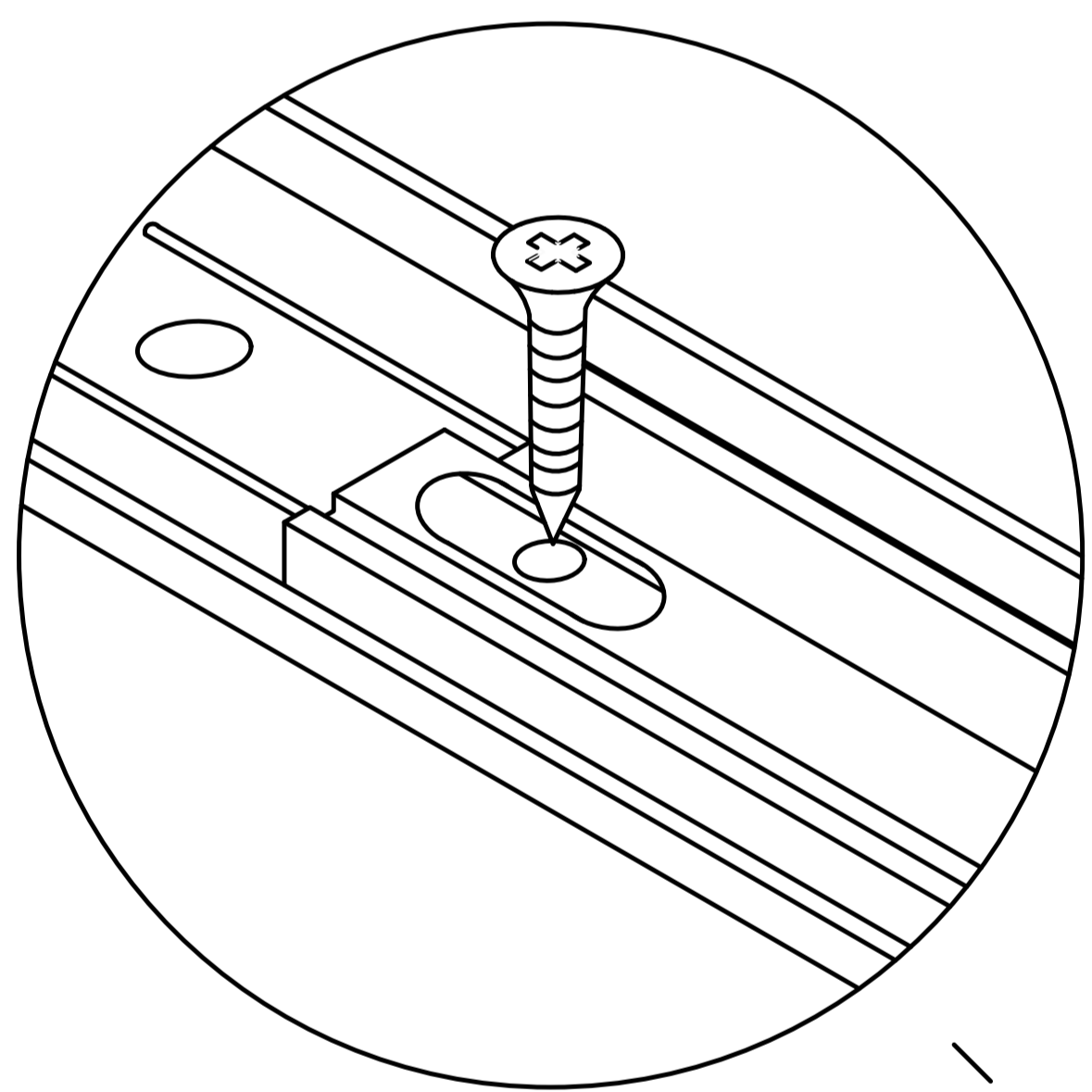
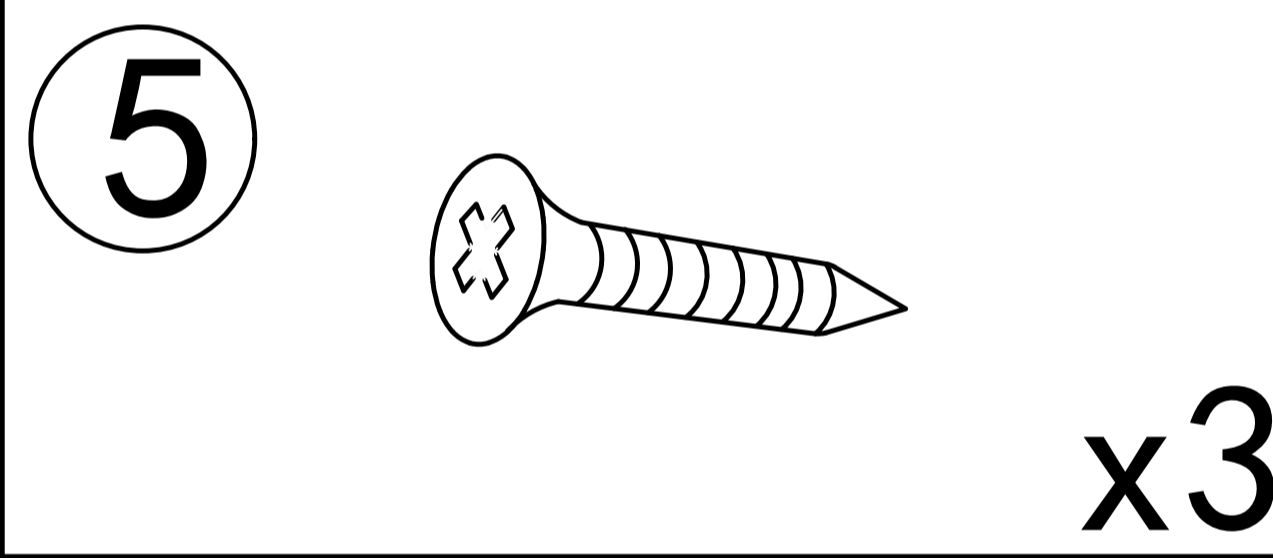
This hole is for strengthening fixed hole customers can choose to install according to their needs.

Step 17



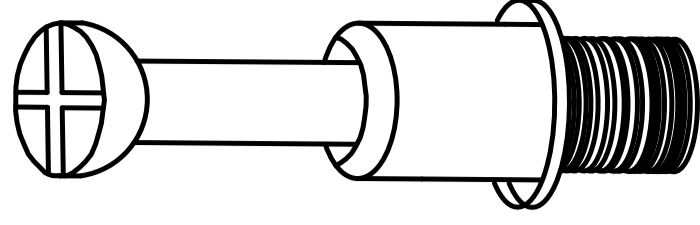
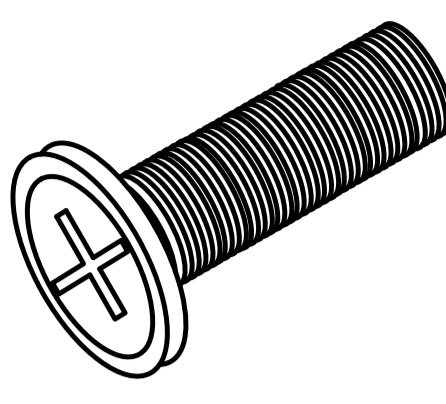
Fold it up for better installation of the guide rail, attach the back edge of the guide rail to the folded paper, and screw it into the corresponding hole position

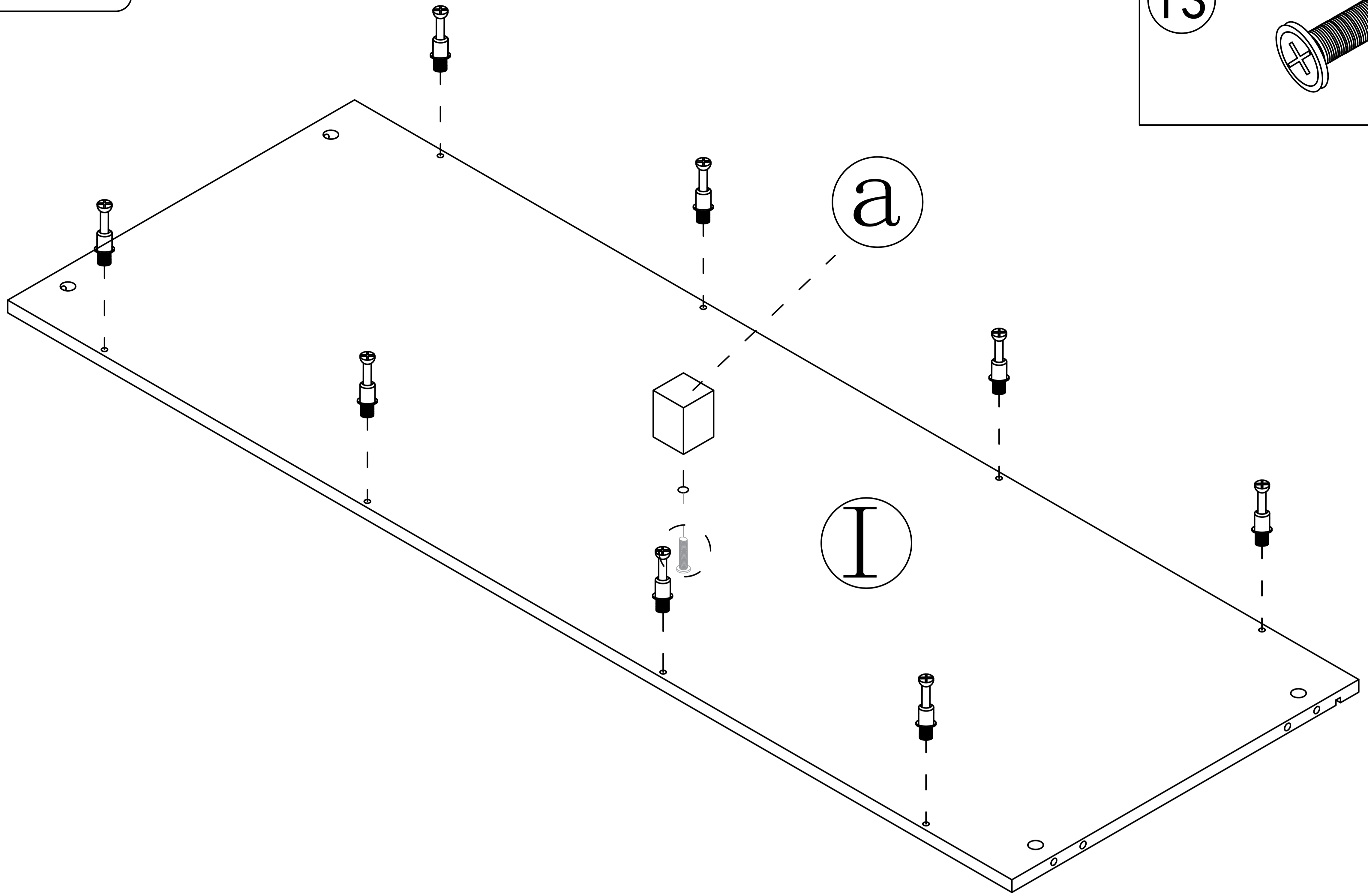
Step 18



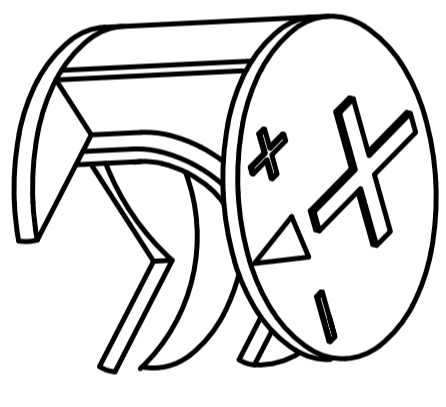
This hole is for strengthening fixed hole customers can choose to install according to their needs.

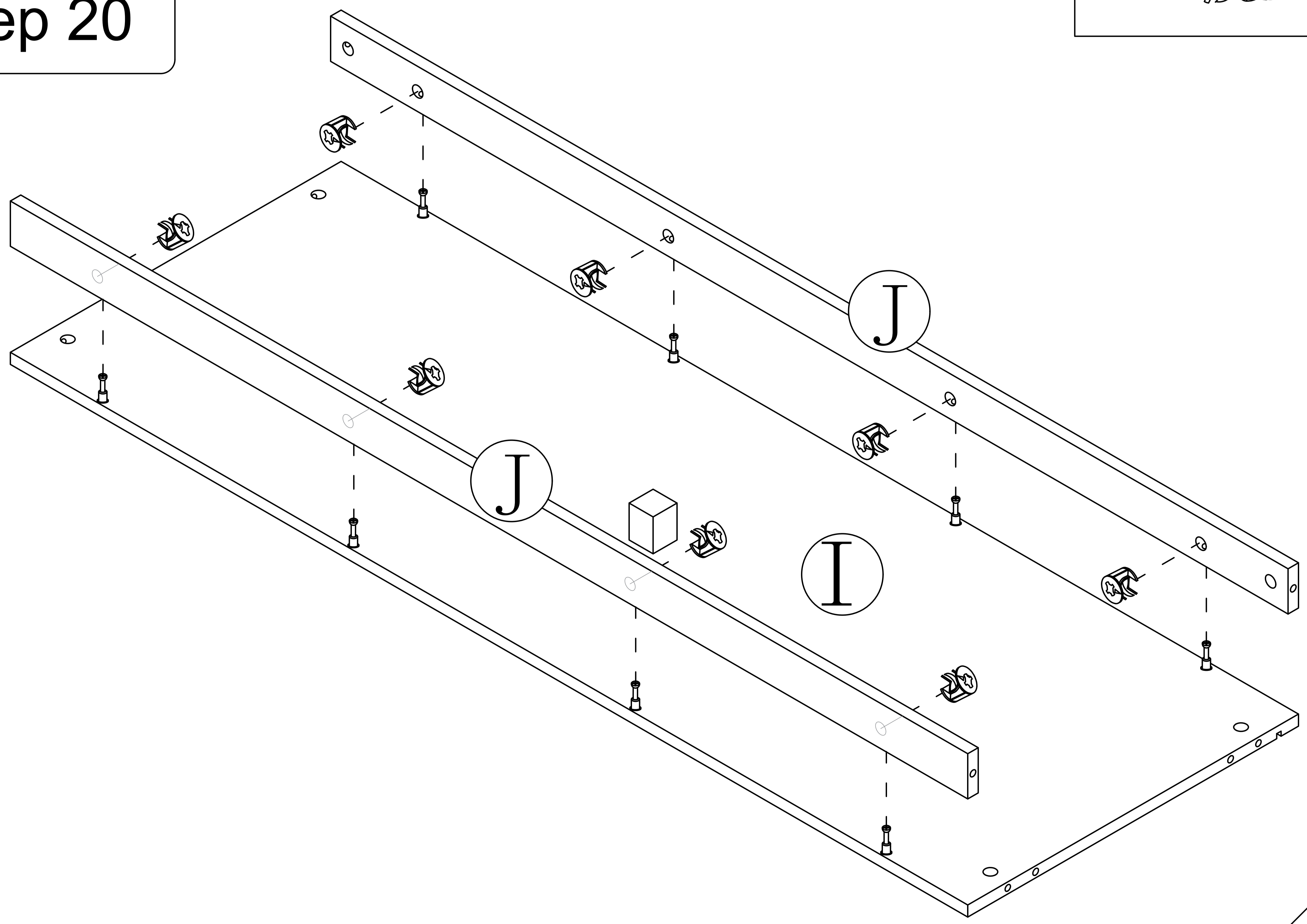
Step 19

- 1  x8
- 13  x1

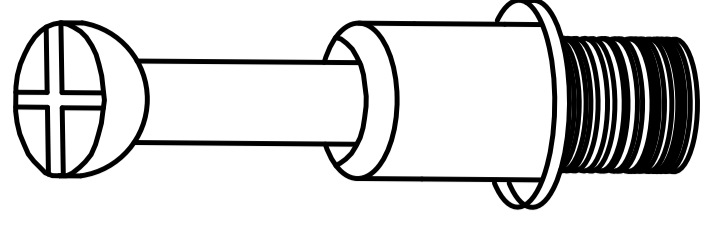
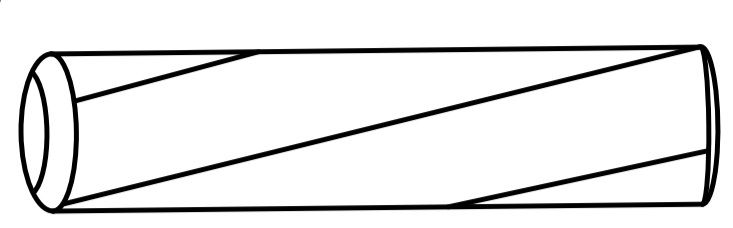


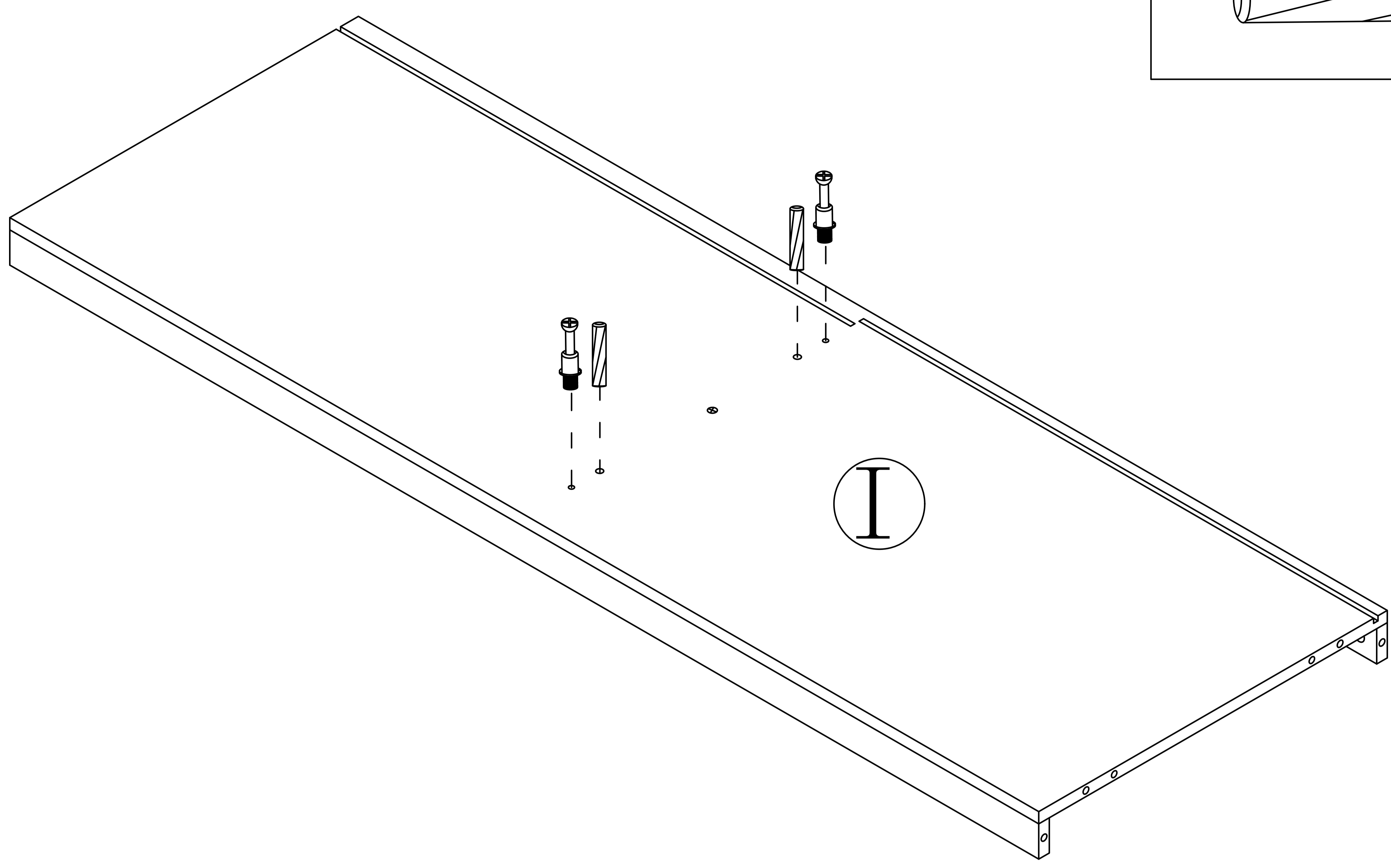
Step 20

- 2  x8

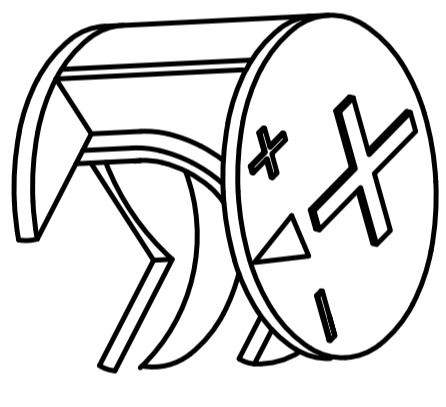


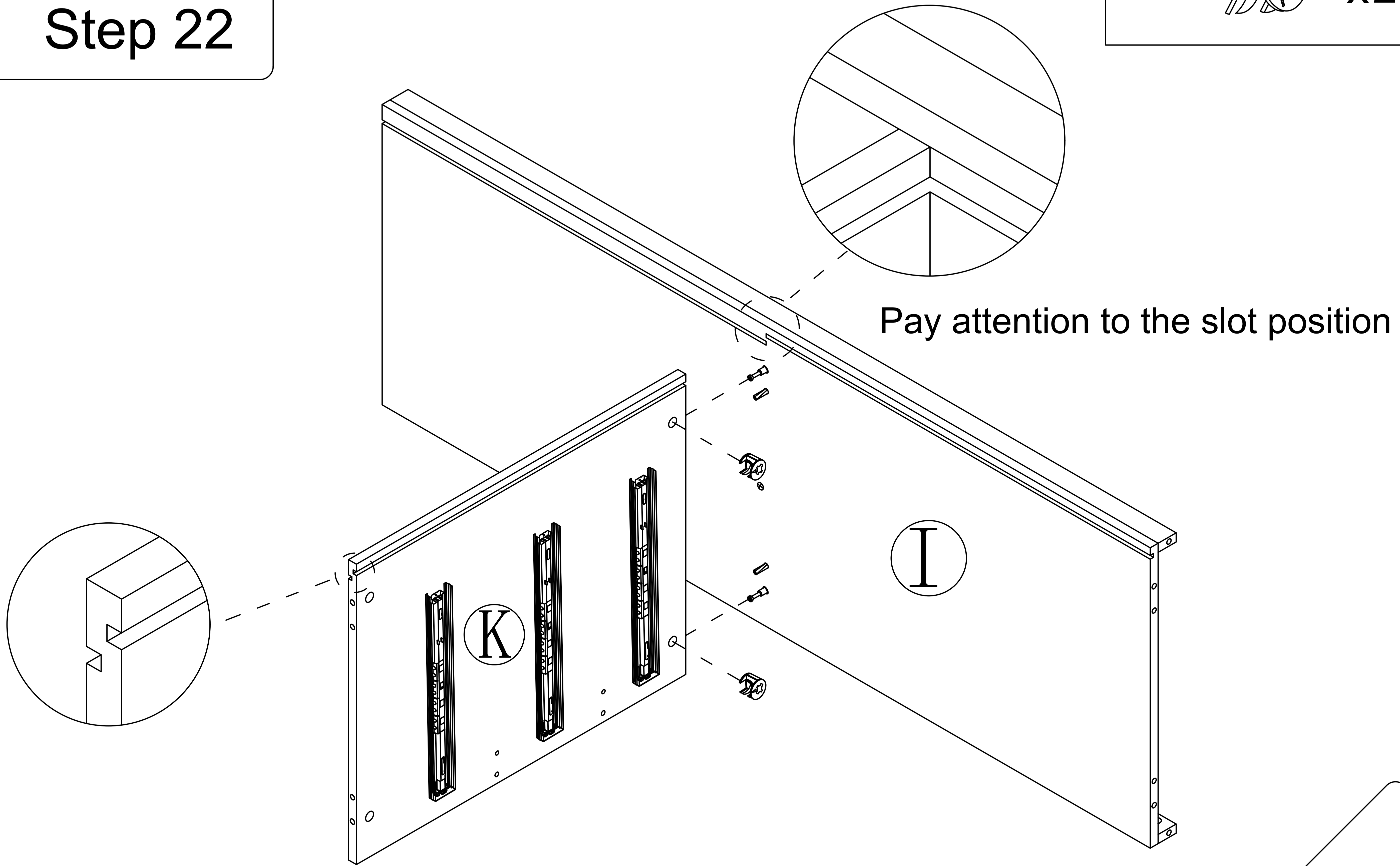
Step 21

- 1  x2
- 3  x2

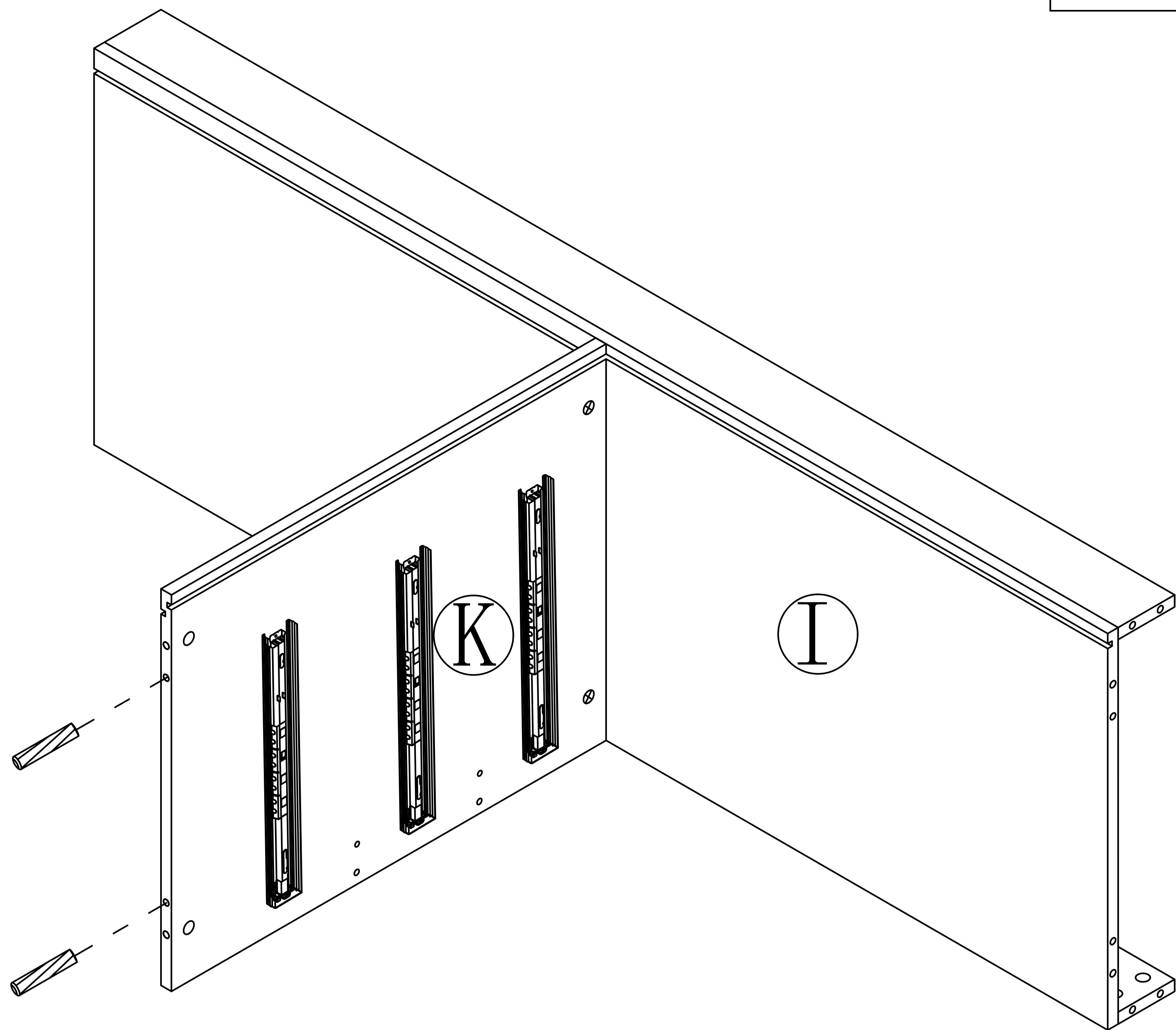
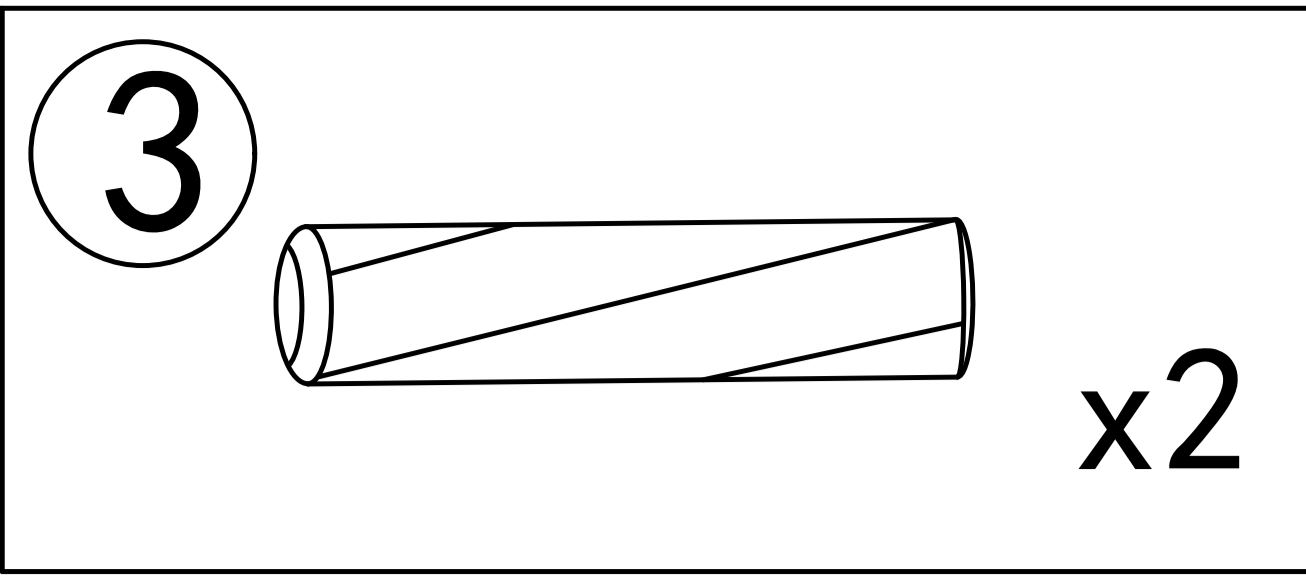


Step 22

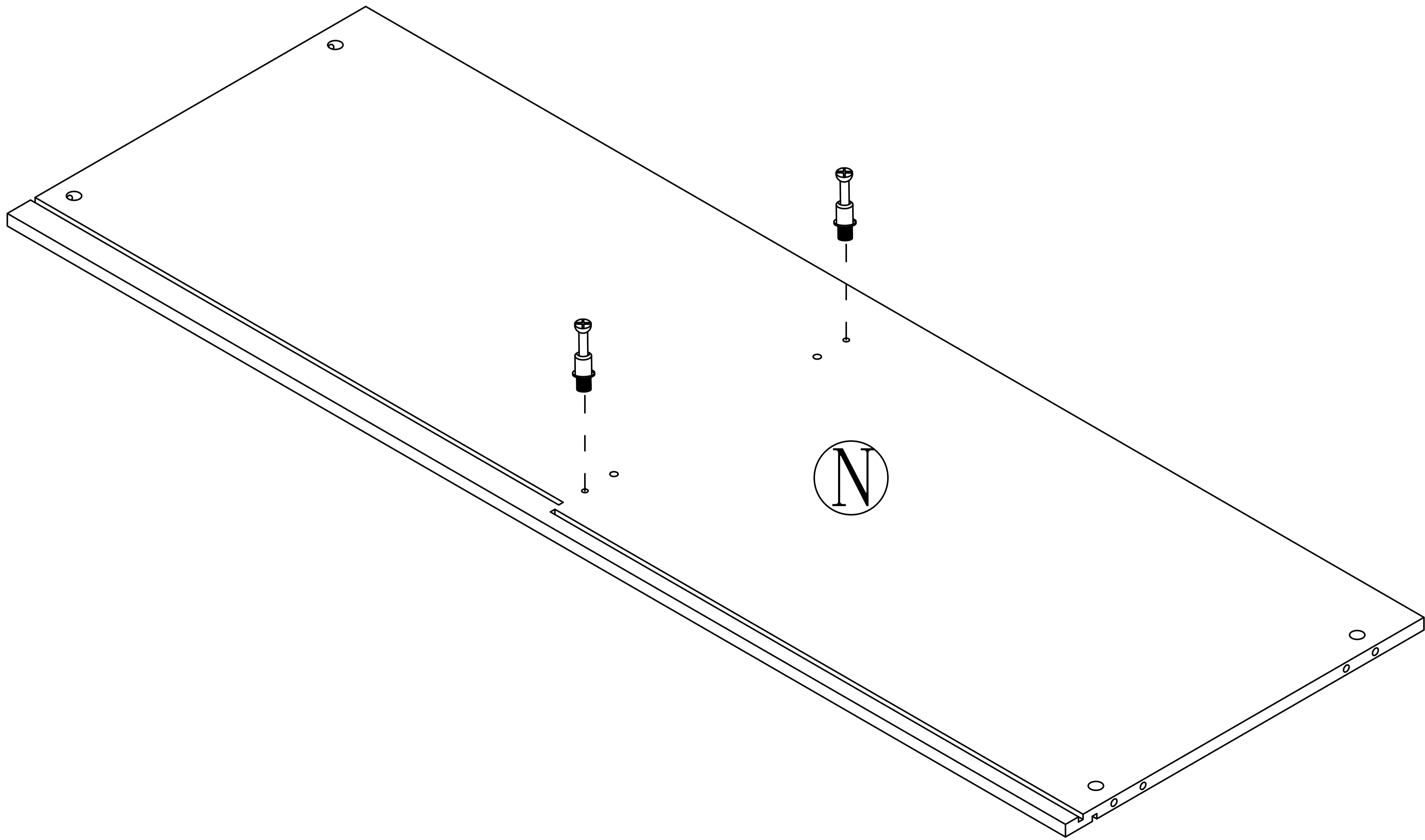
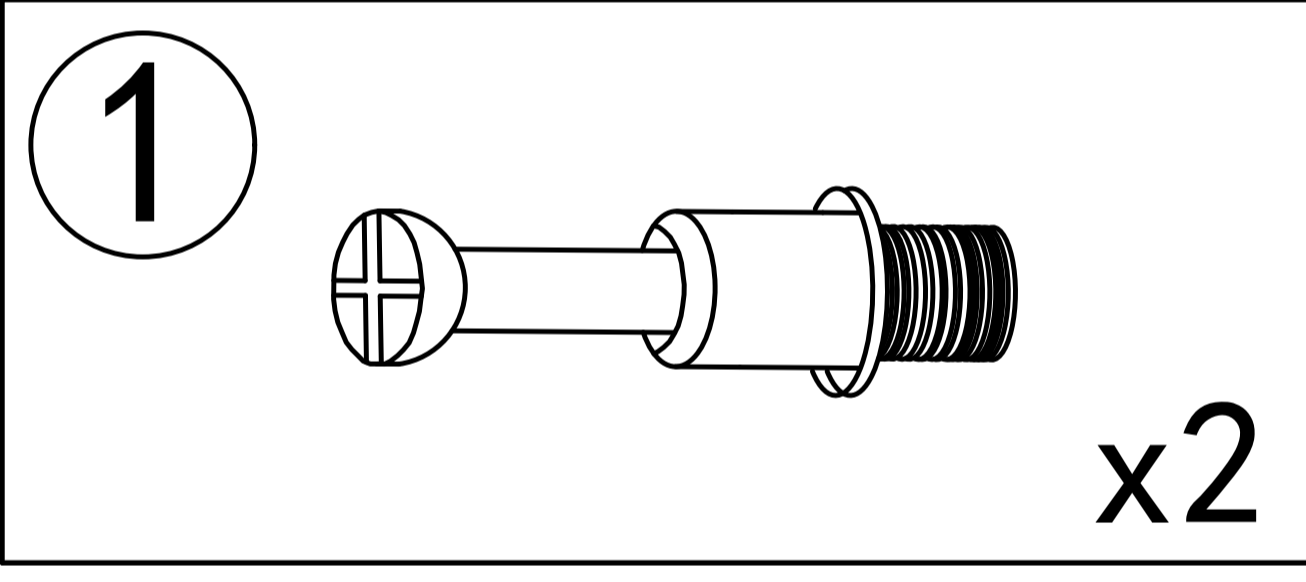
- 2  x2



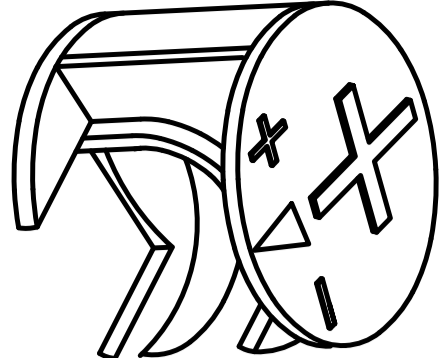
Step 23

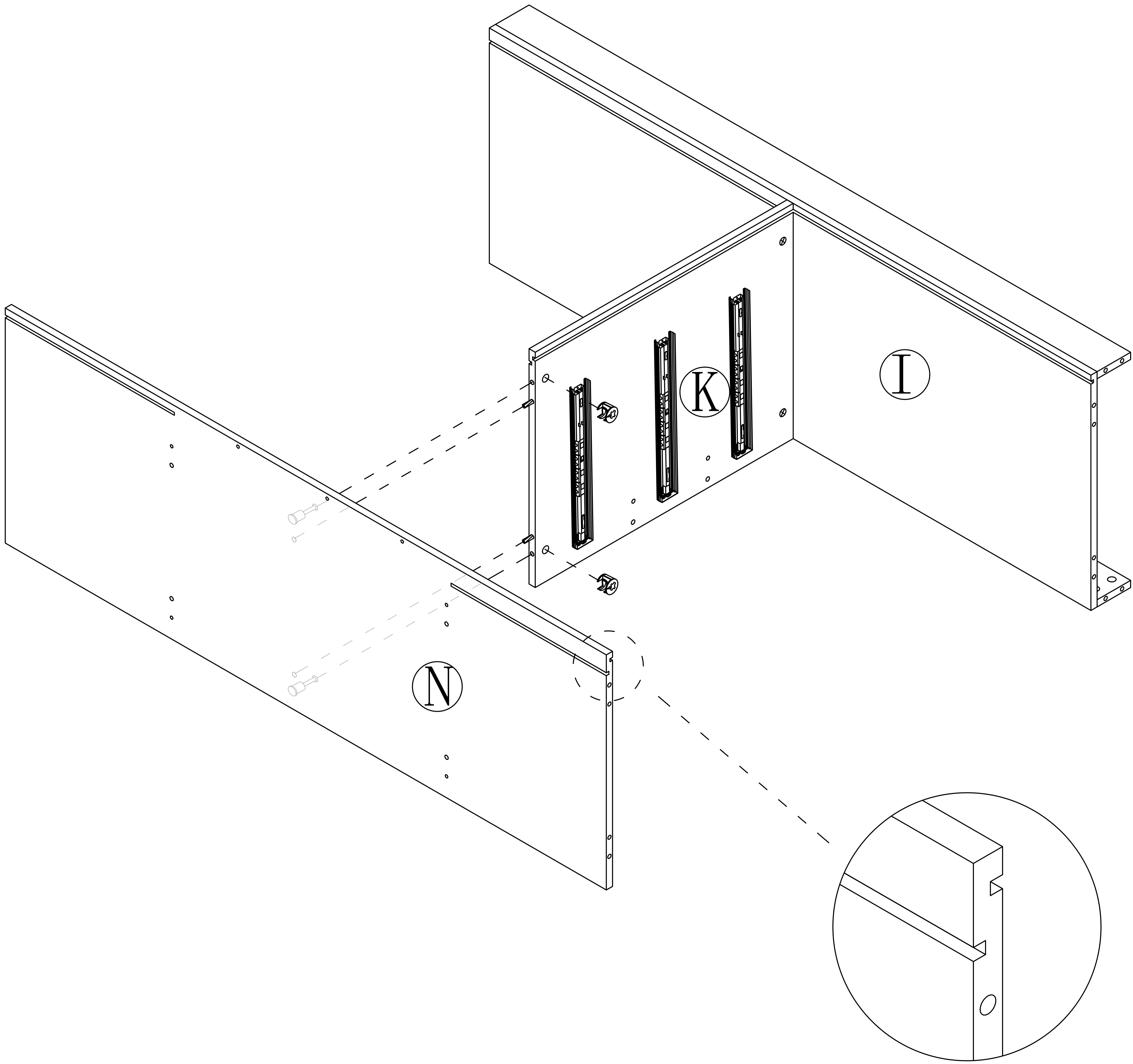


Step 24

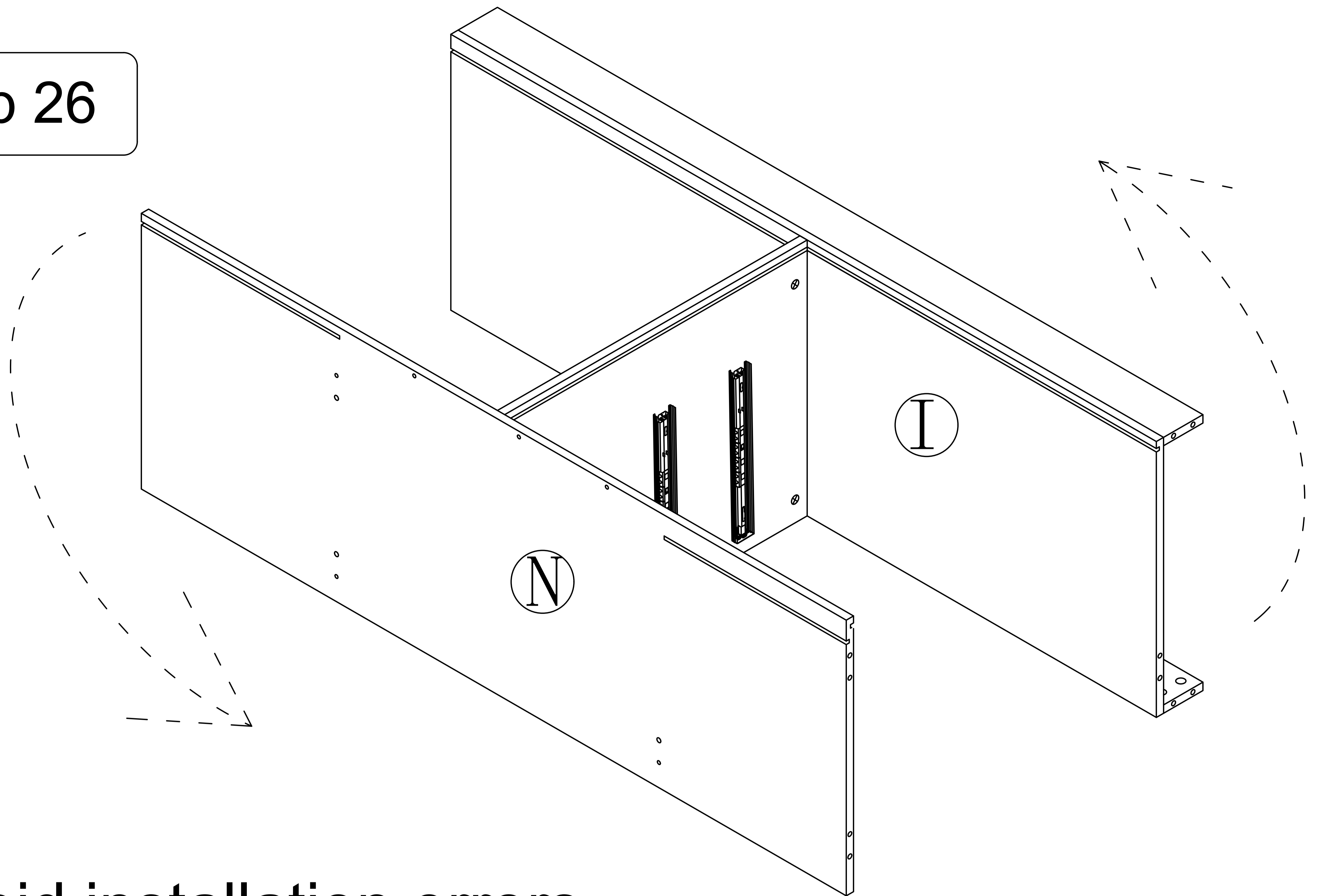


Step 25

2  x2

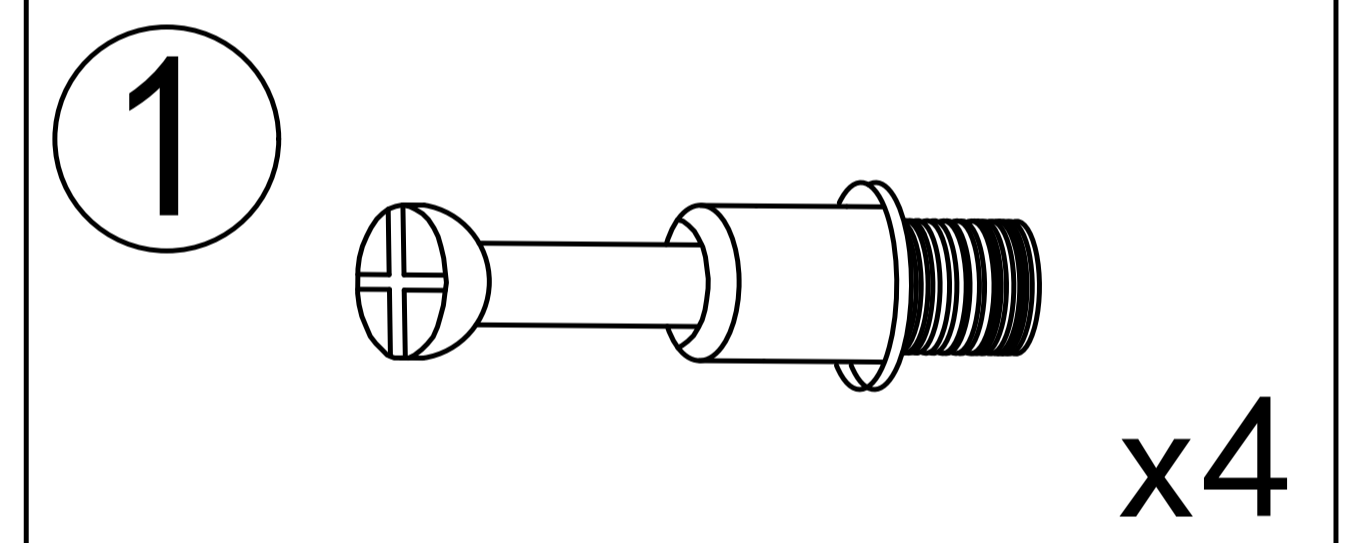
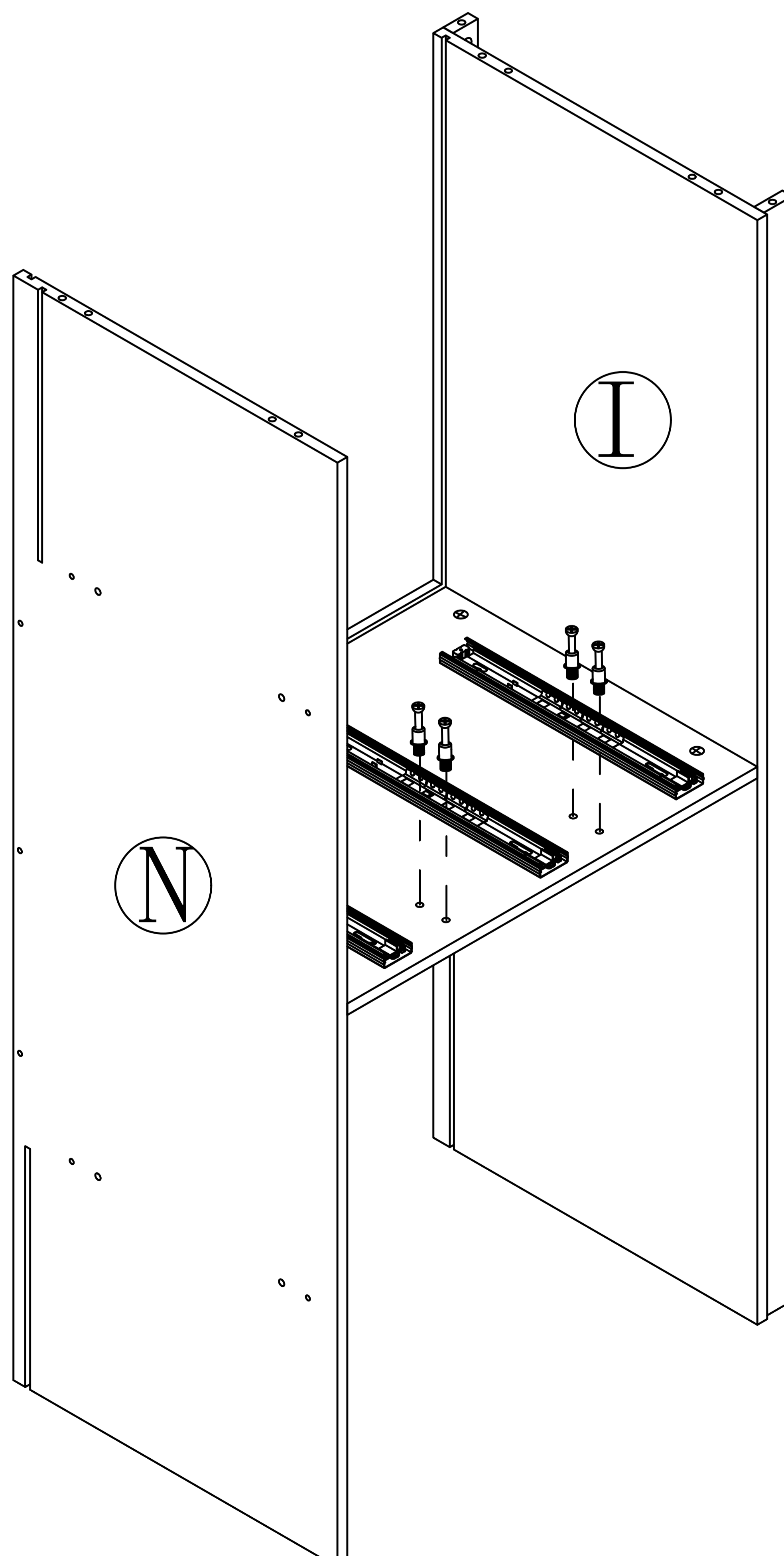


Step 26



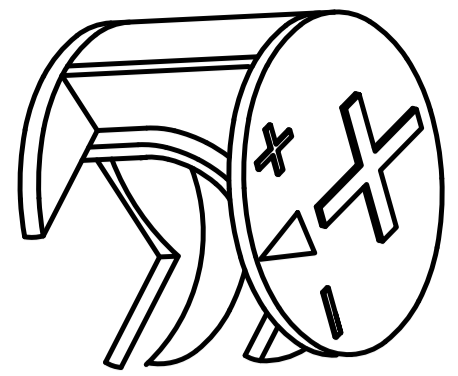
To avoid installation errors,
flip as shown in the picture

Step 27

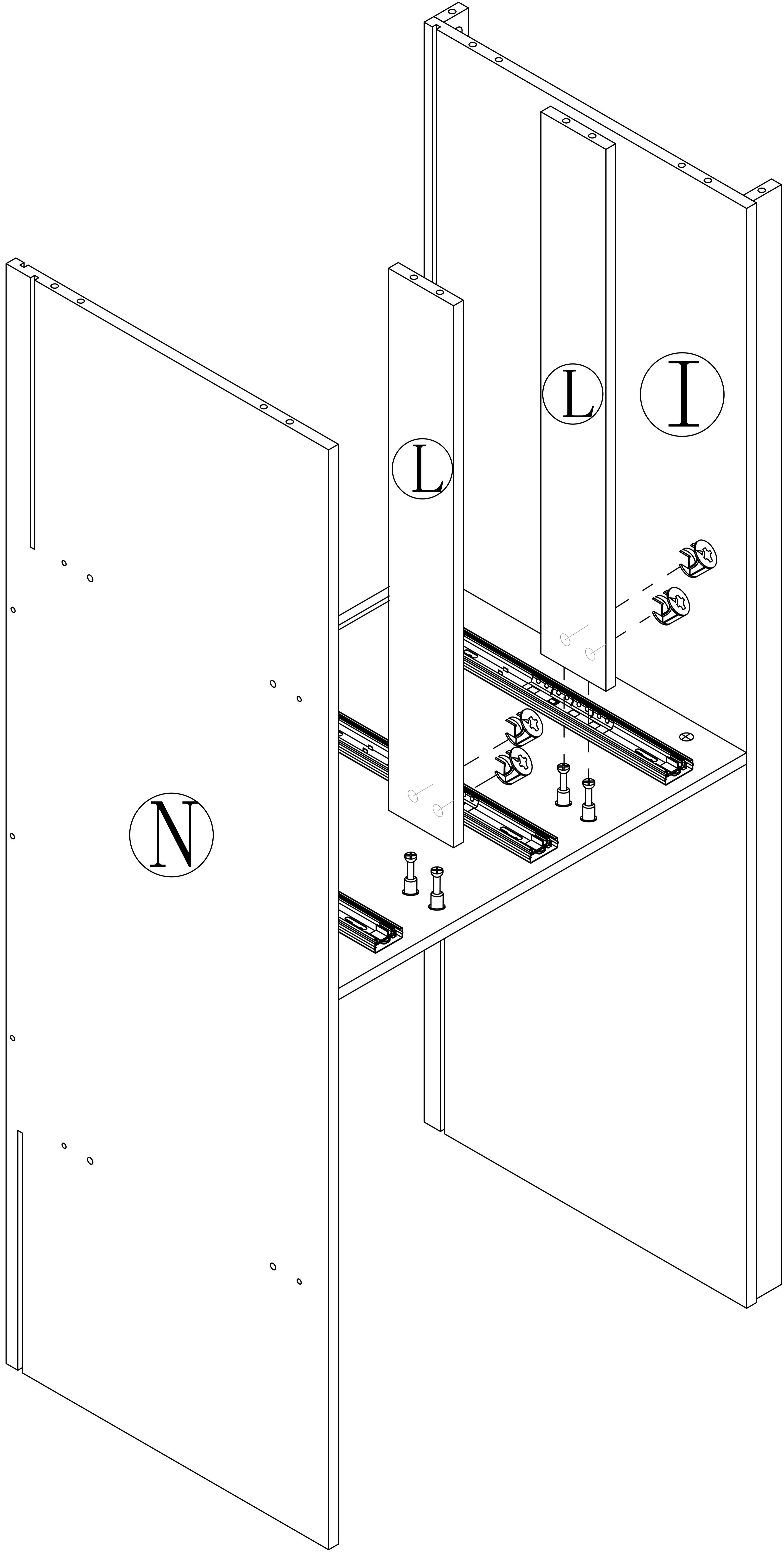


Step 28

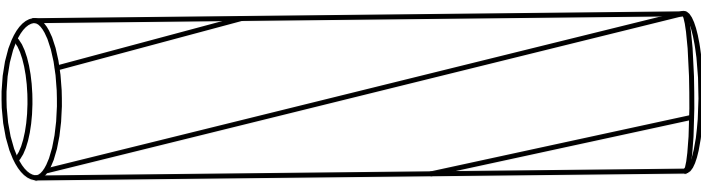
2

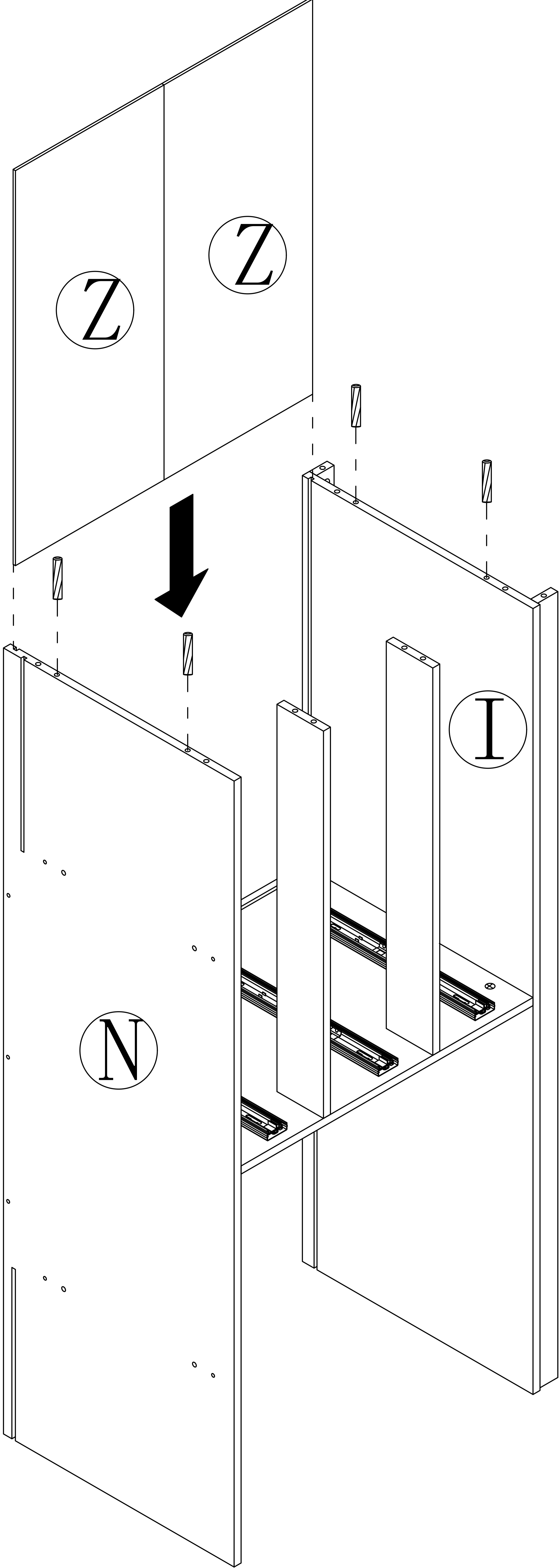


x4

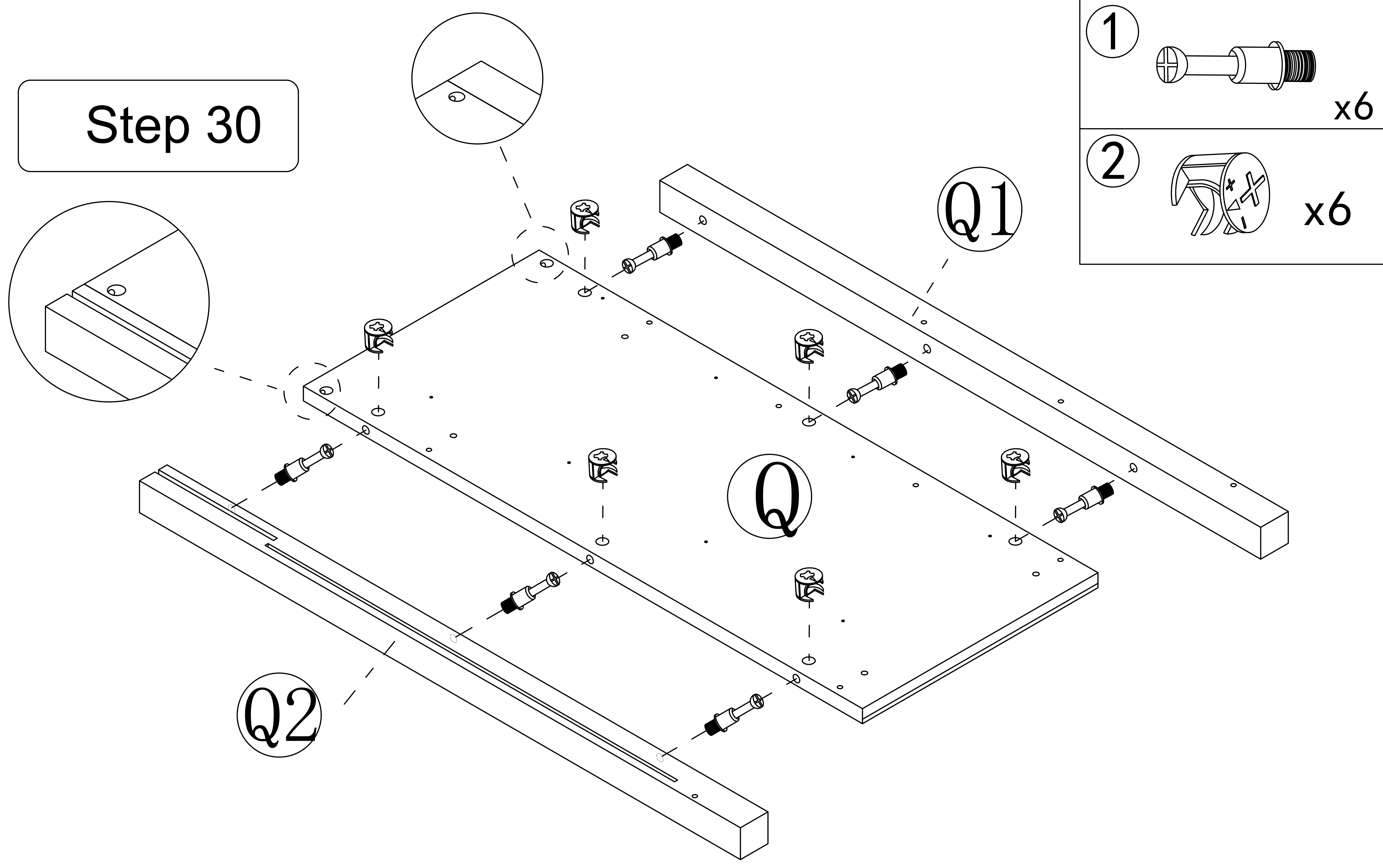


Step 29

3  x4

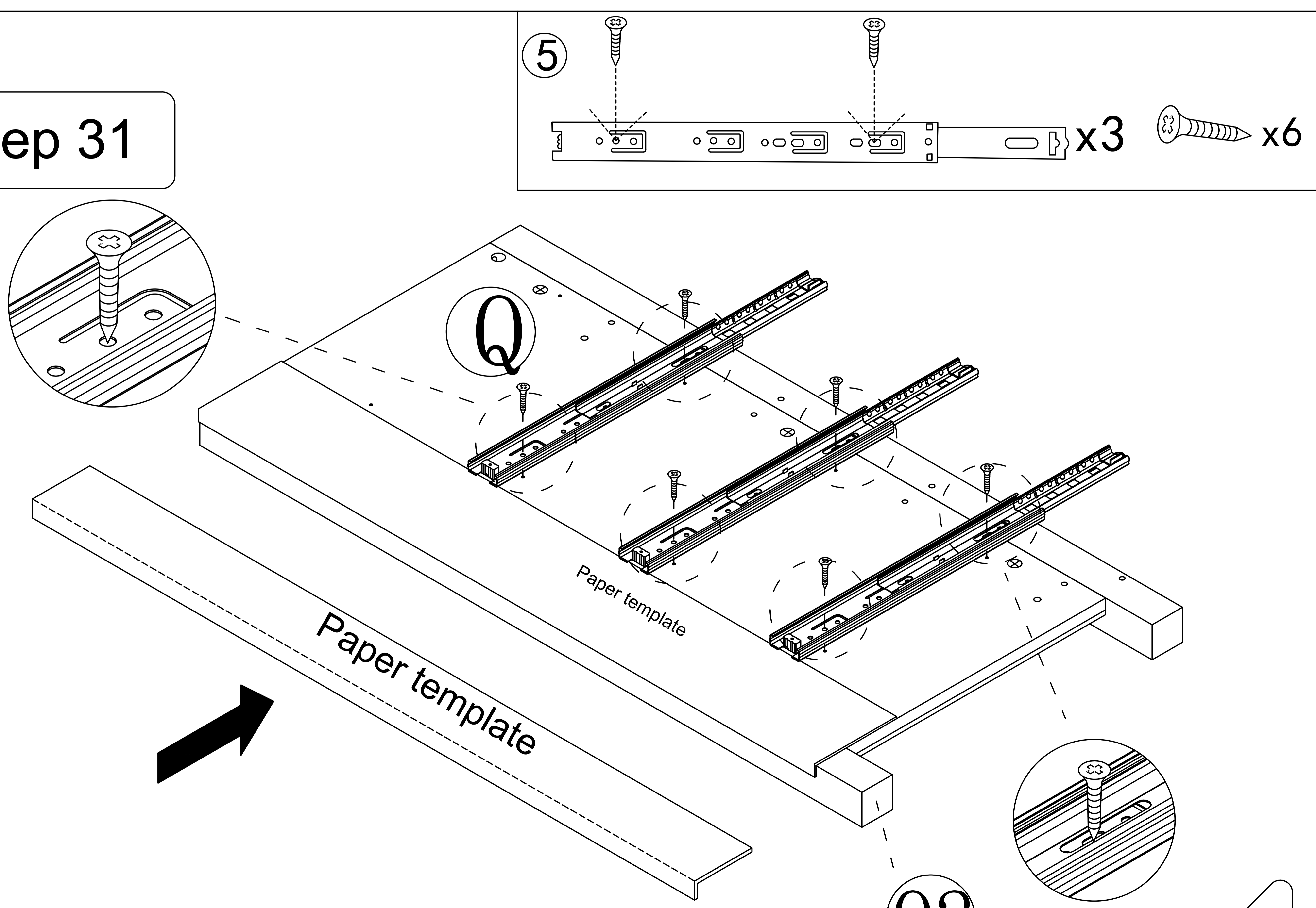


Step 30



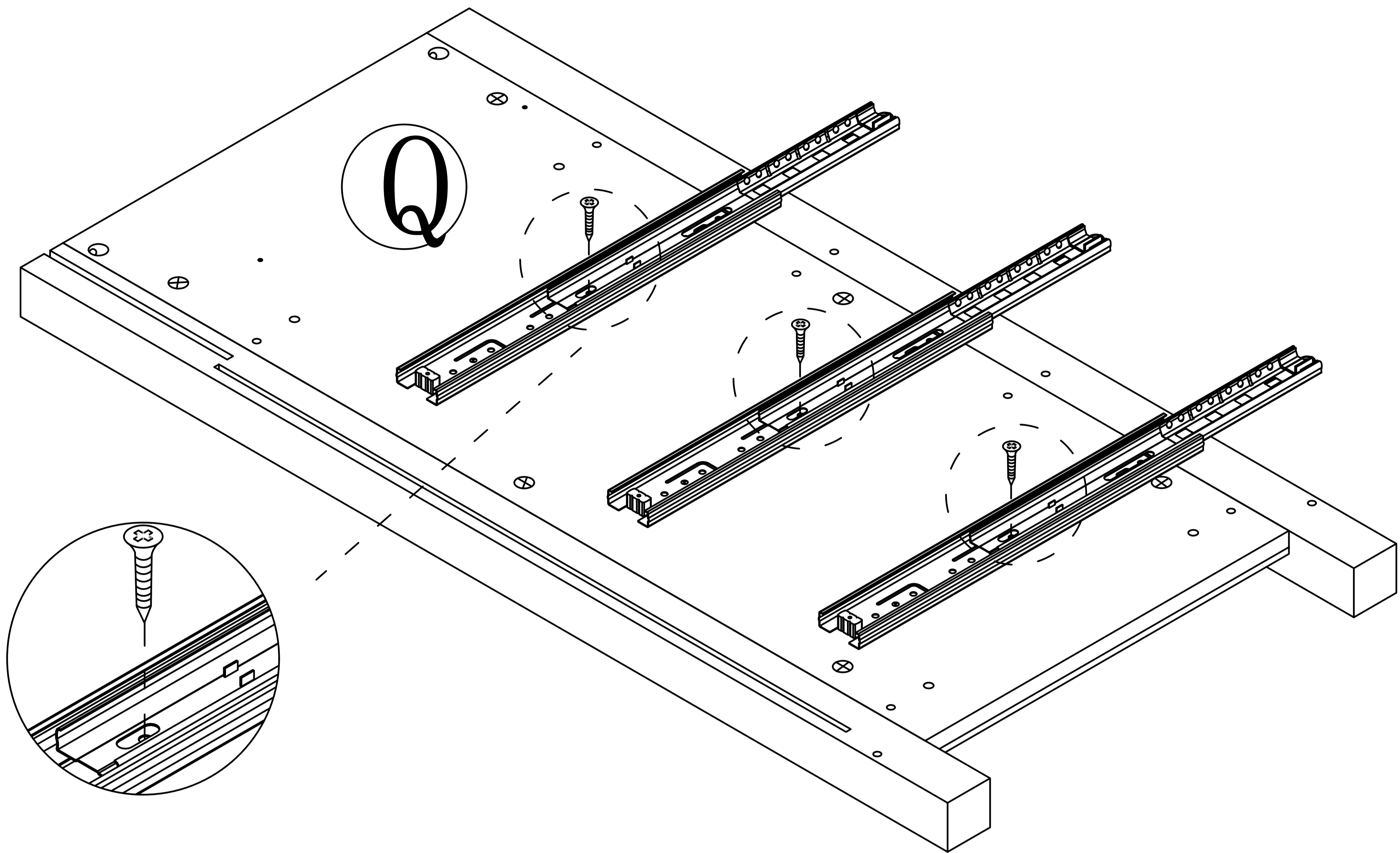
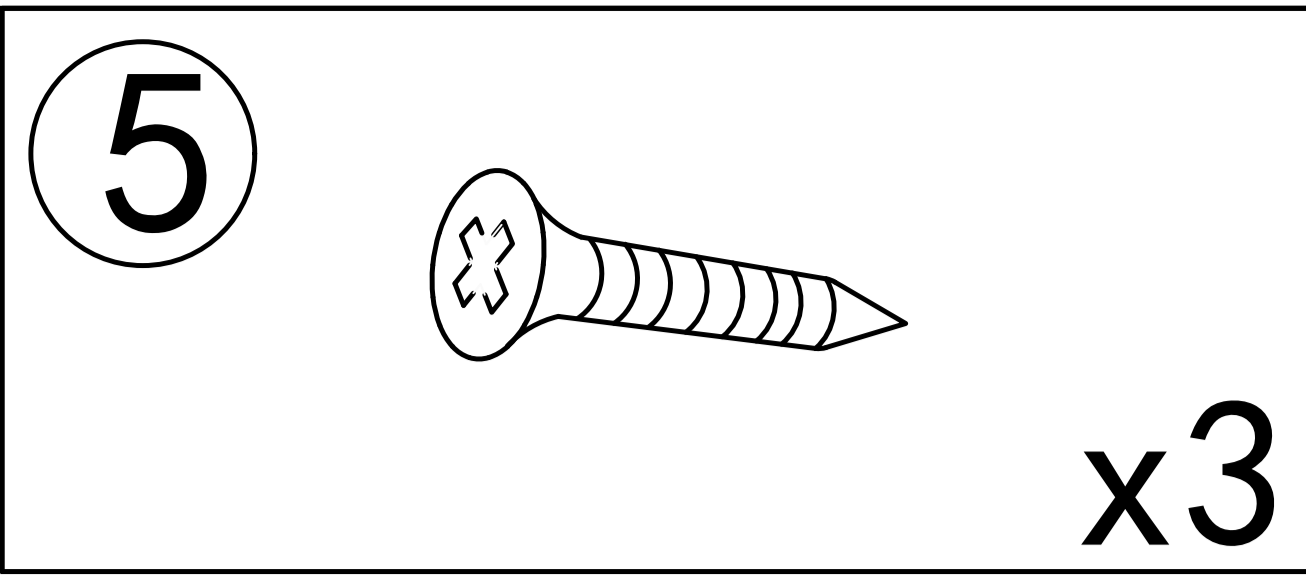
Attention: First install the two in one, then install the nut

Step 31



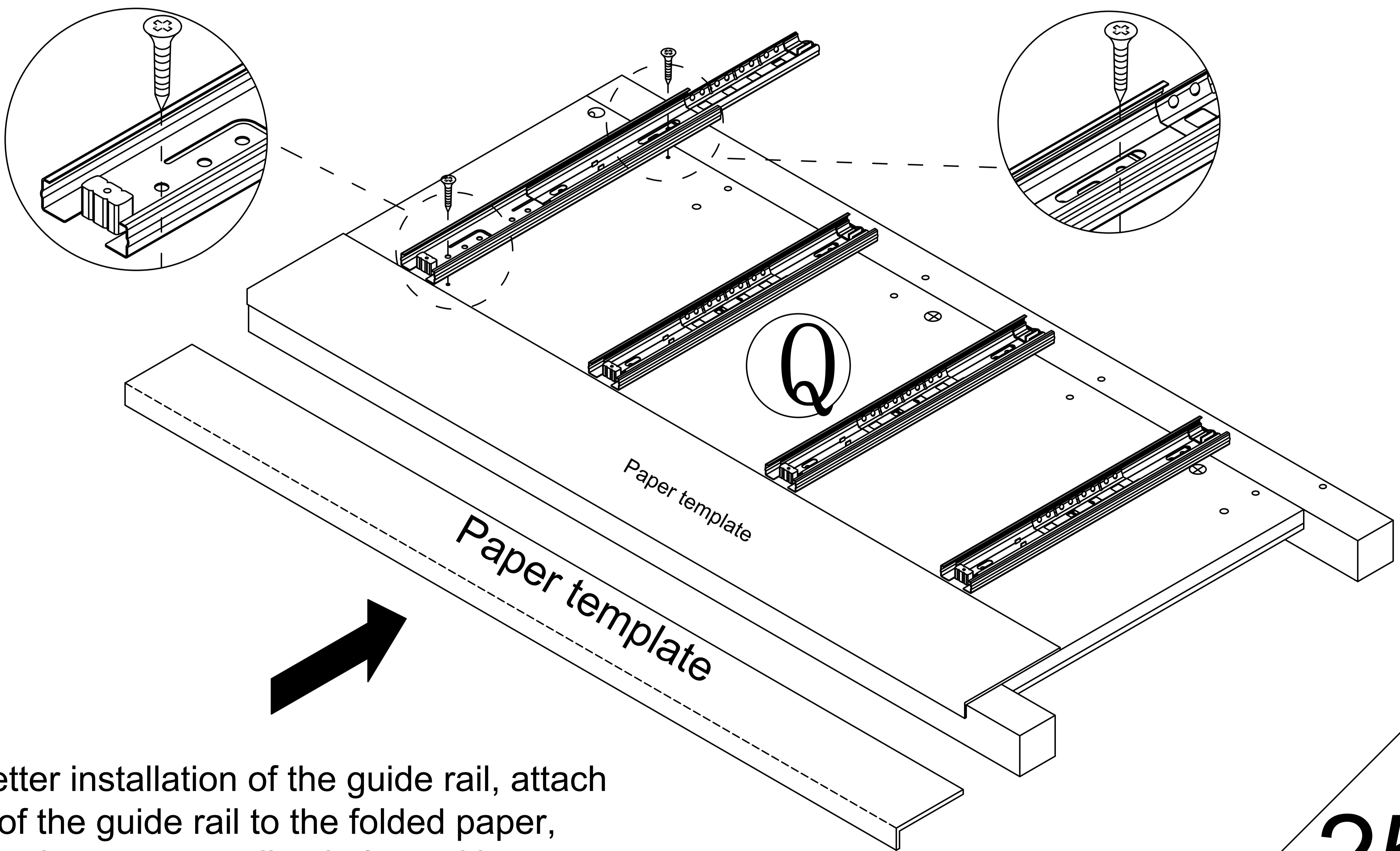
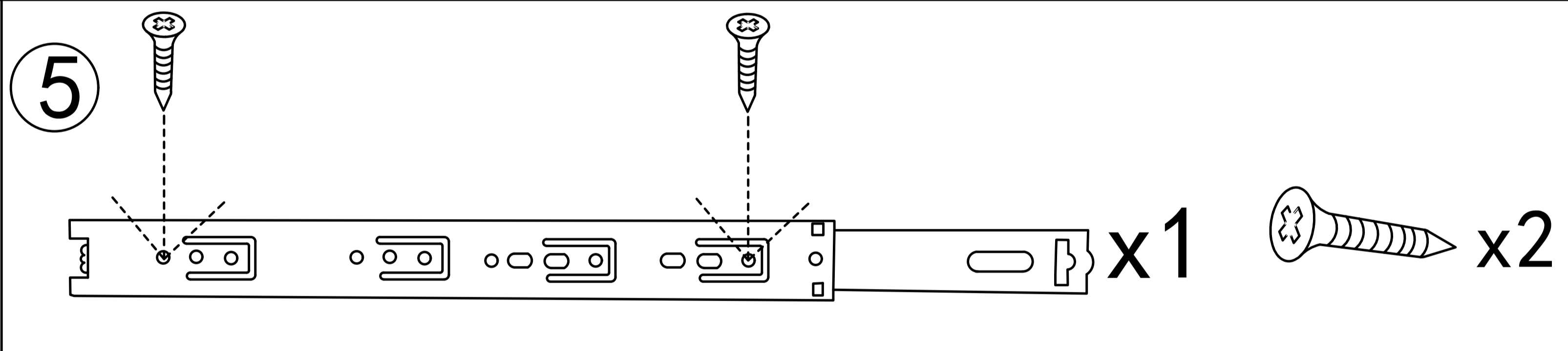
Fold it up for better installation of the guide rail, attach the back edge of the guide rail to the folded paper, and screw it into the corresponding hole position

Step 32



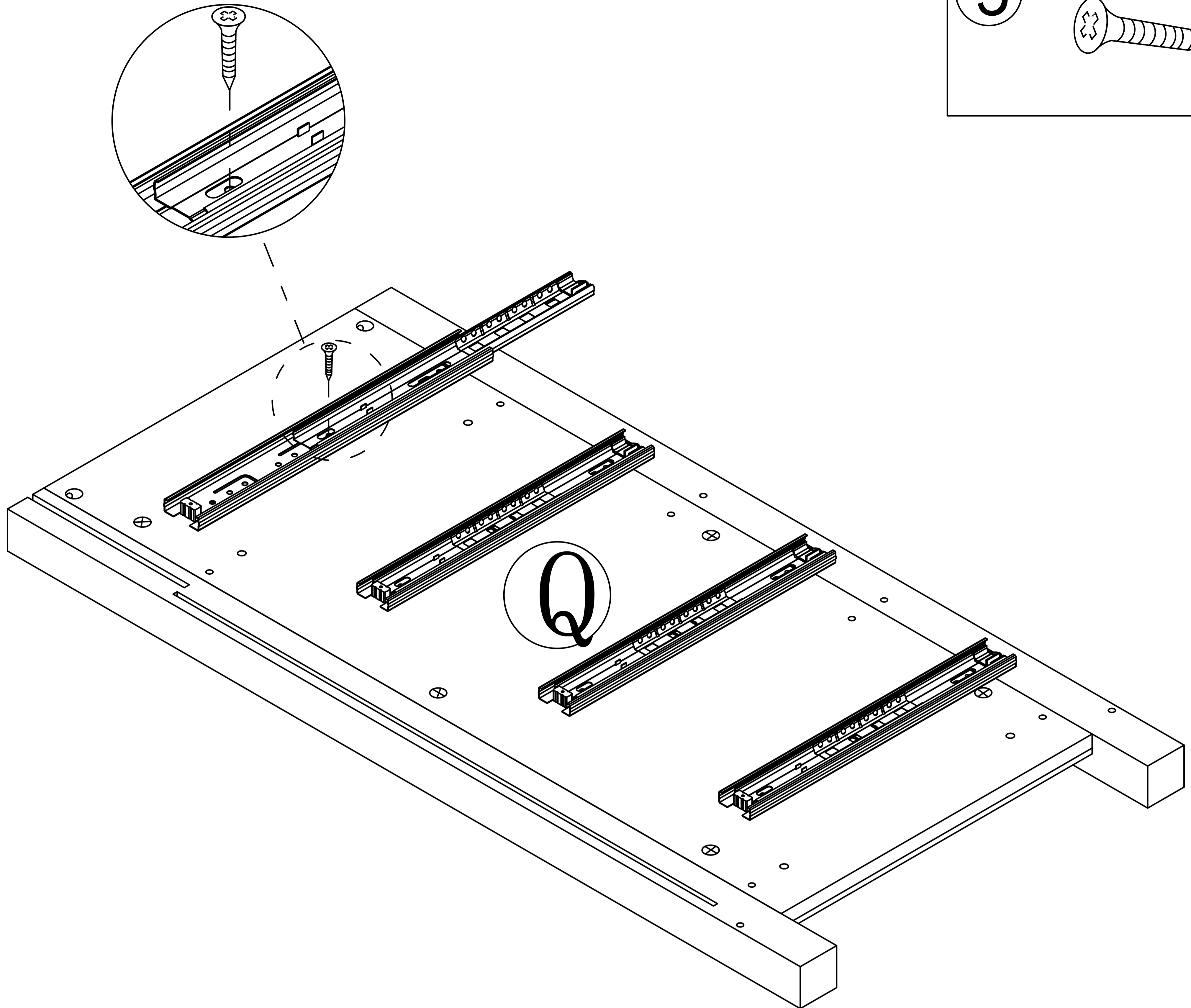
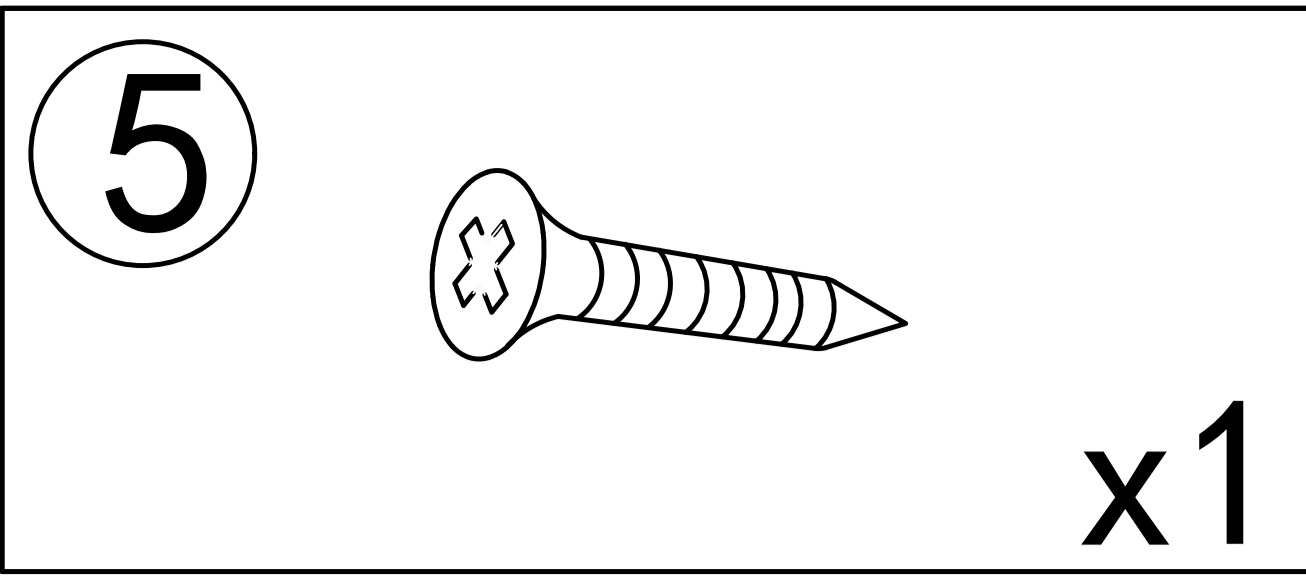
This hole is for strengthening fixed hole customers can choose to install according to their needs.

Step 33



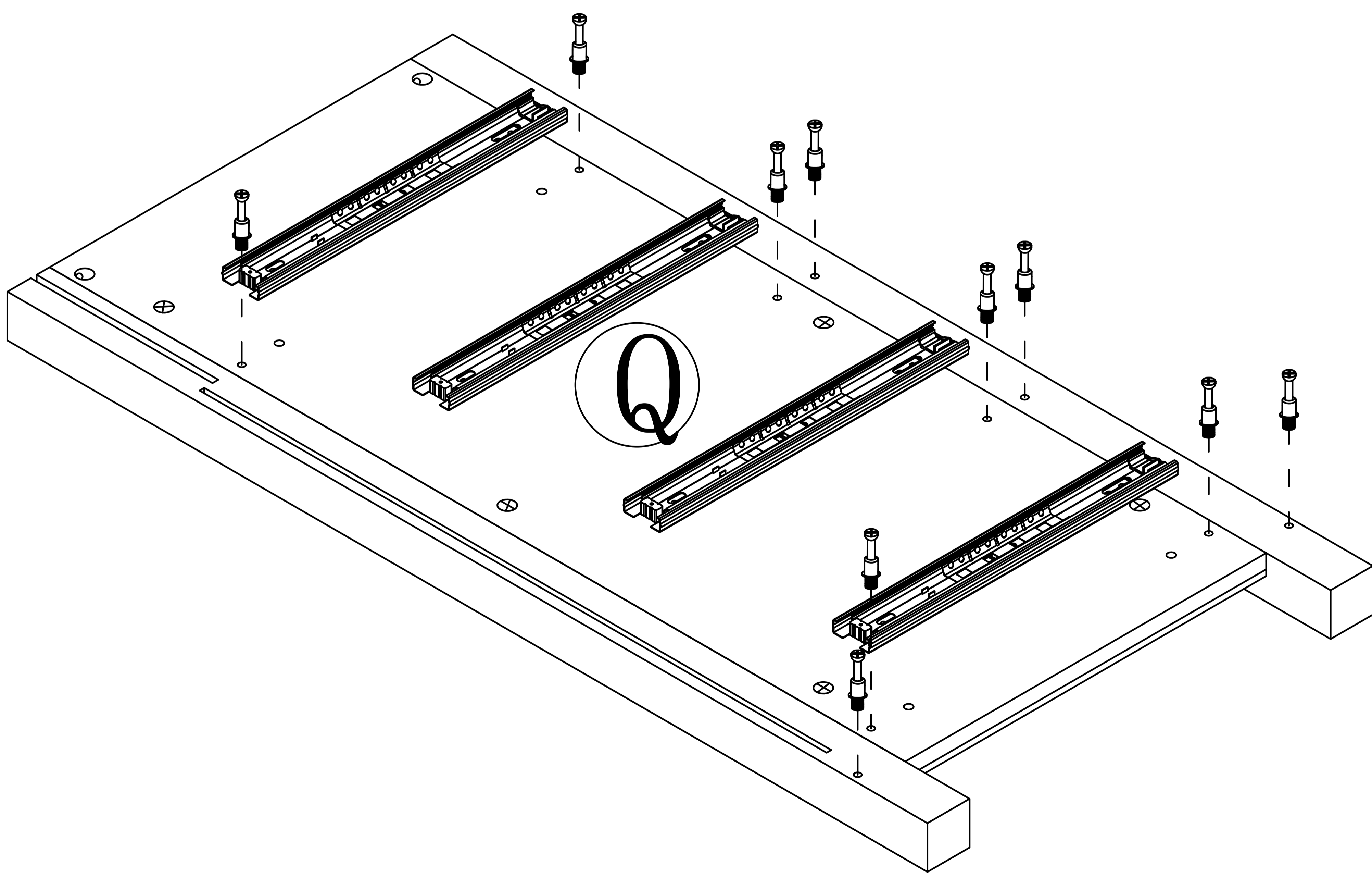
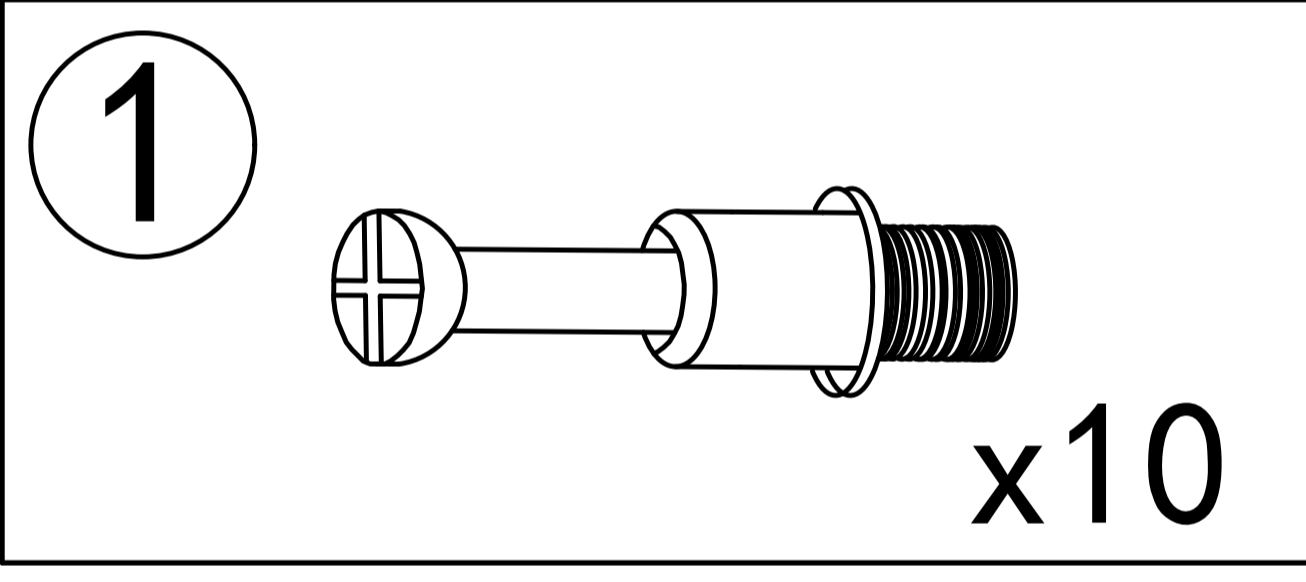
Fold it up for better installation of the guide rail, attach the back edge of the guide rail to the folded paper, and screw it into the corresponding hole position

Step 34

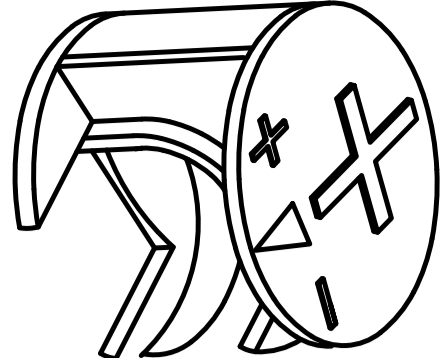


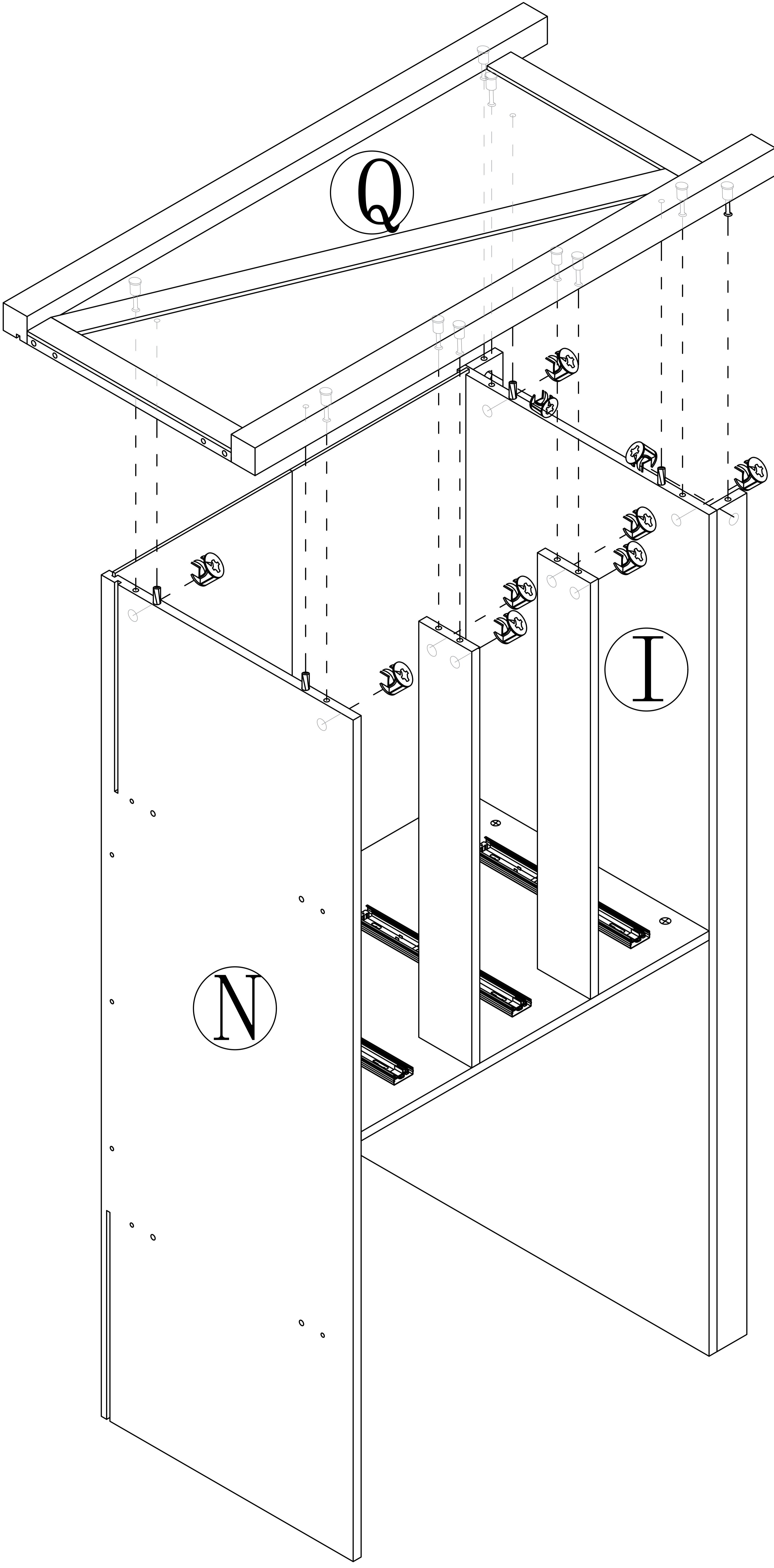
This hole is for strengthening fixed hole customers can choose to install according to their needs.

Step 35

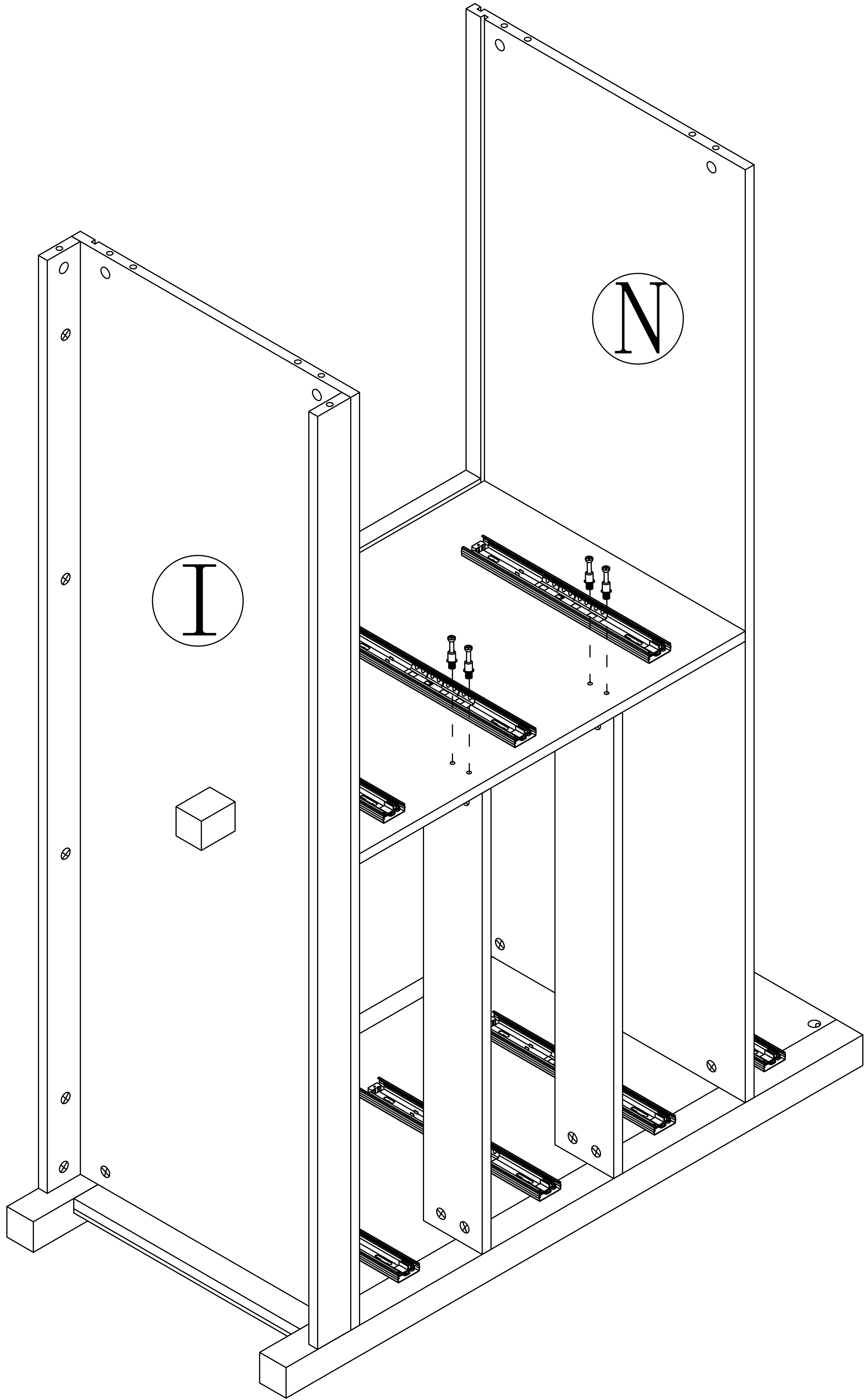
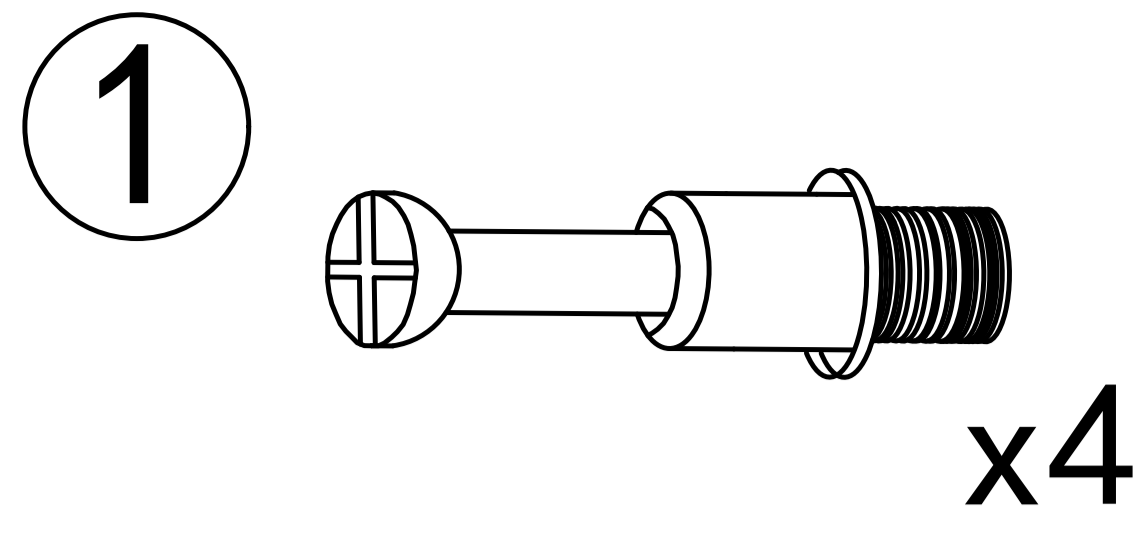


Step 36

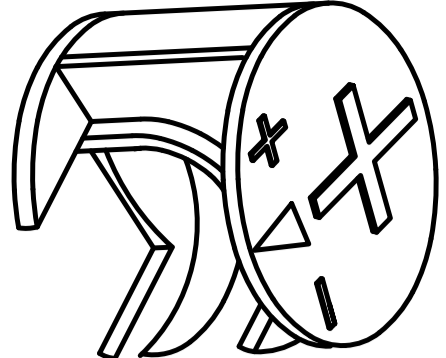
2  x10

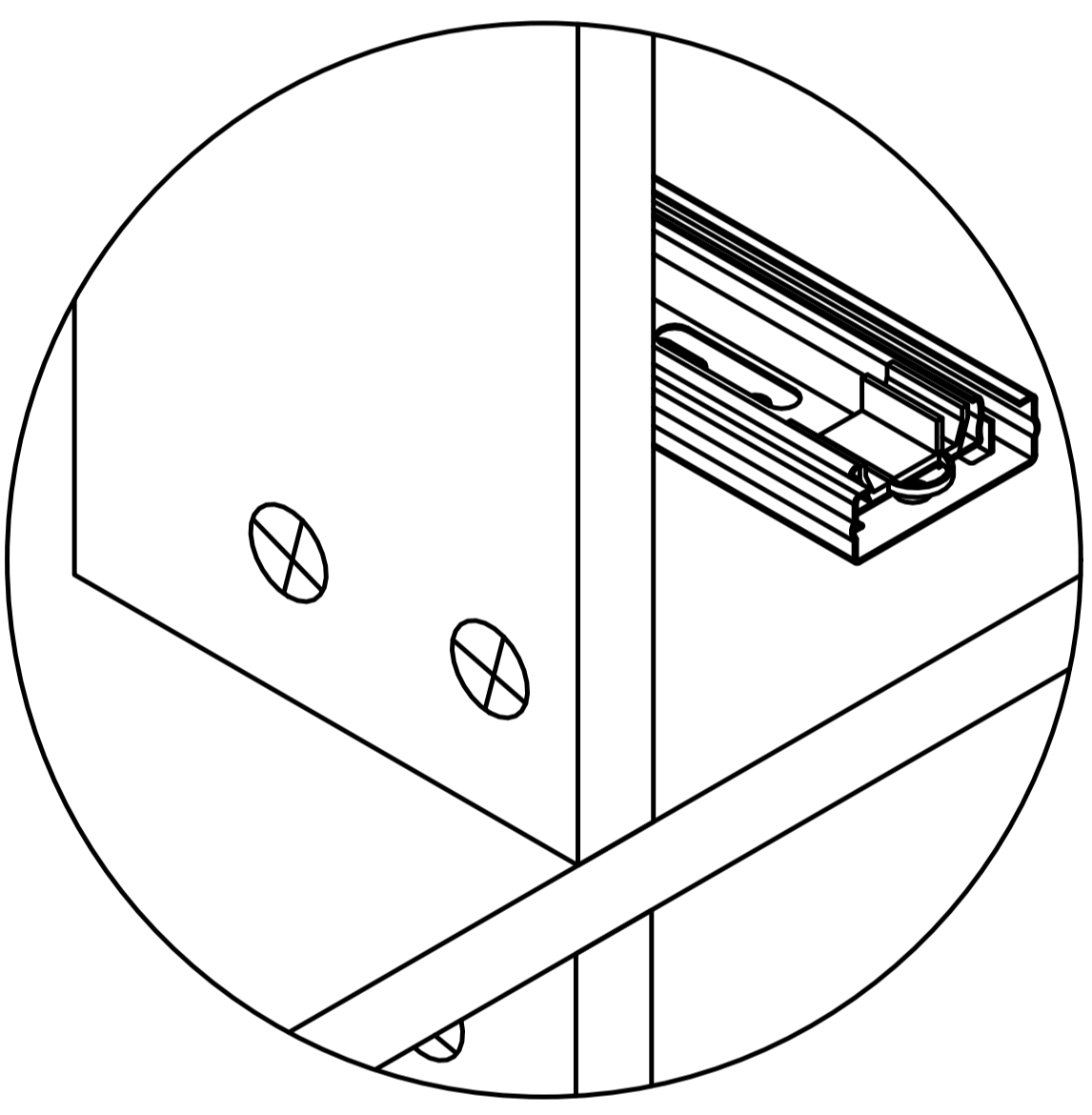
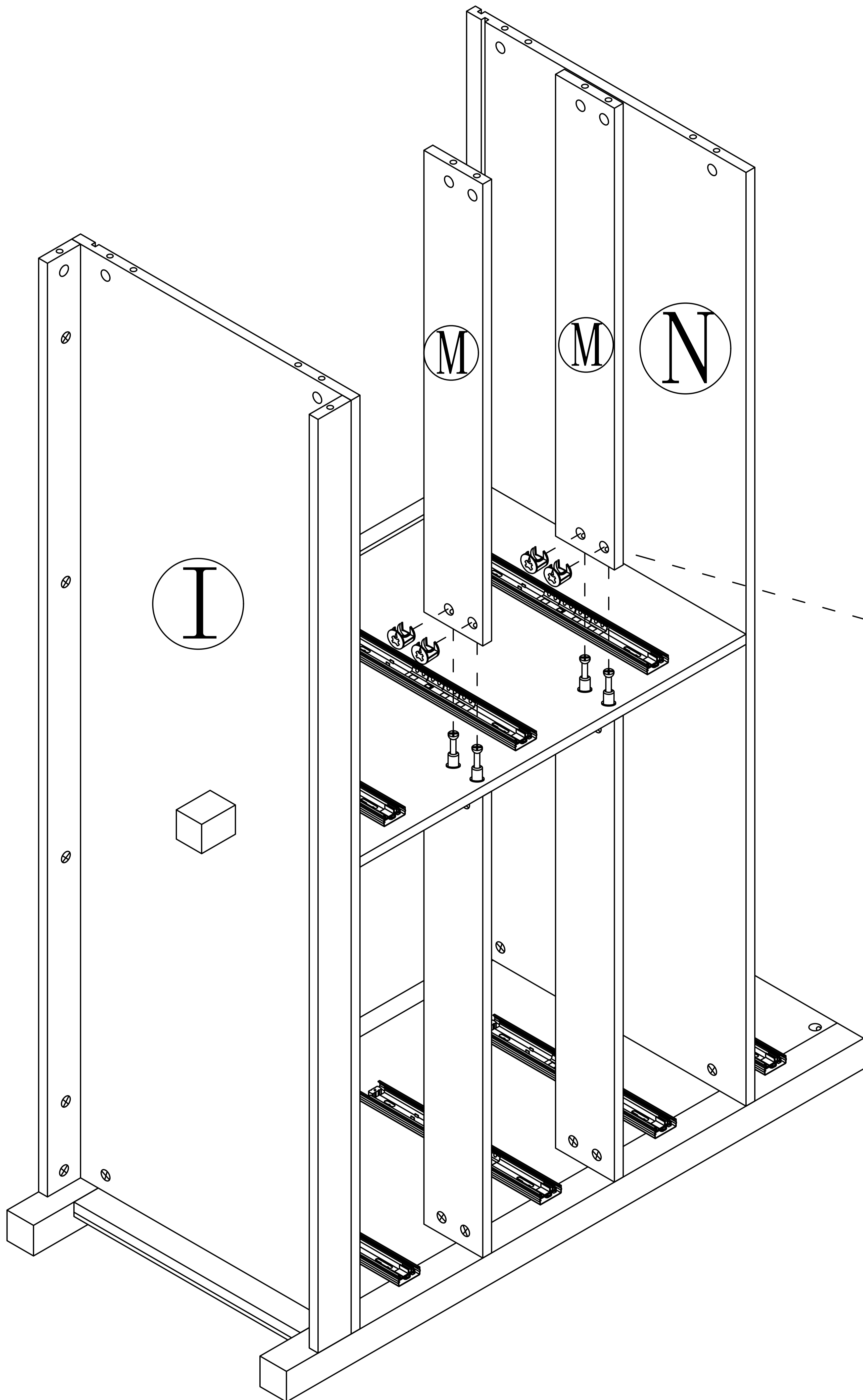


Step 37

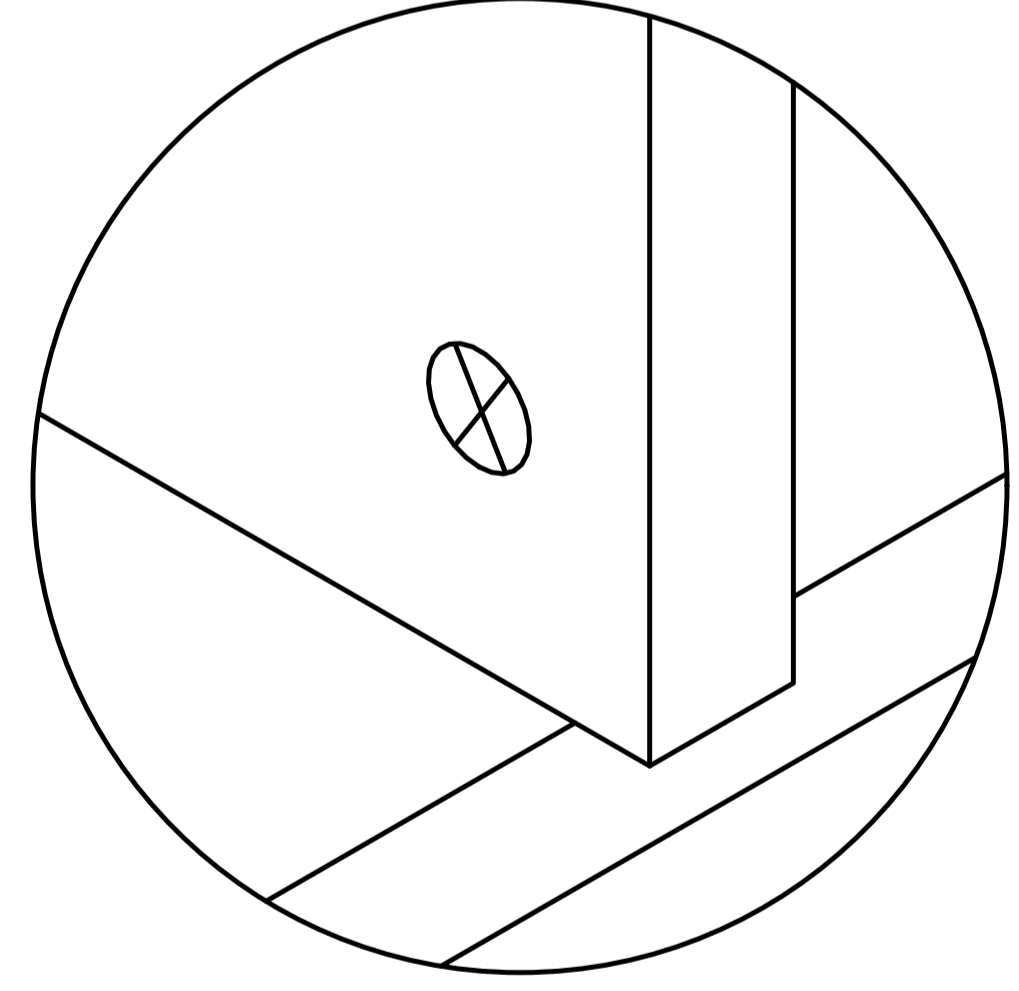


Step 38

2  x4

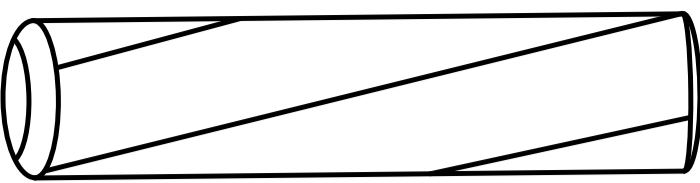


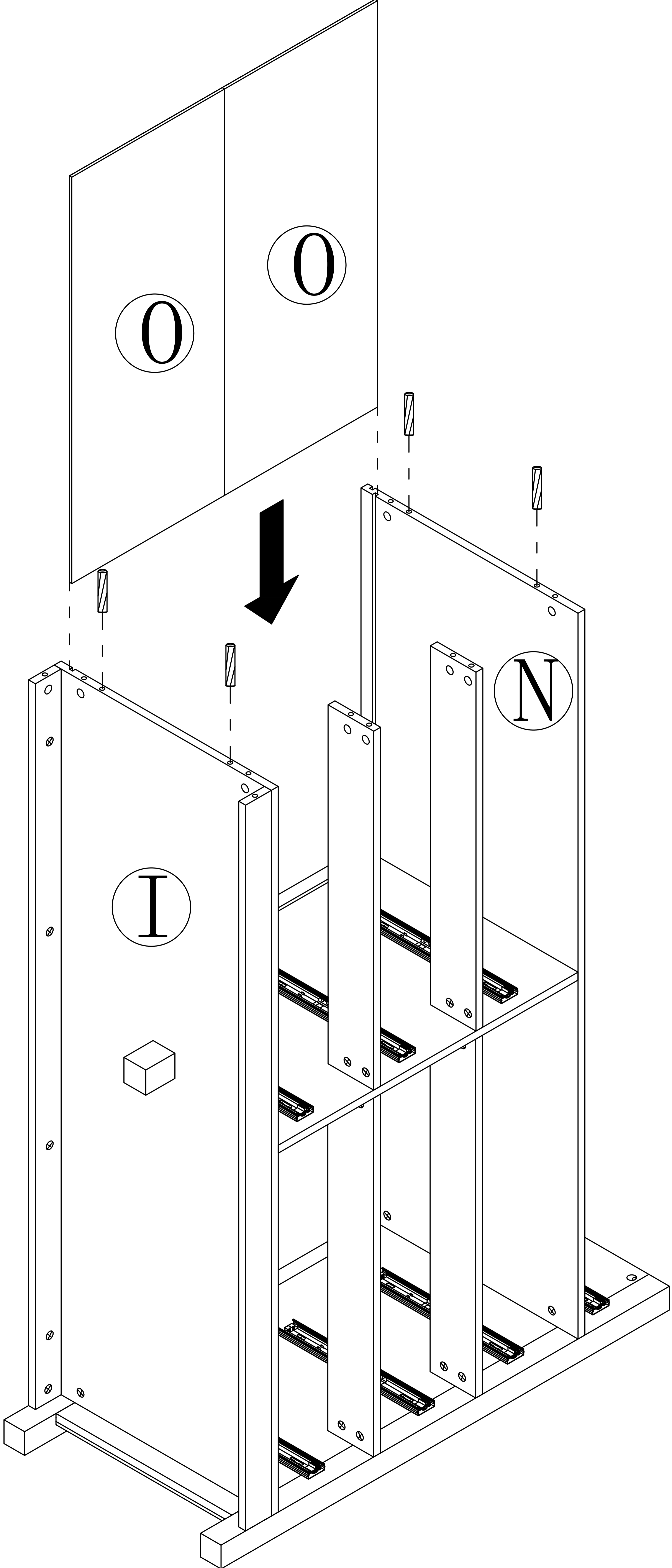
Proper installation



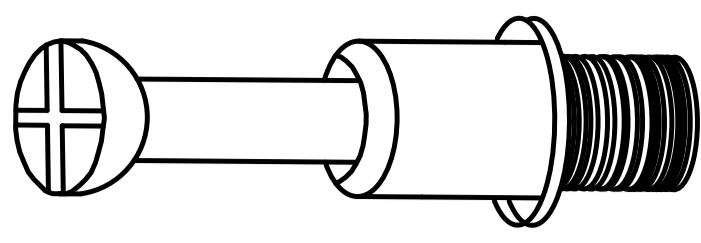
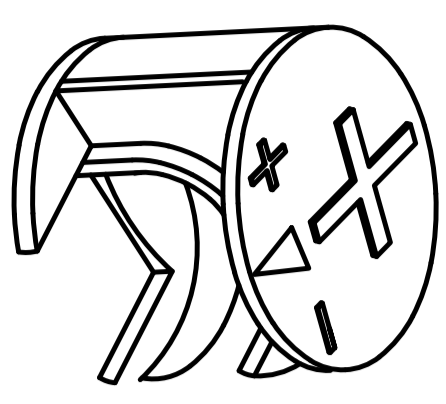
Incorrect installation

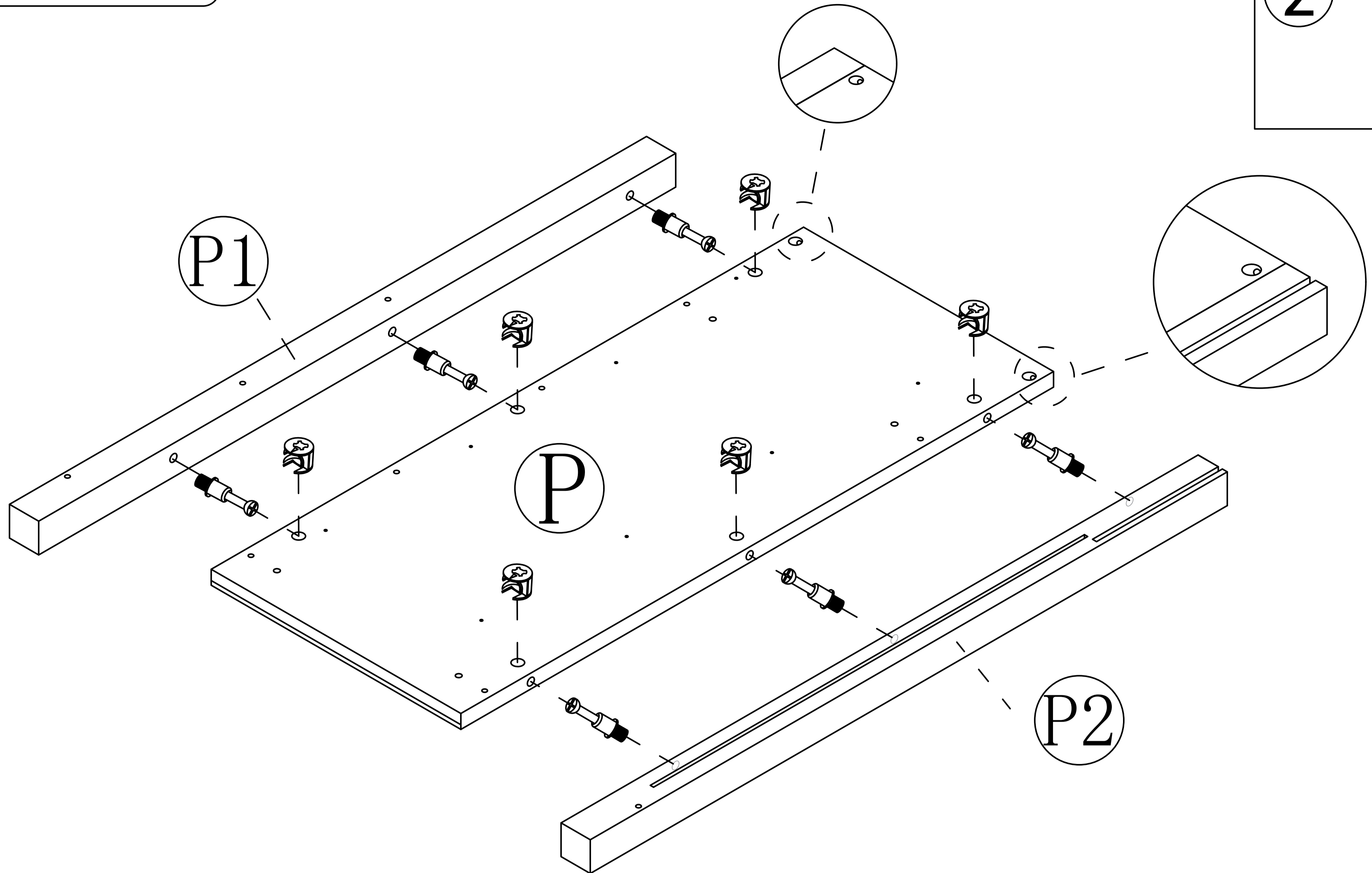
Step 39

3  x4



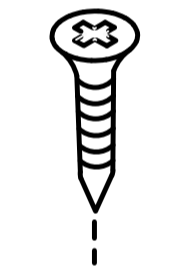
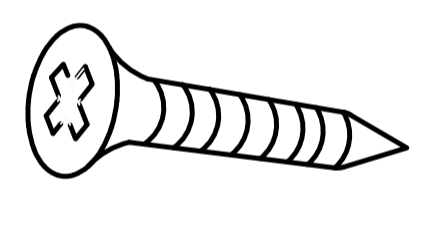
Step 40

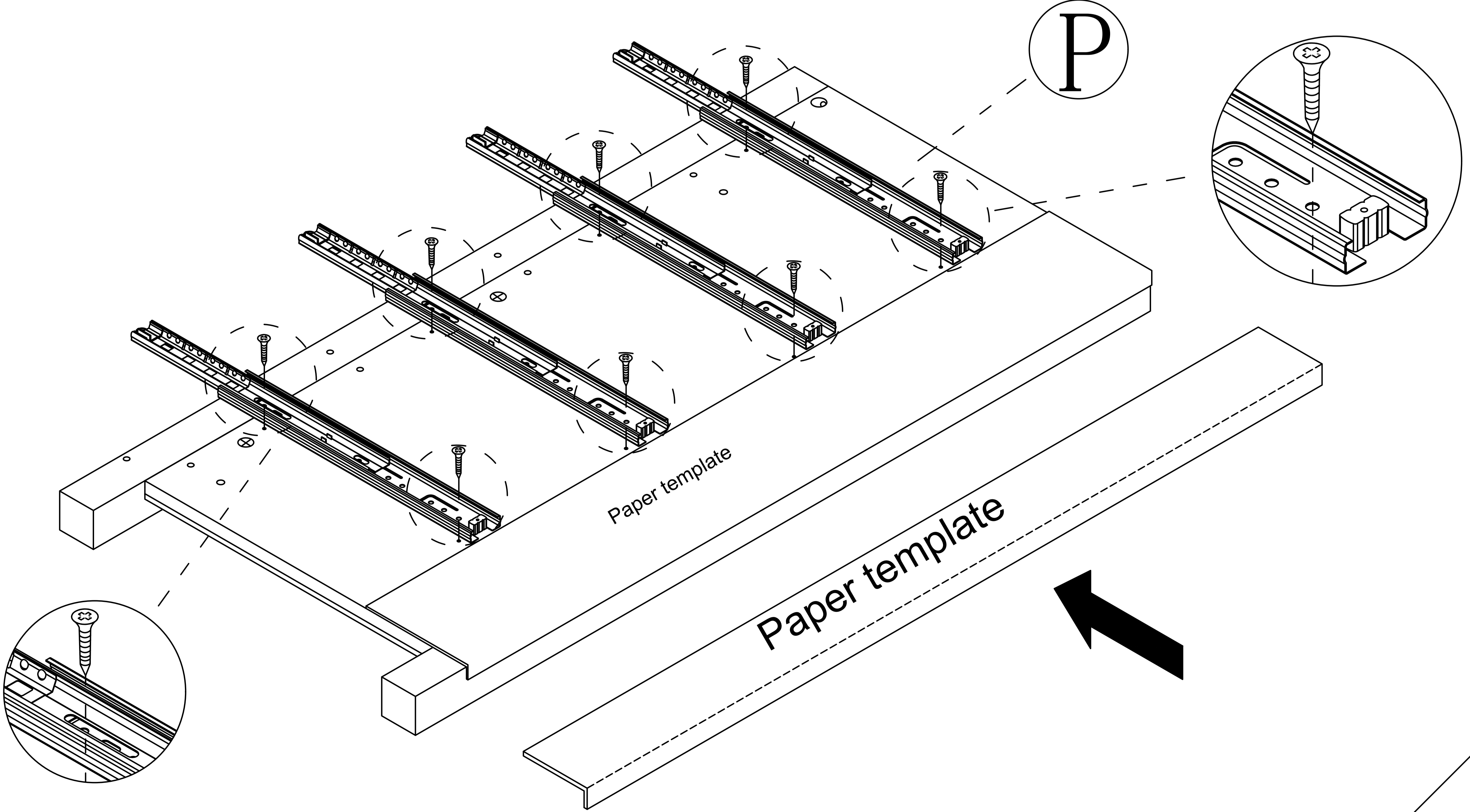
- 1  x6
- 2  x6



Attention: First install the two in one, then install the nut

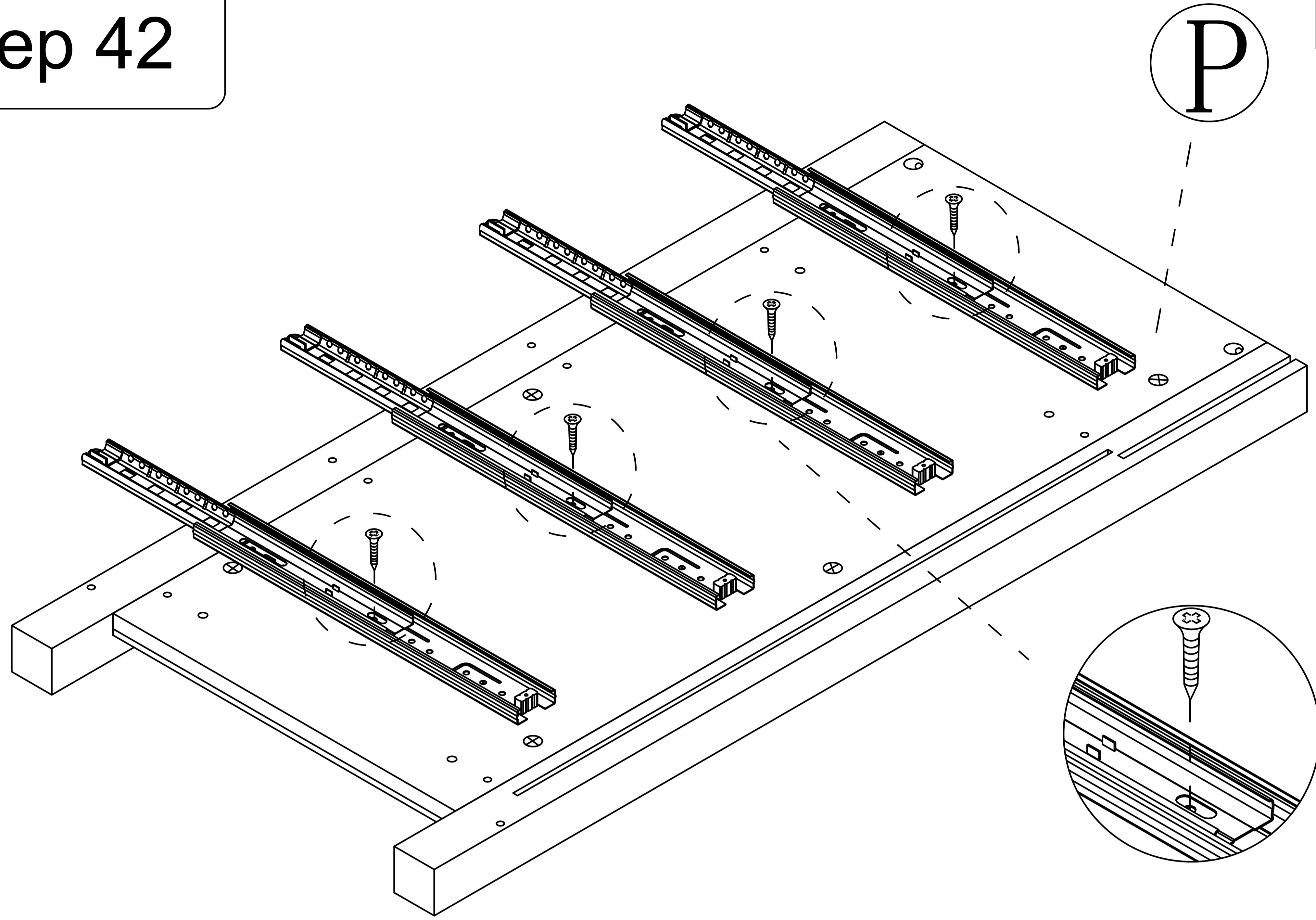
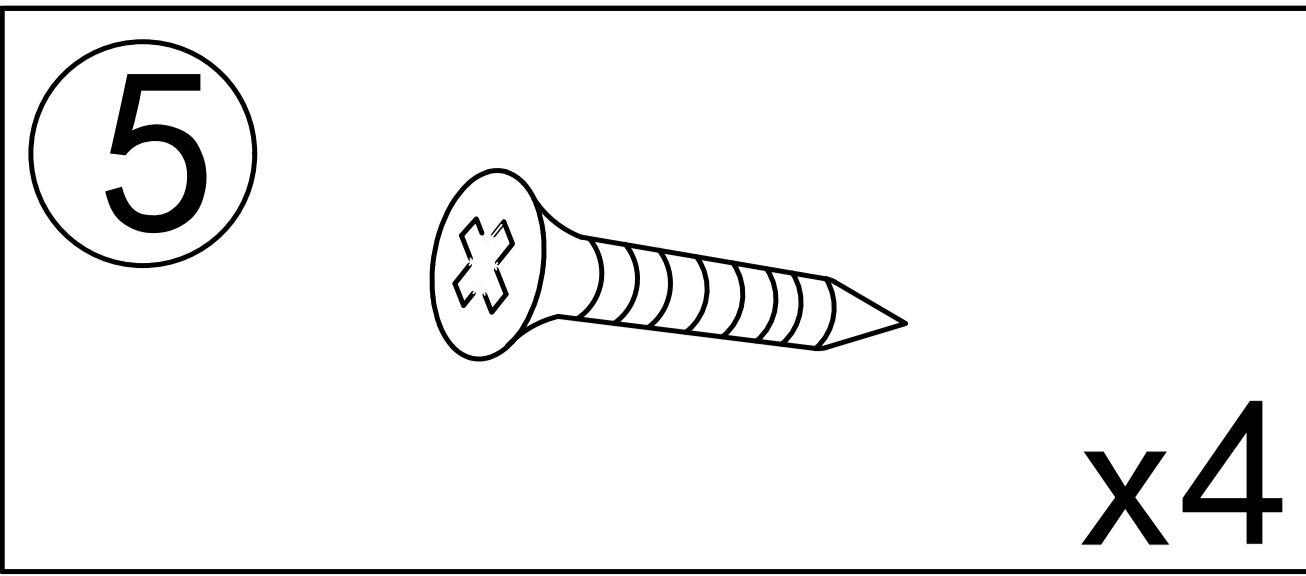
Step 41

- 5  x4  x8



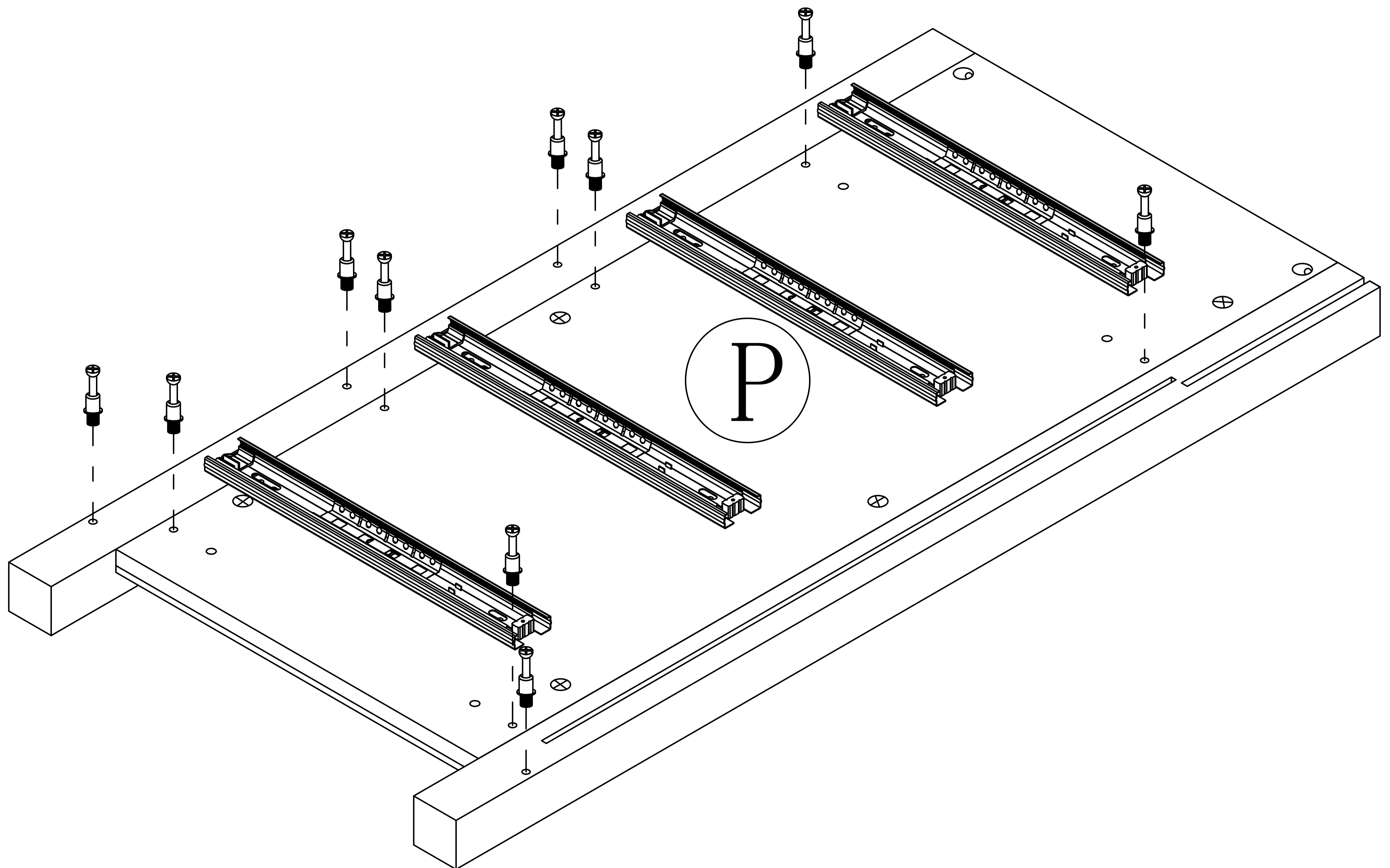
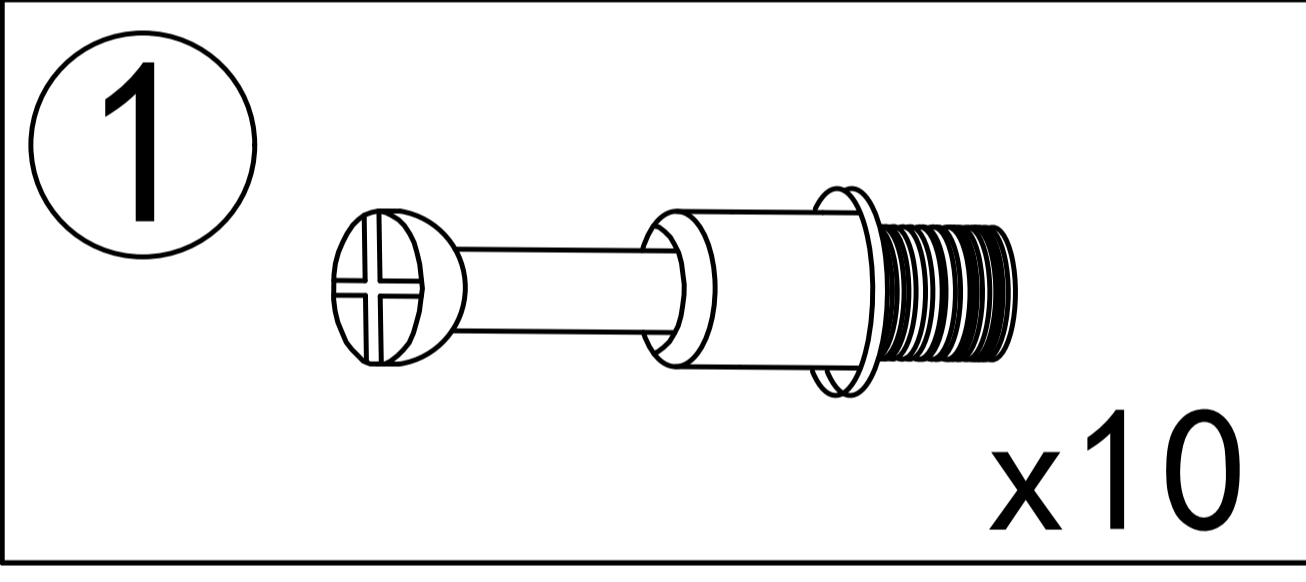
Fold it up for better installation of the guide rail, attach the back edge of the guide rail to the folded paper, and screw it into the corresponding hole position

Step 42

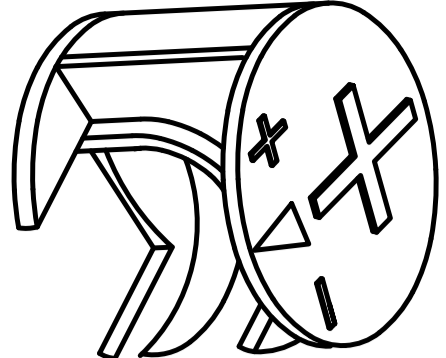


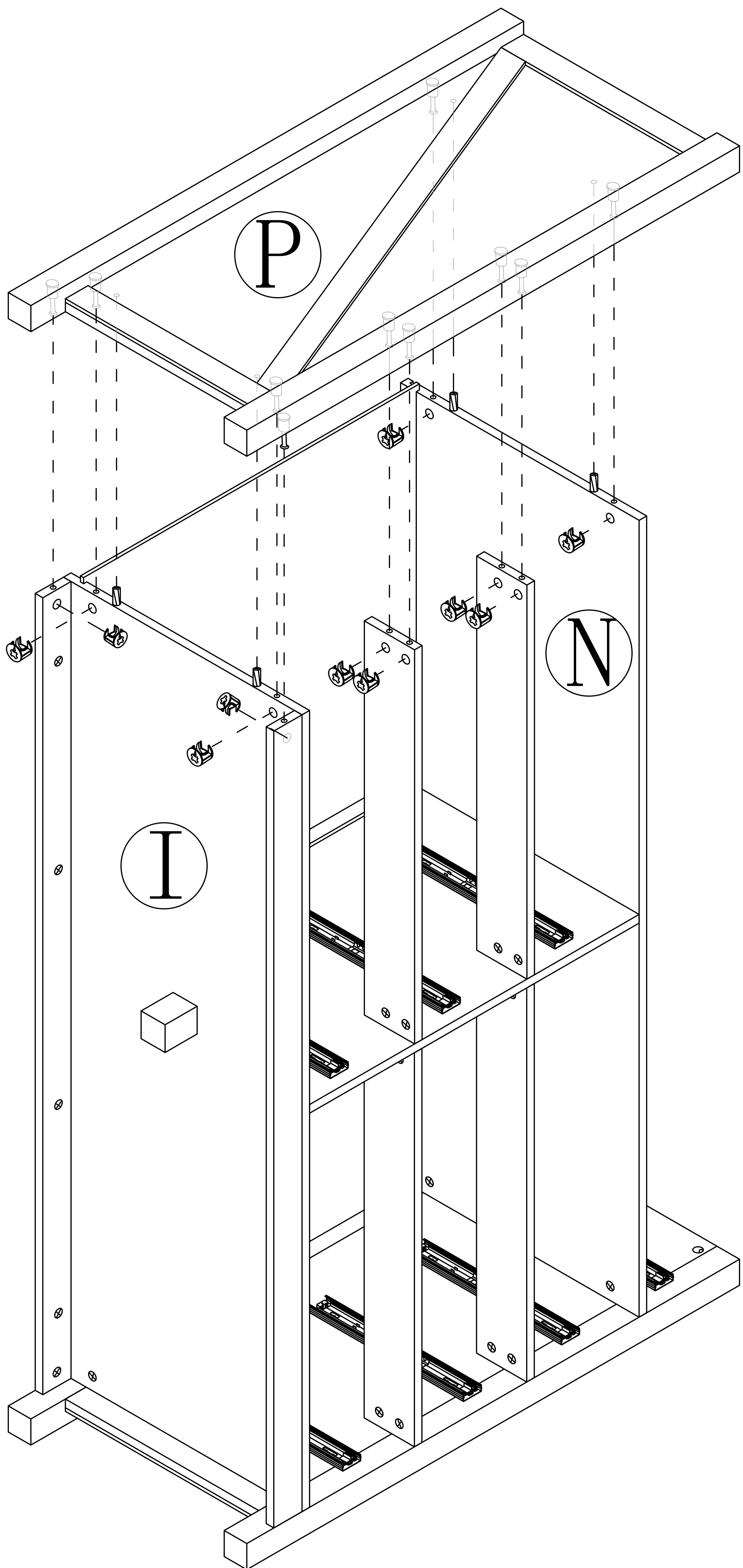
This hole is for strengthening fixed hole customers can choose to install according to their needs.

Step 43



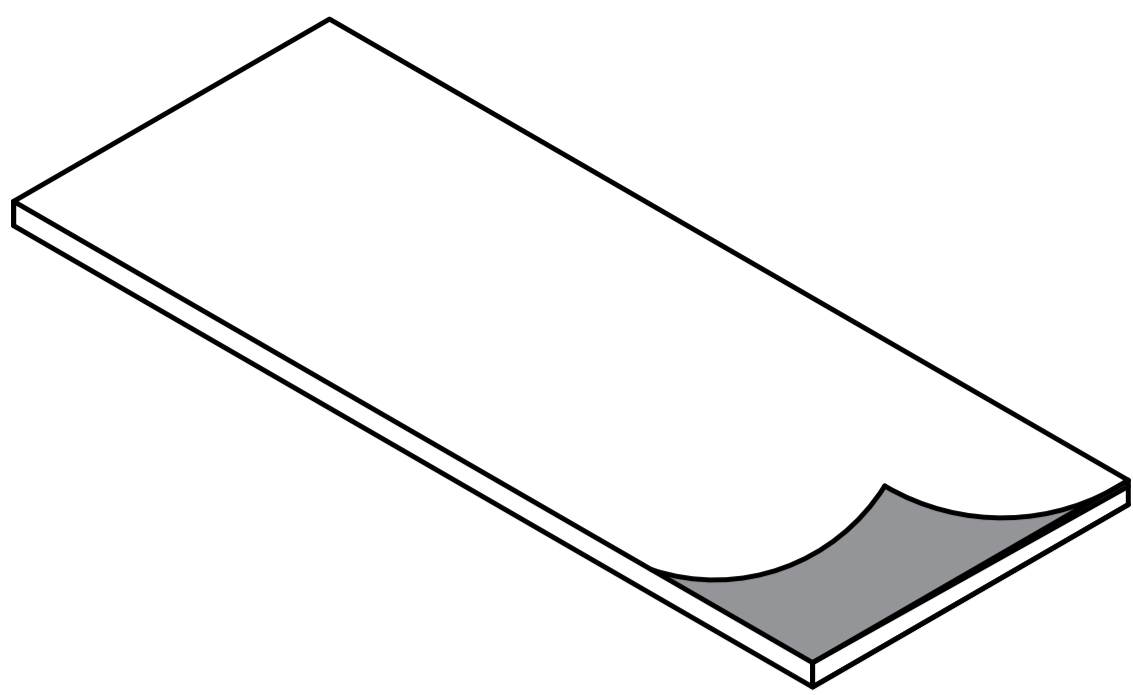
Step 44

2  x10



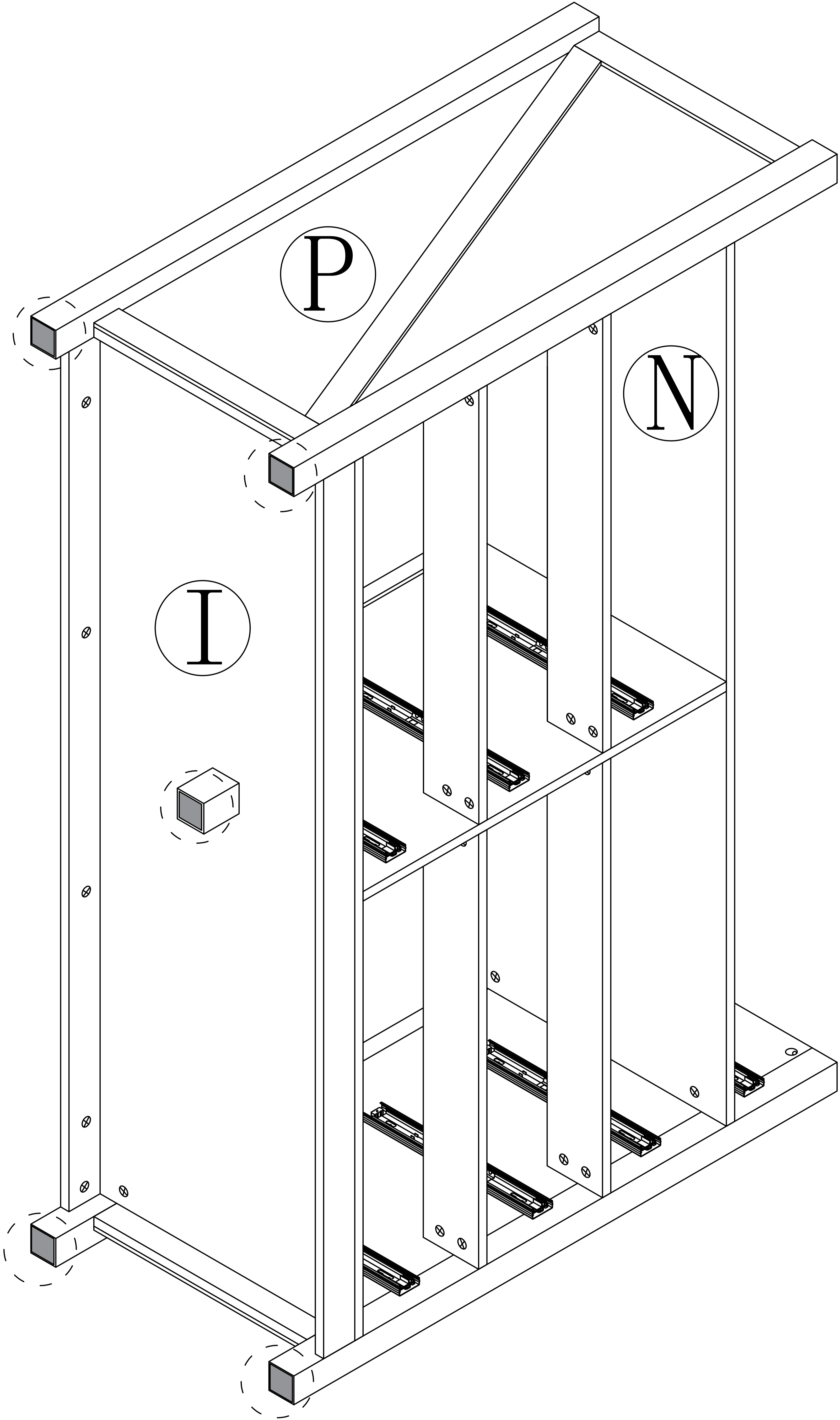
Step 45

6

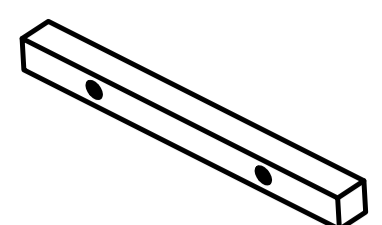
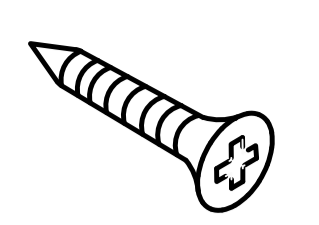


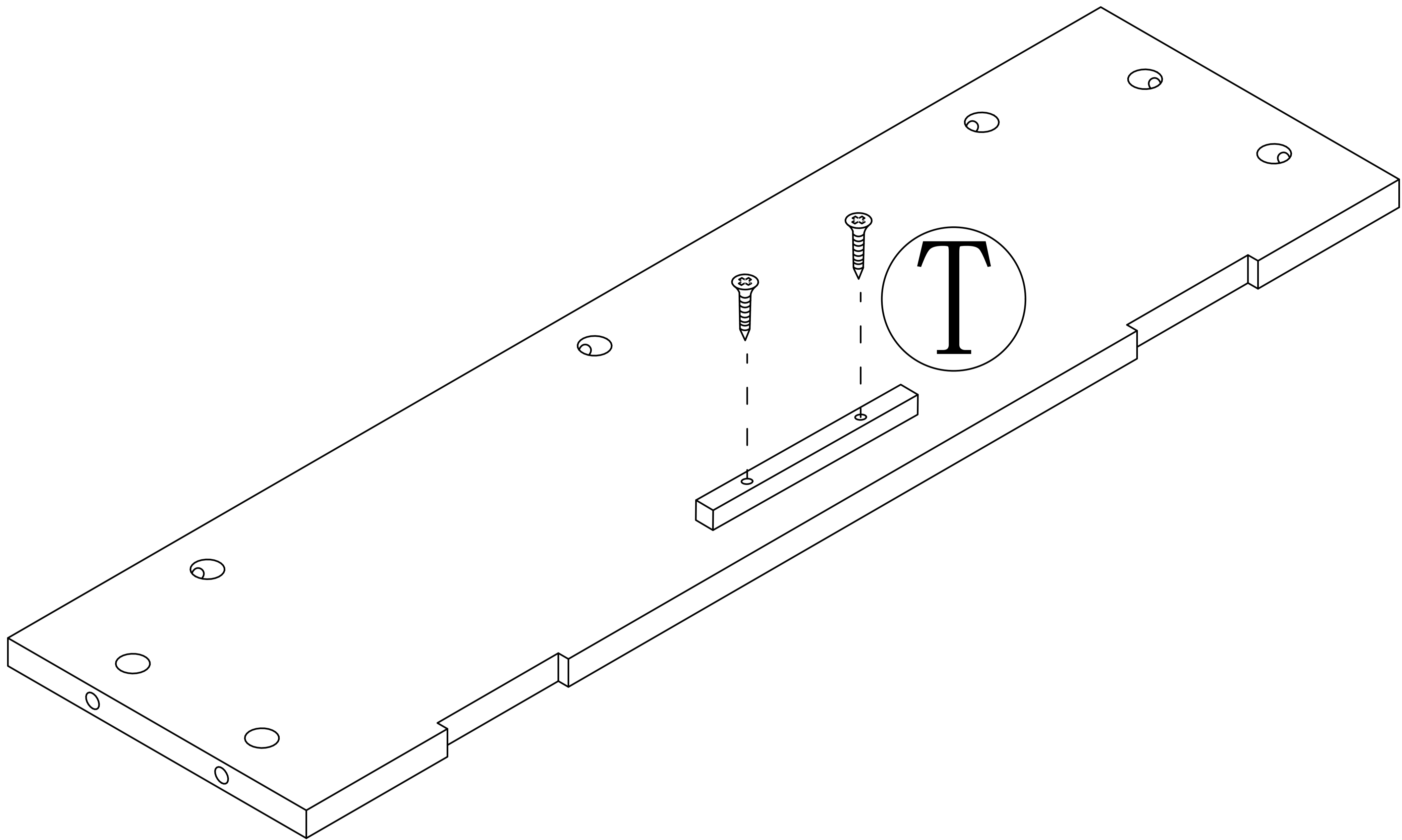
x5

Tear off release paper and stick the black foot pad on the board

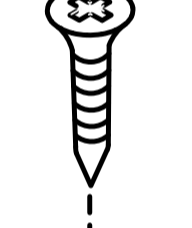
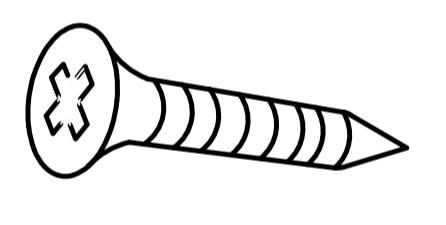


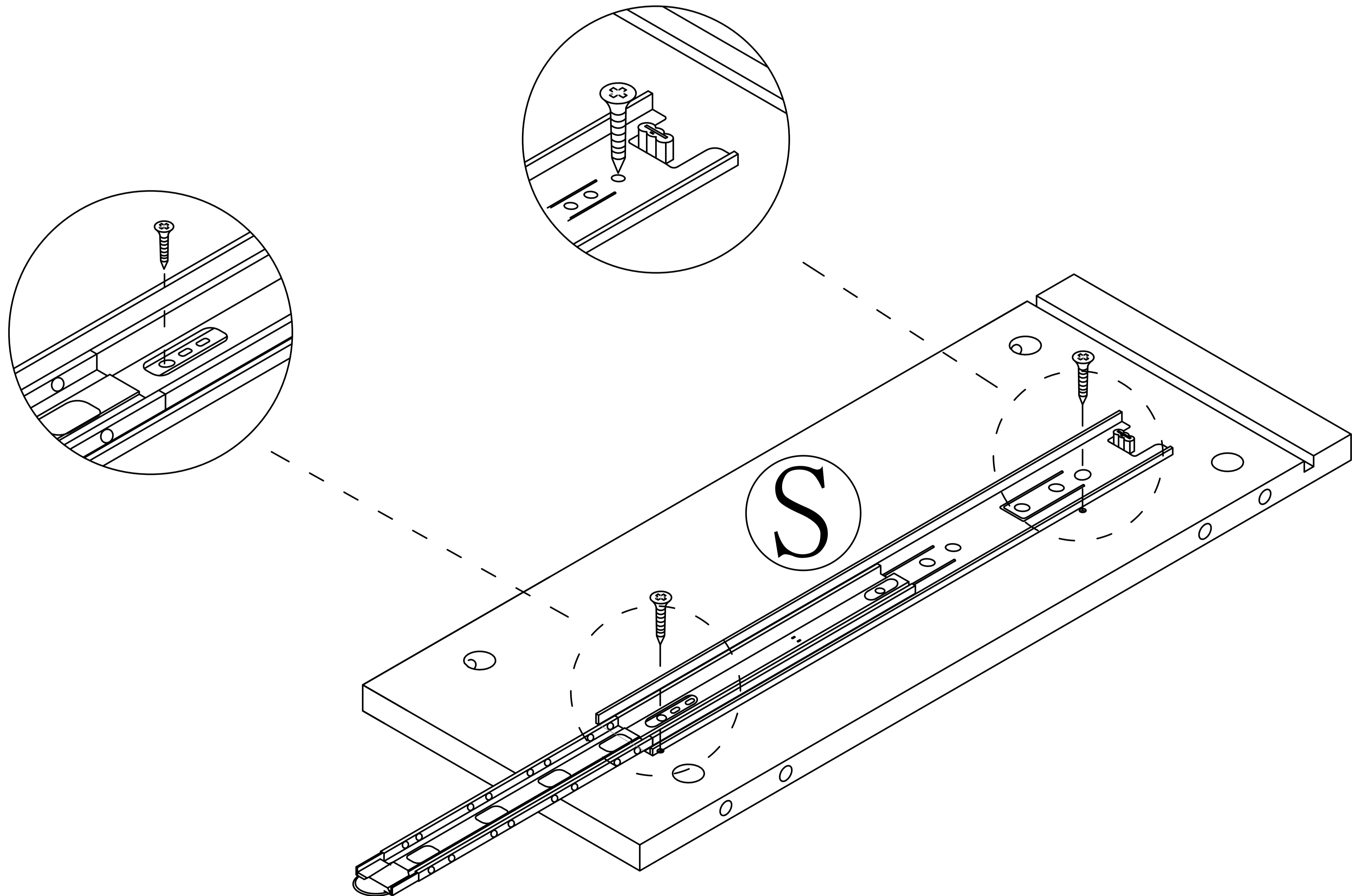
Step 46

10  x1  x2



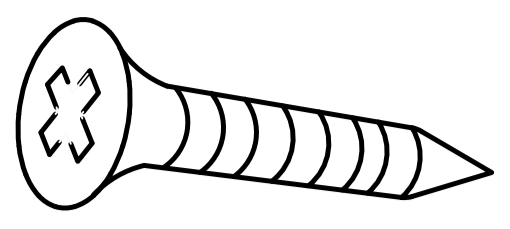
Step 47

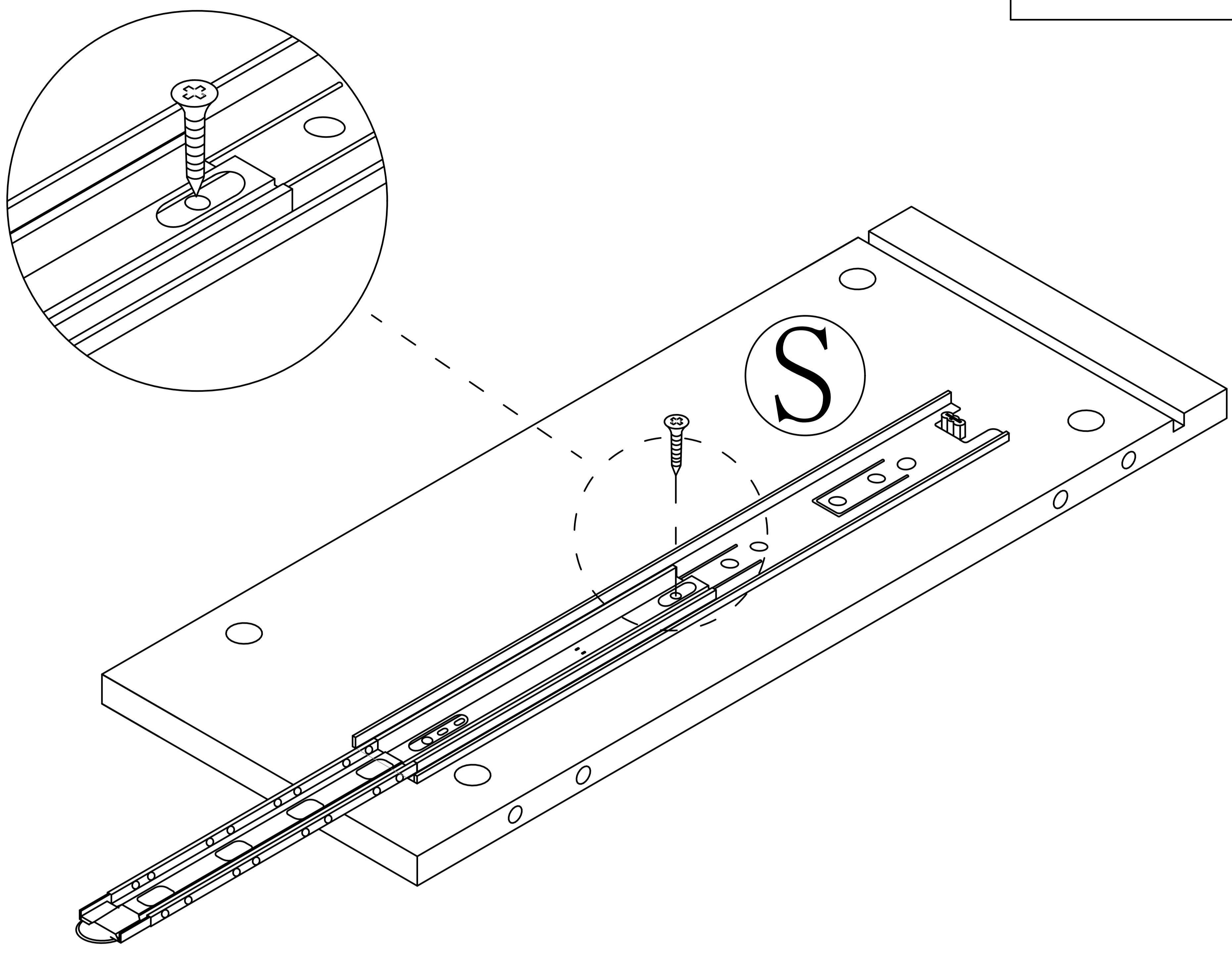
5  x1  x2



Paper templates can also be used here

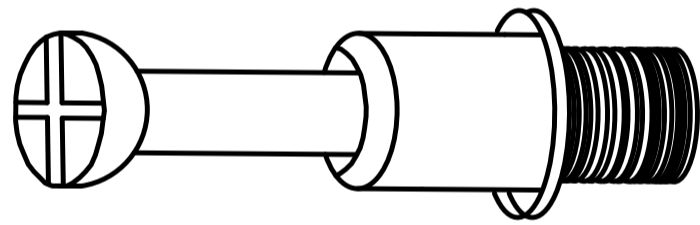
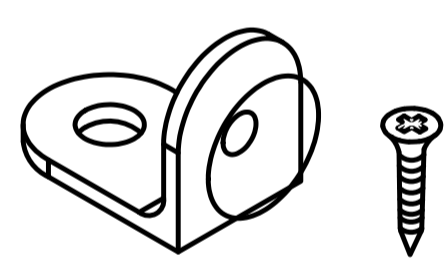
Step 48

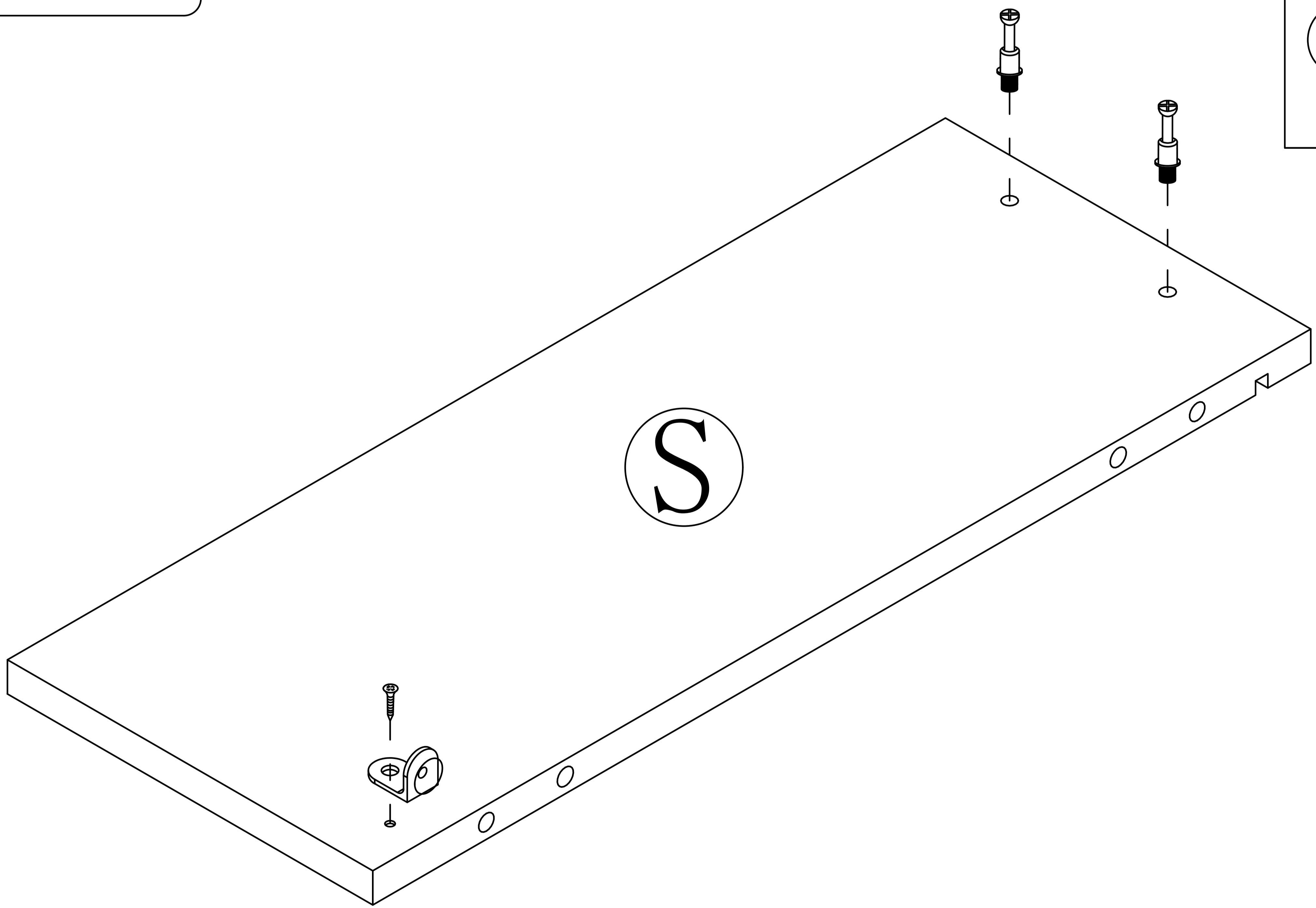
5  x1



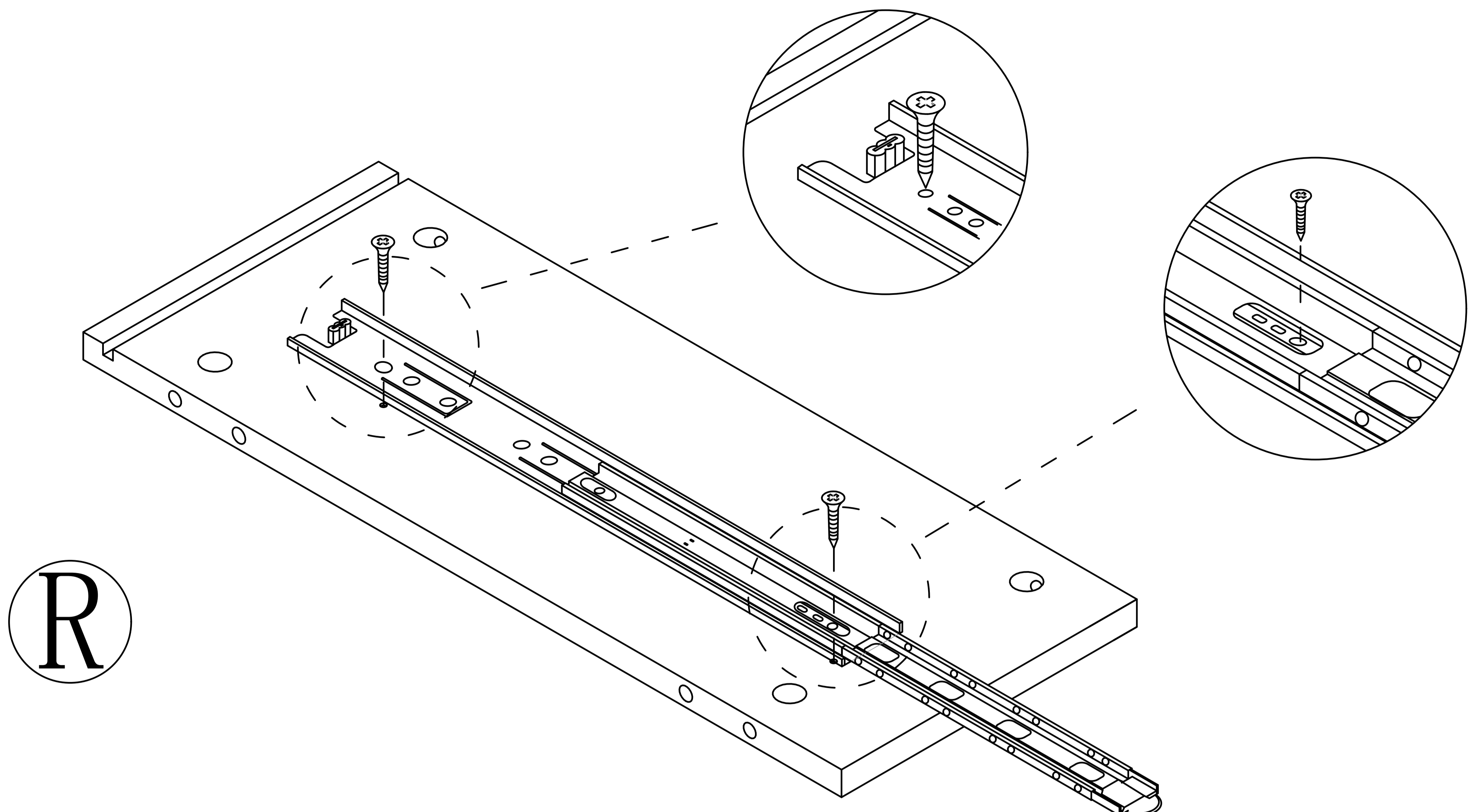
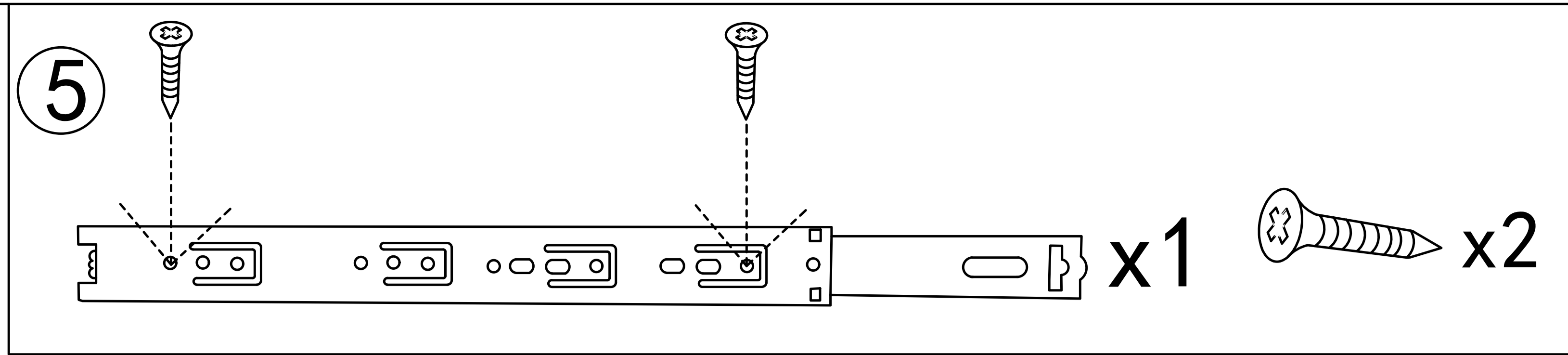
This hole is for strengthening fixed hole customers can choose to install according to their needs.

Step 49

1  x2
14  x1



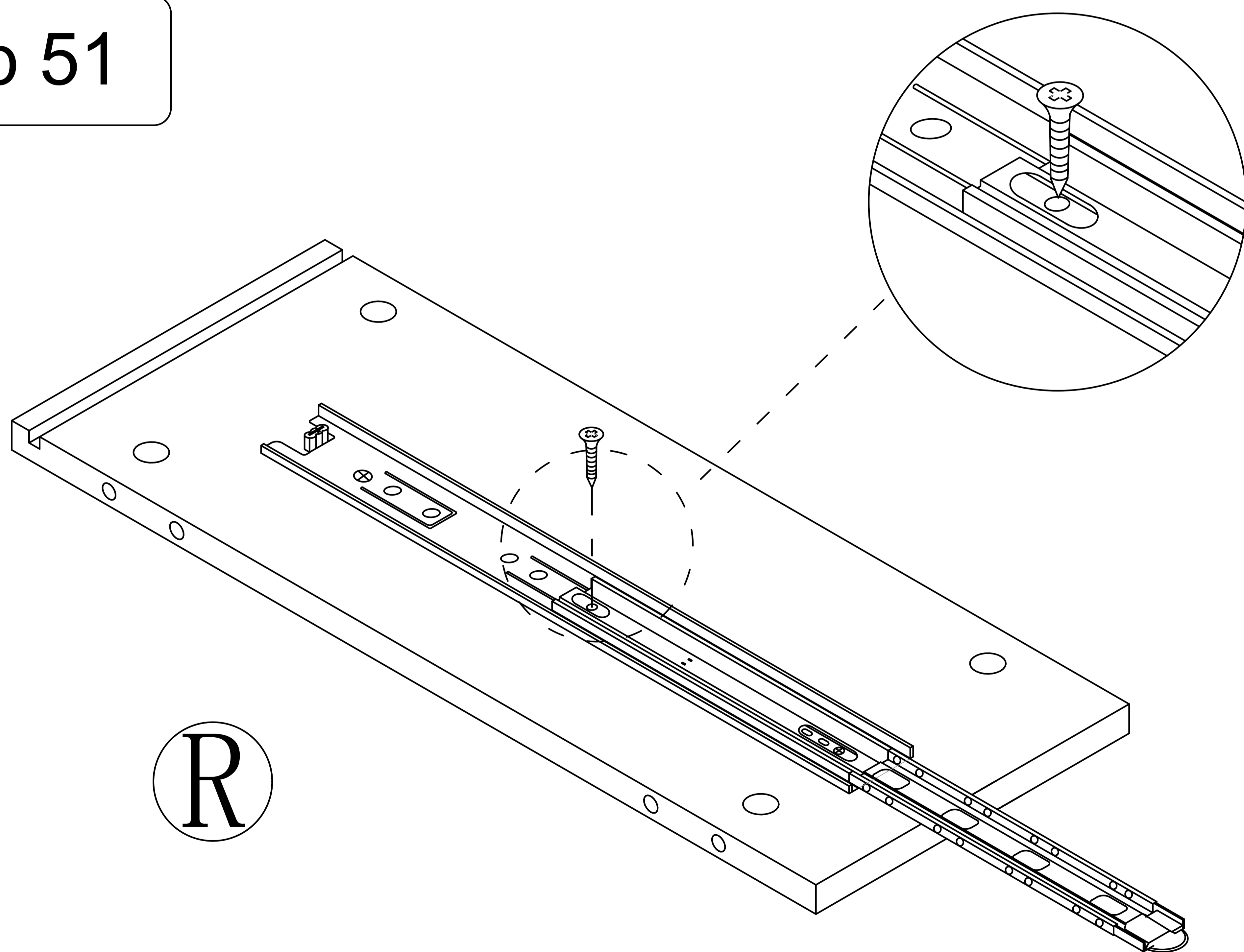
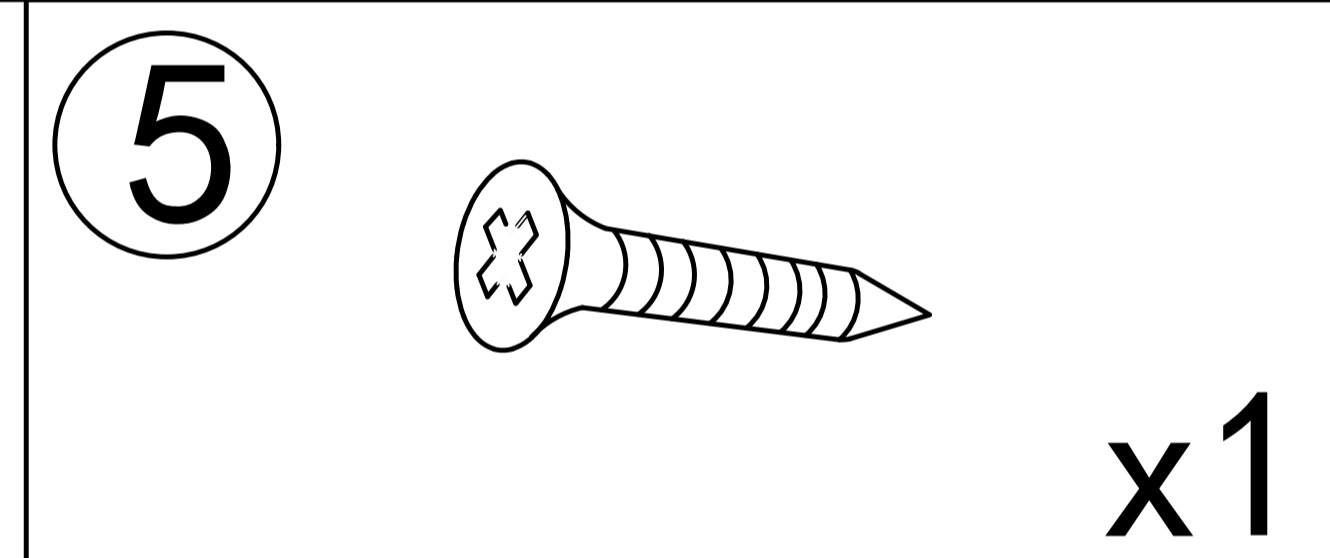
Step 50



Paper templates can also be used here

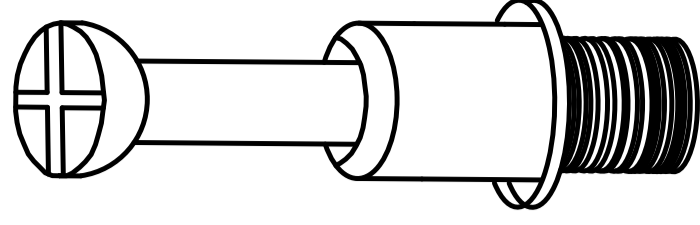
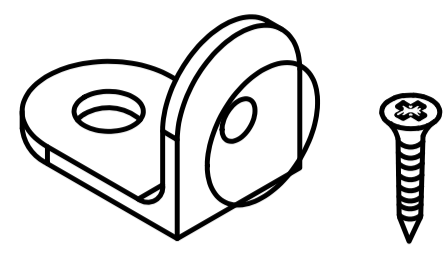
Paper templates are disposable items that can be discarded after use

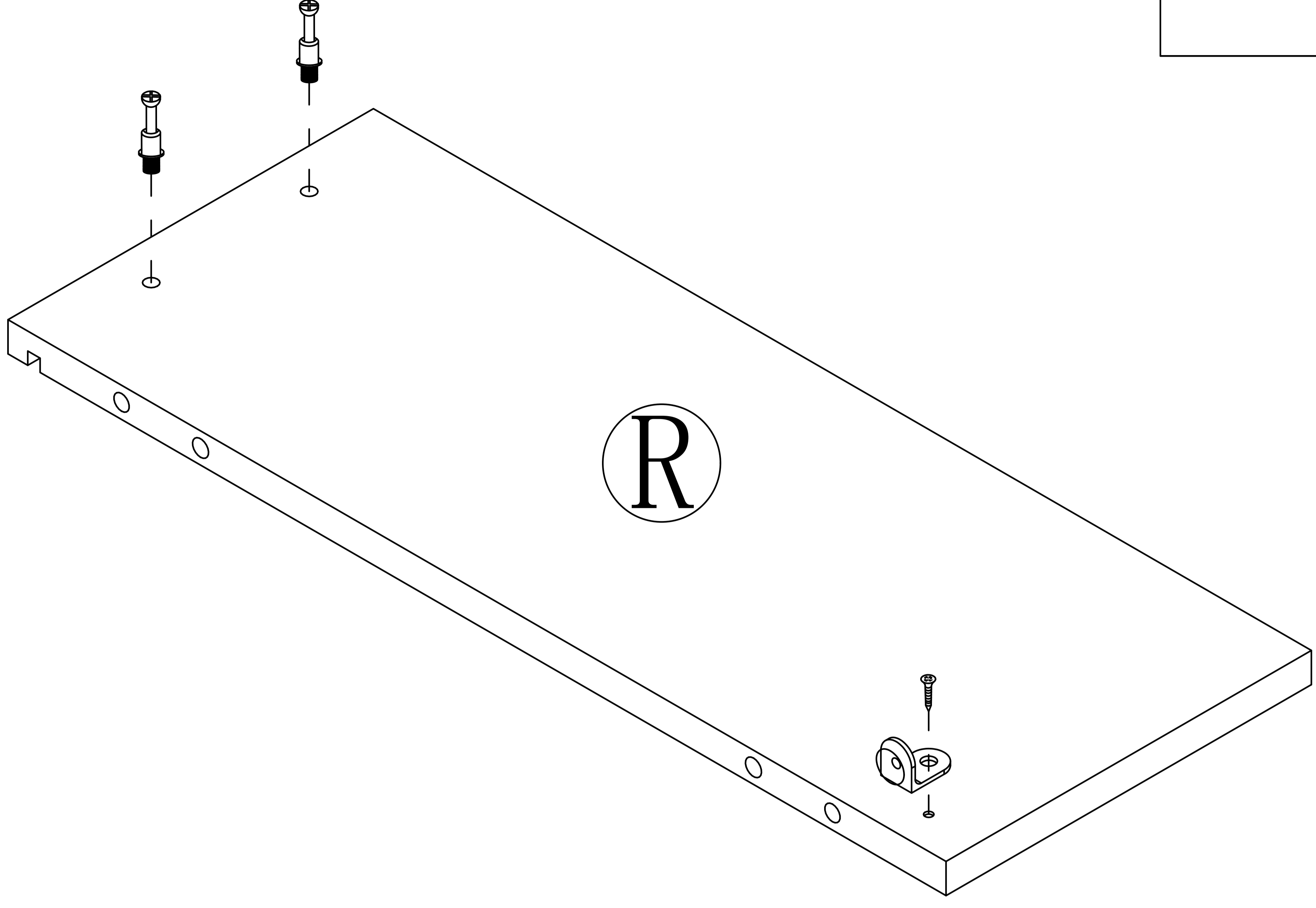
Step 51



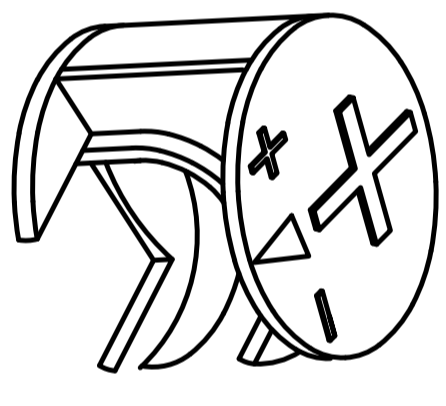
This hole is for strengthening fixed hole customers can choose to install according to their needs.

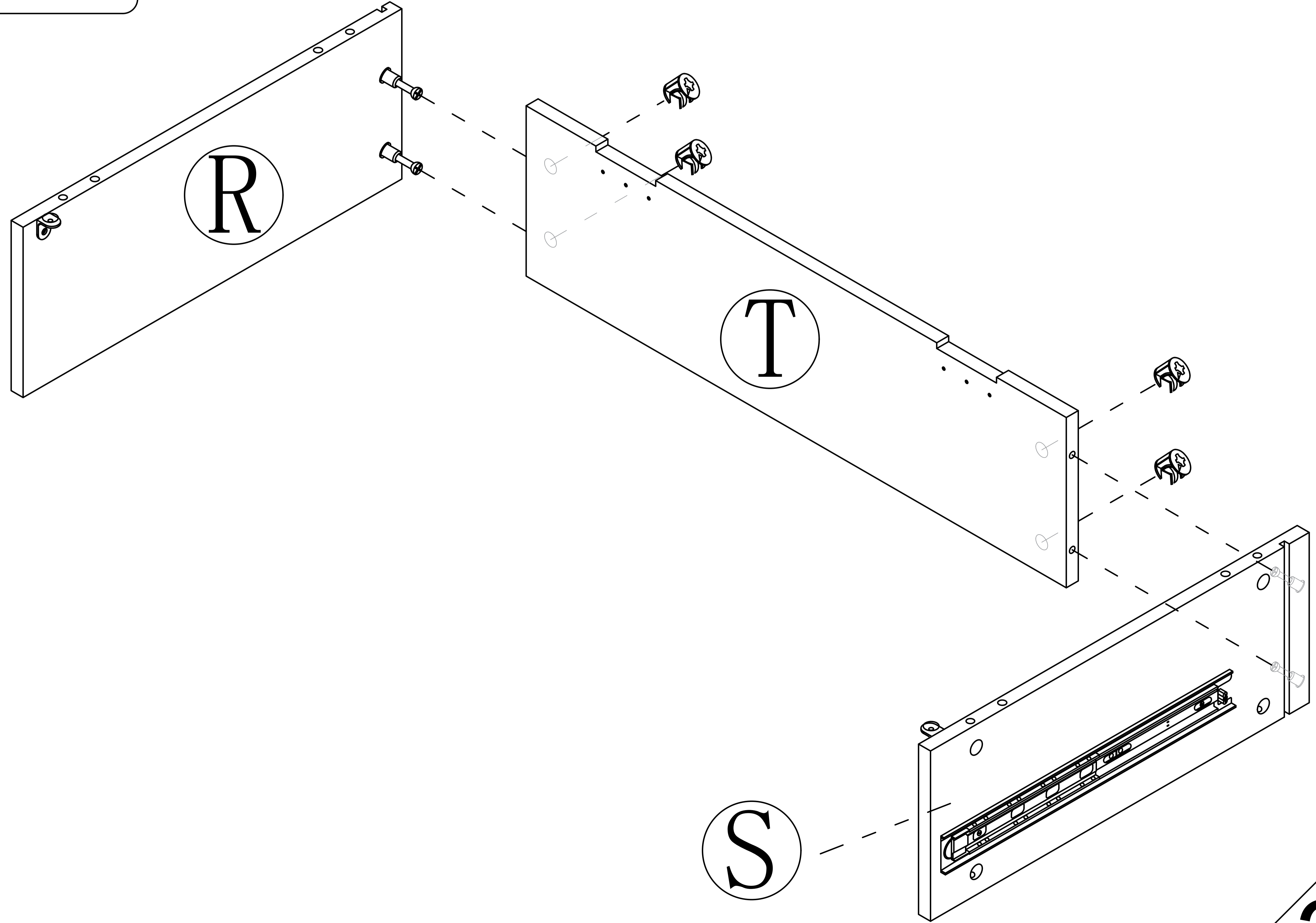
Step 52

- 1  x2
- 14  x1

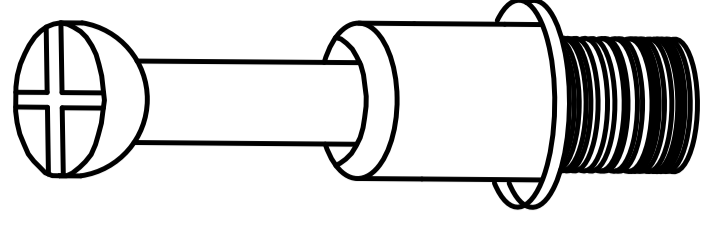
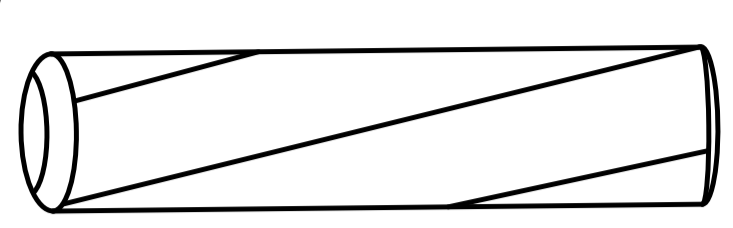


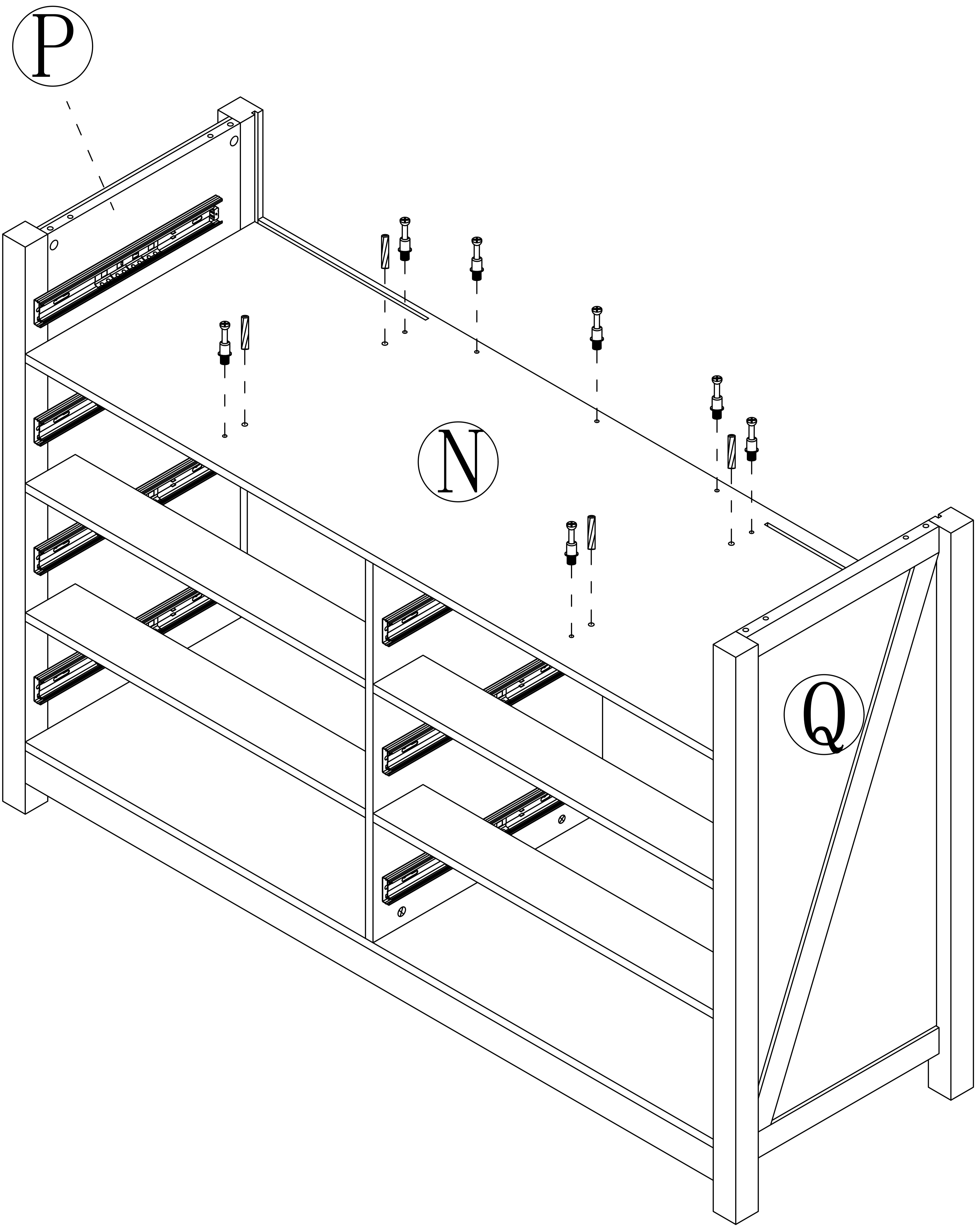
Step 53

- 2  x4

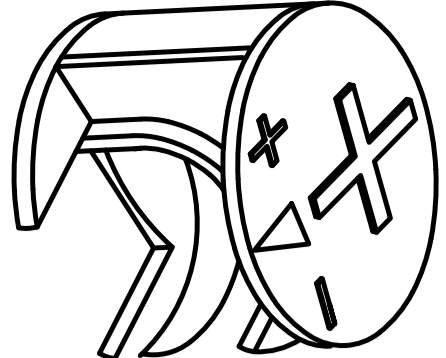


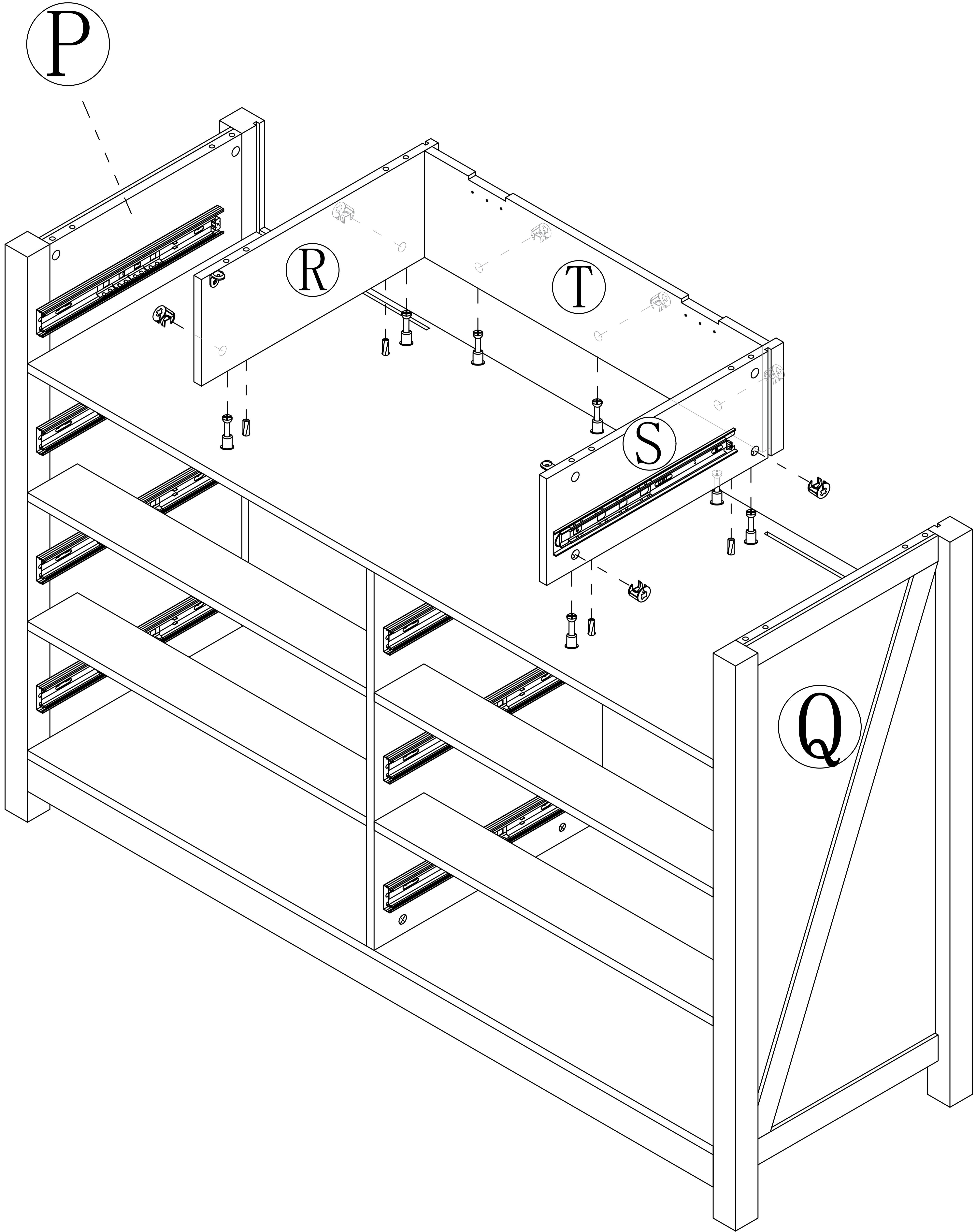
Step 54

- ①  x7
- ③  x4

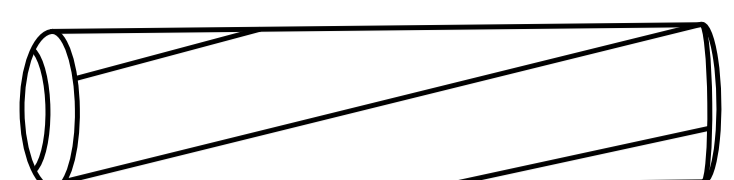


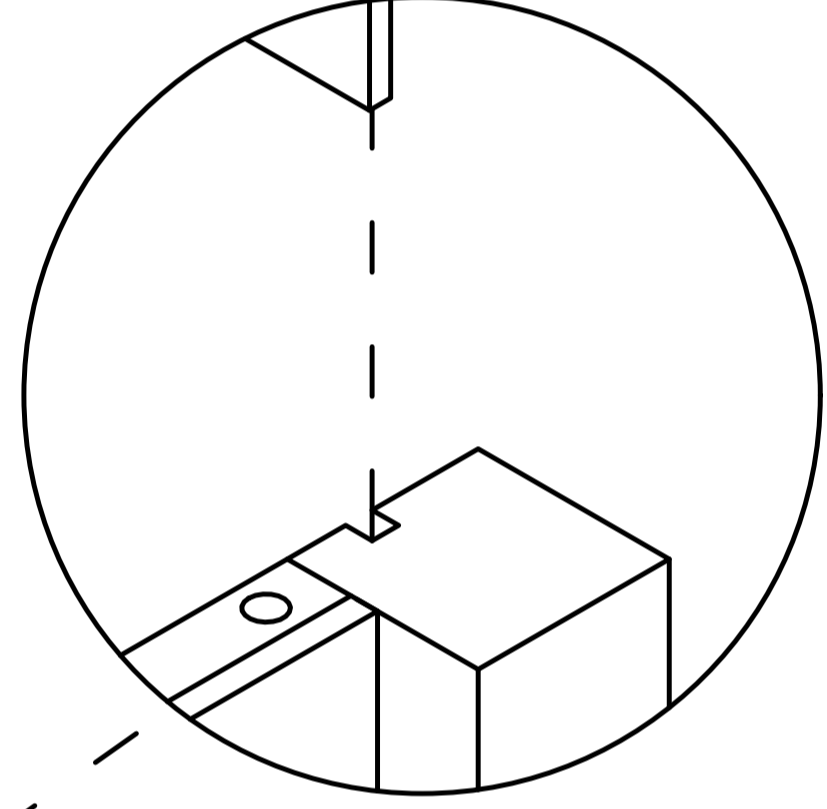
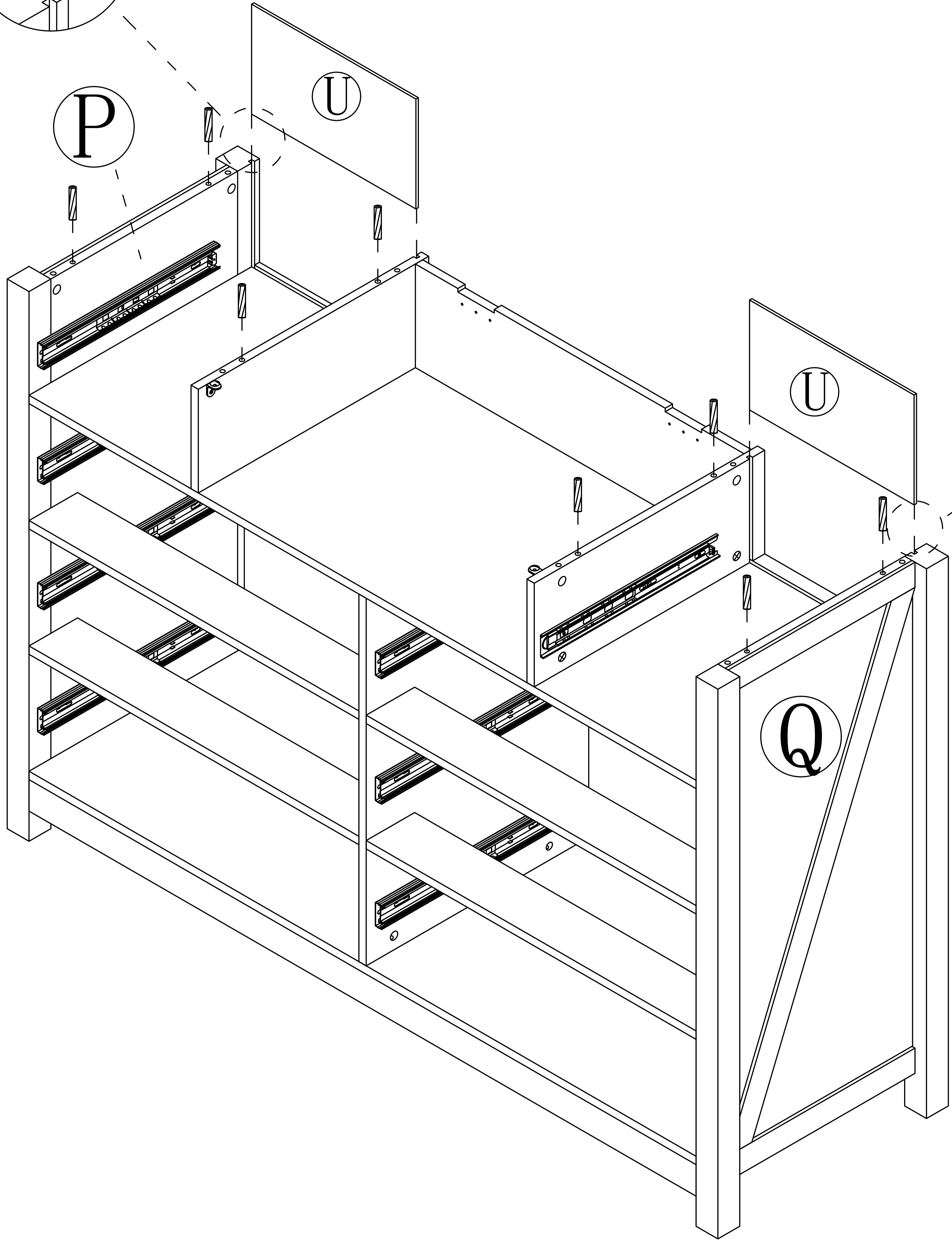
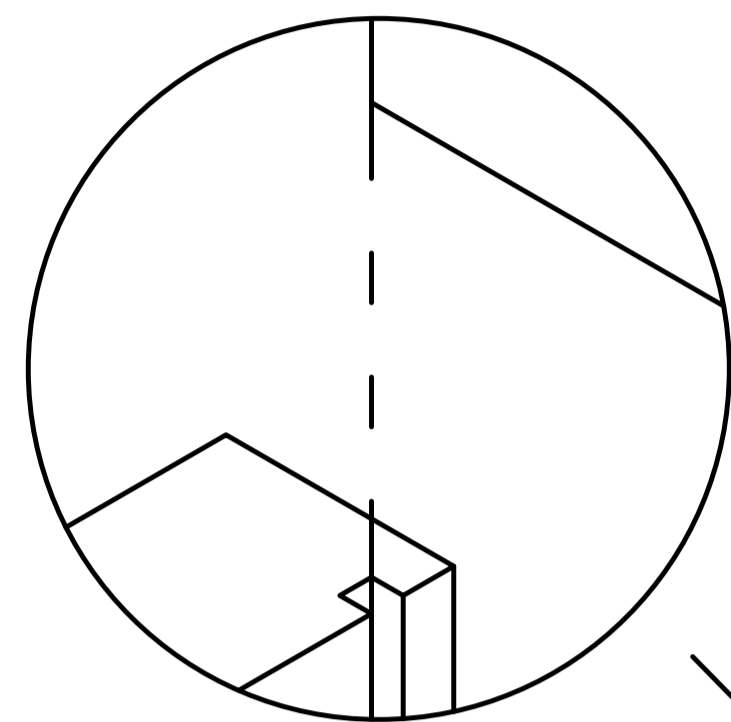
Step 55

2  x7

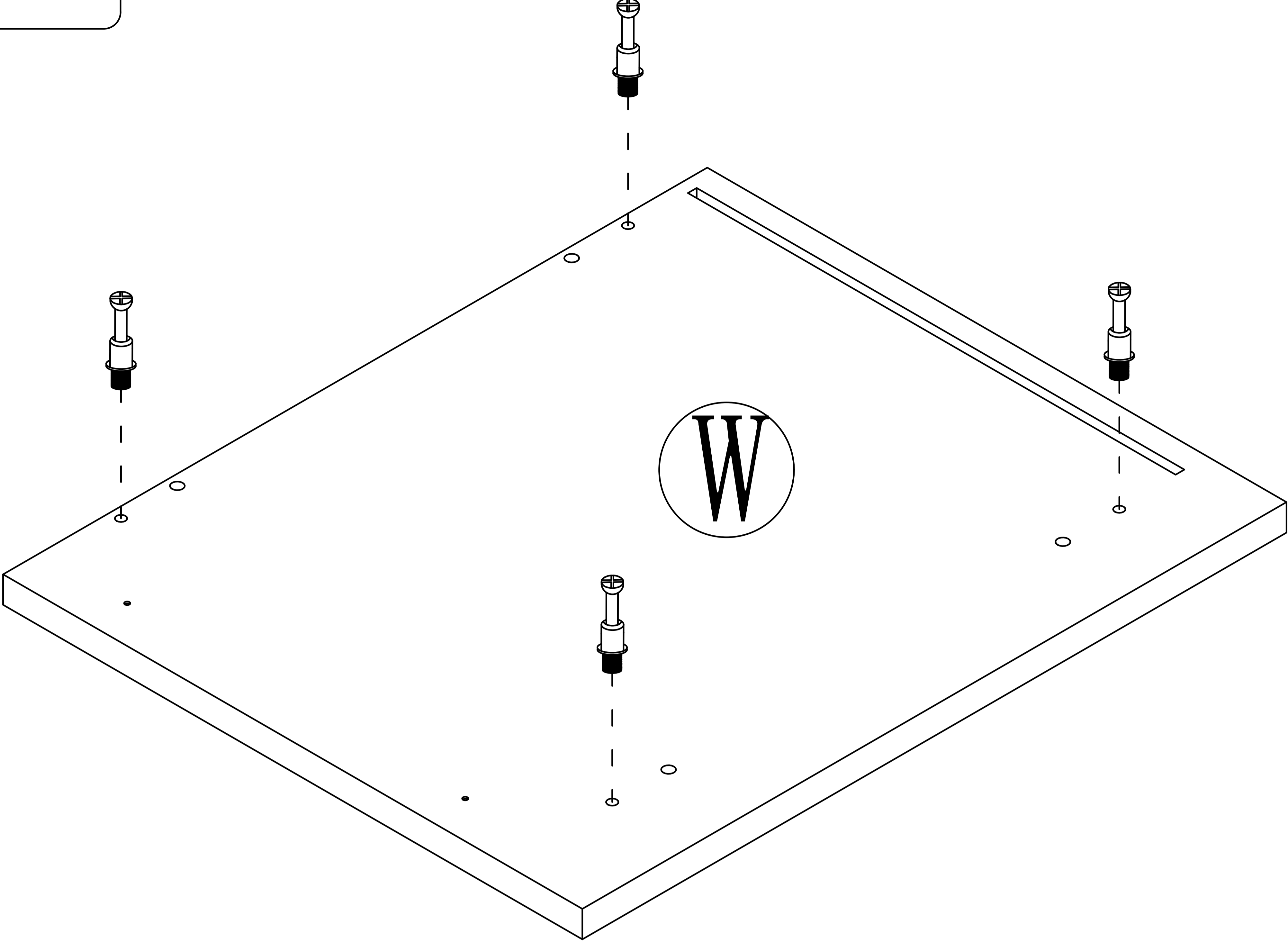
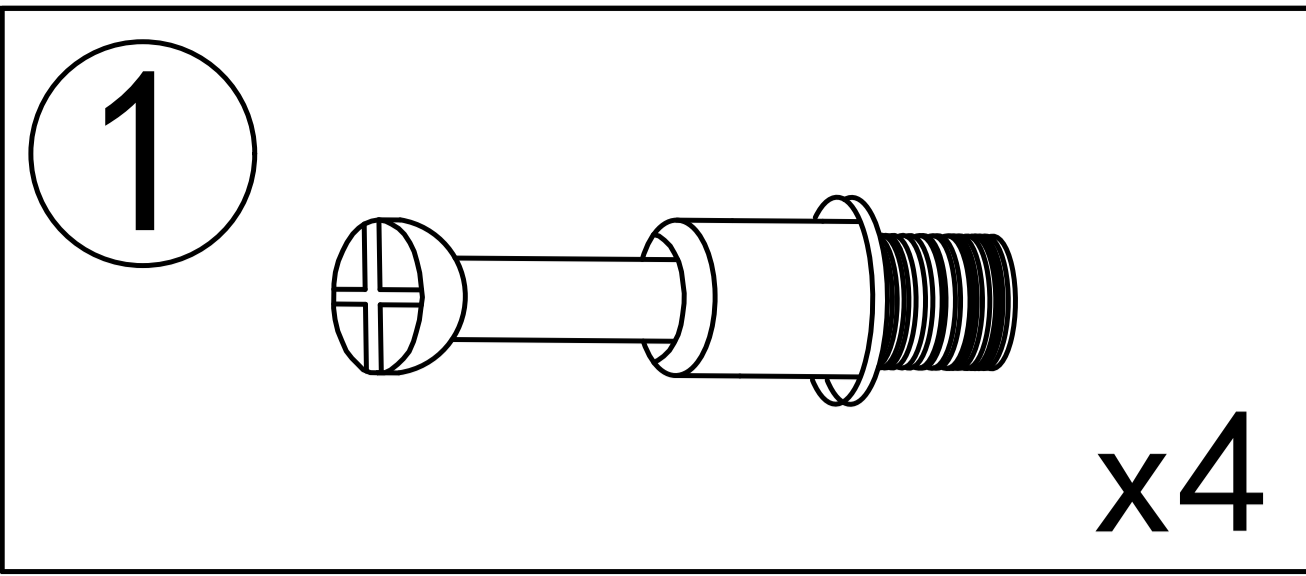


Step 56

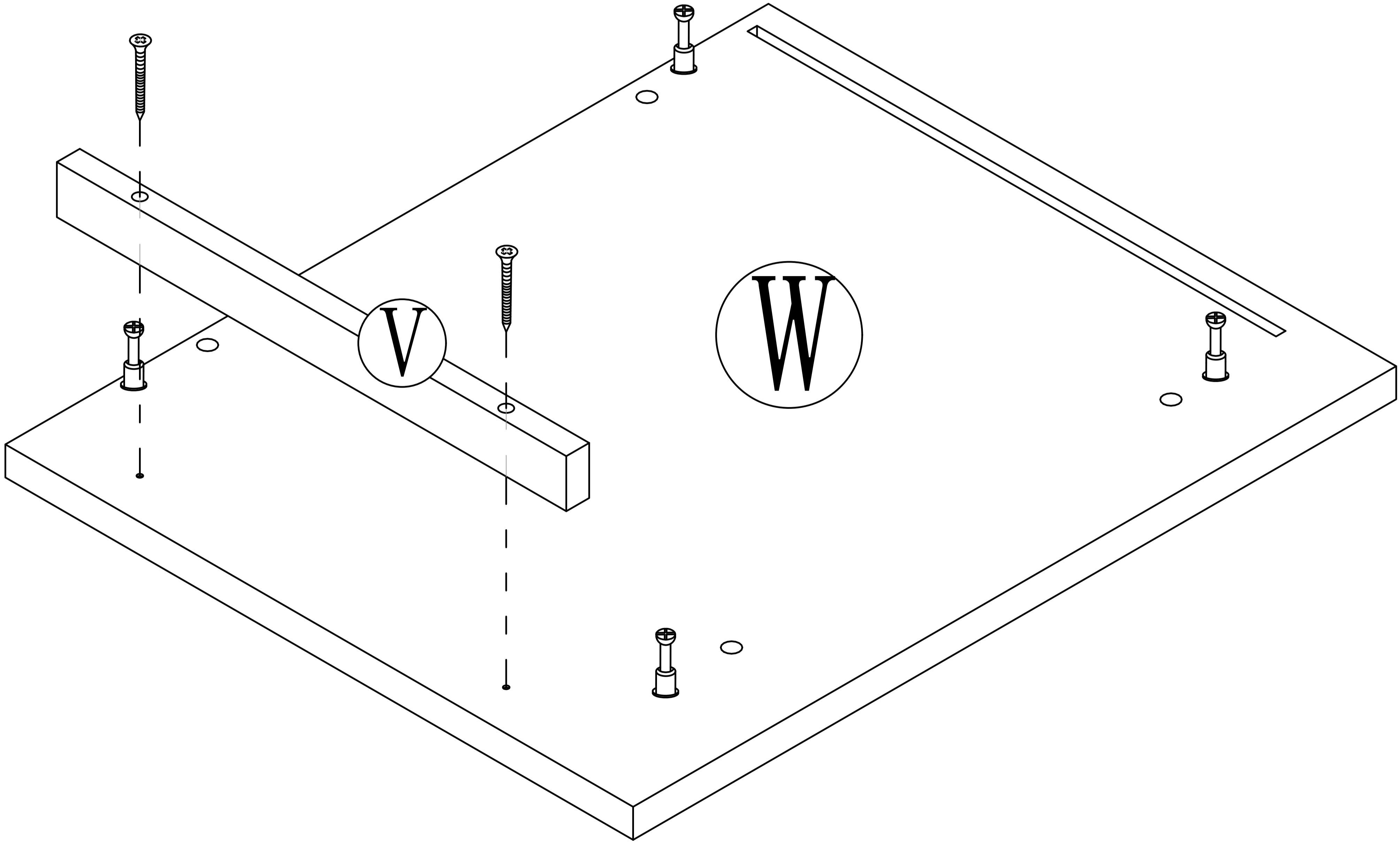
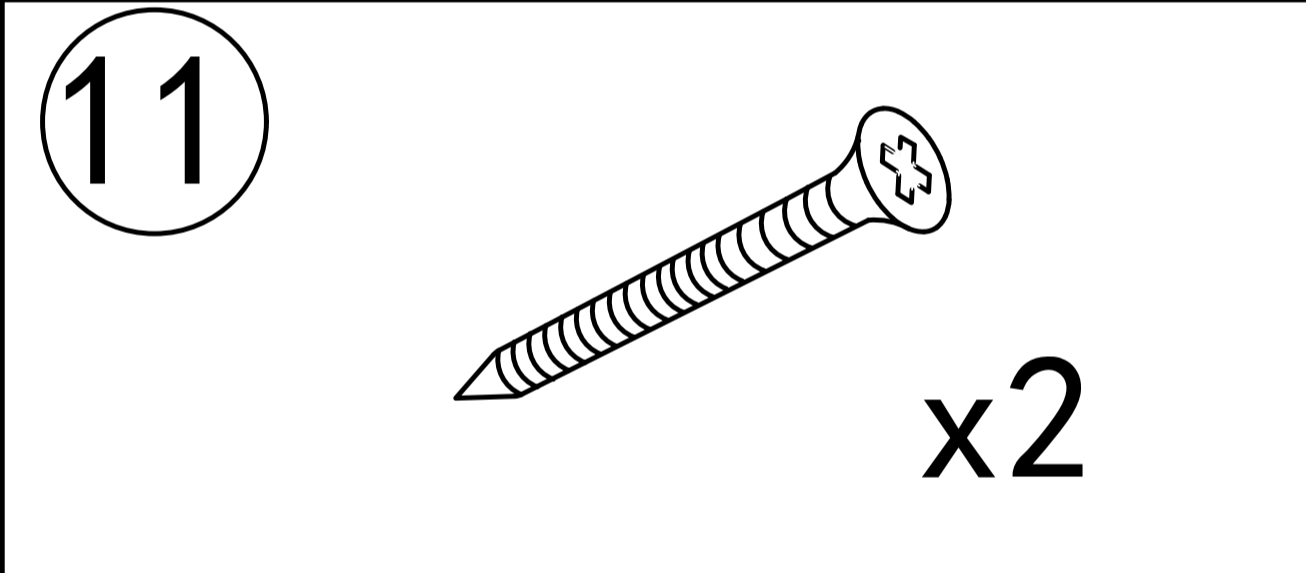
3  x8



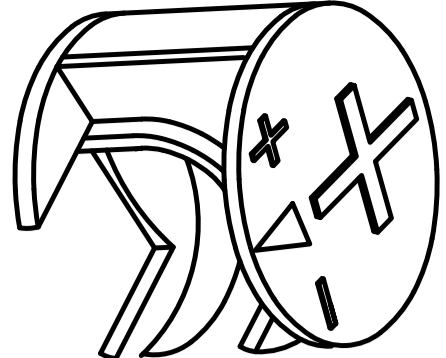
Step 57

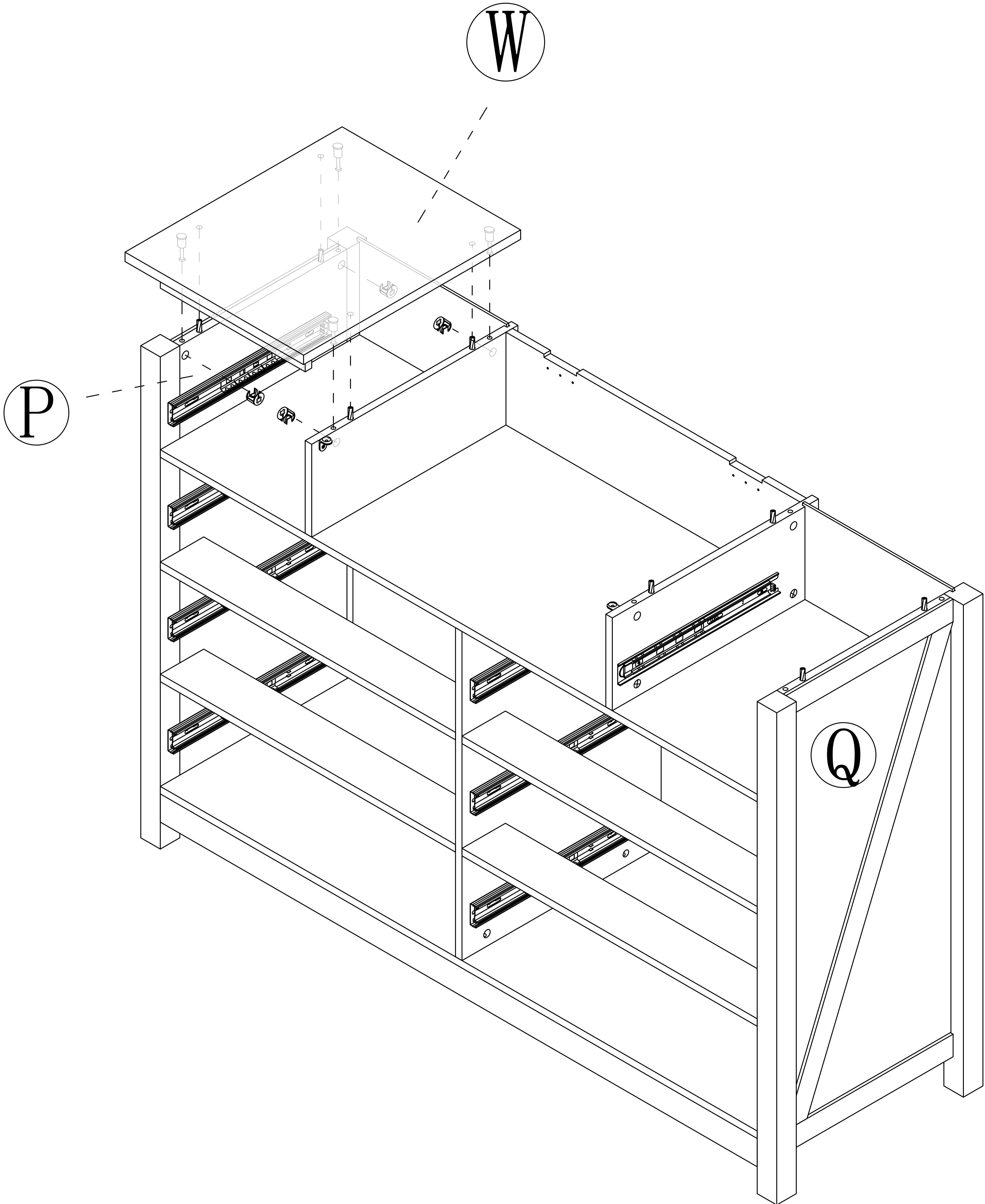


Step 58

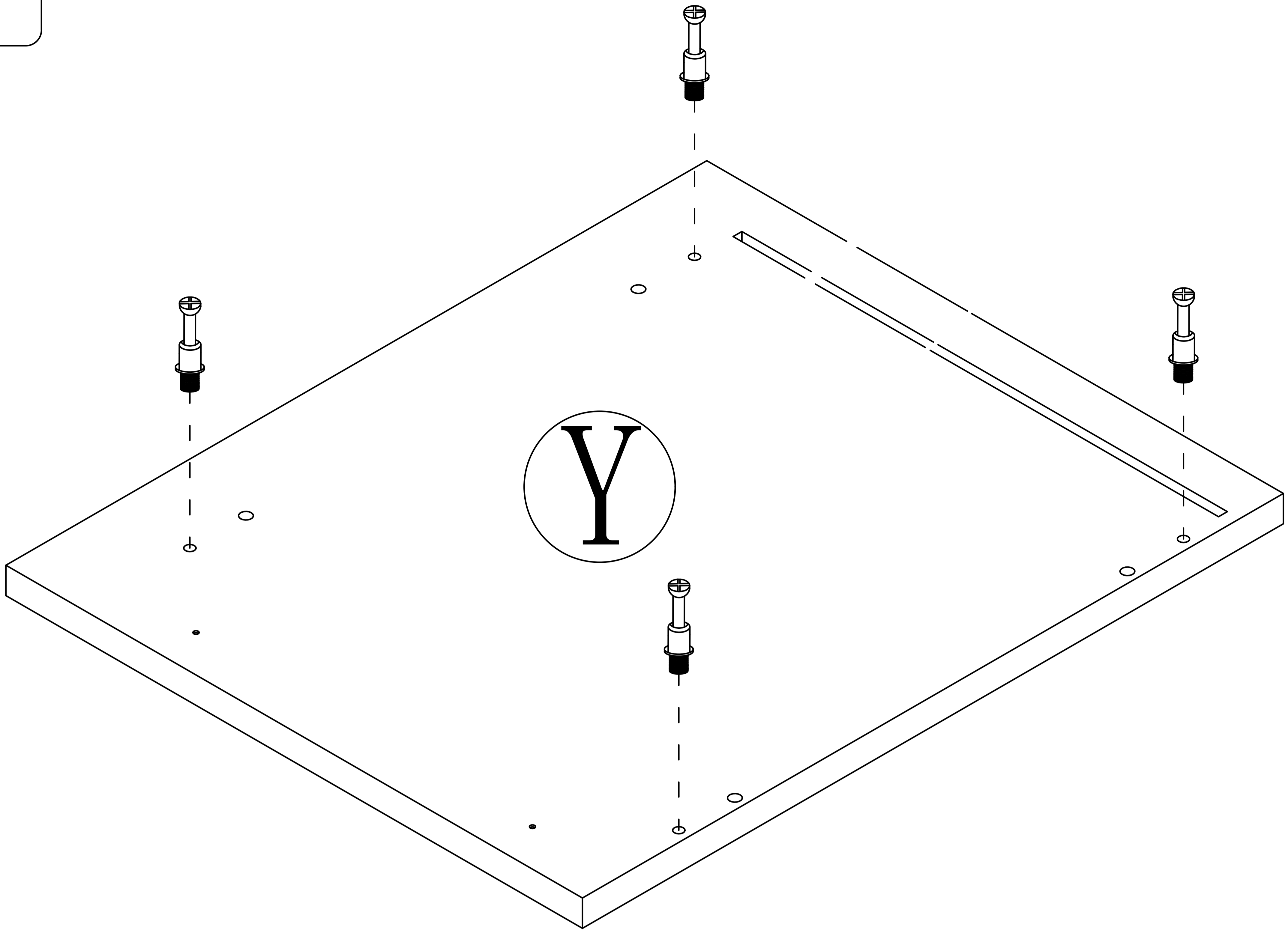
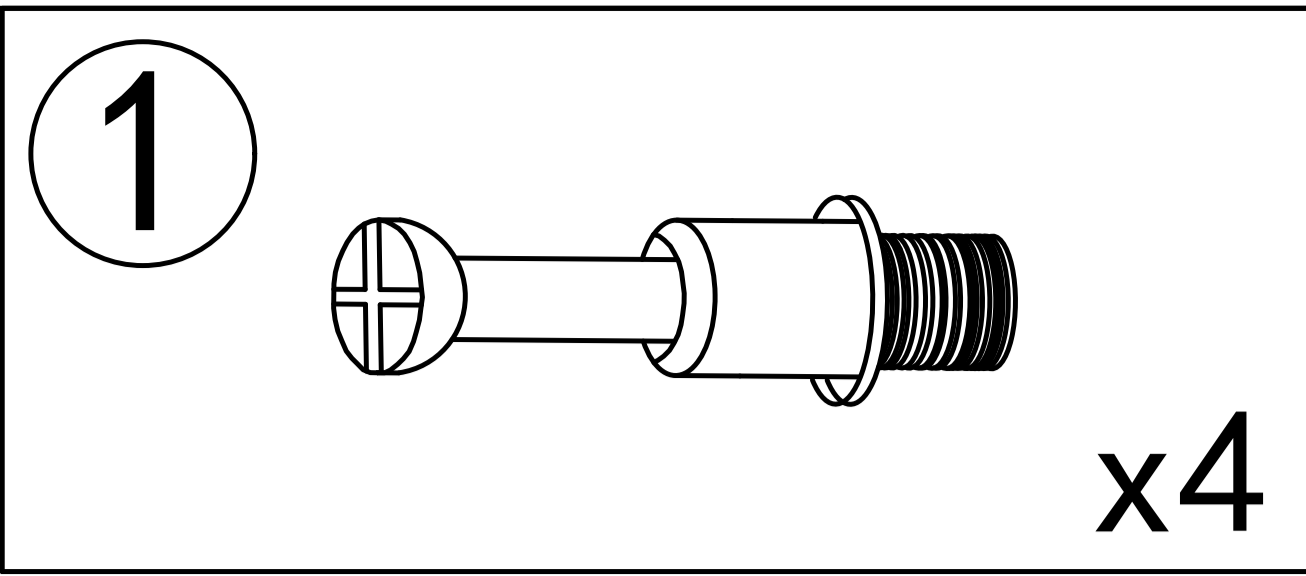


Step 59

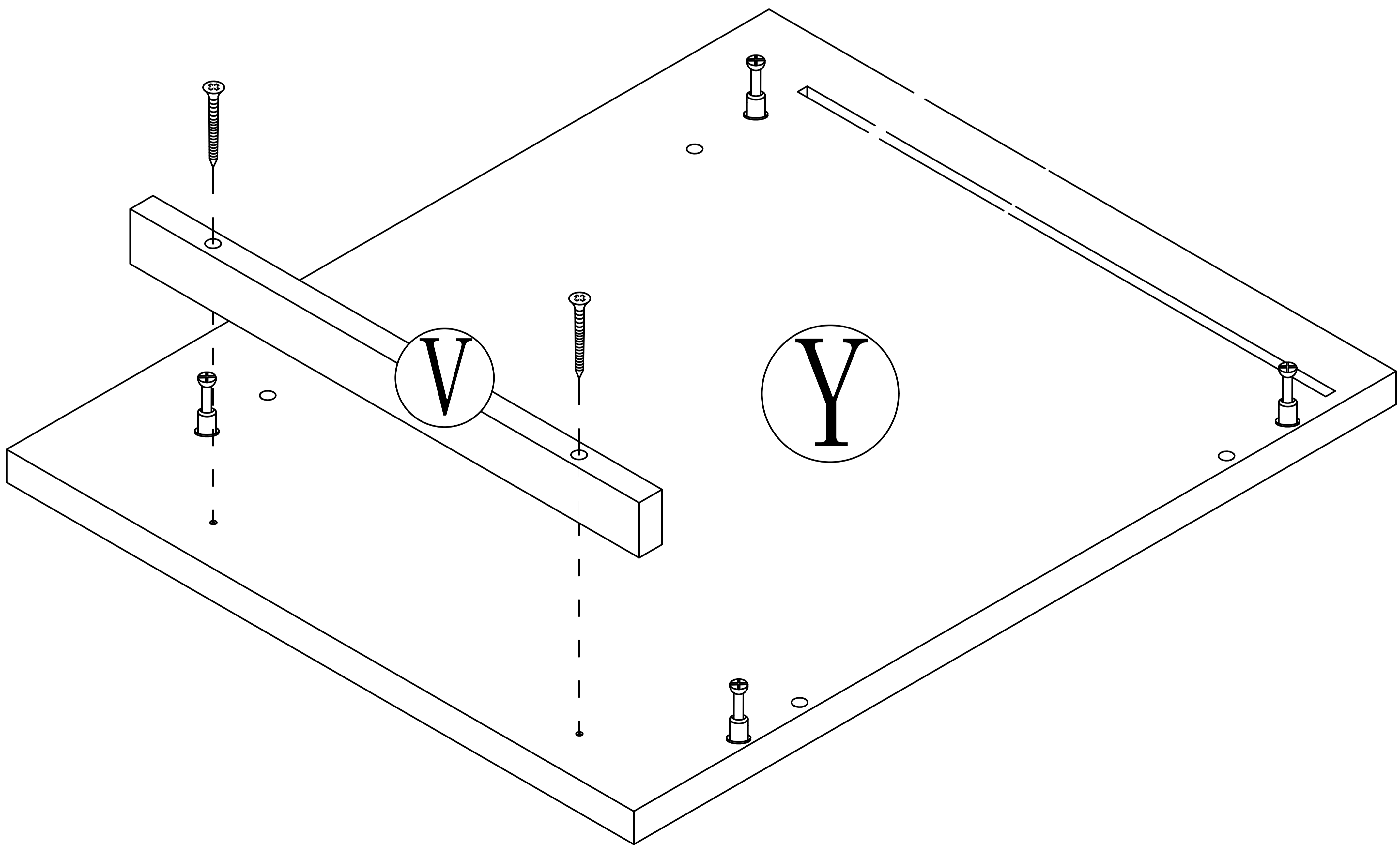
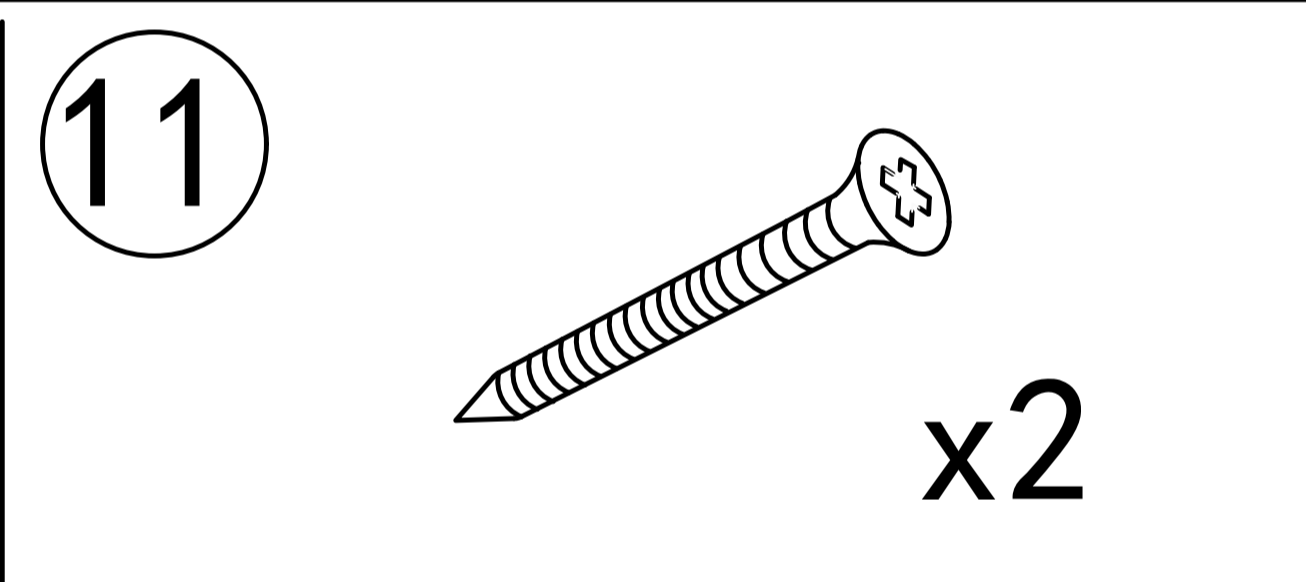
2  x4



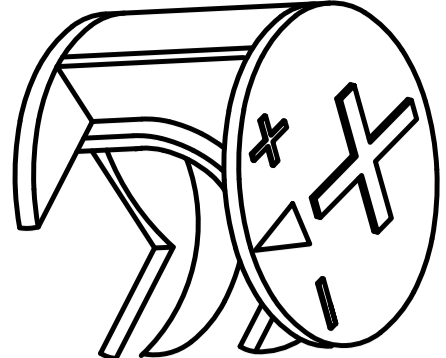
Step 60

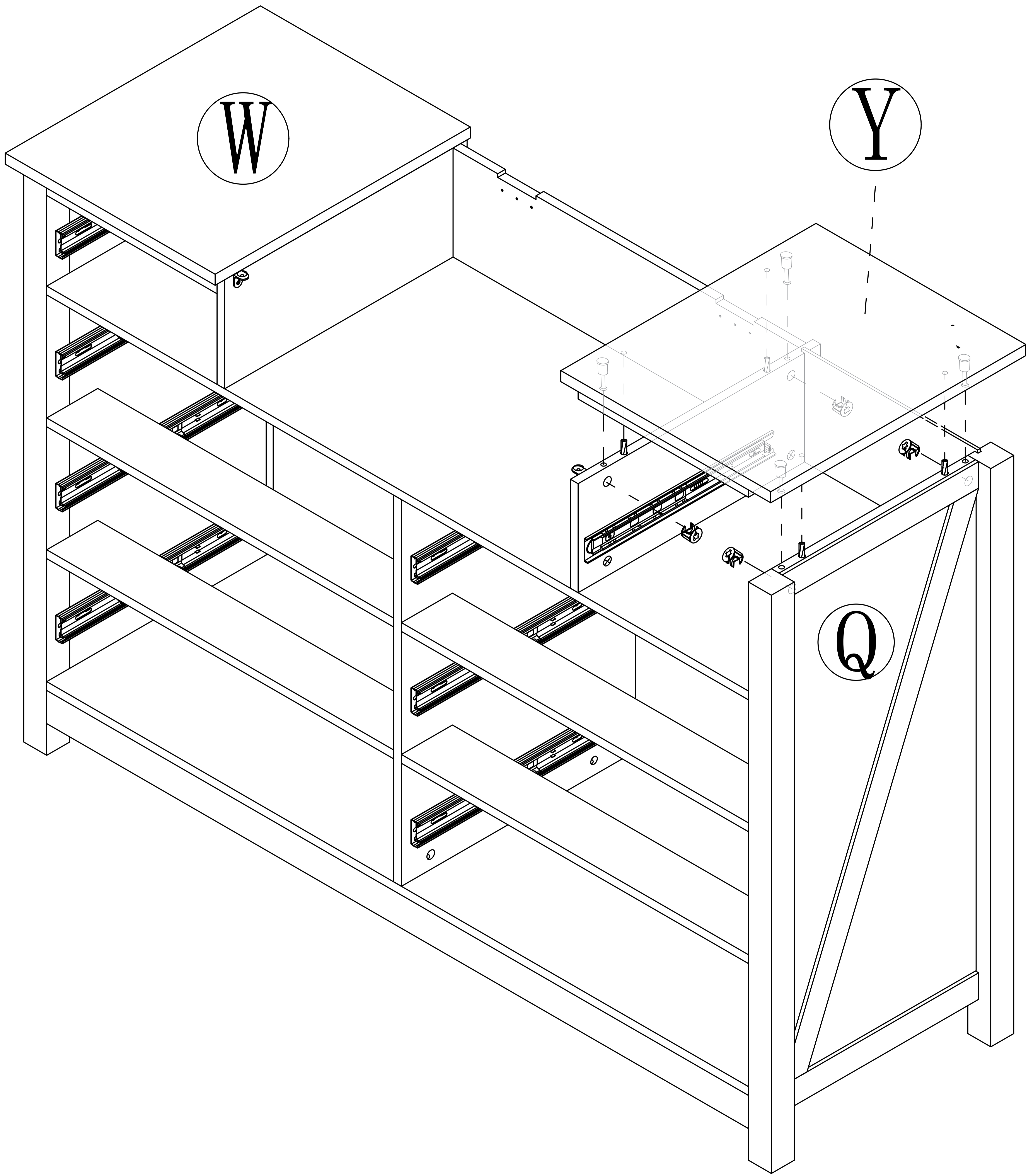


Step 61

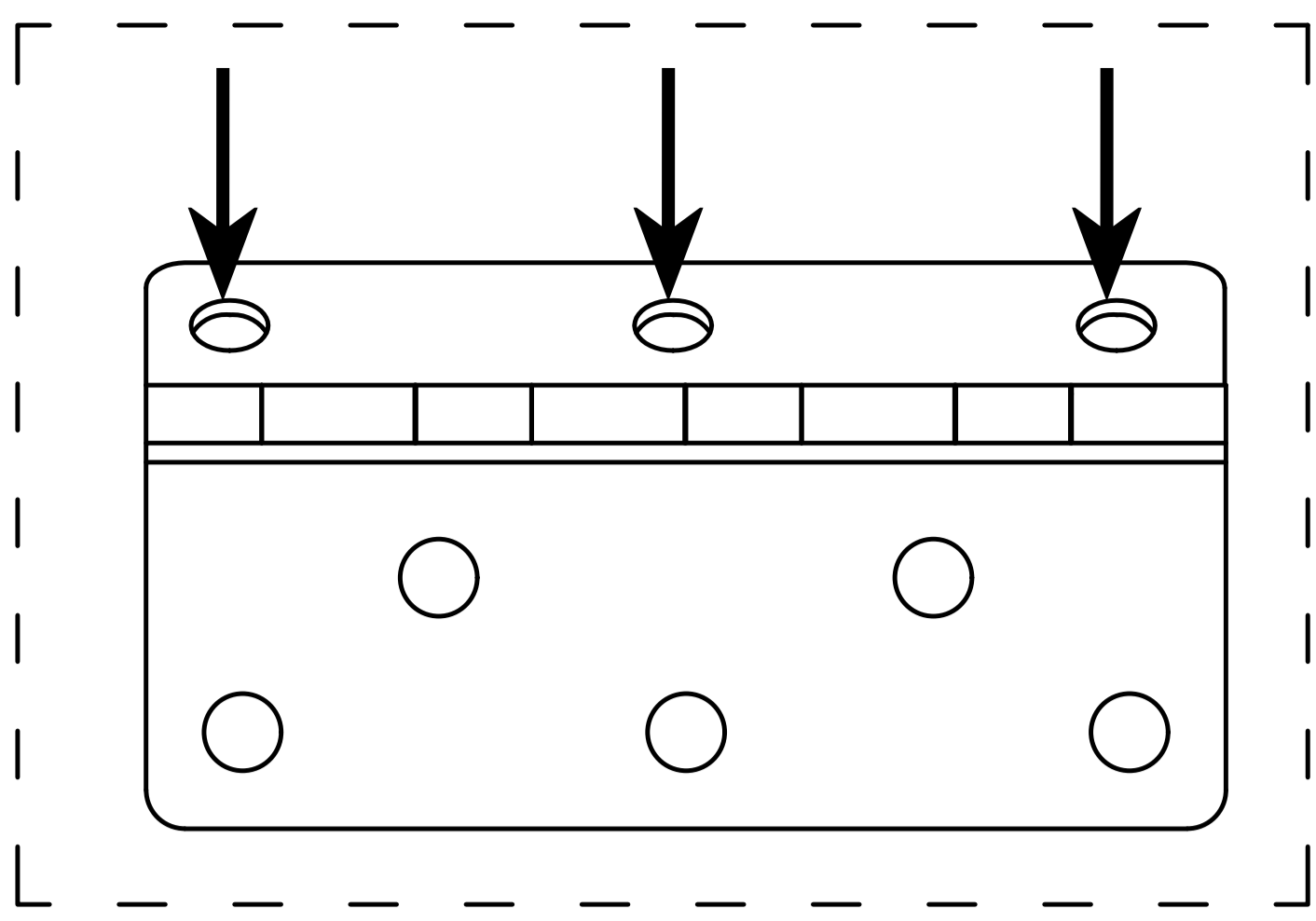


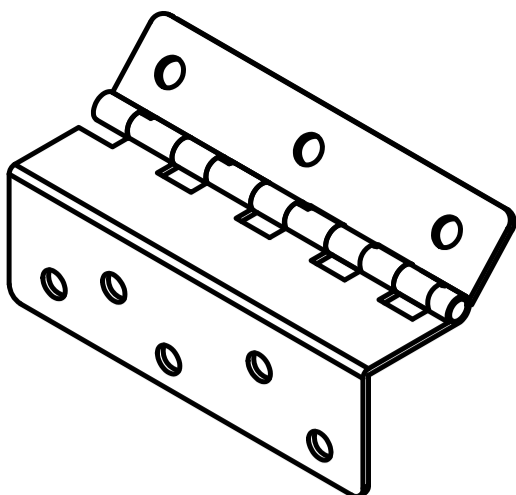
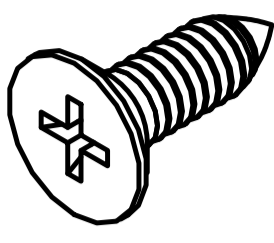
Step 62

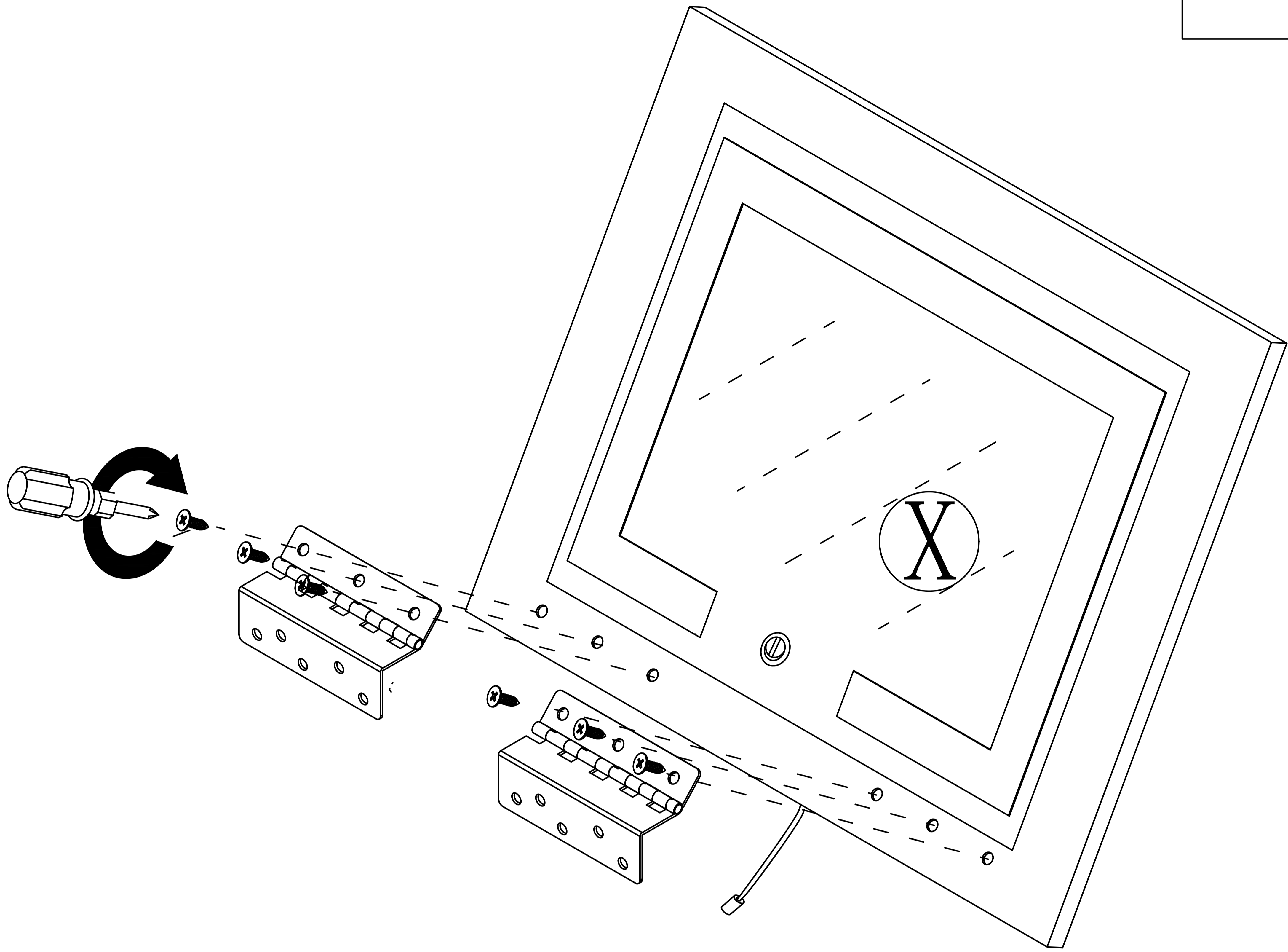
2  x4



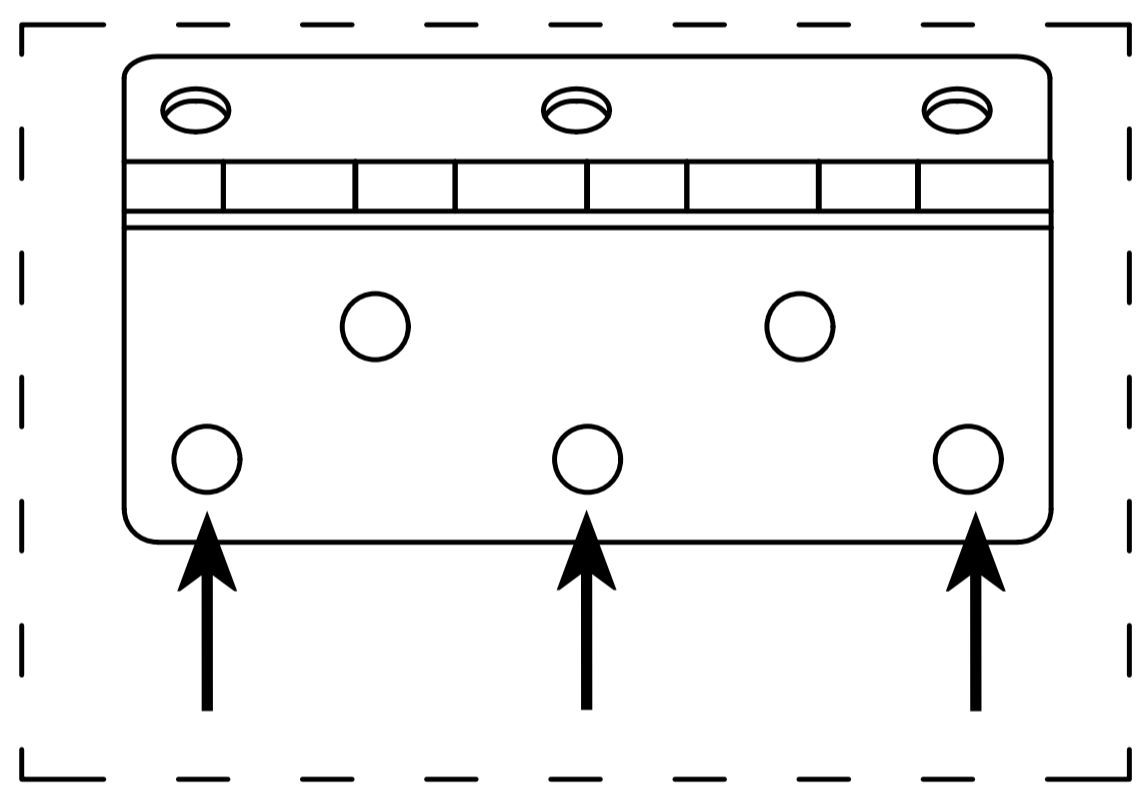
Step 63

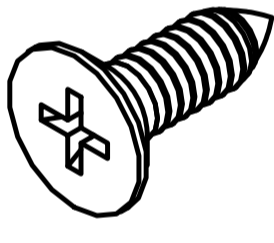


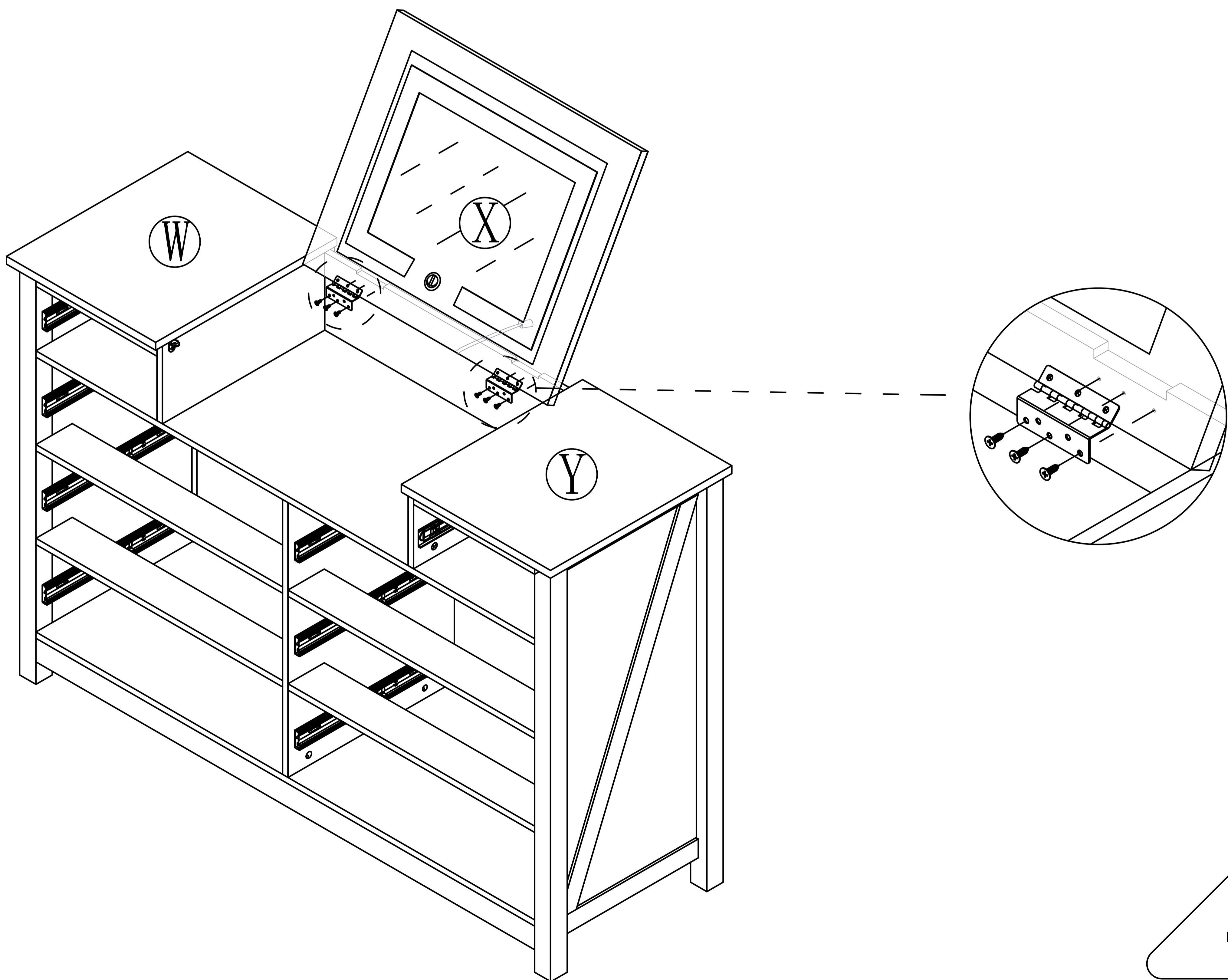
- 12  x2
- 12  x6



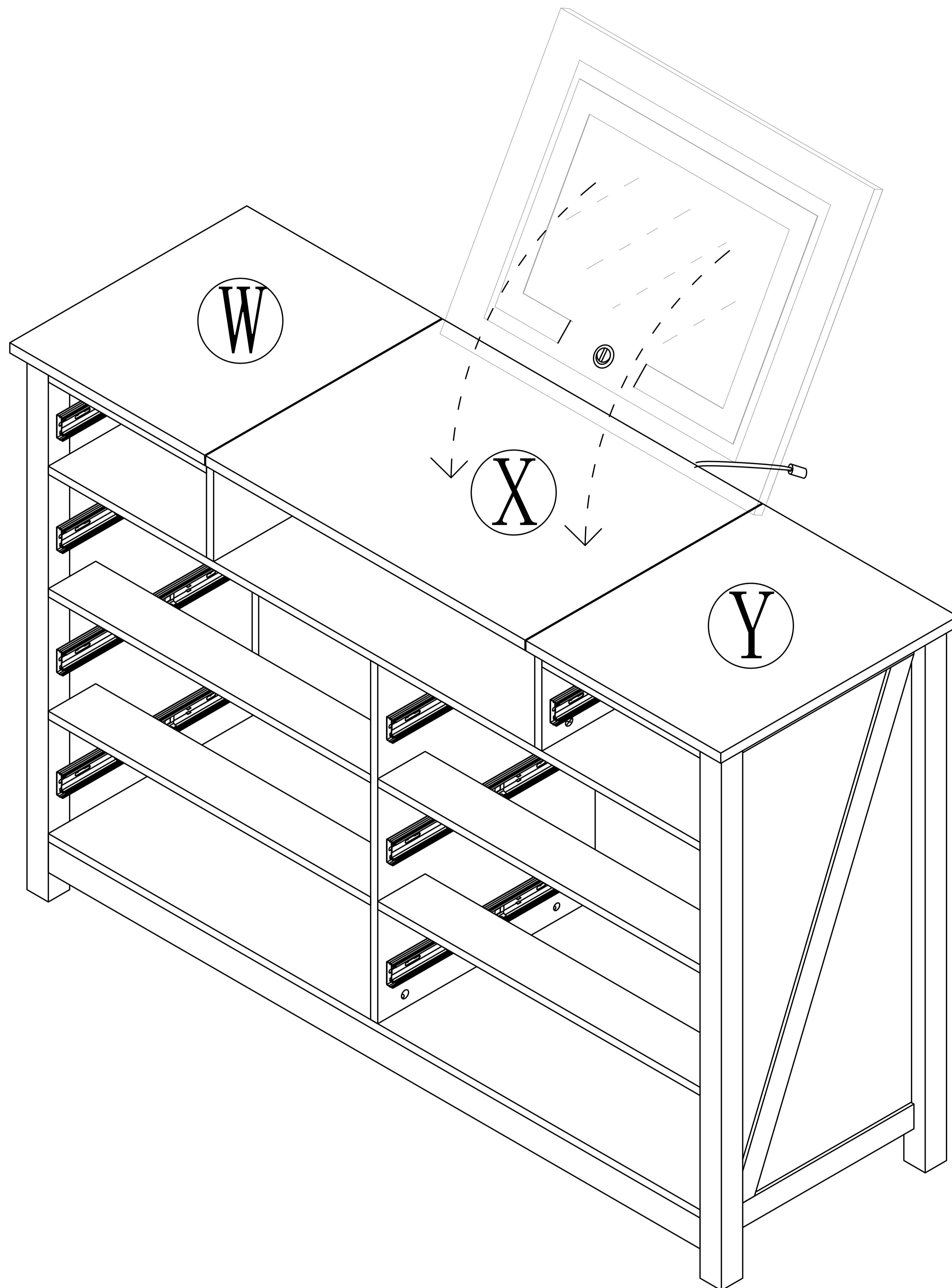
Step 64



- 12  x6



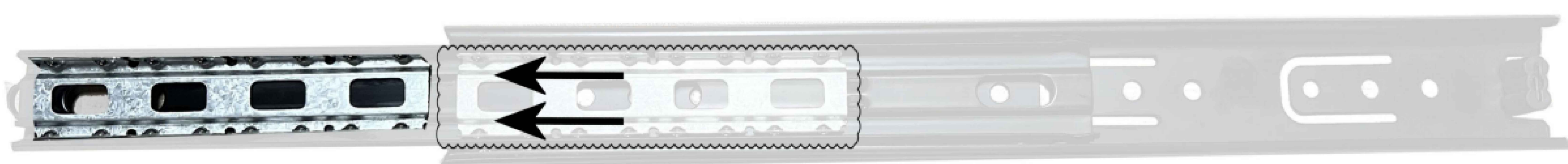
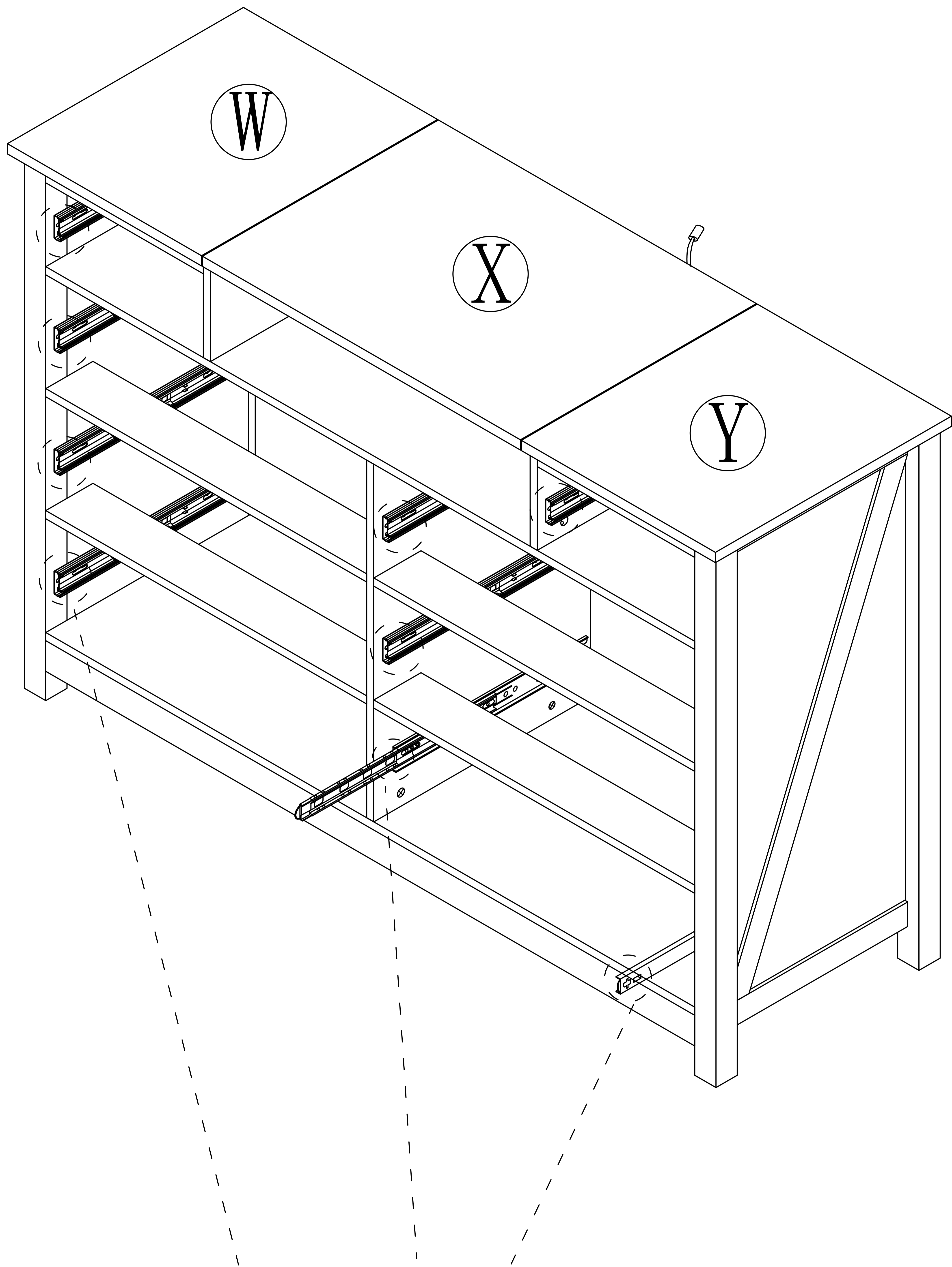
Step 65



Attention:

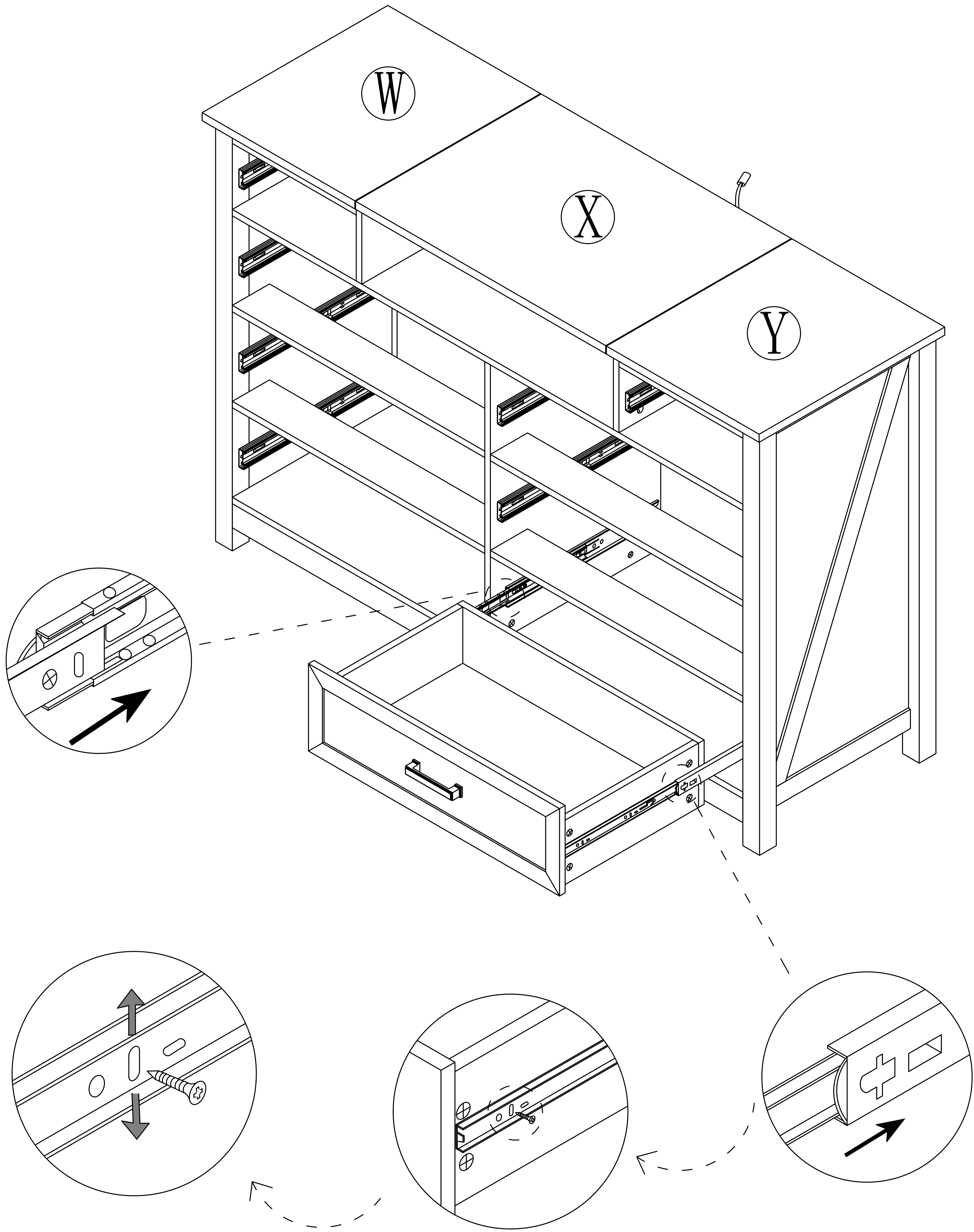
1. Please gently close the mirror panel
2. After installing the mirror panel you need to check if you need to adjust the position slightly

Step 66



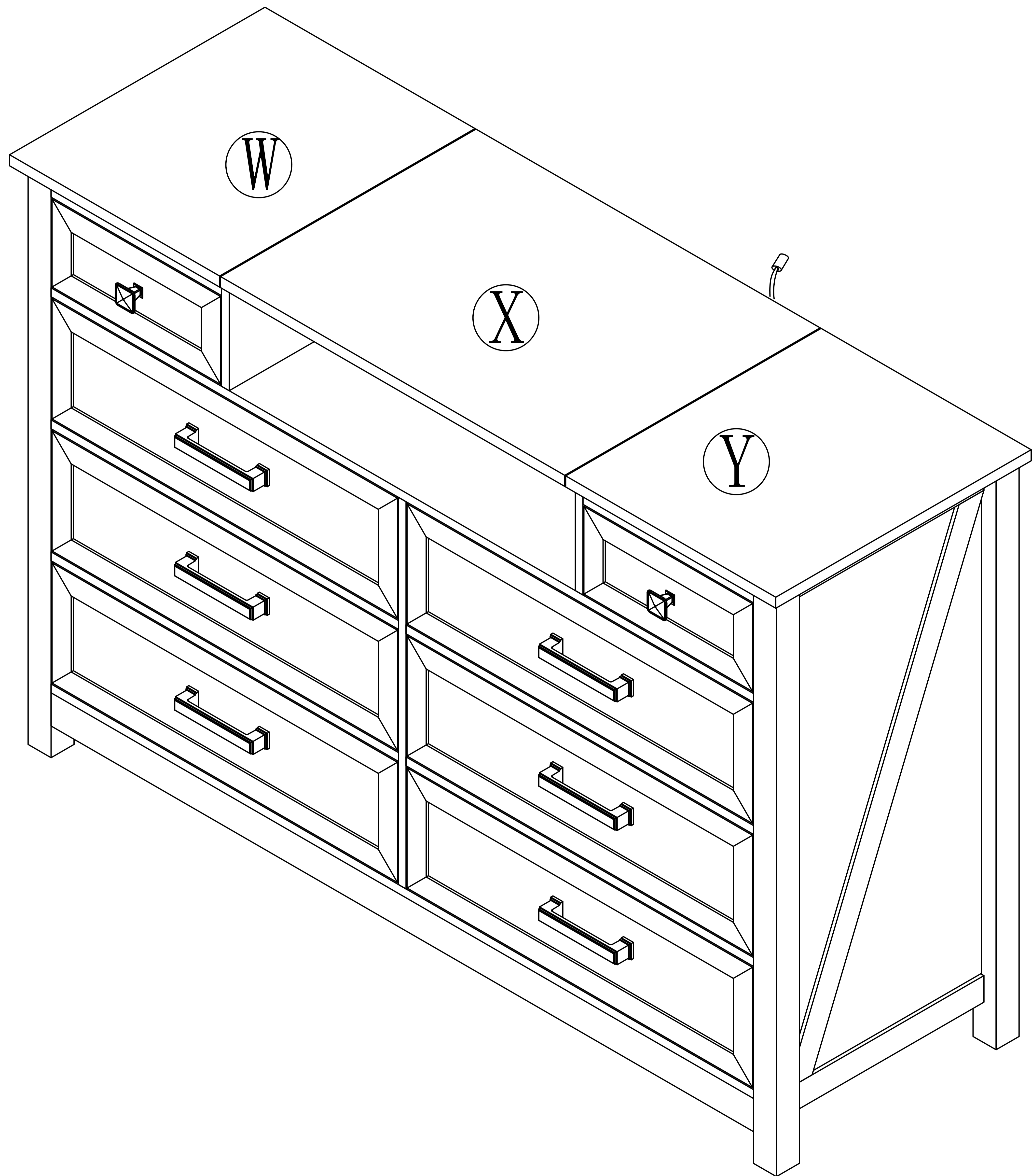
As shown, When installing the drawer, pull the guide rail out first, Slide beads are also pulled out.

Step 67



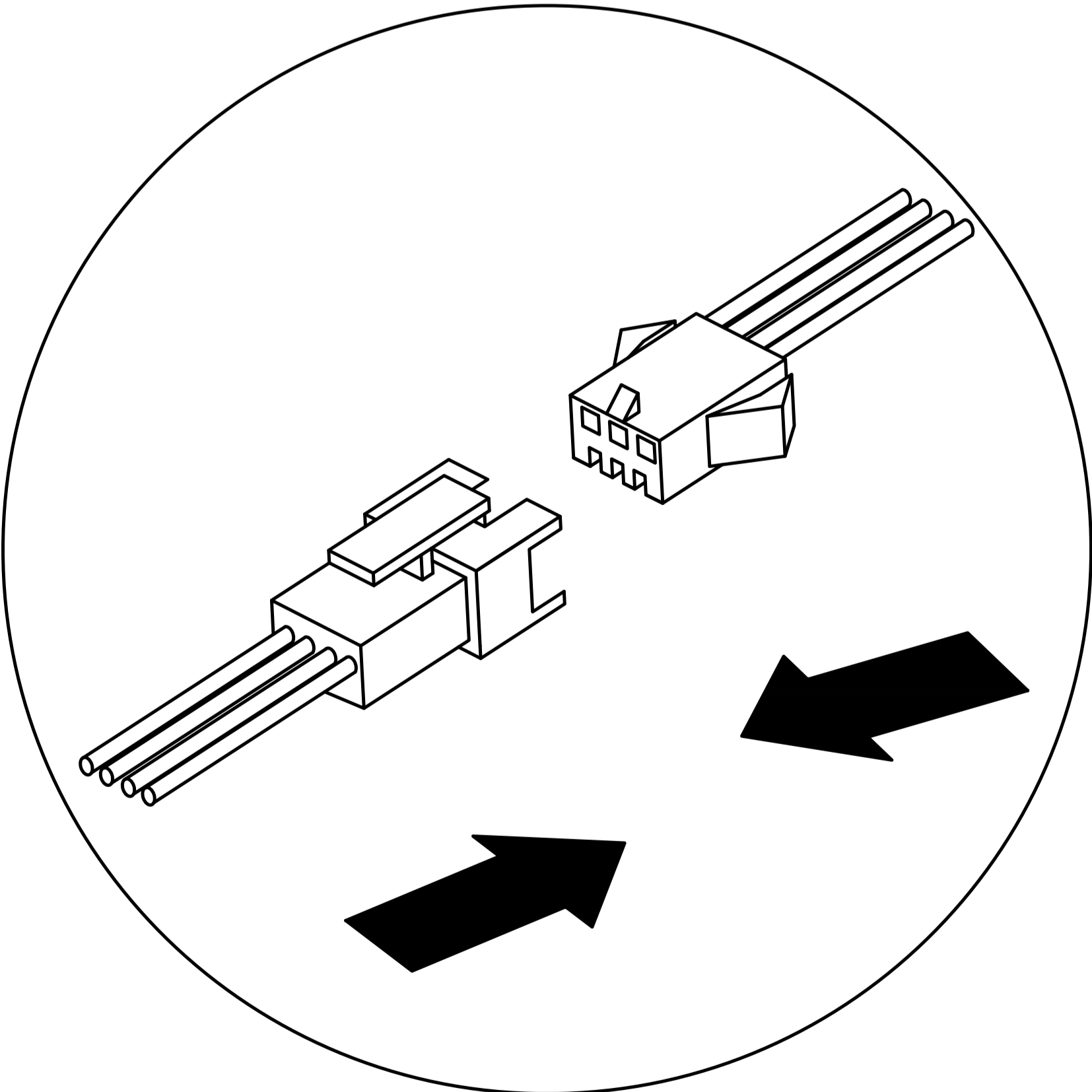
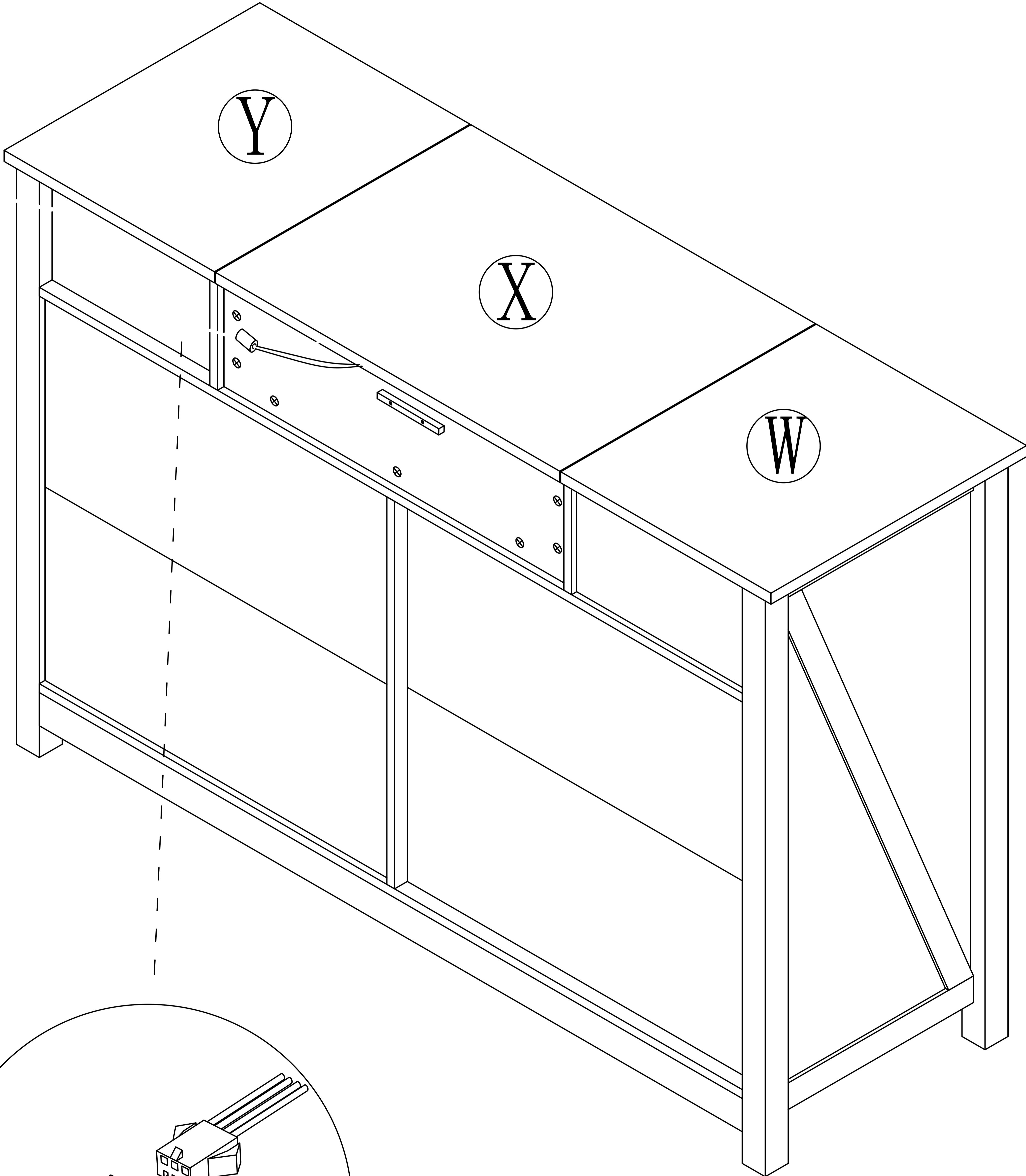
If a large gap is found after installing the drawer the slide rail can be moved up and down to adjust the gap

Step 68

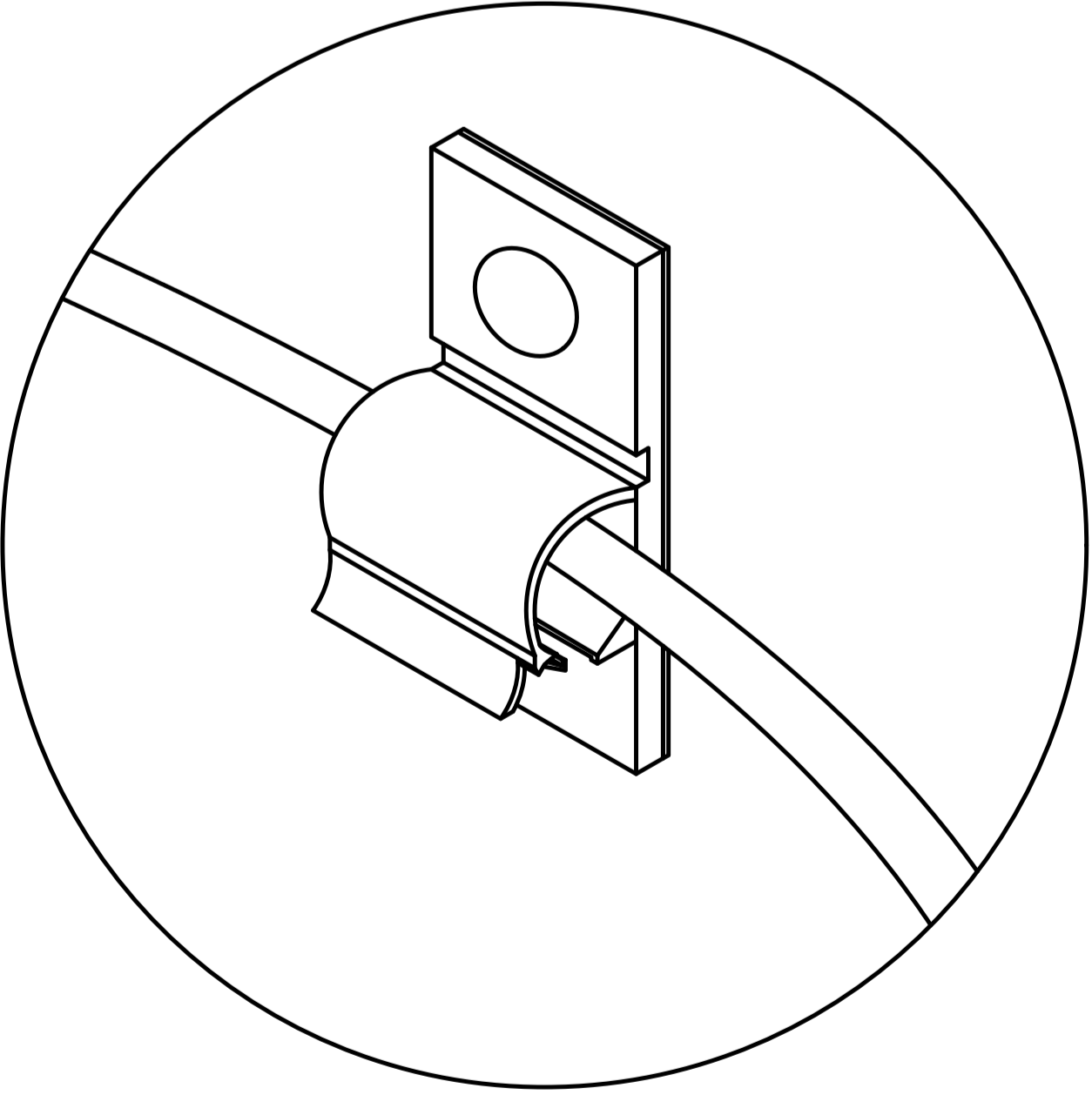
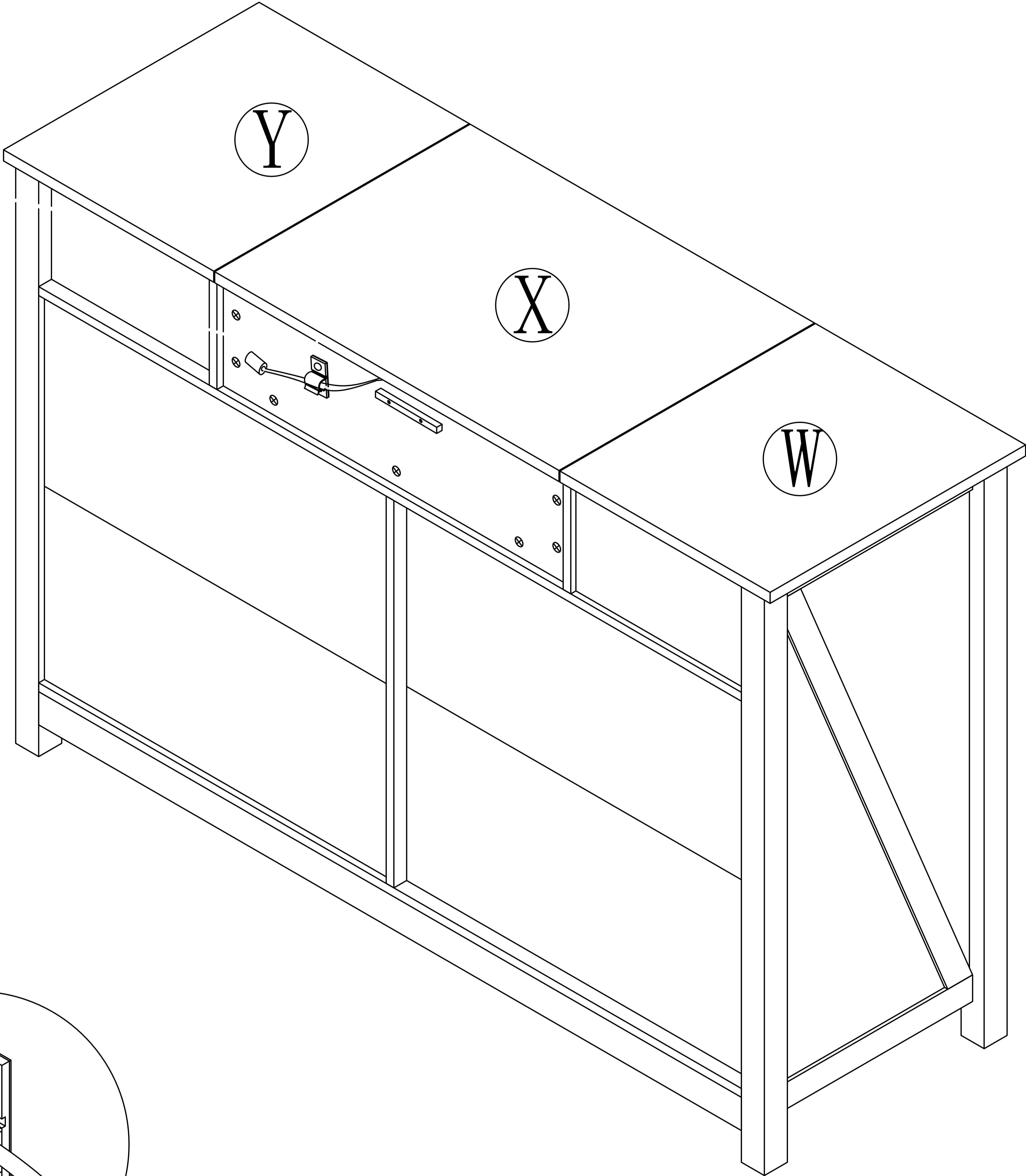
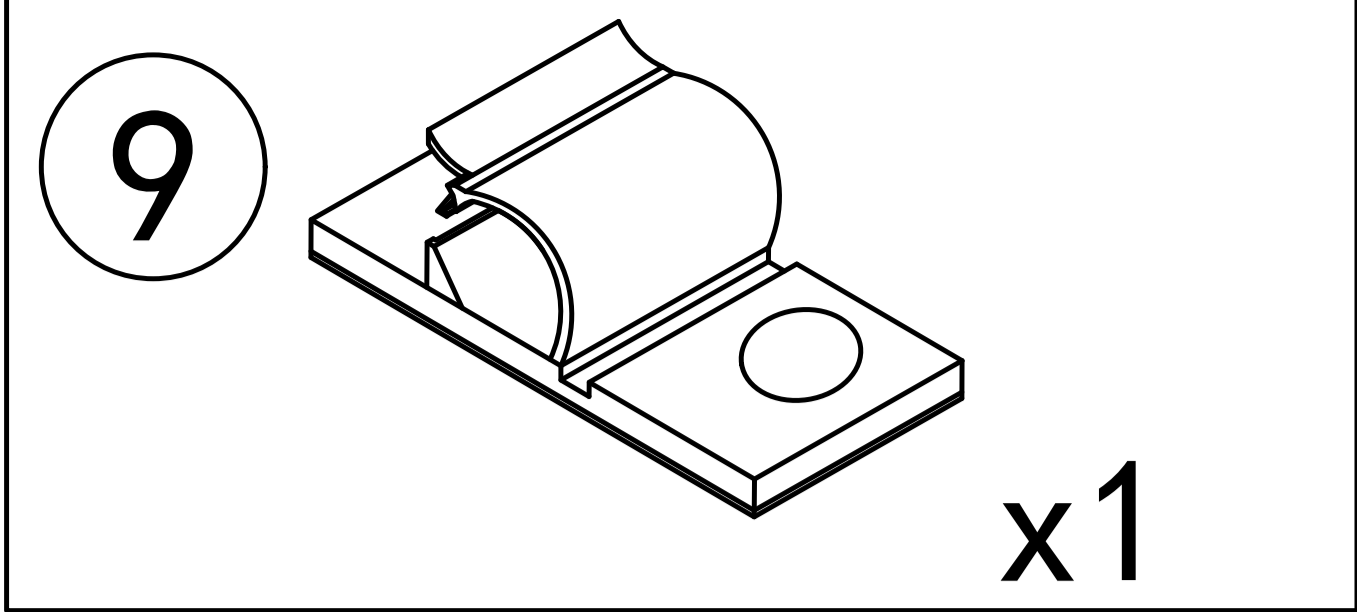


Repeat the drawer installation steps

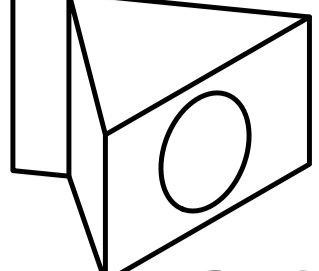
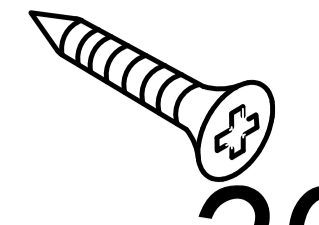
Step 69

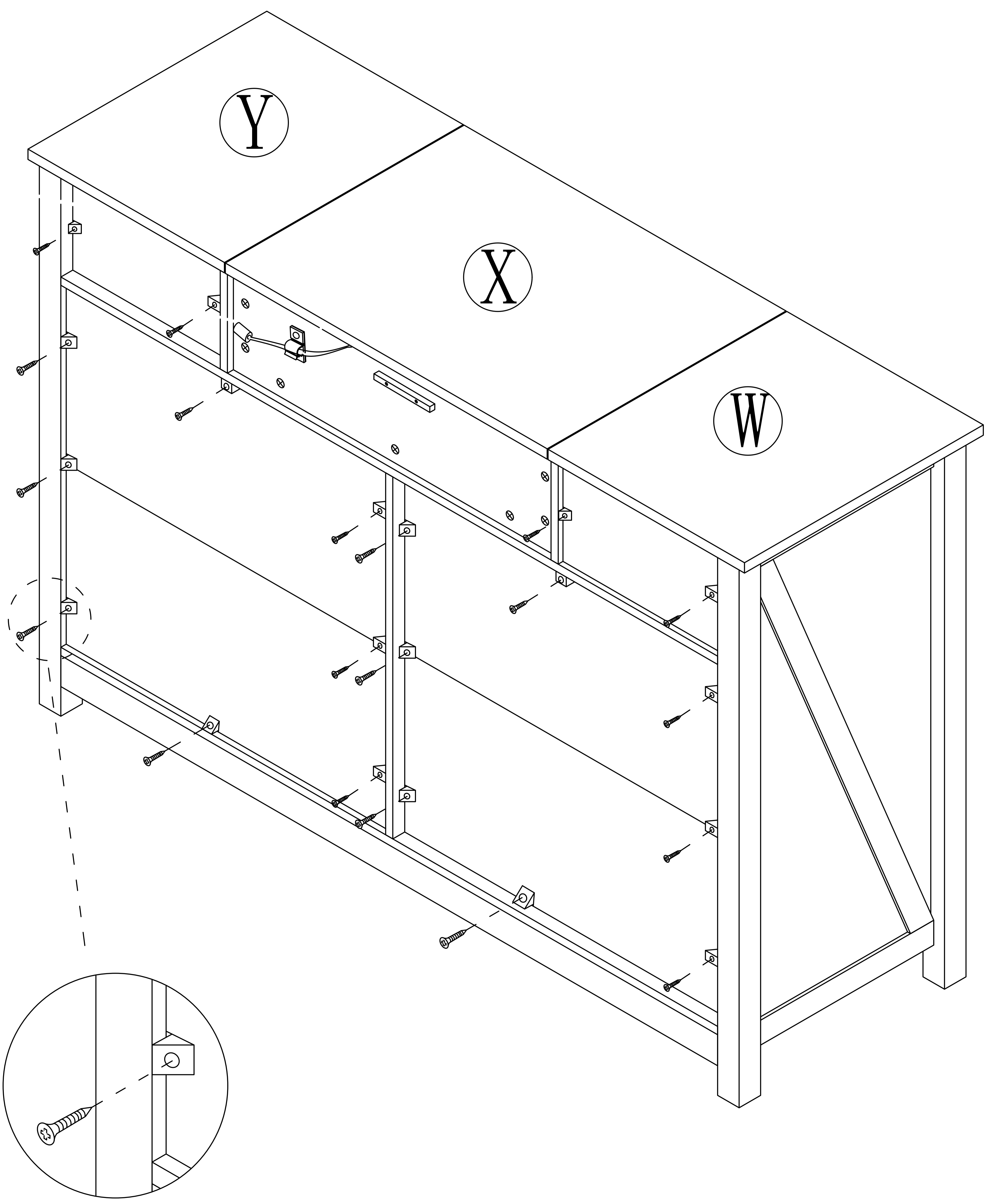


Step 70

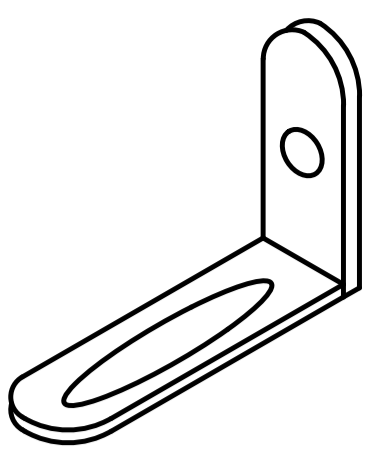
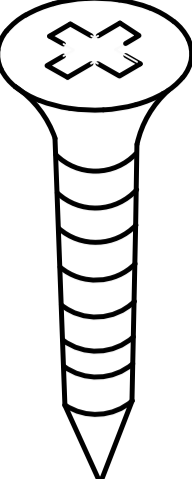
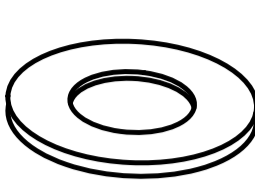


Step 71

7  x20  x20



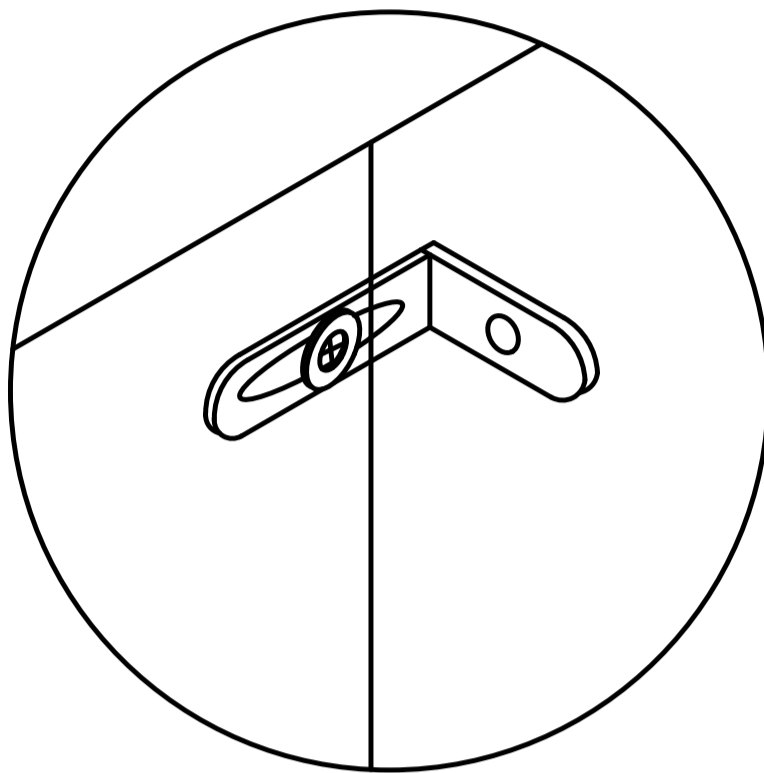
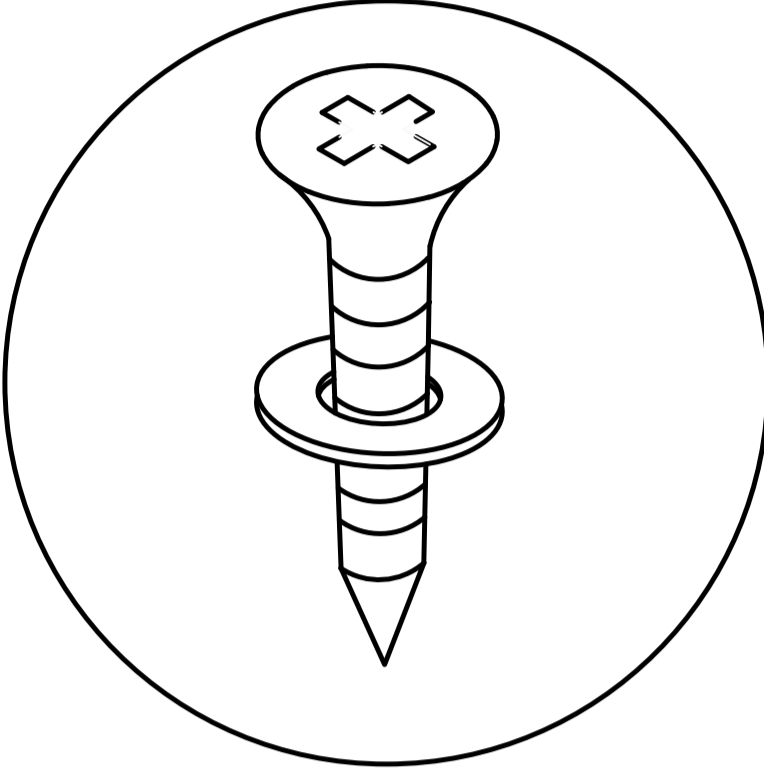
Step 72

15  x2  x2
 x2

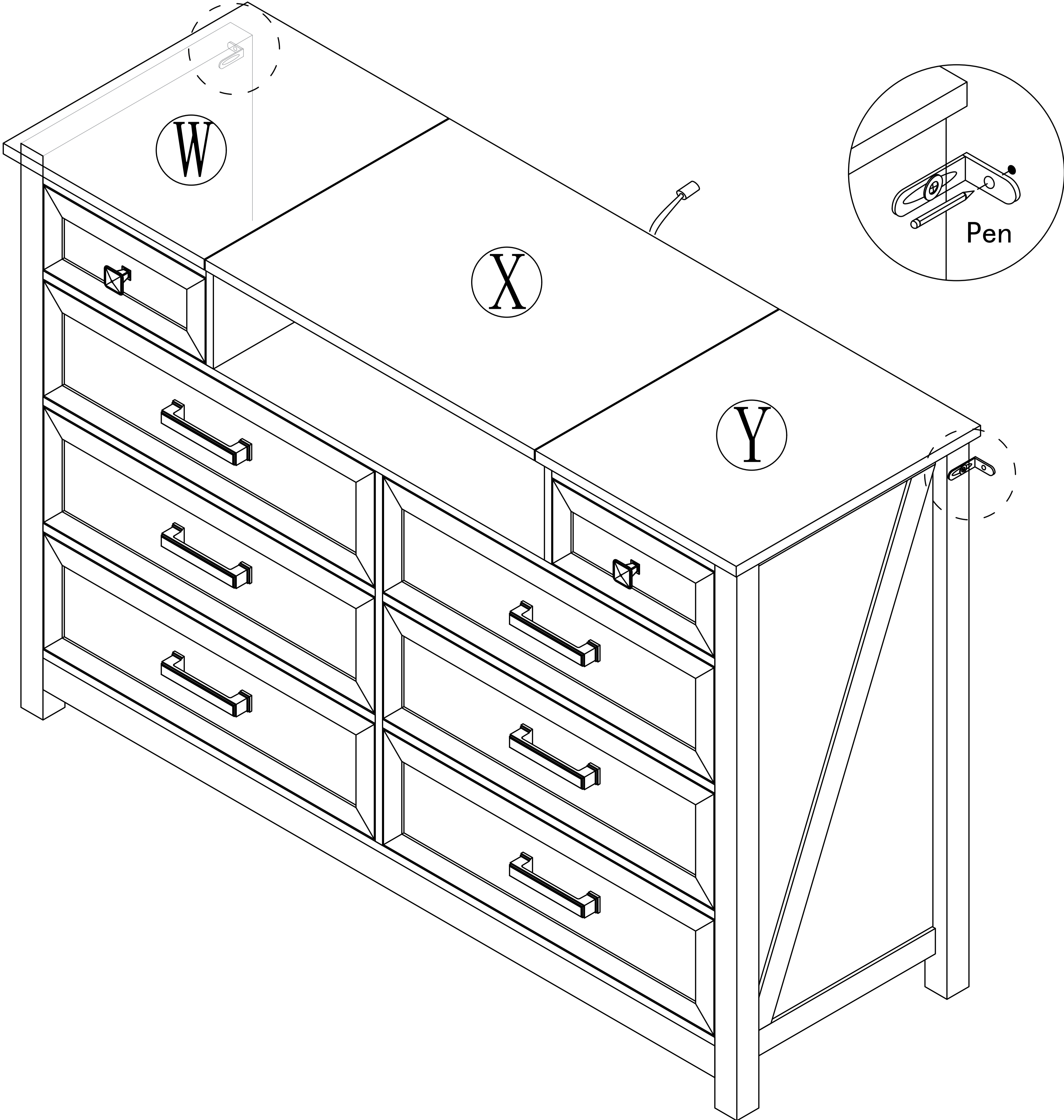
Install as required

Install the anti fall hardware on the cabinet as shown in the picture first

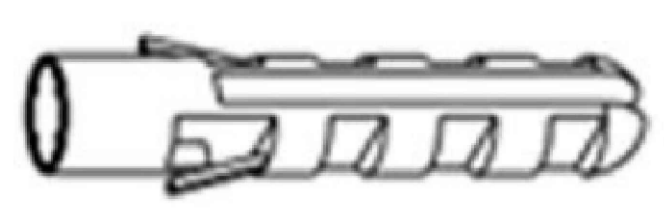
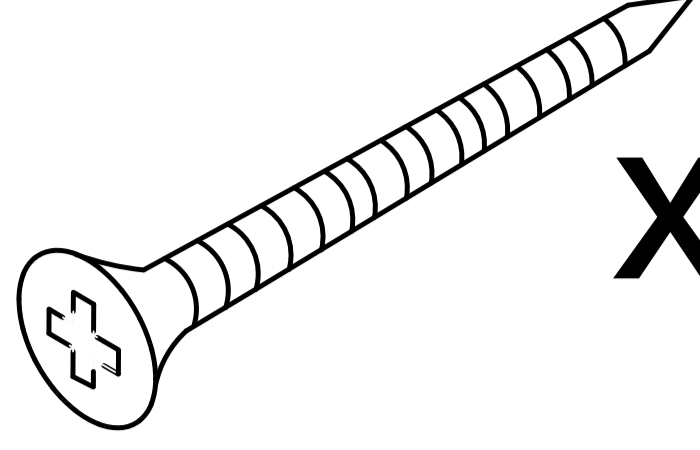
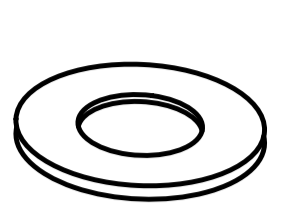
3.5x14mm

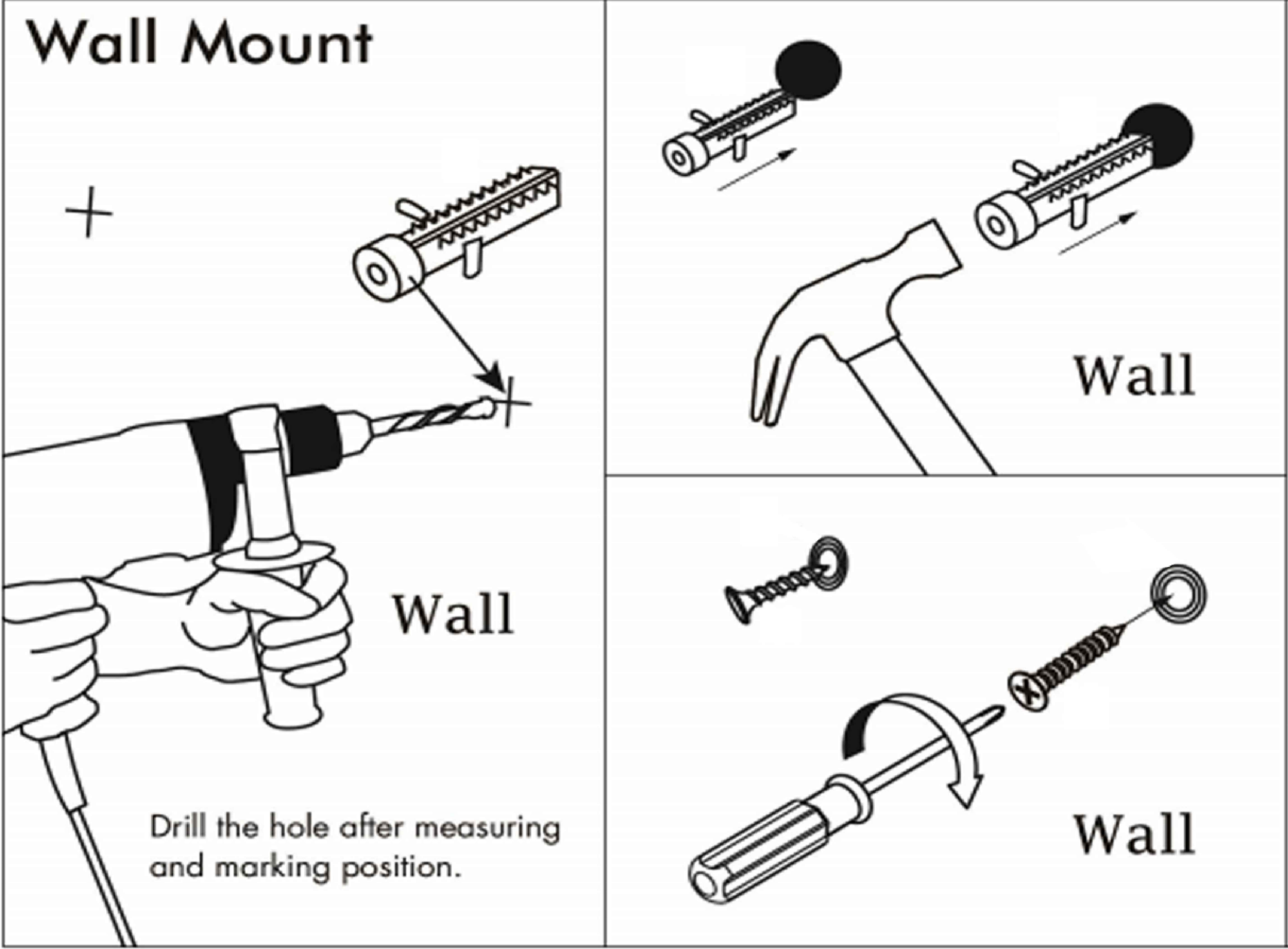


Then mark the wall with a pen through the holes in the anti-fall hardware

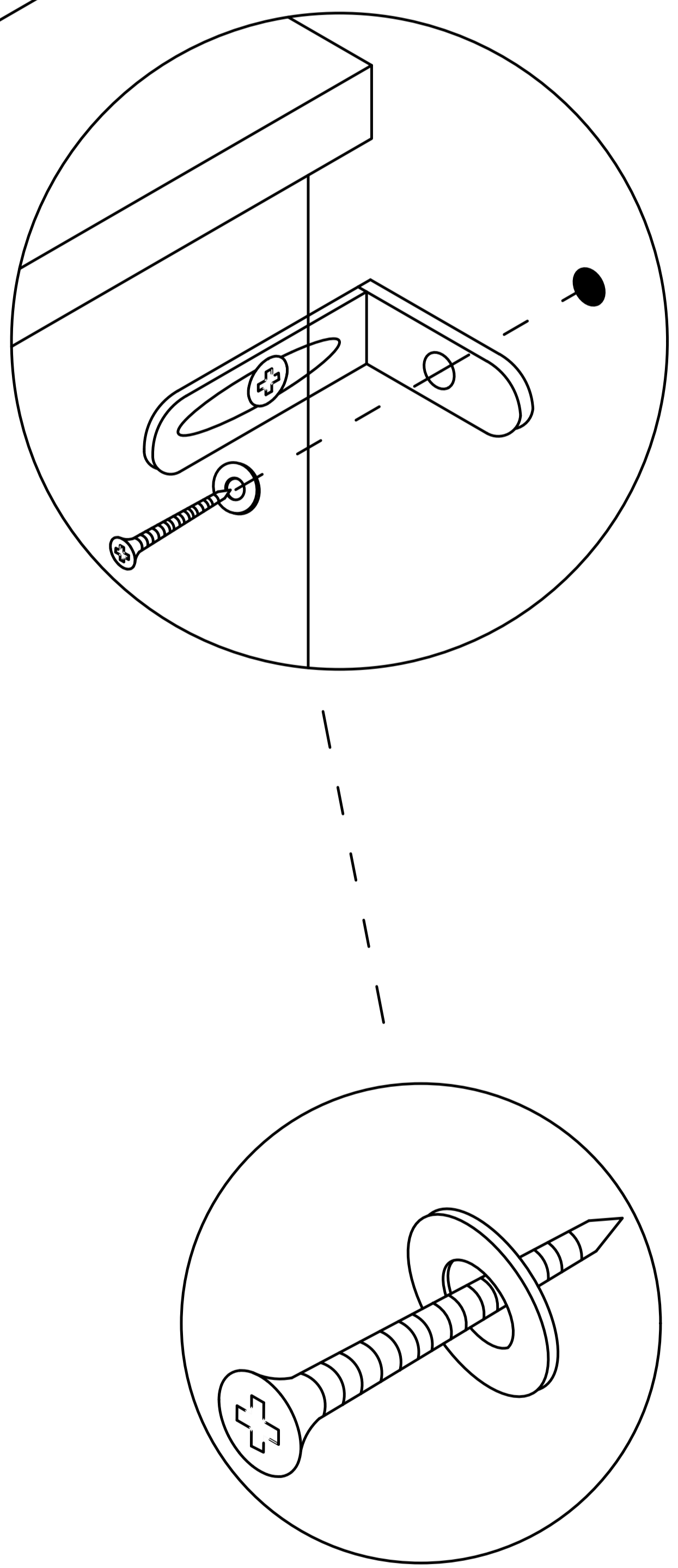
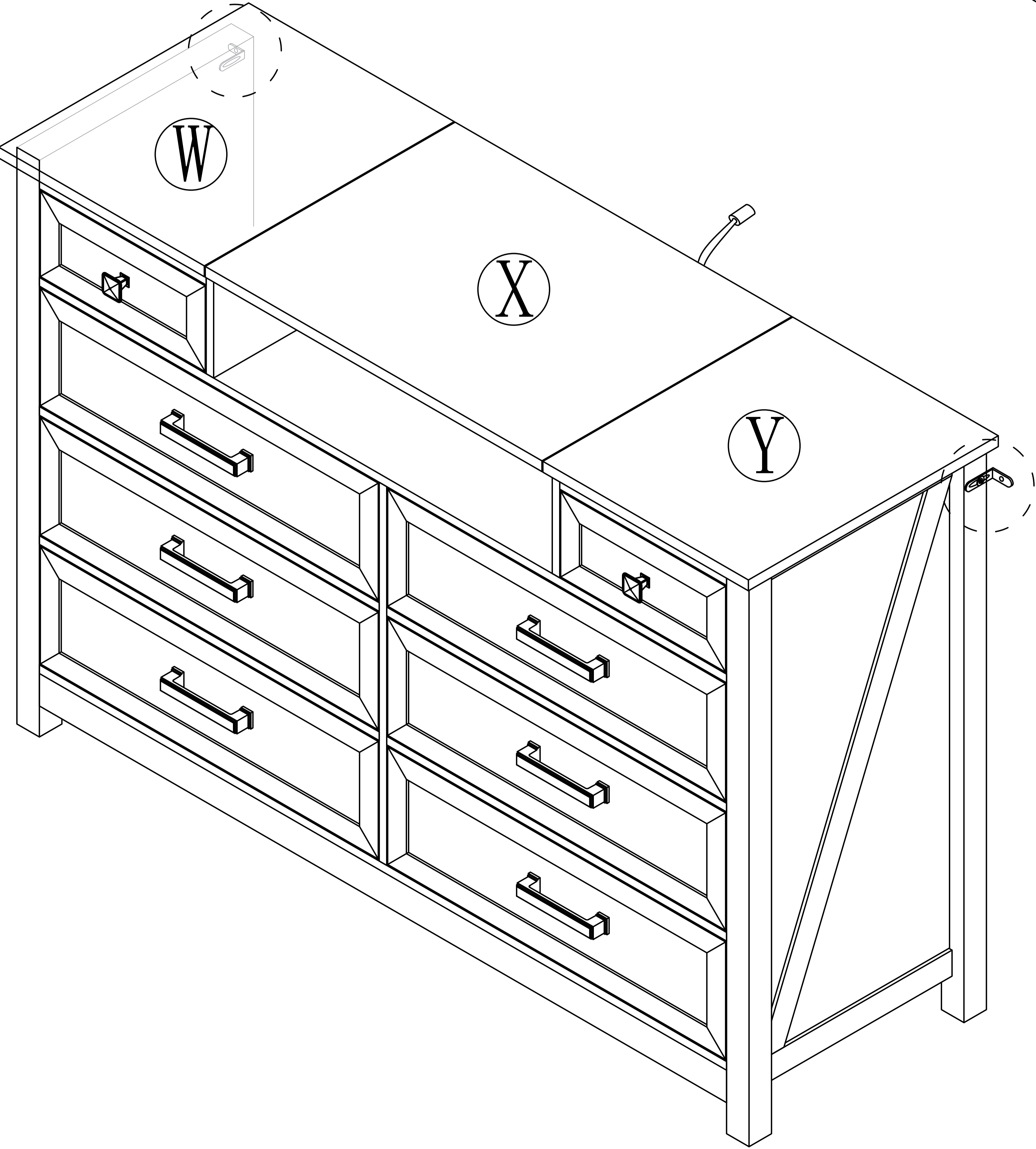


Step 73

- 15  x2
-  x2  x2



Drill the hole with an electric drill and punch in the colloidal particles



4x45mm

Fix the dressing table to the wall

Step 74

