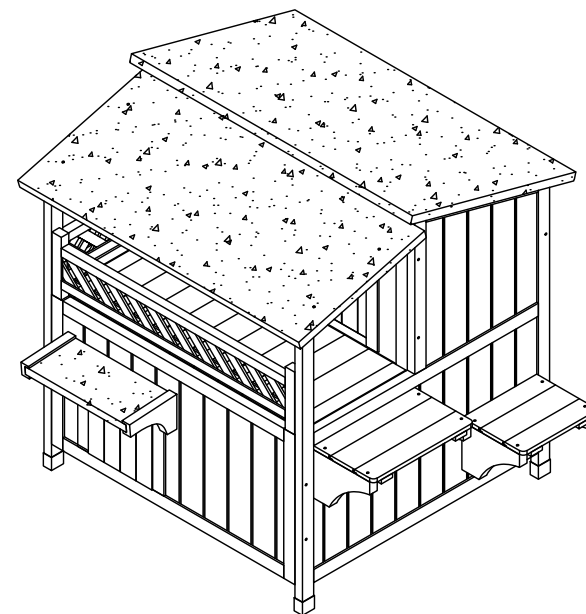


ASSEMBLY INSTRUCTIONS  
PLEASE RETAIN THESE INSTRUCTIONS FOR FUTURE USE



TIME ASSEMBLE : 30-60 minutes



NUMBER OF PERSON: 2

Greeting!  
So here I am

## *your new pet house*

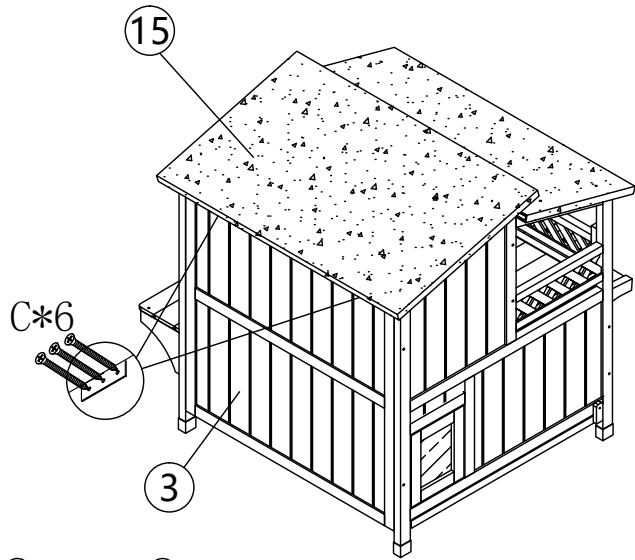
- ▶ Thanks for letting me be a home for your furry friend(s).
- ▶ They'll be cozy and protected from the weather when they're with me.
- ▶ Just remember to take care of me too, so I can last a long time.
- ▶ When you first get me, you might smell a funny smell. Don't worry it's not dangerous.
- ▶ Just let me air out for a few days and the smell will go away.
- ▶ Be careful when you're putting me together because some of my parts can be sharp or heavy.
- ▶ Make sure to start by loosely putting in screws, and then tighten them all before using me.
- ▶ If you notice anything broken or missing, stop using me until it's fixed. and please follow the instructions from the maker so your warranty stays good.
- ▶ You can use me both inside and outside, but if you put me outside, make sure to give me an extra cover to keep me from getting moldy.
- ▶ I like to be on a level surface so my doors work smoothly.
- ▶ Keep me away from fire and dangerous chemicals.
- ▶ Clean me with a damp, soapy sponge without corrosive agents.
- ▶ Dry me with a soft, clean, dry cloth.
- ▶ Do not use a high pressure cleaner on me.
- ▶ Do not use bleach, acids, solvents, or abrasive cleaners on me.
- ▶ Check that all my bolts, screws, and knobs are tight every 90 days.



## **HELP CENTER**

- ▶ Your full satisfaction is our **FIRST** priority
- ▶ We hope you enjoy it and have a good shopping experience.
- ▶ We are committed to resolve any situation when it does not meet your expectations.
- ▶ Please feel free to contact us through order detail page, we will get back to you and solve them within 24 hours.

C M3\*16 6PCS

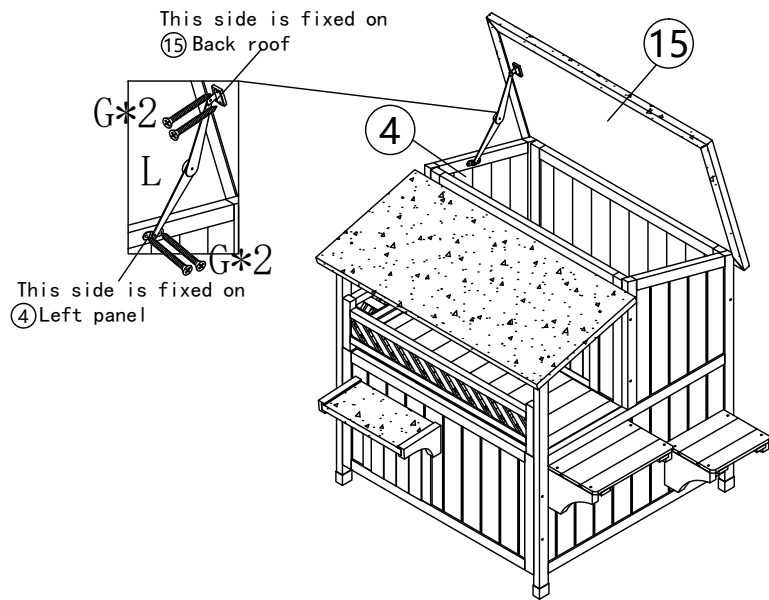


Fix ⑮ Back roof on ③ Back panel with hinge and screws.

STEP 15

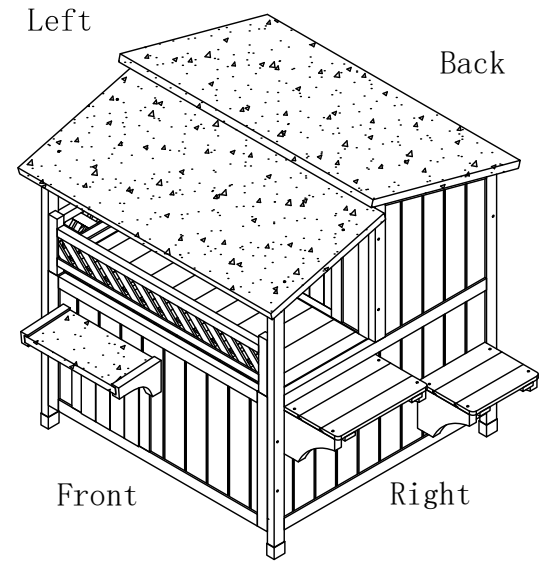
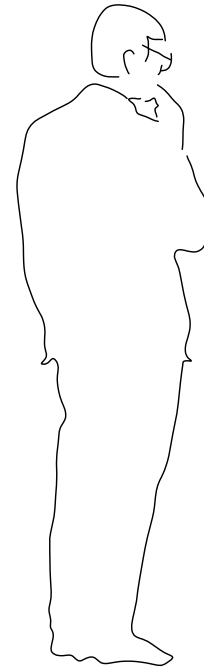
G M3\*18 4PCS

L 1PC



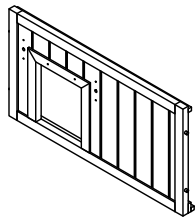
Fix (L) Left metal supporter on ④ Left panel and ⑮ Back roof with screws.

STEP 16

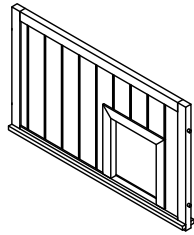


# ASSEMBLY INSTRUCTION

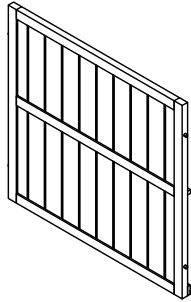
Tool Required:  Electric Drill  Phillips Screwdriver



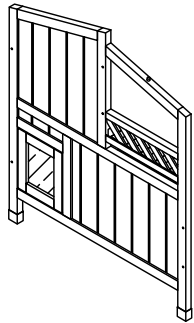
① Front down panel



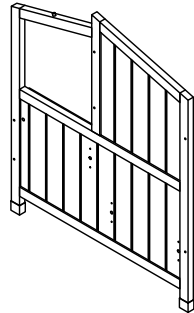
② Middle panel



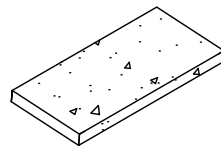
③ Back panel



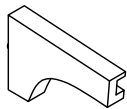
④ Left panel



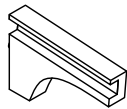
⑤ Right panel



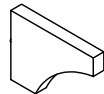
⑥ Small roof



⑦ Small roof supporter

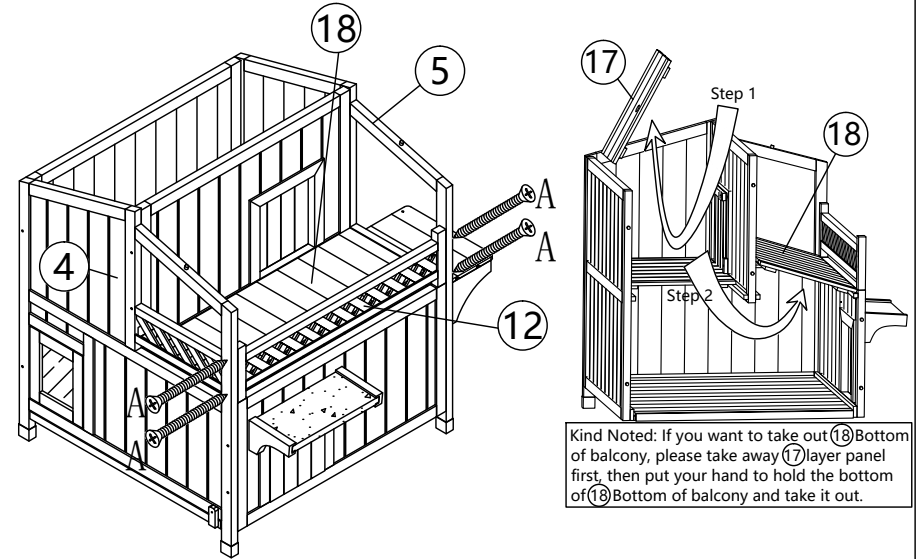


⑧ Small roof supporter



⑨ \*4 Platform supporter

A M4\*40 4PCS

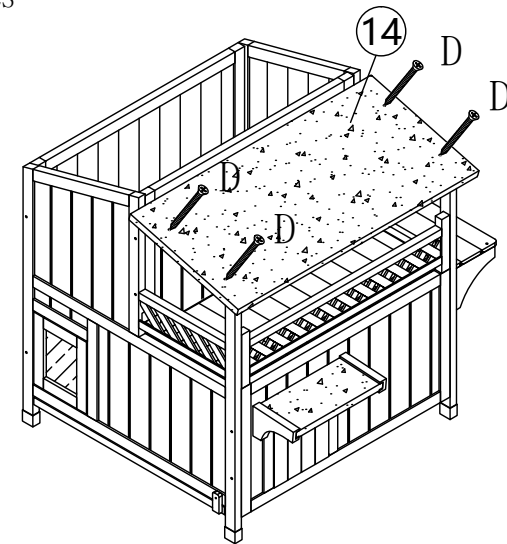


Kind Note: If you want to take out ⑱ Bottom of balcony, please take away ⑰ layer panel first, then put your hand to hold the bottom of ⑱ Bottom of balcony and take it out.

Put in ⑫ Panel of balcony, then fix it on ④ Left panel and ⑤ Right panel with screws.

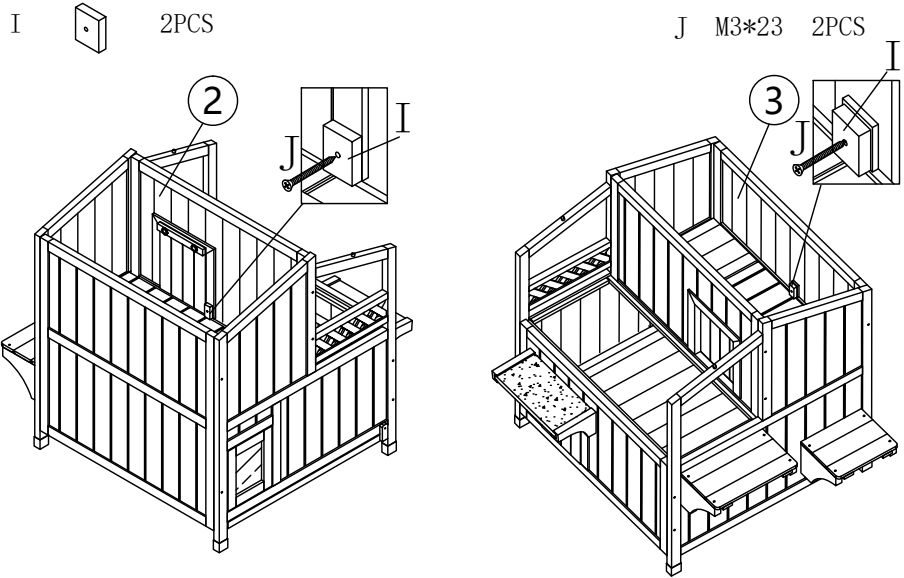
STEP 13

D M3\*35 4PCS



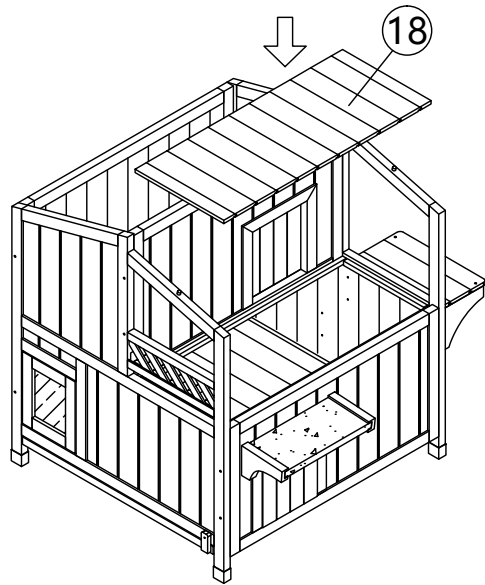
Fix ⑭ Front roof with screws.

STEP 14



Fix (I)\*2 Wooden supporter on (2) Middle panel and (3) Back panel with screws.

STEP 11

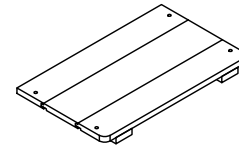


Insert (18) Bottom of balcony.

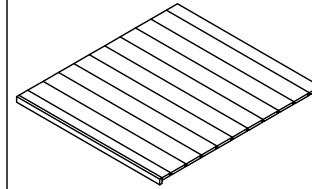
STEP 12

# ASSEMBLY INSTRUCTION

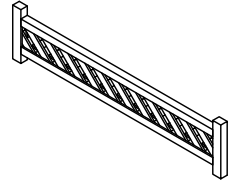
Tool Required: Electric Drill Phillips Screwdriver



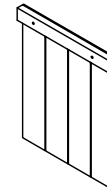
(10) Platform panel



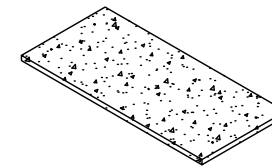
(11) Wooden tray



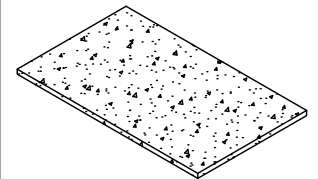
(12) Panel of balcony



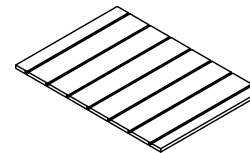
(13) \*2 Door curtain



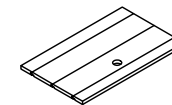
(14) Front roof



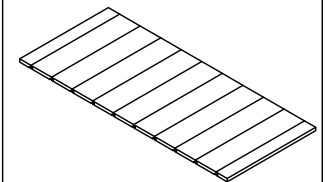
(15) Back roof



(16) layer panel



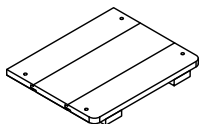
(17) layer panel



(18) Bottom of balcony








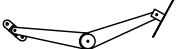


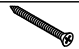
# ASSEMBLY INSTRUCTION

Tool Required:  Electric Drill  Phillips Screwdriver



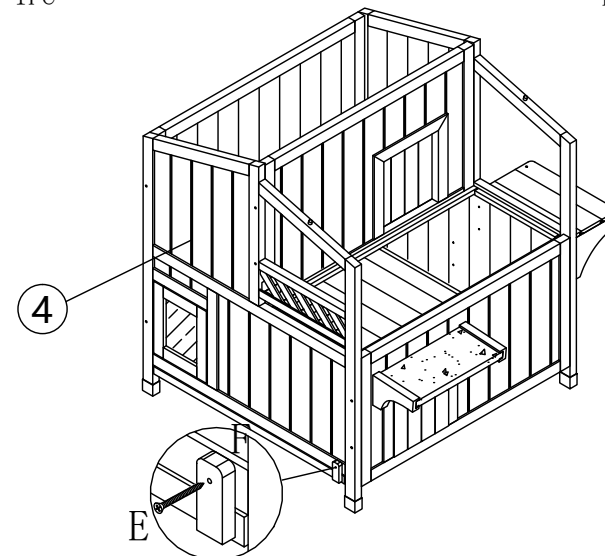
①⑨ Platform panel

## Parts Description

	A M4*40	18PCS+1
	B 	4PCS
	C M3*16	6PCS+1
	D M3*35	8PCS+1
	E M3*25	13PCS+1
	F 	1PC
	G M3*18	4PCS+1
	L 	1PC
	H M3*40	8PCS+1
	I 	2PCS
	J M3*23	2PCS+1

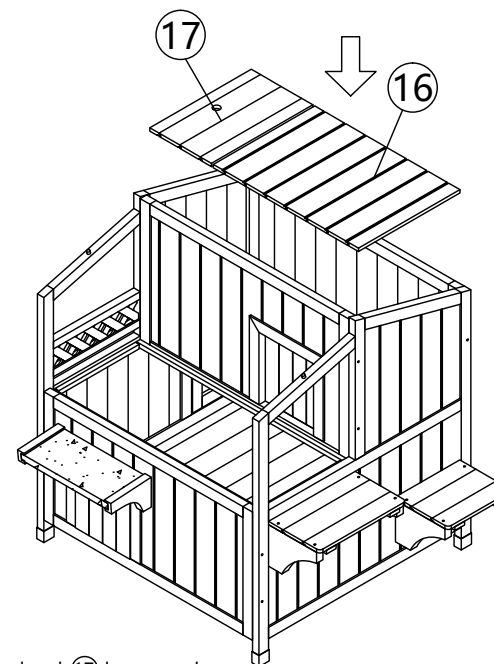
E M3\*25 1PC

F  1PC



Fix (F) Wooden knob with screw.

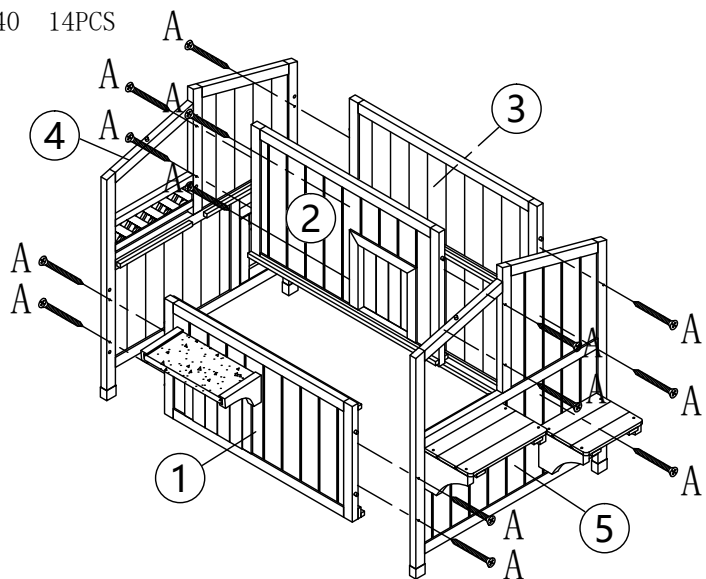
STEP 9



Insert ①⑥ layer panel and ①⑦ layer panel.

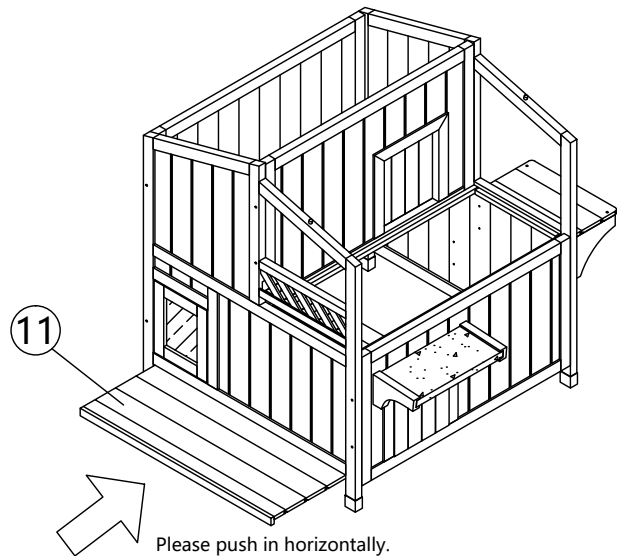
STEP 10

A M4\*40 14PCS



Fix ① Front down panel, ② Middle panel, ③ Back panel, ④ Left panel, ⑤ Right panel together with screws.

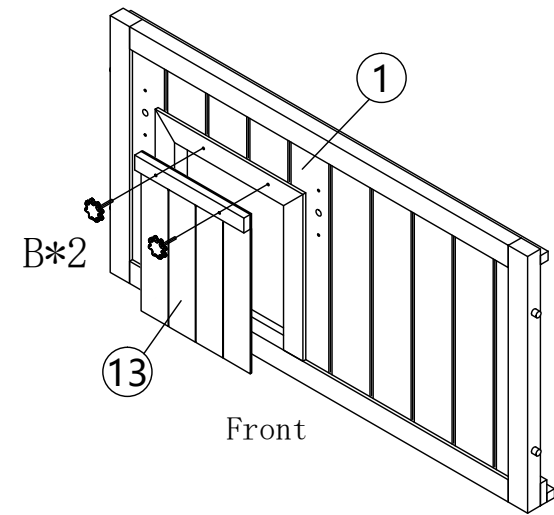
STEP 7



Insert ⑪ Wooden tray.

STEP 8

B  2PCS

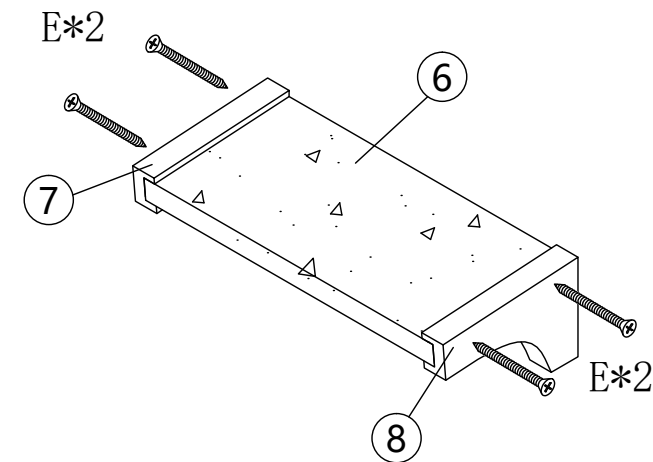


Front

Fix ⑬ Door curtain on ① Front down panel with screws.

STEP 1

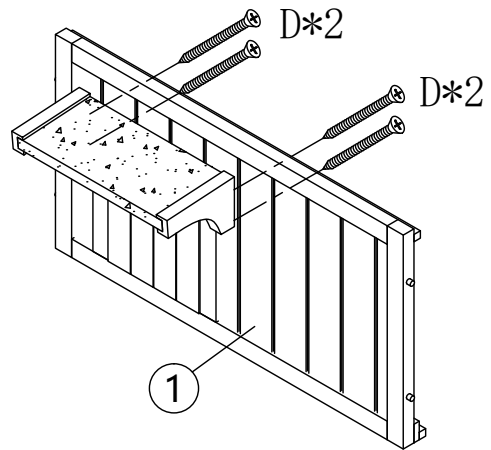
E M3\*25 4PCS



Fix ⑥ Small roof, ⑦ Small roof supporter, ⑧ Small roof supporter together with screws.

STEP 2

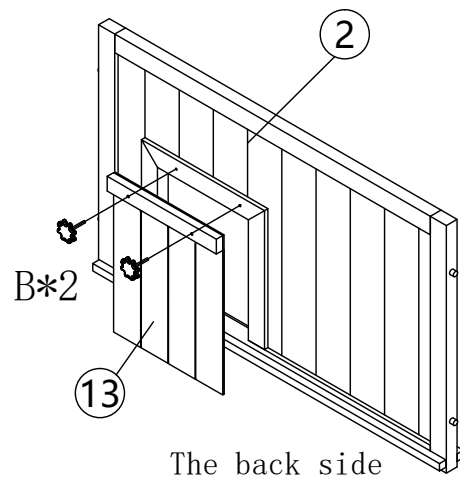
D M3\*35 4PCS



Fix the assembled part of setp 2 on (1)Front down panel with screws.

STEP 3

B  2PCS

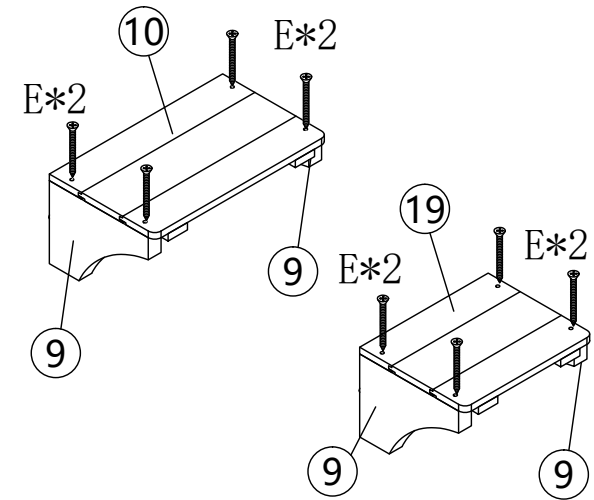


The back side

Fix (13) Door curtain on (2)Middle panel with screws.

STEP 4

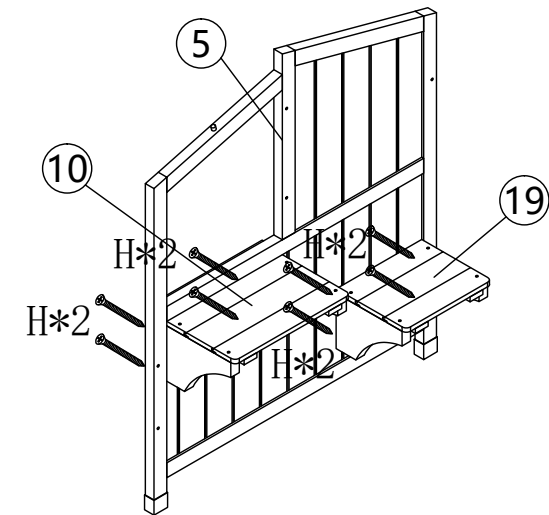
E M3\*25 8PCS



Fix (9)\*2 Platform supporter and (10) Platform panel together with screws, then Fix (9)\*2 Platform supporter and (19)Platform panel together with screws.

STEP 5

H M3\*40 8PCS



Put the assembled Step 5 on (5)Right panel with screws.

STEP 6