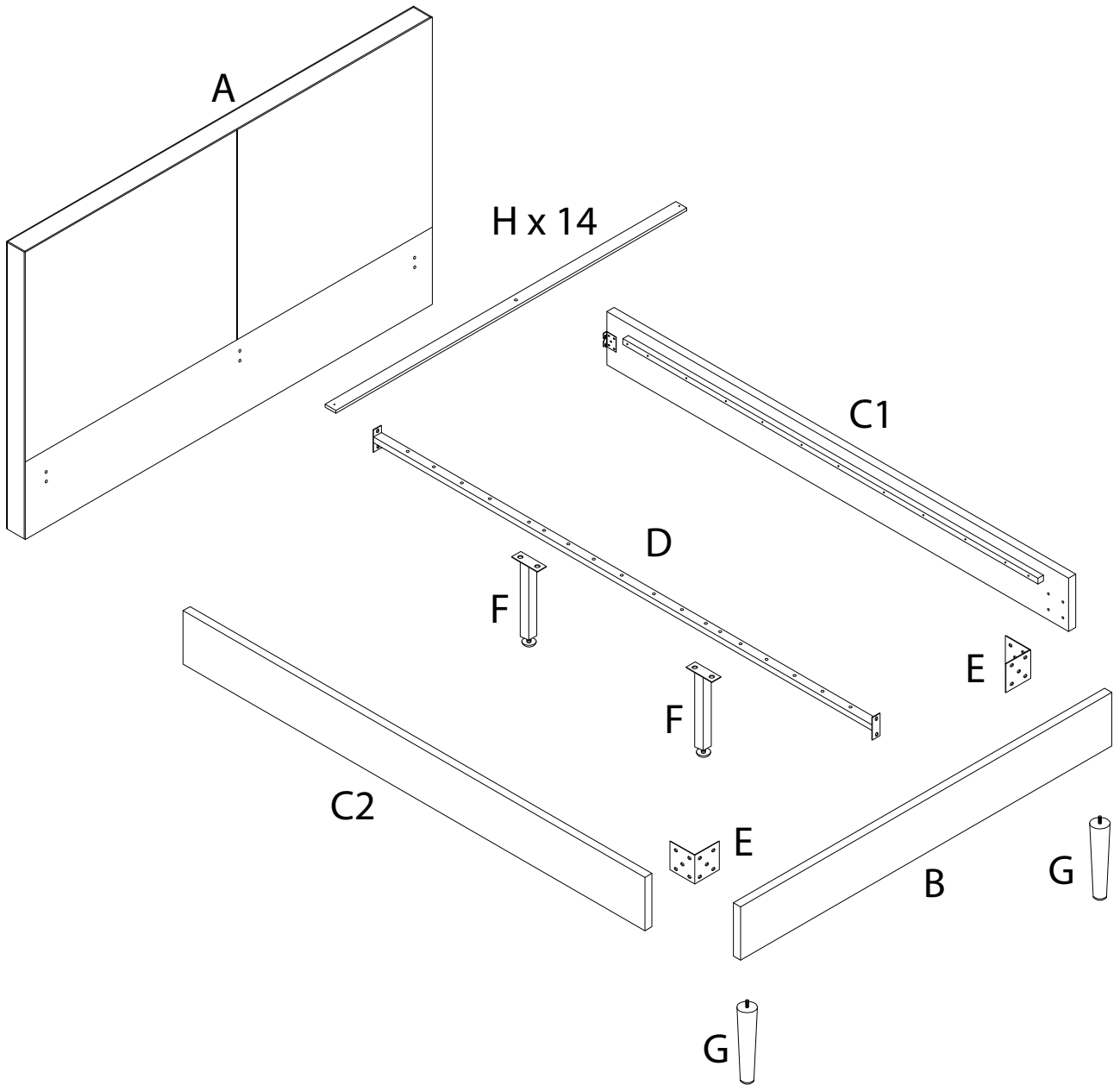
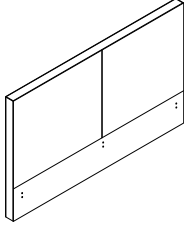
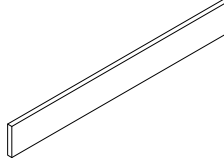
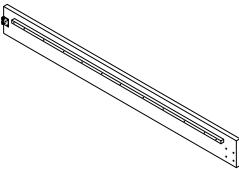
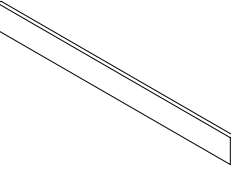
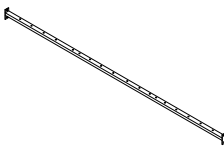


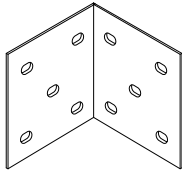
Assembly instructions for step 1/7:

- Tools:** A circle containing an Allen key, a screwdriver, and a wrench. A power drill is shown with a diagonal line through it, indicating it should not be used.
- Warning:** A triangle with an exclamation mark.
- Time:** A clock icon with the text "40'" below it, indicating the estimated assembly time.
- Personnel:** A stick figure icon with the number "2" below it, indicating that two people are required for assembly.



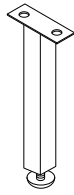
| A | B | C1 | C2 | D |
|--|--|--|---|--|
|  x 1 |  x 1 |  x 1 |  x 1 |  x 1 |

E



x 2

F



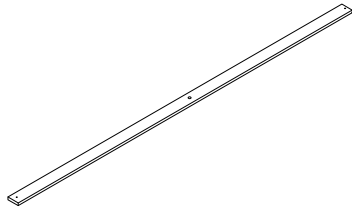
x 2

G



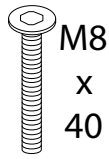
x 2

H



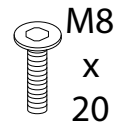
x 14

J



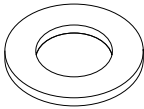
x 24

K



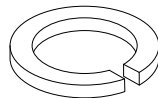
x 18

L



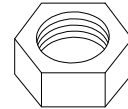
x 44

M



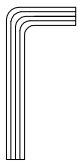
x 30

N



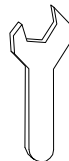
x 20

O



x 1

P



x 1

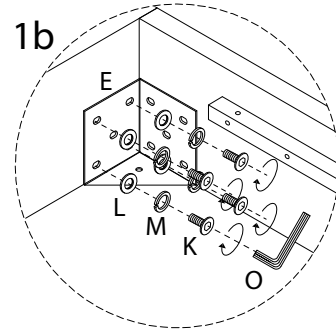
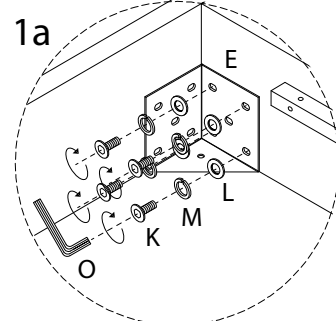
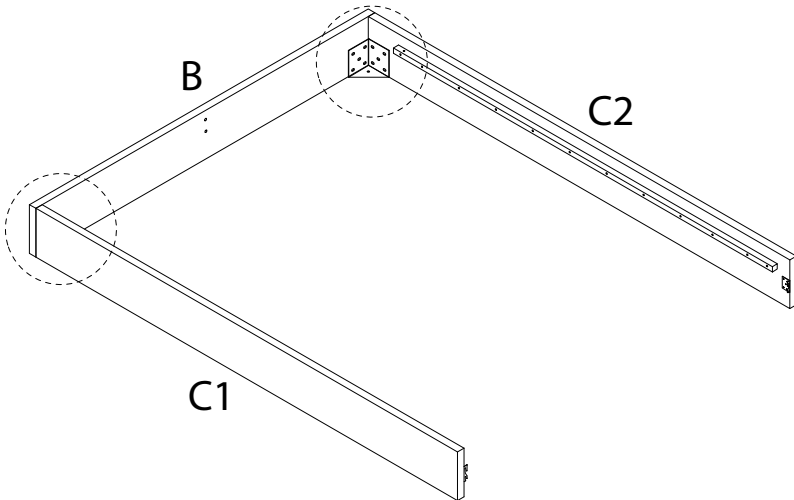
Q



x 28

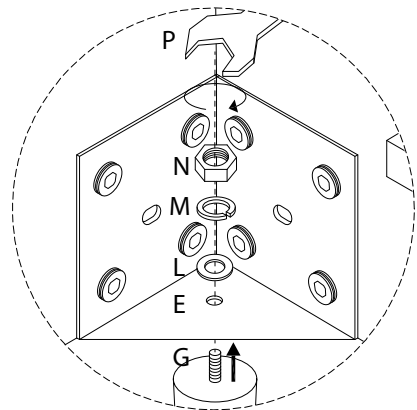
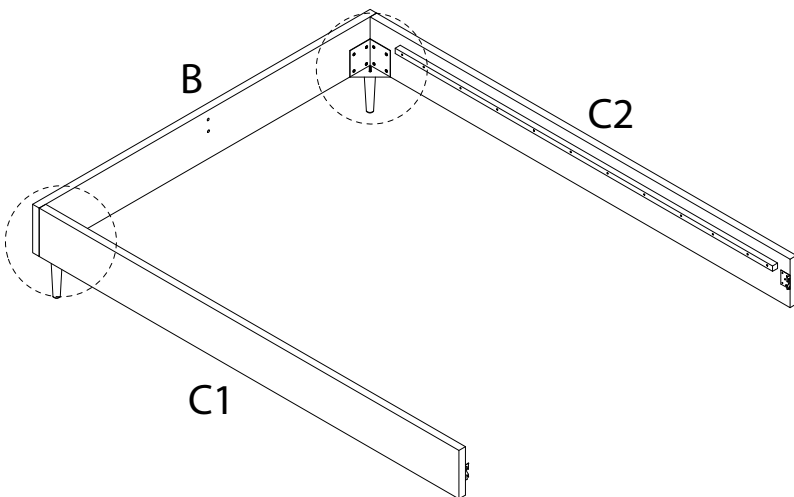
1

| | | | | | | | |
|---------------------|----------------------|----------------------|---------------------|----------------------|----------------------|----------------------|---------------------|
| B x 1 | C1 x 1 | C2 x 1 | E x 2 | K x 16 | L x 16 | M x 16 | O x 1 |
|---------------------|----------------------|----------------------|---------------------|----------------------|----------------------|----------------------|---------------------|

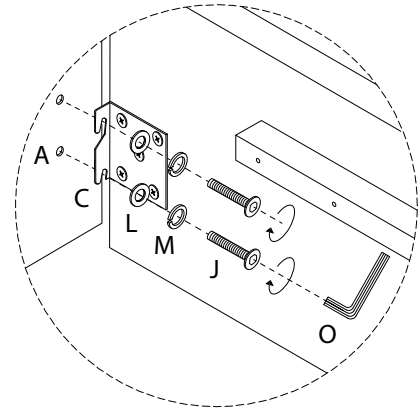
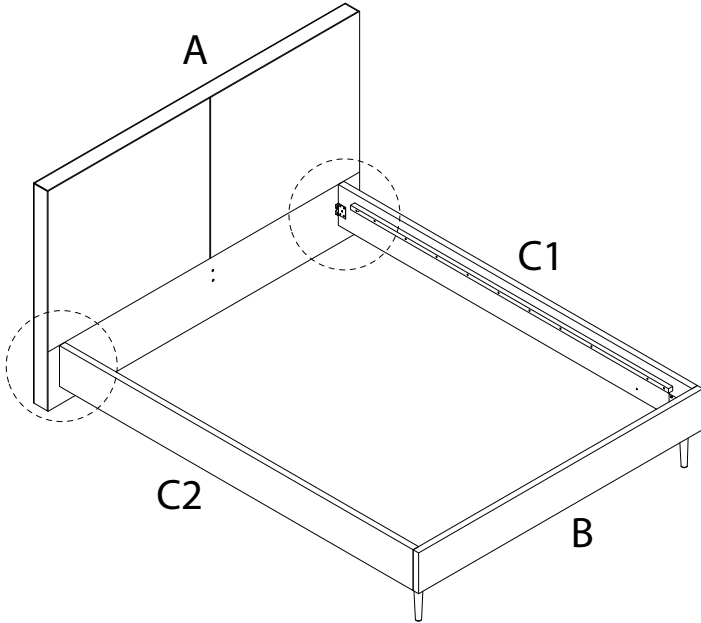
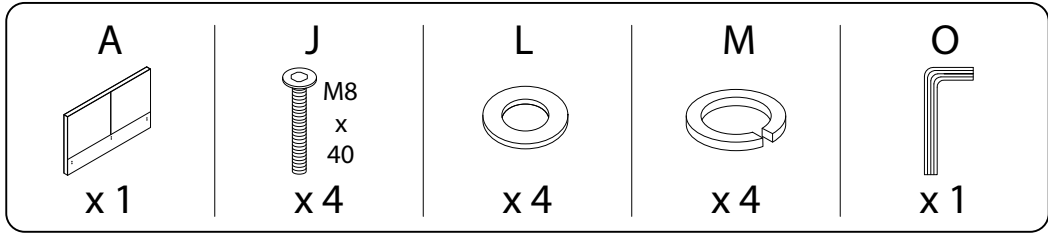


2

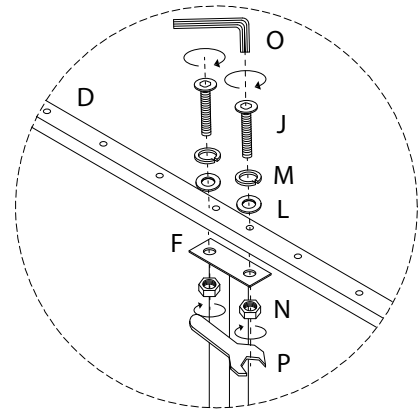
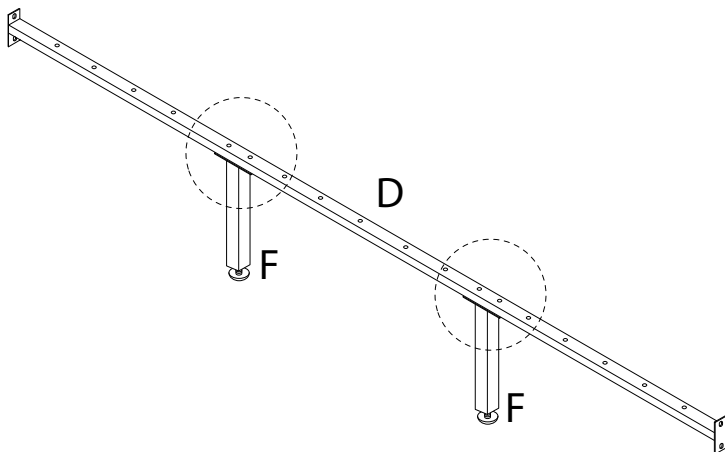
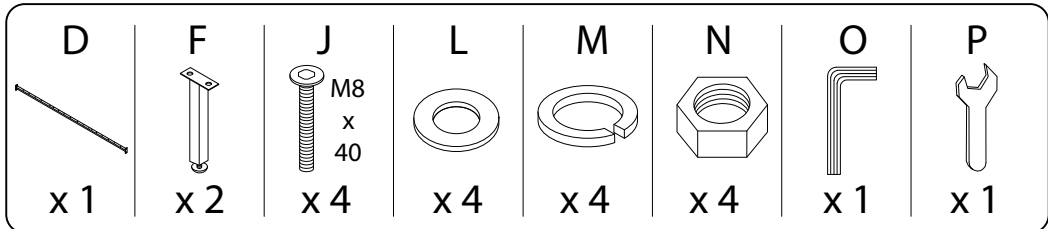
| | | | | |
|---------------------|---------------------|---------------------|---------------------|---------------------|
| G x 2 | L x 2 | M x 2 | N x 2 | P x 1 |
|---------------------|---------------------|---------------------|---------------------|---------------------|



3



4



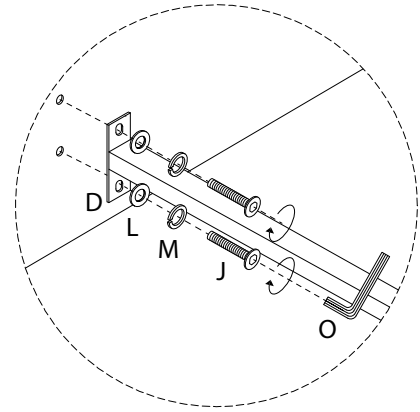
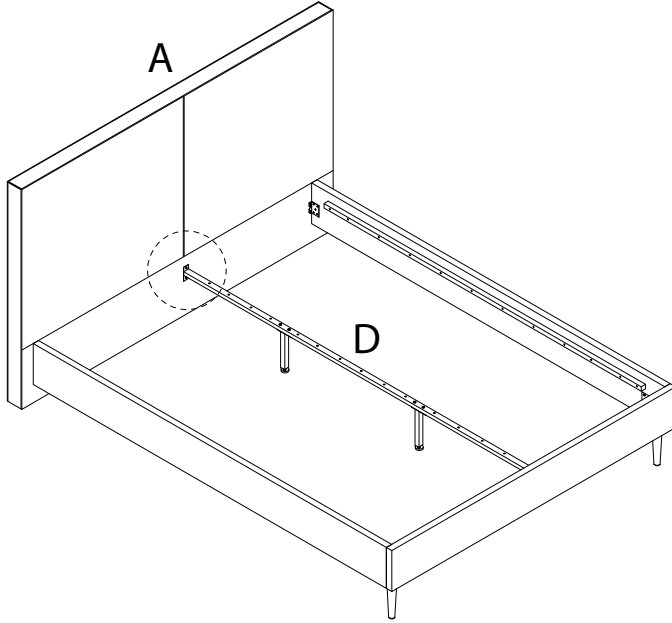
5

J
M8
x
40
x 2

L
x 2

M
x 2

O
x 1



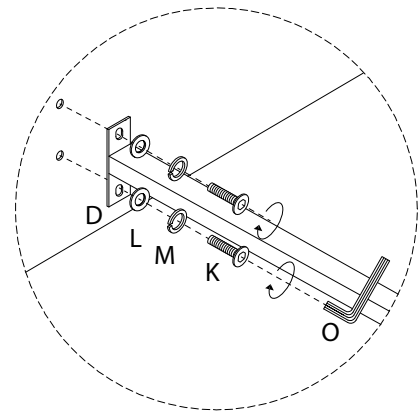
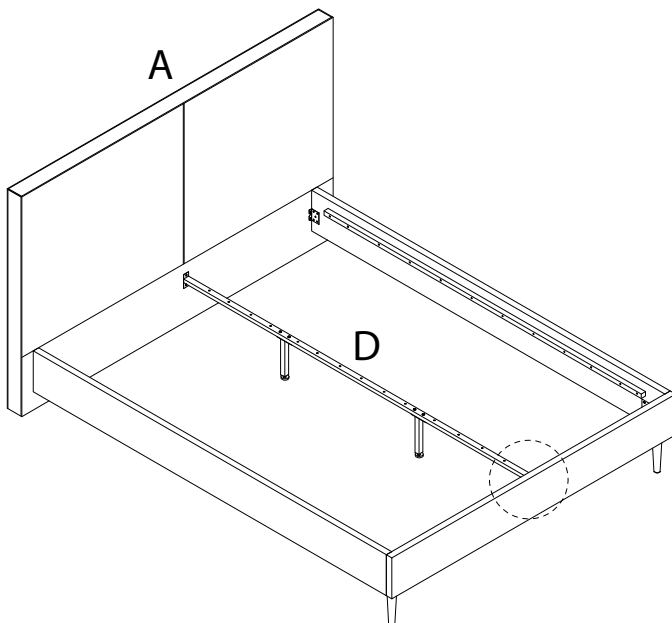
6

K
M8
x
20
x 2

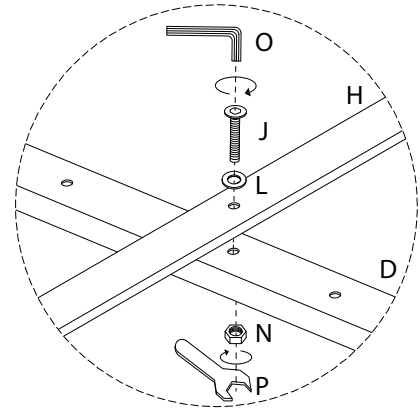
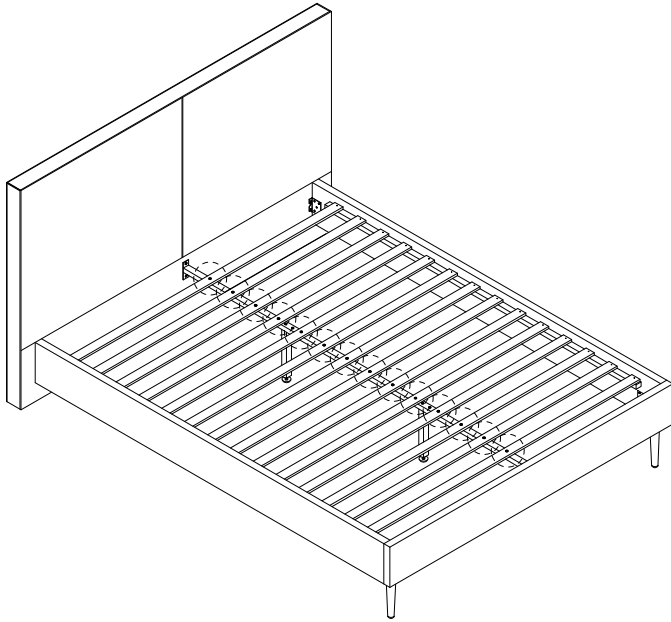
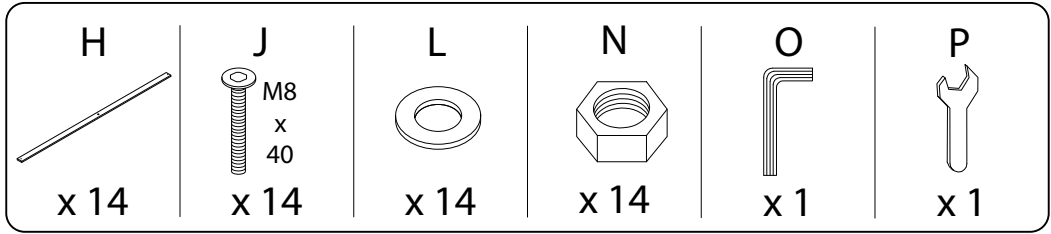
L
x 2

M
x 2

O
x 1



7



8

