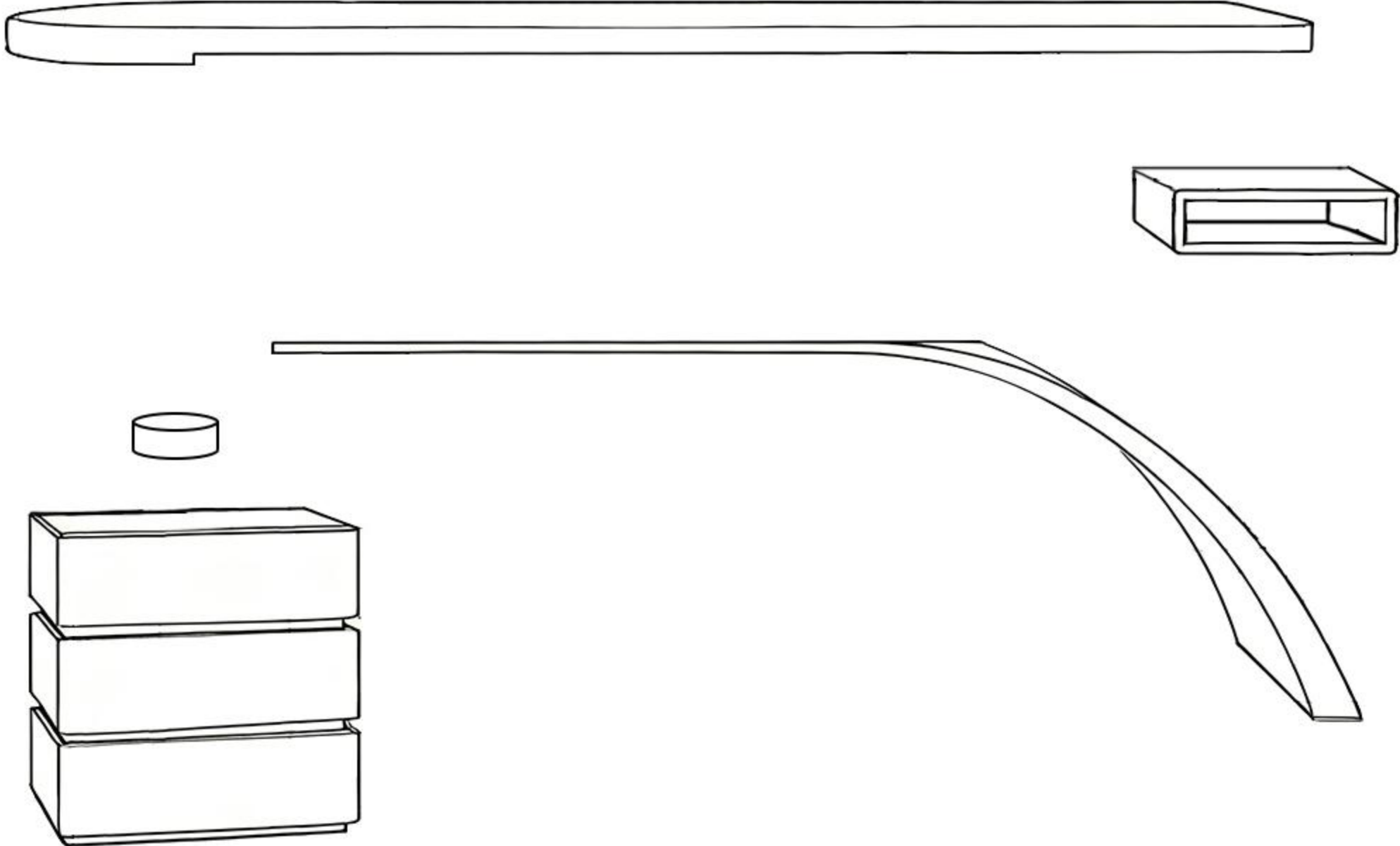
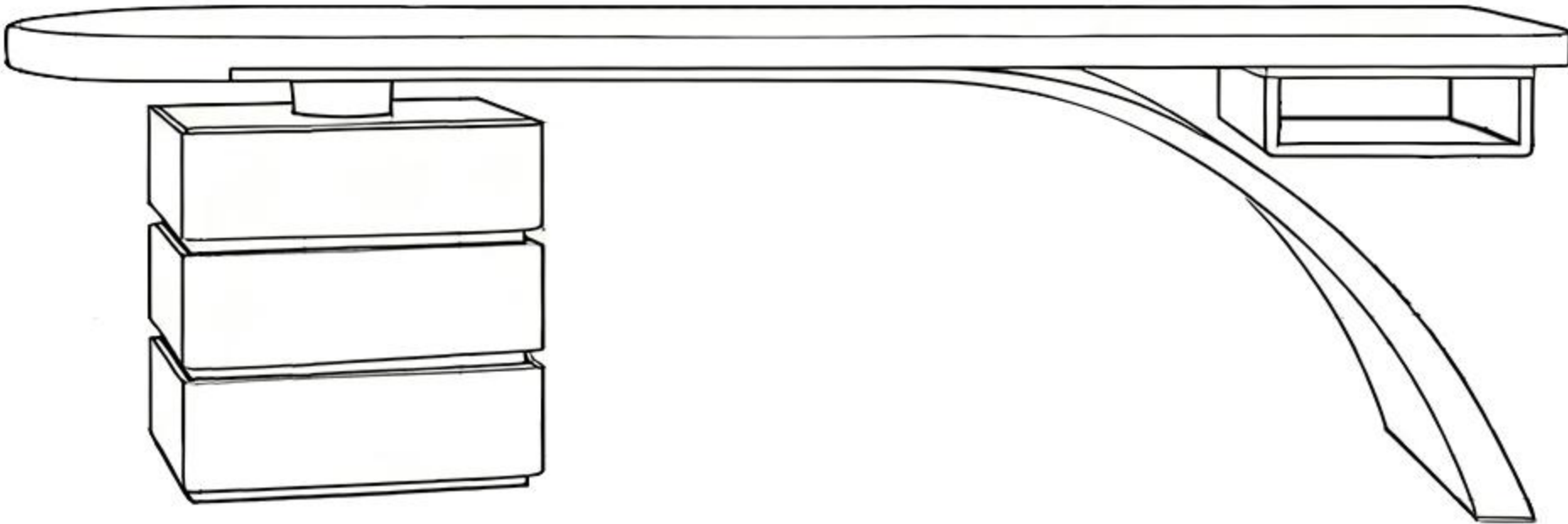


INSTALLATION INSTRUCTIONS



#1 Screw



Flat washer

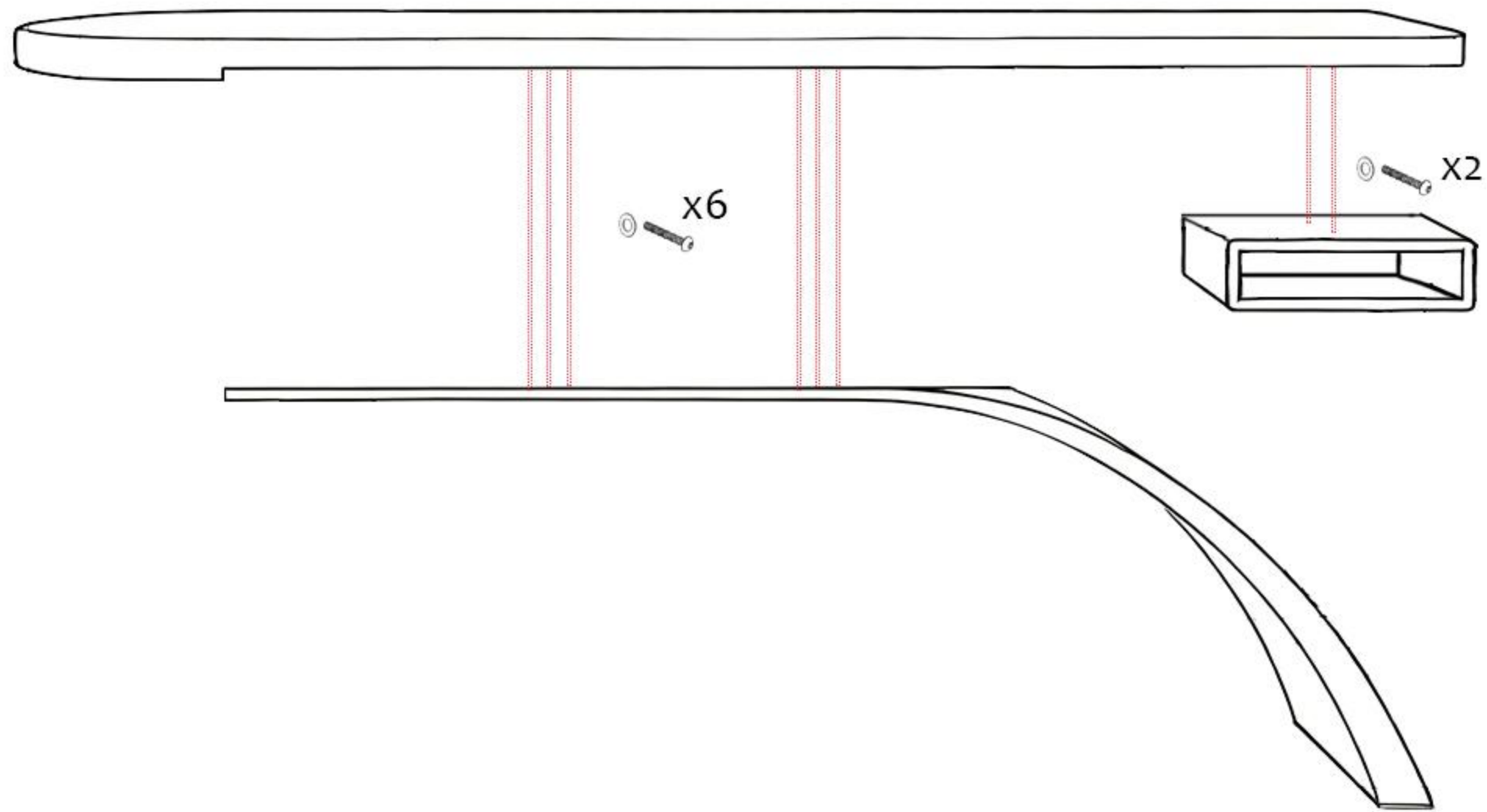


#2 Screw



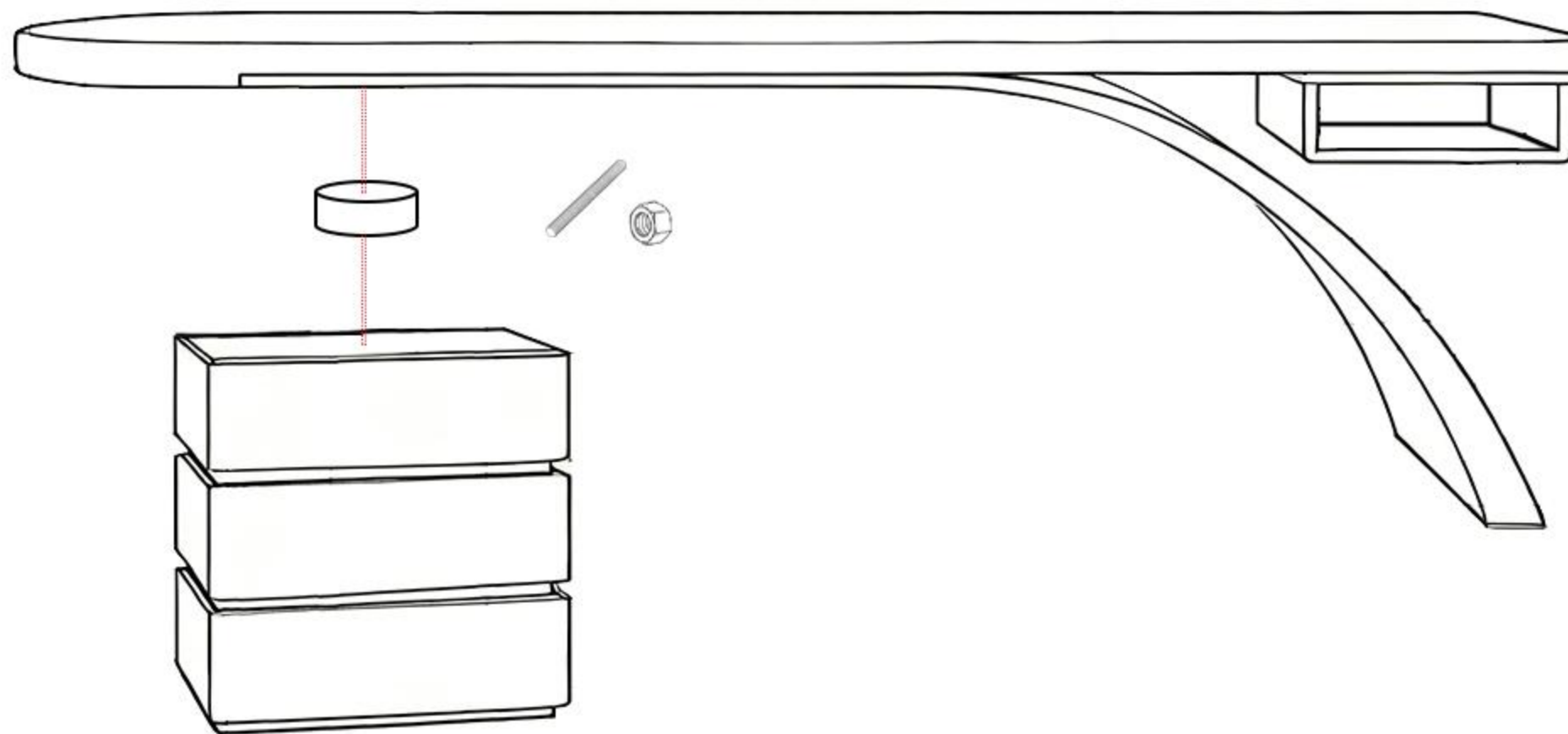
Hexagonal nut

STEP 1



Assemble the washer onto the screw, insert the fastener into the pre-drilled hole, and secure it by tightening.

STEP 2



First, thread the #2 screw into the pre-drilled hole in the bottom of the desktop. Then, run it up through the cylindrical part and into the matching hole in the cabinet. Finally, secure it from inside the cabinet by tightening a nut onto the screw.