

METAL TABLE

ASSEMBLY INSTRUCTION



ASSEMBLY INSTRUCTIONS

ASSEMBLY TIPS:

1. Remove hardware from box and sort by size.
2. Please check to see that all hardware and parts are present prior start to of assembly.
3. Please follow attached instructions in the same sequence as numbered to assure fast & easy assembly.



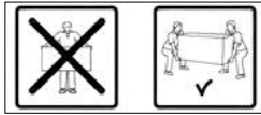
Warning !

1. Don't attempt to repair modify parts that are broken or defective . Please contact the store immediately.
2. This product is for home use only and not intended for commercial establishment.

PARTS IDENTIFICATION

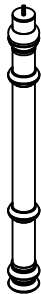
Z

HARDWARE PACKAGE



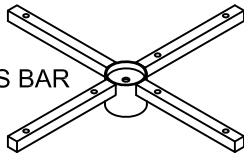
ASSEMBLY TIME PER UNIT: 20 MINUTES

A LEG



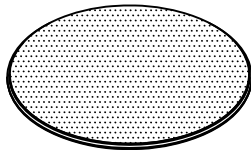
1pc

B MOUNTING CROSS BAR



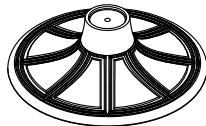
1pc

C TABLE TOP



1pc

D BASE








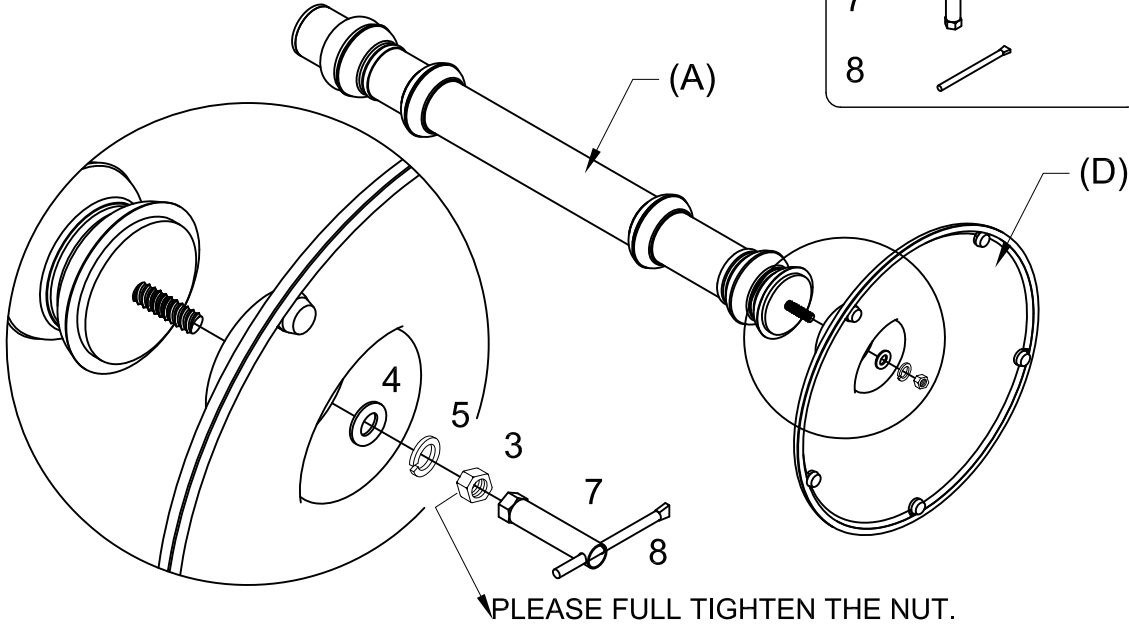
1pc

NO	DESCRIPTION	FIGURE	Q`TY
1	BOLT $\frac{1}{4}$ "x $1\frac{1}{4}$ "		8pcs
2	SMALL WASHER ϕ 16mm		8pcs
3	NUT $\frac{3}{8}$ "		2pcs
4	LARGE WASHER ϕ 20mm		2pcs
5	LOCK WASHER ϕ 15mm		2pcs
6	ALLEN WRENCH 4x4mm		1pc
7	WRENCH SOCKET		1pc
8	WRENCH SOCKET HANDLE		1pc






ASSEMBLY INSTRUCTION

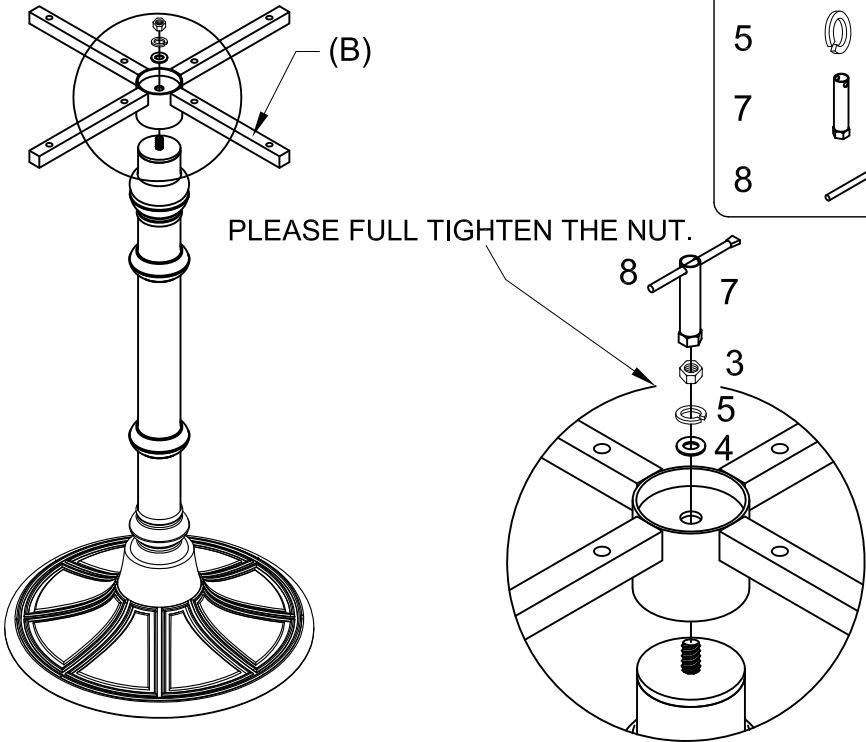
STEP1 :

3		1pc
4		1pc
5		1pc
7		
8		



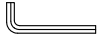


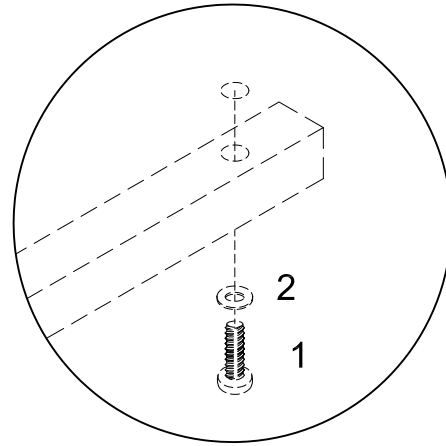
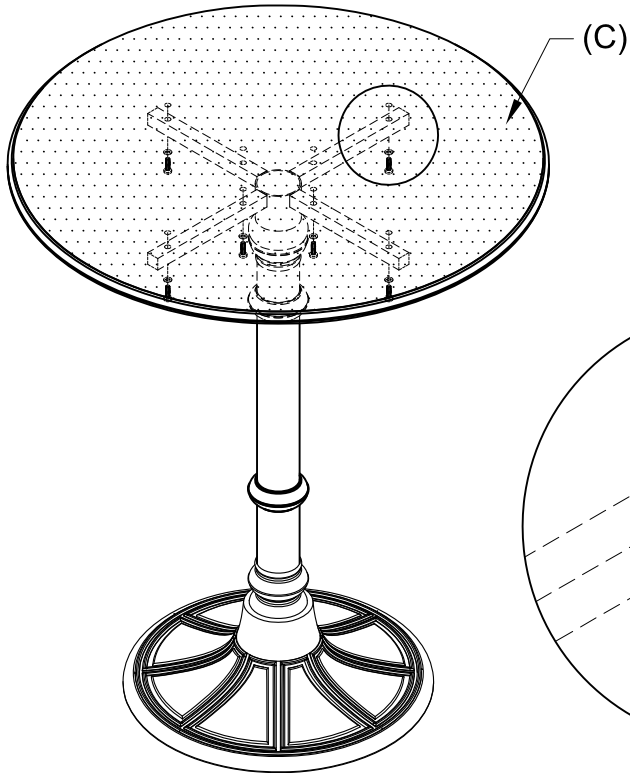
STEP2 :

3		1pc
4		1pc
5		1pc
7		
8		



STEP3 :

- | | | |
|---|---|------|
| 1 |  | 8pcs |
| 2 |  | 8pcs |
| 6 |  | |



STEP4 :

