



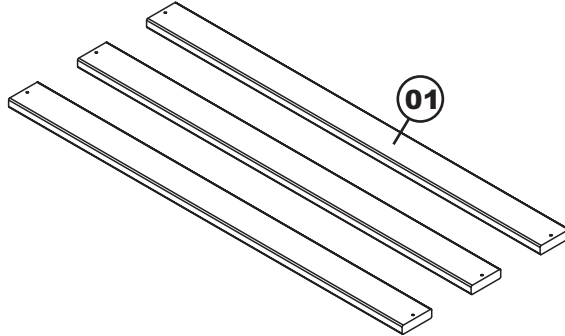
# FOUNDATION SUPPORT BOARDS

## ASSEMBLY INSTRUCTIONS ( TWIN )

Before assembling your Support boards, please read through these instructions carefully and familiarize yourself with the different parts.  
Please note that you will require a Phillips screwdriver.

### PARTS LIST

**01 SUPPORT BOARDS 3 PCS**



**PO :**

NOTE: WE INCLUDE SPARE HARDWARE IN CASE THE WOOD SCREW ARE DAMAGED DURING ASSEMBLY.

**A**



1 1/4" Wood screw - 6 pcs  
Spare - 1 pc

**HARDWARE**

### Step 1

Assemble bed frame according to assembly instructions.

### Step 2

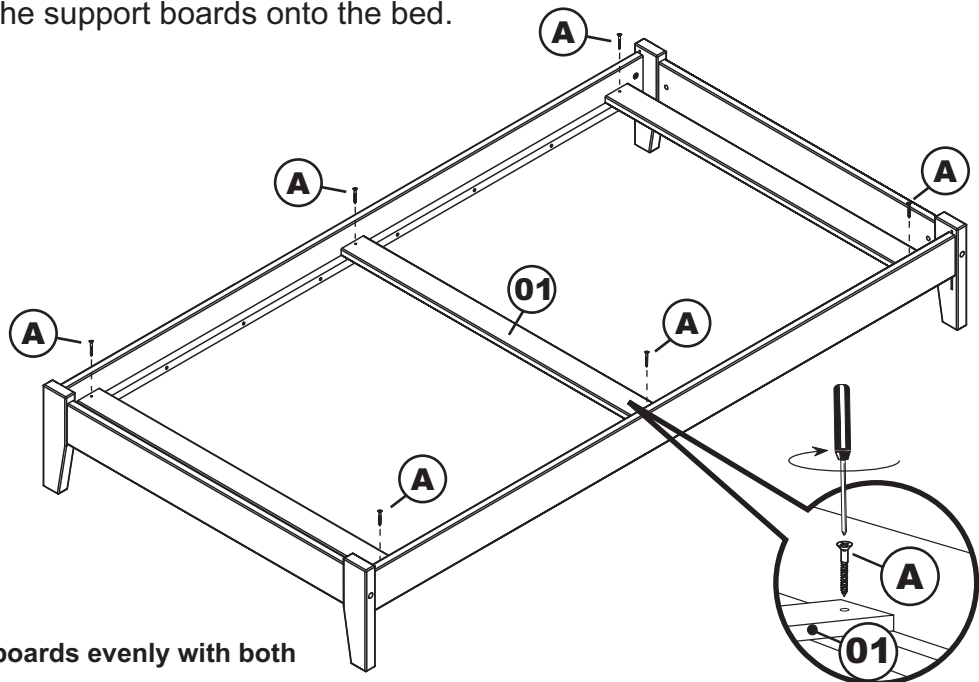
Lay the support boards onto the bed.



Adult assembly



Wood screw



### Step 3

**Be sure to align support boards evenly with both ends of side rails.**

Screw support boards (01) to side rails, using wood screw (A).  
Tighten with Phillips screw driver. (Customer supplied)  
Be sure the space between support boards is even.