



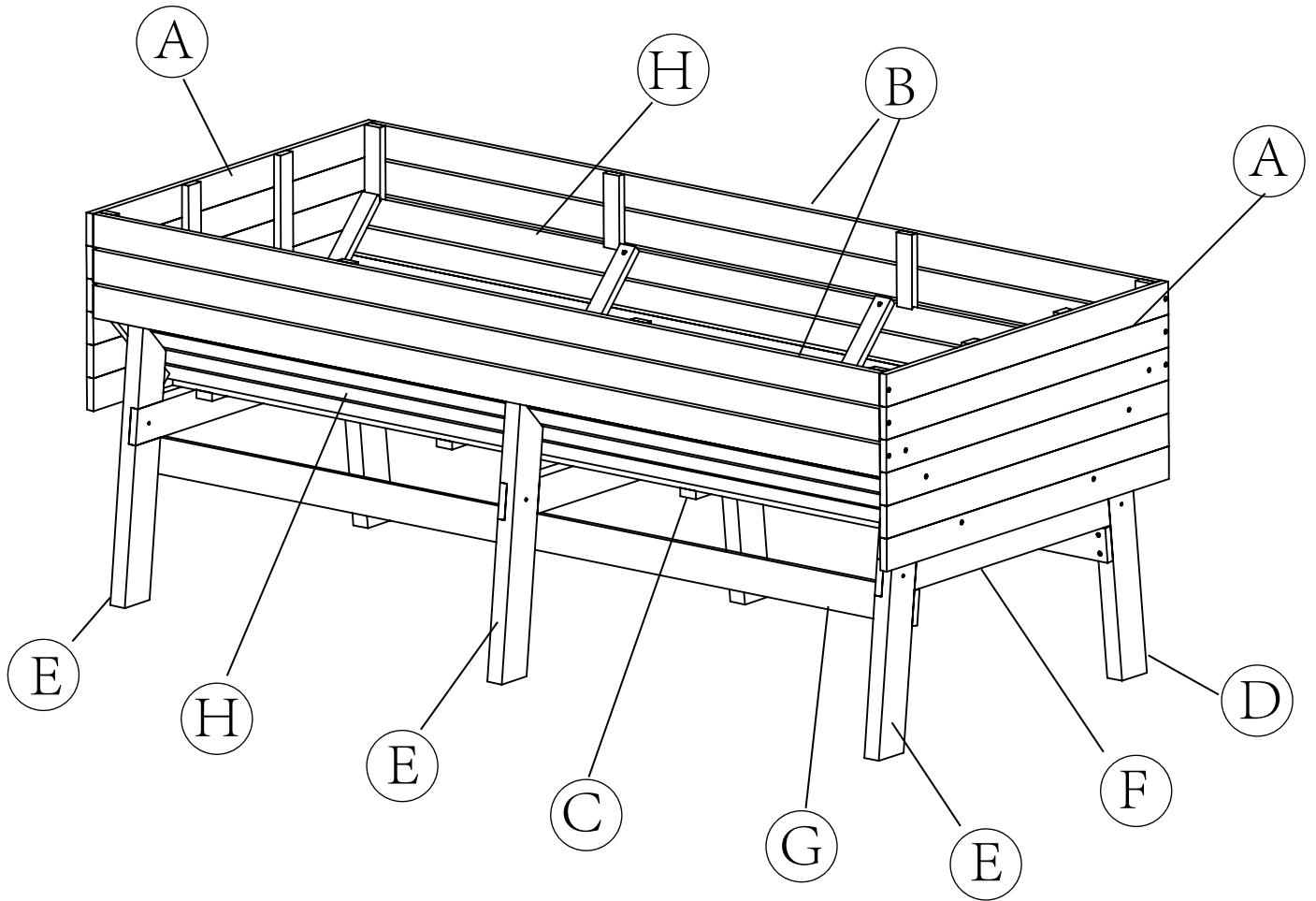
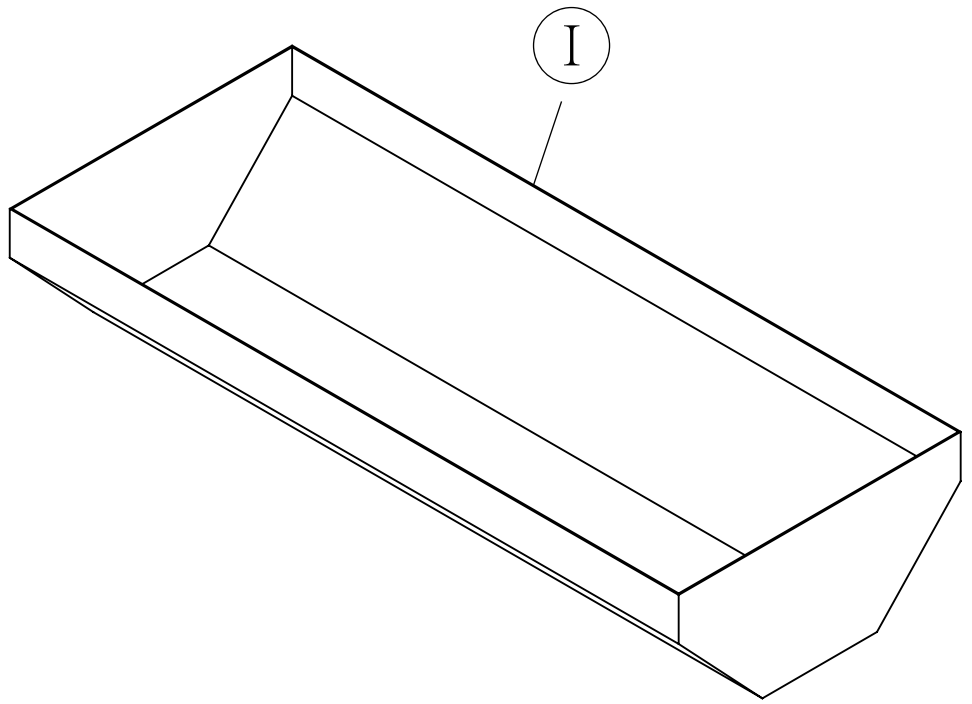
STOP

**MISSING A PART?
CALL US BEFORE GOING
BACK TO THE STORE**


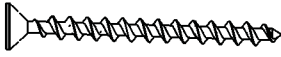
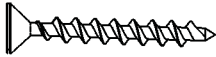
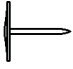
Please have the following information ready when you contact us, so we can assist you promptly.

- Order number or PO number (you can find the info on your invoice, receipt or platform account).
- The model number of the product (printed on the package box).
- Description of the part from the parts list.

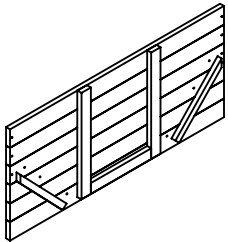
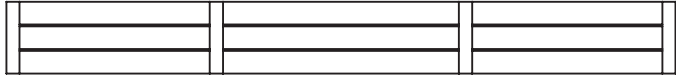
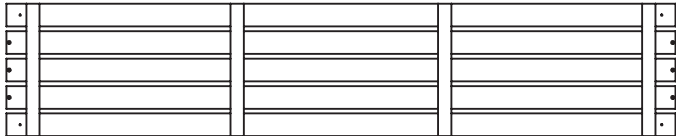


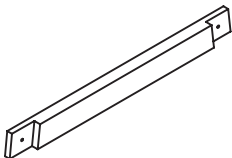
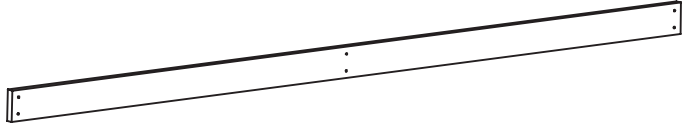
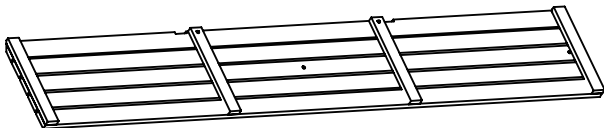
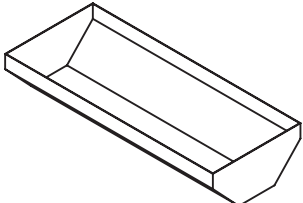
-
- Read entire assembly manual,paying special attention to the important tips and safety information .
 - Ensure there are no missing pieces by first separating and identifying all parts.
 - Make sure to check packing material for small parts that may have fallen out during shipment.
 - Structures are not intended for public use.The Company does not warranty any of its residential structures subjected to commercial use such as:Daycare,Preschool,Nursery School,Recreational Park,or any similar Commercial Application.
 - This manual contains helpful information concerning assembly preparation,installation procedure and required maintenance.
 - Always keep safety in mind as your structure is being built.
 - Keep these instructions for future reference.



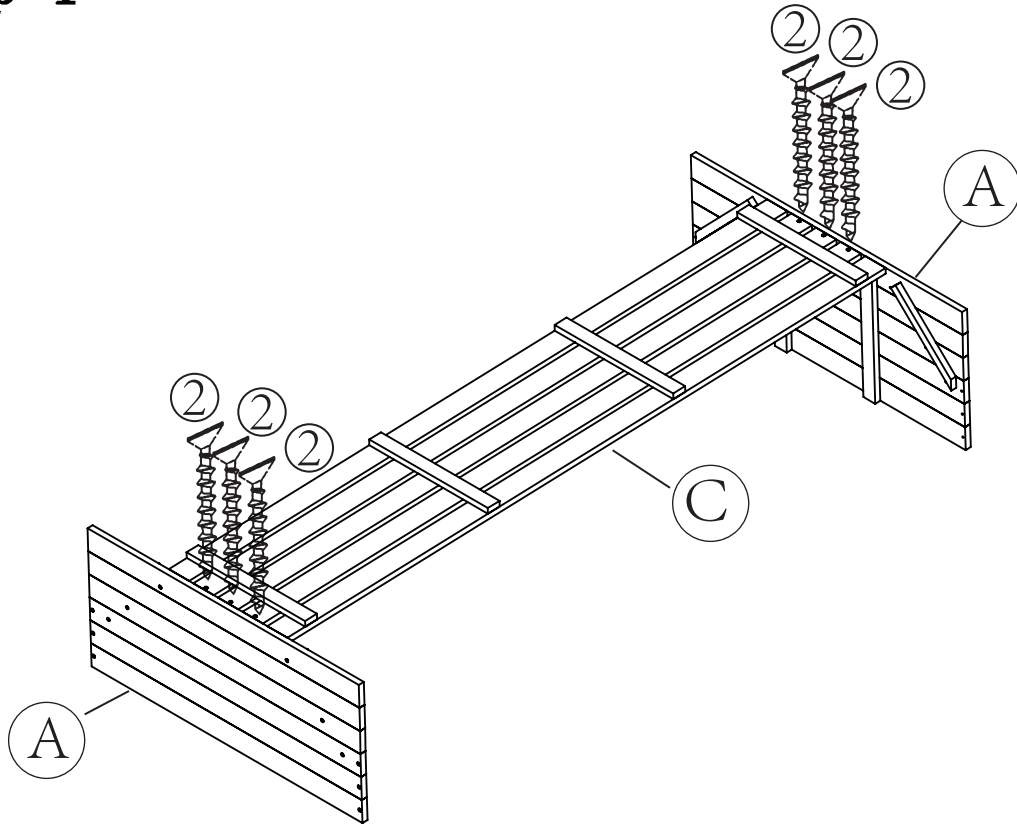
SPARE PART

 <p>① M6 x 40mm - 6Pieces</p>	 <p>② M3.5 x 35mm - 52Pieces</p>	 <p>③ M3.5 * 25mm - 4Pieces</p>
 <p>④ 14Pieces</p>		

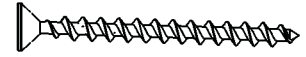
PART

<p>Ⓐ x 2 Pieces</p> 	<p>Ⓑ x 2 Pieces</p> 	
<p>Ⓒ x 1 Piece</p> 		
<p>Ⓓ x 3 Pieces</p> 	<p>Ⓔ x 3 Pieces</p> 	<p>Ⓕ x 3 Pieces</p> 
<p>Ⓖ x 2 Pieces</p> 		
<p>Ⓕ x 2 Pieces</p> 	<p>Ⓖ x 1 Piece</p> 	

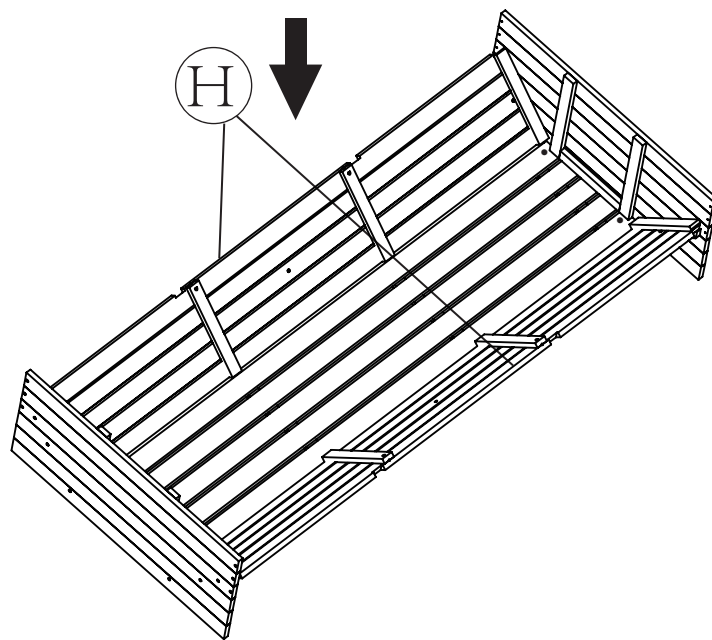
Step 1



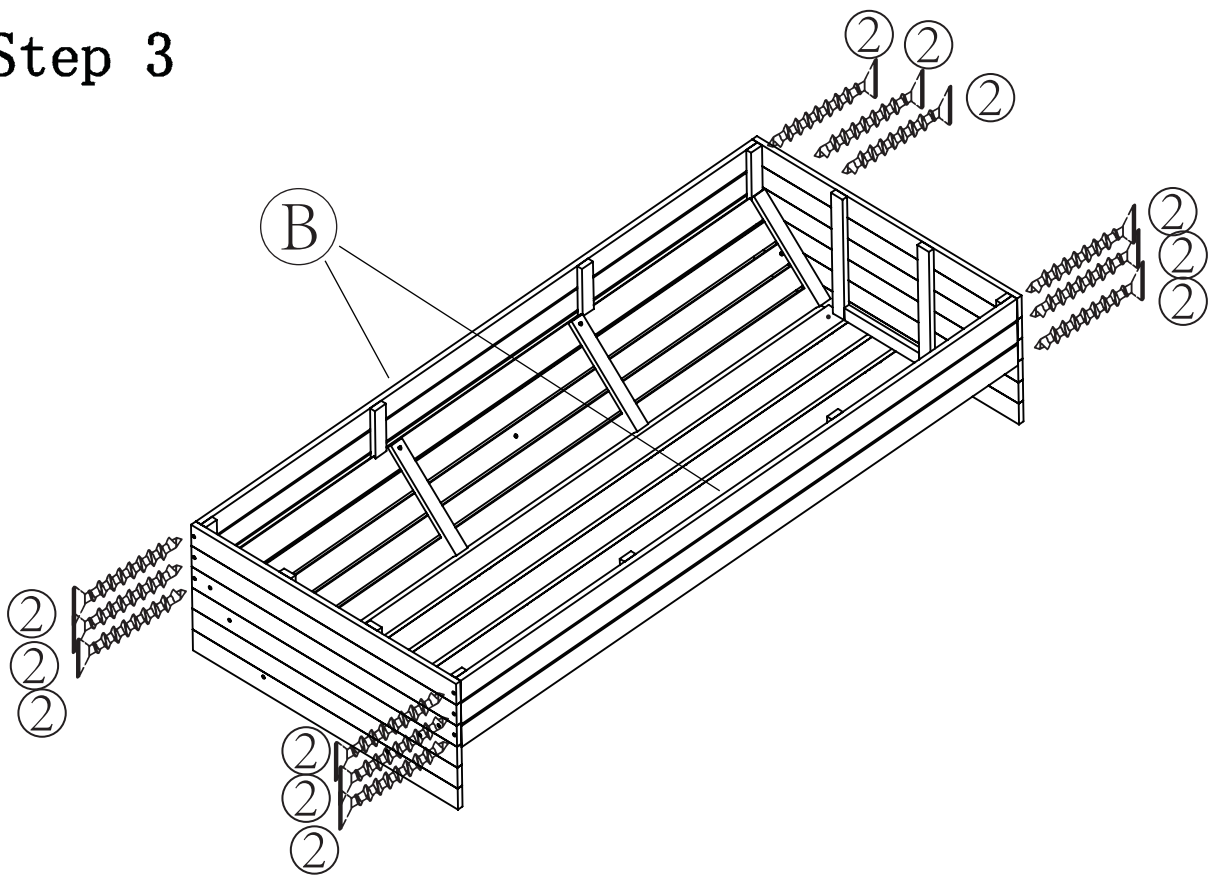
② M3.5 x 35mm - 6Pieces



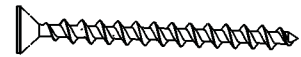
Step 2



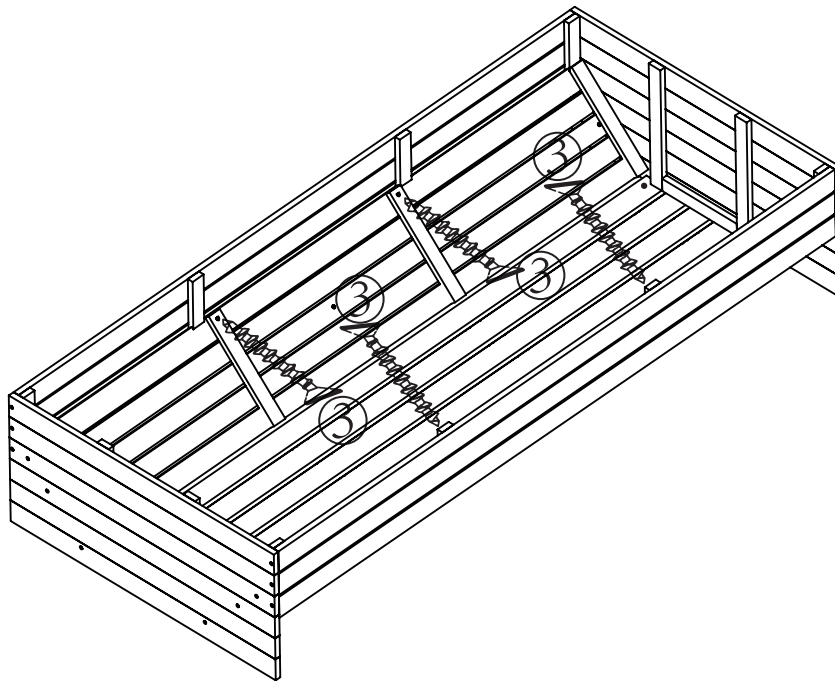
Step 3



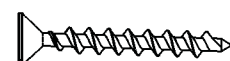
② M3.5 x 35mm -12Pieces



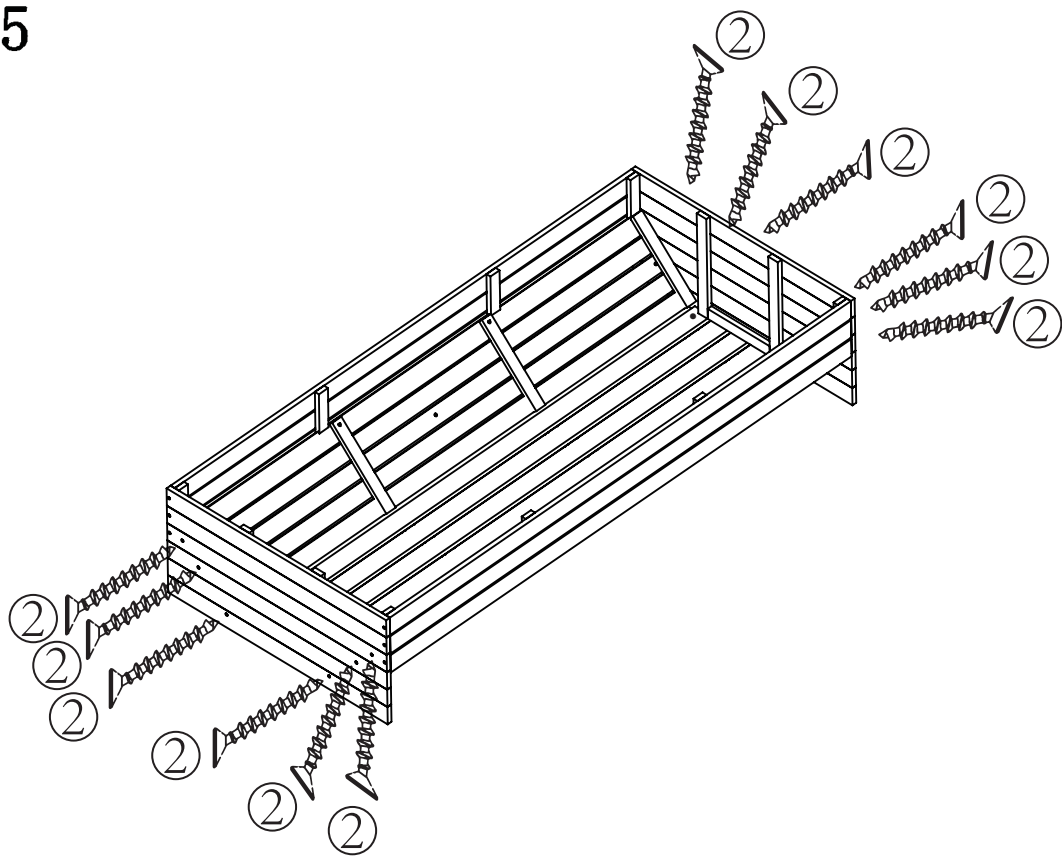
Step 4



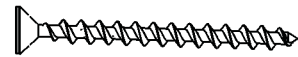
③ M3.5 x 25mm - 4Pieces



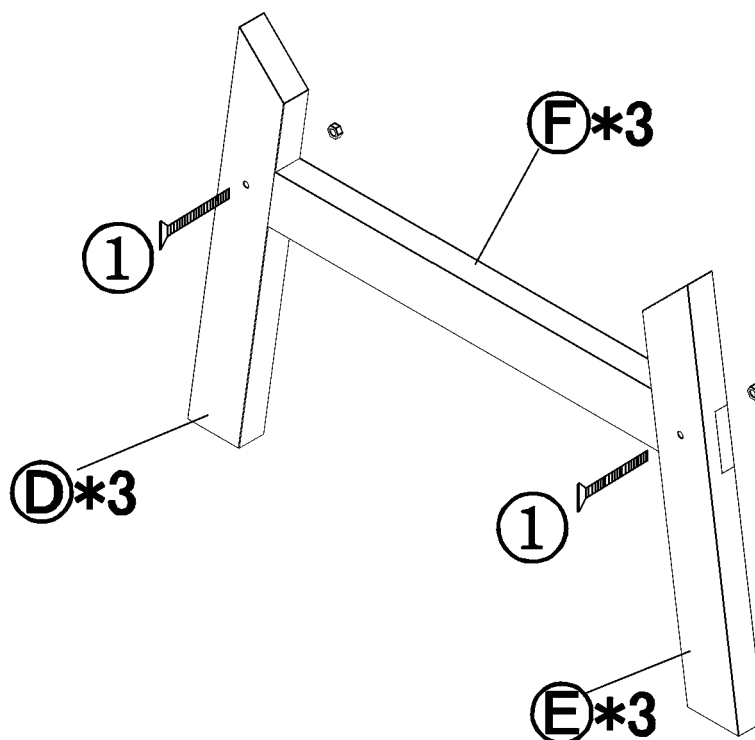
Step 5



② M3.5 x 35mm - 12Pieces



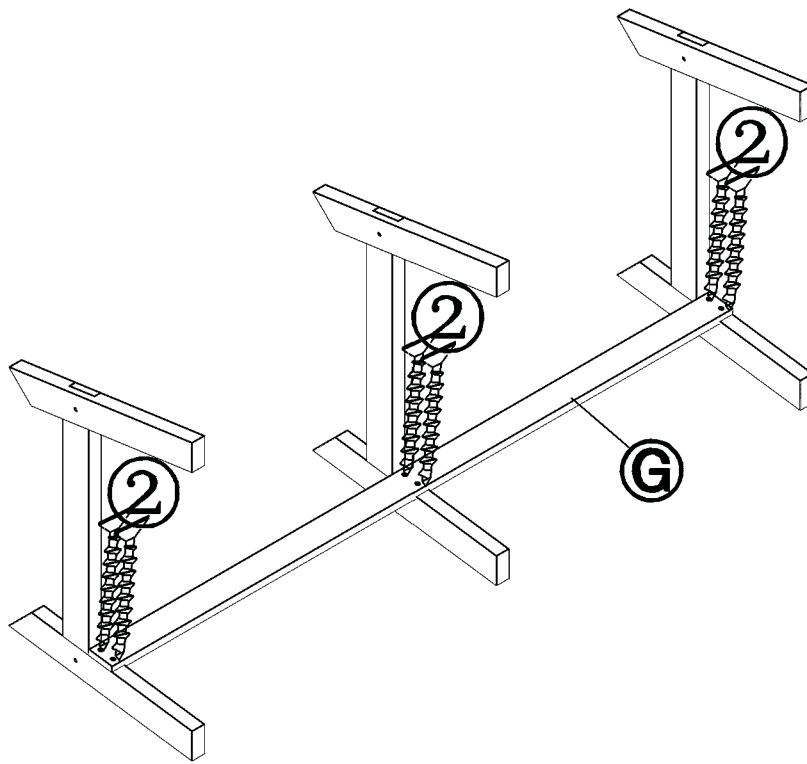
Step 6



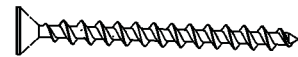
① M6 x 40mm - 6Pieces



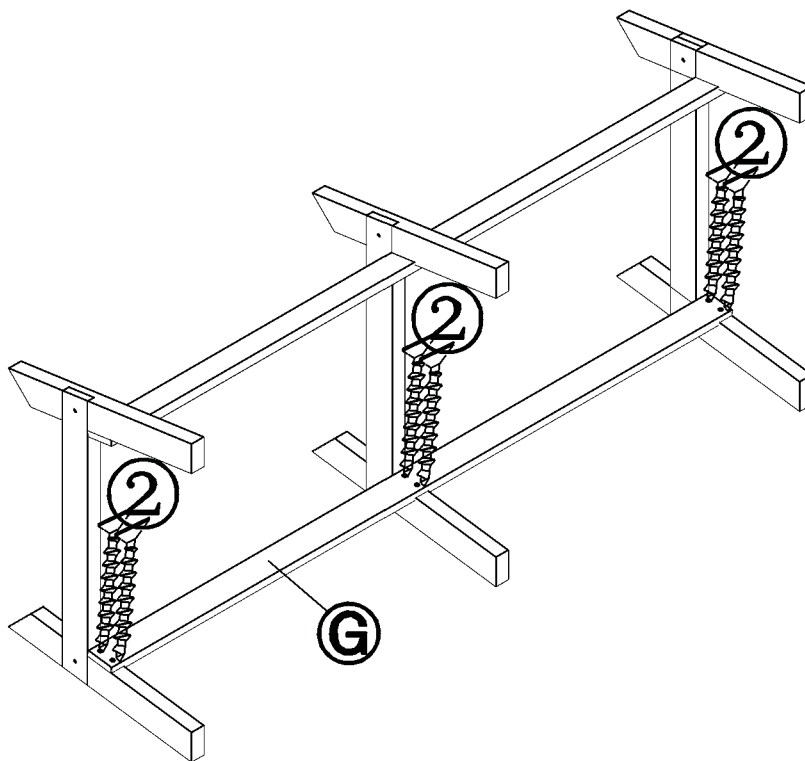
Step 7



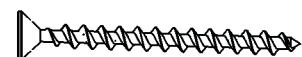
② M3.5 x 35mm - 6Pieces



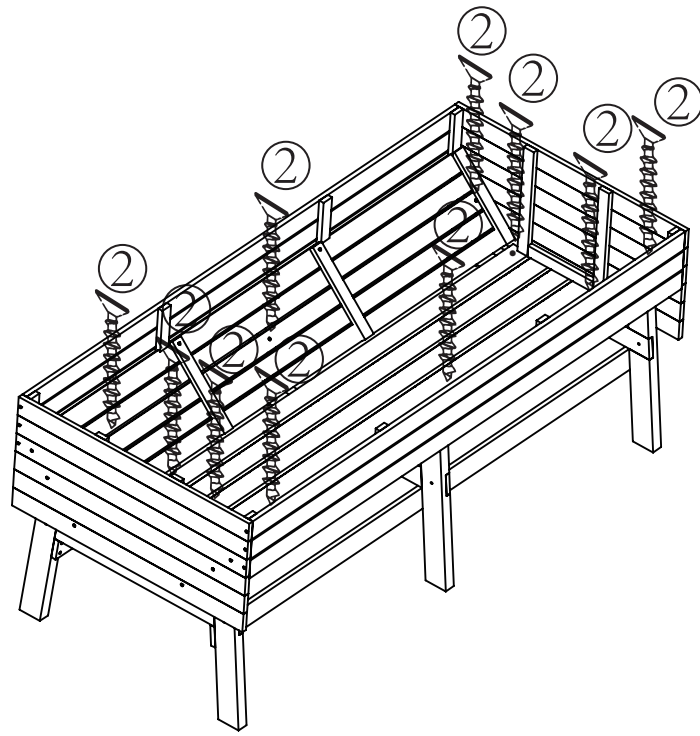
Step 8



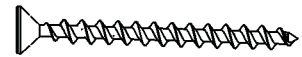
② M3.5 x 35mm - 6Pieces



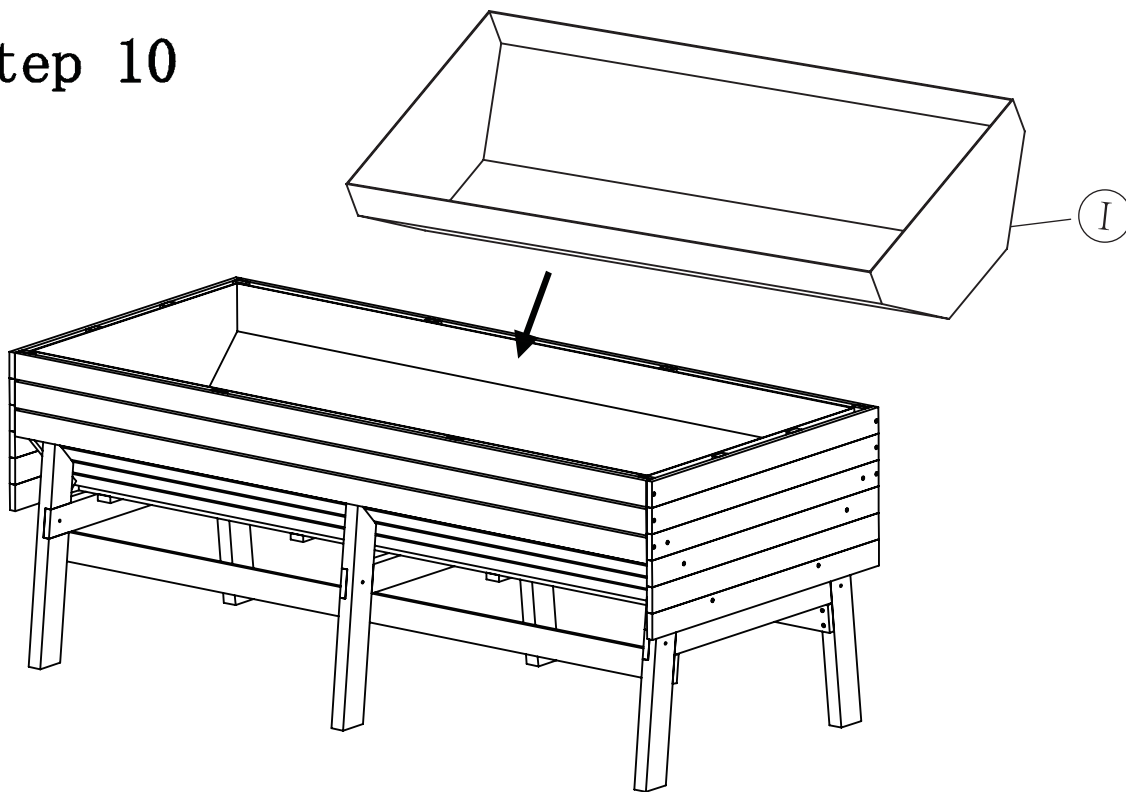
Step 9



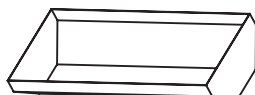
② M3.5 x 35mm - 10Pieces



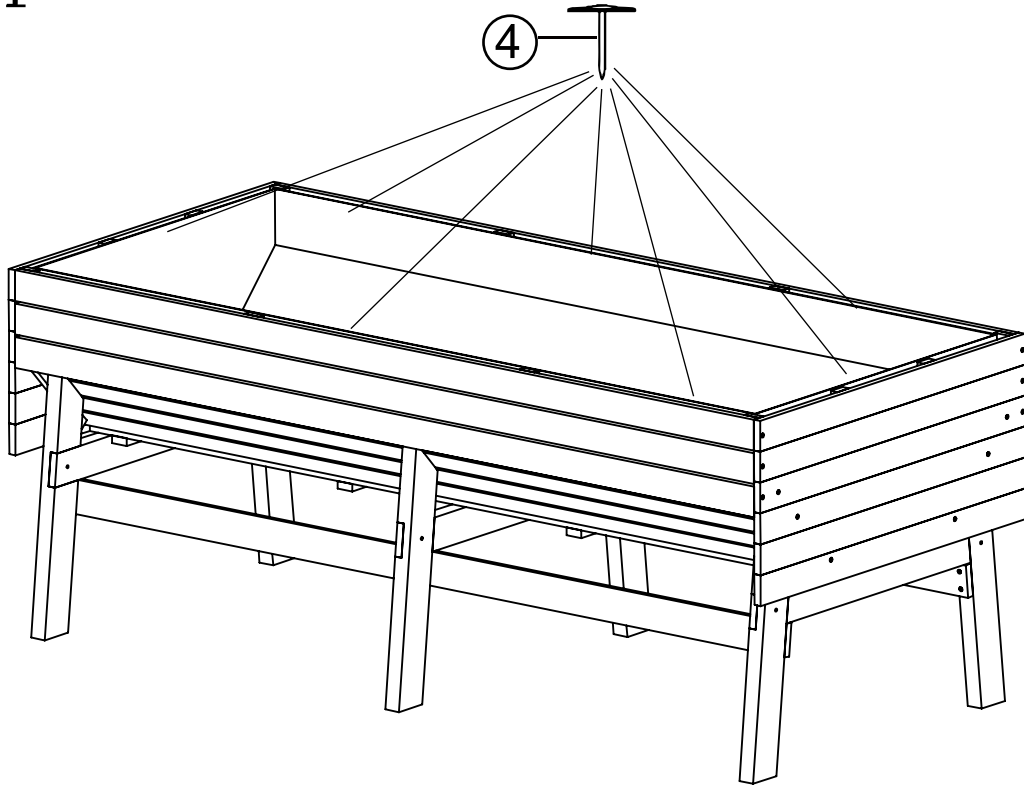
Step 10



I



Step 11



④ ┆ 14Pieces

ENJOY YOUR PRODUCT!

