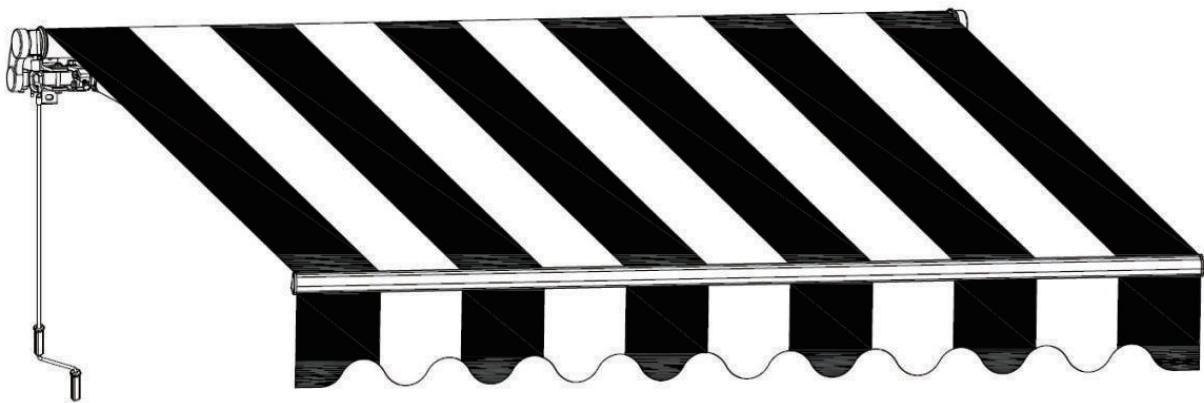




IN231000355V01_GL

840-151LB_840-151YG_840-151V00



EN_IMPORTANT, RETAIN FOR FUTURE REFERENCE: READ CAREFULLY.

FR_IMPORTANT: A LIRE ATTENTIVEMENT ET À CONSERVER POUR CONSULTATION ULTÉRIEURE.

ES_IMPORTANTE, LEA Y GUARDE PARA FUTURAS REFERENCIAS.

PT_IMPORTANTE, RETER PARA REFERÊNCIA FUTURA: LEIA ATENTAMENTE.

DE_WICHTIG! SORGFÄLTIG LESEN UND FÜR SPÄTER NACHSCHLAGEN AUFBEWAHREN.

IT_IMPORTANTE! CONSERVARE IL PRESENTE MANUALE PER FUTURO RIFERIMENTO E LEGGERLO ATTENTAMENTE.



**WARNING!/ATTENTION! /ACHTUNG!;
ADVERTENCIA! /ATTENZIONE!
ATENÇÃO!**



EN_DANGER! Cutting the cable ties before assembly may cause injury.

FR_DANGER ! Couper les colliers de serrage avant l'assemblage peut causer des blessures.

DE_GEFAHR! Das Abschneiden der Kabelbinder vor der Montage kann Verletzungen verursachen.

ES_¡ PELIGRO! Cortar las bridas antes de la instalación puede causar lesiones.

IT_PERICOLO! Tagliare le fascette prima del montaggio può causare lesioni.

PT_PERIGO! O corte das braçadeiras de cabos antes da montagem pode provocar ferimentos.

Thank you for purchasing our Retractable Awning! We hope you will find joy in our product for many years to come.

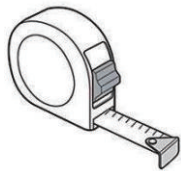
To ensure your personal safety during installation and to get the most out of your investment, please read this entire manual before beginning the installation process.

We recommend installing this awning by two people. If you feel that this process is too difficult to do on your own, we advise that you seek assistance from a local building or home improvement contractor.

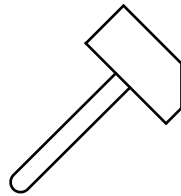
Please contact our customer support line for help if you have any problem or need assistance when assemble, have missing or defective parts, or any other issues, we will try our best to help solve your problems.

We can also offer you the assembly video if you want.

Please prepare below tools before assembly. (Not included)



Measuring tape



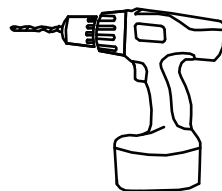
Non-metallic mallet



Wrench
(wrenches of M17 and M14)



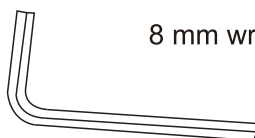
Cross screwdriver



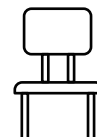
Power drill with
14 mm drilling bit



Chalk line leveler



8 mm wrench






Two ladders or very sturdy chairs

ASSEMBLY INSTRUCTIONS

WARNING

Improper installation and operation of your awning can result in severe personal injury as well as product failure not covered by warranty. Please follow all instructions carefully or contact technical support for assistance.

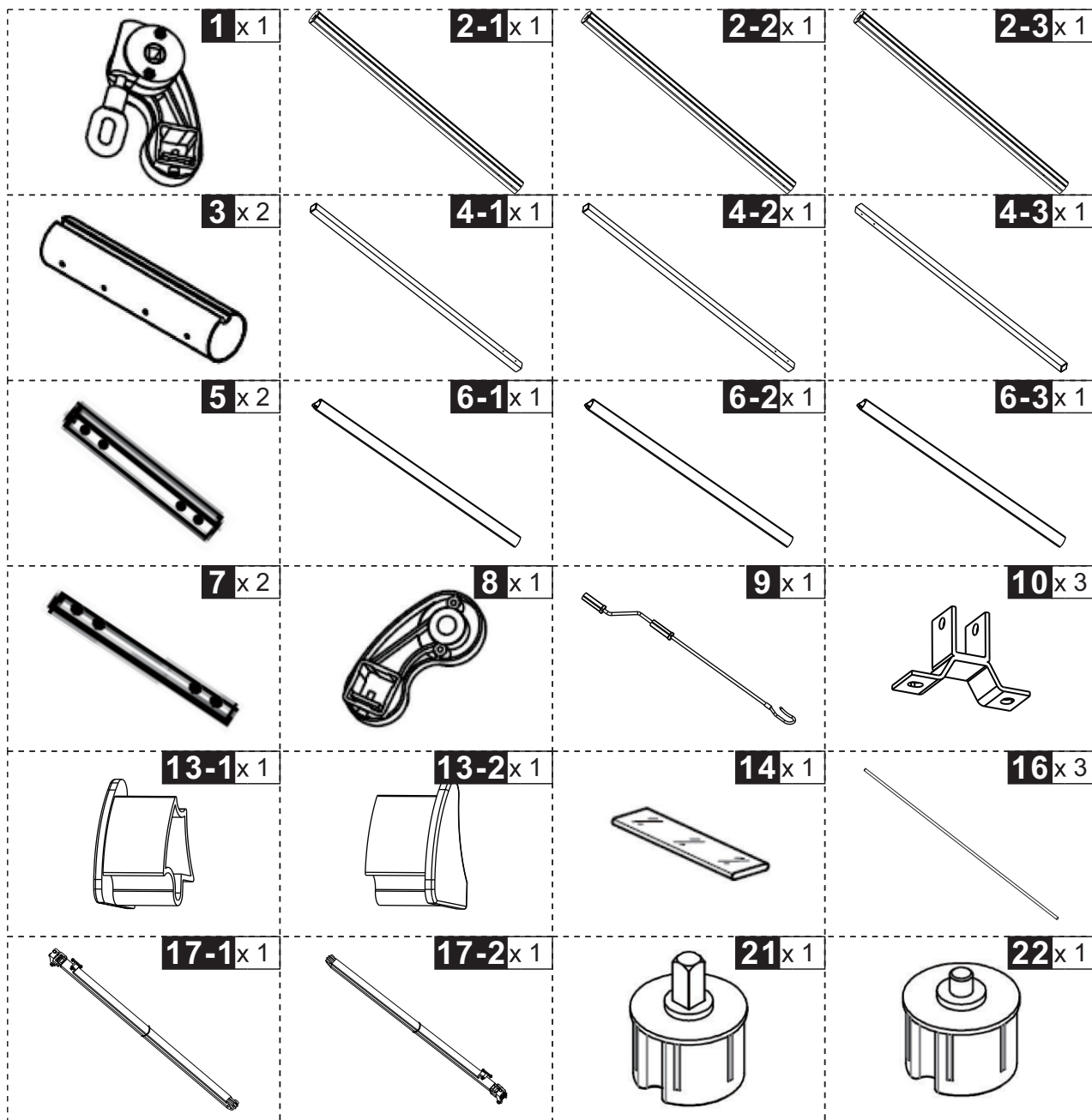
Before you proceed, please read the following safety precautions:

	<p>DO NOT remove the safety wrap that secures the awning arms until instructed to do so. The awning arms will spring open and can cause serious injury if handled inappropriately. DO NOT stand facing front of the awning when cutting off binds between arms. Hold tightly and stretch slowly until completely open.</p>
	<p>Proper location and fastening of the wall brackets is critical. Please follow instructions in the manual. Failure to securely fasten all brackets could result in the collapse of the awning and cause personal injury or death.</p>
	<p>Keep children away from assembly area.</p>

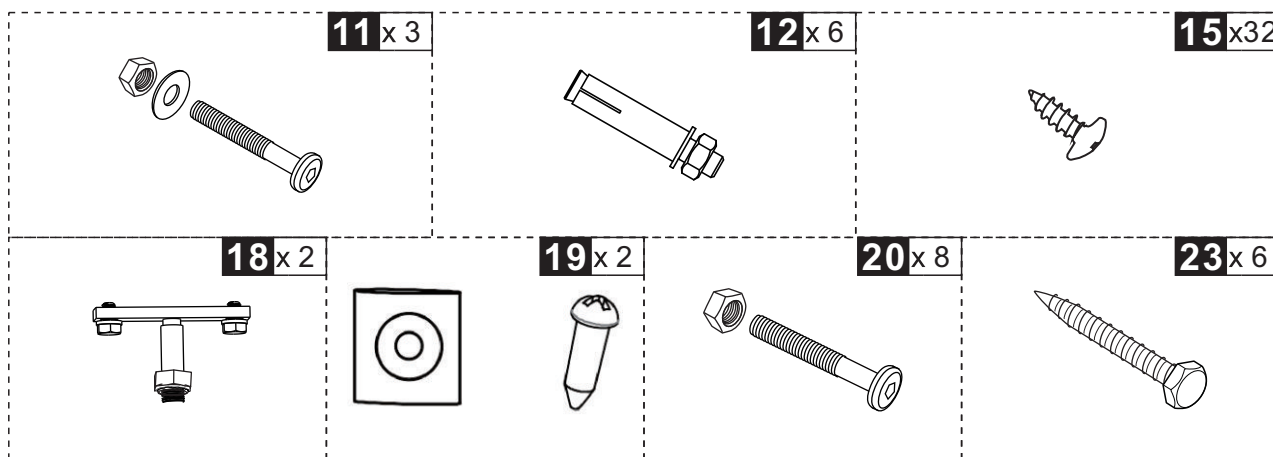
Safe Installation and Operation

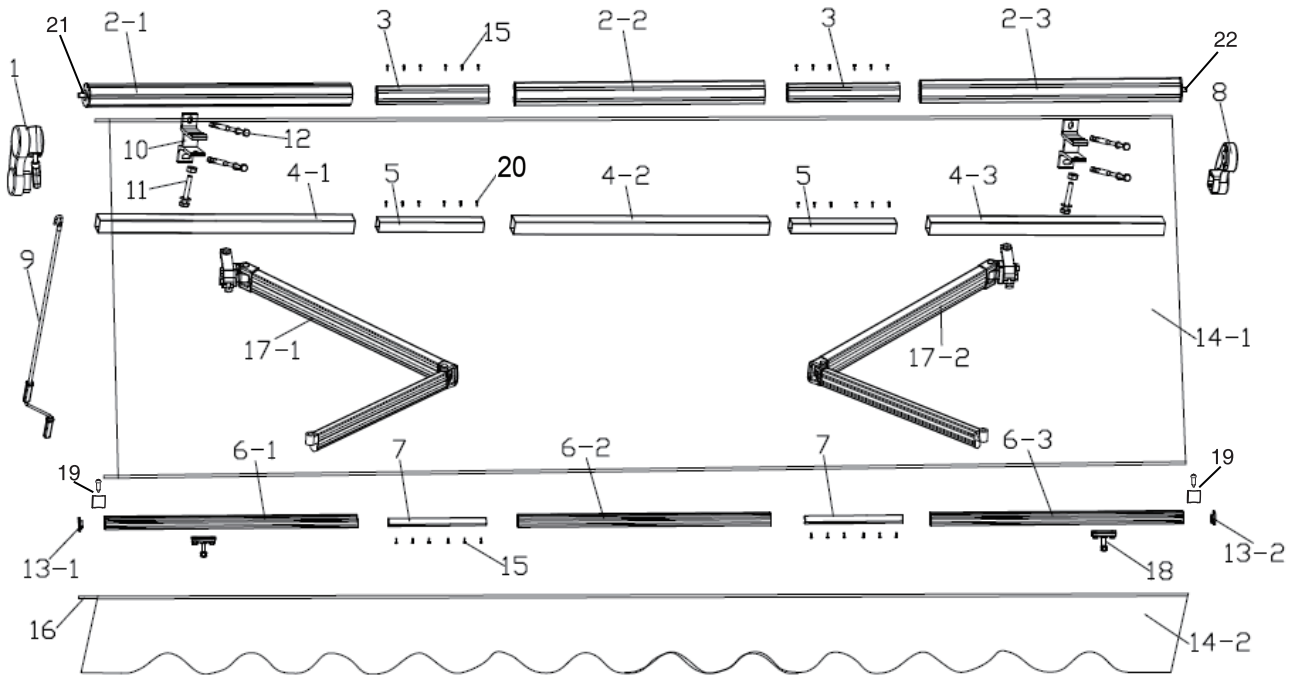
1. Never install it in high and windy places, as the sunshade may drop and hurt someone.
2. Don't use it in places that have vibrations or impulses.
3. Don't use it in places with high temperature such as walls near furnaces.
4. Don't put heavy things on the frame as it may fall down and cause damage.
5. Please close the awning in storm conditions, such as excessive windy and rain.
6. Never use it for other purposes other than suggested.
7. Be careful with your fingers during installation.
8. Two adults are needed to move and install the sunshade as the product is big and heavy.
9. Please use all the screws and nuts correctly during installation as it is very dangerous if you leave it loose.

PARTS



HARDWARE





Preparing Your Work Space

1. Before you begin, it is best to lay out all necessary tools to make setup smoother. Refer to the required tools section for the list of necessary tools.

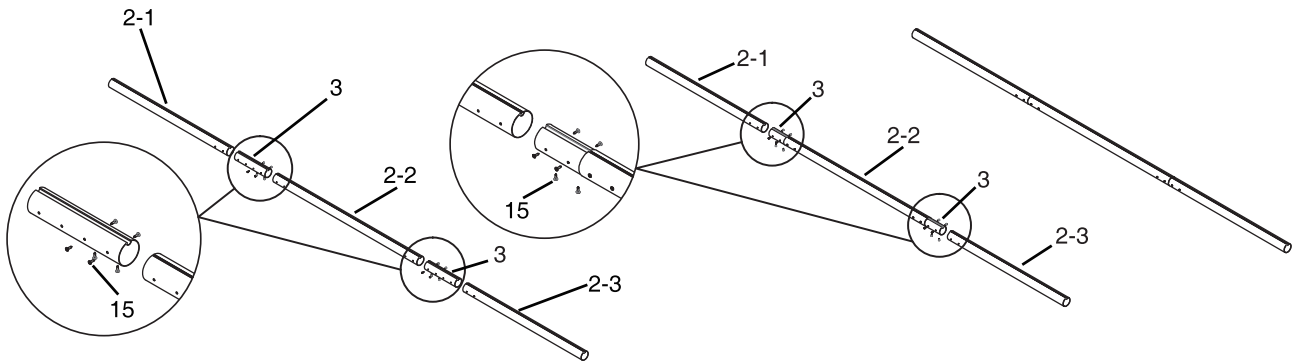
WARNING

DO NOT remove the safety wrap that holds the awning arms down. Serious injury can result from removing the wrap too soon.

2. Open the awning box and unwrap each piece carefully to avoid damaging the product.
3. Lay out each piece of the awning to ensure that all pieces are present. Refer to the parts diagram for detailed information regarding parts.
4. Open the small, inner box that contains the small parts and lay them out as well.

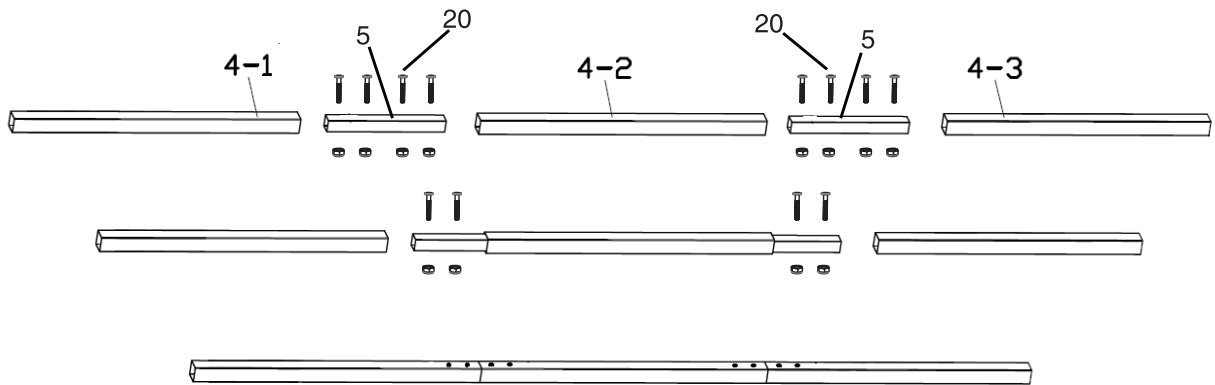
Step 1: Roller assembly

Keep the rollers aligned, assemble the roller with the connectors and secure it with the corresponding bolts as figure below:

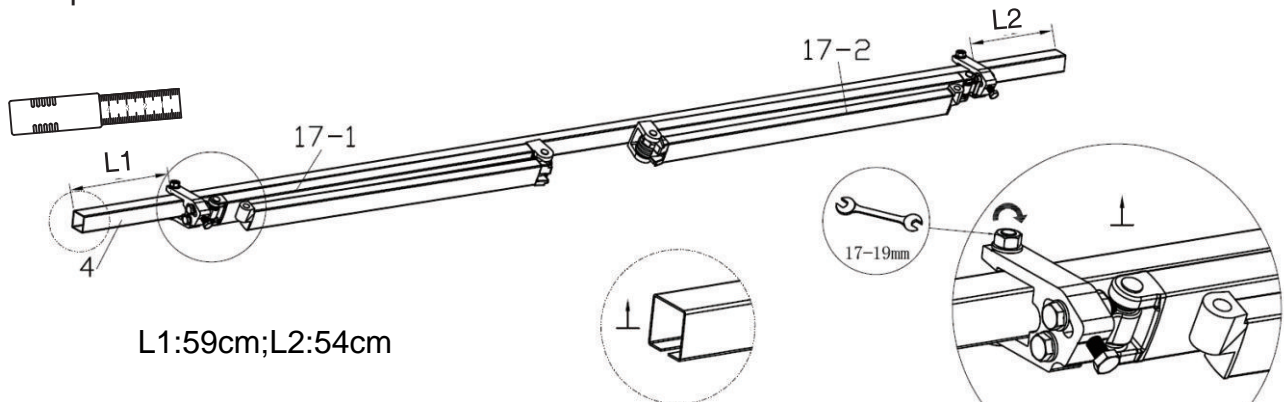


Step 2: Torsion bar and arm assembly:

keep the four face aligned , connect the torsion bar with the connectors and secure it with the corresponding bolts as figure below:

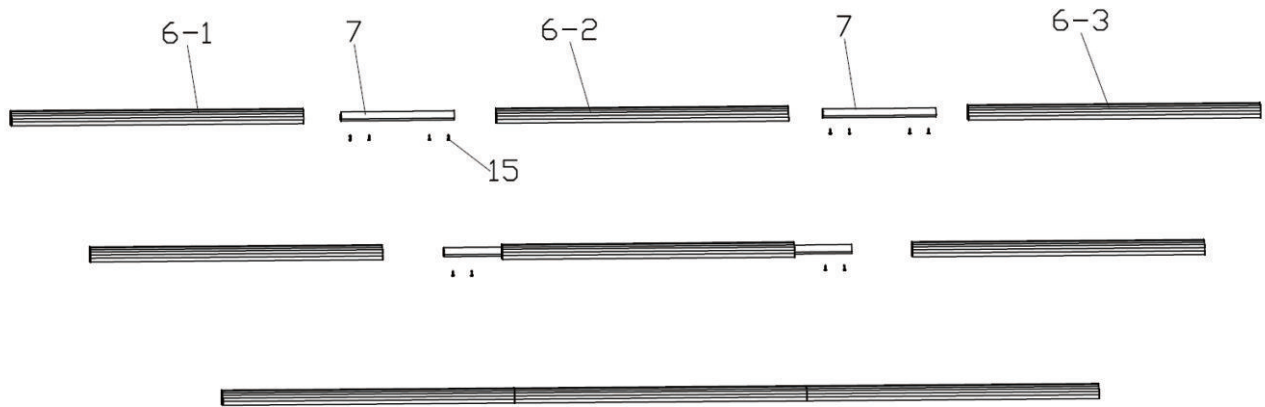


Then assembly the arm to the torsion bar as figure below. Two arms need in the same direction, the rope of arm cannot be unlocked until the whole assembly are complete.

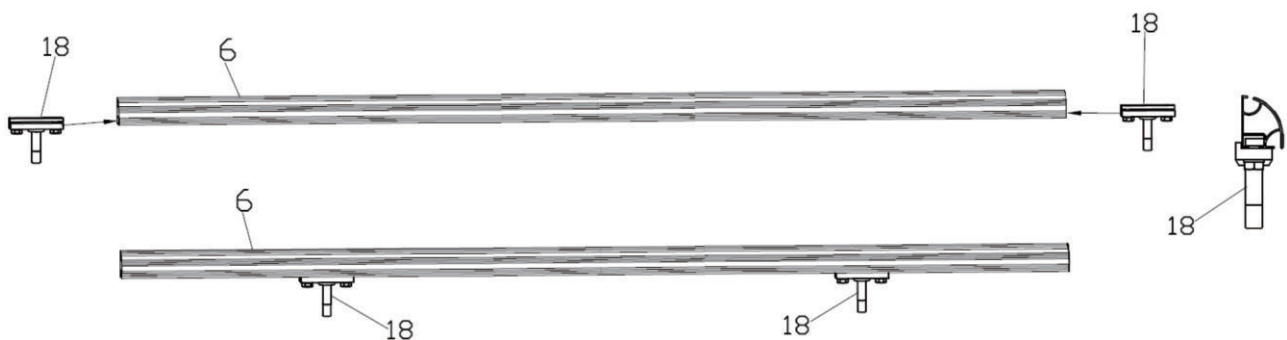


Step3: Front bar assembly

Connect the front bar with connectors and secure it with the corresponding bolts as figure below:.(please keep the front bar aligned).

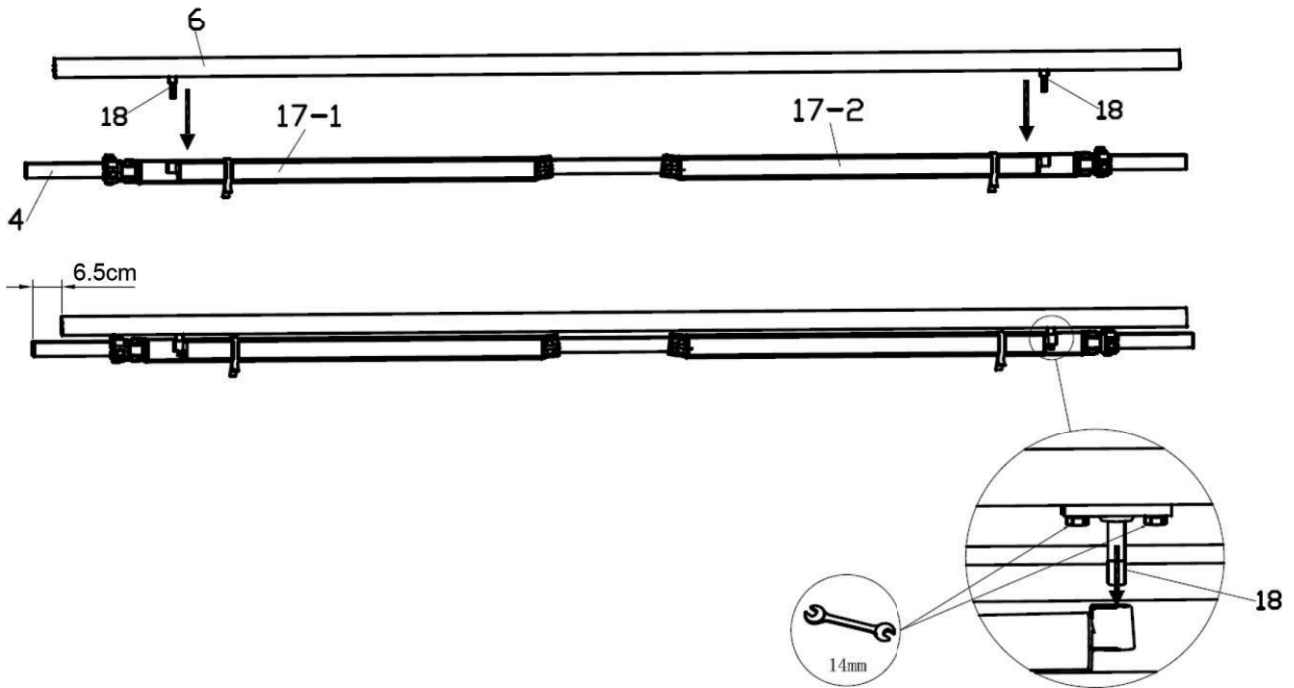
**Step4:Front bar wrist support assembly:**

Slide the front bar feet into the front bar without tightening.As shown in the figure below:

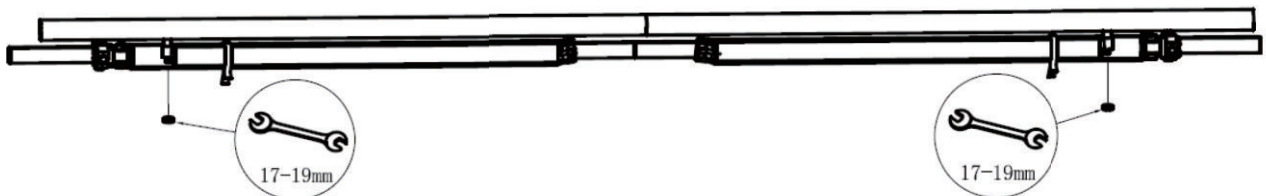


Step 5: Arms with front bar assembly:

Put front bar feet bolt through the hole of small arm, then position the front bar. After positioning, tighten the nut with wrench, as figure below:

**Step 6: Link the self-locking nut**

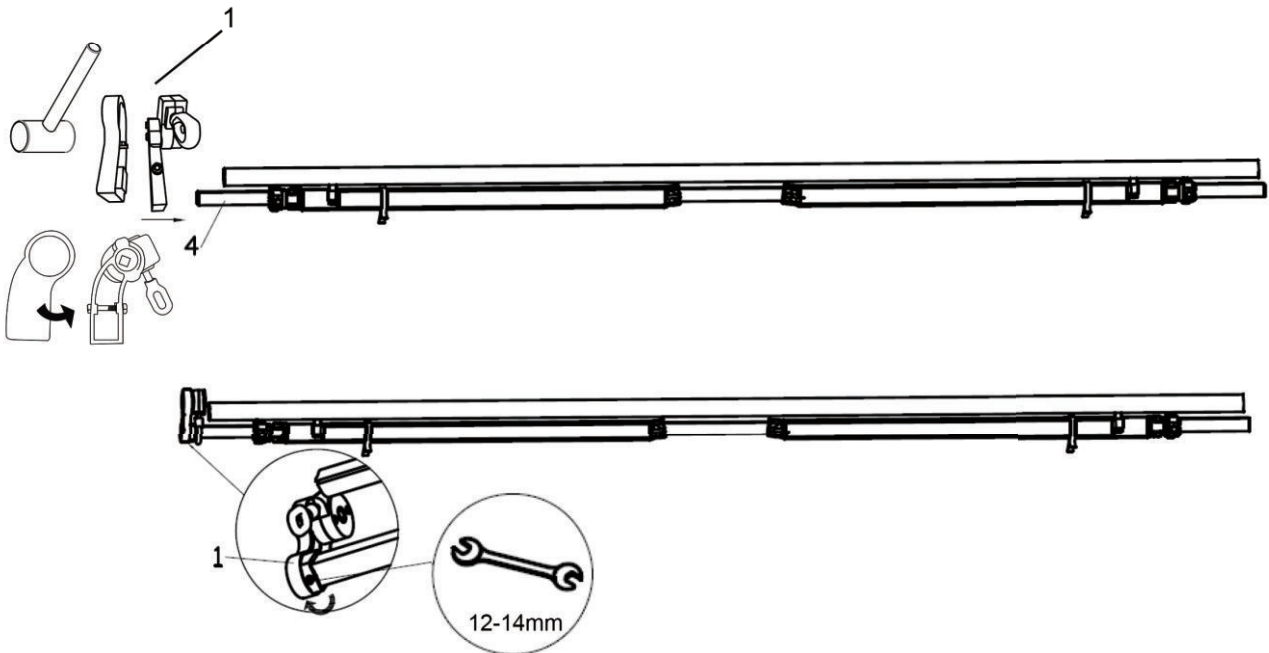
Link the self-locking nut into screw which at the bottom of the screw in front bar feet by a wrench, stop when the thread:leakage 1 ~ 2 laps.As shown in the figure below:



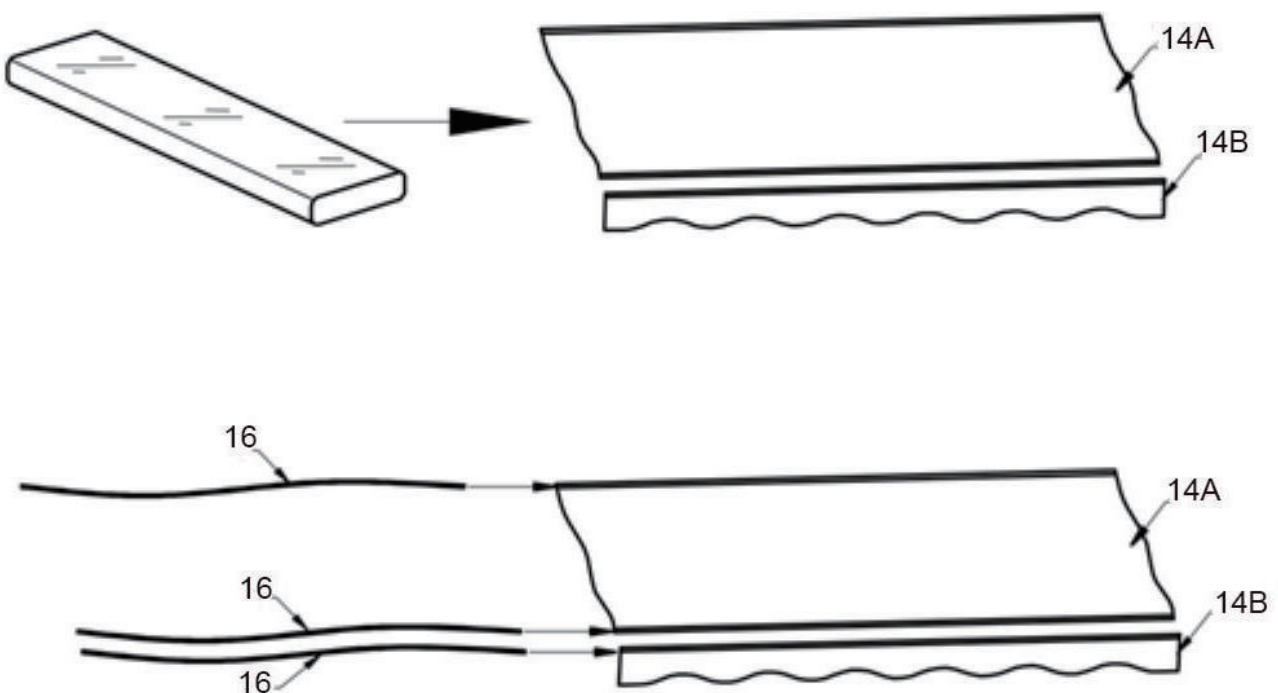
ATTENTION: BEFORE BLOCKING THE NUT.ENSURE THAT THE ARMS ARE PROPERLY ALIGNED.

Step7: Left roller support with gear box assembly:

Hammer the left roller support with gear box into the left end of torsion bar by wood hammer, then tighten the left hexagon bolt by 5mm. As shown in the figure below:

**Step 8: Fabric and valance assembly:**

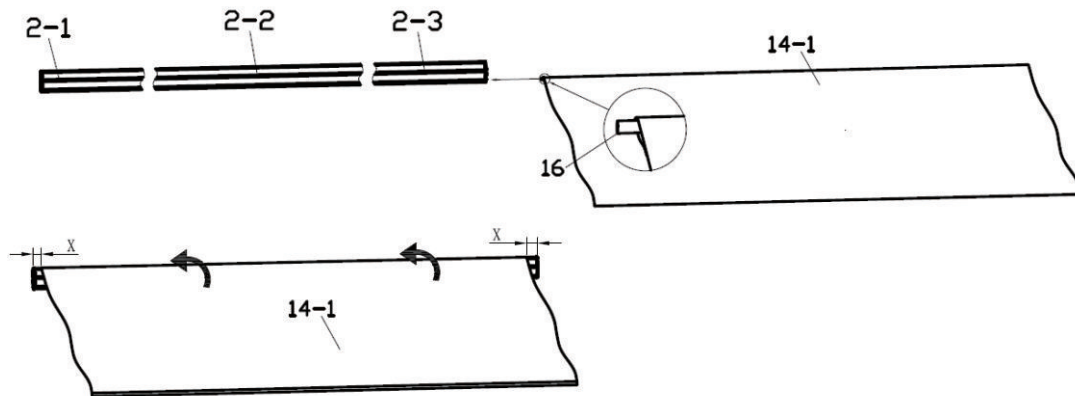
Open the fabric bag, Spread out both fabric 14A and valance 14B and use the cloth guiding wire to line through the fabric. As shown in the figure below:



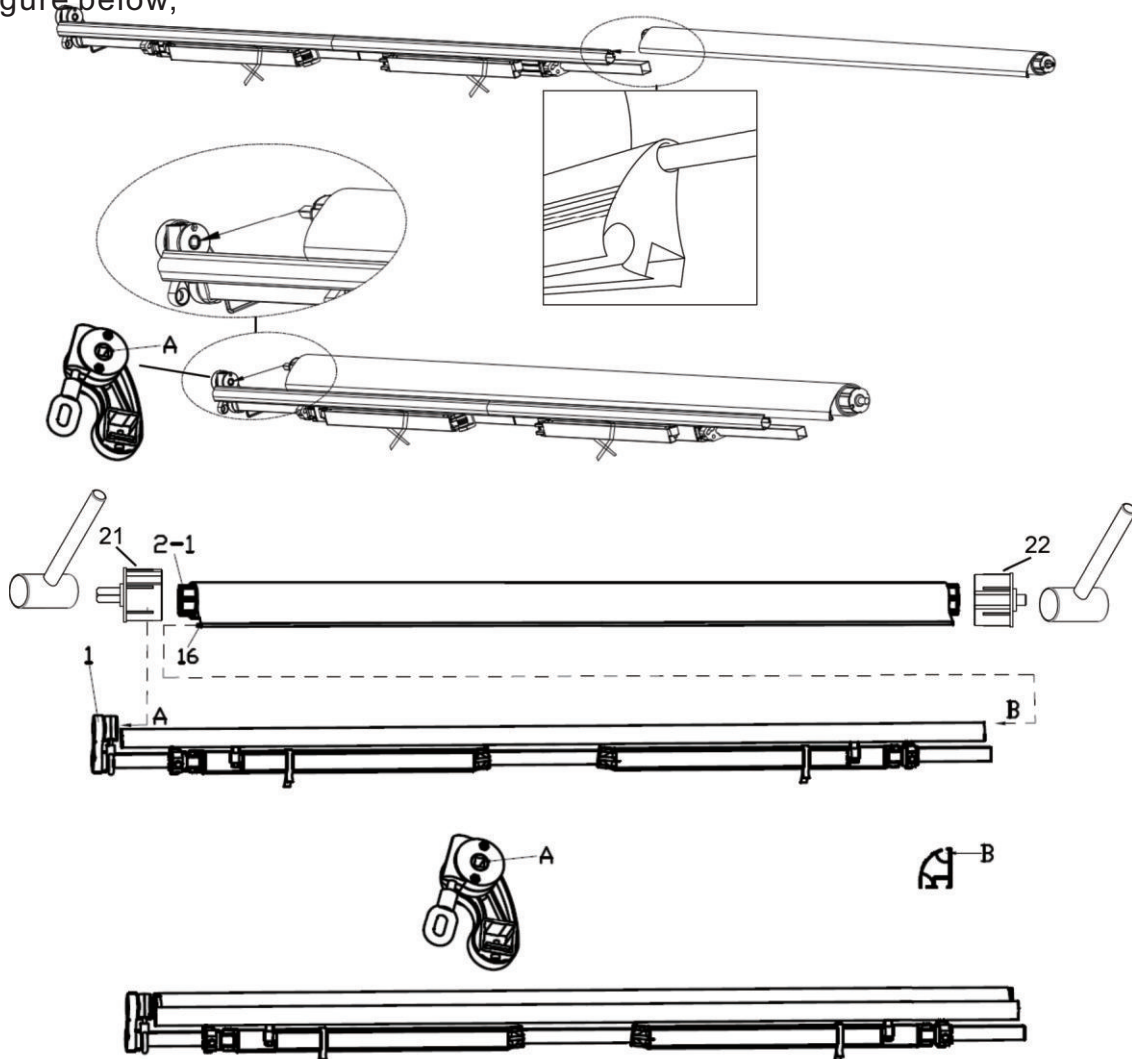
Step 9: Roll in the fabric on the roller

Roll in the fabric on the roller, pay attention to the fabric direction needed, as shown in the figure below:

Please face up the fabric when assembling. Keep the same spacing X at both ends. Spread the fabric slowly in case of damage.

**Step 10:**

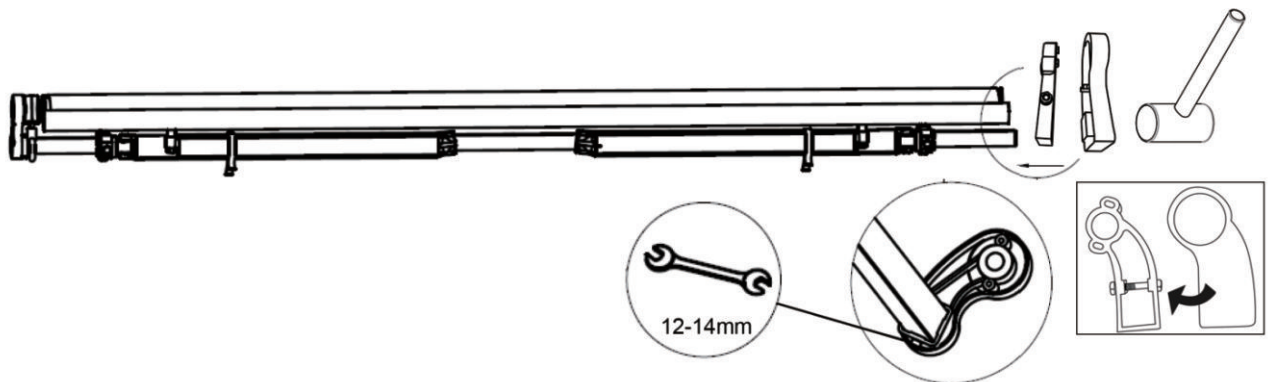
One end of fabric through the groove of front bar, well-distributed the fabric after pull in all fabric, then insert shaft of roller into the square hole of gear case. As shown in the figure below,



If the part of front bar is a little deformed, please adjust it with tools by yourself.

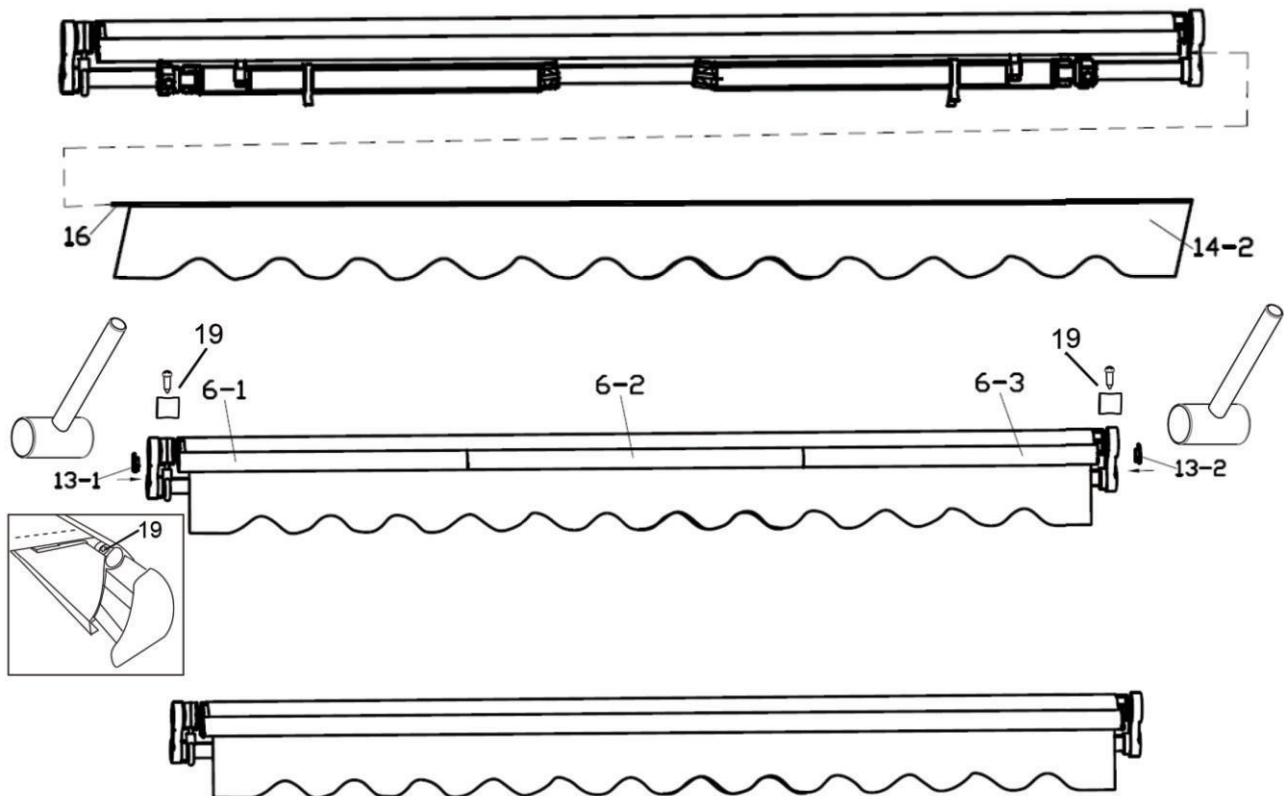
Step 11: Right roller support assembly:

Insert the shaft of roller into roll tube plug, meanwhile insert the torsion bar into the right roller supports with hitting. Then tighten the right hexagon bolt by 5mm Hexagon wrench. As shown in the figure below:



Step 12: Assemble to make a whole awning

Make the valance through groove of front bar, pay attention to the direction and make sure the left and right sides on average, then hitting the cover of front bar into end of front bar. As shown in the figure below:



If the part of front bar is a little deformed, please adjust it with tools by yourself.



If you find that the fabric wraps unevenly or that the two arms won't open together at the same time, look at the stability of the two arms. Solution: adjust the arm bar link's position on the front bar outwards, as necessary.

Specification

Product name	Material and surface treatment	Applicable wall type	Recommended installation height	Applicable weather
Retractable awning (Please see details on the package)	Materials: Steel tube, aluminum alloy, plastic parts, polyester fabric. Service treatment: Tubes: spray paint and oxidation Cloth surface: PU, UV, waterproof	Reinforced concrete walls, brick walls, and wooden walls	2.5m-4m 8'-13'	The products are used to shield sunshine. Applicable when wind is under level 5. Not suitable for rainy weather.

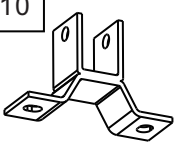
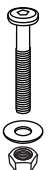
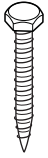
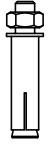
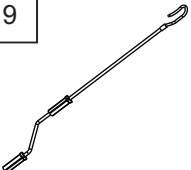
Wall Mounting

Notes about Wall Mounting

This awning can be secured to reinforced concrete, brick and wood wall. However this awning kit only supplies screws suitable for mounting to brick and reinforced concrete walls.

If you wish to secure your awning to wood, please use wood screw of adequate length and of an appropriate diameter to secure the awning to wood beams. The bolt size depends on the size of wood; these can be purchased at a hardware store. We recommend a professional installer for the safest and most secure installation.

Never attempt to secure the wall brackets to loose wall stones or any surfaces that are not absolutely firm!

10  Wall bracket 3pcs	11  Hex screw 3pcs	23  Wood screw 6pcs	12  Expansion bolt 6pcs	9  Hand crank 1PC
---	--	---	--	---

⚠ CAUTION

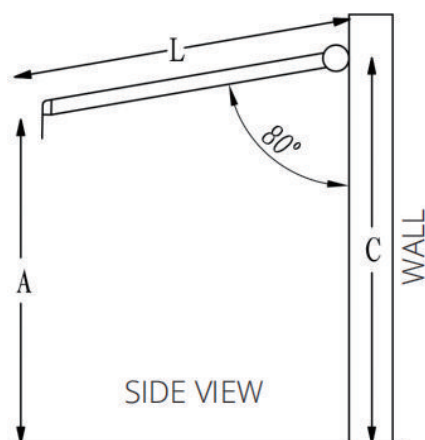
Proper location of the brackets is the most important aspect of the awning installation. It is critical that you fasten all the mounting brackets to studs, joists, headers or other major structural components.

⚠ WARNING

Failure to securely fasten all the brackets to the wall could result in the collapse of the awning and cause personal injury or death.

Mounting Height

It is important to take the awning's drop area into consideration before bolting your wall mounts. If you would like to mount above a patio door, for example, please leave at least 8" (20.5cm) above the door frame and be sure that the awning does not interfere with opening and closing the door. The drop angle can only be changed minimally, so take this into consideration when deciding where to place your awning.



We recommend that the awning surface make an angle of about 80 degrees to the wall when open.

Recommended installation height: 8-13 '(2.5-4m). The ideal drop angle (when fully extended) has already been set in the factory, so you may not have to change the pitch/angle.

CALCULATIONS:

You can use the following formula to calculate the appropriate angle.

$$C = A + 0.17 * L$$

A = The desired height of the front bar

L = The length of the arm stretched out

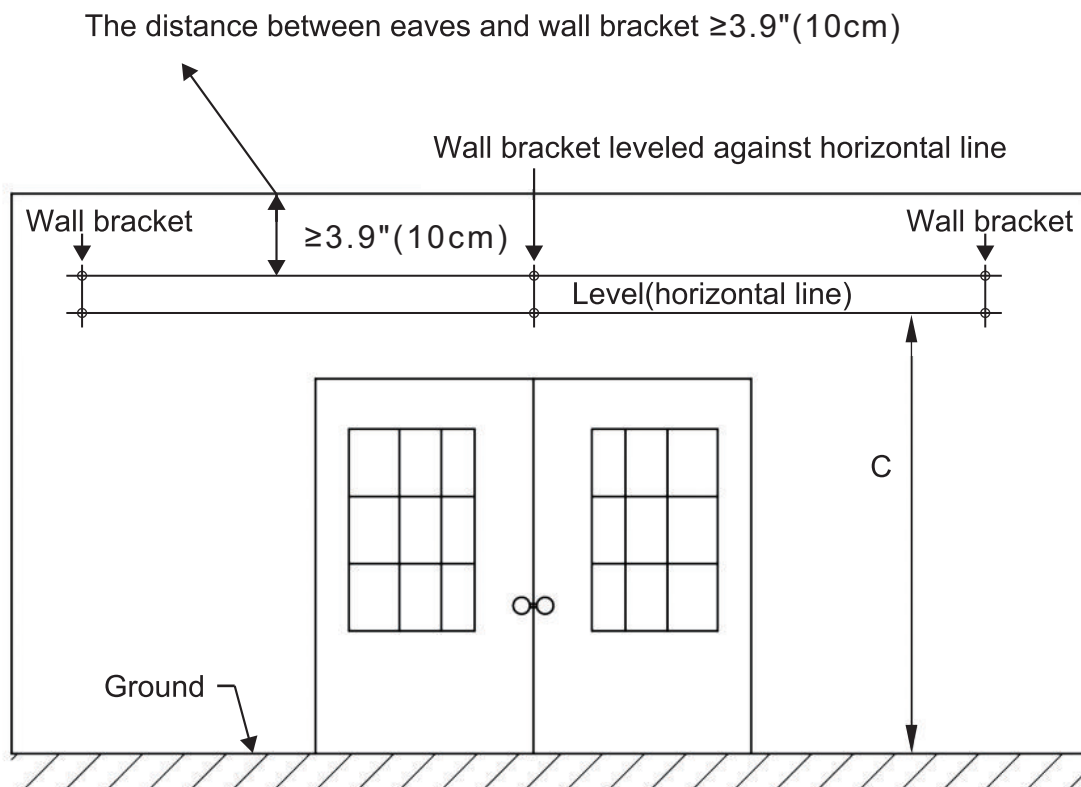
C = The height of the wall brackets

STEP 1

Measuring the Mount Site

1. Measure the length of your awning along the wall where you intend to install it. This line will be the highest point of your awning and align with the top of the wall bracket. Use a leveler to make a chalk line across the distance.
2. Important: Double check that the line is level all the way across.
3. Be sure that the line is centered over the patio door, window, or other feature, if applicable.
4. Now that you have a straight, centered line, measure the middle point and mark it. This is where the middle wall bracket will be installed.
5. Take a wall bracket and place the top of it, completely level, under the line, as shown in the diagram below. With chalk or a pencil, mark the position of all the wall brackets and their bolt holes. Please note the distance between each wall bracket should be the same.

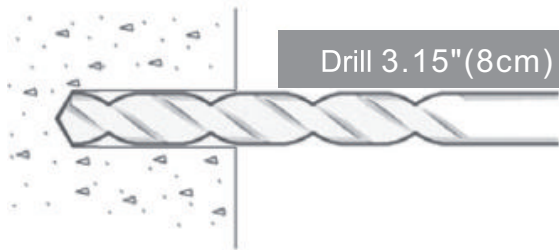
Awning < 10.8'(3.5m)	Requires only 2 wall brackets total: one for each end of the torsion bars.
Awning = 10.8-14'(3.5-4m)	Requires 3 wall brackets total: one for each end, and one in the middle.



STEP2

Drilling the Bolt Holes

1. Now that you have a straight level line across the wall with the locations of the wall brackets and their bolt holes marked, you can drill holes to mount the brackets.



2. Using a 0.55" (14mm) masonry drill bit, drill the first bolt hole approximately 3.15" (8 cm) deep, as shown in the diagram. This must be drilled through solid brick or concrete to offer the necessary support for the awning.

3. Drill the remaining holes exactly as in step 2.

WARNING

All bolt holes must be aligned vertically and horizontally to ensure that the awning hangs straight.

Double check alignment before drilling if you are not certain.

WARNING

The diameter and depth of your mounting holes must be the same size as the expansion bolts.

STEP3

Preparing for Mounting

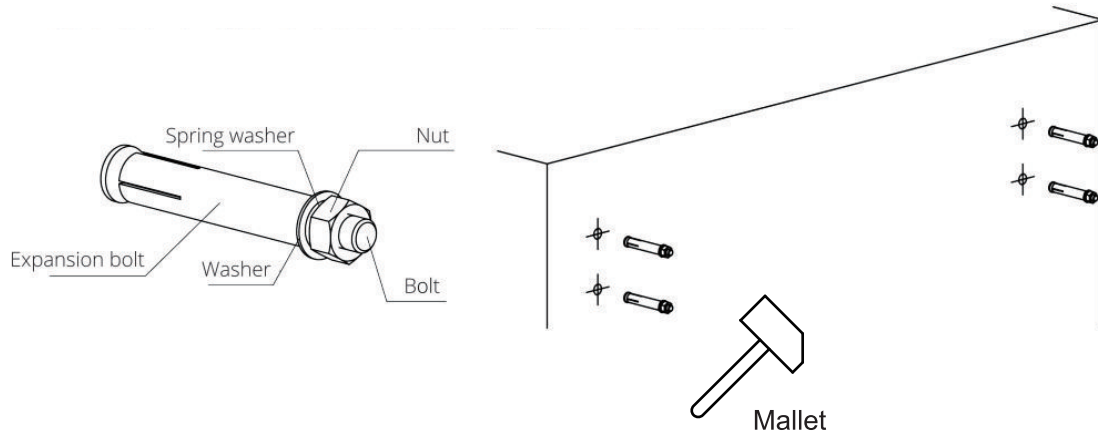
1. Now that all of your holes are drilled, then insert the expansion bolts.

2. It may be necessary to drive the bolts in with a wooden (or other non-metallic) mallet.



If a mallet is necessary for installation, we recommend placing the nut on the screw (loosely) before hammering to avoid damaging the bolt threads.

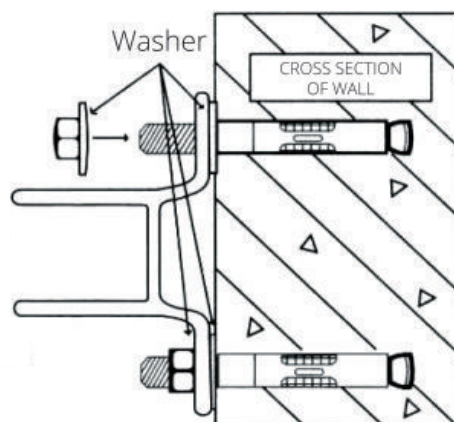
3. Make sure that the bolts are firm in place, yet let them stick out of the wall approximately 1 inch or less—enough that the wall bracket can be installed onto them. Firmly tighten the bolts with a 0.75" (19mm) hex key. It is best to use the hex key with a closed end rather than an open end to avoid damaging the nut, should it slip.



STEP 4

Mounting the Wall Brackets

1. Now that the bolts are securely installed in the wall, remove the nuts that are loosely placed over the bolts.
2. Place a wall bracket onto one set of bolts. This should be an easy fit if the bolt holes are properly aligned.
3. Once the wall bracket is resting on the bolts, place a washer over the bolt. Then secure it with a nut, as shown in the diagram.

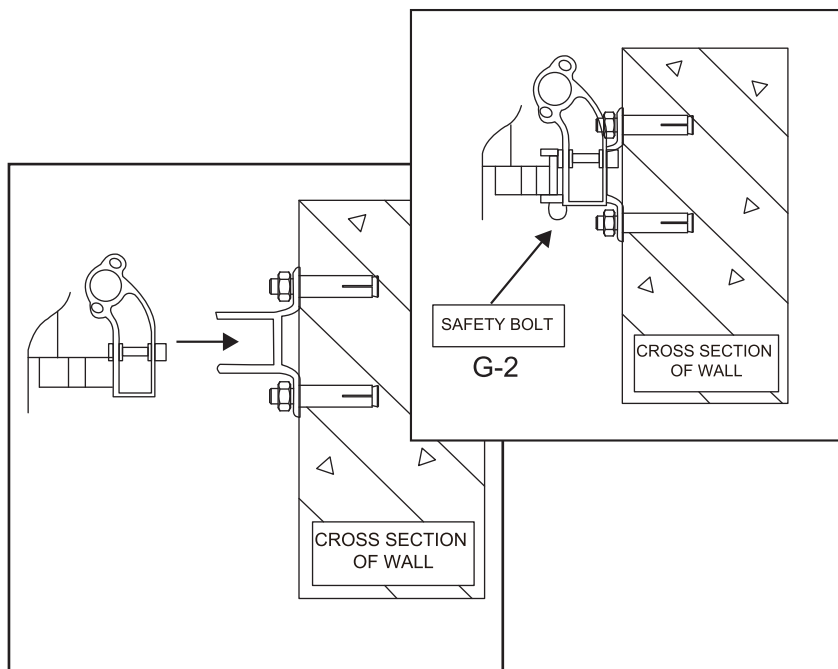


4. The brackets **MUST** sit firmly on the wall. If there is any movement, you must tighten it more.
5. Repeat this step for each of the wall brackets. Once you do this, all wall brackets will be securely installed in place.

STEP 5

Mounting the Awning

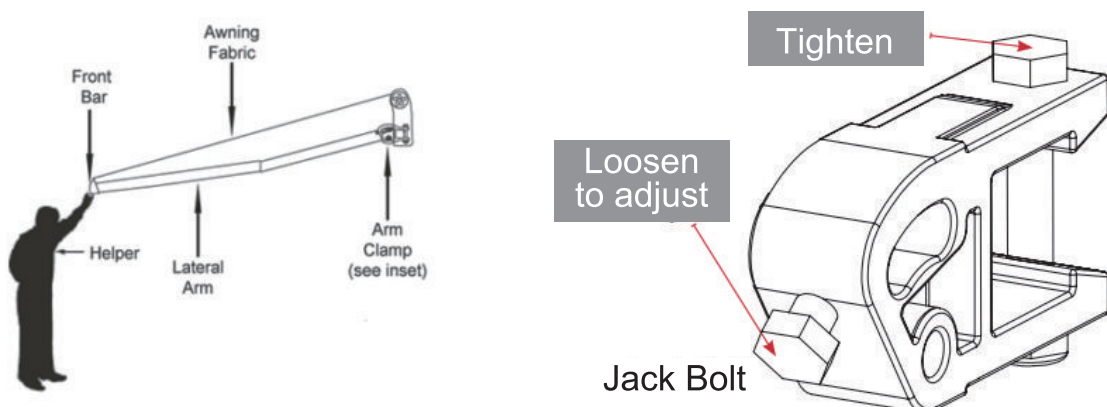
1. Now that the wall brackets are secure and in place, it is time to install the awning onto the brackets.
2. At least two ladders or sturdy chairs are required to install the awning.
3. Put the torsion bars on the wall brackets and tighten them with the hex screws.
4. Finally, fasten all expansion bolts.
5. Using the hand crank or a motor (if applicable), fully open your awning. The front bar should be level.
6. Congratulations! Your awning is installed. If you are happy with the height of the front bar (awning pitch), sit back and enjoy! If not, please read on.



OPTIONAL INSTALLATION

Adjusting the Awning

Each awning comes with a pre-set pitch/angle that is considered ideal. However, if you need to make an adjustment, it can be done in just a few easy steps.

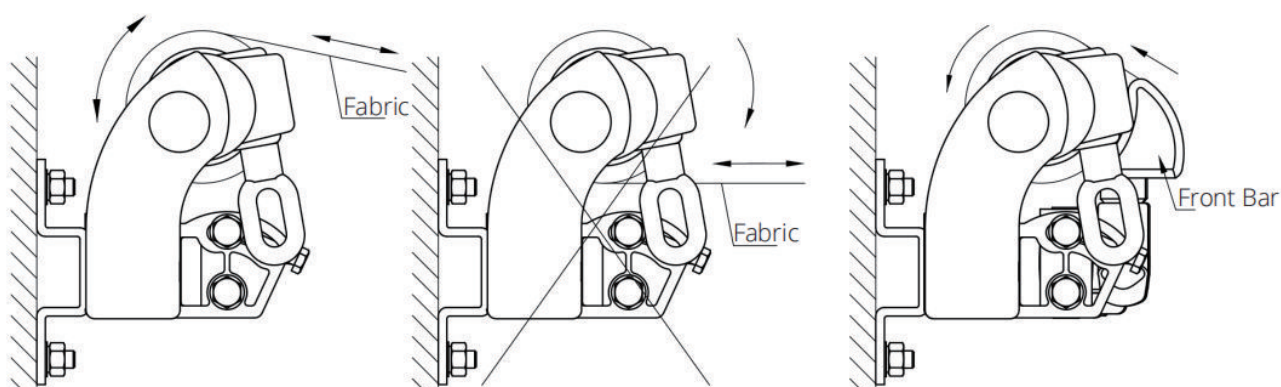


⚠ WARNING

Raising the front bar will reduce the pitch/angle of the fabric, thus increasing the risk of rain water pooling on the fabric. To prevent the awning from collapsing due to rain water weight, you must retract the awning when unattended. Failure to do so could result in a broken awning or personal injury.

Note: Be sure that the front bar is adjust to be completely even. Any misalignment will result in improper retraction.

COMMON MISTAKES



Correct operation

Wrong operation

⚠ WARNING

When the front bar touches the roller as shown in the figure, don't try to make them closer, otherwise the product may be damaged.

Merci d'avoir acheté notre auvent rétractable! Nous espérons que vous trouverez de la joie dans notre produit pour de nombreuses années à venir.

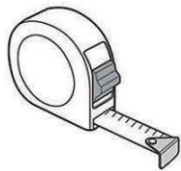
Pour assurer votre sécurité personnelle pendant l'installation et tirer le meilleur parti de votre investissement, veuillez lire ce manuel intégral avant de commencer le processus d'installation.

Nous vous recommandons d'installer cet auvent par deux personnes. Si vous pensez que ce processus est trop difficile à faire seul, nous vous conseillons de demander l'aide d'une entreprise local en bâtiment ou en amélioration de l'habitat.

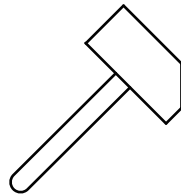
Veillez contacter notre ligne de soutien à la clientèle pour obtenir de l'aide si vous avez un problème ou besoin d'aide lors de l'assemblage, ont des pièces manquantes ou défectueuses, ou tout autre problème, nous ferons de notre mieux pour aider à résoudre vos problèmes.

Nous pouvons également vous offrir la vidéo d'assemblage si vous le souhaitez.

Veillez préparer les outils ci-dessous avant l'assemblage. (Non inclus)



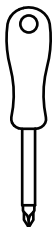
Ruban à mesure



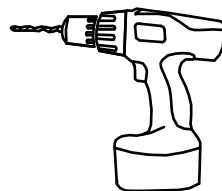
Maillet non métallique



(Clés de M17 et M14)



Tournevis cruciforme



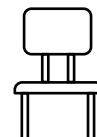
Perceuse électrique
avec Trépan de 14 mm



Niveleur de ligne à la craie



Clé de 8 mm



Deux échelles ou chaises très robustes

INSTRUCTIONS D'ASSEMBLAGE



Avertissement

L'installation et le mauvais fonctionnement de votre auvent peuvent entraîner des blessures graves ainsi que des défaillances du produit non couvertes par la garantie. Veuillez suivre attentivement toutes les instructions ou contacter le support technique pour obtenir de l'aide.

Avant de procéder, veuillez lire les consignes de sécurité suivantes:



NE PAS enlever l'enveloppe de sécurité qui fixe les bras d'auvent avant d'avoir reçu l'instruction de le faire. Les bras d'auvent s'ouvriront et peuvent causer des blessures graves s'ils sont manipulés de façon inappropriée. NE VOUS TENEZ PAS face à l'avant de l'auvent lorsque vous coupez les liens entre les bras. Maintenez bien et étirez-vous lentement jusqu'à ce qu'ils soient complètement ouverts.



L'emplacement approprié et la fixation des supports muraux sont critiques. Veuillez suivre les instructions du manuel. Le défaut de fixer fixement tous les supports pourrait entraîner l'effondrement de l'auvent et causer des blessures ou la mort.


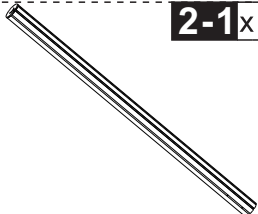
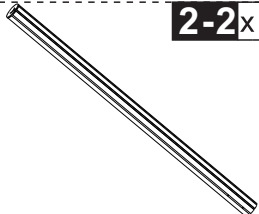
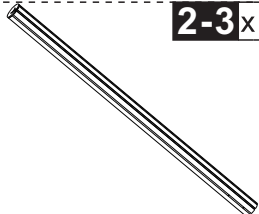
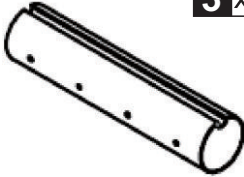
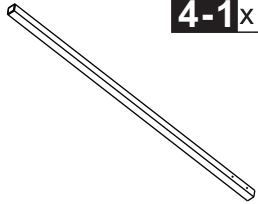
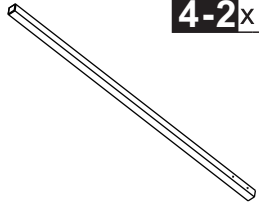
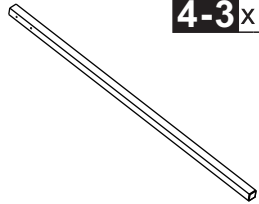
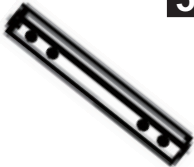
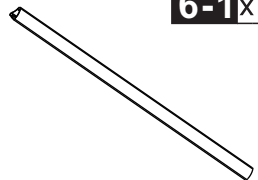
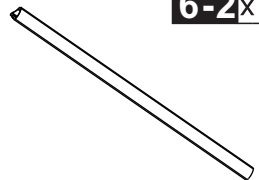
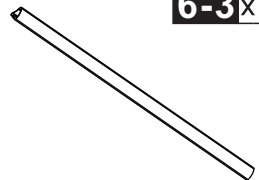


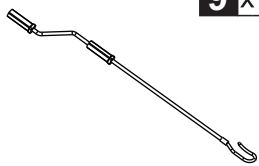
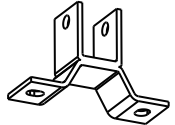
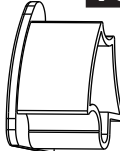
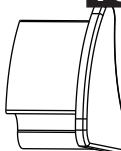

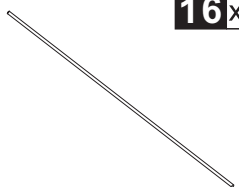


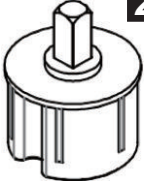
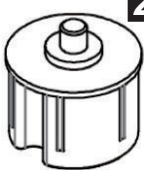


Tenez les enfants à l'écart de la zone d'assemblage.

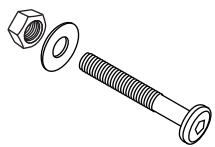
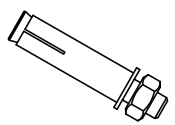

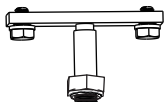
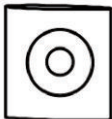
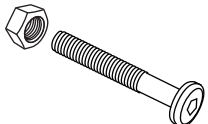
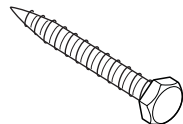
Installation et fonctionnement en sécurité

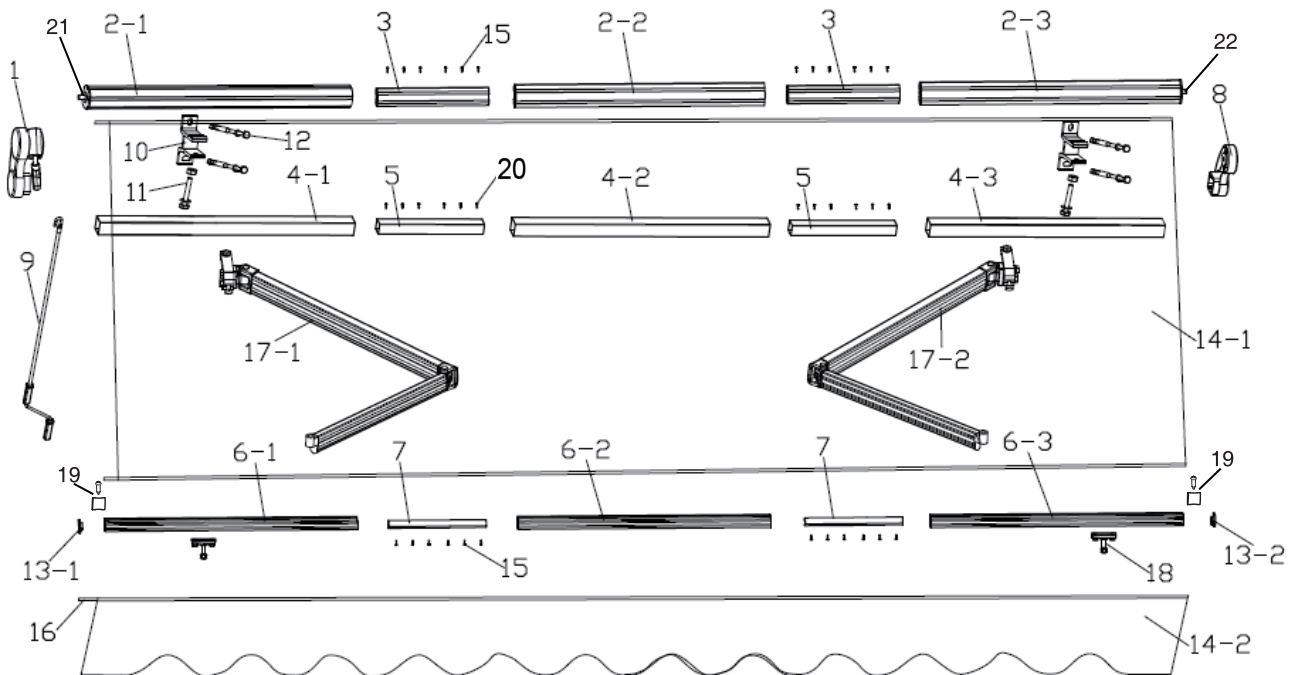
1. Ne l'installez jamais dans des endroits élevés et venteux, car le parasol peut tomber et blesser quelqu'un.
2. Ne l'utilisez pas dans les endroits où il y a des vibrations ou des impulsions.
3. Ne l'utilisez pas dans des endroits où la température est élevée, comme les murs à proximité des fours.
4. Ne posez pas d'objets lourds sur le cadre, car il pourrait tomber et causer des dommages.
5. Veuillez fermer l'auvent en cas de tempête, par exemple en cas de vent ou de pluie excessive.
6. Ne l'utilisez jamais à d'autres fins que celles recommandées.
7. Faites attention à vos doigts pendant l'installation.
8. Deux adultes sont nécessaires pour déplacer et installer le parasol, car le produit est grand et lourd.
9. Utilisez correctement toutes les vis et tous les écrous pendant l'installation, car ils sont très dangereux de le laisser desserrés.

LES PIÈCES

 1 x 1	 2-1 x 1	 2-2 x 1	 2-3 x 1
 3 x 2	 4-1 x 1	 4-2 x 1	 4-3 x 1
 5 x 2	 6-1 x 1	 6-2 x 1	 6-3 x 1
 7 x 2	 8 x 1	 9 x 1	 10 x 3
 13-1 x 1	 13-2 x 1	 14 x 1	 16 x 3
 17-1 x 1	 17-2 x 1	 21 x 1	 22 x 1

MATÉRIEL

 11 x 3	 12 x 6	 15 x 32
 18 x 2	 19 x 2	 20 x 8
 23 x 6		



Préparation de votre Espace de Travail

1. Avant de commencer, il est préférable de mettre en place tous les outils nécessaires pour faciliter l'assemblage.
Préférez la section outils requis pour la liste des outils nécessaires.



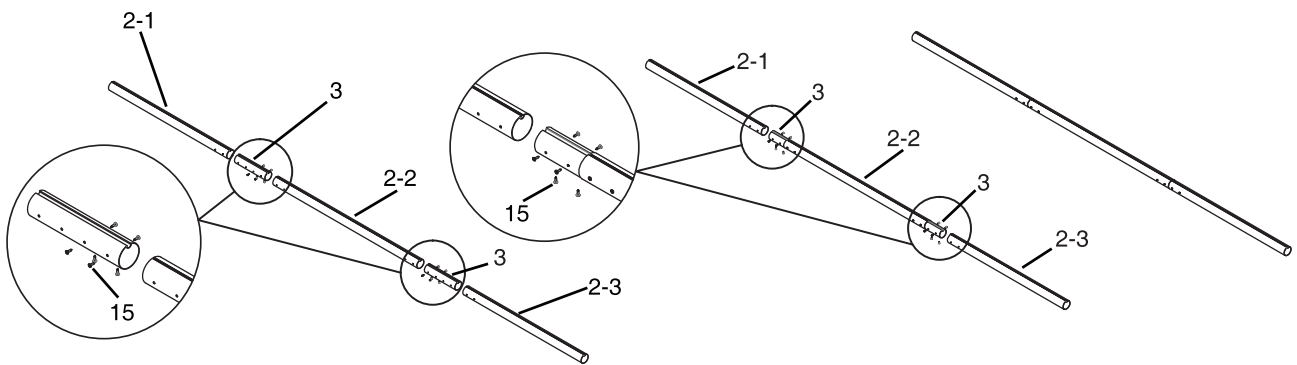
AVERTISSEMENT

N'enlevez pas l'enveloppe de sécurité qui retient les bras d'auvent vers le bas. Des blessures graves peuvent résulter de l'enlèvement de l'enveloppe trop tôt.

2. Ouvrez la caisse d'auvent et déballez chaque pièce soigneusement pour éviter d'endommager le produit.
3. Disposez chaque pièce de l'auvent pour s'assurer que toutes les pièces sont complètes. Reportez-vous au schéma des pièces pour obtenir des informations détaillées sur les pièces.
4. Ouvrez la petite boîte intérieure qui contient les petites parties et posez-les également.

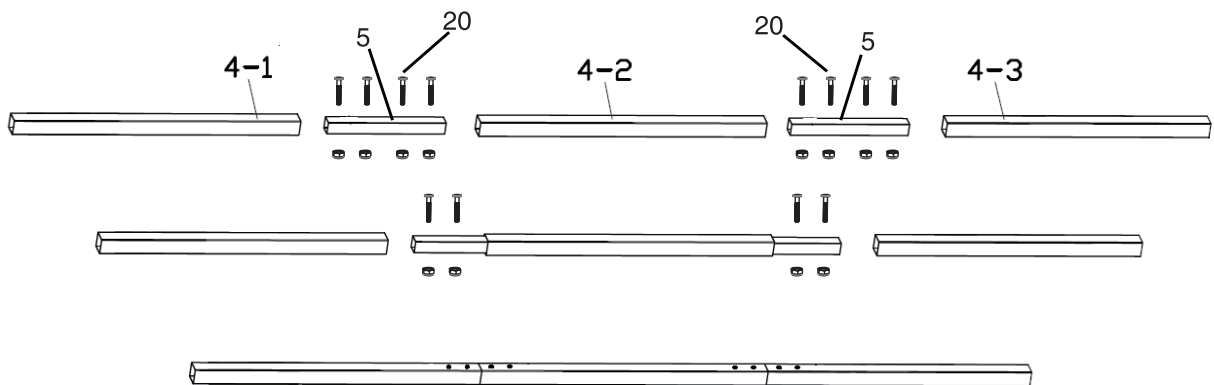
Étape 1: Assemblage du rouleau

Gardez les rouleaux alignés, assemblez le rouleau avec les connecteurs et fixez-le avec les boulons correspondants comme illustré ci-dessous:

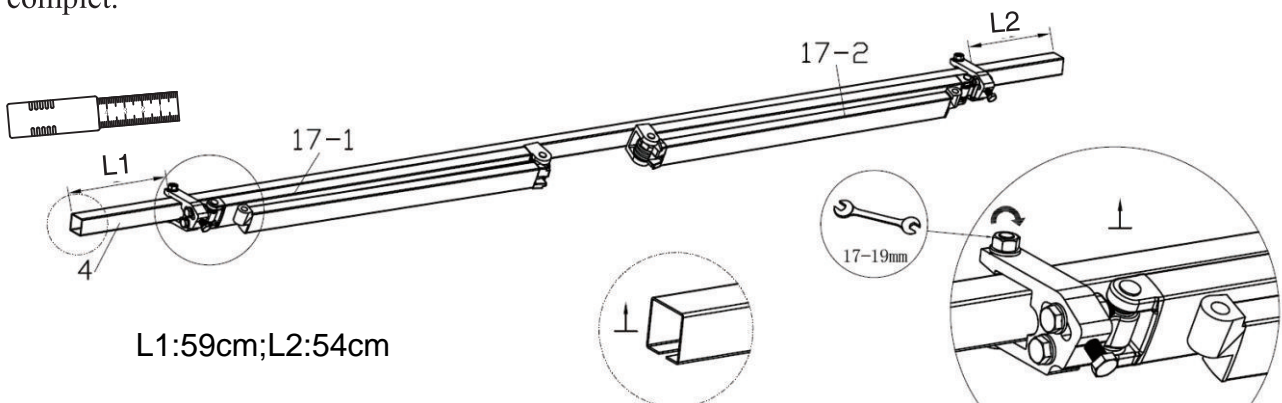


Étape 2: Barre de torsion et assemblage du bras:

Maintenez les quatre faces alignées, connectez la barre de torsion avec les connecteurs et fixez-la avec les boulons correspondants comme indiqué ci-dessous:

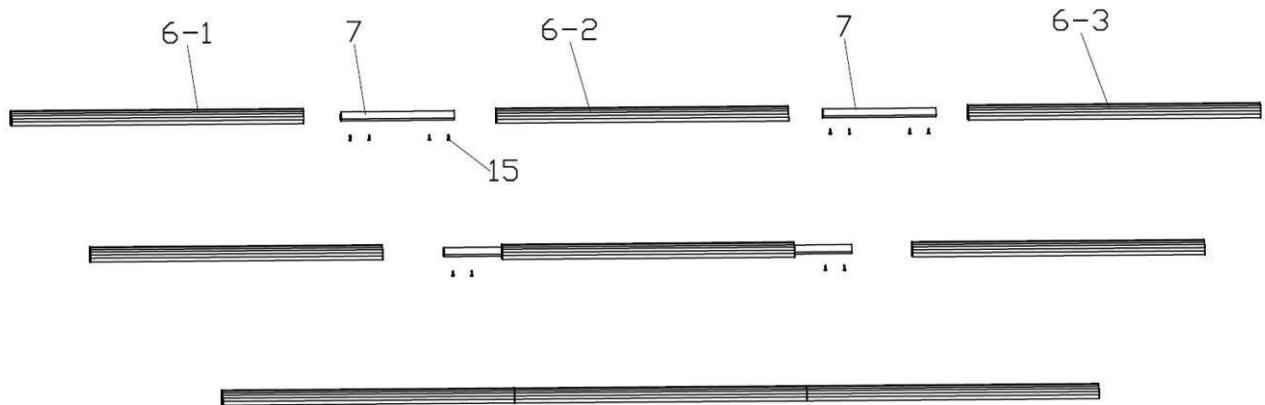


Ensuite, assemblez le bras à la barre de torsion comme illustré ci-dessous. Deux bras ont besoin dans la même direction, la corde de bras ne peut pas être débloquée jusqu'à ce que l'ensemble soit complet.

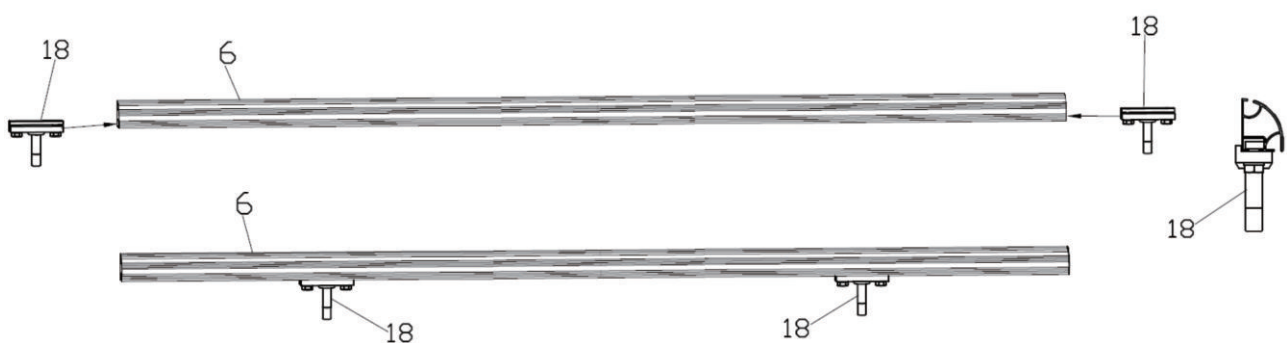


Étape 3: Assemblage de la barre avant

Connectez la barre avant avec les connecteurs et fixez-la avec les boulons correspondants comme illustré ci-dessous: (maintenez la barre avant alignée).

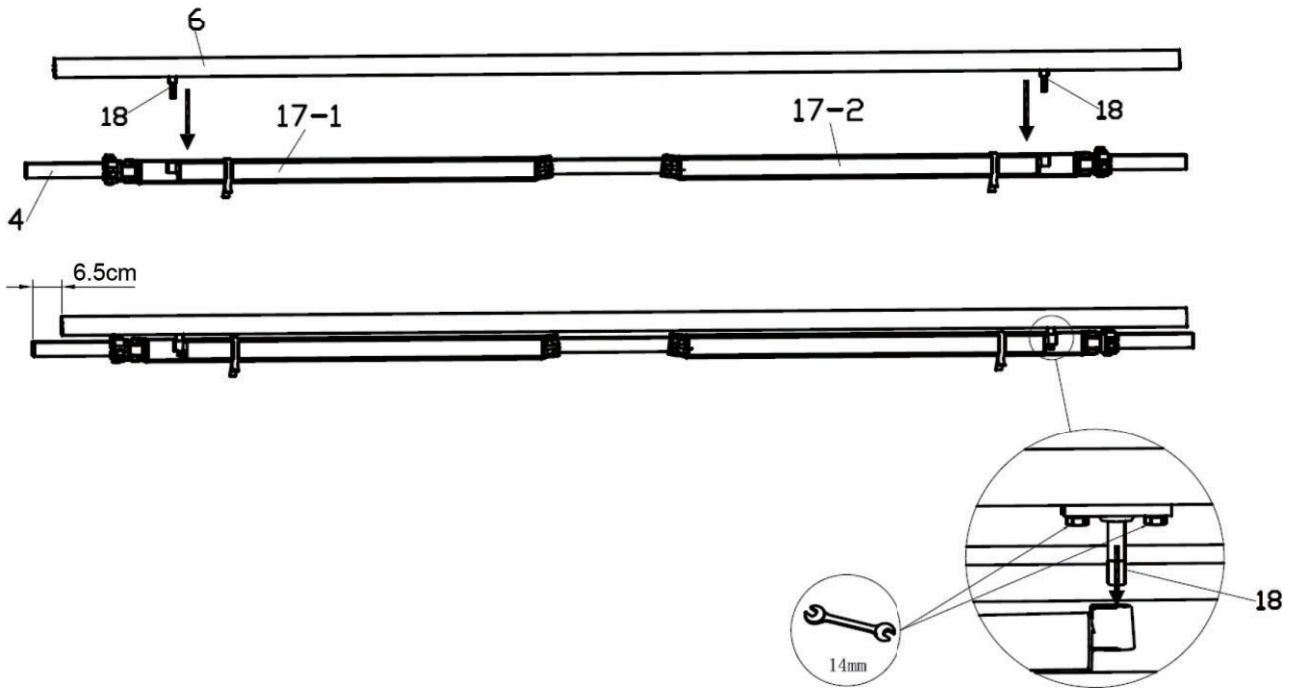
**Étape 4: Assemblage du support de poignet avant**

Faites glisser les pieds de la barre avant dans la barre avant sans les serrer. Comme le montre la figure ci-dessous.



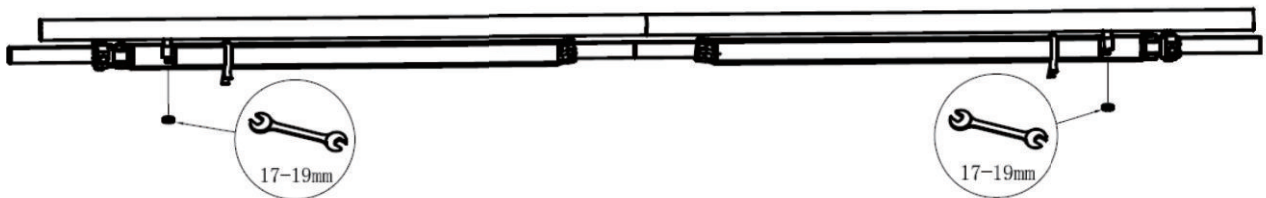
Étape 5: Bras avec assemblage de la barre avant

Placez les boulons de la barre avant dans le trou du petit bras, puis positionnez la barre avant. Après le positionnement, serrer l'écrou avec une clé, comme illustré ci-dessous:



Étape 6: Lier l'écrou autobloquant

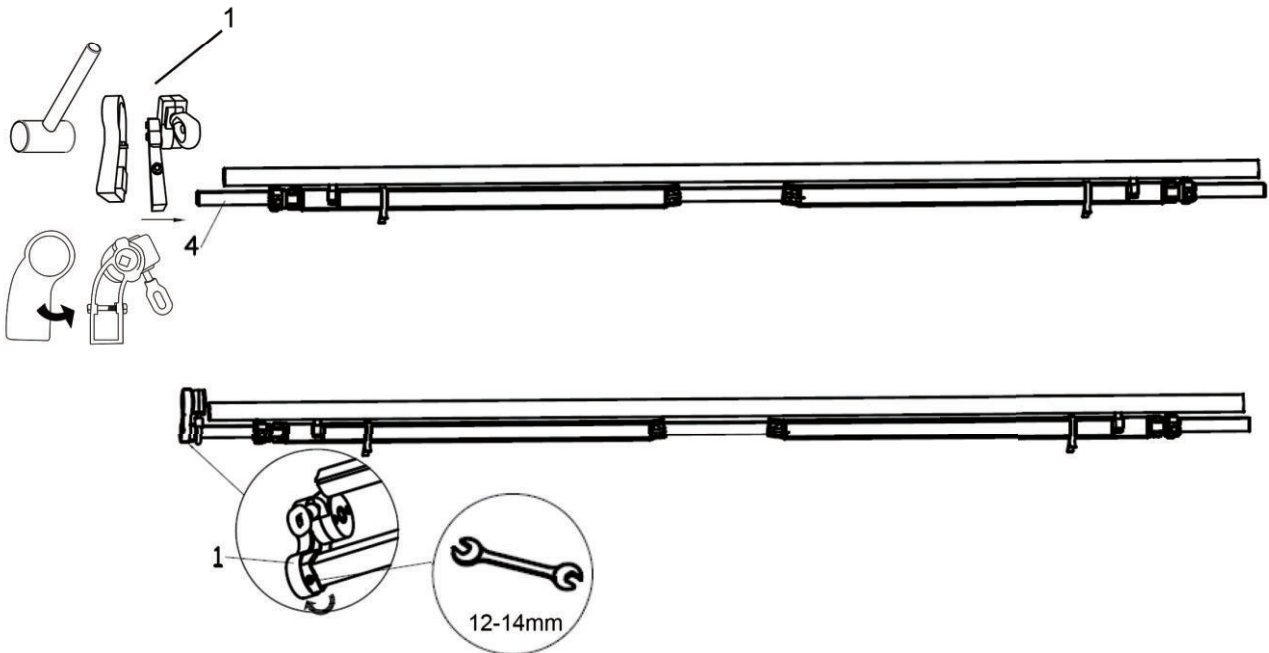
Relier l'écrou autobloquant dans la vis qui au fond de la vis dans les pieds de la barre avant par une clé, arrêter lorsque la fuite de fil 1 ~ 2 tours. Comme le montre la figure ci-dessous:



ATTENTION: AVANT DE BLOQUER L'ÉCROU, ASSUREZ-VOUS QUE LES BRAS SONT CORRECTEMENT ALIGNÉS.

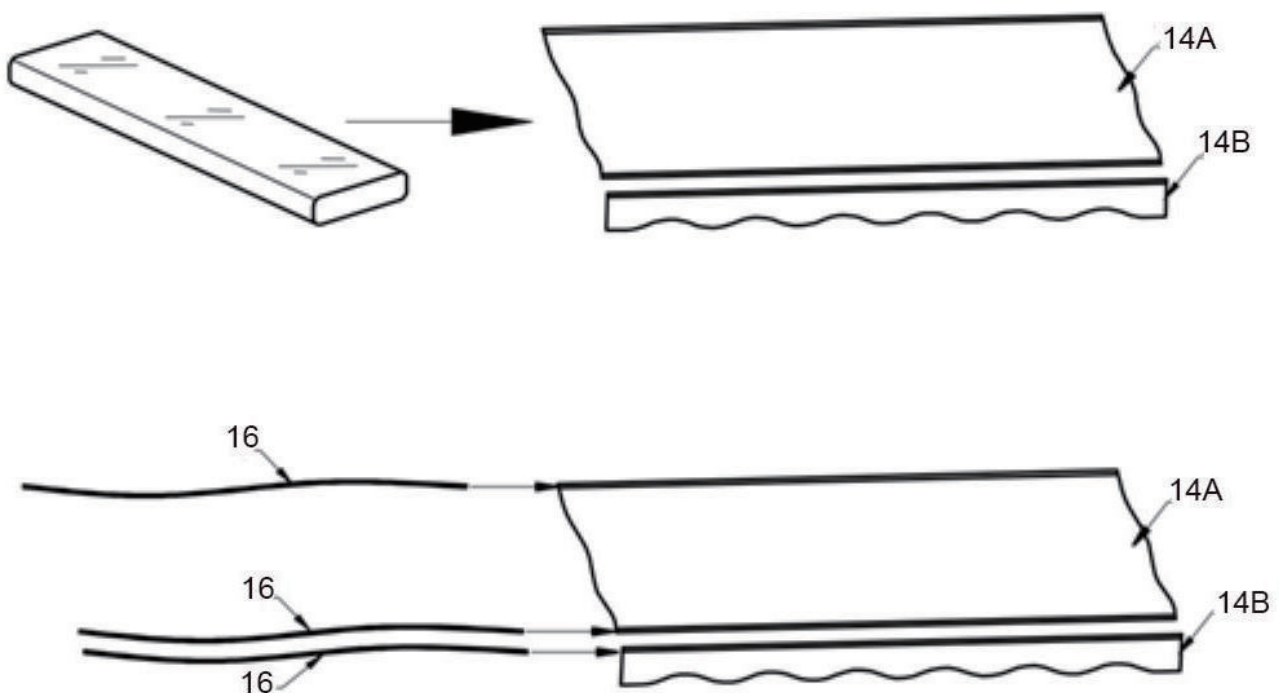
Étape 7: Support de rouleau gauche avec l'ensemble de boîte de vitesses:

Marteler le support du rouleau gauche avec la boîte de vitesses dans l'extrémité gauche de la barre de torsion à l'aide d'un marteau en bois, puis serrer le boulon hexagonal gauche avec une clé hexagonale de 5 mm. Comme le montre la figure ci-dessous:



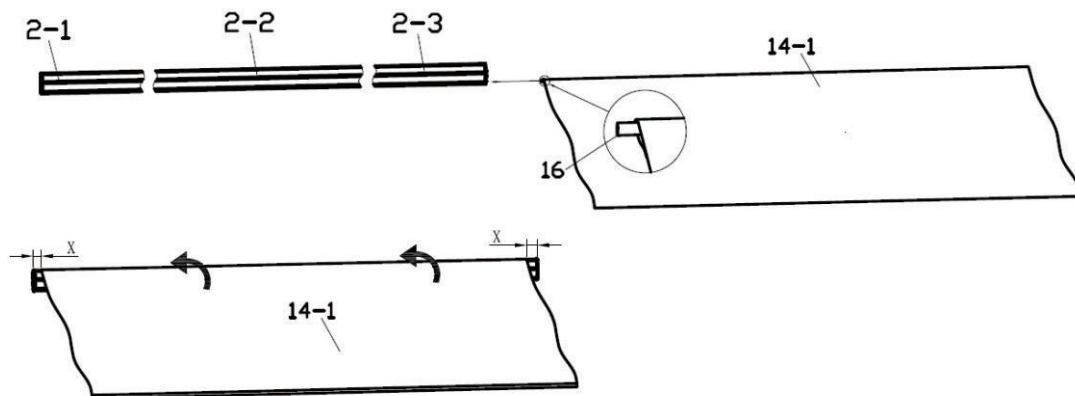
Étape 8: Assemblage du tissu et de la cantonnière

Ouvrez le sac en tissu. Étalez le tissu 14A et la cantonnière 14B et utilisez le fil de guidage du tissu pour passer à travers le tissu. Comme le montre la figure ci-dessous:



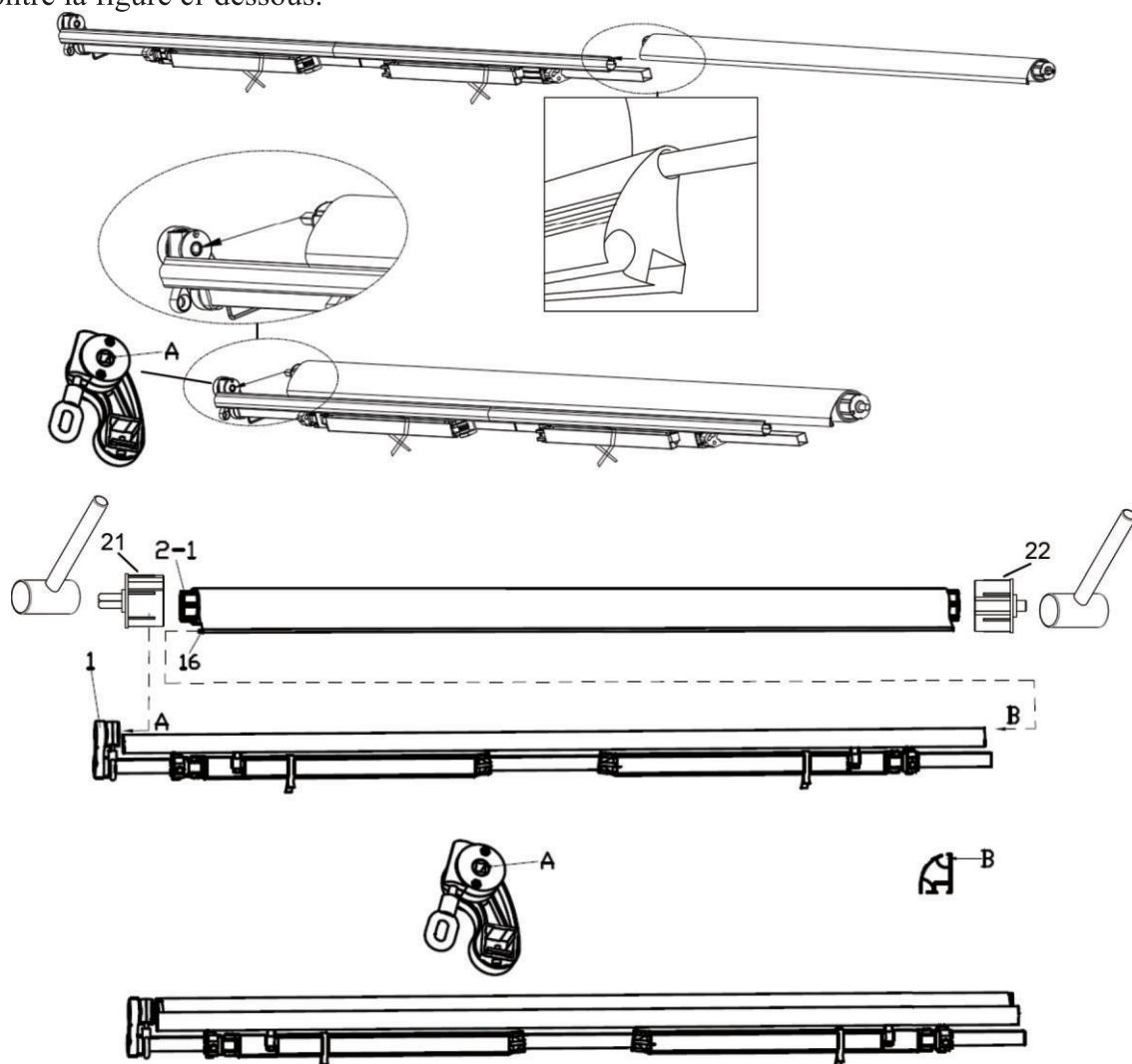
Étape 9: Rouler dans le tissu sur le rouleau

Rouler dans le tissu sur le rouleau, faire attention à la direction du tissu nécessaire, comme indiqué dans la figure ci-dessous: S'il vous plaît face vers le haut du tissu lors de l'assemblage. Gardez le même espacement X aux deux extrémités. Répartissez le tissu lentement en cas de dommages.



Étape 10:

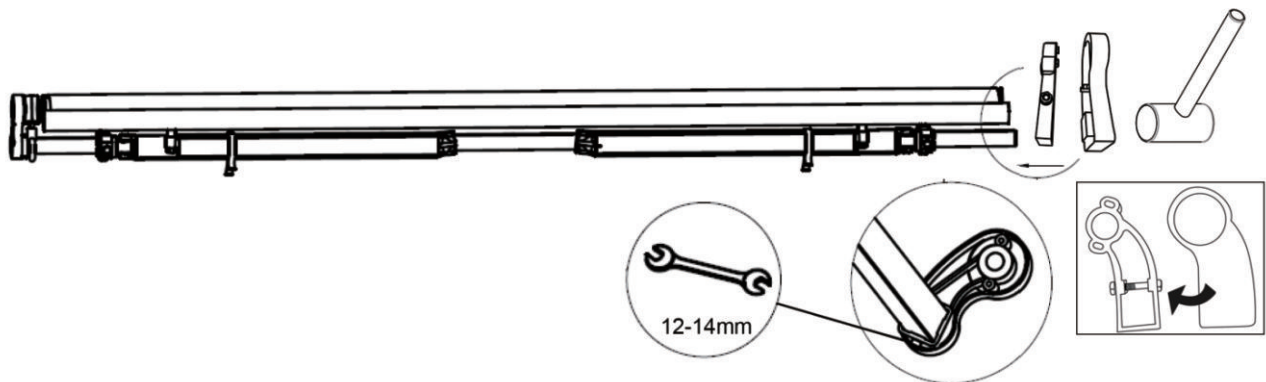
Une extrémité du tissu à travers la rainure de la barre avant, bien distribué le tissu après avoir tiré dans tout le tissu, puis insérer l'arbre du rouleau dans le trou carré du carter d'engrenage. Comme le montre la figure ci-dessous.



Si la partie de la barre avant est légèrement déformée, veuillez l'ajuster vous-même avec des outils.

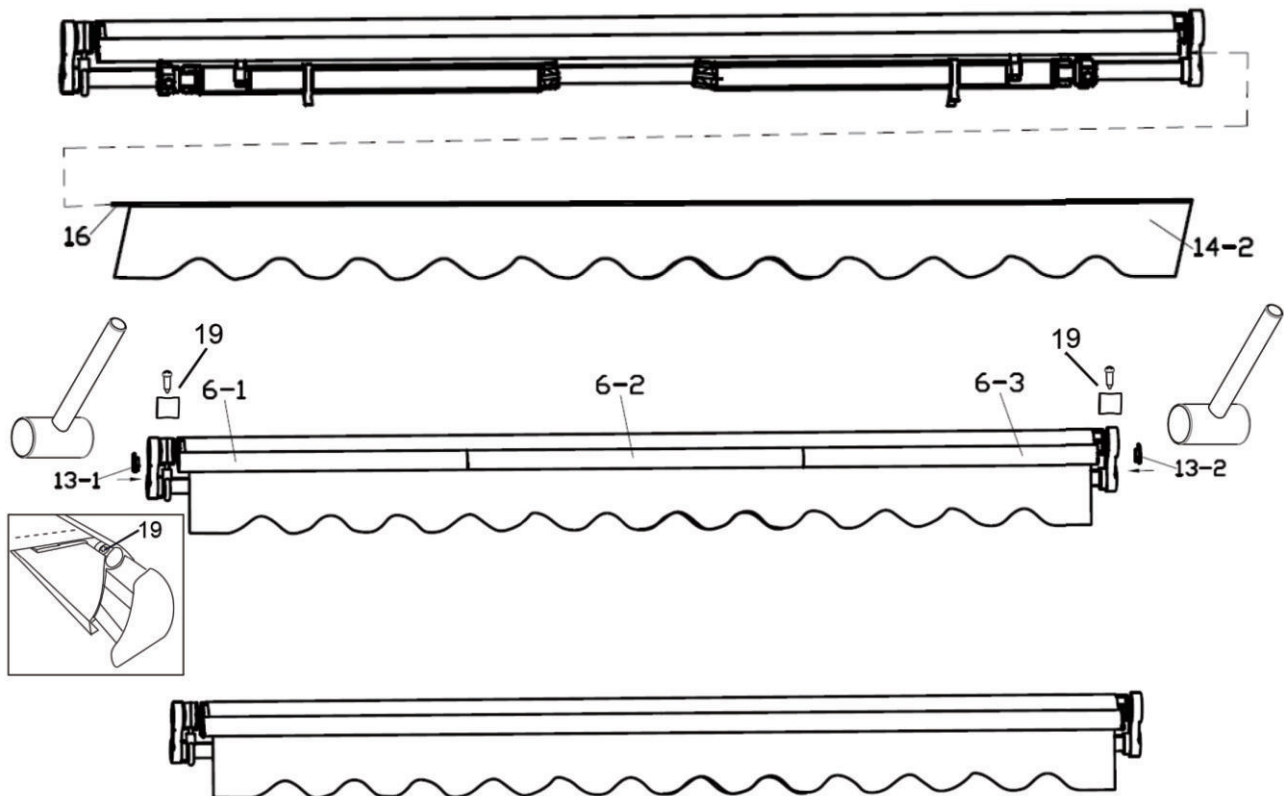
Étape 11: Assemblage du support du rouleau droit

Insérez l'arbre du rouleau dans le bouchon du tube de roulement; Pendant ce temps, insérez la barre de torsion dans les supports du rouleau droit en frappant. Serrer ensuite le boulon hexagonal droit avec une clé hexagonale de 5 mm. Comme le montre la figure ci-dessous:



Étape 12: Assembler pour faire un auvent entier

Faire la jupe à travers la rainure de la barre avant, faire attention à la direction et s'assurer que les côtés gauche et droit en moyenne, puis frapper le couvercle de la barre avant dans l'extrémité de la barre avant. Comme le montre la figure ci-dessous:



Si la partie de la barre avant est légèrement déformée, veuillez l'ajuster vous-même avec des outils.



Si vous constatez que le tissu s'enroule de façon inégale ou que les deux bras ne s'ouvrent pas ensemble en même temps, regardez la stabilité des deux bras. Solution : ajustez la position du lien de barre d'entraînement sur la barre avant vers l'extérieur, au besoin.

Spécification

Désignation du produit	Traitement des matériaux et de la surface	Type de mur applicable	Hauteur d'installation Recommandée	Météo applicable
Auvent Rétractable (Veuillez voir les détails sur le paquet)	Matériaux : Tube d'acier, alliage d'aluminium, pièces en plastique, tissu polyester. Traitement de service : Tubes : peinture de pulvérisation et oxydation Surface de tissu : PU, UV, imperméable à l'eau	Murs en béton armé, murs en briques et murs en bois	2,5 m à 4 m 8'-13'	Les produits sont utilisés pour protéger le soleil. Applicable lorsque le vent est inférieur au niveau 5. Ne convient pas au temps pluvieux.

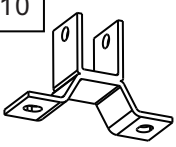

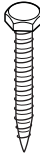
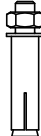
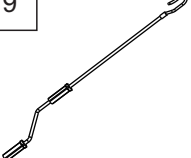
Montage mural

Notes sur le montage mural

Cet auvent peut être fixé au béton armé, à la brique et au mur en bois. Cependant, ce kit d'auvent ne fournit que des vis adaptées au montage aux murs en brique et en béton armé.

Si vous souhaitez fixer votre auvent en bois, veuillez utiliser une vis en bois d'une longueur adéquate et d'un diamètre approprié pour fixer l'auvent aux poutres en bois. La taille du boulon dépend de la taille du bois ; ceux-ci peuvent être achetés dans une quincaillerie. Nous recommandons un installateur professionnel pour l'installation la plus sûre et la plus sécurisée.

Ne tentez jamais de fixer les supports muraux à des pierres de mur détachées ou à des surfaces qui ne sont pas absolument fermes!

10  Support mural 3PCS	11  Vis hexagonal 3PCS	23  Vis en bois 6PCS	12  Boulon à expansion 6PCS	9  Manivelle 1PC
--	--	--	--	--



MISE EN GARDE

L'emplacement correct des supports est l'aspect le plus important de l'installation de l'auvent. Il est essentiel que vous fixiez tous les supports de montage aux montants, aux solives, aux linteaux ou à d'autres éléments structurels importants.

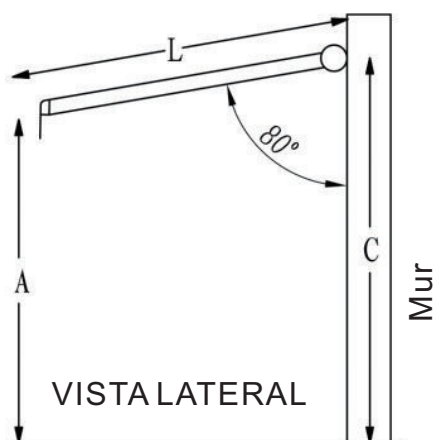


AVERTISSEMENT

Si les supports ne sont pas bien fixés au mur, ce qui pourrait entraîner l'effondrement de l'auvent et causer des blessures ou la mort.

Hauteur de Montage

Il est important de prendre en considération la zone de chute de l'auvent avant de boulonner vos supports muraux. Si vous souhaitez monter au-dessus d'une porte de patio, par exemple, veuillez laisser au moins 8" (20.5cm) au-dessus du cadre de la porte et veillez à ce que l'auvent n'interfère pas avec l'ouverture et la fermeture de la porte. L'angle de chute ne peut être modifié que de façon minimale, alors tenez-en compte lorsque vous décidez où placer votre auvent.



Nous recommandons que la surface de l'auvent fasse un angle d'environ 80 degrés par rapport au mur lorsqu'il est ouvert.

Hauteur d'installation : 8-13' (2.5-4m).
L'angle de chute idéal (en extension complète) a déjà été réglé en usine, de sorte que vous n'aurez peut-être pas à modifier l'inclinaison/angle.

Calculs:

Vous utilisez la formule pour calculer l'angle approprié.

$$C = A + 0,17 * L$$

A = La hauteur souhaitée de la barre avant

L = La longueur du bras tendu

C = La hauteur des supports muraux

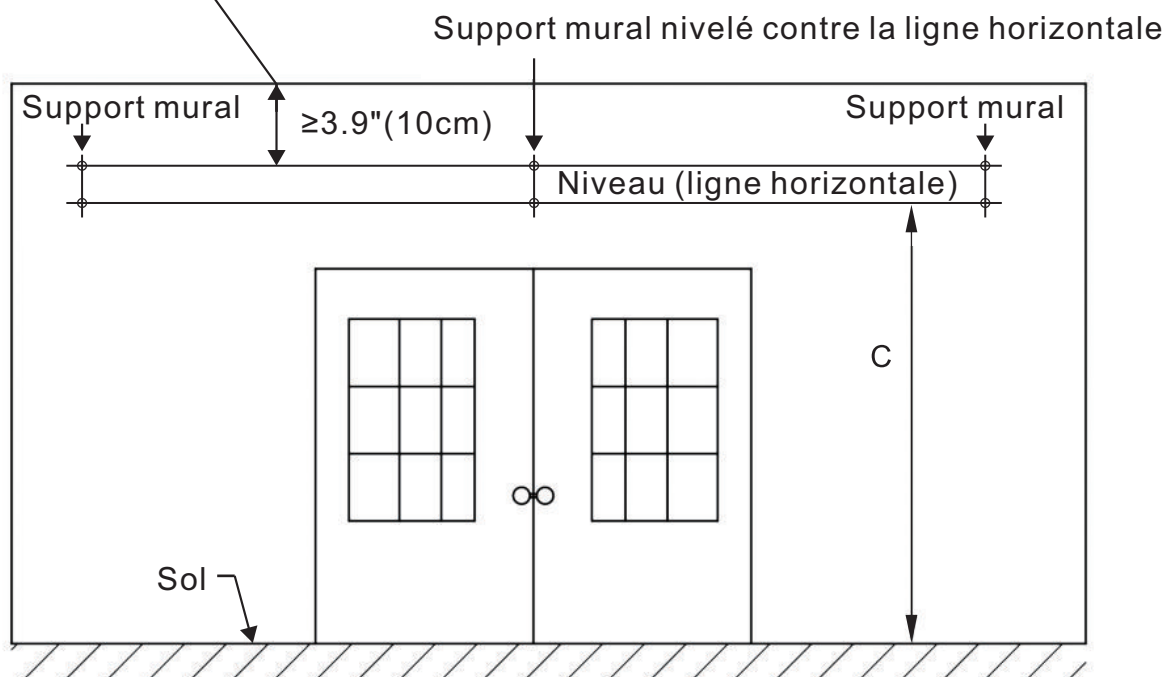
ÉTAPE 1

Mesure du Site de Montage

1. Mesurez la longueur de votre auvent le long du mur où vous comptez l'installer. Cette ligne sera le point le plus élevé de votre auvent et s'alignera avec le haut du support mural. Utilisez un niveleur pour tracer une ligne à la craie sur la distance.
2. Important: Vérifiez que la ligne est bien à niveau sur toute la longueur.
3. Veillez à ce que la ligne est centrée sur la porte de patio, la fenêtre ou tout autre élément, le cas échéant.
4. Maintenant que vous avez une ligne droite et centrée, mesurez le point central et marquez-le. C'est là que le support mural du milieu sera installé.
5. Prenez un support mural et placez le haut de celui-ci, complètement à niveau, sous la ligne, comme indiqué dans le schéma ci-dessous. Marquez à la craie ou au crayon la position de tous les supports muraux et de leurs trous de boulons. Veuillez noter que la distance entre chaque support mural doit être la même.

Auvent < 10.8'(3.5m)	Nécessite seulement 2 supports muraux au total : un pour chaque extrémité des barres de torsion.
Auvent = 10.8-14'(3.5-4m)	Nécessite 3 supports muraux au total : un pour chaque extrémité et un au milieu.

Distance entre les avant-toits et le support mural $\geq 3.9"$ (10cm)



ÉTAPE 2

Perçage des Trous de Boulon

1. Maintenant que vous avez une ligne de niveau droit à travers le mur avec les emplacements des supports muraux et leurs trous de boulon marqué, vous pouvez percer des trous pour monter les supports.



2. À l'aide d'un foret à maçonnerie de 0.55" (14mm), percez le premier trou de boulon à environ 3.15" (8cm) de profondeur, comme indiqué sur le schéma. Ce trou doit être percé à travers de la brique solide ou du béton pour offrir le support nécessaire à l'auvent.

3. Percez les autres trous exactement comme à l'étape 2.



AVERTISSEMENT

Tous les trous de boulon doivent être alignés verticalement et horizontalement pour s'assurer que l'auvent est droit. Vérifiez l'alignement avant le forage si vous n'êtes pas certain.



AVERTISSEMENT

Le diamètre et la profondeur de vos trous de montage doivent être de la même taille que les boulons à expansion.

ÉTAPE 3

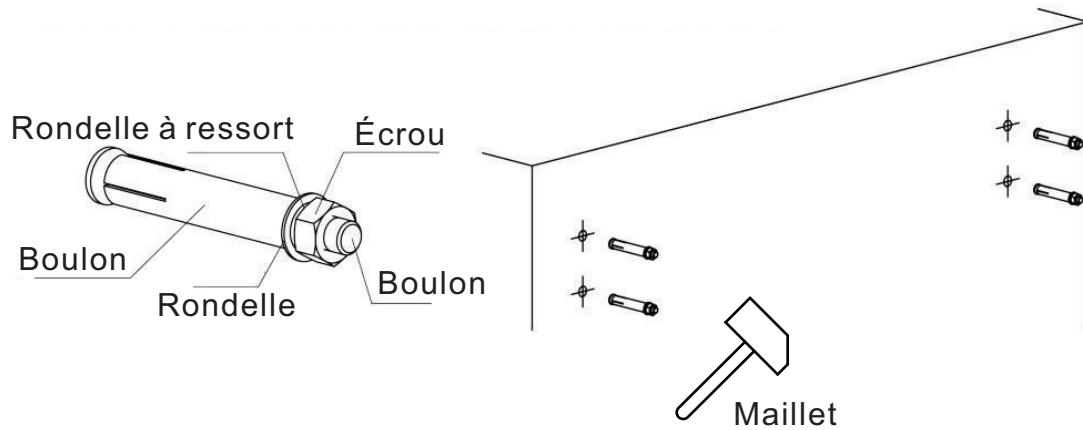
Préparation au Montage

1. Maintenant que tous vos trous sont percés, insérez les boulons à expansion.
2. Il peut être nécessaire d'enfoncer les boulons avec un maillet en bois (ou autre maillet non métallique).



Si un maillet est nécessaire pour l'installation, nous vous recommandons de placer l'écrou sur la vis (desserré) avant de marteler pour éviter d'endommager les filetages de boulon.

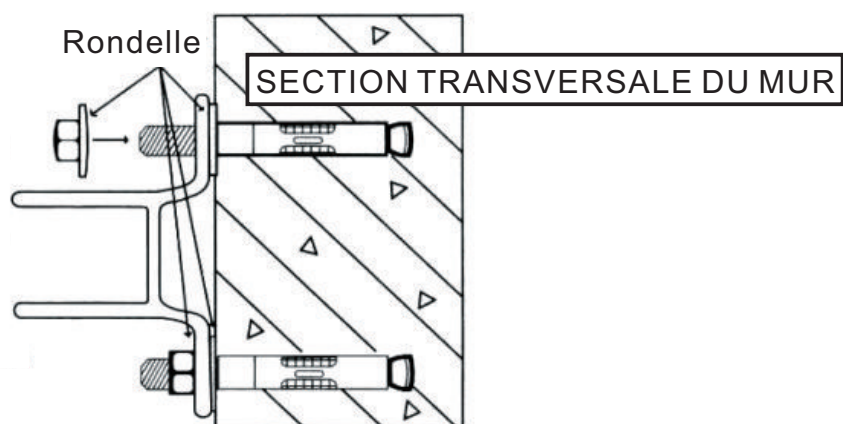
3. Veillez à ce que les boulons sont fermes en place, mais laissez-les sortir du mur d'environ 1 pouce ou moins-assez que le support mural peut être installé sur eux. Serrez bien les boulons avec une clé hexagonal de 0.75"(19mm). Il est préférable d'utiliser la clé hexagonale avec une extrémité fermée plutôt que d'une extrémité ouverte pour éviter d'endommager l'écrou, s'il venait de glisser.



ÉTAPE 4

Montage des Supports Muraux

1. Maintenez que les boulons sont bien installés dans le mur, retirez les écrous qui sont placés librement sur les boulons.
2. Placez un support mural sur un ensemble de boulons. Cela devrait être un ajustement facile si les trous de boulon sont correctement alignés.
3. Une fois que le support mural repose sur les boulons, placez une rondelle sur le boulon. Ensuite, fixez-le avec un écrou, comme le montre le schéma.

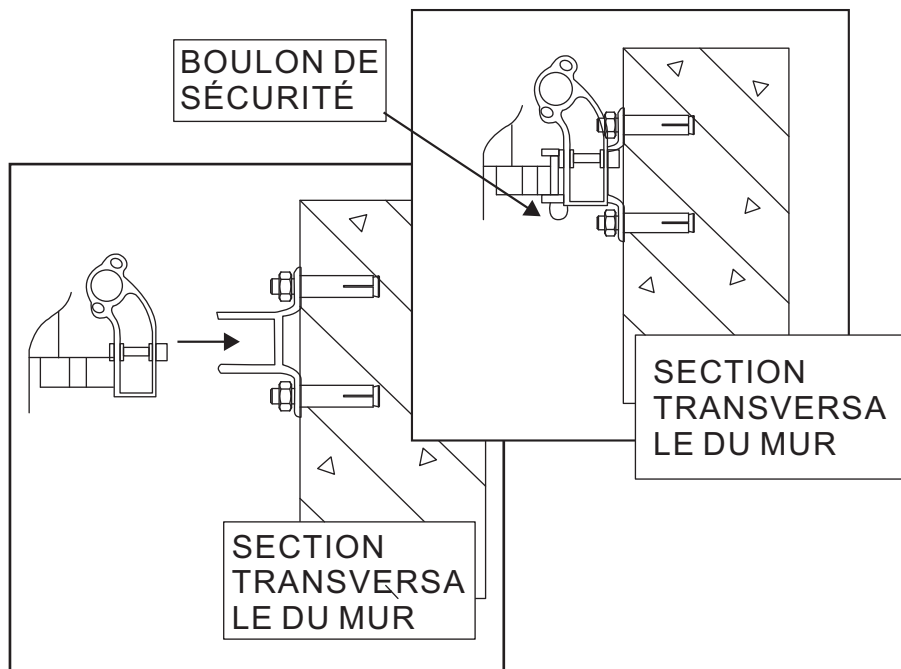


4. Les crochets DOIVENT s'asseoir fermement sur le mur. S'il y a un mouvement, vous devez le resserrer davantage.
5. Répétez cette étape pour chacun des supports muraux. Une fois que vous faites cela, tous les supports muraux seront solidement installés en place.

ÉTAPE 5

Montage de l'Auvent

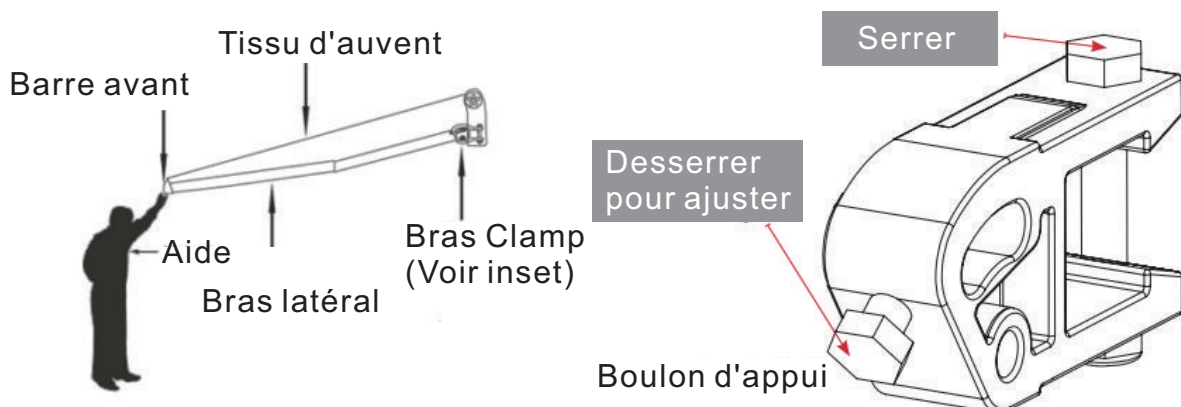
1. Maintenant que les supports muraux sont bien fixés et en place, il est temps d'installer l'auvent sur les supports.
2. Il faut au moins deux échelles ou des chaises robustes pour installer l'auvent.
3. Placez les barres de torsion sur les supports muraux et serrez-les avec les vis hexagonales.
4. Enfin, fixez tous les boulons à expansion.
5. À l'aide de la manivelle ou d'un moteur (le cas échéant), ouvrez complètement votre auvent. La barre avant doit être de niveau.
6. Félicitations ! Votre auvent est installé. Si vous êtes satisfait de la hauteur de la barre avant (l'inclinaison de l'auvent), asseyez-vous et profitez-en ! Sinon, continuez à lire.



INSTALLATION FACULTATIVE

Réglage de l'auvent

Chaque auvent est livré avec un angle/une inclinaison prédéfinis considérés comme idéaux. Toutefois, si vous devez procéder à un réglage, celui-ci peut être effectué en quelques étapes simples.



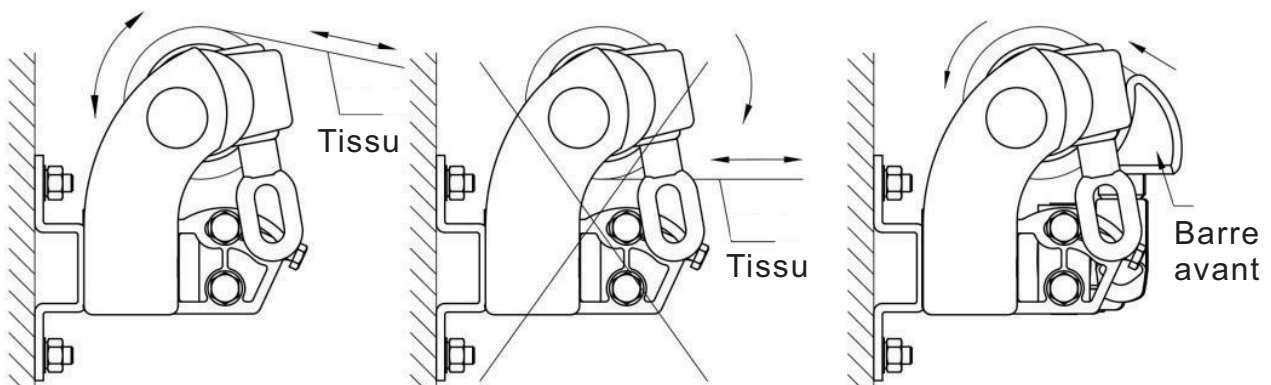


AVERTISSEMENT

Relever la barre avant réduira la hauteur/angle du tissu, augmentez ainsi le risque de mise en commun de l'eau de pluie sur le tissu. Pour éviter que l'auvent ne s'effondre en raison du poids de l'eau de pluie, vous devez rétracter l'auvent lorsqu'il est sans surveillance. Si vous ne le faites pas, il pourrait entraîner une rupture de l'auvent ou des blessures corporelles.

Note: Veillez à ce que la barre avant s'ajuste pour être complètement uniforme. Tout désalignement entraînera une rétraction incorrecte.

ERREURS COURANTES



Opération correcte

Mauvaise opération



Avertissement

Lorsque la barre avant touche le rouleau comme le montre la figure, ne tentez pas de les rapprocher, sinon le produit peut être endommagé.

¡Gracias por comprar nuestro toldo retráctil! Esperamos que disfrute de nuestro producto durante muchos años.

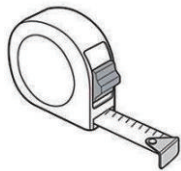
En el motivo de proteger su seguridad personal durante la instalación y aprovechar al máximo su toldo, lea este manual cuidadosamente antes de empezar a realizar la instalación.

Recomendamos que dos personas instalen este toldo. Si cree que la instalación es demasiado difícil de realizar por usted mismo, le recomendamos que pida ayuda de un contratista local de construcción o de mejoras para el hogar.

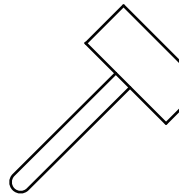
Comuníquese con la línea de atención de nuestra compañía al cliente, si tiene algún problema o necesita ayuda durante la instalación, si le faltan piezas o las piezas están defectuosas, o cualquier otro problema, haremos todo lo posible para ayudarle a resolver los problemas.

También podemos proporcionarle el video sobre montaje e instalación si usted lo desea.

Prepare las siguientes herramientas antes de realizar el montaje. (No incluidas)



Cinta métrica



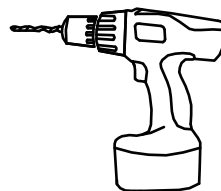
Mazo no metálico



Llave inglesa
(llaves de M17 y M14)



Destornillador cruzado



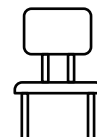
Taladro eléctrico con
broca de 14 mm



Nivelador de línea de tiza



Llave de 8 mm



Dos escaleras o sillas muy estables

INSTRUCCIONES DE MONTAJE



ADVERTENCIA

La instalación y operación inadecuadas del toldo pueden causar lesiones personales graves, dichas fallas del toldo no están cubiertas por la garantía. Siga todas las instrucciones del montaje cuidadosamente o comuníquese con el soporte técnico para pedir ayuda.

Antes de empezar, lea todas las siguientes precauciones de seguridad:



NO retire la envoltura de seguridad de los brazos del toldo hasta que se le indique retirarla. Los brazos del toldo se despedirán y pueden provocar lesiones graves si se manipulan inadecuadamente. NO se pare mirando hacia el frente del toldo al cortar las ataduras entre los brazos del toldo. Sostenga firmemente y estire lentamente hasta que los brazos del toldo esté abierto completamente.



La ubicación y fijación adecuadas de los soportes de pared son fundamentales. Siga las instrucciones del manual cuidadosamente. Si se falla en sujetar todos los soportes firmemente, lo que podría causar en el colapso del toldo y lesiones personales o la muerte.

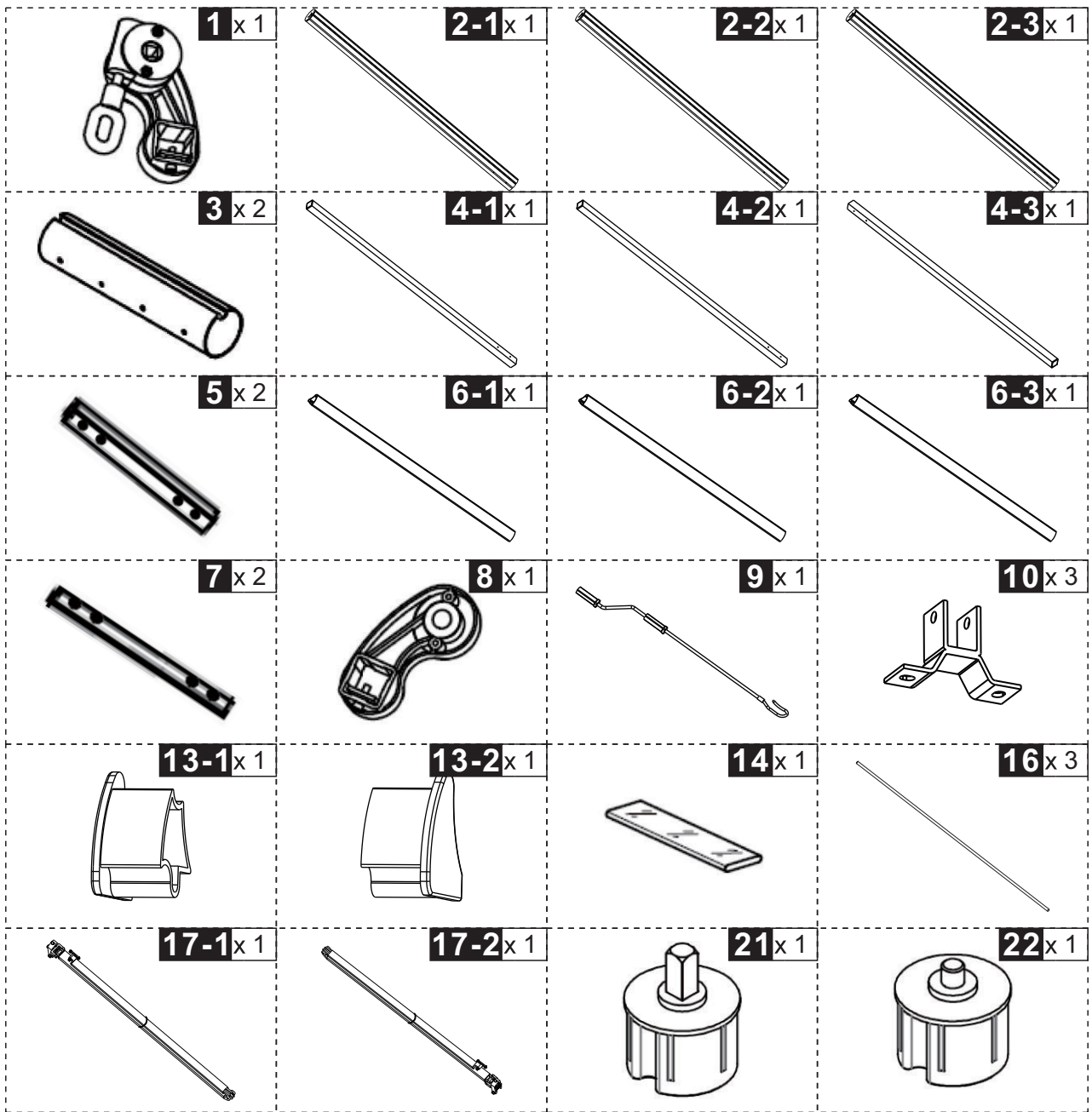


Mantenga a los niños alejados del área para realizar la instalación.

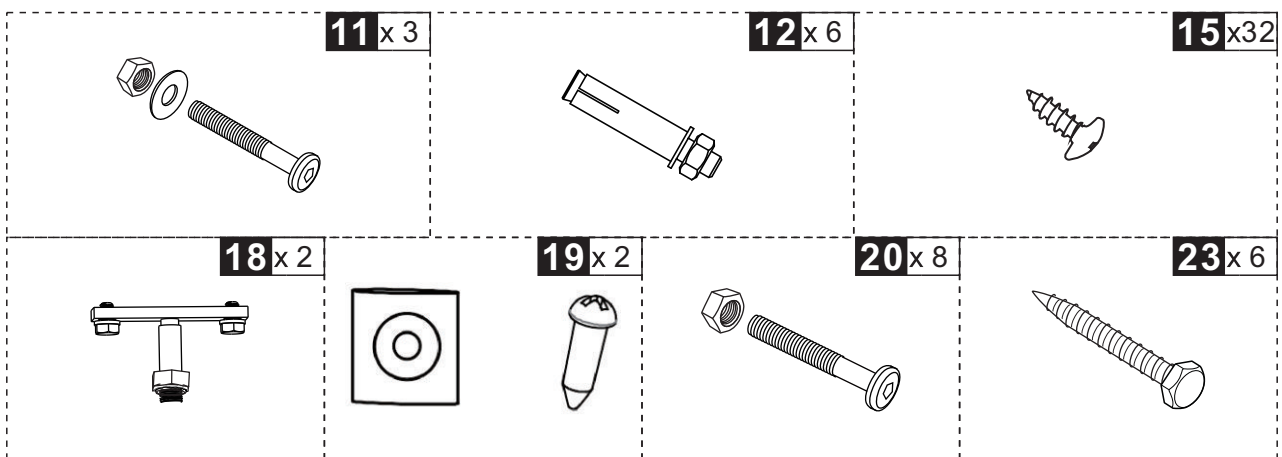
Instalación y operación seguras

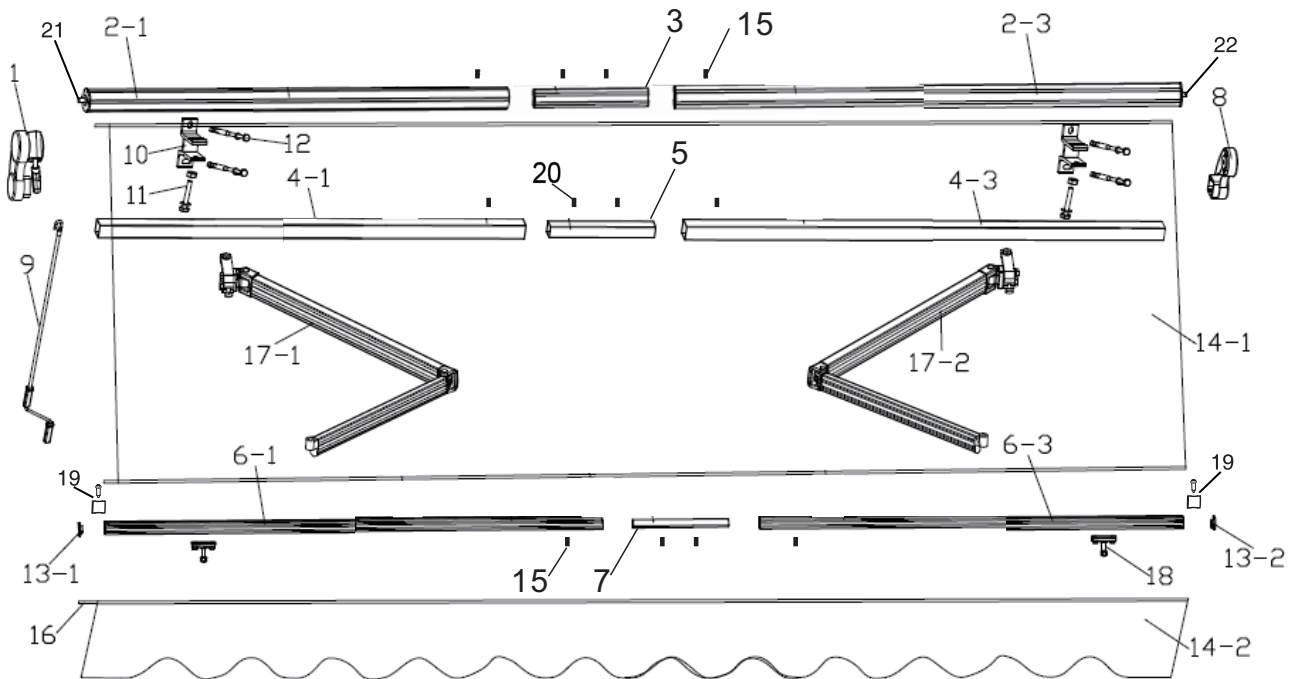
1. Nunca instale el toldo en lugares altos y ventosos, ya que el toldo de sombrilla puede caer y lastimar a otras personas.
2. No utilice el toldo en lugares que tengan vibraciones o impulsos.
3. No utilice el toldo en lugares con altas temperaturas, por ejemplo paredes cerca de hornos.
4. No coloque objetos pesados en el marco del toldo, ya que pueden caerse y causar daños.
5. Cierre el toldo en condiciones de tormenta, por ejemplo los días con mucho viento y lluvia.
6. Nunca utilice el toldo para otros fines distintos a los sugeridos.
7. Tenga cuidado con los dedos al realizar la instalación.
8. Se necesitan dos adultos para mover e instalar el toldo ya que el toldo es grande y pesado.
9. Utilice todos los tornillos y tuercas de manera correcta al realizar la instalación, ya que es muy peligroso si lo deja suelto.

PARTES



HARDWARE





Preparar el sitio de montaje

1. Antes de empezar a instalar el toldo, es mejor disponer todas las herramientas necesarias para que le facilite la instalación.

Vea la sección de “Lista de Herramientas” para conocer las herramientas necesarias.



ADVERTENCIA

NO retire la envoltura de seguridad de los brazos del toldo. Se pueden causar lesiones graves si quita la envoltura de seguridad demasiado pronto.

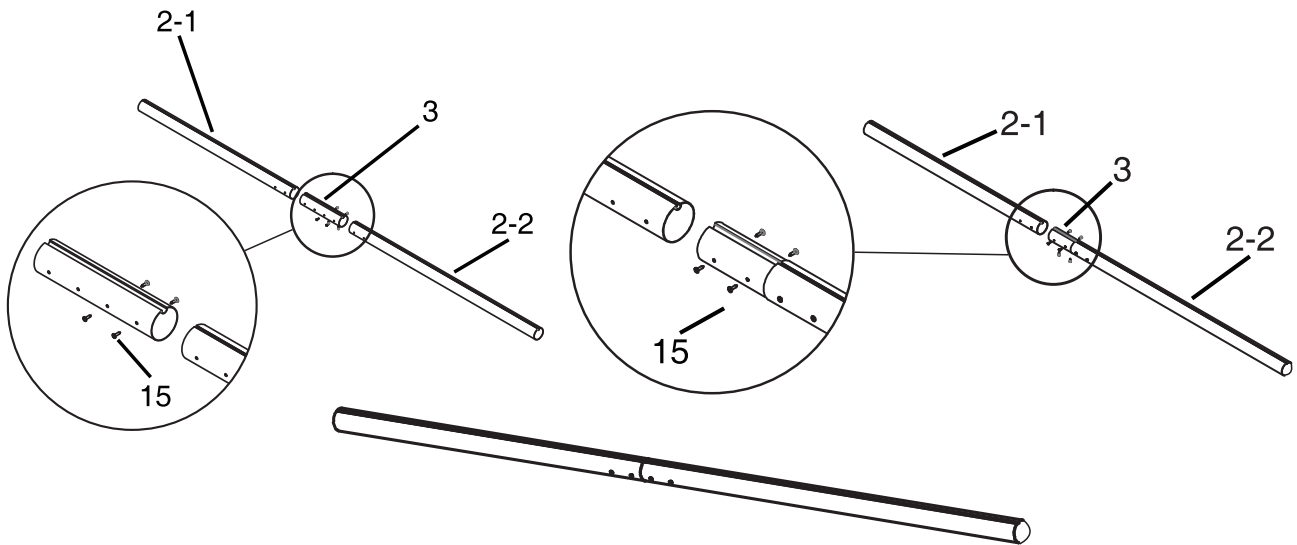
2. Abra la caja del toldo y desenvuelva cada pieza cuidadosamente para evitar daños al producto.

3. Extienda cada pieza del toldo para asegurarse de que todas las piezas estén presentes. Vea el “Diagrama de Piezas” para lograr información detallada sobre las piezas.

4. Abra la pequeña caja que contiene las piezas pequeñas y colóquelas en su lado también.

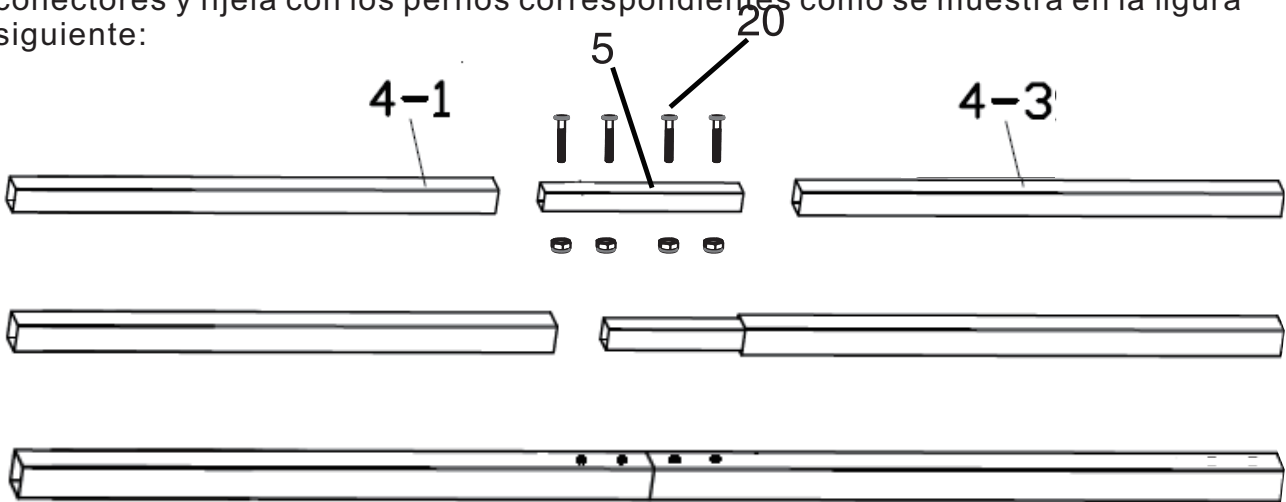
Paso 1: montaje del rodillo

Mantenga los rodillos alineados, monte el rodillo con los conectores y fíjelo con los pernos correspondientes como se muestra en la figura siguiente:

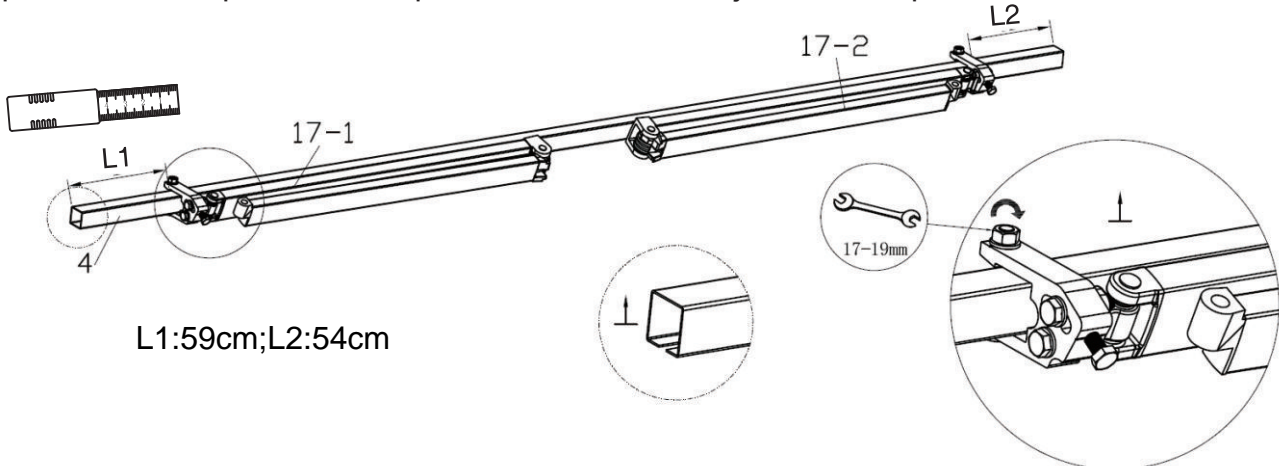


Paso 2: Montaje de barra y brazo de torsión:

Mantenga las cuatro caras alineadas, conecte la barra de torsión con los conectores y fíjela con los pernos correspondientes como se muestra en la figura siguiente:

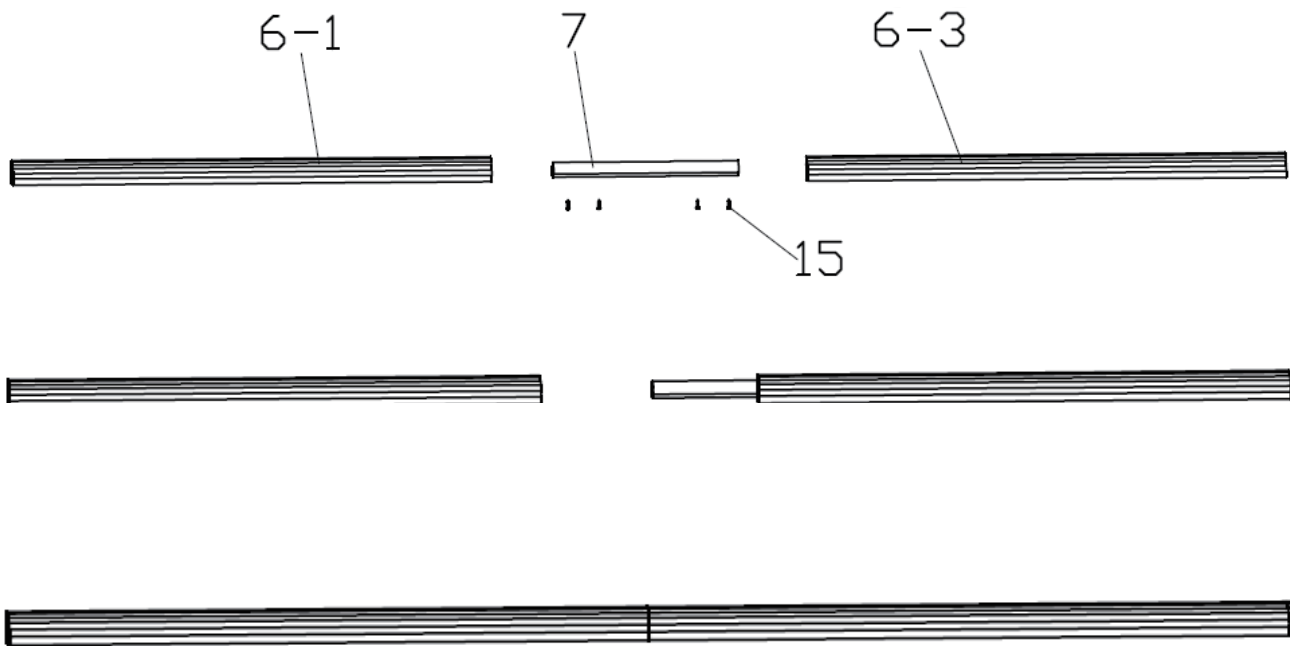


Luego ensamble el brazo a la barra de torsión como se muestra en la figura siguiente. Se necesitan dos brazos en la misma dirección, la cuerda del brazo no se puede desbloquear hasta que todo el ensamblaje esté completo.

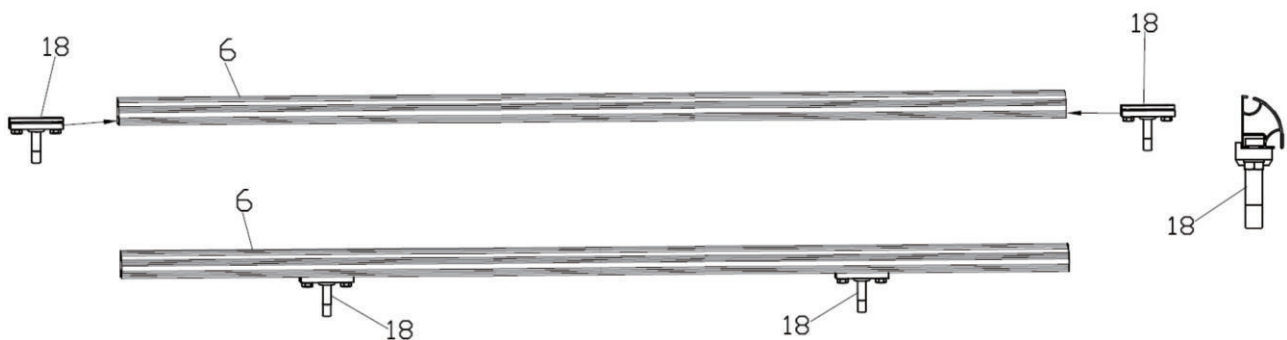


Paso 3: montaje de la barra frontal

Conecte la barra frontal con conectores y fíjela con los pernos correspondientes como se muestra a continuación: (Mantenga la barra frontal alineada).

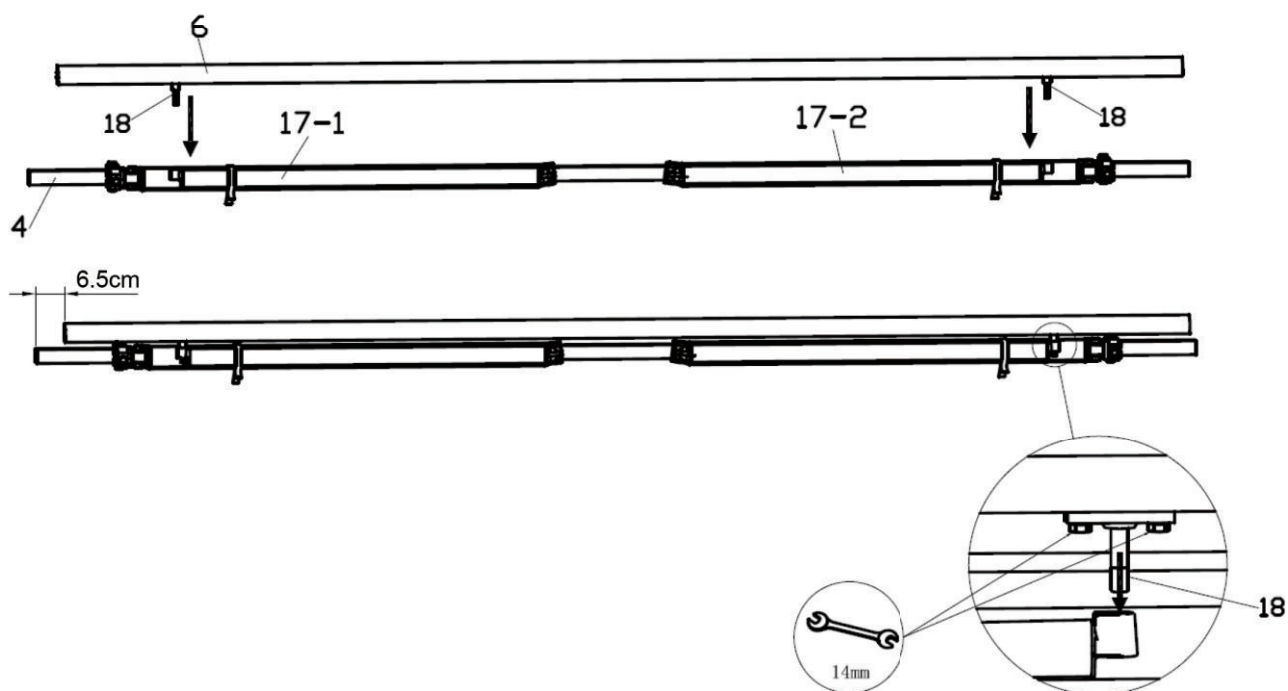
**Paso 4: Montaje del soporte de muñeca de la barra frontal:**

Deslice las patas de la barra delantera en la barra delantera sin apretarlas, como se muestra en la siguiente figura:



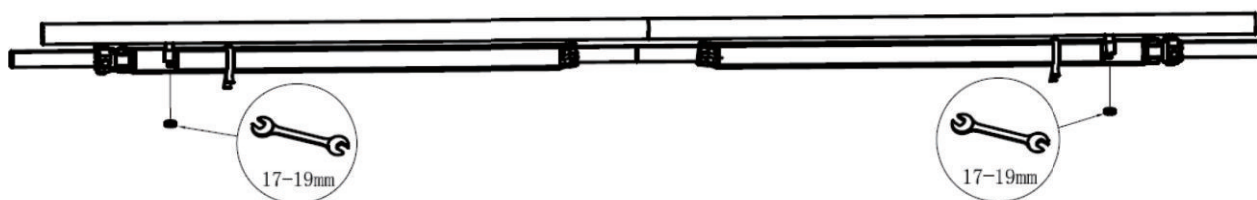
Paso 5: Brazos con ensamblaje de barra frontal:

Coloque el perno del pie de la barra delantera a través del orificio del brazo pequeño, luego coloque la barra delantera. Después de colocarla, apriete la tuerca con la llave, como se muestra en la figura siguiente:



Paso 6: conecte la tuerca autoblocante

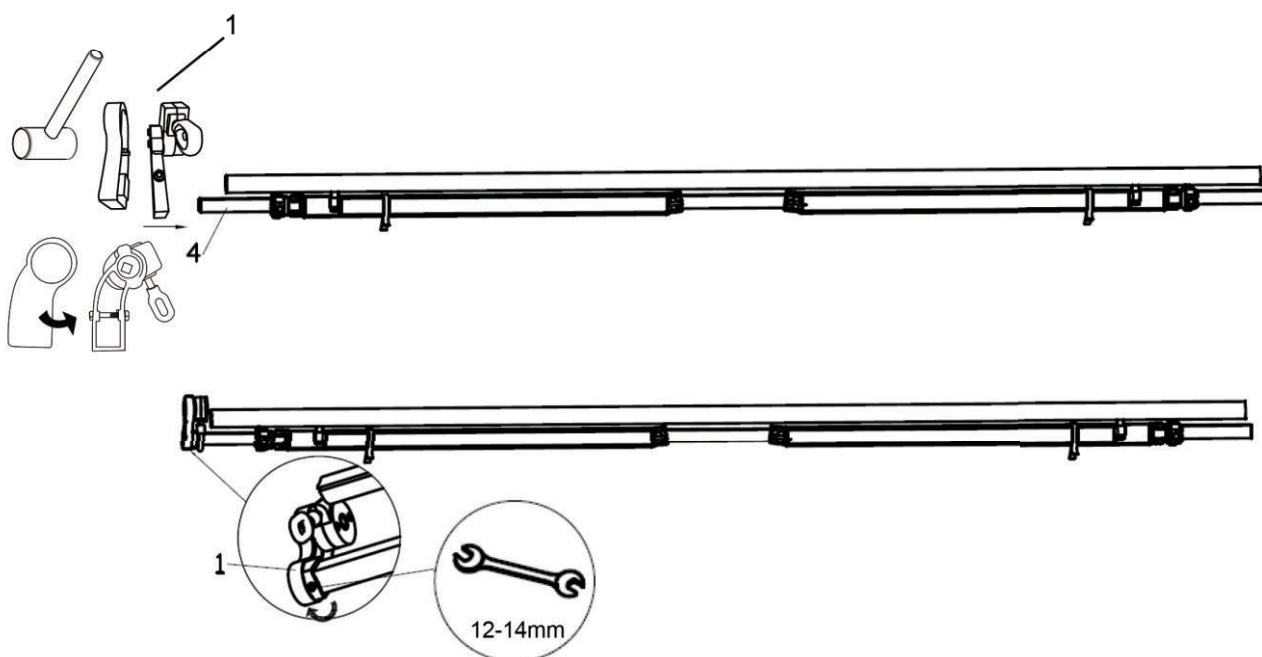
Conecte la tuerca autoblocante en el tornillo que en la parte inferior del tornillo en los pies de la barra frontal con una llave, deténgase cuando la rosca: gotee 1 ~ 2 vueltas Como se muestra en la siguiente figura:



ATENCIÓN: ANTES DE BLOQUEAR LA TUERCA, ASEGÚRESE DE QUE LOS BRAZOS ESTÉN CORRECTAMENTE ALINEADOS.

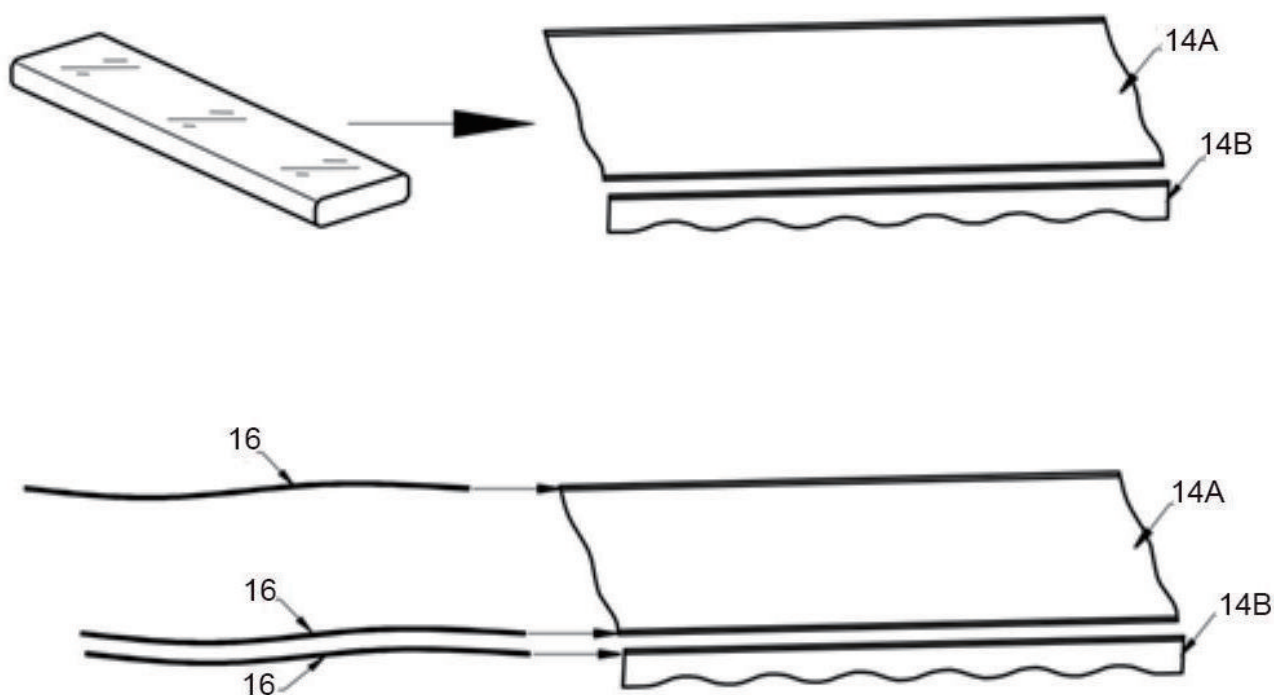
Paso 7: Soporte de rodillo izquierdo con conjunto de caja de cambios:

Martille el soporte del rodillo izquierdo con la caja de engranajes en el extremo izquierdo de la barra de torsión con un martillo de madera, luego apriete el perno hexagonal izquierdo en 5 mm. Como se muestra en la siguiente figura:



Paso 8: Montaje de la tela y la cenefa:

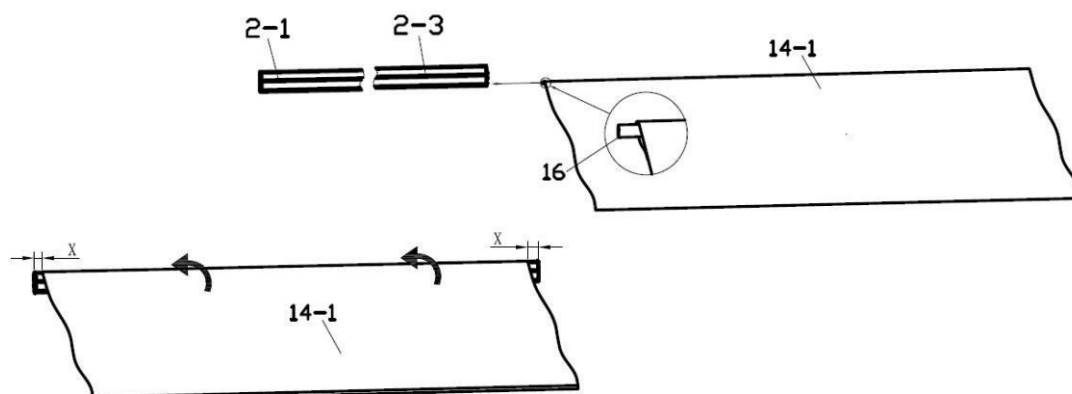
Abra la bolsa de tela, extienda la tela 14A y la cenefa 14B y use el alambre guía de tela para alinear la tela, como se muestra en la siguiente figura:



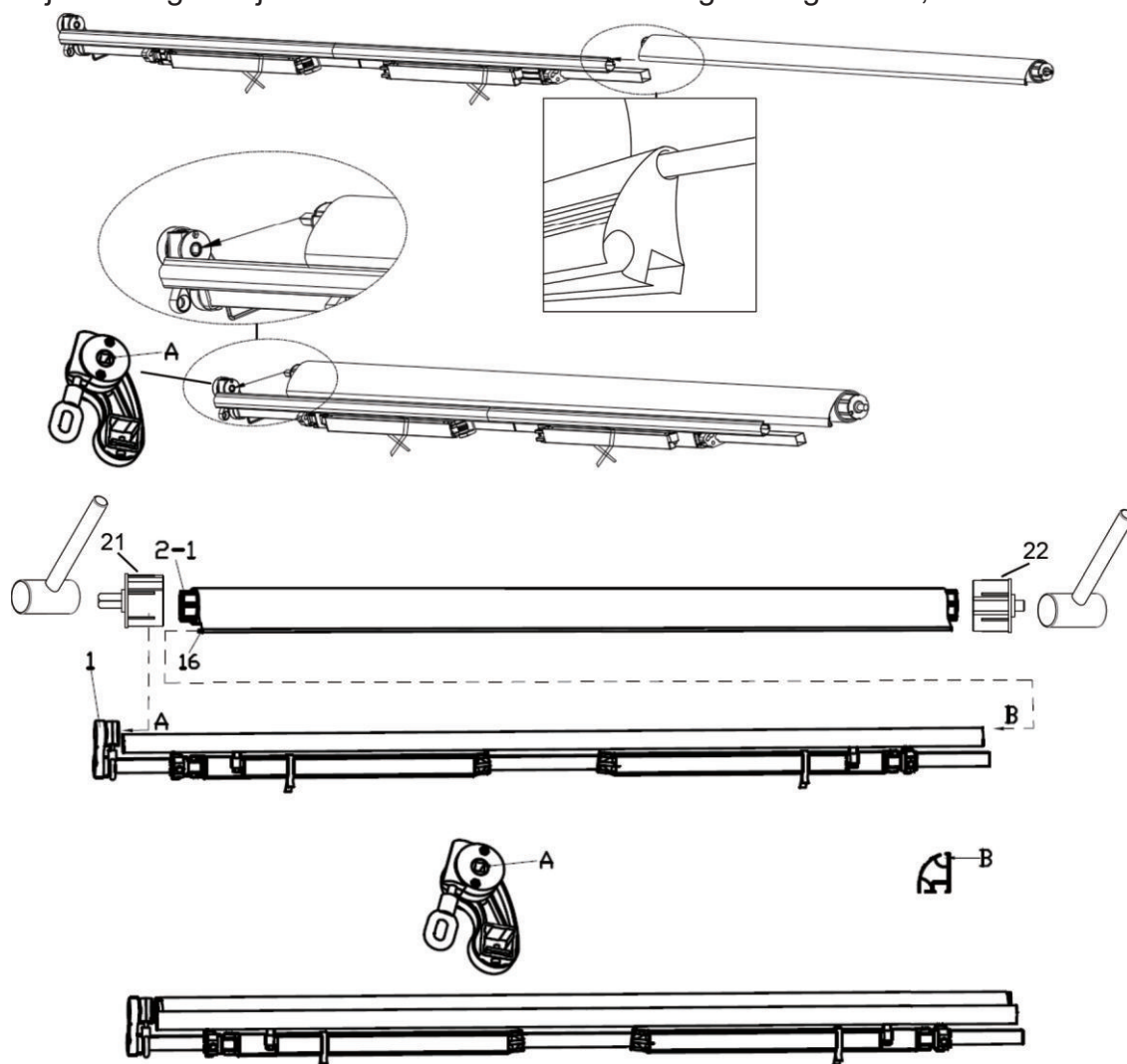
Paso 9: enrolle la tela en el rodillo

Enrolle la tela en el rodillo, preste atención a la dirección de la tela necesaria, como se muestra en la siguiente figura:

Por favor, coloque la tela hacia arriba al ensamblar. Mantenga el mismo espacio X en ambos extremos. Extienda la tela lentamente en caso de daños.

**Paso 10:**

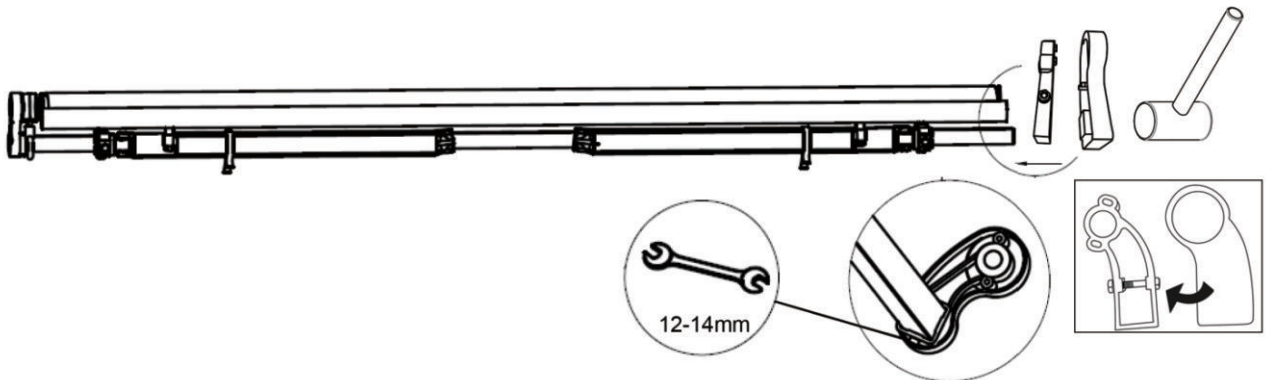
Un extremo de la tela a través de la ranura de la barra frontal, distribuya bien la tela después de tirar de toda la tela, luego inserte el eje del rodillo en el orificio cuadrado de la caja de engranajes. Como se muestra en la figura siguiente,



Si la parte de la barra frontal está un poco deformada, ajústela usted mismo con las herramientas.

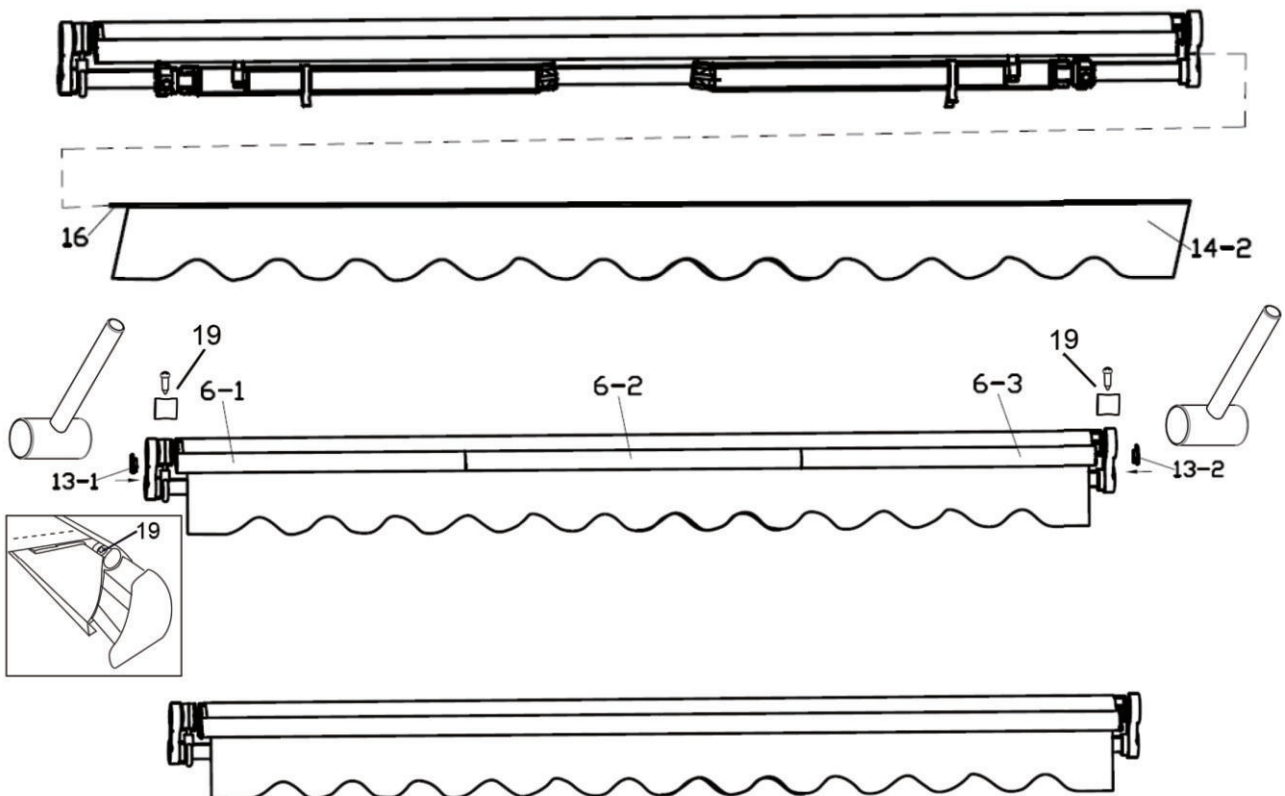
Paso 11: Conjunto de soporte de rodillo derecho:

Inserte el eje del rodillo en el tapón del tubo del rodillo, mientras tanto inserte la barra de torsión en los soportes del rodillo derecho golpeando. A continuación, apriete el perno hexagonal derecho con una llave hexagonal de 5 mm, como se muestra en la siguiente figura:



Paso 12: Montar para hacer un toldo completo.

Haga la cenefa a través de la ranura de la barra frontal, preste atención a la dirección y asegúrese de que los lados izquierdo y derecho en promedio, luego golpee la cubierta de la barra frontal en el extremo de la barra frontal. Como se muestra en la siguiente figura:



Si la parte de la barra frontal está un poco deformada, ajústela usted mismo con las herramientas.



Si encuentra que la tela se envuelve desigualmente o que los dos brazos no se abren al mismo tiempo, inspeccione la estabilidad de los 2 brazos. Solución: Ajuste la posición de la conexión de la barra del brazo en la barra frontal hacia afuera, según sea necesario.

Especificación

Nombre del producto	Tratamiento de materiales y superficies	Tipo de pared aplicable	Altura de instalación recomendada	Clima aplicable
T o l d o retráctil (Vea las detalles en el paquete)	Materiales: Tubo de acero, aleación de aluminio, piezas de plástico, tela de poliéster. Tratamiento: Tubos: Pintura en aerosol y antioxidación Superficie de tela: PU, UV, impermeable	Paredes de hormigón armado, paredes de ladrillo y paredes de madera	2,5m-4m 8'-13'	Los productos se pueden utilizar para proteger del sol. Es aplicable para cuando el viento está por debajo del nivel 5. No es apto para clima lluvioso.

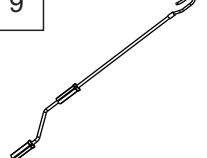
Montaje en pared

Notas sobre el montaje en pared

Este toldo puede ser fijado a paredes de hormigón armado, de ladrillo y de madera. Sin embargo, este conjunto de toldo solo proporciona los tornillos adecuados para el montaje en paredes de ladrillo y de hormigón armado.

Si usted quiere fijar su toldo a la madera, utilice un tornillo para madera de la longitud y el diámetro adecuados para fijar el toldo a las vigas de madera. El tamaño del tornillo depende del tamaño de la madera; estos se pueden comprar en una ferretería. Recomendamos que pida a un profesional para realizar la instalación más segura y protegida.

¡Nunca intente fijar las ménsulas de pared a las piedras sueltas de la pared o cualquier superficie que no sea firme y estable absolutamente!

10  Ménsula de pared 2 Piezas	11  Tornillo hexagonal 2 Piezas	23  Tornillo de madera 4 Piezas	12  Perno de expansión 4 Piezas	9  Manivela 1 Pieza
---	---	---	--	---

⚠ PRECAUCIÓN

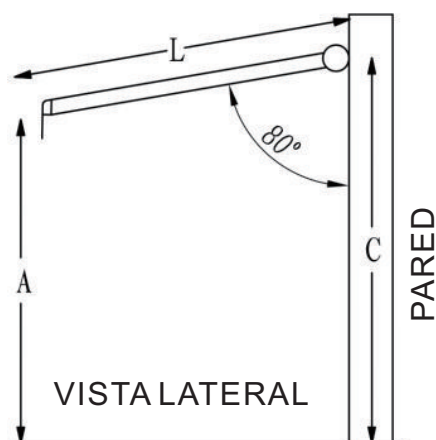
La ubicación adecuada de las ménsulas es lo más importante para la instalación del toldo. Es crítico que fije todos las ménsulas de montaje a montantes, vigas, cabezales u otros componentes estructurales importantes.

⚠ ADVERTENCIA

Si no sujete firmemente todos las ménsulas a la pared, lo podría causar el colapso del toldo y provocar lesiones personales o la muerte.

Altura de montaje

Es muy importante tener en cuenta el área de caída del toldo antes de atornillar las ménsulas de pared. Si usted quiere montarlas sobre una puerta de patio, deje al menos 8" (20.5cm) por encima del marco de la puerta y asegúrese de que el toldo no interfiera con la apertura y el cierre de la puerta. El ángulo de caída solo puede ser cambiado mínimamente, así que tenga esto en cuenta cuando elige el lugar para colocar su toldo.



Recomendamos que la superficie del toldo forme un ángulo de 80° aproximadamente con la pared cuando el toldo esté abierto.

Altura de instalación recomendada: 8-13' (2.5-4m).

El ángulo de caída ideal (cuando está extendido de manera completa) ya se ha establecido en la fábrica, por lo que es posible que no tenga que cambiar el pendiente / ángulo.

CALCULOS:

Puede utilizar la siguiente fórmula para calcular el ángulo apropiado.

$$C = A + 0,17 * L$$

A = La altura ideal de la barra frontal

L = La longitud del brazo extendido

C = La altura de las ménsulas de pared

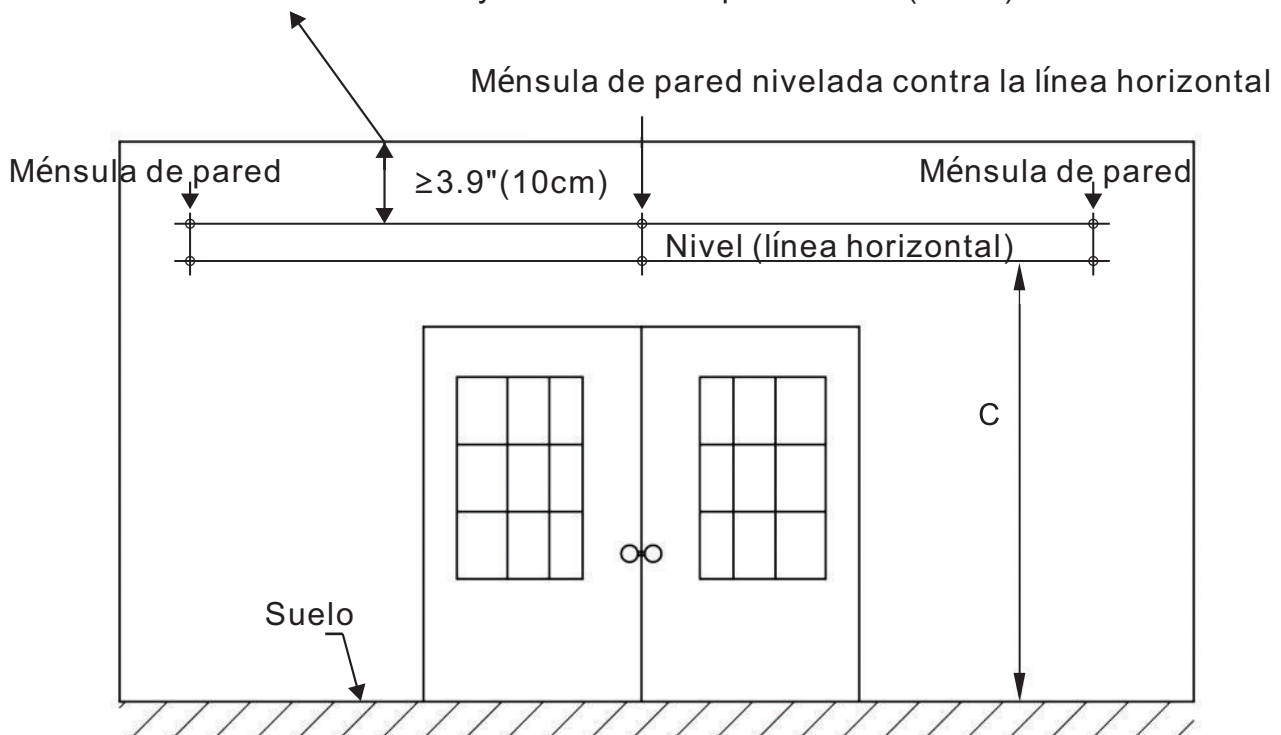
PASO 1

Medir el sitio de montaje

1. Mida la longitud de su toldo a lo largo de la pared donde usted quiere instalarlo. Esta línea será el punto más alto de su toldo y se alineará con la parte superior de la ménsula de pared. Utilice un nivelador para pintar una línea de tiza a lo largo de la distancia.
2. Importante: Asegúrese de que la línea esté nivelada en toda su extensión.
3. Asegúrese de que la línea esté centrada sobre la puerta del patio, ventana u otro sitio similar, si corresponde.
4. Ahora usted tiene una línea recta centrada. Mida el punto medio y márkelo. Aquí es donde se instalará la ménsula de pared intermedio.
5. Tome una ménsula de pared y colóquela en la parte superior, completamente nivelada, debajo de la línea, como lo que se muestra en el diagrama siguiente. Utilice una tiza o lápiz para marcar la posición de todas las ménsulas de pared y sus orificios para tornillos. Tenga en cuenta que la distancia entre cada ménsula de pared debe ser igual.

Toldo <10.8'(3.5m)	Se requieren solo 2 ménsulas de pared en total: Una para cada extremo de las barras de torsión.
Toldo = 10.8-14'(3.5-4m)	Se requieren 3 ménsulas de pared en total: una para cada extremo y otra en el centro.

La distancia entre los aleros y la ménsula de pared $\geq 3.9"$ (10cm)



PASO 2

Perforar los orificios de los tornillos

1. Ahora usted tiene una línea recta nivelada a lo largo de la pared con las ubicaciones marcadas de las ménsulas de pared y los orificios de los tornillos, ya puede perforar los orificios para montar las ménsulas.



2. Utilice una broca para mampostería de 0.55" (14mm) para perforar el primer orificio del tornillo, la profundidad de perforación debe ser aproximadamente 3.15" (8cm), como lo que se muestra en el diagrama. Debe perforarse a través de ladrillo macizo u hormigón para proporcionar el soporte necesario para el toldo.
3. Perfore los agujeros restantes exactamente como lo hace en el paso 2.



ADVERTENCIA

Todos los orificios de los tornillos deben estar alineados verticalmente y horizontalmente para garantizar que el toldo se cuelgue rectamente. Antes de perforar los orificios, verifique la alineación si usted no está seguro/a.



ADVERTENCIA

El diámetro y la profundidad de los orificios de montaje deben ser igual que los tamaños de los pernos de expansión.

PASO 3

Preparar para el montaje

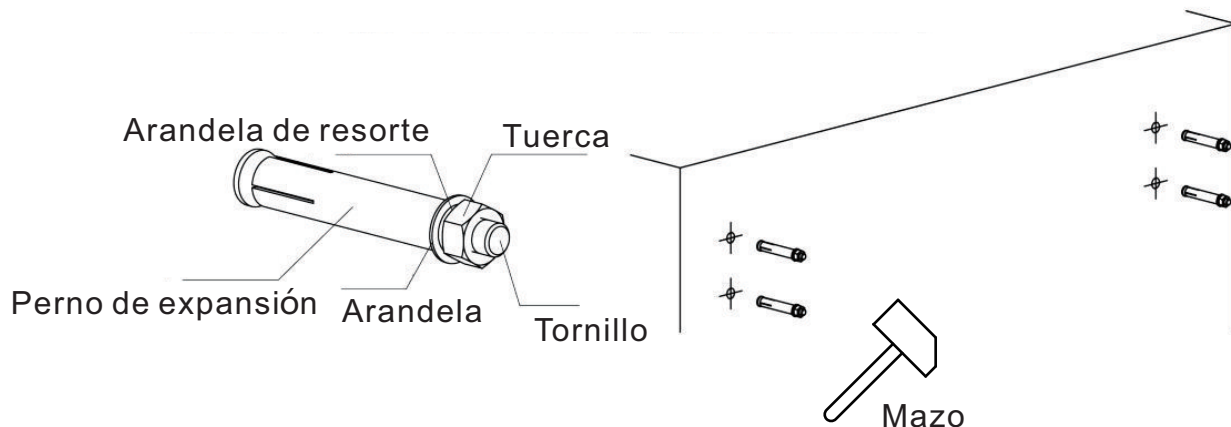
1. Ahora todos los orificios están perforados, entonces inserte los pernos de expansión.
2. Puede ser necesario insertar los pernos de expansión con un mazo de madera (u otro no metálico).



Si se necesita un mazo para realizar la instalación, para evitar dañar las roscas del tornillo, recomendamos colocar la tuerca en el tornillo (no apretada) antes de martillar.

3. Asegúrese de que los pernos estén fijados en su lugar, pero déjelos sobresalir de la pared aproximadamente 1 pulgada o menos, lo suficiente para que la ménsula de pared se pueda instalar sobre ellos.

Apriete todos los tornillos con una llave hexagonal de 0.75" (19mm) firmemente. Es mejor utilizar la llave hexagonal con un extremo cerrado en lugar de la llave con un extremo abierto para evitar dañar la tuerca, de lo contrario, se puede resbalar.



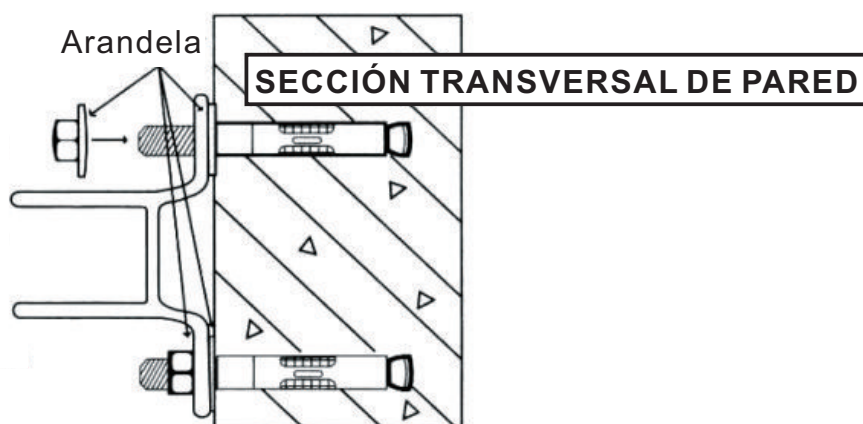
PASO 4

Montaje de las ménsulas de pared

1. Ahora que los tornillos están instalados seguramente en la pared, retire las tuercas que están sueltas sobre los tornillos.

2. Coloque una ménsula de pared sobre un juego de tornillos. Esto debería ser proceso fácil si los orificios de los tornillos están alineados de manera correcta.

3. Una vez que la ménsula de pared esté apoyada sobre los tornillos, coloque una arandela sobre el tornillo. Entonces utilice una tuerca para fijarlo, como lo que se muestra en el diagrama.



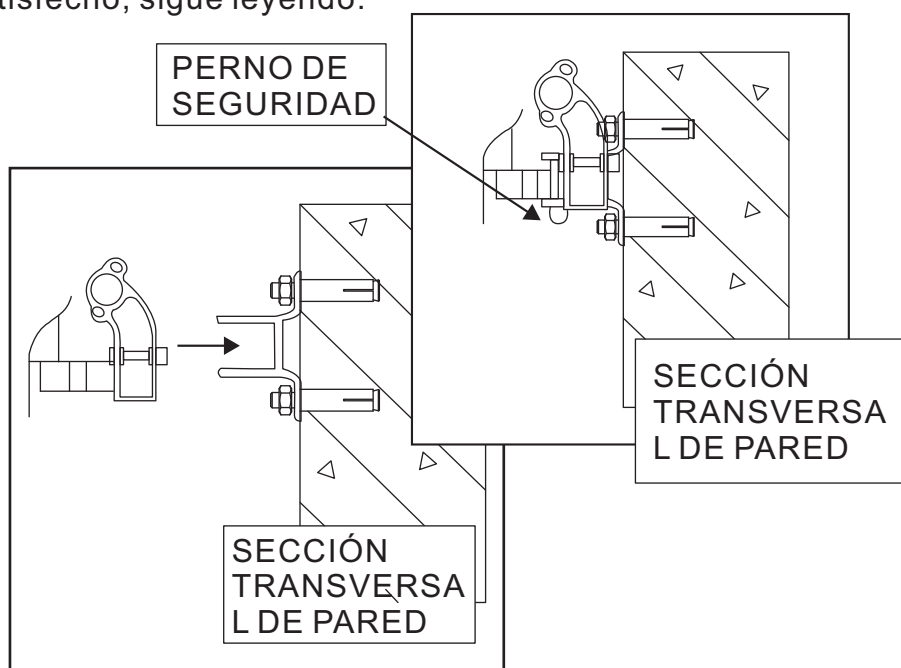
4. Las ménsulas DEBEN asentarse en la pared firmemente. Si todavía se pueden mover, debe apretarlas más.

5. Repita este paso para cada una de las ménsulas de pared. Una vez que haga esto, todas las ménsulas de pared se instalarán en su lugar seguramente.

PASO 5

Montaje del toldo

1. Ahora que las ménsulas de pared están fijadas en su lugar, ya se puede instalar el toldo sobre las ménsulas de pared.
2. Se necesitan al menos dos escaleras o sillas estables para instalar el toldo.
3. Coloque las barras de torsión sobre las ménsulas de pared y apriételas con los tornillos hexagonales.
4. Apriete todos los pernos de expansión finalmente.
5. Utilice la manivela o un motor (si corresponde) para extender su toldo completamente. La barra frontal debe estar nivelada.
6. ¡Felicitaciones! Su toldo está listo para el uso. Si usted está satisfecho con la altura de la barra frontal (pendiente del toldo). ¡Siéntese bajo del toldo y disfrute! Si no está satisfecho, sigue leyendo.



Instalación opcional

Ajuste del toldo

Cada toldo viene con un pendiente / ángulo pre-establecido que se considera ideal. Sin embargo, si usted desea hacer un ajuste, puede hacerlo a través de unos sencillos pasos.

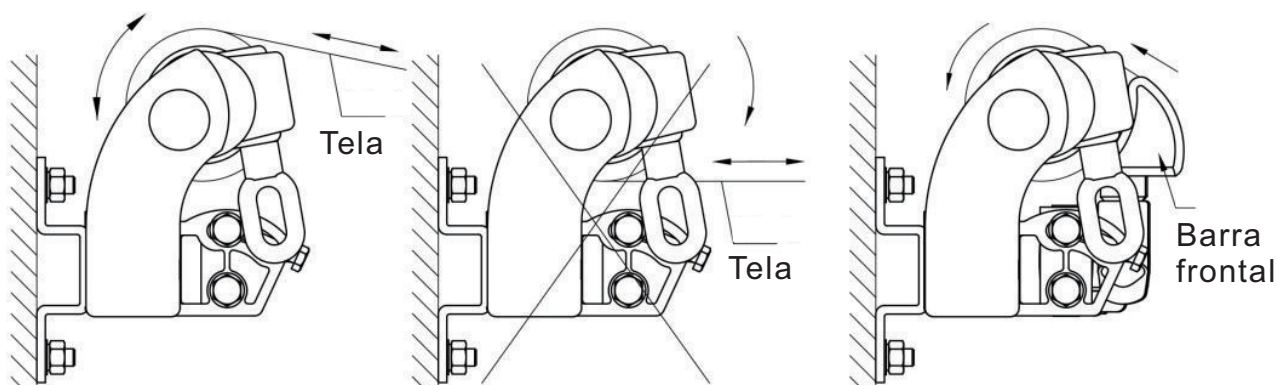


**ADVERTENCIA**

La elevación de la barra frontal reducirá el pendiente / ángulo de la tela, aumentando así el riesgo de que el agua de lluvia se acumule en la tela. Para evitar que el toldo se derrumbe debido al peso del agua de lluvia, debe retraer el toldo cuando esté desatendido, de lo contrario, se podría causar daños al toldo o lesiones personales.

Nota: Asegúrese de que la barra frontal esté ajustada para que sea uniforme completamente. Cualquier desalineación causará una retracción inadecuada e incorrecta.

Errores comunes



Operación correcta

Operación incorrecta

**ADVERTENCIA**

Cuando la barra frontal toque el rodillo como lo que se muestra en la imagen, no intente acercarlos, de lo contrario, el toldo podría ser dañado.

Vielen Dank für den Kauf unserer einziehbaren Markise! Wir hoffen, dass Sie noch viele Jahre Freude an unserem Produkt haben werden.

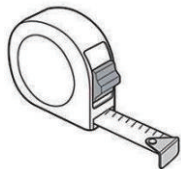
Um Ihre persönliche Sicherheit während der Installation zu gewährleisten und das Beste aus Ihrer Investition herauszuholen, lesen Sie bitte dieses gesamte Handbuch, bevor Sie mit der Installation beginnen.

Wir empfehlen die Montage dieser Markise durch zwei Personen. Wenn Sie der Meinung sind, dass dieser Vorgang zu schwierig ist, um ihn allein durchzuführen, raten wir Ihnen, sich von einem örtlichen Bau- oder Heimwerkerunternehmen helfen zu lassen.

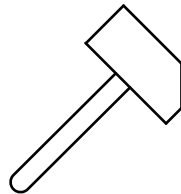
Wenden Sie sich bitte an unsere Kundensupport-Hotline, wenn Sie Probleme bei der Montage haben oder Hilfe benötigen, fehlende oder defekte Teile haben oder andere Fragen haben, werden wir unser Bestes tun, um Ihnen bei der Lösung Ihrer Probleme zu helfen.

Wenn Sie möchten, können wir Ihnen auch das Montagevideo anbieten.

Bitte bereiten Sie die unten aufgeführten Werkzeuge vor der Montage vor. (Nicht inbegriffen)



Maßband



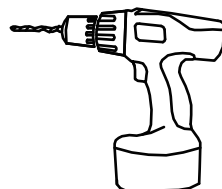
Nichtmetallischer Hammer



Schraubenschlüssel
(Schraubenschlüssel
von M17 und M14)



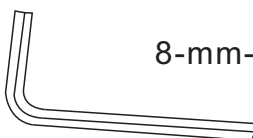
Kreuz-Schraubendreher



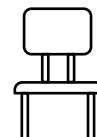
Bohrmaschine mit
14-mm-Bohrer



Richtmaschine mit
Kreidelinie



8-mm-Schlüssel






Zwei Leitern oder sehr stabile Stühle

MONTAGEANLEITUNG

WARNUNG

Unsachgemäßer Einbau und Betrieb Ihrer Markise kann zu schweren Personenschäden sowie zu Produktfehlern führen, die nicht von der Garantie abgedeckt sind. Bitte befolgen Sie alle Anweisungen sorgfältig oder wenden Sie sich an den technischen Support, um Hilfe zu erhalten.

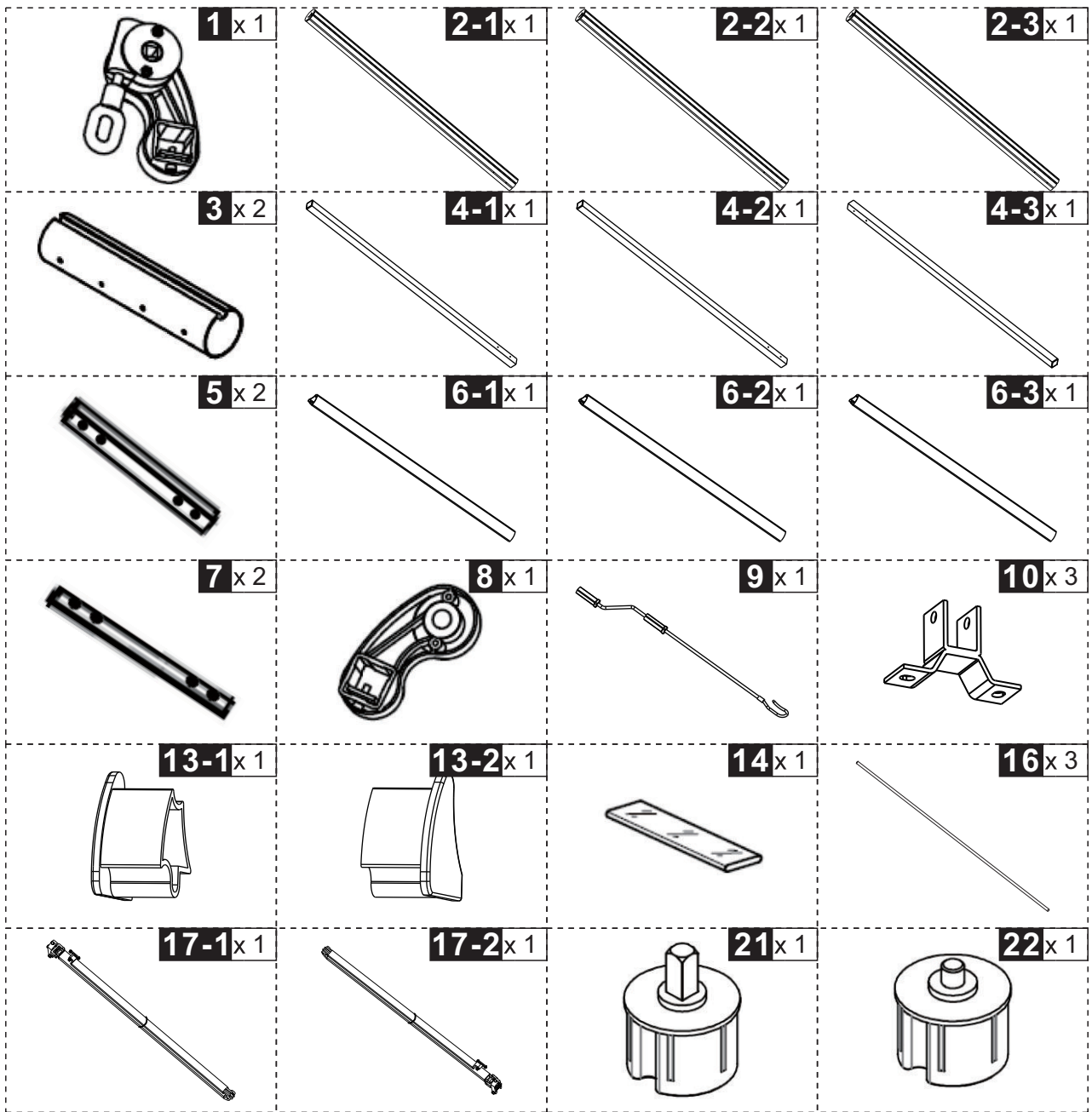
Bevor Sie fortfahren, lesen Sie bitte die folgenden Sicherheitshinweise:

	<p>Entfernen Sie NICHT die Sicherheitshülle, mit der die Markisenarme gesichert sind, bis Sie dazu aufgefordert werden. Die Markisenarme werden aufspringen und können bei unsachgemäßer Handhabung schwere Verletzungen verursachen. Stehen Sie NICHT mit dem Gesicht zur Vorderseite der Markise, wenn Sie die Bänder zwischen den Markisenarmen abschneiden. Halten Sie sich fest und strecken Sie die Arme langsam, bis sie vollständig geöffnet sind.</p>
	<p>Die richtige Positionierung und Befestigung der Wandhalterungen ist entscheidend. Bitte befolgen Sie die Anweisungen im Handbuch. Wenn nicht alle Halterungen sicher befestigt werden, kann die Markise zusammenfallen und zu Verletzungen oder zum Tod führen.</p>
	<p>Halten Sie Kinder vom Montagebereich fern.</p>

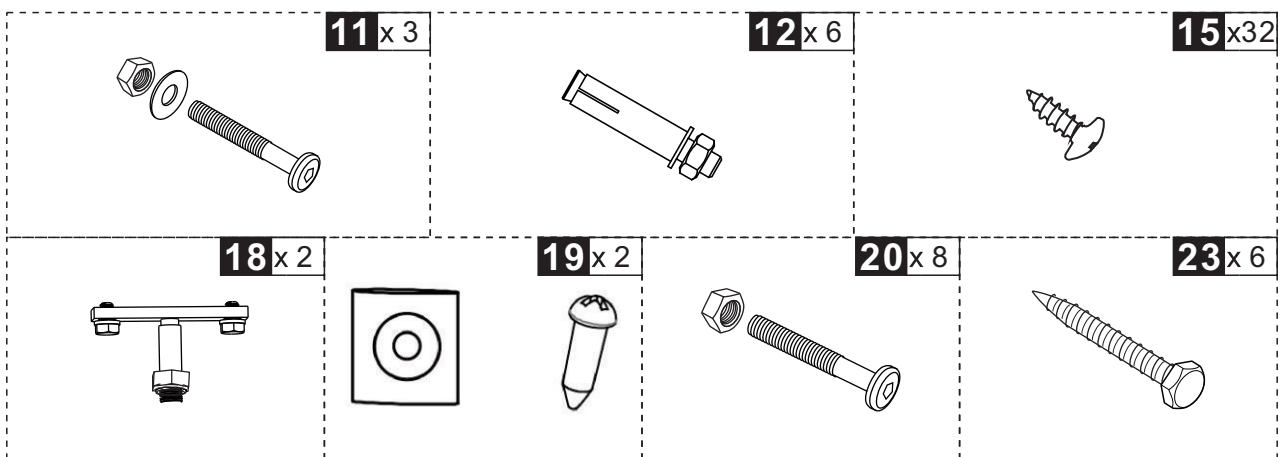
Sichere Installation und Betrieb

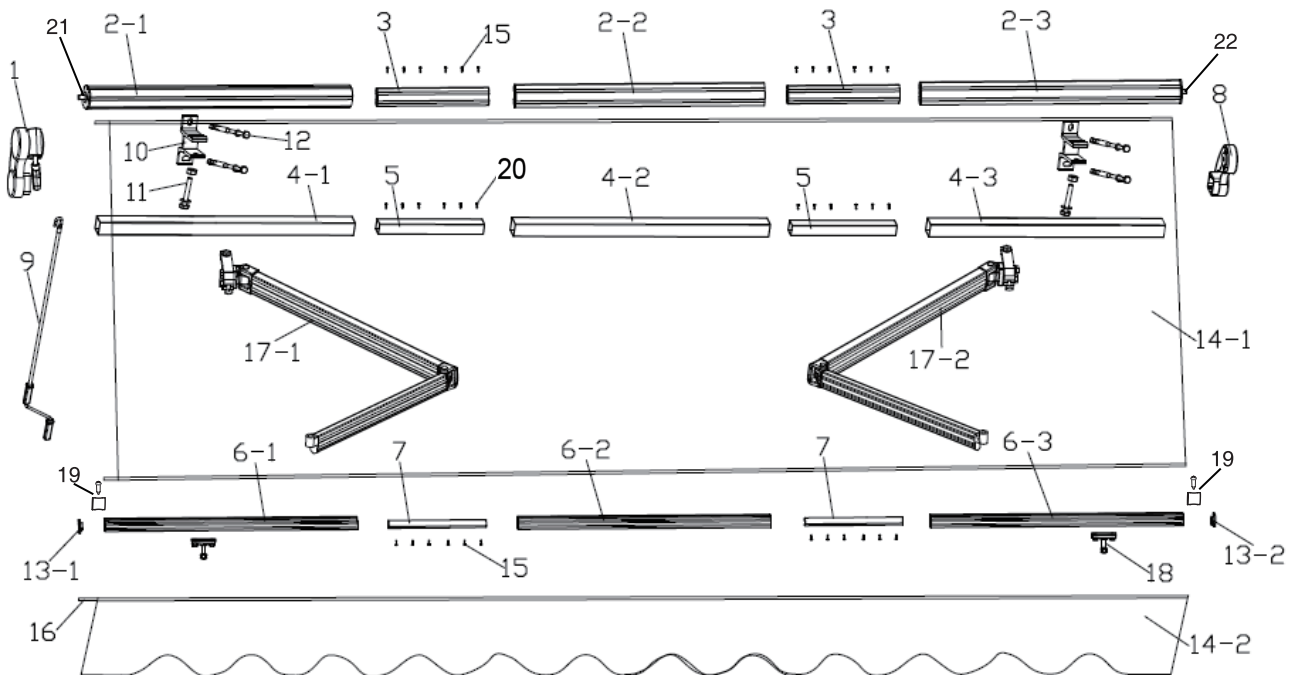
1. Installieren Sie ihn niemals an hohen und windigen Orten, da der Sonnenschirm herunterfallen und jemanden verletzen könnte.
2. Verwenden Sie ihn nicht an Orten, an denen Vibrationen oder Stöße auftreten.
3. Verwenden Sie ihn nicht an Orten mit hohen Temperaturen, z.B. an Wänden in der Nähe von Öfen.
4. Stellen Sie keine schweren Gegenstände auf das Gestell, da es herunterfallen und Schäden verursachen könnte.
5. Bitte schließen Sie die Markise bei Sturm, z.B. bei übermäßigem Wind und Regen.
6. Benutzen Sie das Vorzelt niemals für andere Zwecke als vorgeschlagen.
7. Seien Sie bei der Montage vorsichtig mit Ihren Fingern.
8. Zum Bewegen und Installieren des Sonnenschutzes sind zwei Erwachsene erforderlich, da das Produkt groß und schwer ist.
9. Bitte verwenden Sie bei der Installation alle Schrauben und Muttern korrekt, da es sehr gefährlich ist, den Schirm lose zu lassen.

TEILE



HARDWARE





Vorbereiten Ihres Arbeitsplatzes

1. Bevor Sie beginnen, ist es am besten, alle notwendigen Werkzeuge auszulegen, um die Einrichtung reibungsloser zu gestalten. Die Liste der erforderlichen Werkzeuge finden Sie im Abschnitt über die erforderlichen Werkzeuge.



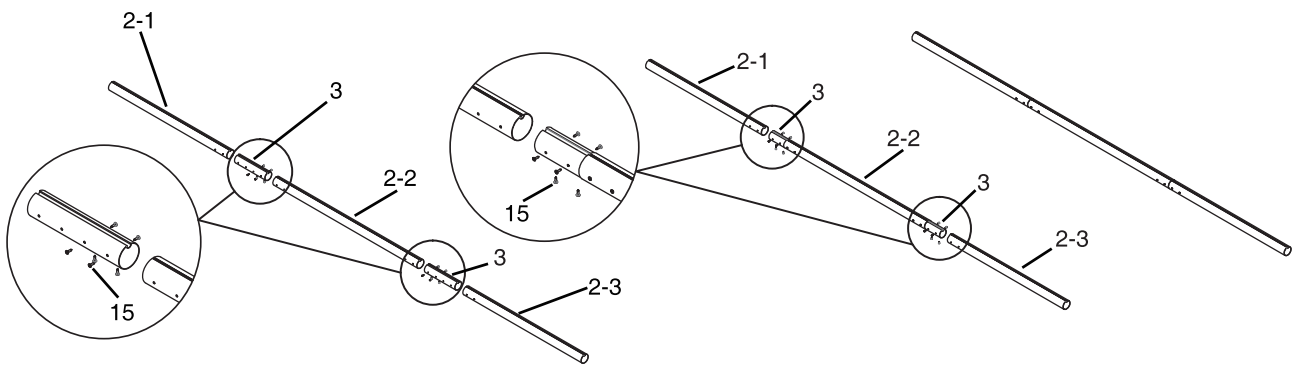
WARNUNG

Entfernen Sie NICHT die Sicherheitshülle, die die Markisenarme nach unten hält. Das zu frühe Entfernen der Schutzhülle kann zu schweren Verletzungen führen.

2. Öffnen Sie den Markisenkasten und wickeln Sie jedes Stück vorsichtig aus, um das Produkt nicht zu beschädigen.
3. Legen Sie jedes Teil der Markise aus, um sicherzustellen, dass alle Teile vorhanden sind. Detaillierte Informationen zu den Teilen finden Sie in der Teileübersicht.
4. Öffnen Sie den kleinen, inneren Karton, der die Kleinteile enthält, und legen Sie diese ebenfalls aus.

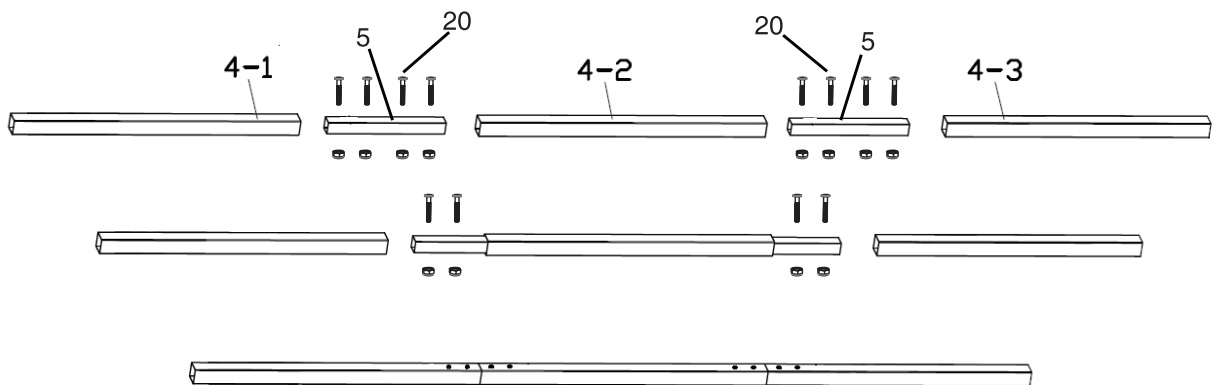
Schritt 1: Rollenmontage

Halten Sie die Walzen ausgerichtet, montieren Sie die Walze mit den Verbindern und befestigen Sie sie mit den entsprechenden Schrauben wie in der folgenden Abbildung dargestellt:

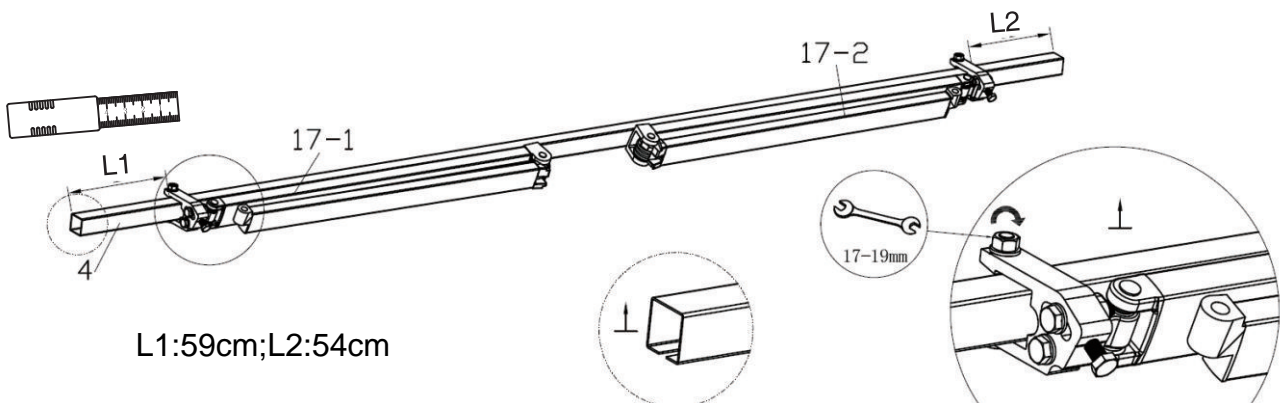


Schritt 2: Torsionsstab und Armbaugruppe:

Halten Sie die vier Flächen fluchtend, verbinden Sie den Torsionsstab mit den Verbindern und befestigen Sie ihn mit den entsprechenden Schrauben wie in der folgenden Abbildung dargestellt:

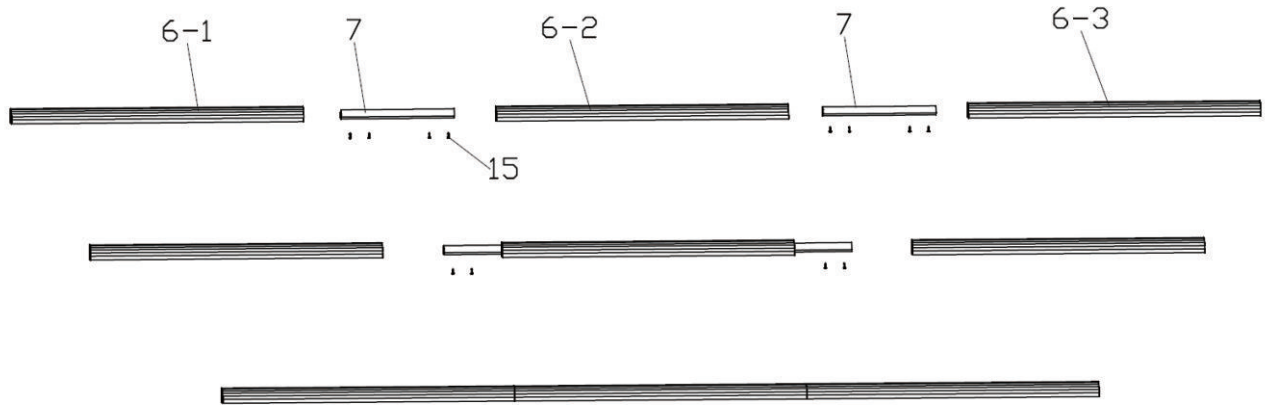


Dann montieren Sie den Arm wie in der Abbildung unten gezeigt an den Torsionsstab. Zwei Arme müssen in die gleiche Richtung zeigen, das Armseil kann erst dann entriegelt werden, wenn der gesamte Zusammenbau abgeschlossen ist.



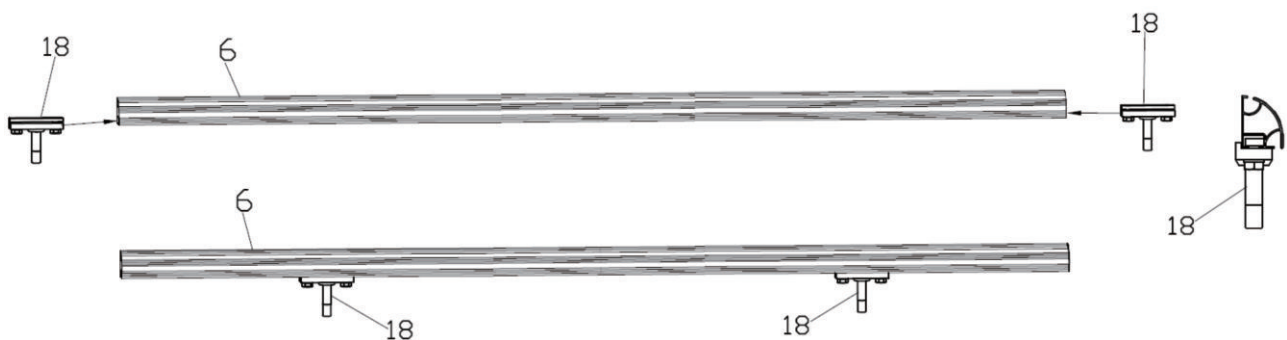
Schritt 3: Frontleistenmontage

Verbinden Sie die Frontleiste mit den Anschlüssen und befestigen Sie sie mit den entsprechenden Schrauben wie in der folgenden Abbildung dargestellt:
(Bitte halten Sie die Frontleiste ausgerichtet).



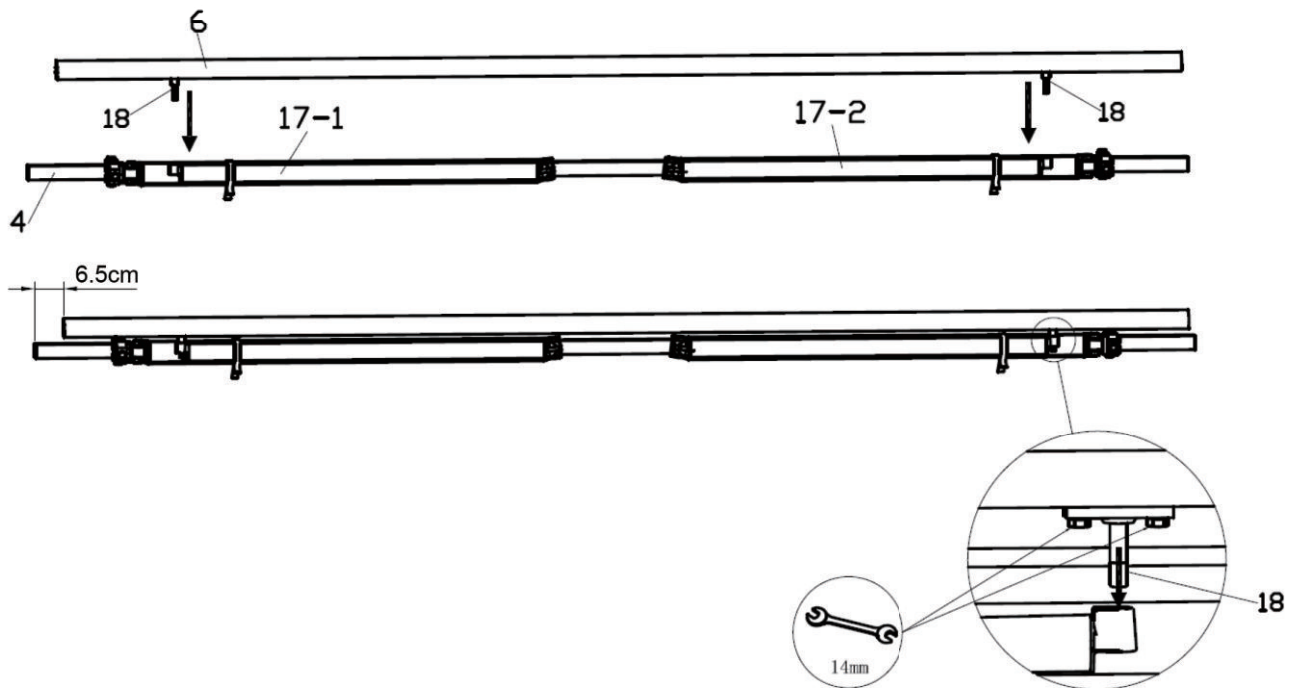
Schritt 4: Handgelenkstütze des Vorderbügels:

Schieben Sie die Füße der vorderen Stange ohne Festziehen in die vordere Stange. Wie in der Abbildung unten gezeigt:



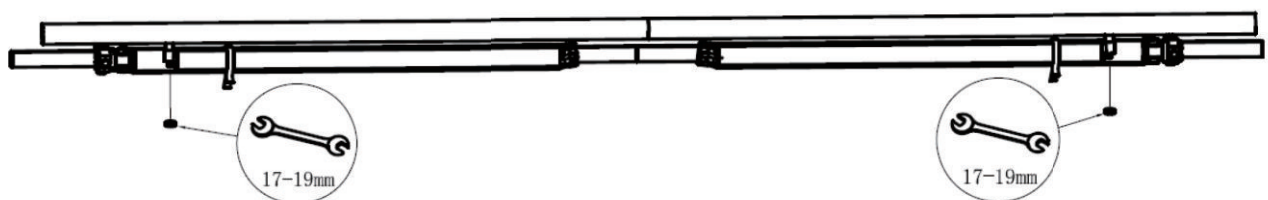
Schritt 5: Arme mit Frontstangenanordnung:

Setzen Sie die vorderen Füße der Stange durch das Loch des kleinen Arms und positionieren Sie dann die vordere Stange. Nach dem Positionieren die Mutter mit einem Schraubenschlüssel anziehen, wie in der folgenden Abbildung dargestellt:



Schritt 6: Verbinden Sie die selbstsichernde Mutter

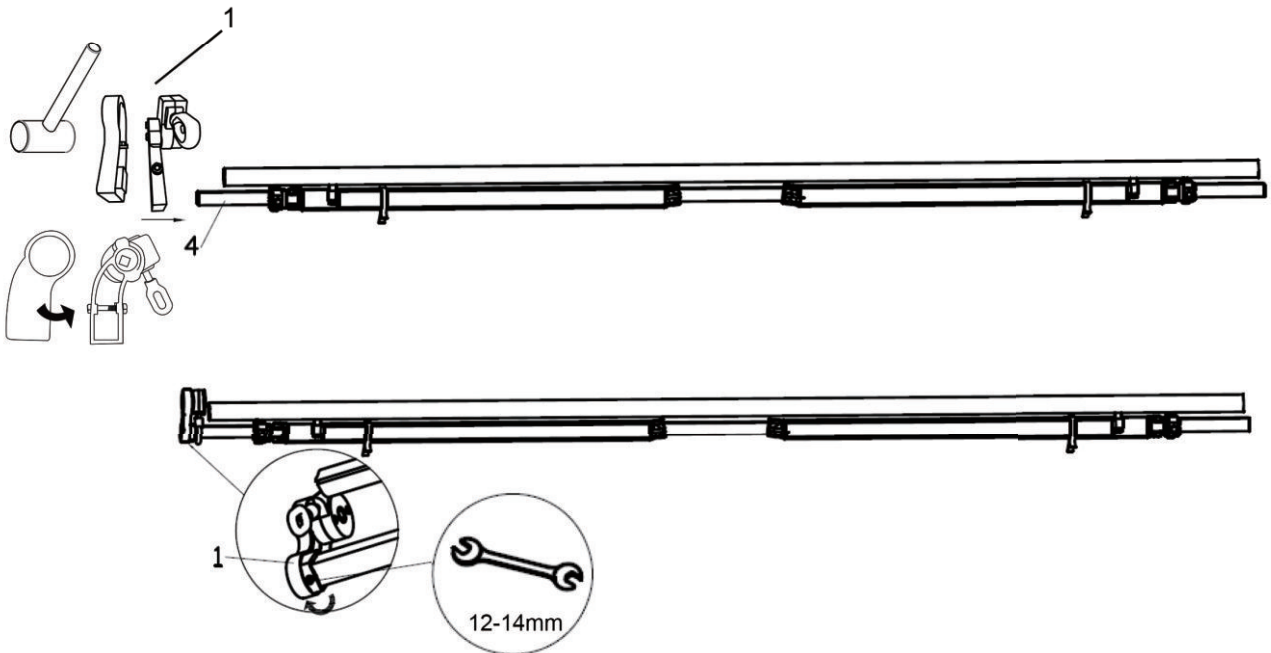
Verbinden Sie die selbstsichernde Mutter mit der Schraube, die an der Unterseite der Schraube in den Füßen der Vorderstange mit einem Schraubenschlüssel befestigt ist, wenn das Gewinde 1 ~ 2 Runden gedreht wurde. Wie in der folgenden Abbildung gezeigt:



ACHTUNG: BEVOR SIE DIE MUTTER BLOCKIEREN, SORGEN SIE FÜR EINE ORDNUNGSGEMÄSSE AUSRICHTUNG DER WAFFEN.

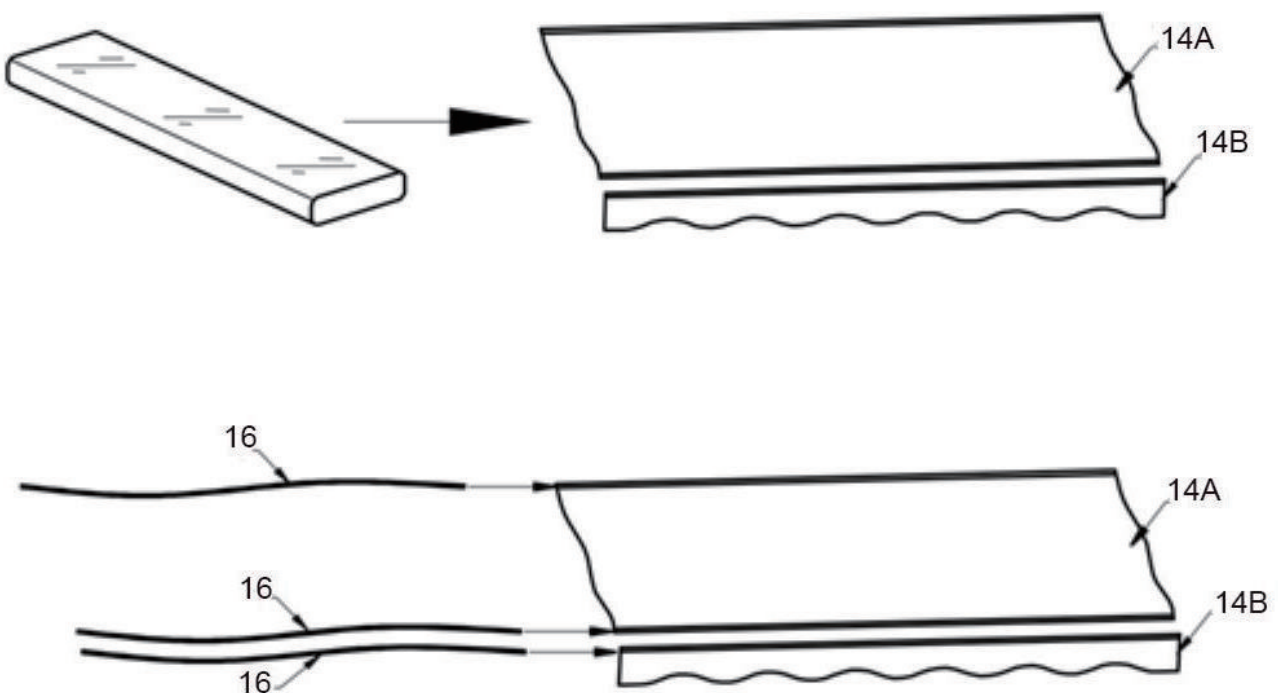
Schritt 7: Linke Rollenstütze mit Getriebebaugruppe:

Die linke Rollenstütze mit dem Getriebegehäuse mit einem Holzhammer in das linke Ende der Torsionsstange einschlagen und dann die linke Sechskantschraube mit einem 5-mm-Sechskantschlüssel festziehen. Wie in der folgenden Abbildung gezeigt:



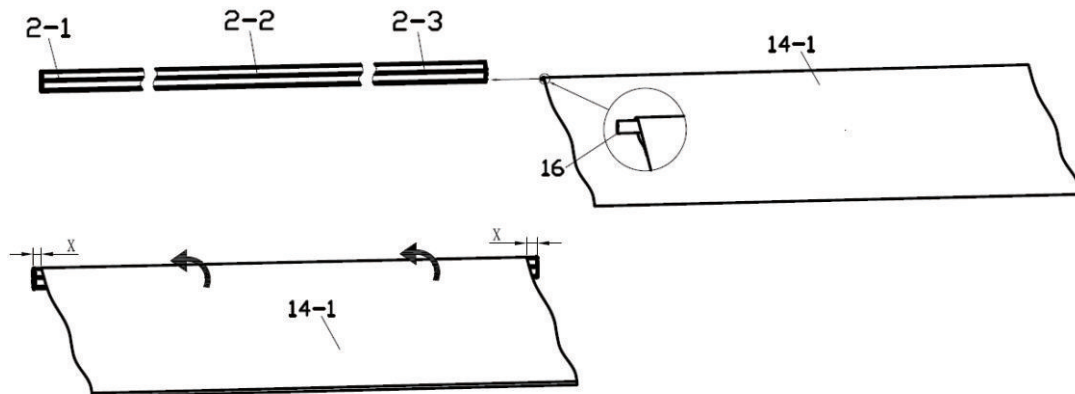
Schritt 8: Stoff- und Volantmontage:

Öffnen Sie den Stoffbeutel. Verteilen Sie sowohl den Stoff 14A als auch den Volant 14B und führen Sie den Stoffführungsdraht durch den Stoff. Wie in der folgenden Abbildung gezeigt:



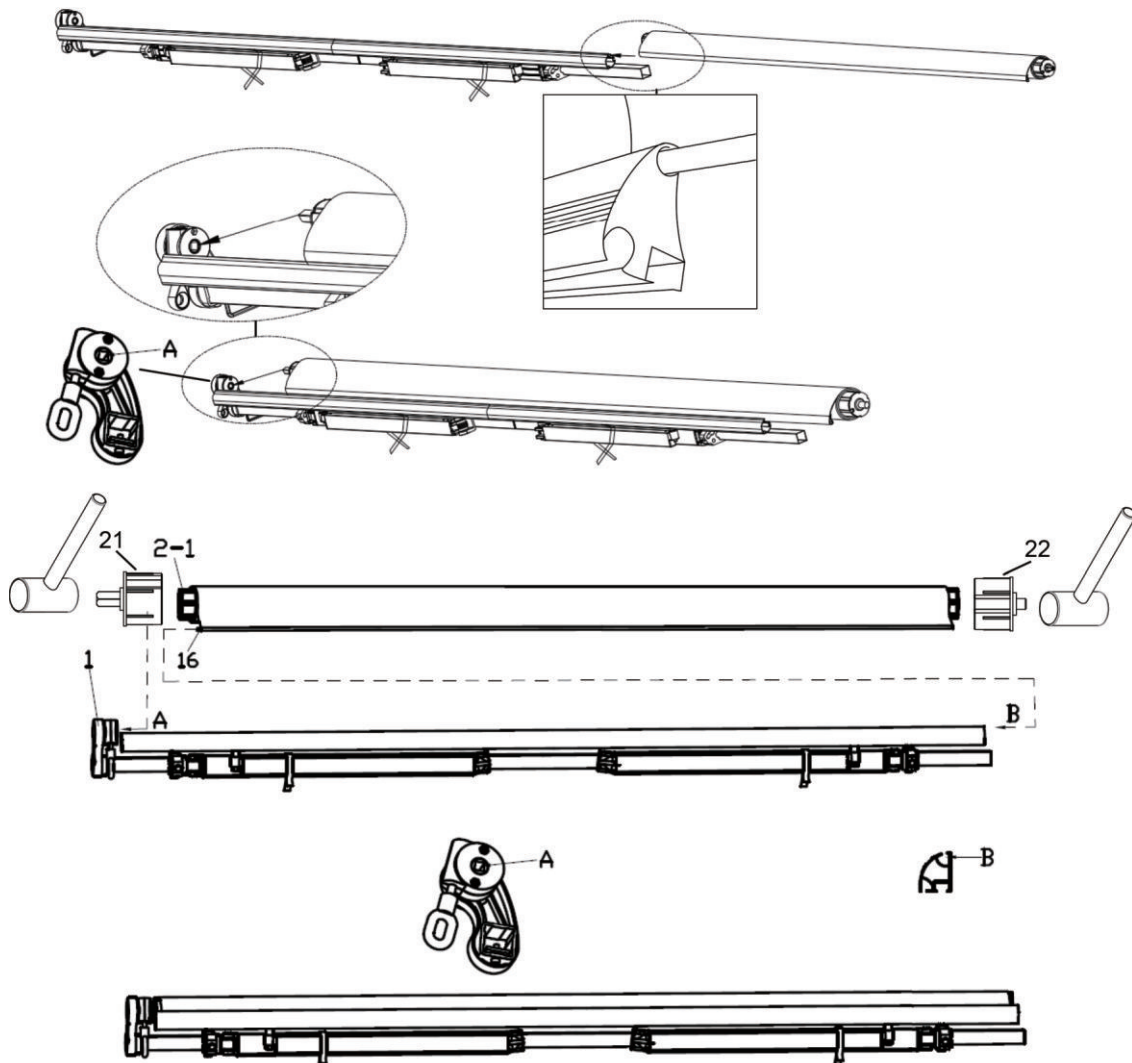
Schritt 9: Rollen Sie den Stoff auf der Walze ein

Rollen Sie den Stoff auf der Walze ein, achten Sie auf die benötigte Stoffrichtung, wie in der folgenden Abbildung gezeigt: Bitte stellen Sie den Stoff beim Zusammensetzen nach oben. Behalten Sie an beiden Enden den gleichen Abstand X bei. Verteilen Sie den Stoff im Schadensfall langsam.



Schritt 10:

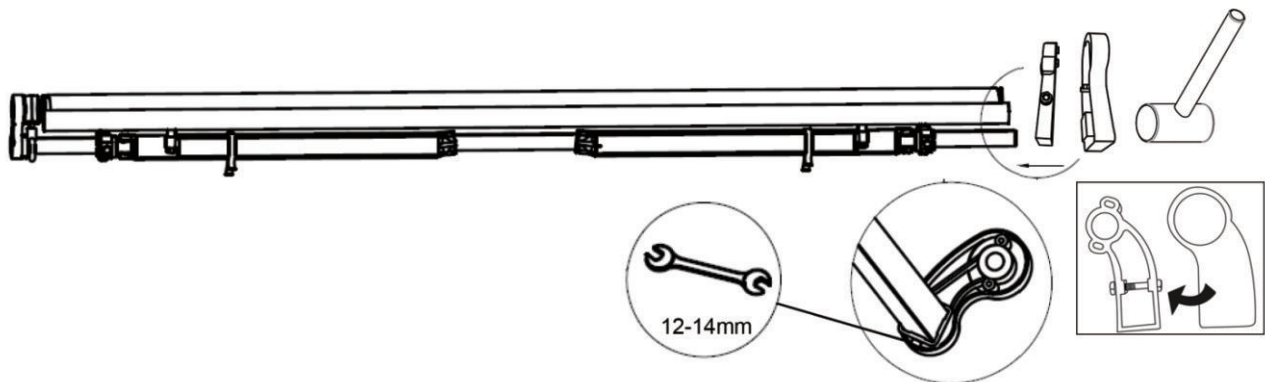
Ein Ende Stoff durch die Nut der vorderen Stange, verteilt das Gewebe nach dem Ziehen in alle Gewebe, dann Welle der Rolle in das quadratische Loch des Getriebegehäuses. Wie in der Abbildung unten gezeigt,



Wenn der Teil der vorderen Stange etwas verformt ist, stellen Sie ihn bitte selbst mit Werkzeug ein.

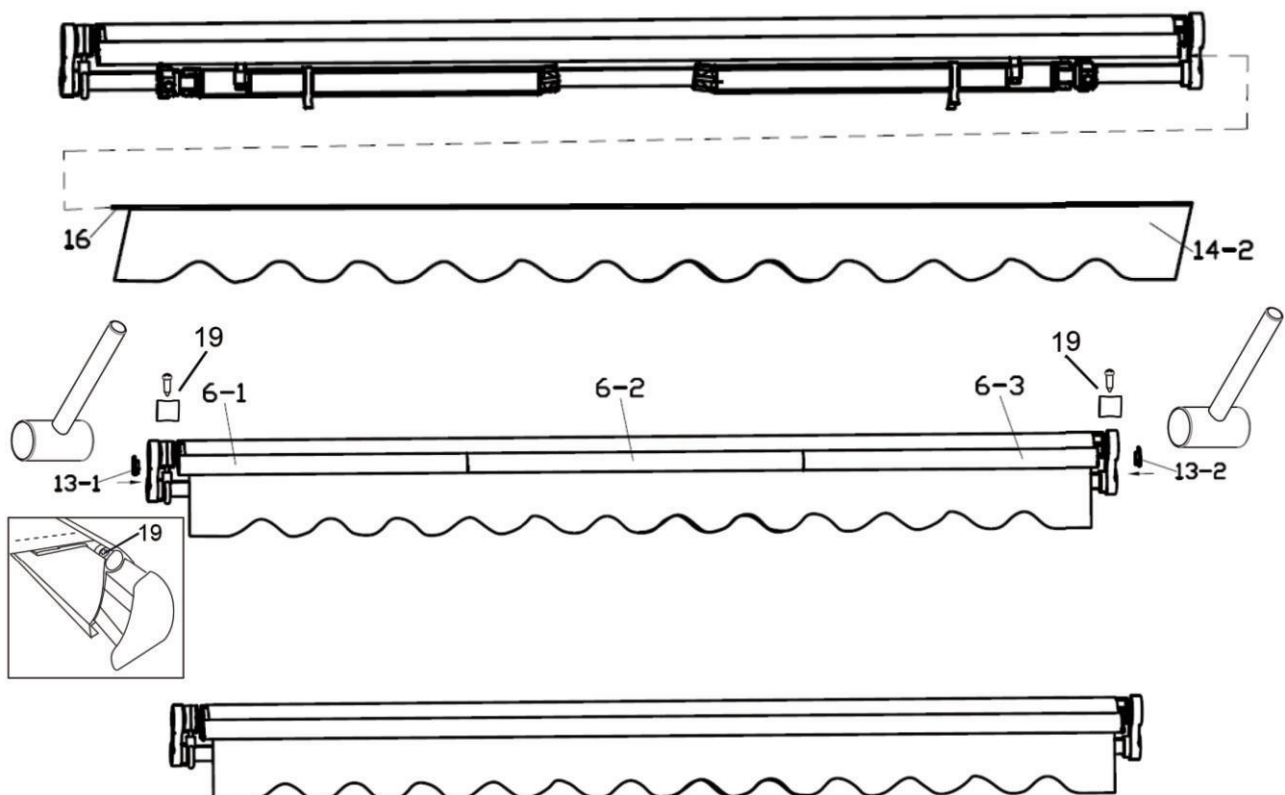
Schritt 11: Rechte Rollenhalterungsbaugruppe:

Die Welle der Rolle in den Rollrohrstopfen einführen, währenddessen die Torsionsstange mit dem Schlag in die rechten Rollstützen eingeführt werden. Ziehen Sie dann die rechte Sechskantschraube mit einem 5mm Sechskantschlüssel fest. Wie in der folgenden Abbildung gezeigt:



Schritt 12: Montieren, um eine ganze Markise zu machen

Den Volant durch die Nut der vorderen Stange ziehen, achten Sie auf die Richtung und stellen Sie sicher, dass die linke und rechte Seite im Durchschnitt, dann die Abdeckung der vorderen Stange in das Ende der vorderen Stange schlagen. Wie in der folgenden Abbildung gezeigt:



Wenn der Teil der vorderen Stange etwas verformt ist, stellen Sie ihn bitte selbst mit Werkzeug ein.



Wenn Sie feststellen, dass sich das Textilmaterial ungleichmäßig wickelt oder dass sich die beiden Arme nicht gleichzeitig zusammen öffnen, schauen Sie sich die Stabilität der beiden Arme an. Lösung: Passen Sie die Position der Armstangenverbindung an der vorderen Stange nach Bedarf nach außen an.

Especificación

Produktname	Material und Oberflächenbehandlung	Anwendbarer Wandtyp	Empfohlene Installationshöhe	Geeignetes Wetter
Einziehbare Markise (Bitte beachten Sie die Einzelheiten auf dem Paket)	Materialien: Stahlrohr, Aluminiumlegierung, Kunststoffteile, Textilmaterial aus Polyester. Service-Behandlung: Rohre: Spritzlackierung und Oxidation Tuchoberfläche: PU, UV, wasserdicht	Stahlbetonwände, Ziegelwände und Holzwände	2,5m-4m 8'-13'	Die Produkte werden zum Schutz vor Sonneneinstrahlung eingesetzt. Anwendbar, wenn der Wind unter Stufe 5 liegt. Nicht für Regenwetter geeignet.

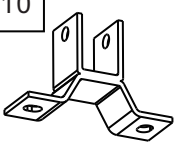
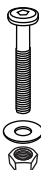
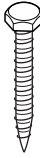
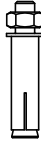
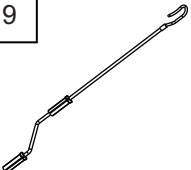
Wandmontage

Hinweise zur Wandmontage

Dieses Vorzelt kann an Stahlbeton-, Ziegel- und Holzwänden befestigt werden. Dieser Markisenbausatz enthält jedoch nur Schrauben, die für die Befestigung an Ziegel- und Stahlbetonwänden geeignet sind.

Wenn Sie Ihr Vorzelt an Holz befestigen möchten, verwenden Sie bitte eine Holzschraube von ausreichender Länge und angemessenem Durchmesser, um das Vorzelt an Holzbalken zu befestigen. Die Größe der Schrauben hängt von der Größe des Holzes ab; diese können in einem Geschäft für Vorrichtungen gekauft werden. Wir empfehlen einen professionellen Installateur für die sicherste und zuverlässigste Installation.

Versuchen Sie niemals, die Wandhalterungen an losen Wandsteinen oder nicht absolut festen Oberflächen zu befestigen!

10  Wandhalterung 3 Stck	11  Sechskantsschraube 3 Stck	23  Holzschraube 6 Stck.	12  Dehnschraube 6 Stck.	9  Handkurbel 1 Stck.
--	---	--	---	---

! VORSICHT

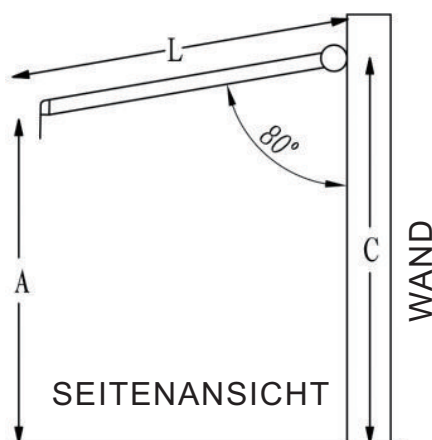
Die richtige Positionierung der Halterungen ist der wichtigste Aspekt bei der Installation der Markise. Es ist entscheidend, dass Sie alle Halterungen an Stützen, Balken, Kopfstücken oder anderen wichtigen strukturellen Komponenten befestigen.

! WARNUNG

Wenn nicht alle Halterungen sicher an der Wand befestigt werden, könnte die Markise einstürzen und zu Verletzungen oder zum Tod führen.

Montagehöhe

Es ist wichtig, den Fallbereich der Markise zu berücksichtigen, bevor Sie Ihre Wandhalterungen verschrauben. Wenn Sie die Markise z.B. über einer Terrassentür montieren möchten, lassen Sie bitte mindestens 8" (20.5cm) über dem Türrahmen stehen und achten Sie darauf, dass die Markise das Öffnen und Schließen der Tür nicht behindert. Der Fallwinkel kann nur minimal verändert werden. Berücksichtigen Sie dies also bei der Entscheidung, wo Sie Ihre Markise aufstellen möchten.



Wir empfehlen, dass die Markisenoberfläche im geöffneten Zustand einen Winkel von etwa 80 Grad zur Wand bildet.

Empfohlene Installationshöhe: 8-13' (2.5-4m).

Der ideale Fallwinkel (im voll ausgefahrenen Zustand) wurde bereits im Werk eingestellt, so dass Sie die Neigung/den Winkel möglicherweise nicht ändern müssen.

BERECHNUNGEN:

Zur Berechnung des geeigneten Winkels können Sie die folgende Formel verwenden.

$$C = A + 0,17 * L$$

A = Die gewünschte Höhe der vorderen Stange

L = Die Länge des ausgestreckten Arms

C = Die Höhe der Wandhalterungen

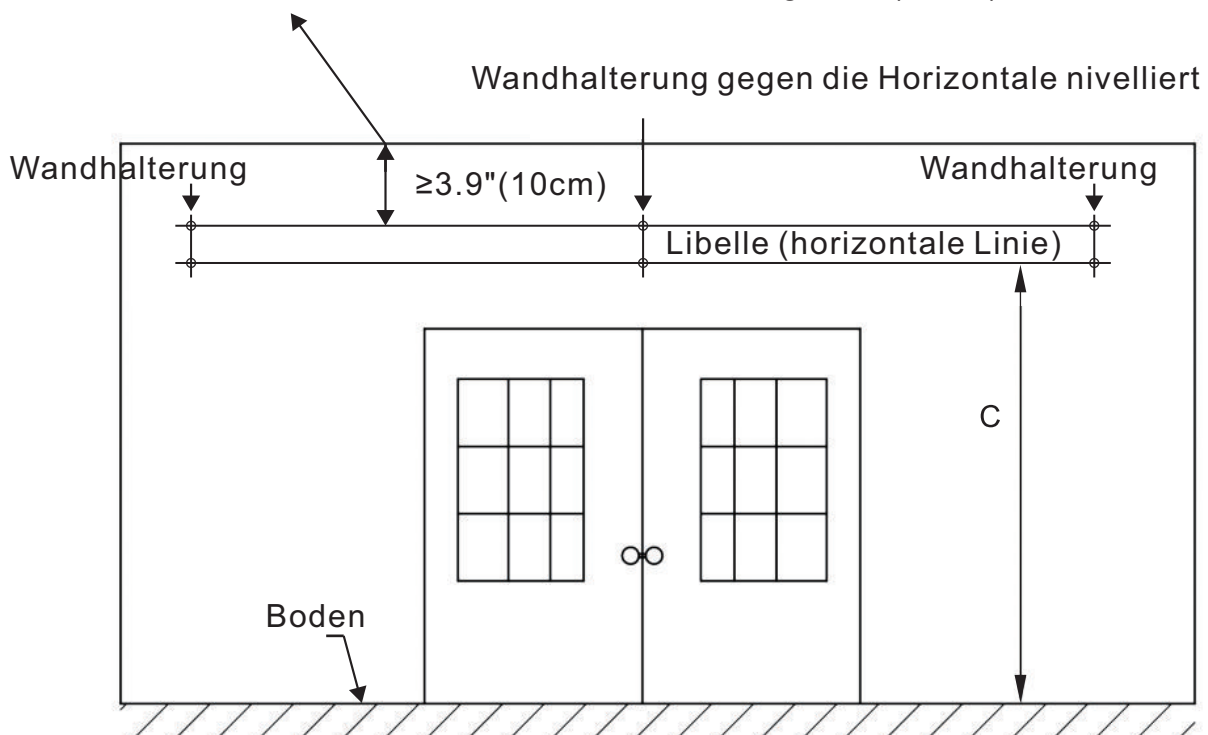
SCHRITT 1

Vermessung der Montagestelle

1. Messen Sie die Länge Ihres Vorzeltes entlang der Wand, an der Sie es aufstellen möchten. Diese Linie wird der höchste Punkt Ihrer Markise sein und mit der Oberseite der Wandhalterung ausgerichtet. Verwenden Sie einen Nivellierer, um eine Kreidelinie über die Distanz zu ziehen.
2. Wichtig: Vergewissern Sie sich, dass die Linie mittig über der Terrassentür, dem Fenster oder ggf. einem anderen Element verläuft.
3. Vergewissern Sie sich, dass die Linie mittig über der Terrassentür, dem Fenster oder ggf. über einem anderen Merkmal verläuft.
4. Nun, da Sie eine gerade, zentrierte Linie haben, messen Sie den Mittelpunkt und markieren Sie ihn. Hier wird die mittlere Wandhalterung installiert.
5. Nehmen Sie eine Wandhalterung und platzieren Sie die Oberseite der Halterung völlig waagrecht unter der Linie, wie in der Abbildung unten gezeigt. Markieren Sie mit Kreide oder einem Bleistift die Position aller Wandhalterungen und ihre Schraubenlöcher. Bitte beachten Sie, dass der Abstand zwischen den einzelnen Wandhalterungen gleich sein sollte.

Markise < 10.8'(3.5m)	Erfordert insgesamt nur 2 Wandhalterungen: eine für jedes Ende der Torsionsstäbe.
Markise = 10.8-14'(3.5-4m)	Erfordert insgesamt 3 Wandhalterungen: eine für jedes Ende und eine in der Mitte.

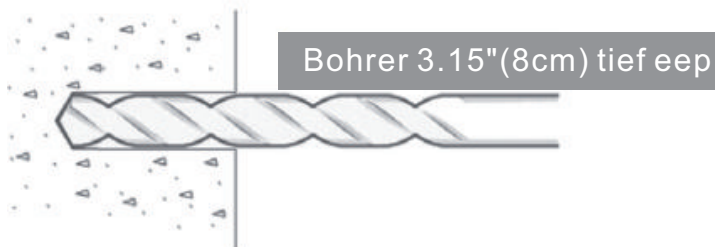
Der Abstand zwischen Traufe und Wandhalterung $\geq 3.9''(10\text{cm})$



SCHRITT 2

Bohren der Bolzenlöcher

1. Nun, da Sie eine gerade ebene Linie über die Wand haben, auf der die Positionen der Wandhalterungen und ihre Schraubenlöcher markiert sind, können Sie Löcher für die Befestigung der Halterungen bohren.



2. Bohren Sie mit einem 0.55"(14mm) Steinbohrer das erste Bolzenloch etwa 3.15"(8cm) tief, wie in der Abbildung dargestellt. Dieses muss durch massiven Ziegelstein oder Beton gebohrt werden, um die notwendige Unterstützung für die Markise zu bieten.
3. Bohren Sie die restlichen Löcher genau wie in Schritt 2.

WARNUNG

Alle Bolzenlöcher müssen vertikal und horizontal ausgerichtet sein, um sicherzustellen, dass die Markise gerade hängt. Überprüfen Sie die Ausrichtung vor dem Bohren noch einmal, wenn Sie sich nicht sicher sind.

WARNUNG

Der Durchmesser und die Tiefe Ihrer Befestigungslöcher müssen die gleiche Größe wie die Dehnschrauben haben.

SCHRITT 3

Vorbereitung für die Montage

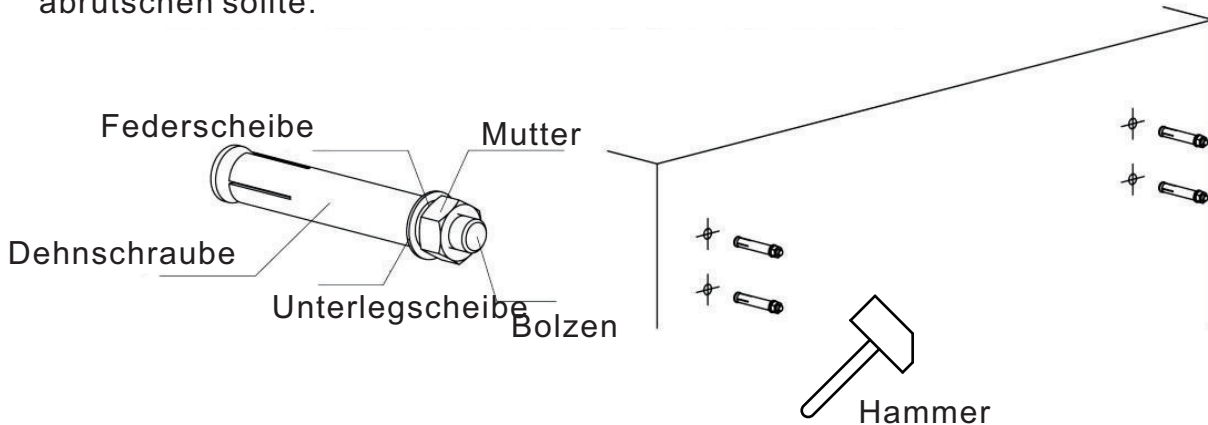
1. Nun, da alle Ihre Löcher gebohrt sind, setzen Sie die Dehnschrauben ein.
2. Es kann erforderlich sein, die Bolzen mit einem Holzhammer (oder einem anderen nichtmetallischen Hammer) einzutreiben.



Wenn für die Installation ein Hammer erforderlich ist, empfehlen wir, die Mutter vor dem Hämmern (locker) auf die Schraube zu setzen, um eine Beschädigung der Bolzengewinde zu vermeiden.

3. Vergewissern Sie sich, dass die Bolzen fest sitzen, aber lassen Sie sie etwa 1 Zoll oder weniger aus der Wand herausragen, so dass die Wandhalterung an ihnen befestigt werden kann.

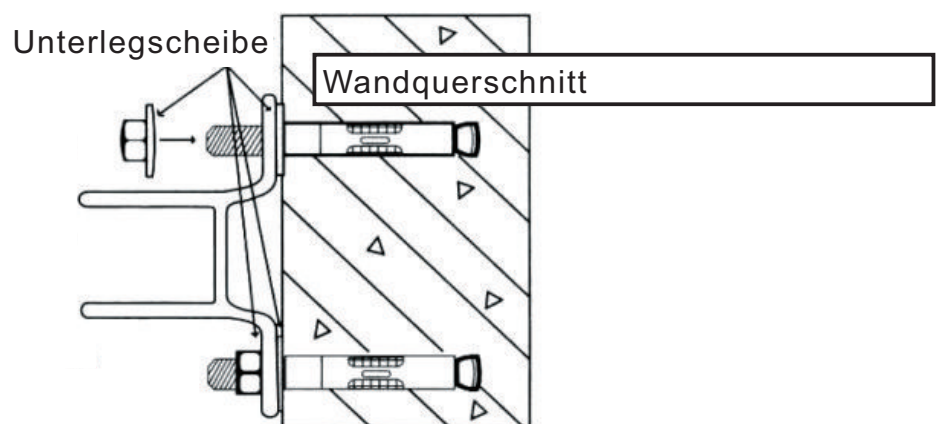
Ziehen Sie die Schrauben mit einem 0.75"(19mm)Sechskantschlüssel fest an. Am besten ist es, den Sechskantschlüssel mit einem geschlossenen und nicht mit einem offenen Ende zu verwenden, um die Mutter nicht zu beschädigen, falls sie abrutschen sollte.



SCHRITT 4

Montage der Wandhalterungen

1. Nun, da die Bolzen fest in der Wand installiert sind, entfernen Sie die Muttern, die lose über die Bolzen gelegt sind.
2. Setzen Sie eine Wandhalterung auf einen Satz Bolzen. Wenn die Bolzenlöcher richtig ausgerichtet sind, sollte dies eine einfache Montage sein.
3. Sobald die Wandhalterung auf den Bolzen ruht, legen Sie eine Unterlegscheibe über den Bolzen. Sichern Sie sie dann mit einer Mutter, wie in der Abbildung gezeigt.

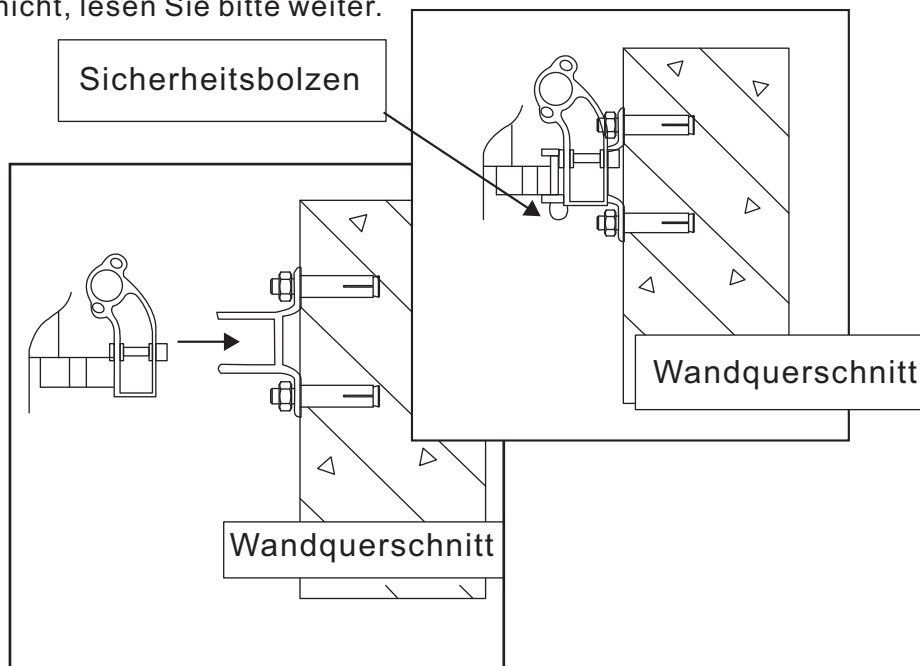


4. Die Halterungen **MÜSSEN** fest an der Wand sitzen. Wenn es eine Bewegung gibt, müssen Sie sie stärker anziehen.
5. Wiederholen Sie diesen Schritt für jede der Wandhalterungen. Sobald Sie dies getan haben, sind alle Wandhalterungen fest an ihrem Platz installiert.

SCHRITT 5

Montage der Markise

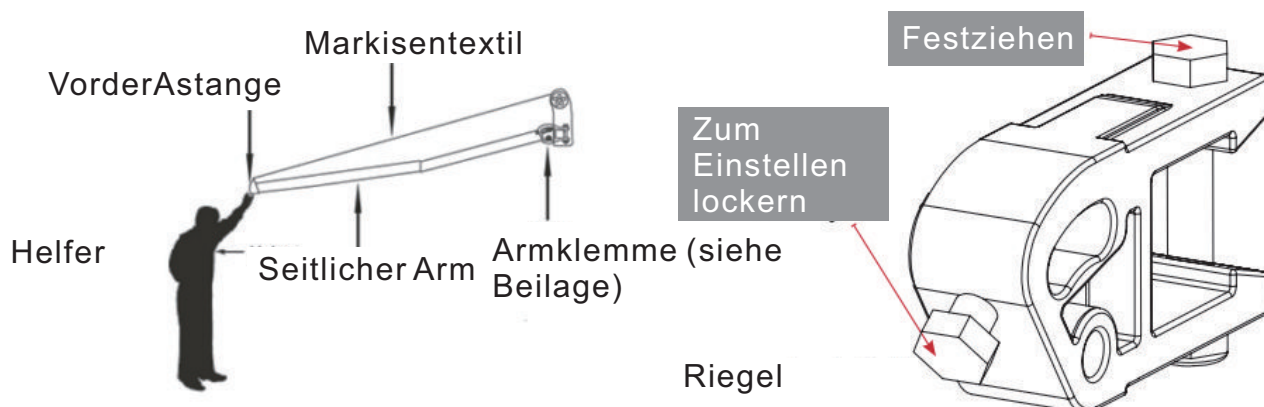
1. Nun, da die Wandhalterungen sicher und an ihrem Platz sind, ist es an der Zeit, die Markise auf die Halterungen zu montieren.
2. Zur Montage des Vorzeltes sind mindestens zwei Leitern oder stabile Stühle erforderlich.
3. Legen Sie die Torsionsstäbe auf die Wandhalterungen und ziehen Sie sie mit den Sechskantschrauben fest.
4. Zum Schluss befestigen Sie alle Dehnschrauben.
5. Öffnen Sie Ihre Markise mit der Handkurbel oder einem Motor (falls zutreffend) vollständig. Die vordere Stange sollte waagrecht sein.
6. Herzlichen Glückwunsch! Ihre Markise ist installiert. Wenn Sie mit der Höhe der vorderen Stange (Markisenneigung) zufrieden sind, lehnen Sie sich zurück und genießen Sie es! Wenn nicht, lesen Sie bitte weiter.



OPTIONALE INSTALLATION

Einstellen der Markise

Jede Markise wird mit einer voreingestellten Neigung/einem voreingestellten Winkel geliefert, der als ideal gilt. Wenn Sie jedoch eine Einstellung vornehmen müssen, kann diese in wenigen einfachen Schritten vorgenommen werden.

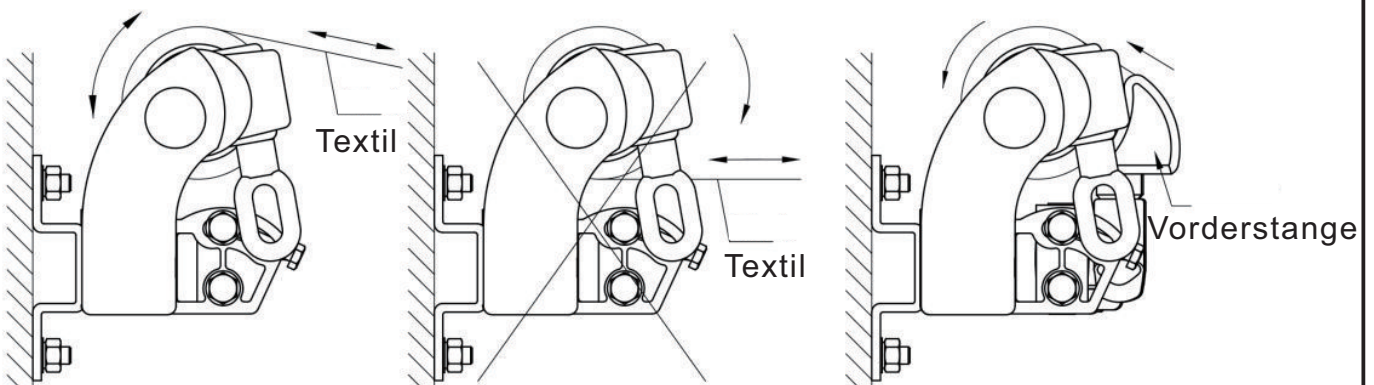


**WARNUNG**

Das Anheben des vorderen Riegels verringert die Neigung/den Winkel des Textilmaterials und erhöht damit das Risiko, dass sich Regenwasser auf dem Material ansammelt. Um ein Zusammenfallen der Markise durch das Regenwassergewicht zu verhindern, müssen Sie die Markise unbeaufsichtigt einfahren. Andernfalls kann es zu einem Bruch der Markise oder zu Verletzungen kommen.

Hinweis: Vergewissern Sie sich, dass der vordere Balken so eingestellt ist, dass er völlig eben ist. Jede Fehlausrichtung führt zu einem unsachgemäßen Einfahren.

HÄUFIGE FEHLER



Richtige Nutzung

Falsche Nutzung

**WARNUNG**

Wenn die vordere Stange die Rolle berührt, wie in der Abbildung gezeigt, versuchen Sie nicht, sie näher heranzuziehen, da sonst das Produkt beschädigt werden kann.

Grazie per aver acquistato la nostra tenda da sole retrattile! Speriamo che gioverete nell'uso del nostro prodotto per molti anni a venire.

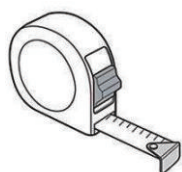
Per garantire la propria sicurezza durante l'installazione e per ottenere il massimo dal proprio acquisto, leggere l'intero manuale prima di iniziare il processo di installazione.

Consigliamo a due persone di montare questa tenda insieme. Se ritenete che questo processo sia troppo difficile da eseguire da soli, vi consigliamo di richiedere l'assistenza di un costruttore locale o di un tecnico.

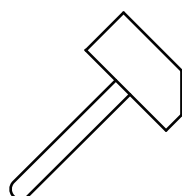
Si prega di contattare il nostro servizio di assistenza clienti per ricevere assistenza in caso di problemi o se si necessita di assistenza durante l'installazione, o qualora vi siano parti mancanti o difettose o qualsiasi altro problema, e faremo del nostro meglio per risolvere questi problemi.

Possiamo anche offrirvi istruzioni sul montaggio in formato video.

Si prega di preparare gli strumenti seguenti prima di iniziare con l'assemblaggio (non inclusi)



Metro



Martelletto non in metallo



Chiave inglese
(chiave da M17 e M14)



Cacciavite a stella



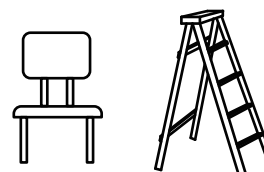
Trapano con punta da
14 mm



Livellatore linee in gesso



8 mm Chiave a brugola






Due scale o sedie molto sicure

ISTRUZIONI DI ASSEMBLAGGIO

AVVERTENZE

L'installazione e il funzionamento incorretti della tenda da sole possono provocare gravi lesioni personali e guasti al prodotto non coperti da garanzia. Si prega di seguire attentamente tutte le istruzioni seguenti o contattare il supporto tecnico per ricevere assistenza.

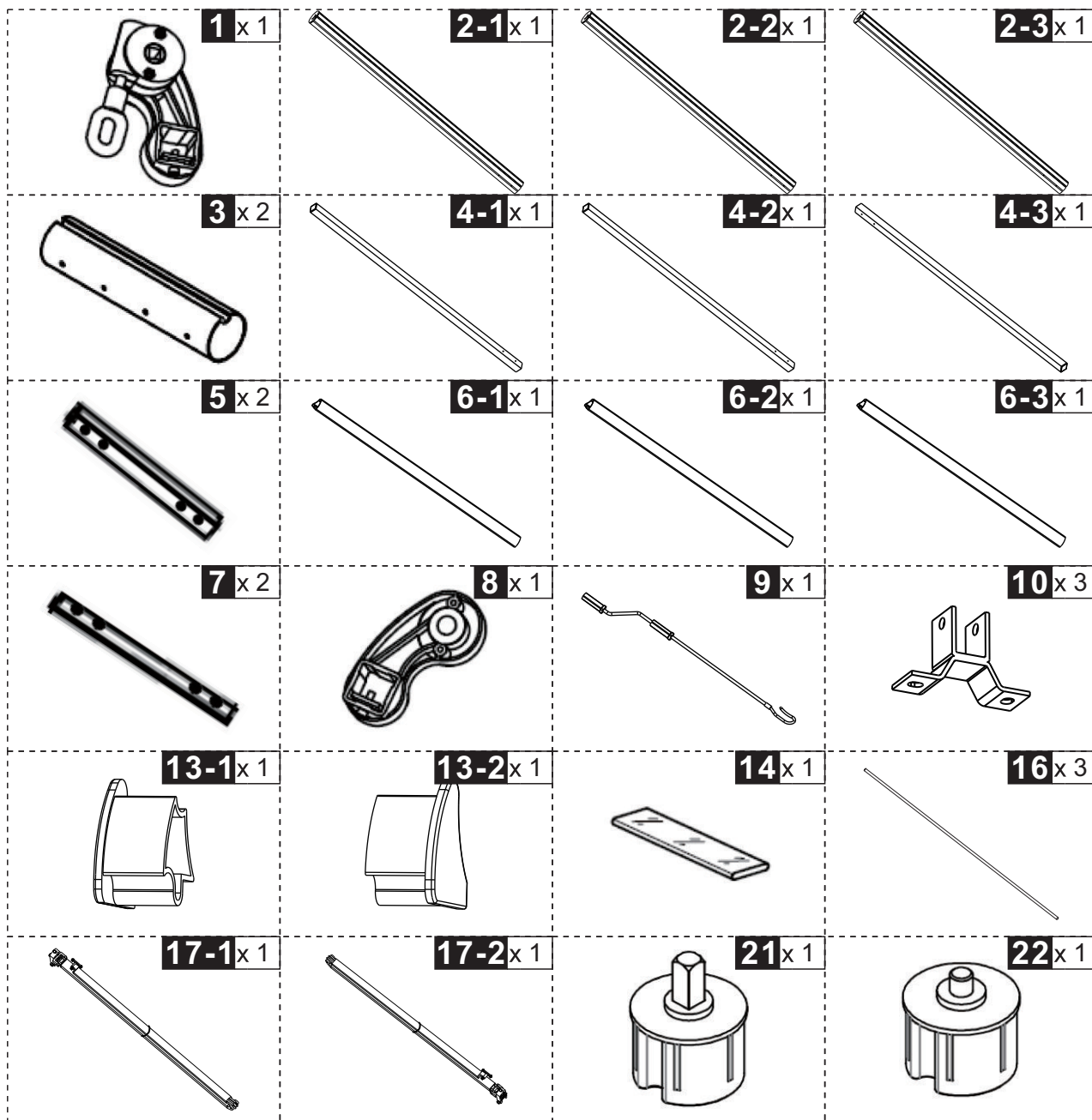
Prima di procedere, leggere le seguenti precauzioni di sicurezza:

	<p>NON rimuovere l'imballaggio di sicurezza che fissa i bracci della tenda fino a quando non e' necessario farlo. I bracci della tenda si apriranno di scatto e potrebbero causare gravi lesioni personali se maneggiati in modo inappropriato. NON posizionarsi di fronte alla tenda da sole quando si tagliano i lacci delle braccia. Tenerli saldamente e allungarli lentamente fino a completa apertura.</p>
	<p>La posizione e il fissaggio corretti dei montanti a parete sono fondamentali. Si prega di seguire le istruzioni contenute nel manuale. La mancata esecuzione in sicurezza dell'installazione di tutte le staffe potrebbe provocare il collasso della tenda da sole e causare lesioni personali o morte.</p>
	<p>Tenere i bambini lontani dall'area di lavoro.</p>

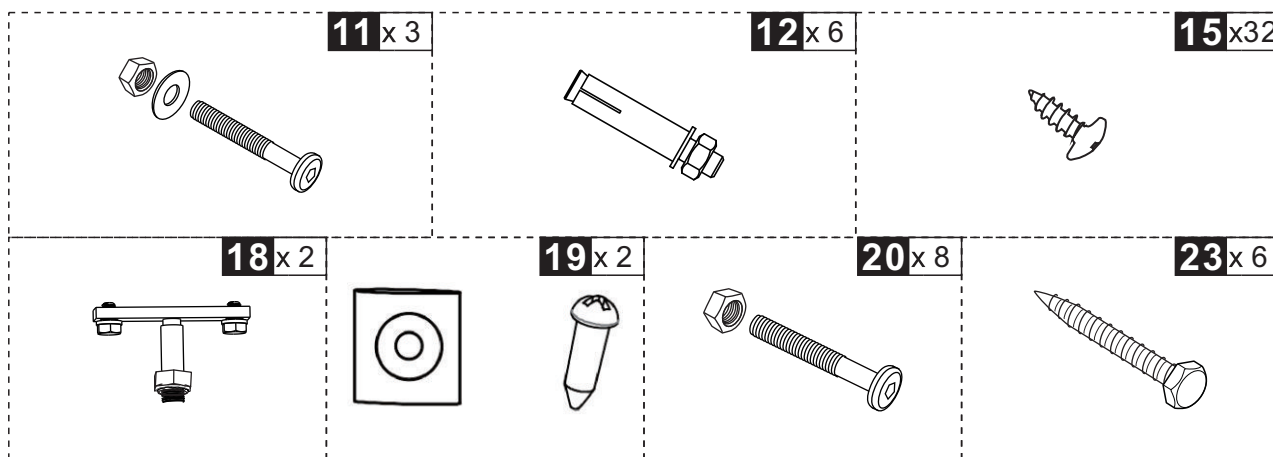
Installazione e funzionamento in sicurezza

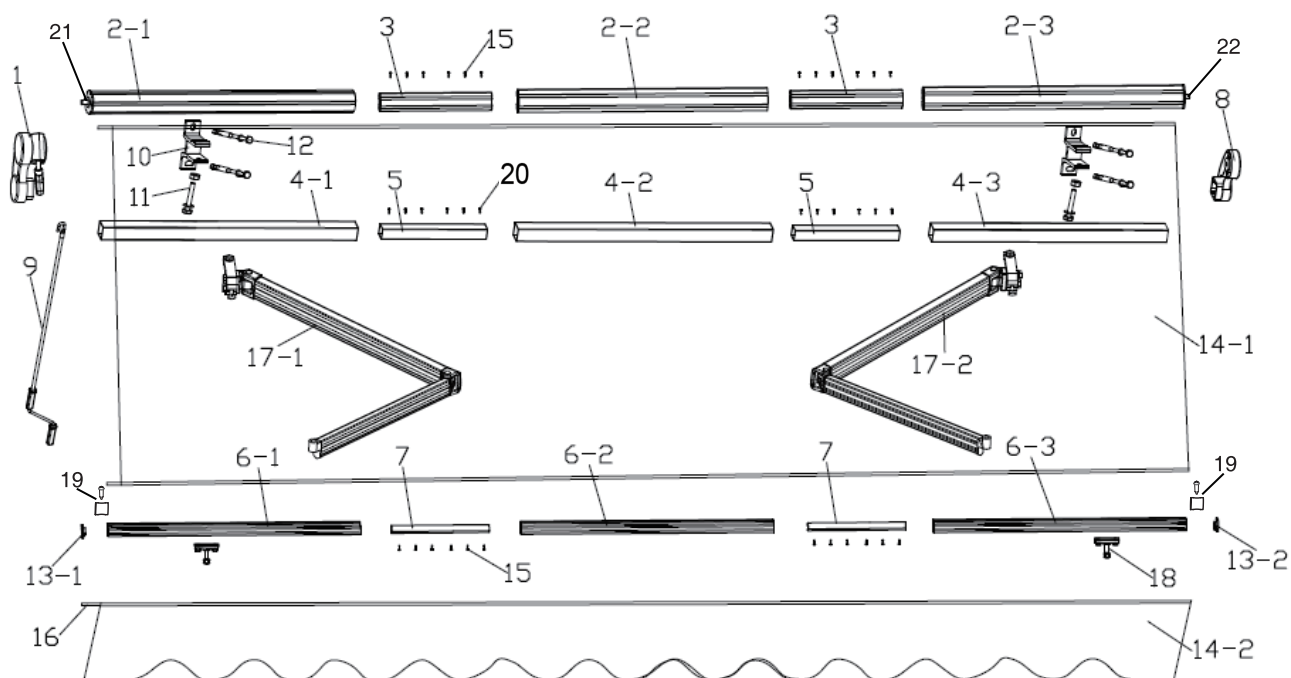
1. Non installare mai in luoghi alti e soggetti a forti venti, poiché la tenda potrebbe cadere e ferire qualcuno.
2. Non utilizzarla in luoghi soggetti a vibrazioni o impulsi.
3. Non utilizzarla in luoghi con temperature elevate, ad esempio vicino a forni.
4. Non appoggiare oggetti pesanti sulla tenda poiché potrebbe farla collassare e causare danni.
5. Si prega di chiudere la tenda da sole in condizioni tempestose, con vento e pioggia eccessive.
6. Non utilizzarlo mai per scopi diversi da quelli per cui e' stata progettata.
7. Fare attenzione alle dita durante l'installazione.
8. Sono necessari due adulti per spostare e installare la tenda poiché il prodotto è grande e pesante.
9. Si prega di stringere correttamente tutte le viti e i dadi durante l'installazione poiché è molto pericoloso se rimangono allentate.

PARTI



HARDWARE





Preparazione dello spazio di lavoro

1. Prima di cominciare, è meglio assicurarsi di avere tutti gli strumenti necessari per facilitare l'installazione.

Possibilmente scegliere gli strumenti in base alla sezione precedente sugli strumenti.



AVVERTENZA

NON rimuovere la pellicola di sicurezza che tiene abbassati i bracci della tenda. Rimuovere la pellicola prima del previsto può provocare gravi lesioni.

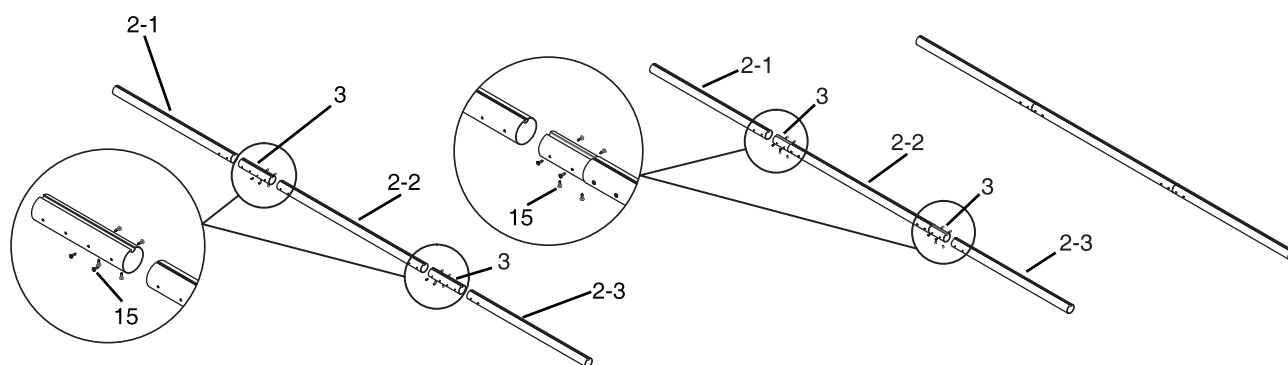
2. Aprire la confezione della tenda da sole ed estrarre con cura tutti i pezzi per evitare di danneggiarli.

3. Disporre ogni pezzo della tenda da sole e assicurarsi che siano tutti presenti. Fare riferimento allo schema delle parti per informazioni dettagliate.

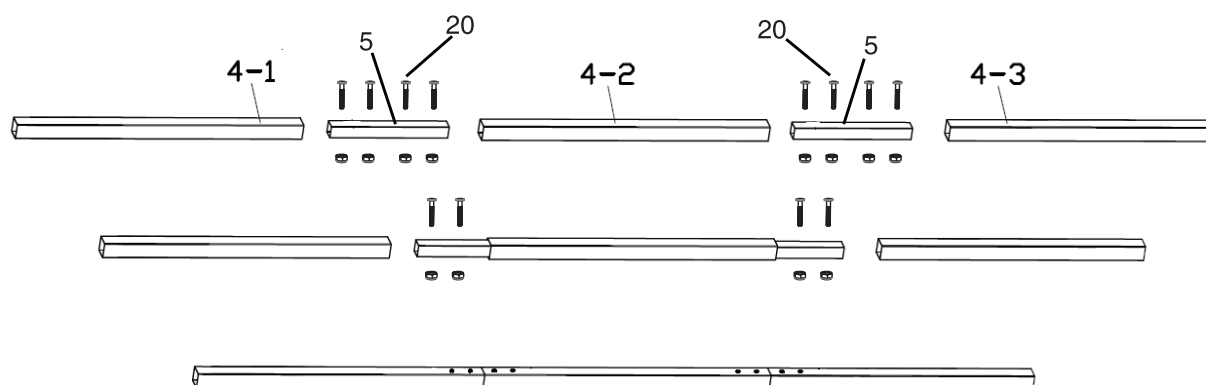
4. Aprire il piccolo compartimento interno che contiene le parti piccole e disporre anche queste.

Fase 1 : assemblaggio del rullo

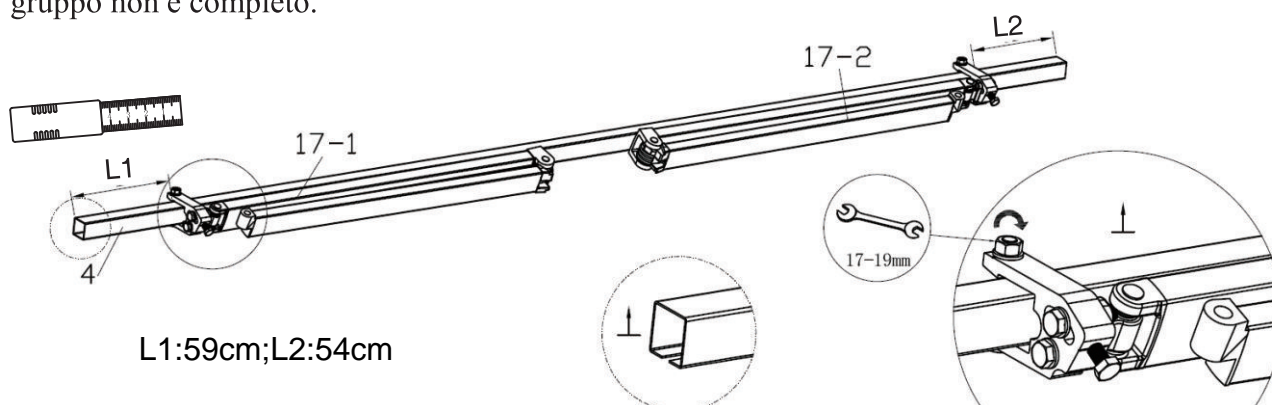
Tenere allineati i rulli, assemblare il rullo con i connettori e fissarlo con i bulloni corrispondenti come mostrato di seguito:

**Fase 2 : barra di torsione e assemblaggio del braccio:**

mantenere allineate le quattro facce, collegare la barra di torsione con i connettori e fissarla con i bulloni corrispondenti come mostrato di seguito:

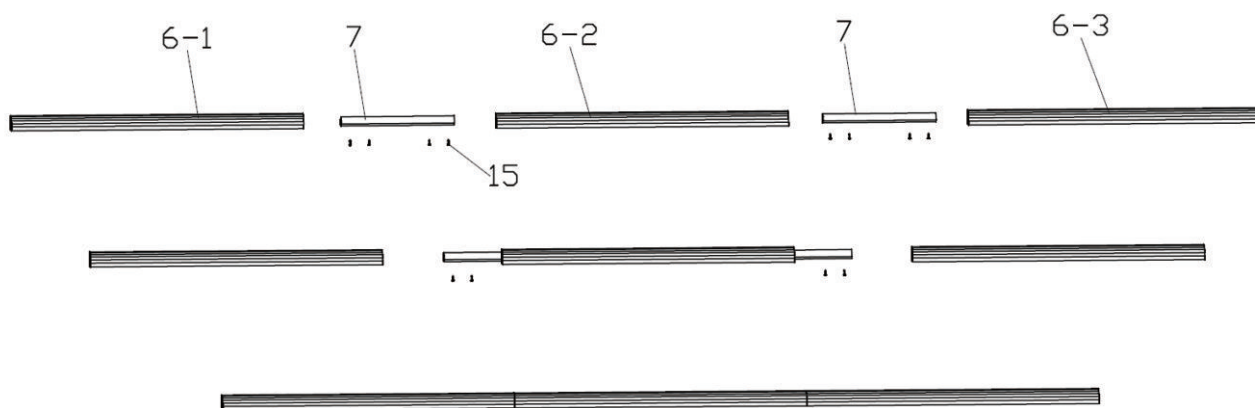


Quindi assemblare il braccio alla barra di torsione come mostrato di seguito. Due braccia hanno bisogno nella stessa direzione, la corda del braccio non può essere sbloccata fino a quando l'intero gruppo non è completo.



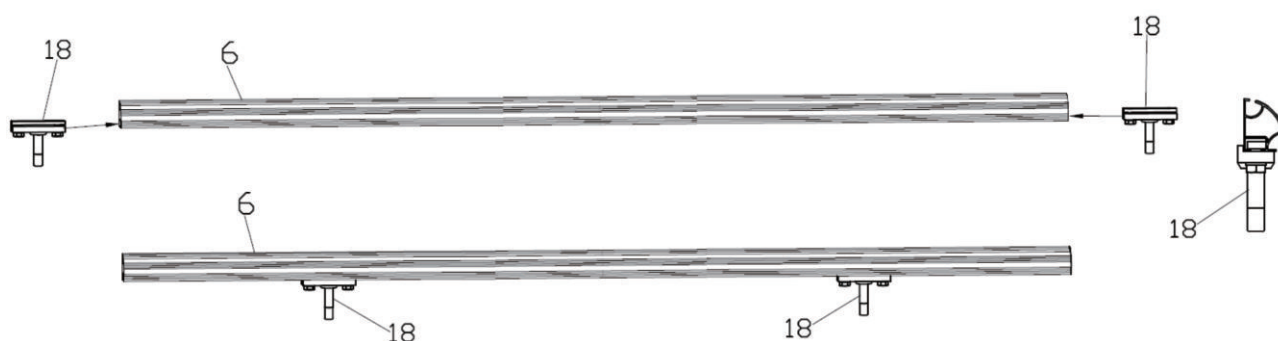
Fase 3 : assemblaggio barra anteriore

Collegare la barra anteriore con i connettori e fissarla con i bulloni corrispondenti come mostrato di seguito: (tenere la barra anteriore allineata).



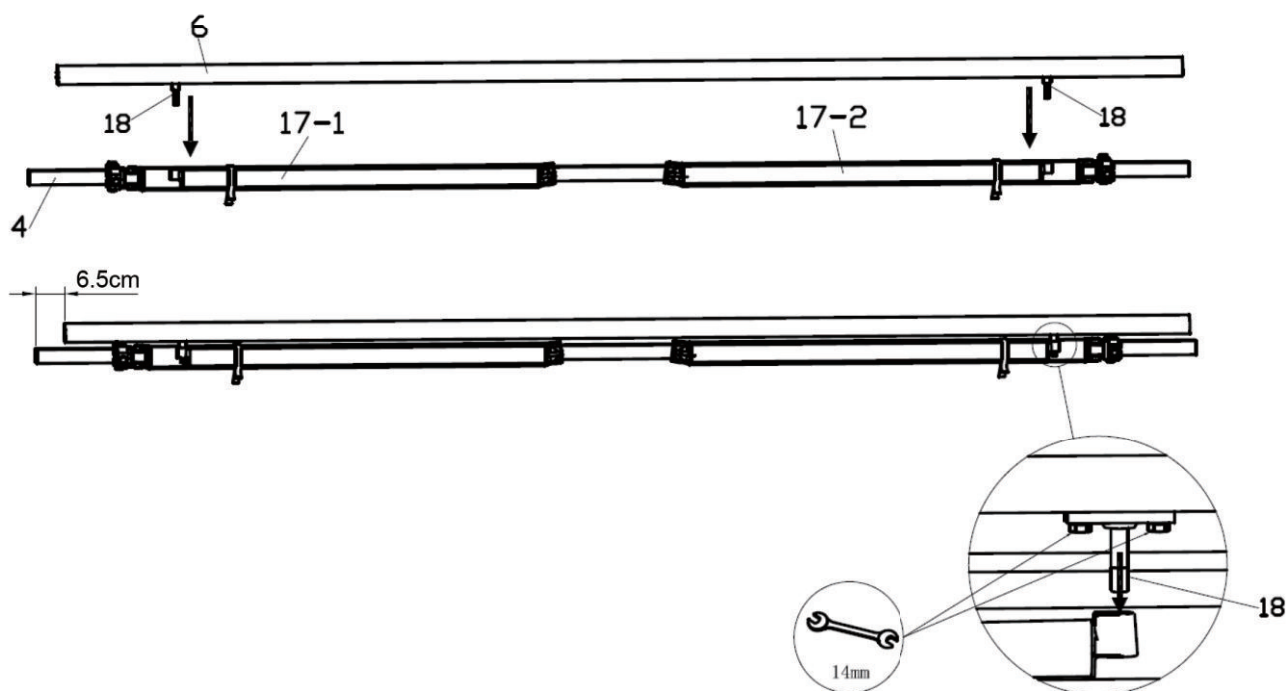
Fase 4 : Assemblaggio del supporto da polso della barra anteriore

Far scorrere i piedi della barra anteriore nella barra anteriore senza serrarli. Come mostrato nella figura seguente:



Fase 5 : bracci con gruppo barra anteriore

Inserire i bulloni della barra anteriore attraverso il foro del braccio piccolo, quindi posizionare la barra anteriore. Dopo il posizionamento, serrare il dado con la chiave, come mostrato di seguito:



Fase 6 : collegare il dado autobloccante

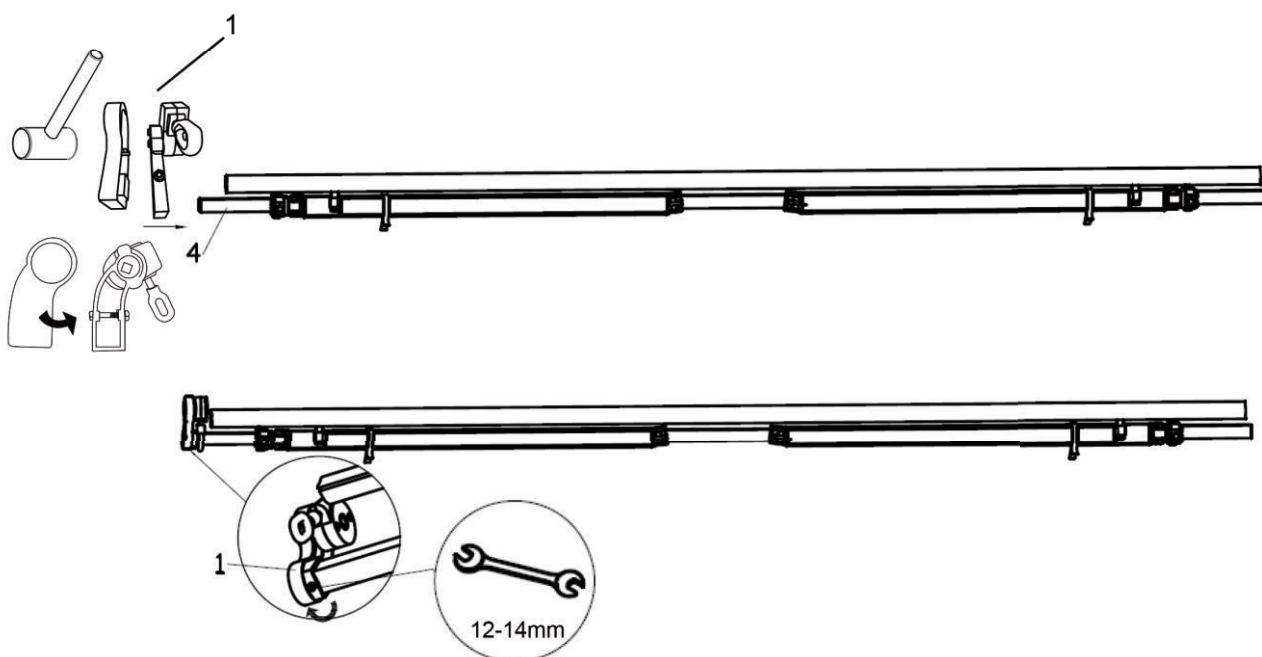
Collegare il dado autobloccante alla vite che si trova nella parte inferiore della vite dei piedi della barra anteriore con una chiave, fermarsi quando la perdita del filo è di 1 ~ 2 giri. Come mostrato nella figura seguente:



ATTENZIONE: PRIMA DI BLOCCARE IL DADO, ASSICURARSI CHE I BRACCIA SONO CORRETTAMENTE ALLINEATI.

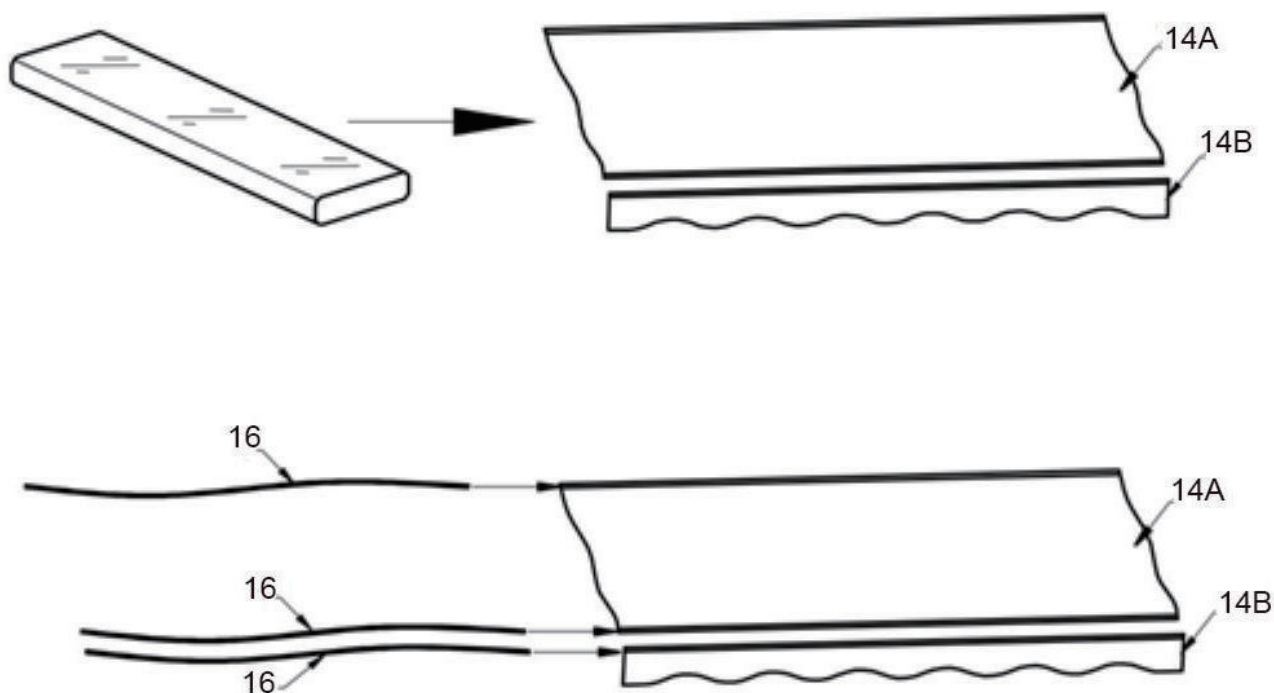
Fase 7 : supporto rullo sinistro con gruppo scatola ingranaggi

Martellare il supporto del rullo sinistro con riduttore nell'estremità sinistra della barra di torsione con un martello di legno, quindi serrare il bullone esagonale sinistro con una chiave esagonale da 5 mm. Come mostrato nella figura seguente:



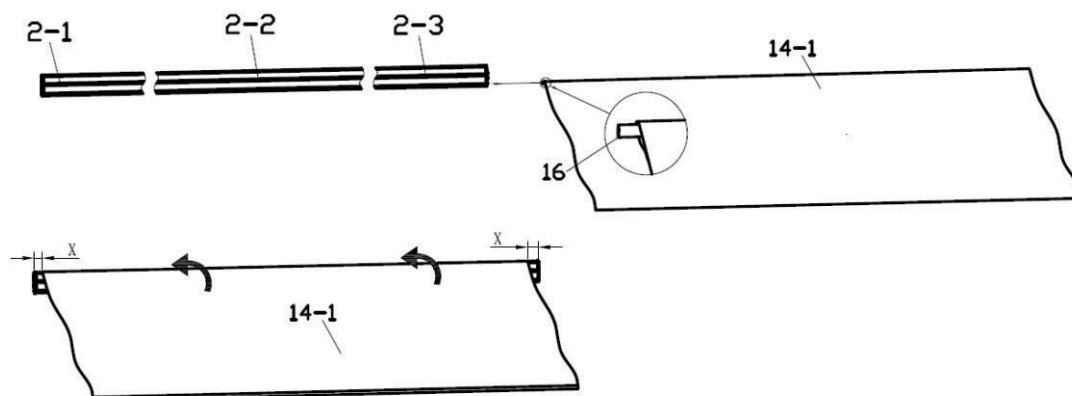
Fase 8: Assemblaggio tessuto e mantovana:

Aprire la busta in tessuto, allargare il tessuto 14A e la mantovana 14B e utilizzare il filo guida del tessuto per attraversare il tessuto. Come mostrato nella figura seguente:



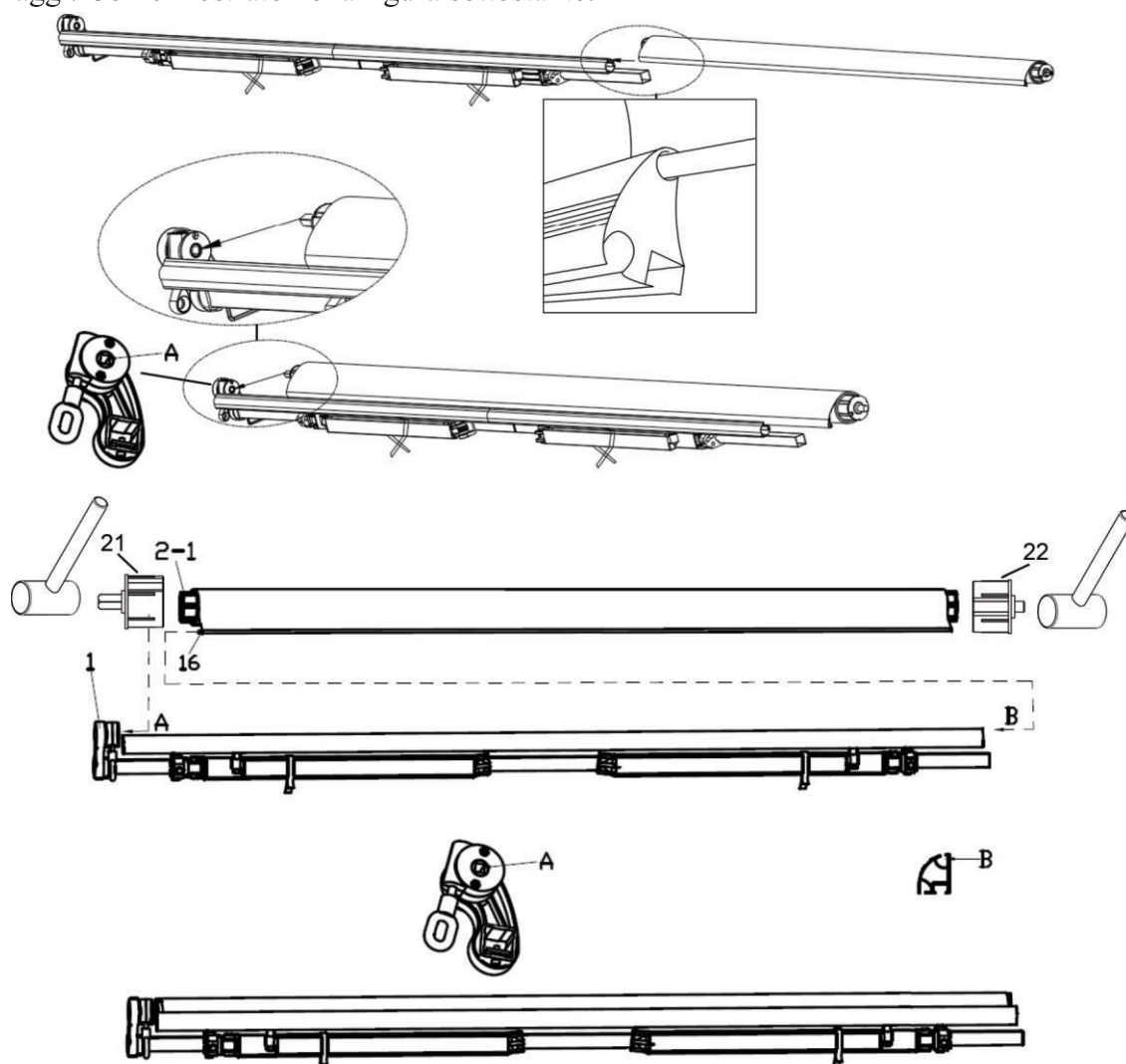
Fase 9: avvolgere il tessuto sul rullo

Arrotolare il tessuto sul rullo, prestare attenzione alla direzione del tessuto necessaria, come mostrato nella figura seguente: Rivolgere il tessuto rivolto verso l'alto durante il montaggio. Mantenere la stessa distanza X su entrambe le estremità. Stendere il tessuto lentamente in caso di danni.



Fase 10

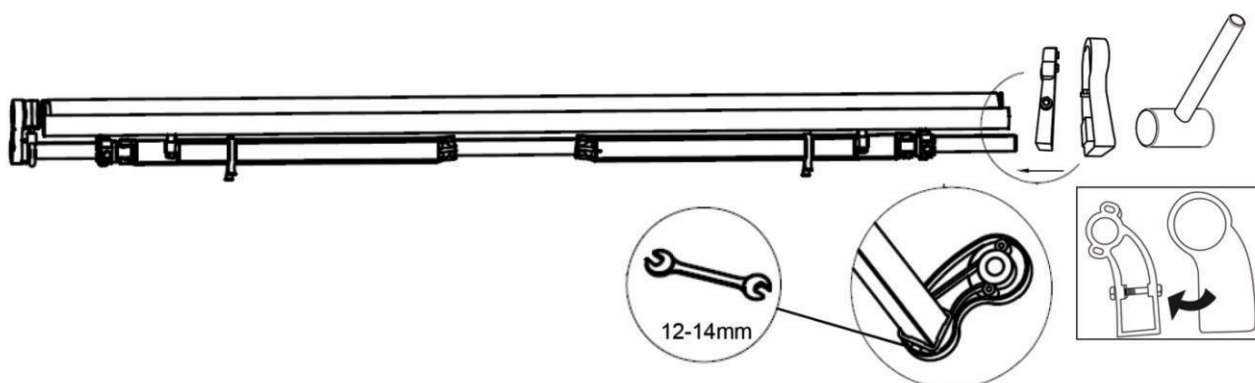
Un'estremità del tessuto attraverso la scanalatura della barra anteriore, ben distribuito il tessuto dopo aver tirato tutto il tessuto, quindi inserire l'albero del rullo nel foro quadrato della scatola ingranaggi. Come mostrato nella figura sottostante.



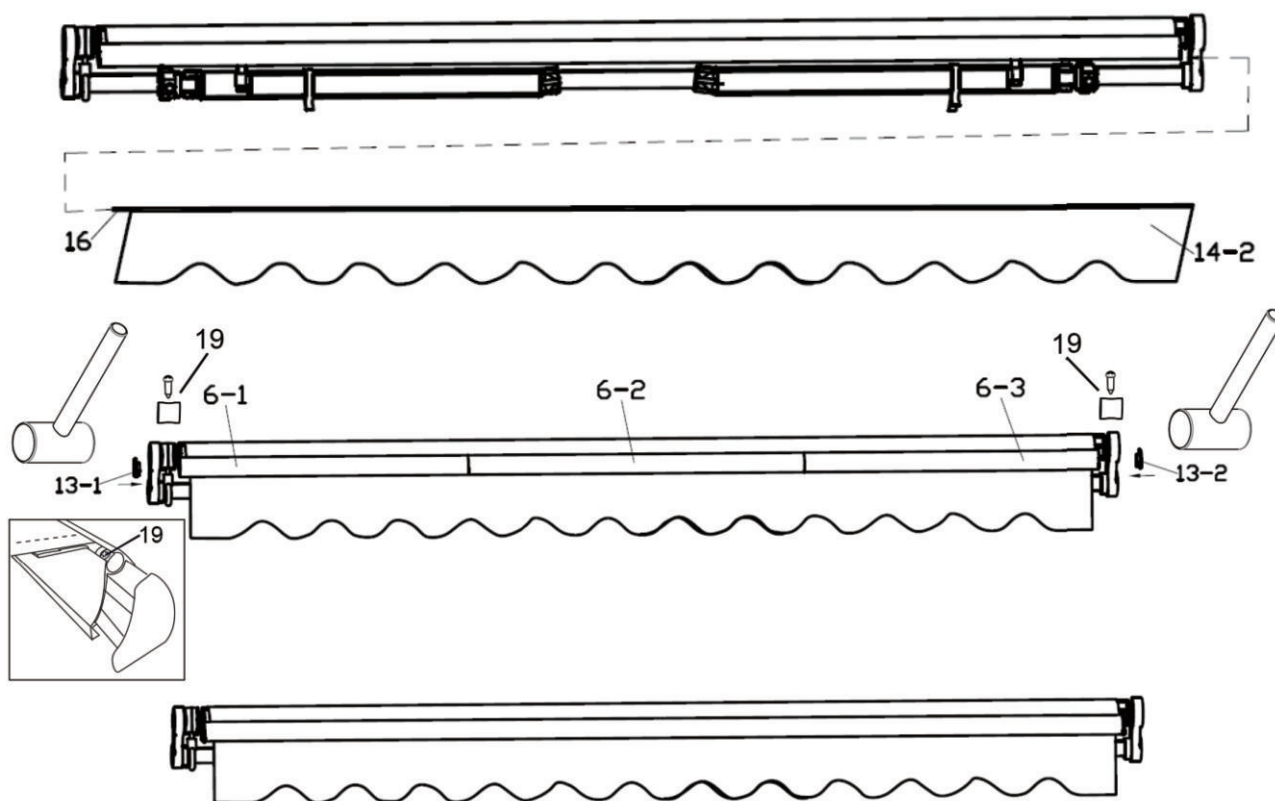
Se la parte della barra anteriore è leggermente deformata, regolarla con gli strumenti da soli.

Fase 11: gruppo di supporto del rullo destro

Inserire l'albero del rullo nel tappo del rullo; nel frattempo inserire la barra di torsione nei supporti del rullo destro colpendolo. Quindi serrare il bullone esagonale destro con una chiave esagonale da 5 mm. Come mostrato nella figura seguente:

**Fase 12: assemblare per realizzare una tenda intera**

Fai il mantovana attraverso la scanalatura della barra anteriore, fai attenzione alla direzione e assicurati in media i lati sinistro e destro, quindi colpisci la cover della barra anteriore fino alla fine della barra anteriore. Come mostrato nella figura seguente:



Se la parte della barra anteriore è leggermente deformata, regolarla con gli strumenti da soli.



Se riscontrate che il tessuto si avvolge in modo non uniforme o che i due bracci non si aprono contemporaneamente, verificate la stabilità dei due bracci. Soluzione: può essere necessario regolare la posizione del collegamento della barra del braccio sulla staffa anteriore verso l'esterno.

Specifiche

Nome Prodotto	Materiali e trattamento superficiale	Tipo di parete su cui e' utilizzabile	Altezza consigliata per l'installazione	Condizioni meteo in cui e' utilizzabile
Tenda da sole retrattile (Vedere i dettagli sulla confezione)	Materiali: tubo in acciaio, lega di alluminio, parti in plastica, tessuto in poliestere. Trattamento superficie Tubi: vernice spray e ossidazione Superficie del tessuto: PU, UV, impermeabile	Muri in cemento armato, muri in mattoni e muri in legno	2,5m-4m 8'-13'	Il prodotto viene utilizzato per schermare il sole. Utilizzabile quando il vento è inferiore al livello 5. Non adatto per in condizioni di pioggia.

Montaggio a muro

Note sul montaggio a muro

Questa tenda da sole può essere fissata a pareti in cemento armato, mattoni e legno. Tuttavia, questo kit della tenda da sole fornisce solo viti adatte al montaggio su pareti in mattoni e cemento armato.

Se si desidera montare la tenda a una parete in legno, utilizzare una vite per legno di lunghezza adeguata e di diametro appropriato per fissarla alle travi di legno. La dimensione del bullone dipende dalla dimensione del legno; questi possono essere acquistati in un ferramenta. Consigliamo di farla installare ad una professionista, per un'installazione più sicura.

Non tentare mai di fissare i montanti ad una parete in pietra o qualsiasi superficie che non sia assolutamente stabile!

10  Montante a parete 3PZ	11  Vite esagonale 3PZ	23  Vite in legno 6PZ	12  Bullone ad espansione 6PZ	9  Manovella 1PZ
--	---	--	---	---



ATTENZIONE

La corretta posizione delle staffe è l'aspetto più importante dell'installazione della tenda da sole. È fondamentale che tutte le staffe di montaggio vengano fissate a montanti, travetti, testate o altri componenti strutturali principali.

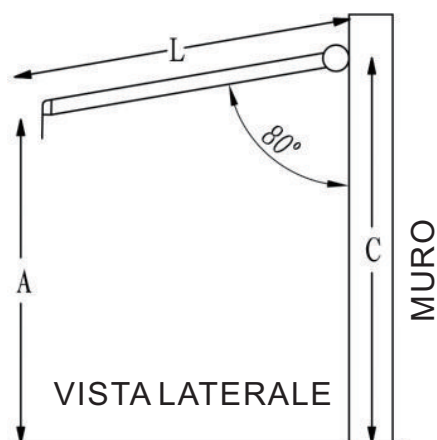


AVVERTENZA

Il mancato montaggio in sicurezza di tutte le staffe alla parete potrebbe provocare il collasso della tenda e lesioni personali o morte.

Altezza del montaggio

È importante prendere in considerazione l'area raggiunta dalla tenda da sole prima di fissare i supporti a parete. Se la si vuole montare, ad esempio, sopra ad una porta in giardino, lasciare almeno 8" (20.5cm) di spazio sopra il telaio della porta e assicurarsi che la tenda da sole non interferisca con l'apertura e la chiusura della stessa. L'angolo di caduta può essere modificato solo minimamente, quindi va tenuto in considerazione quando si sceglie dove posizionare la tenda da sole.



Consigliamo che la superficie della tenda si apra con un angolo di 80 gradi.

Altezza di installazione consigliata: 8-13' (2.5-4m).

L'angolo di caduta ideale (quando completamente esteso) è pre-impostato in fabbrica, pertanto potrebbe non essere necessario modificarlo.

CALCOLO DELL'ANGOLO:

È possibile utilizzare la seguente formula per calcolare l'angolo appropriato.

$$C = LA + 0,17 * L$$

A = Altezza desiderata della barra anteriore

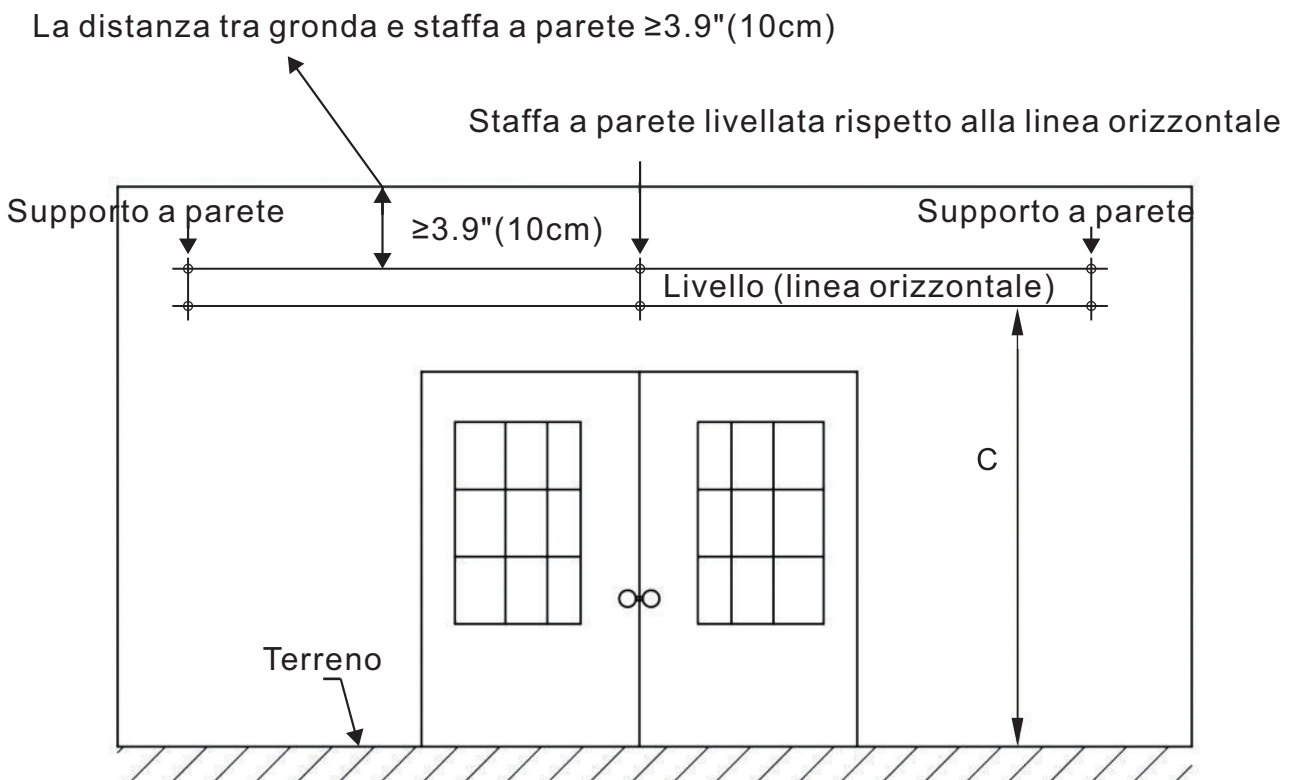
L = Lunghezza del braccio teso

STEP 1

Misurare il sito di montaggio

1. Misurare la lunghezza della tenda da sole lungo il muro dove si è scelto di installarla. Questa linea sarà il punto più alto della tenda e va allineata con la parte superiore del montante a parete. Usare un livellatore per tracciare una linea di gesso lungo questa distanza.
2. Importante: ricontrollare che la linea sia completamente a livello.
3. Assicurarsi che la linea sia centrata sulla porta del patio, sulla finestra o su un'altra struttura, se possibile.
4. Ora che avete tracciato linea dritta e centrata, misurare e marcare il punto di mezzo. Qui è dove verrà installata la staffa a parete centrale.
5. Prendere una staffa a parete e posizionare la parte superiore, completamente a livello, sotto la linea tracciata, come mostrato nello schema seguente. Con il gesso o una matita, marcare la posizione di tutte le staffe a muro e dei relativi fori per i bulloni. Notare che la distanza tra ogni staffa a parete dovrebbe essere la stessa.

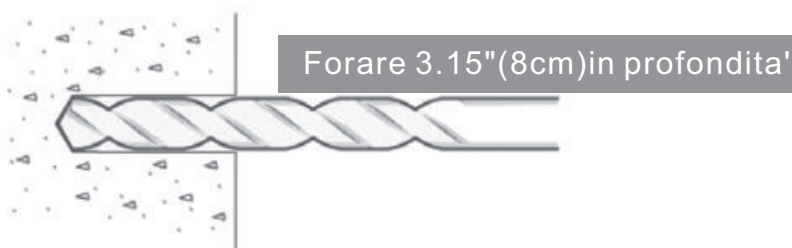
Tenda < 10.8'(3.5m)	Richiede in totale solo 2 staffe a parete: una per ciascuna estremità delle barre di torsione.
Tenda = 10.8-14'(3.5-4m)	Richiede in totale 3 staffe a parete: una per ciascuna estremità e una al centro.



STEP 2

Forare per i bulloni

1. Ora che che e' stata contrassegnata la linea dritta sul muro con le posizioni delle staffe a parete e dei relativi fori dei bulloni, è possibile praticare i fori per montare le barre.



2. Utilizzare una punta da trapano per muratura da 0.55" (14mm), praticare il primo foro ad una profondità di circa 3.15" (8cm), come mostrato in figura. Esso va forato attraverso mattoni pieni o cemento per offrire il supporto necessario per la tenda da sole.

3. Praticare gli altri fori come nello step 2.



AVVERTENZA

Tutti i fori vanno allineati verticalmente e orizzontalmente per garantire che la tenda da sole rimanga dritta.

Se non siete certi, ricontrollare l'allineamento prima di praticare i fori.



AVVERTENZA

Il diametro e la profondità dei fori di montaggio devono essere della stessa dimensione dei bulloni ad espansione.

STEP 3

Prepararsi al montaggio

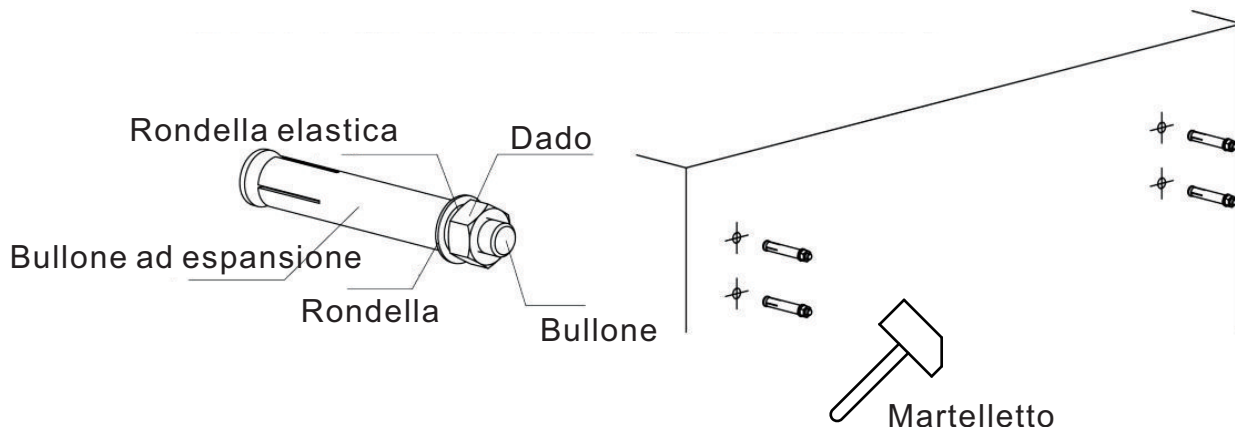
1. Ora che tutti i fori sono stati praticati, inserire i bulloni ad espansione.
2. Potrebbe essere necessario picchiettare i bulloni con un martello di legno (o altro martello non metallico).



Se e' necessario utilizzare il martelletto per l'installazione, si consiglia di posizionare il dado sulla vite (senza stringere) prima di martellare per evitare di danneggiare le filettature dei bulloni.

3. Assicurarsi che i bulloni siano saldamente in posizione, ma lasciare che sporgano dal muro di circa 1 pollice o poco meno, in modo da poter procedere all'installazione su di essi.

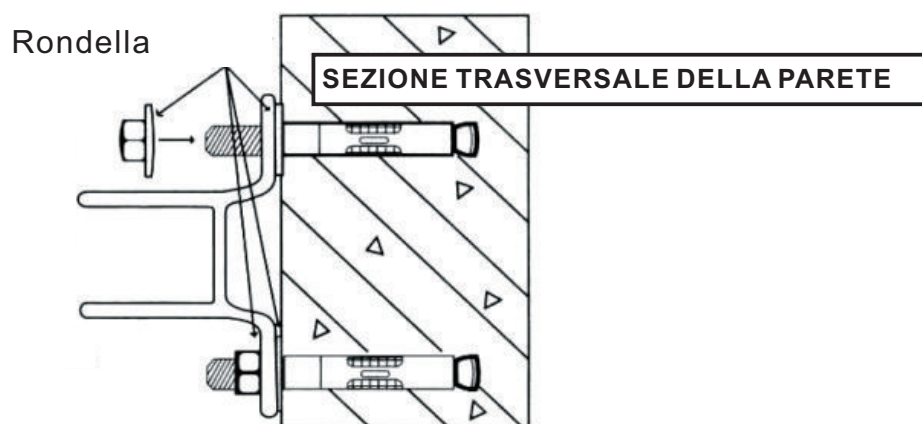
Stringere saldamente i bulloni con una chiave esagonale da 0.75"(19mm). È preferibile usare la chiave esagonale con un'estremità chiusa piuttosto che un'estremità aperta per evitare di danneggiare il dado, qualora dovesse scivolare.



STEP 4

Montare i supporti a muro

1. Ora che i bulloni sono installati saldamente nel muro, rimuovere i dadi che erano stati posizionati sui bulloni.
2. Appoggiare una staffa a parete su un set di bulloni. I fori dovrebbero adattarsi facilmente se essi sono allineati correttamente.
3. Una volta che la staffa a parete è appoggiata sui bulloni, posizionare una rondella sul bullone. Poi fissarla con un dado, come mostrato nel diagramma seguente.



4. Le staffe DEVONO essere poggiate saldamente sul muro. Se si muovono, vanno strette ulteriormente.
5. Ripetere questo passaggio per ciascuna delle staffe. Una volta conclusa questa operazione, tutte le staffe a muro saranno installate saldamente in posizione.

STEP 5

Montare la tenda

1. Ora che le staffe a parete sono sicure e in posizione, e' possibile installare la tenda da sole sulle staffe.
2. Per installare la tenda da sole sono necessarie almeno due scale o sedie robuste.
3. Posizionare le barre di torsione sulle staffe a parete e stringerle con le viti esagonali.
4. Quindi, infilare tutti i bulloni ad espansione.
5. Utilizzare la manovella o un motore (se possibile) per estendere completamente la tenda da sole. La staffa anteriore dovrebbe essere a livello.
6. Congratulazioni! La vostra tenda da sole è ora installata. Se siete soddisfatti dell'altezza della staffa anteriore (inclinazione della tenda da sole), potete sedervi e divertirvi! In caso contrario, continuate a leggere.



INSTALLAZIONE OPZIONALE

Regolare la tenda

Ogni tenda viene fornita con un'inclinazione / angolo preimpostato considerato ideale. Tuttavia, se è necessario regolarlo, cio' può essere fatto in pochi semplici passaggi.

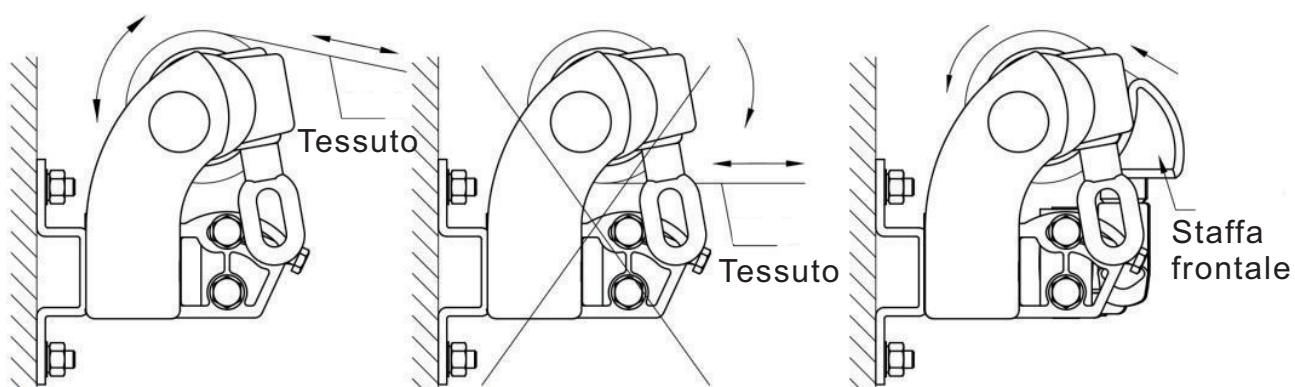


**AVVERTENZA**

Alzando la barra anteriore si ridurrà l'angolazione del tessuto, aumentando così il rischio che l'acqua piovana si accumuli su esso. Per evitare che la tenda cada a causa del peso dell'acqua piovana, ritrarre la tenda quando è incustodita. Se questa precauzione non viene osservata, potreste causare la rottura della tenda o procurarvi lesioni personali.

Nota: assicurarsi che la staffa anteriore sia regolata in modo da essere completamente a livello uniforme. Qualsiasi disallineamento comporterà una ritrazione impropria.

ERRORI COMUNI



Operazione corretta

Operazione incorretta

**AVVERTENZA**

Quando la staffa anteriore viene a contatto con il rullo come mostrato in figura, non cercare di avvicinarli, altrimenti il prodotto potrebbe danneggiarsi.

If you have any questions, please contact our customer care center, Our contact details are below:

US


 001-877-644-9366

 customerservice@aosom.com

Imported by Aosom LLC
27150 SW Kinsman Rd Wilsonville, OR 97070 USA
MADE IN CHINA

If you have any questions, please contact our customer care center, Our contact details are below:


CA

 416-792-6088

 customerservice@aosom.ca

Imported by Aosom Canada Inc.
7270 Woodbine Avenue, Unit 307, Markham,
Ontario Canada L3R 4B9
MADE IN CHINA

Si vous avez la moindre question, veuillez contacter notre centre d'assistance à la clientèle, Nos coordonnées sont les suivantes:

 416-792-6088

 customerservice@aosom.ca

Importé par Aosom Canada Inc.
7270 Woodbine Avenue, unité 307,
Markham, Ontario Canada L3R 4B9
FABRIQUÉ EN CHINE

If you have any questions, please contact our customer care center, Our contact details are below:

UK


 0044-800-240-4004

 enquiries@mhstar.co.uk

IMPORTER ADDRESS:
MH STAR UK LTD
Unit 27, Perivale Park,
Horsenden lane South
Perivale, UB6 7RH
MADE IN CHINA

Si vous avez la moindre question, veuillez contacter notre centre d'assistance à la clientèle, Nos coordonnées sont les suivantes:

FR


 0033-1-84166106

 aosom@mhfrance.fr

Importé par/Fabricant/REP:
MH FRANCE
2 Rue Maurice Hartmann
92130 Issy Les Moulineaux
France
FABRIQUÉ EN CHINE

Wenn Sie Fragen haben, wenden Sie sich bitte an unser Kundendienstzentrum, Unsere Kontaktdaten stehen unten:

DE


 0049-0(40)-88307530

 service@aosom.de

ADRESSE DES IMPORTEURE/Hersteller/REP:
MH Handel GmbH
Wendenstraße 309
D-20537 Hamburg
Germany
IN CHINA HERGESTELLT

In caso di dubbio, si prega di contattare il nostro centro assistenza clienti, I nostri dettagli di contatto sono di seguito:

IT


 0039-0249471447

 clienti@aosom.it

IMPORTATO DA/Produttore/REP:
AOSOM Italy srl
Centro Direzionale Milanofiori
Strada 1 Palazzo F1
20057 Assago (MI)
P.I.: 08567220960
FATTO IN CINA

Si tiene alguna pregunta, comuníquese con nuestro Centro de Atención al Cliente, Nuestros datos de contacto son los siguientes:

ES


 0034-931294512

 atencioncliente@aosom.es

IMPORTADOR/Fabricante/REP:
SPANISH AOSOM, S.L.
C/ROC GROS, N°15.08550, ELS HOSTALETES DE
BALENYÀ, SPAIN.
B66295775
HECHO EN CHINA

Se tiver alguma dúvida, por favor contacte o nosso Centro de Atendimento ao Cliente, Os nossos dados de contacto são os seguintes:

PT

 0034-931294512

 info@aosom.pt.

IMPORTADOR/Fabricante/REP:
SPANISH AOSOM, S.L.
C.ROC GROS N.15, 08550. ELS HOSTALETES DE
BALENYÀ
FEITO NA CHINA



FR

**DONNEZ
OU
RECYCLEZ**



ASSOCIATION

OU



LIVRAISON

OU



DÉCHÈTERIE

Adresses sur quefairedemesdechets.fr