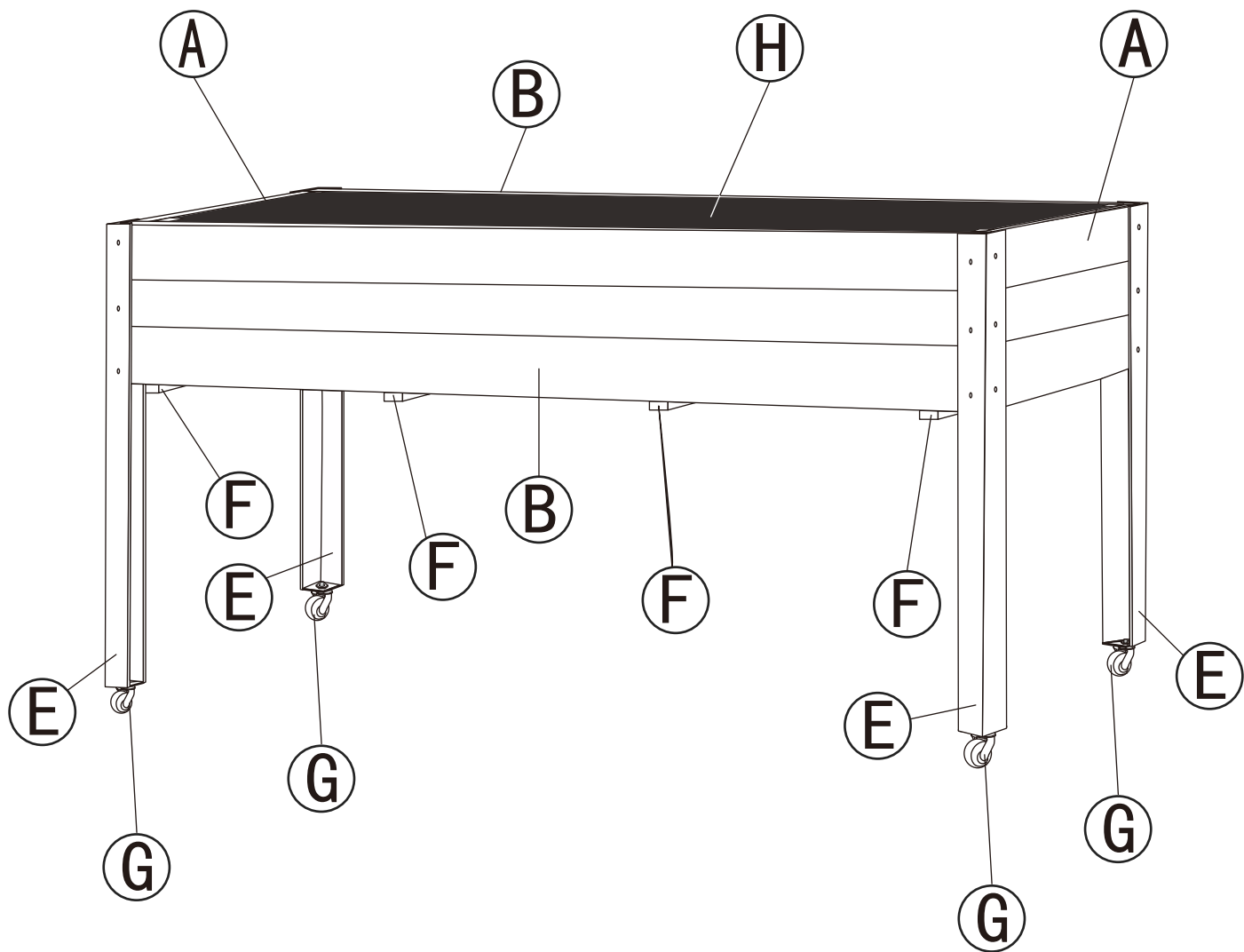


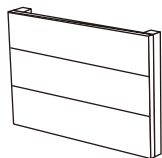
IMPORTANT, RETAIN FOR FUTURE REFERENCE: READ CAREFULLY

ASSEMBLY & INSTRUCTION MANUAL



PARTS

A x 2



B x 2



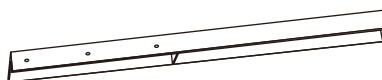
C x 1



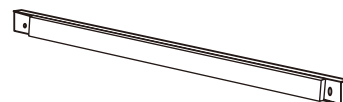
D x 1



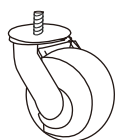
E x 4



F x 4



G x 4

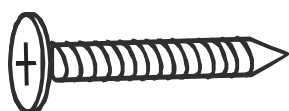


H x 1

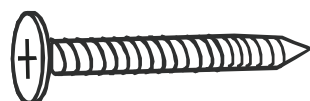


HARDWARE

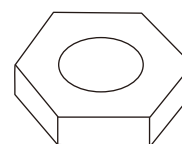
1 x 32
M4*30
+2(spare)



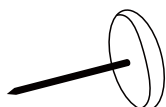
2 x 8
M4*40
+1(spare)



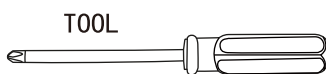
3 x 4



4 x 10
+1(spare)



5 x 1

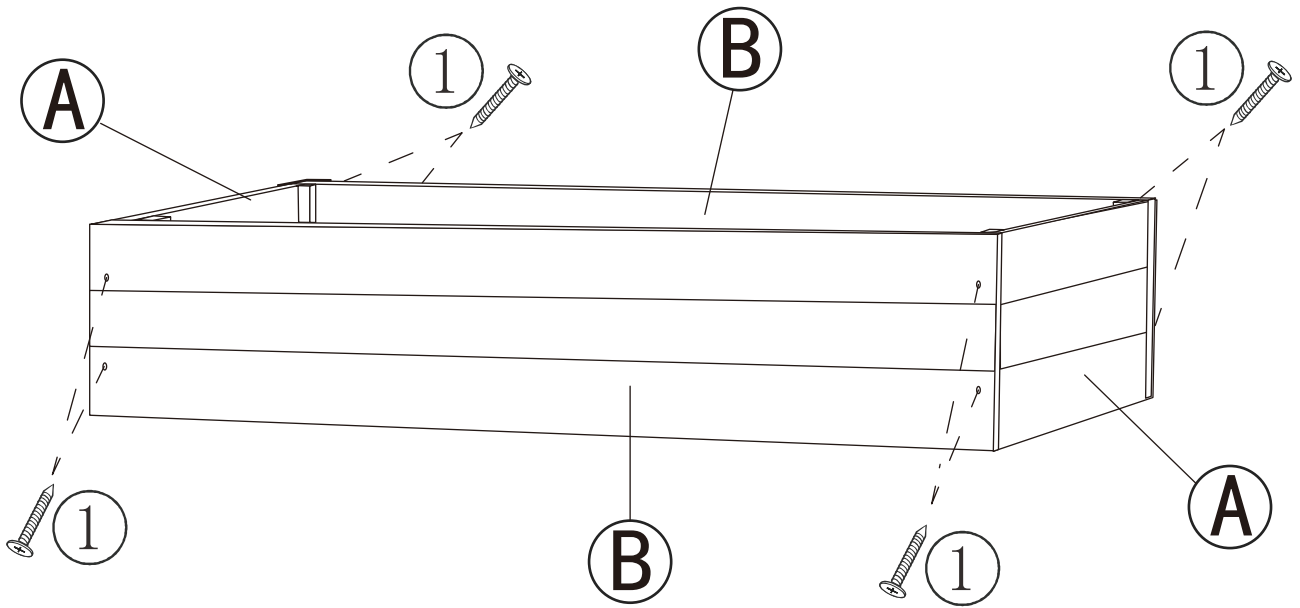


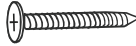
6 x 1



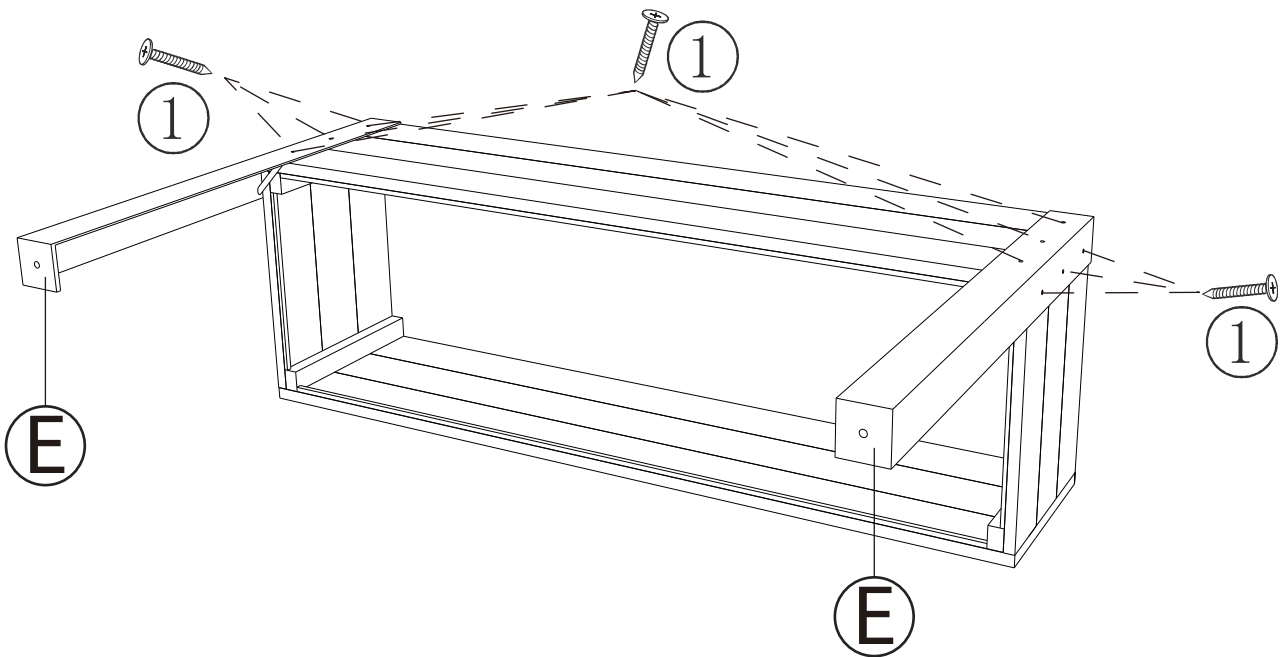
① M4 x 30 mm x 8 Pieces 

01



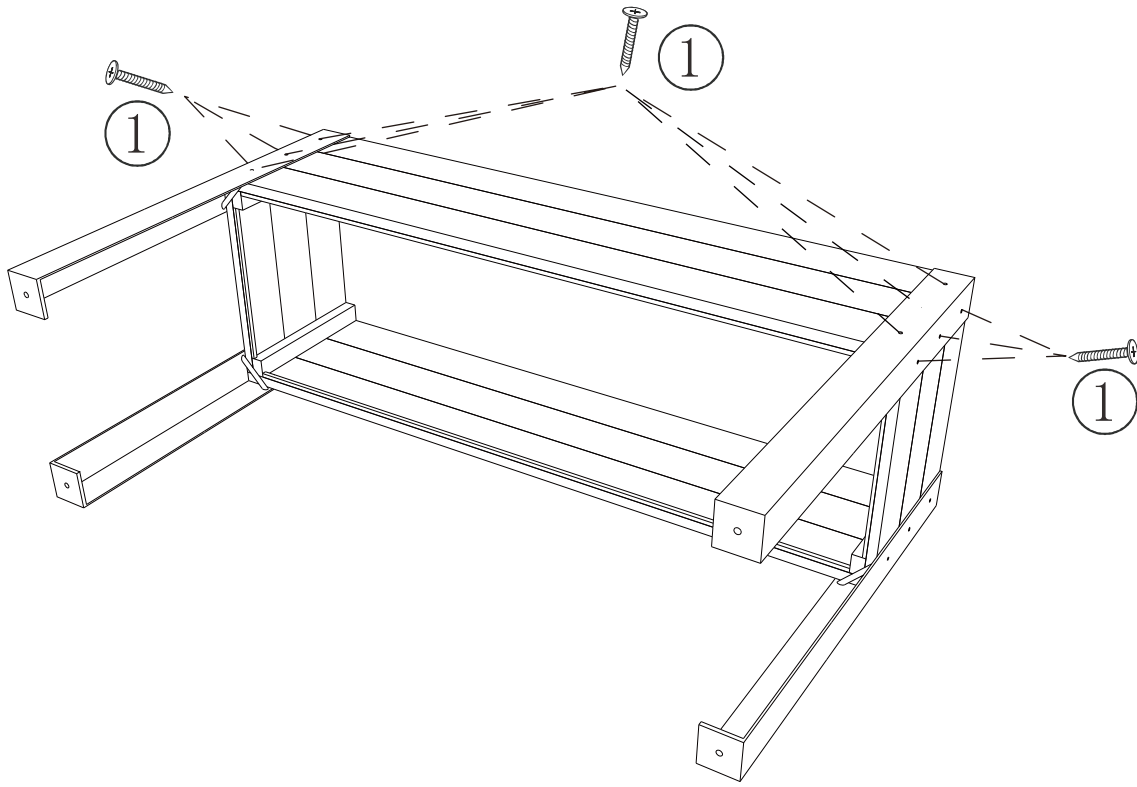
① M4 x 30 mm x 12 Pieces 

02



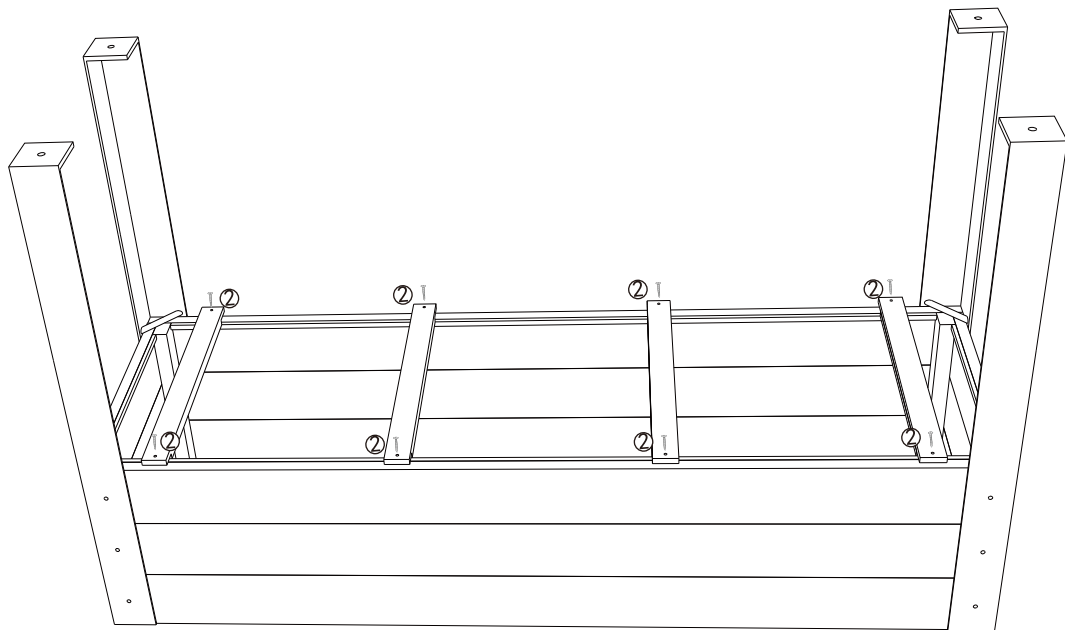
① M4 x 30 mm x 12 Pieces 

03



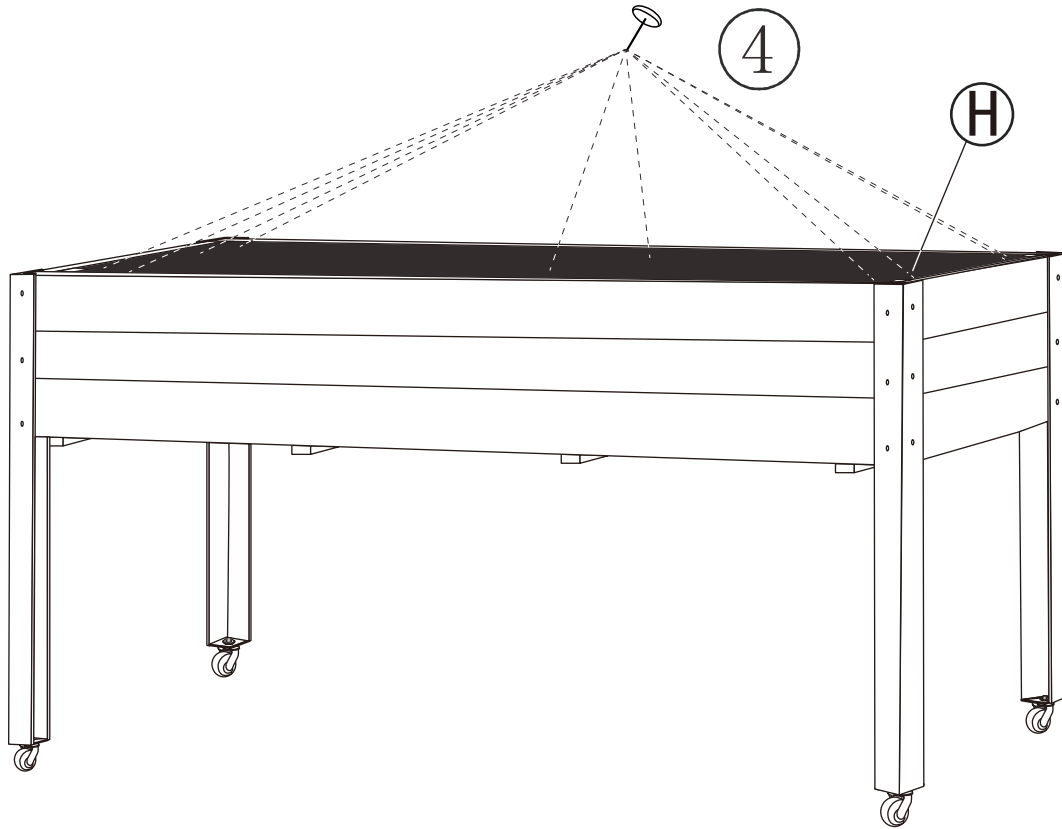
② M4 x 40 mm x 8 Pieces 

04



④ x 10 Pieces 

07



Done

