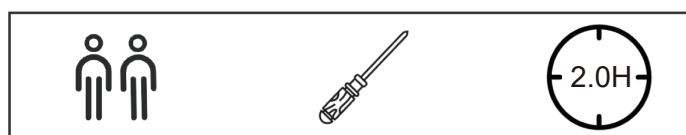
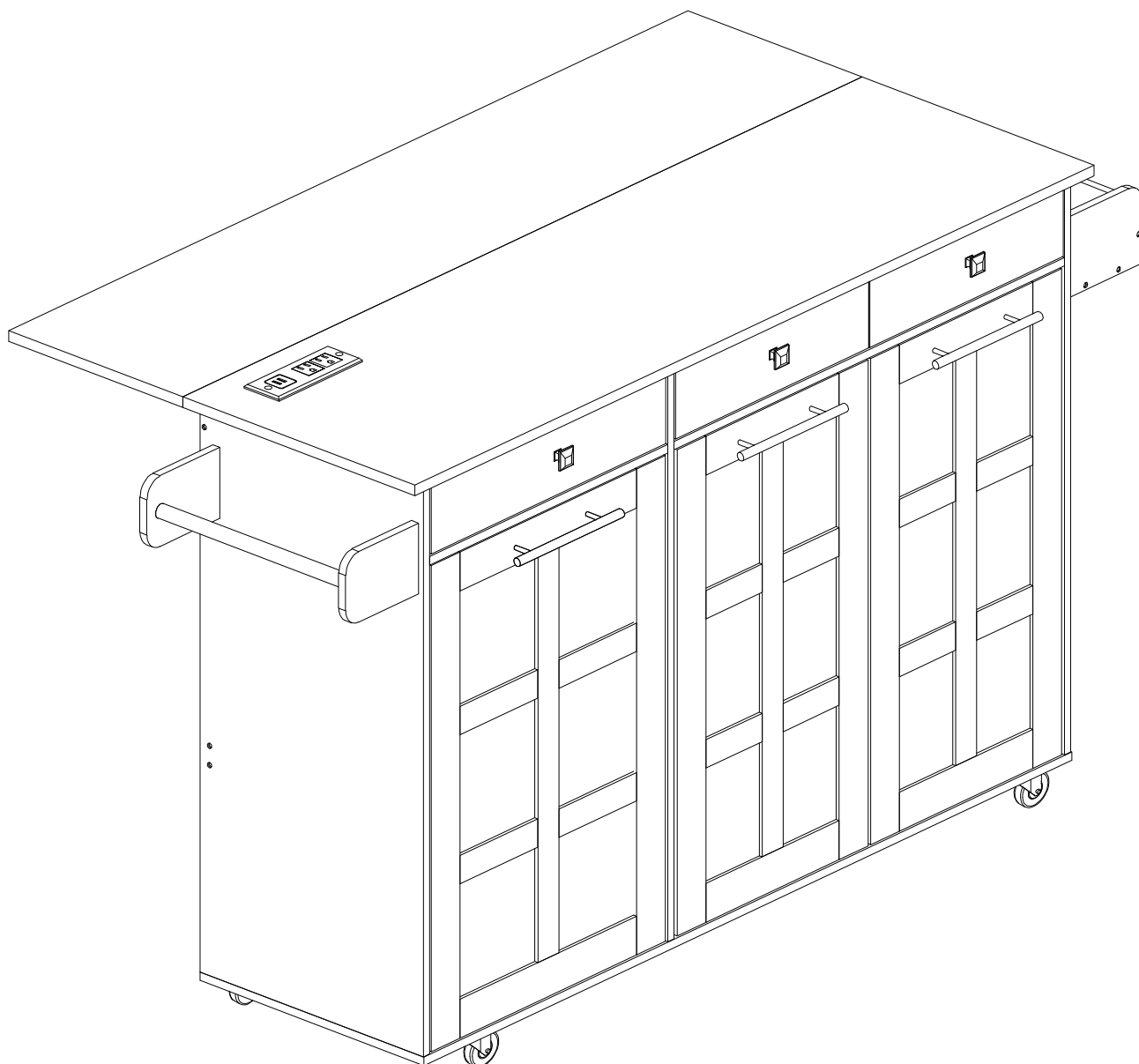


Assembly Instruction

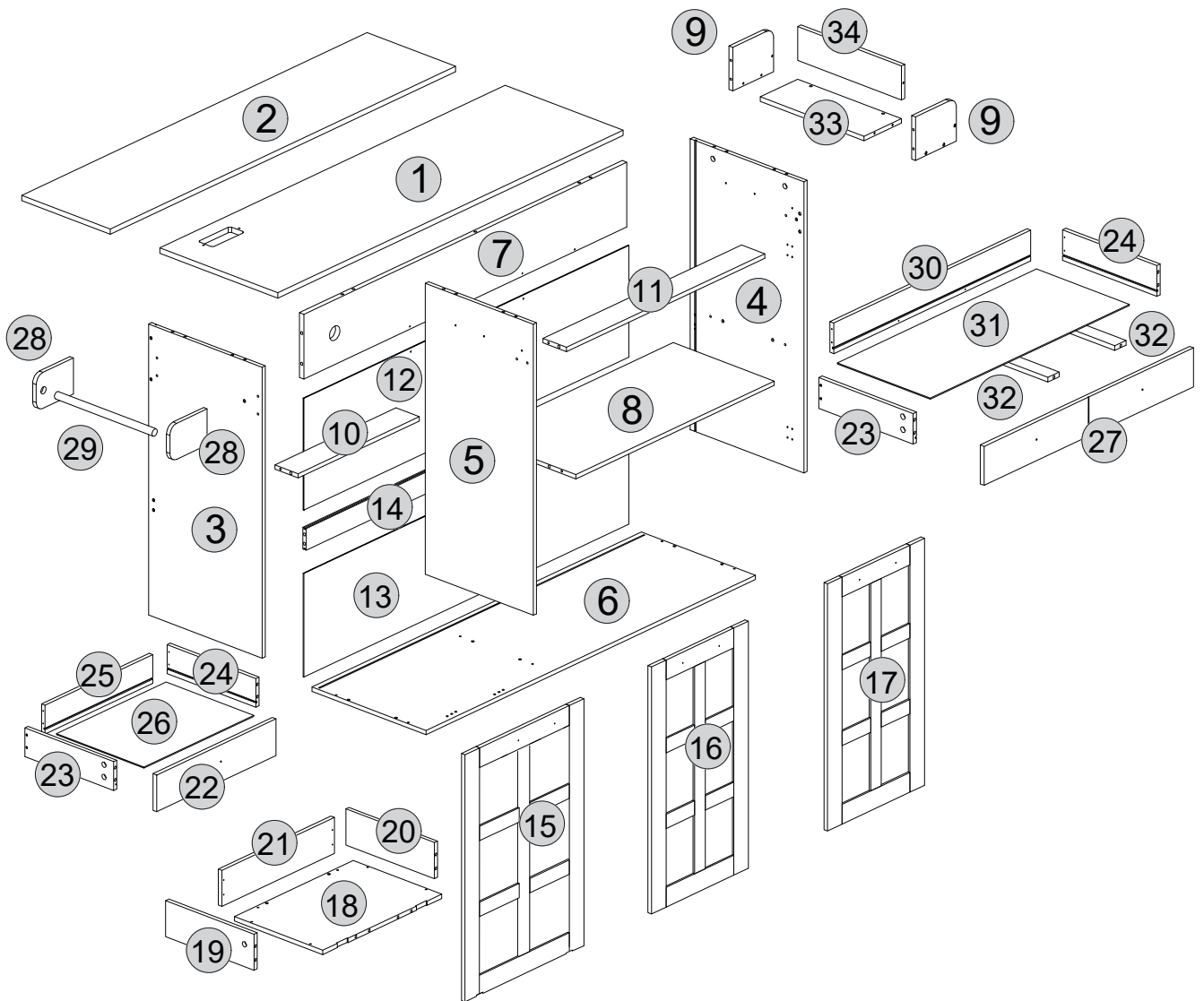


**PLEASE BE CAREFUL DO NOT DAMAGE THE HOLE POSITION
WHEN YOU USE POWER TOOLS !**

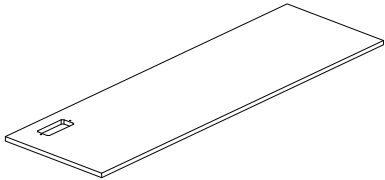
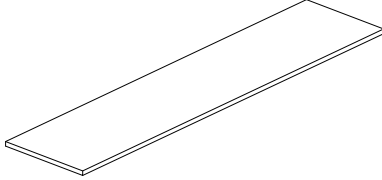
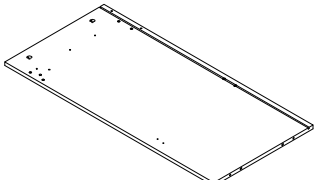
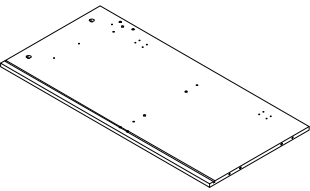
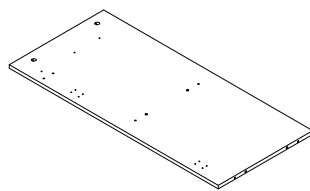
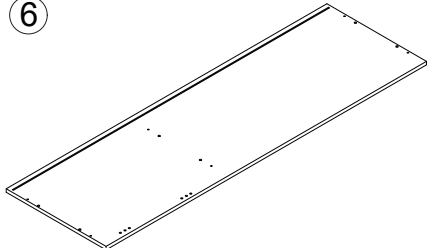
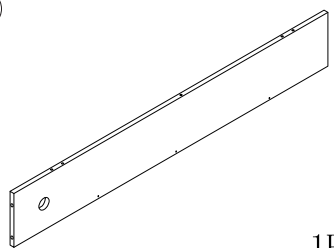
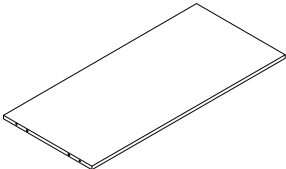
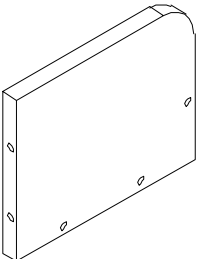
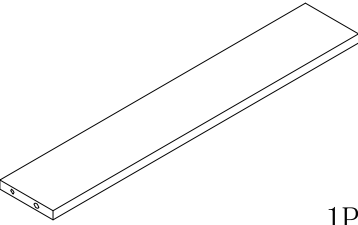
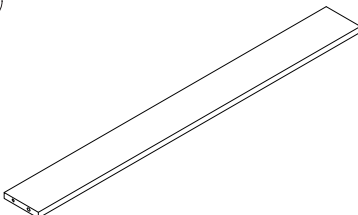
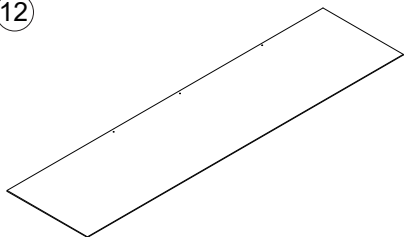
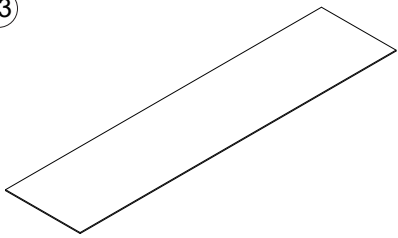
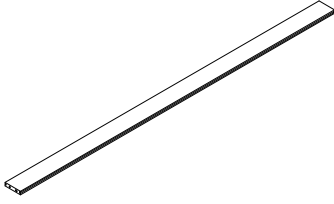
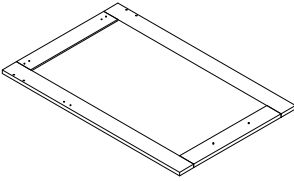
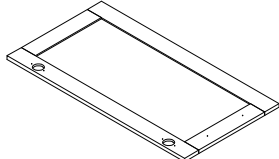
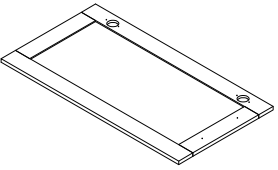
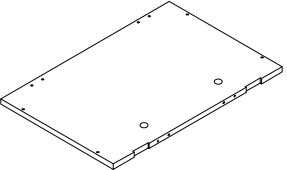


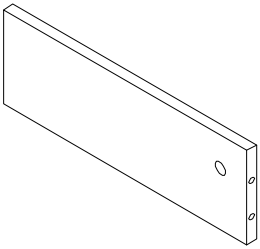
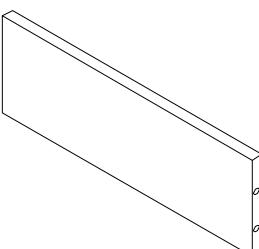
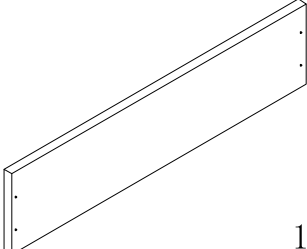
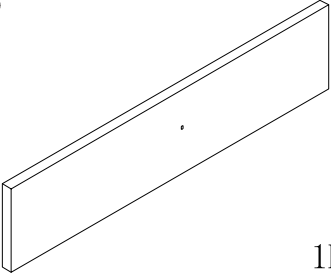
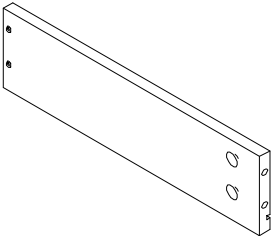
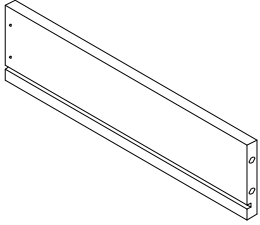
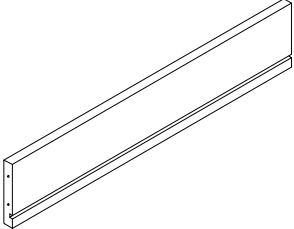
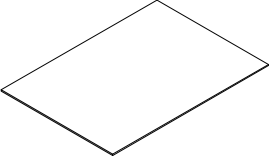
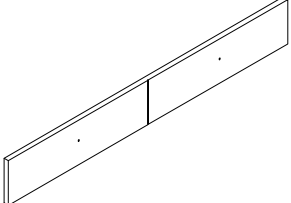
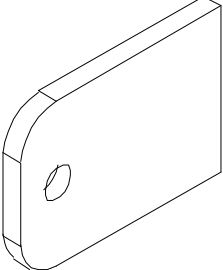
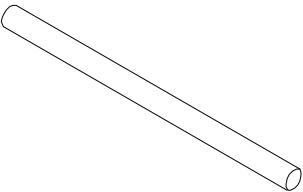
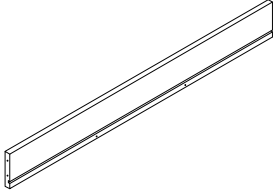
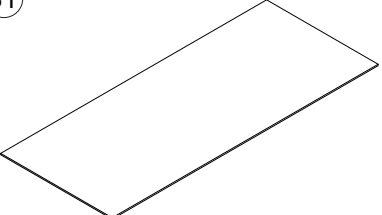
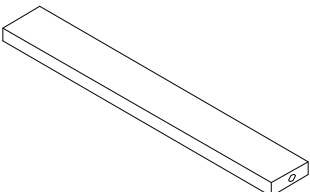
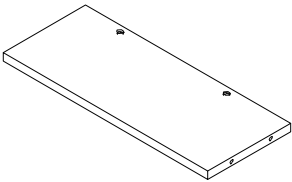
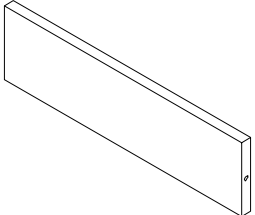
Any questions please contact us

EXPLODED DRAWING



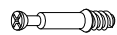
PARTS LIST

<p>①</p>  <p>1PC</p>	<p>②</p>  <p>1PC</p>	<p>③</p>  <p>1PC</p>
<p>④</p>  <p>1PC</p>	<p>⑤</p>  <p>1PC</p>	<p>⑥</p>  <p>1PC</p>
<p>⑦</p>  <p>1PC</p>	<p>⑧</p>  <p>1PC</p>	<p>⑨</p>  <p>2PCS</p>
<p>⑩</p>  <p>1PC</p>	<p>⑪</p>  <p>1PC</p>	<p>⑫</p>  <p>1PC</p>
<p>⑬</p>  <p>1PC</p>	<p>⑭</p>  <p>1PC</p>	<p>⑮</p>  <p>1PC</p>
<p>⑯</p>  <p>1PC</p>	<p>⑰</p>  <p>1PC</p>	<p>⑱</p>  <p>1PC</p>

<p>①9</p>  <p>1PC</p>	<p>②0</p>  <p>1PC</p>	<p>②1</p>  <p>1PC</p>
<p>②2</p>  <p>1PC</p>	<p>②3</p>  <p>2PCS</p>	<p>②4</p>  <p>2PCS</p>
<p>②5</p>  <p>1PC</p>	<p>②6</p>  <p>1PC</p>	<p>②7</p>  <p>1PC</p>
<p>②8</p>  <p>2PCS</p>	<p>②9</p>  <p>1PC</p>	<p>③0</p>  <p>1PC</p>
<p>③1</p>  <p>1PC</p>	<p>③2</p>  <p>2PCS</p>	<p>③3</p>  <p>1PC</p>
<p>③4</p>  <p>1PC</p>		

Accessory List

A×31



∅ 6×35mm

B×31



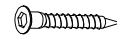
∅ 15×9.5mm

C×30



∅ 6×30mm

D×38



∅ 5×45mm

E×84



∅ 3.5×12mm

F×1



G×4

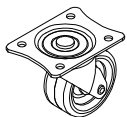


H×3

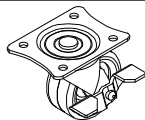


∅ 4×14mm

I×3



J×2

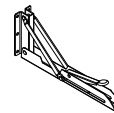


K×18



∅ 4×16mm

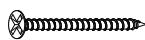
L×2



M×2

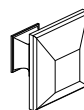


N×10

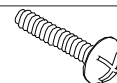


∅ 4×30mm

O×3

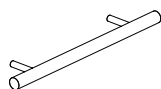


P×3



∅ 4×18mm

Q×3

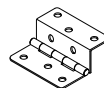


R×6



∅ 4×20mm

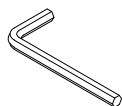
S×2



T×1



U×1



CR×2



300mm

CL×2



300mm

DR×2



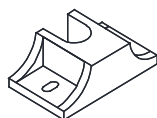
300mm

DL×2

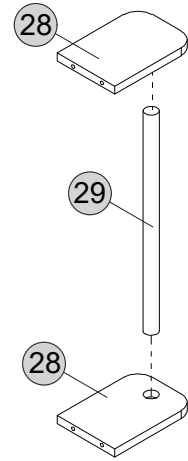
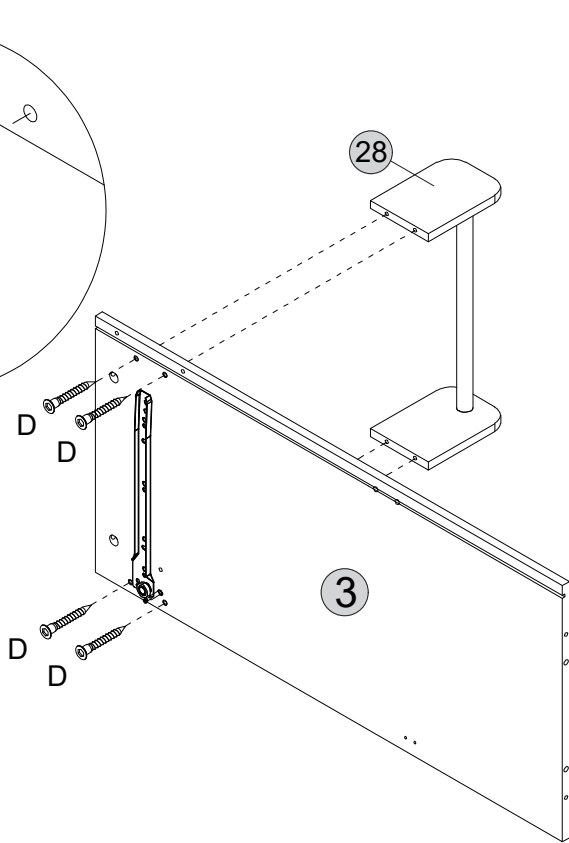
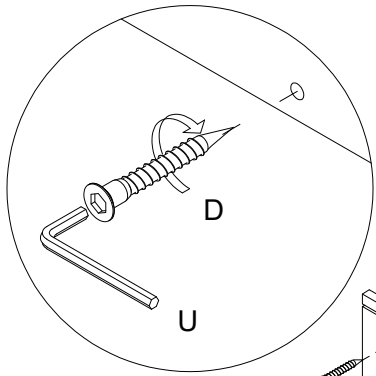


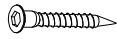
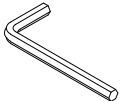
300mm

V×1

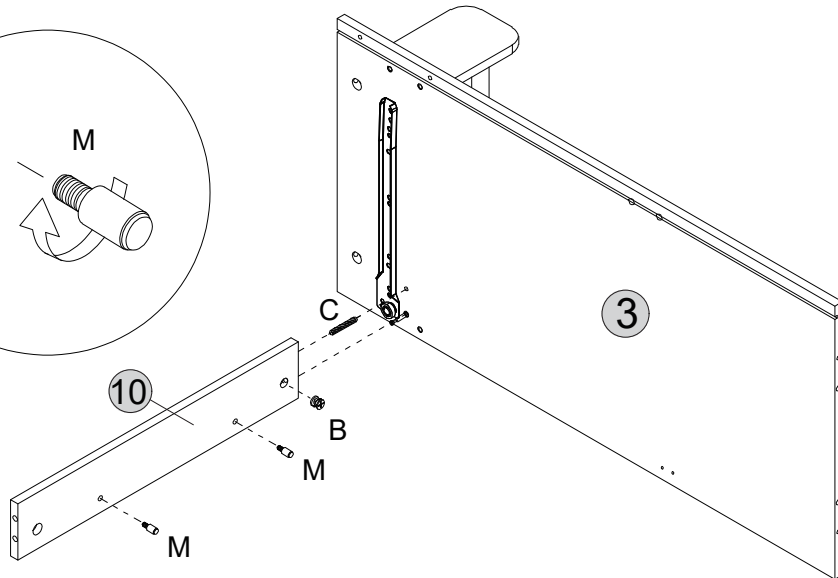
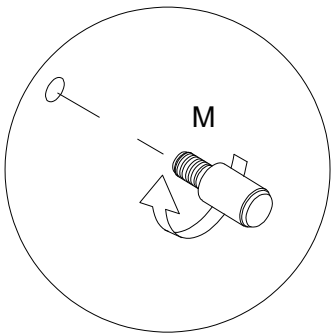





3



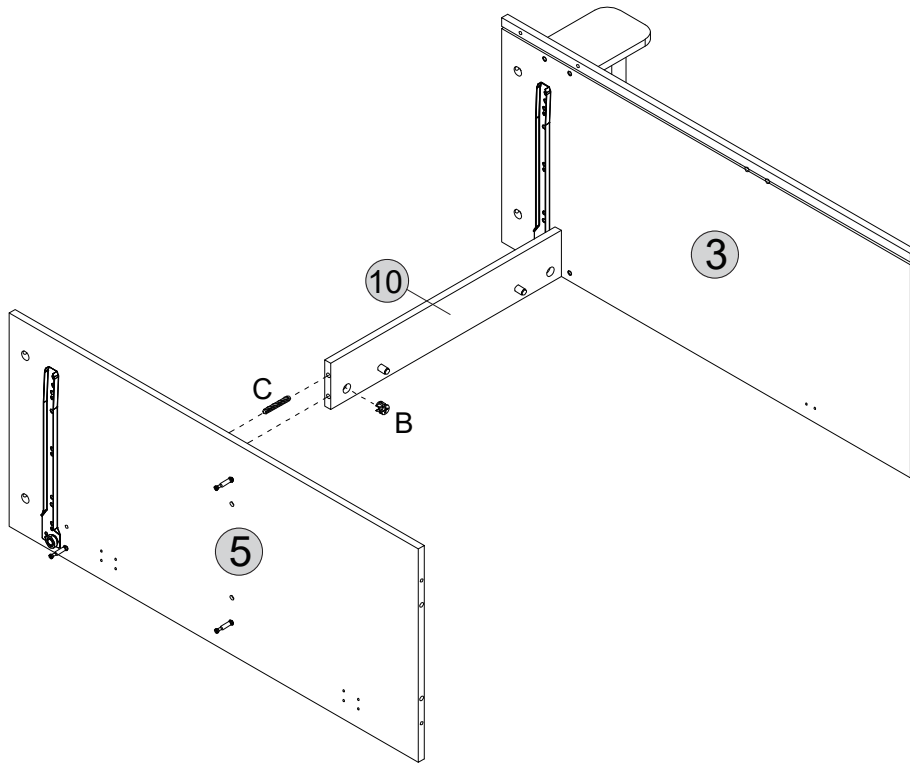
D×4	U×1
 Ø5×45mm	



4



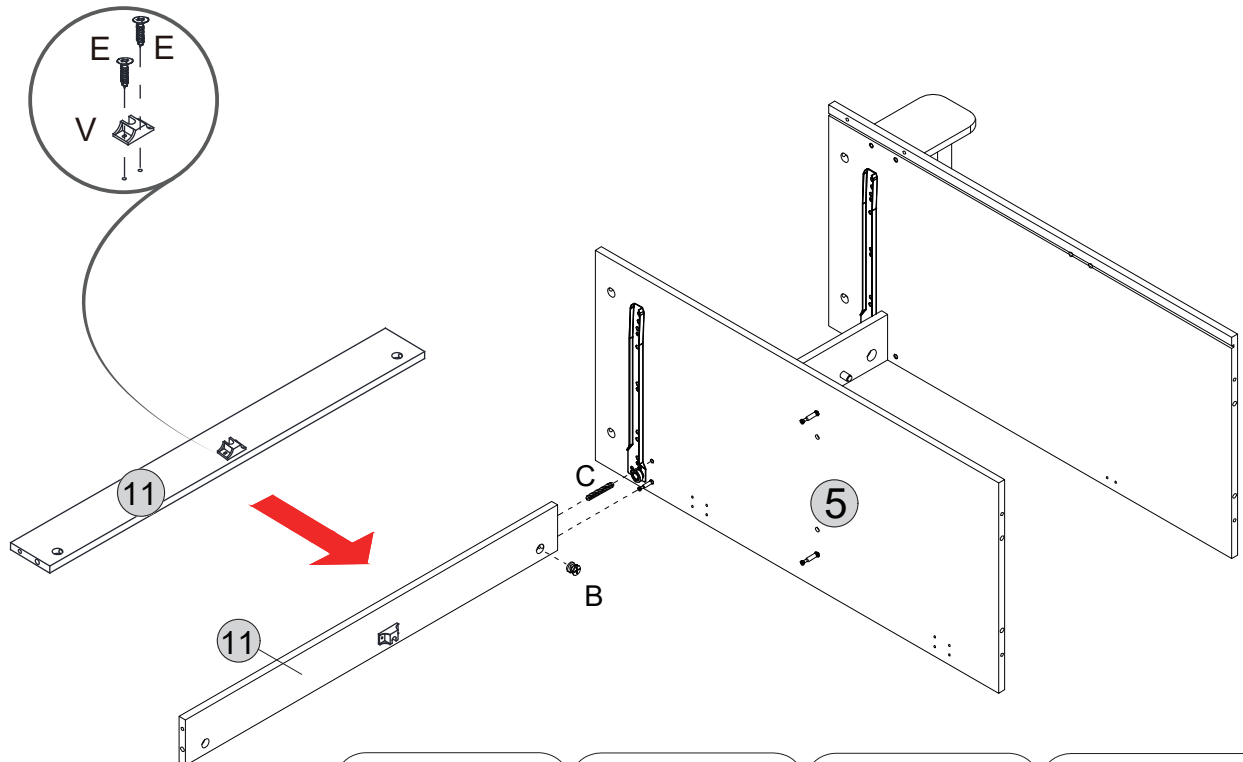
C×1	B×1	M×2
 Ø6×30mm	 Ø15×9.5mm	





5



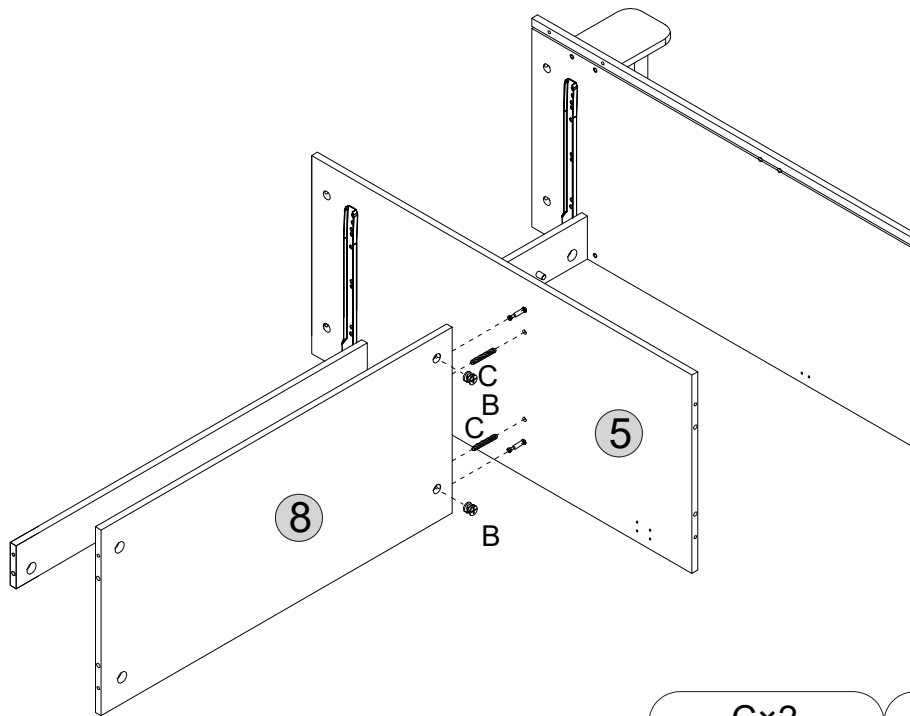
C×1	B×1
	
Ø 6×30mm	Ø 15×9.5mm

6



C×1	B×1	E×2	V×1
			
Ø 6×30mm	Ø 15×9.5mm	Ø 3.5×12mm	

7



C×2



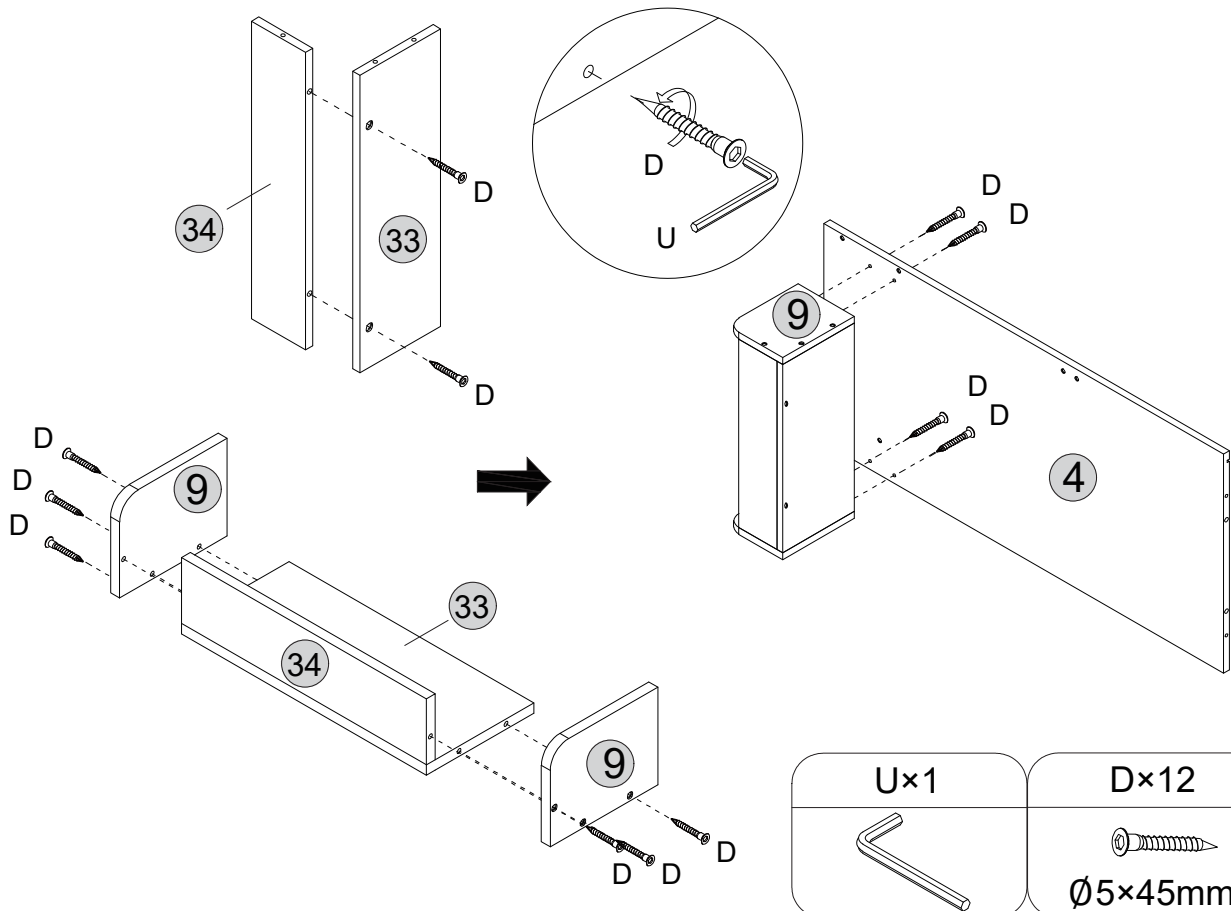
Ø 6×30mm

B×2

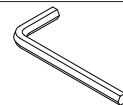


Ø 15×9.5mm

8



U×1

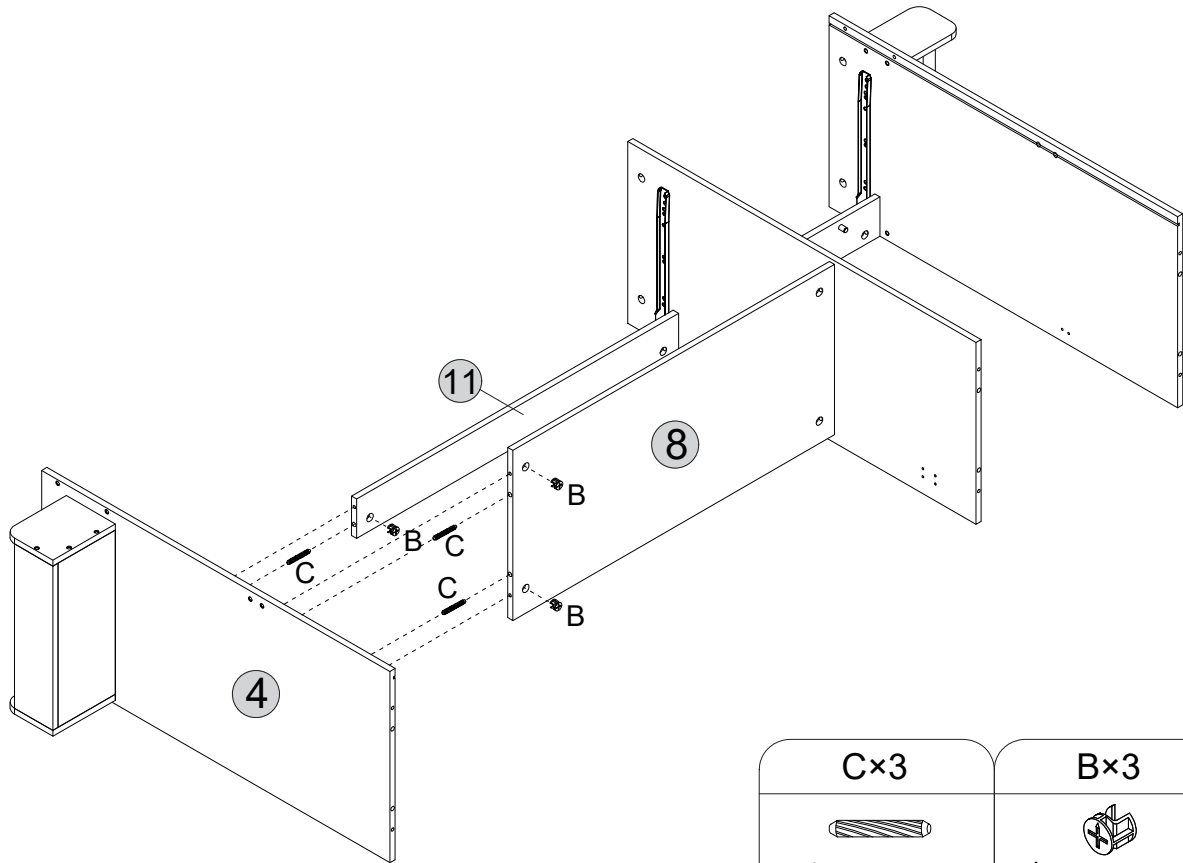



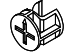
D×12

Ø 5×45mm

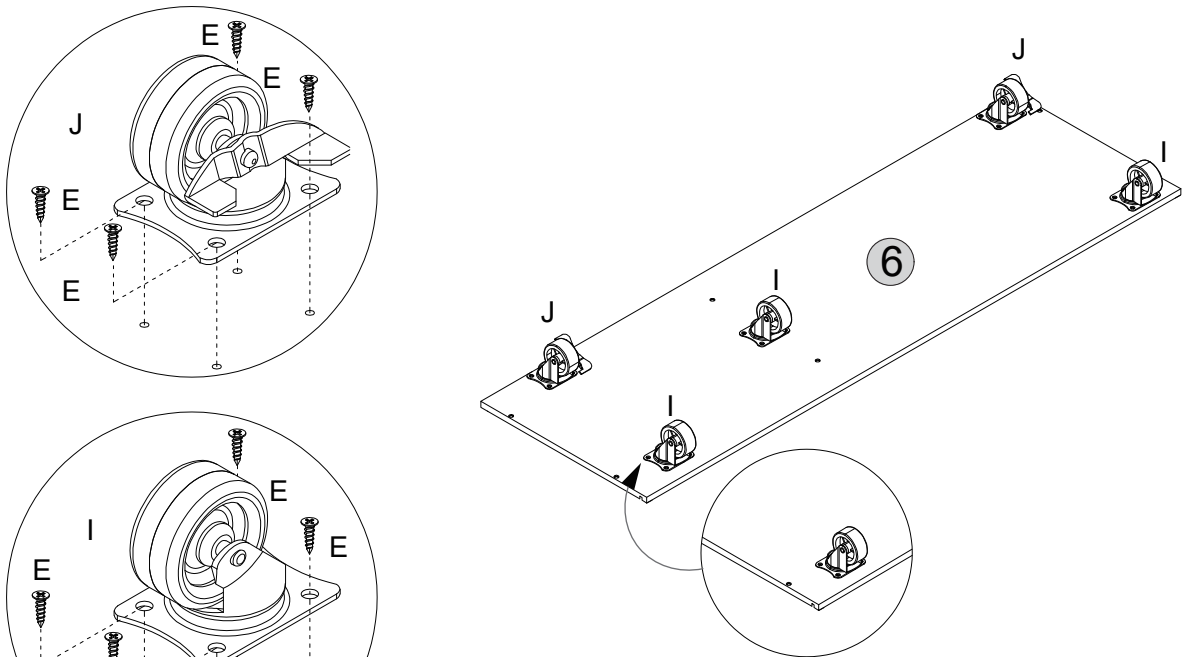
8


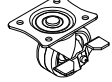

9



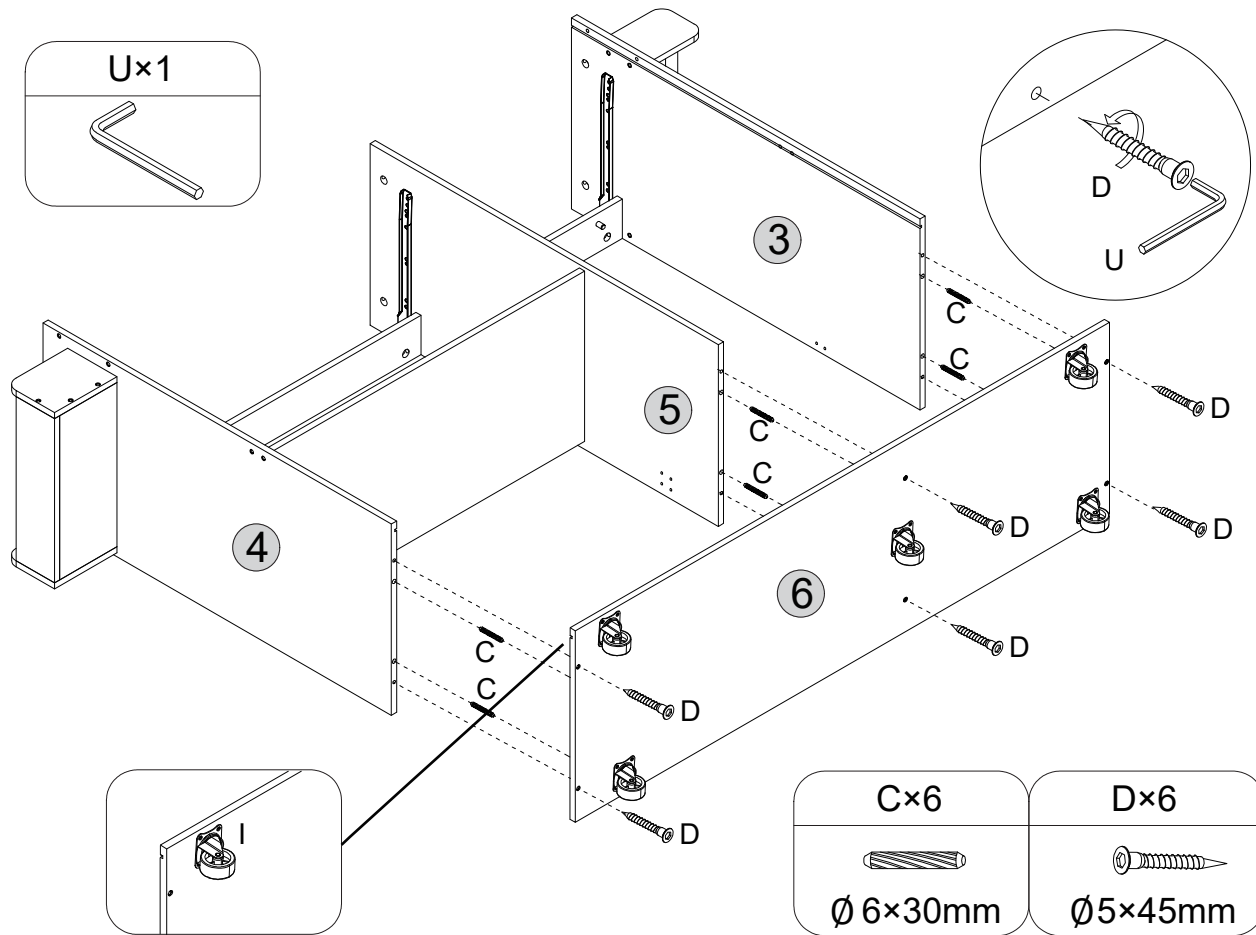
C×3	B×3
	
Ø 6×30mm	Ø 15×9.5mm

10

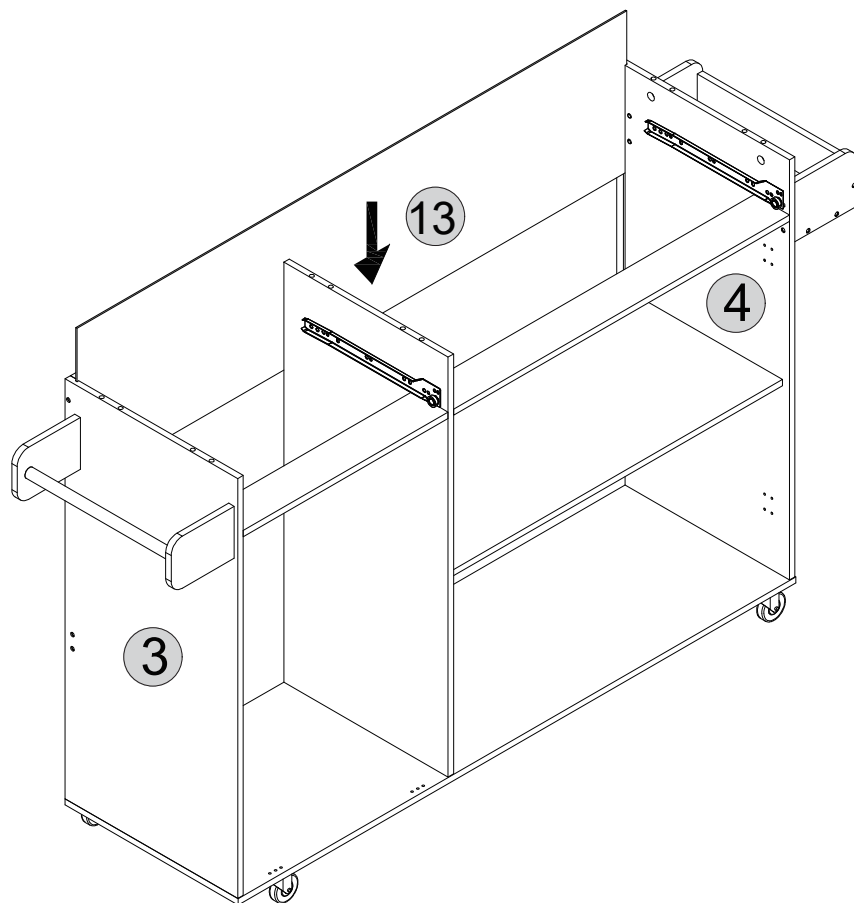


I×3	J×2	E×20
		
		Ø 3.5×12mm

11

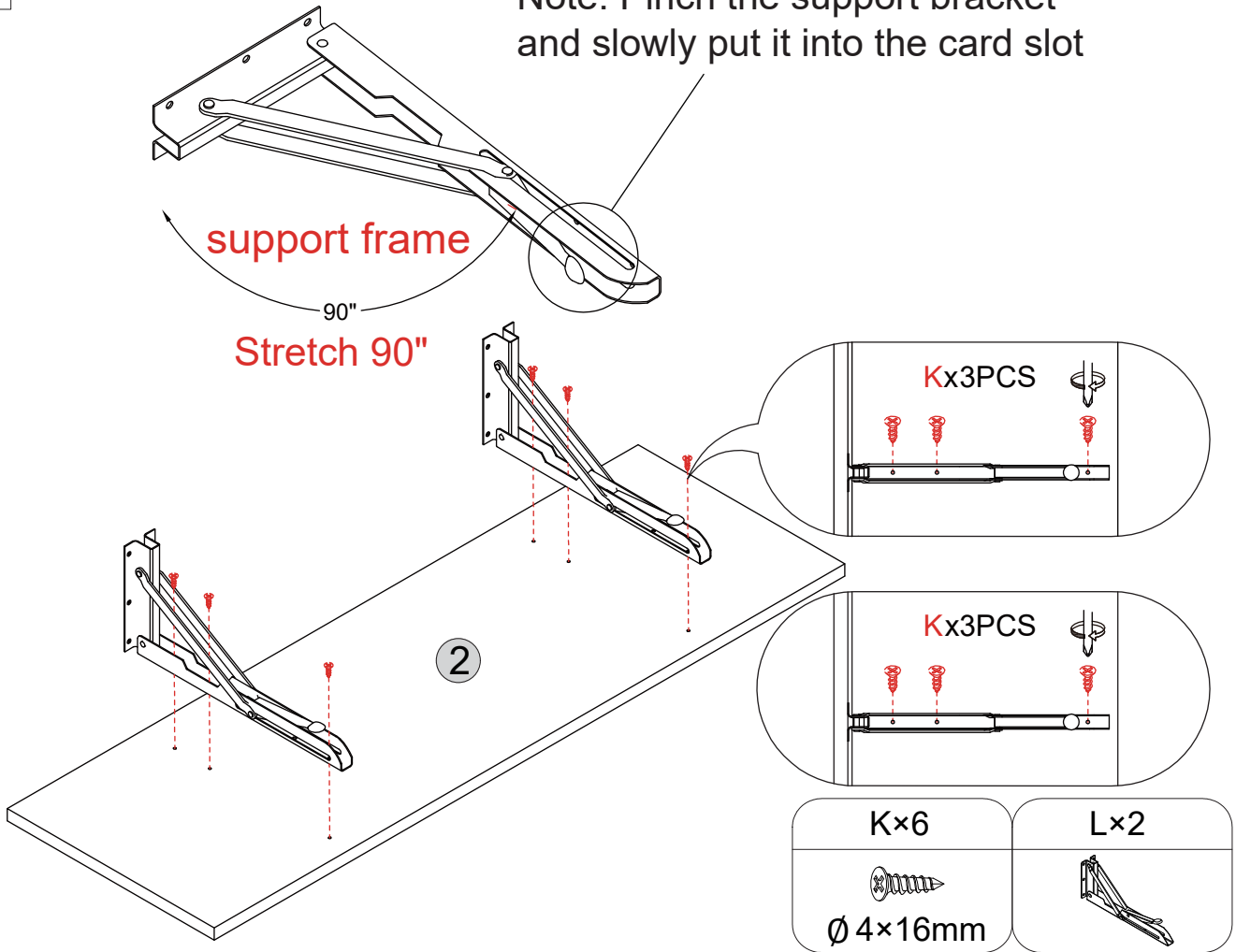


12

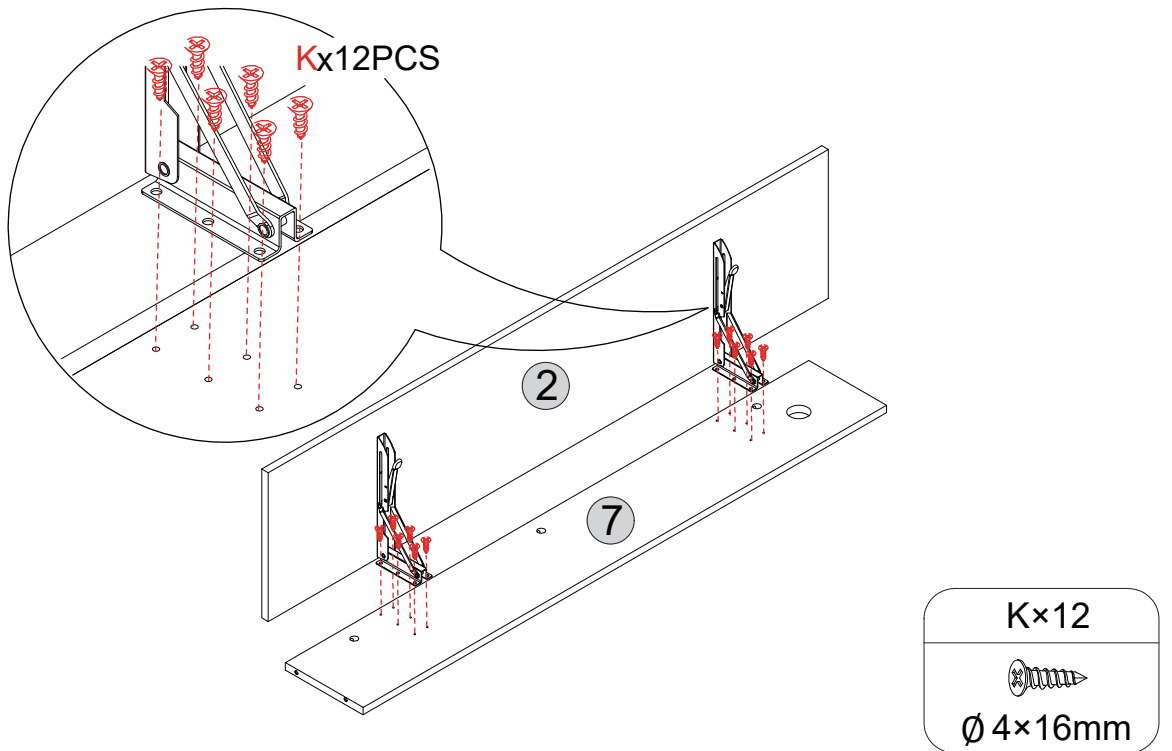


13

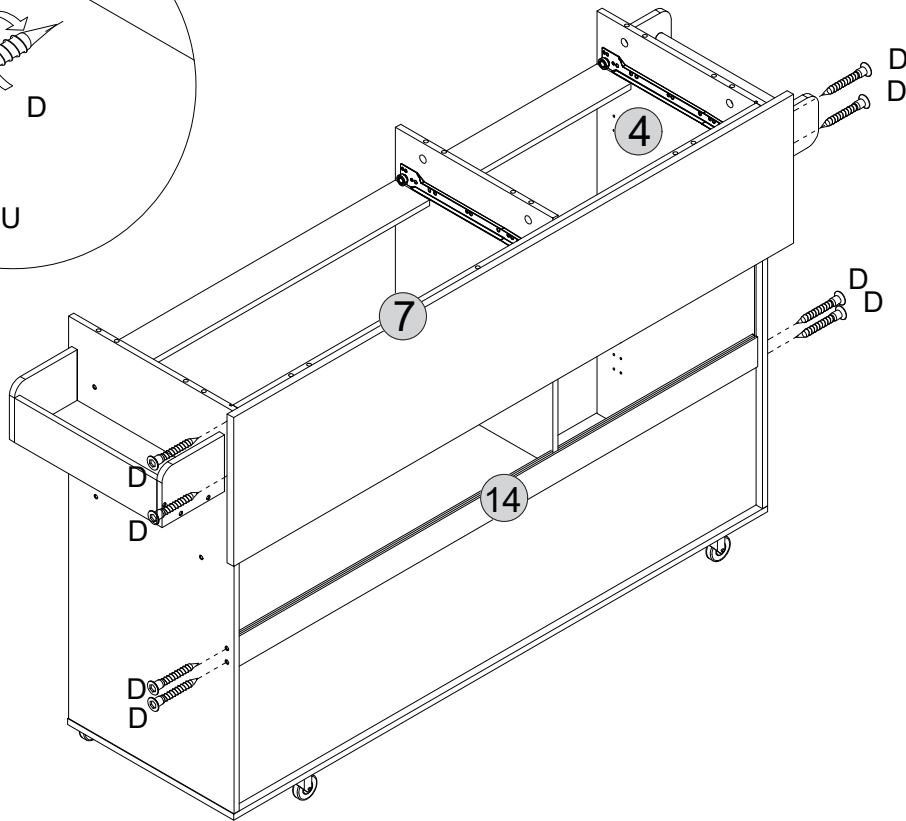
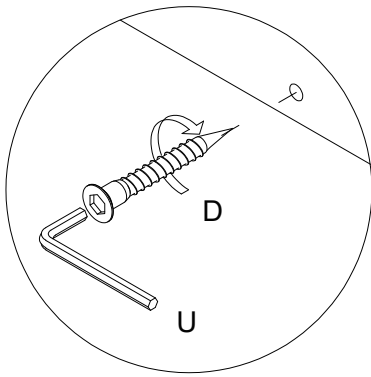
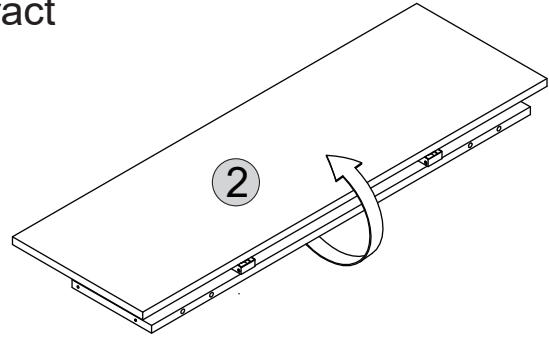
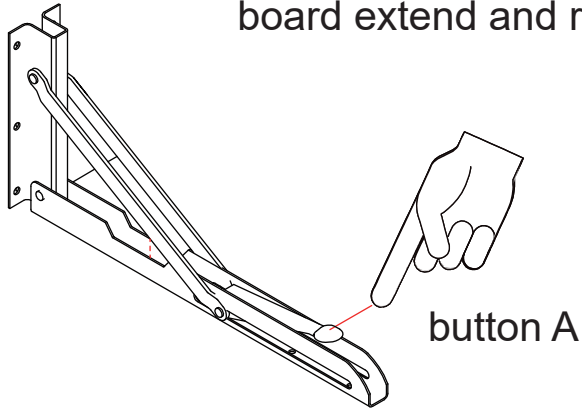
Note: Pinch the support bracket and slowly put it into the card slot

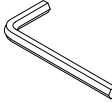



14

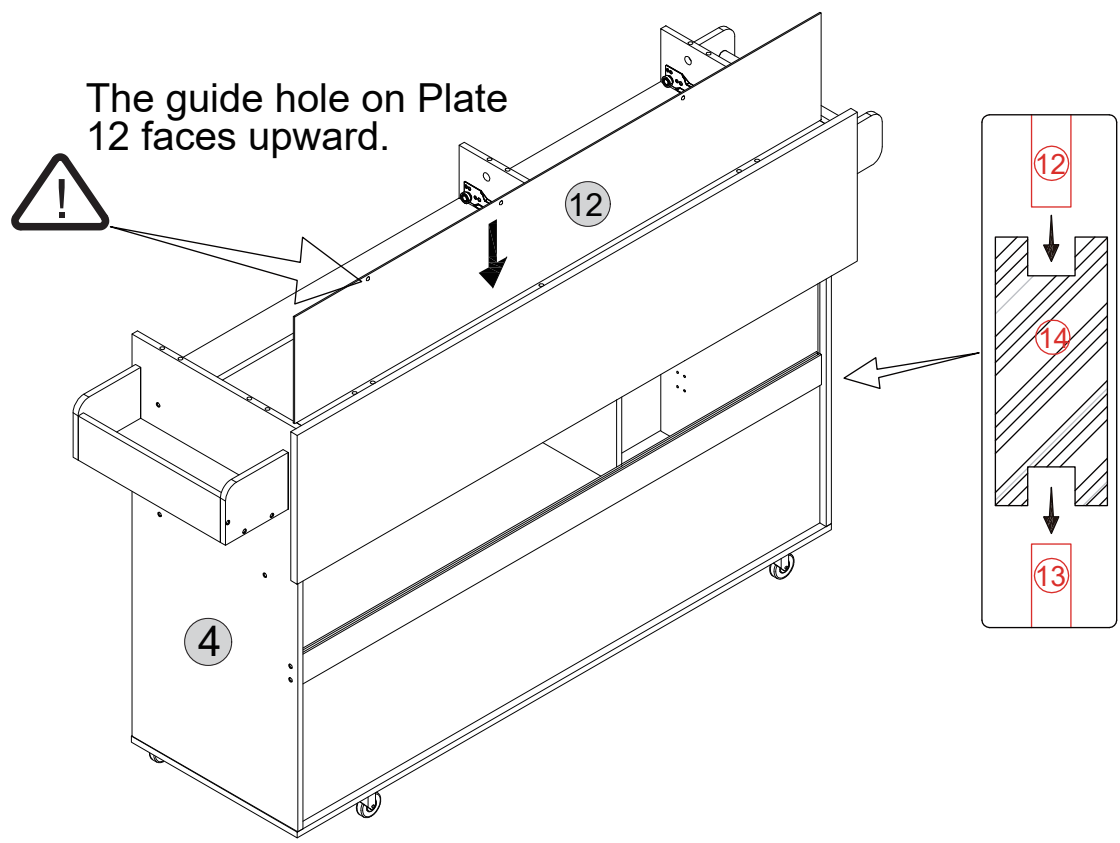


Note: I. While holding down the A key, lift it up slightly, then press it down to make the No.2 board extend and retract

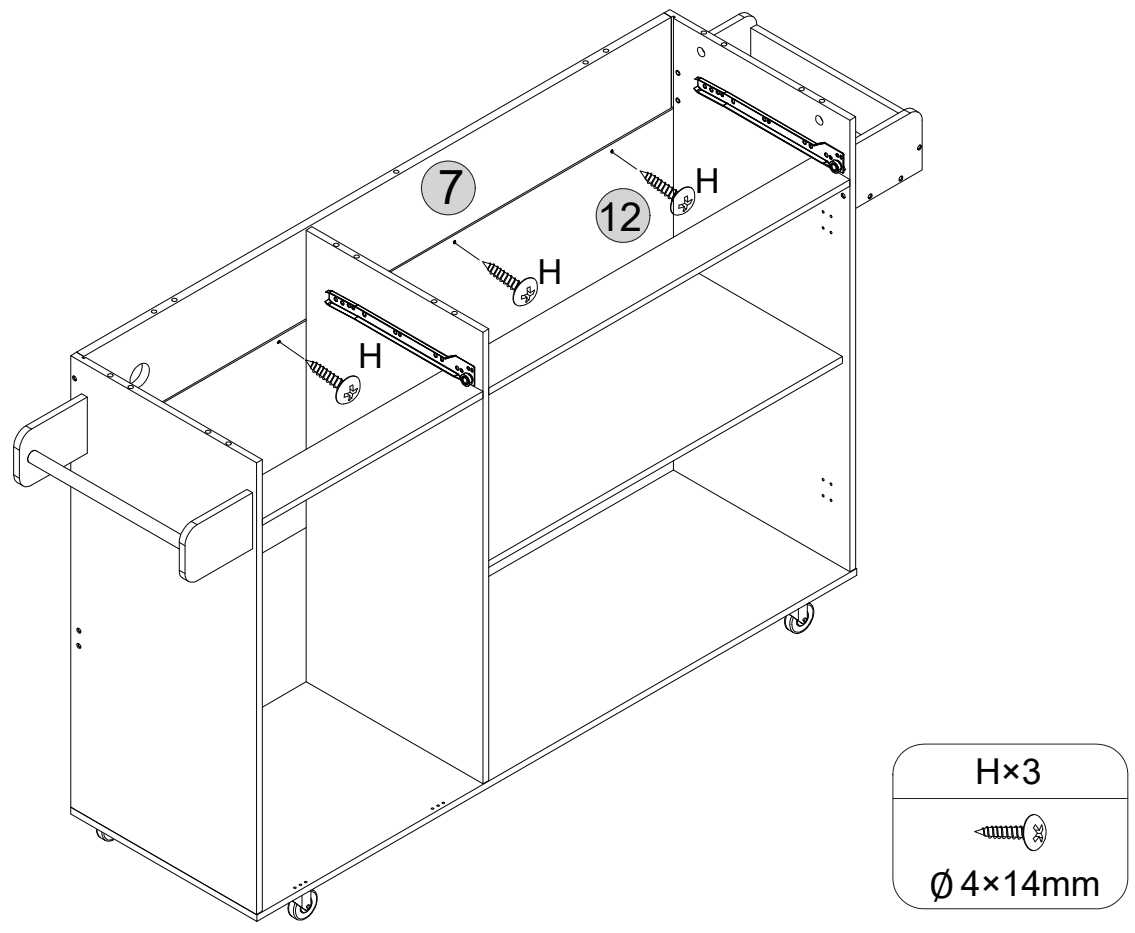


U×1	D×8
	
	Ø5×45mm

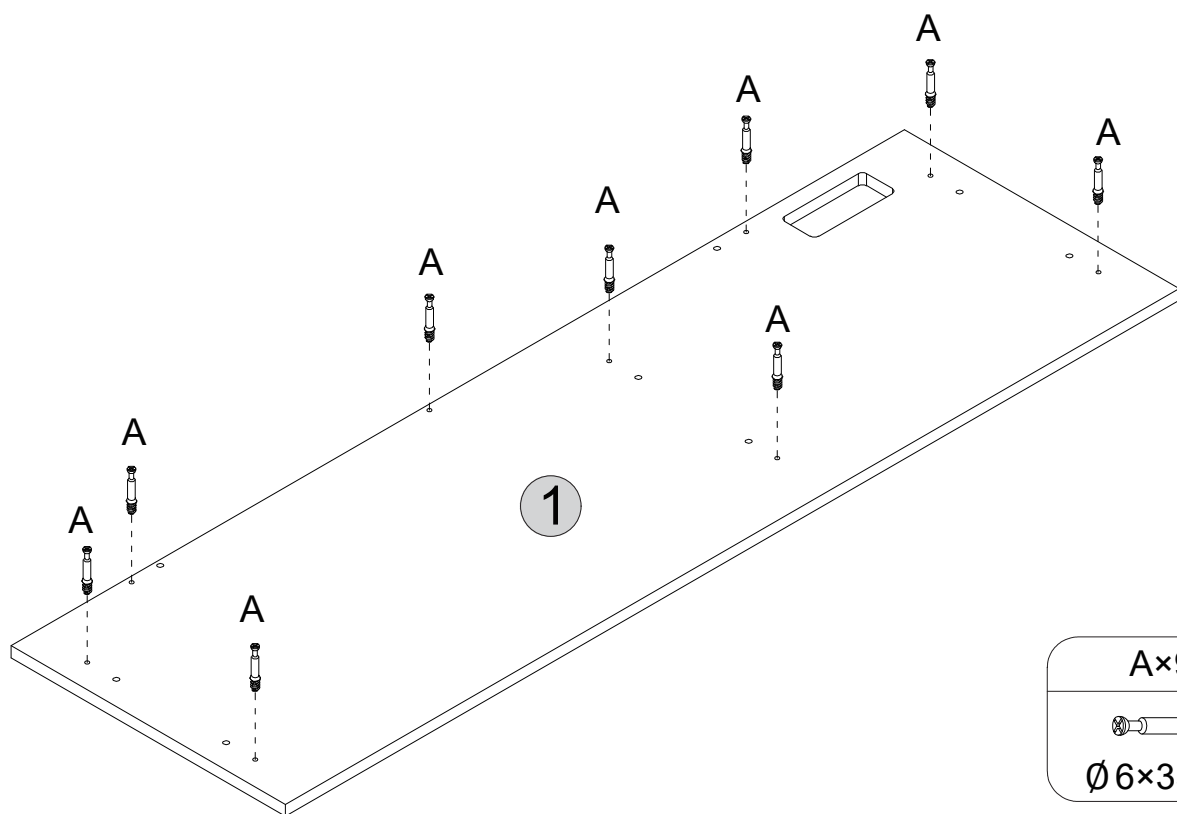
17



16



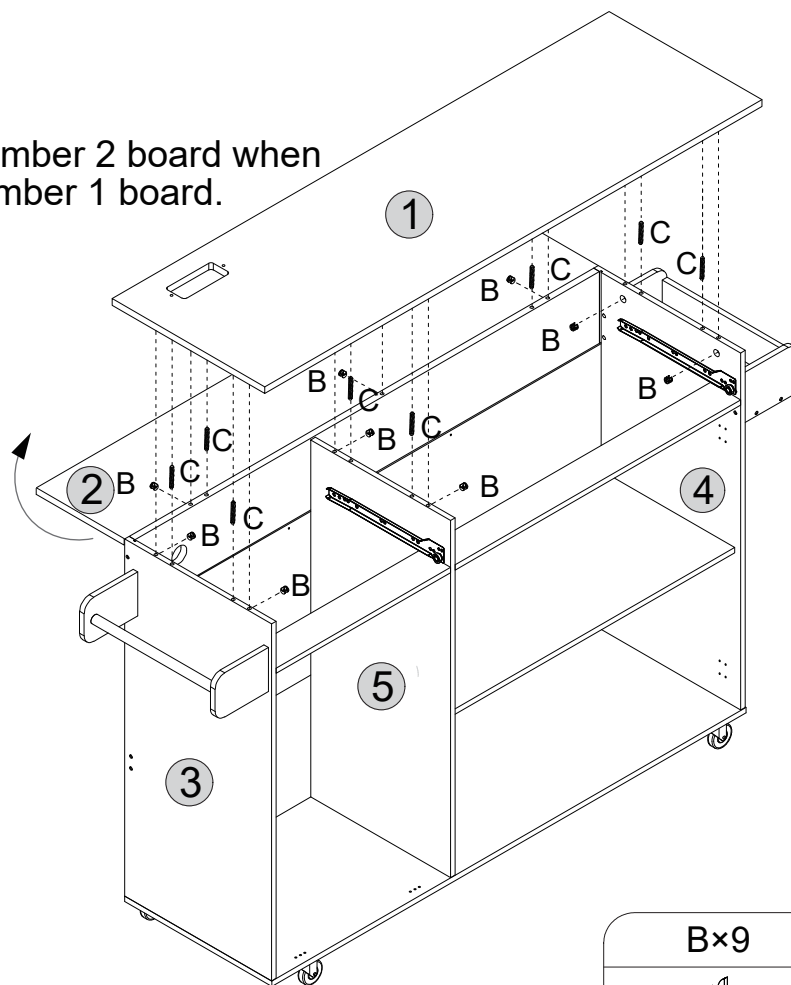
19



A x 9
Ø 6 x 35 mm

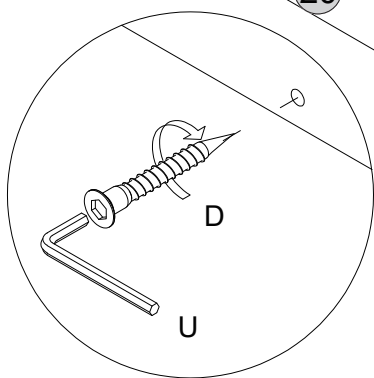
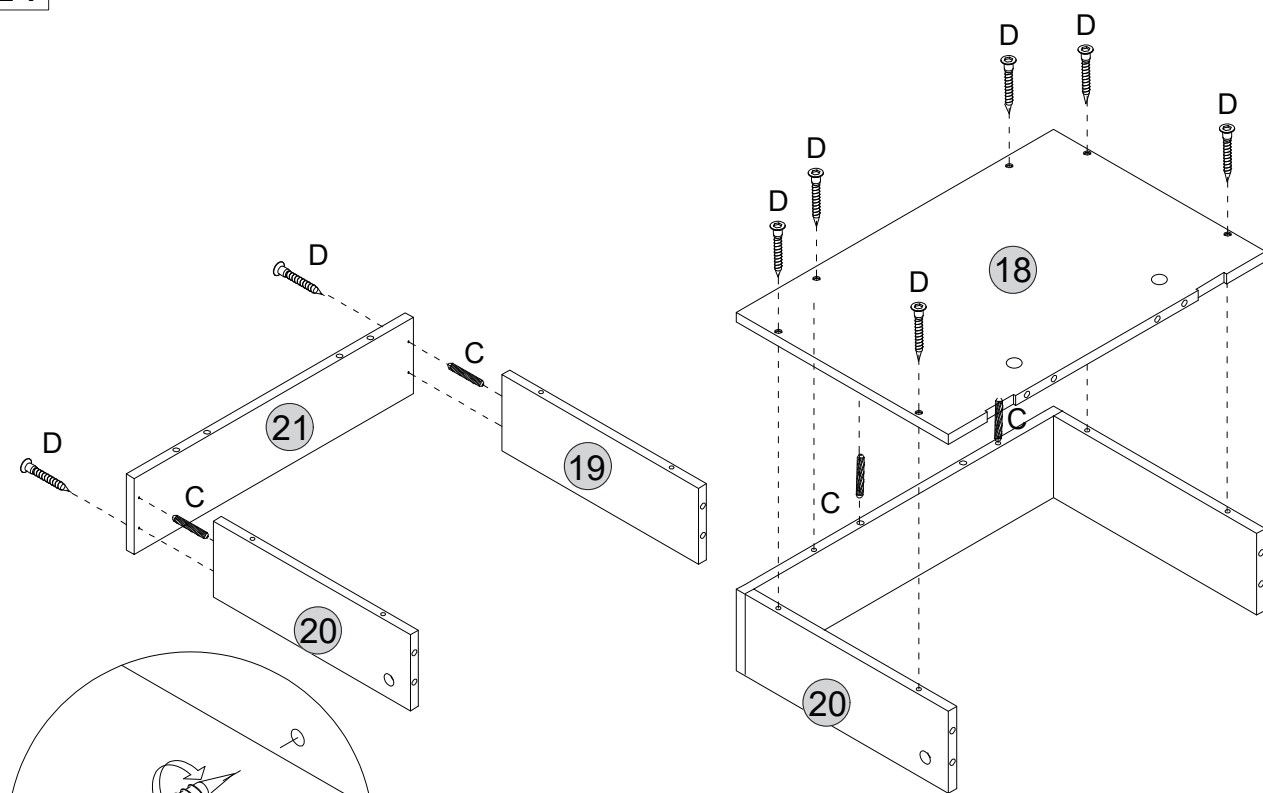
20

Please open number 2 board when you lock the number 1 board.



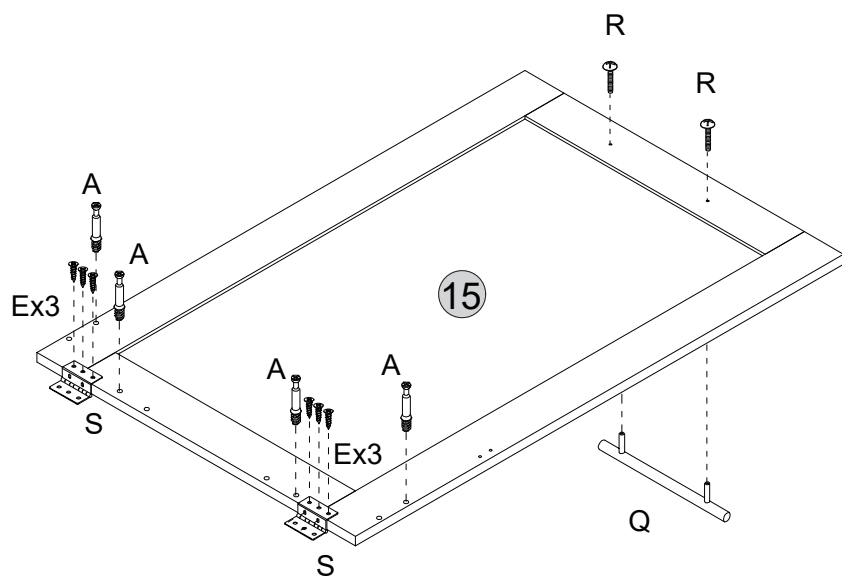
B x 9
C x 8
Ø 15 x 9.5 mm
Ø 6 x 30 mm

21



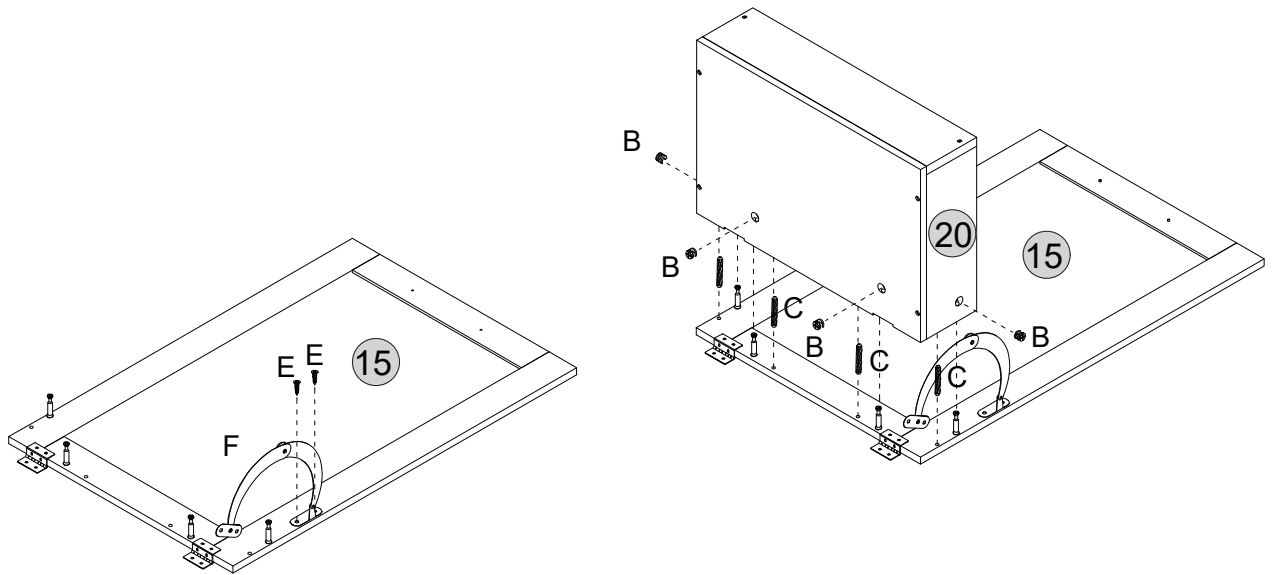
U×1	C×4	D×8
	Ø 6×30mm	Ø 5×45mm





22



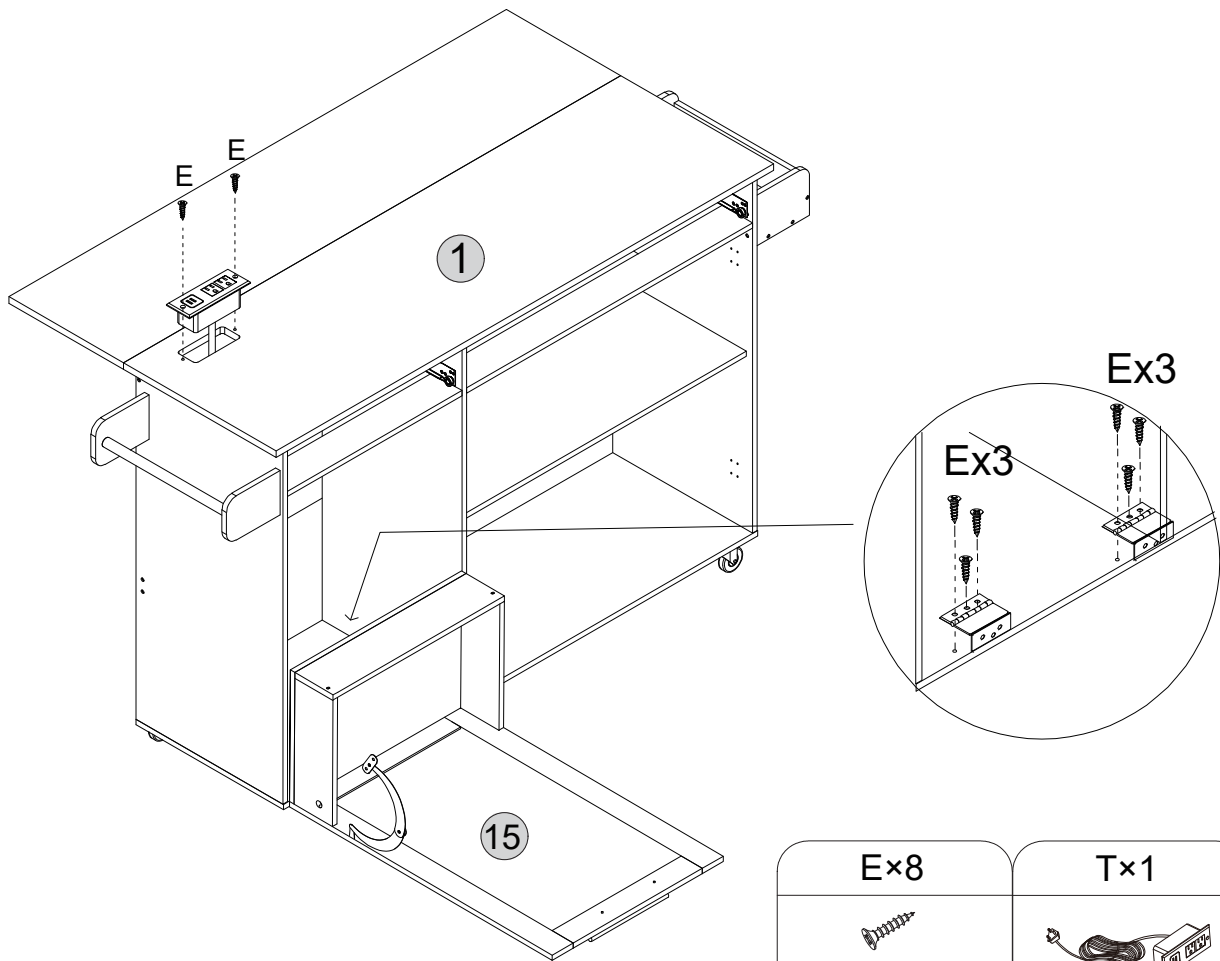
A×4	S×2	E×6	Q×1	R×2
Ø 6×35mm		Ø 3.5×12mm		Ø 4×20mm



23



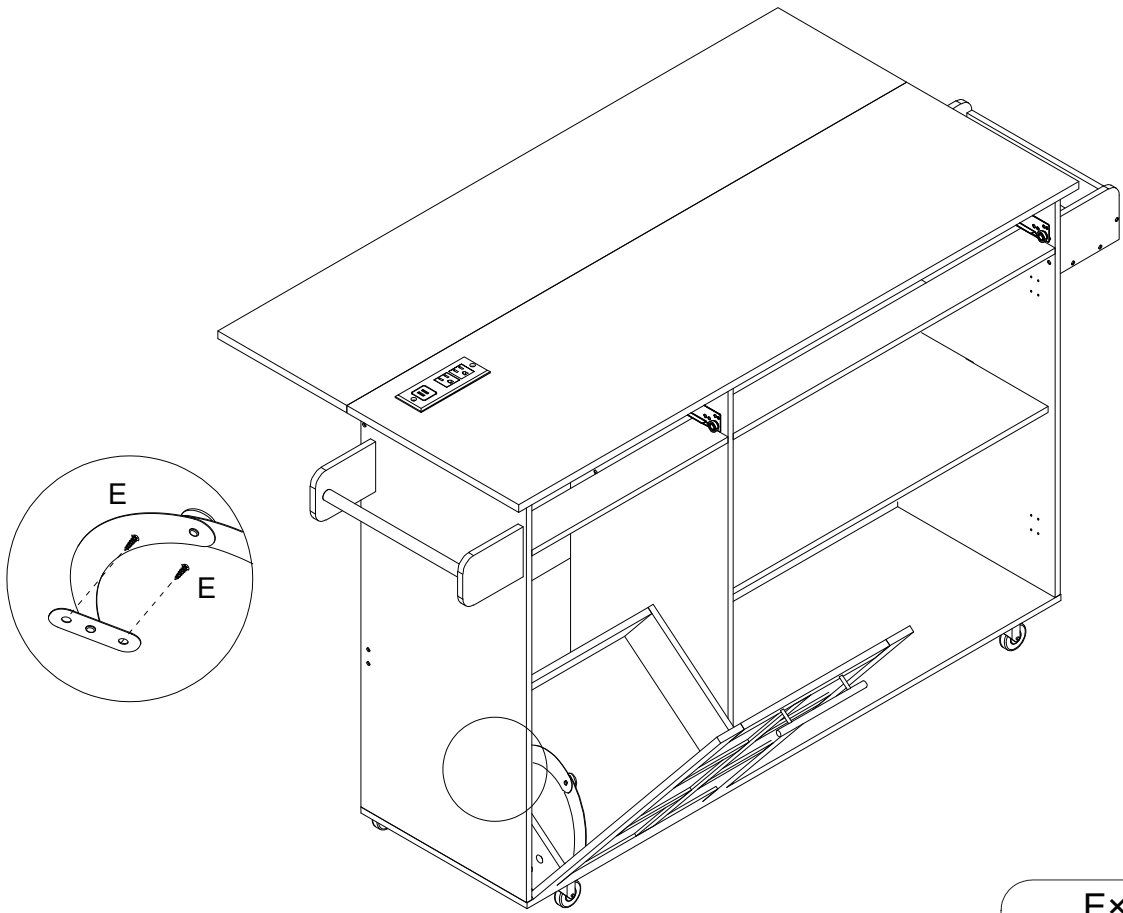
C×4	E×2	F×1	B×4
			
Ø 6×30mm	Ø 3.5×12mm		Ø 15×9.5mm


24



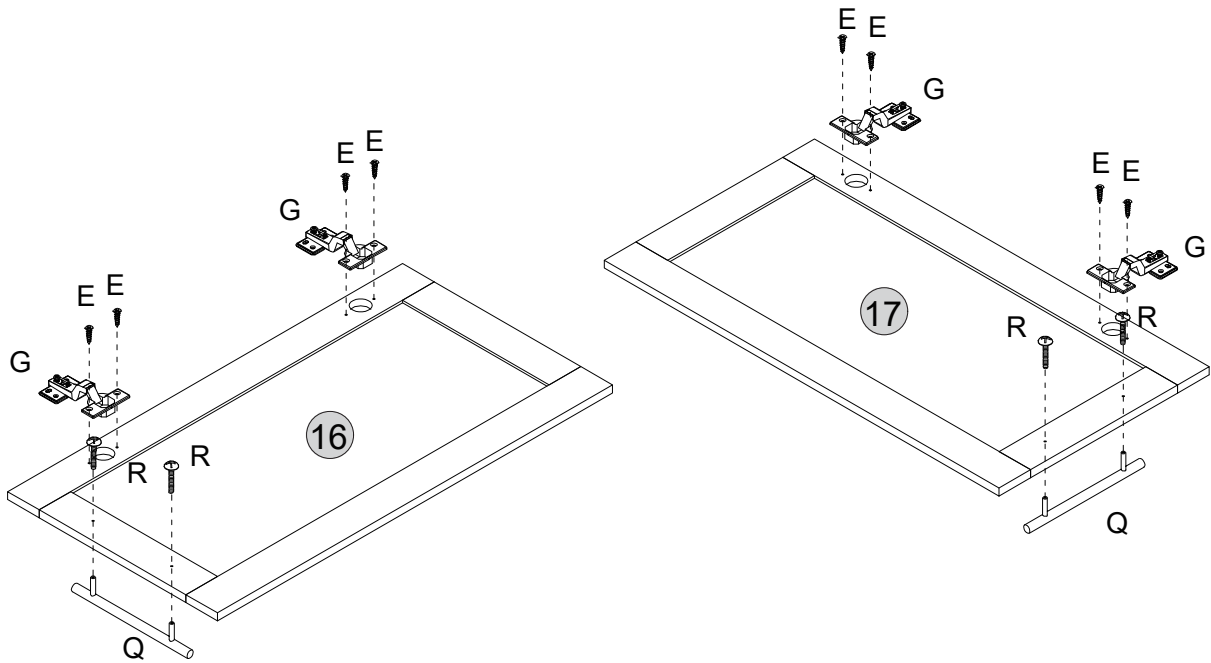
E×8	T×1
	
Ø 3.5×12mm	

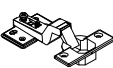

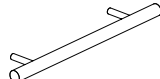

25

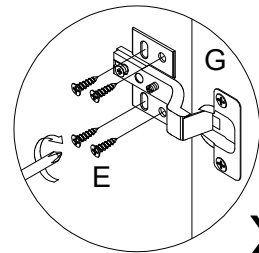
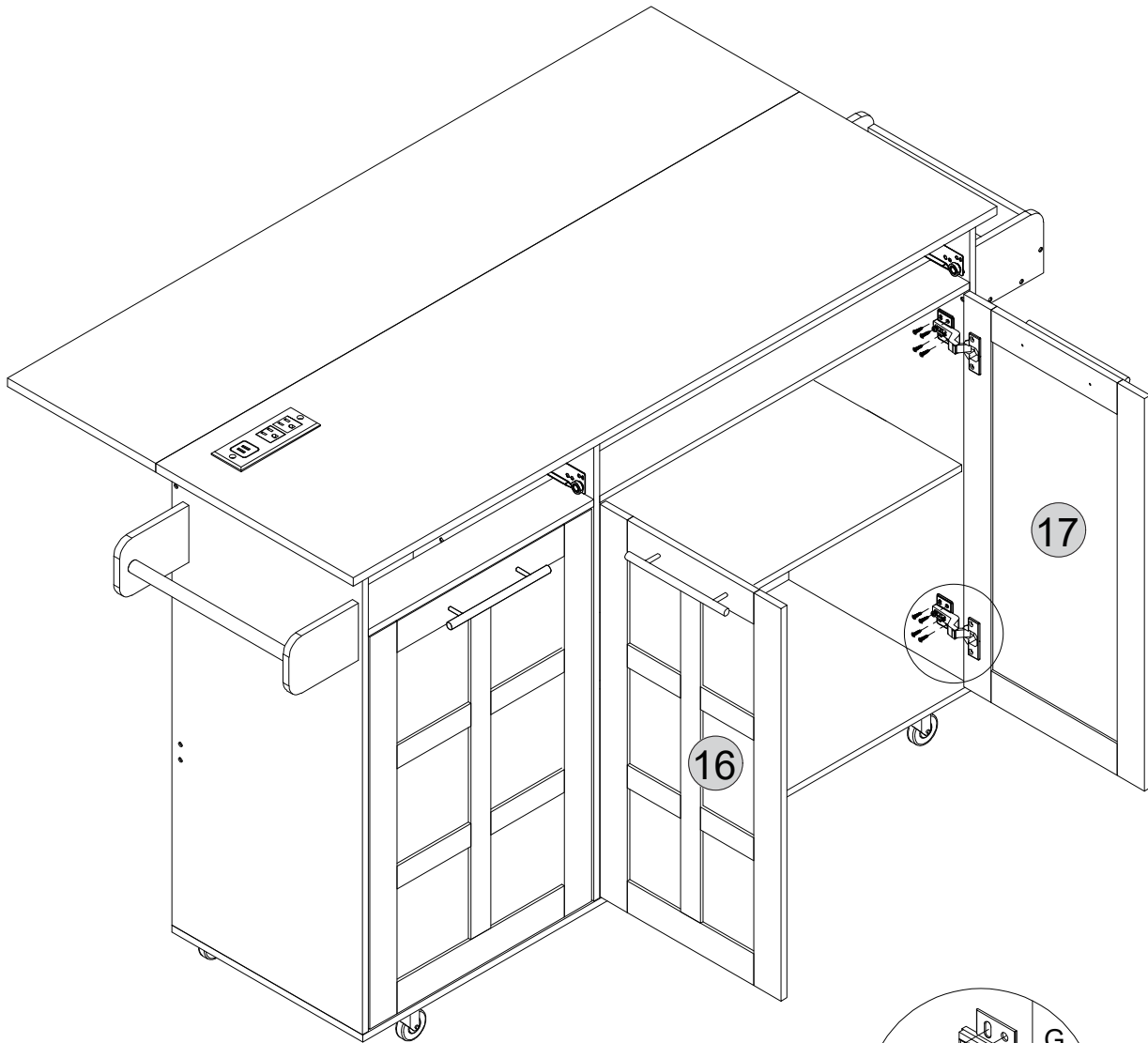


E×2

Ø3.5×12mm

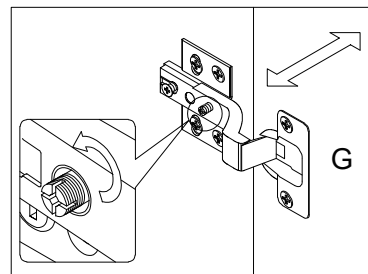
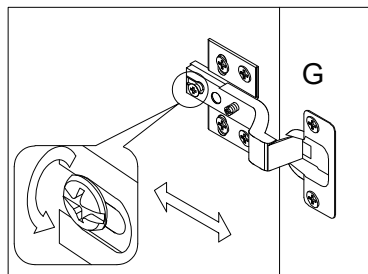
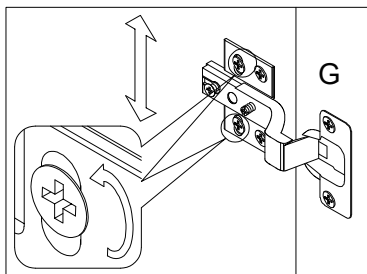
26




G×4	E×8	Q×2	R×4
			
	Ø3.5×12mm		Ø4×20mm

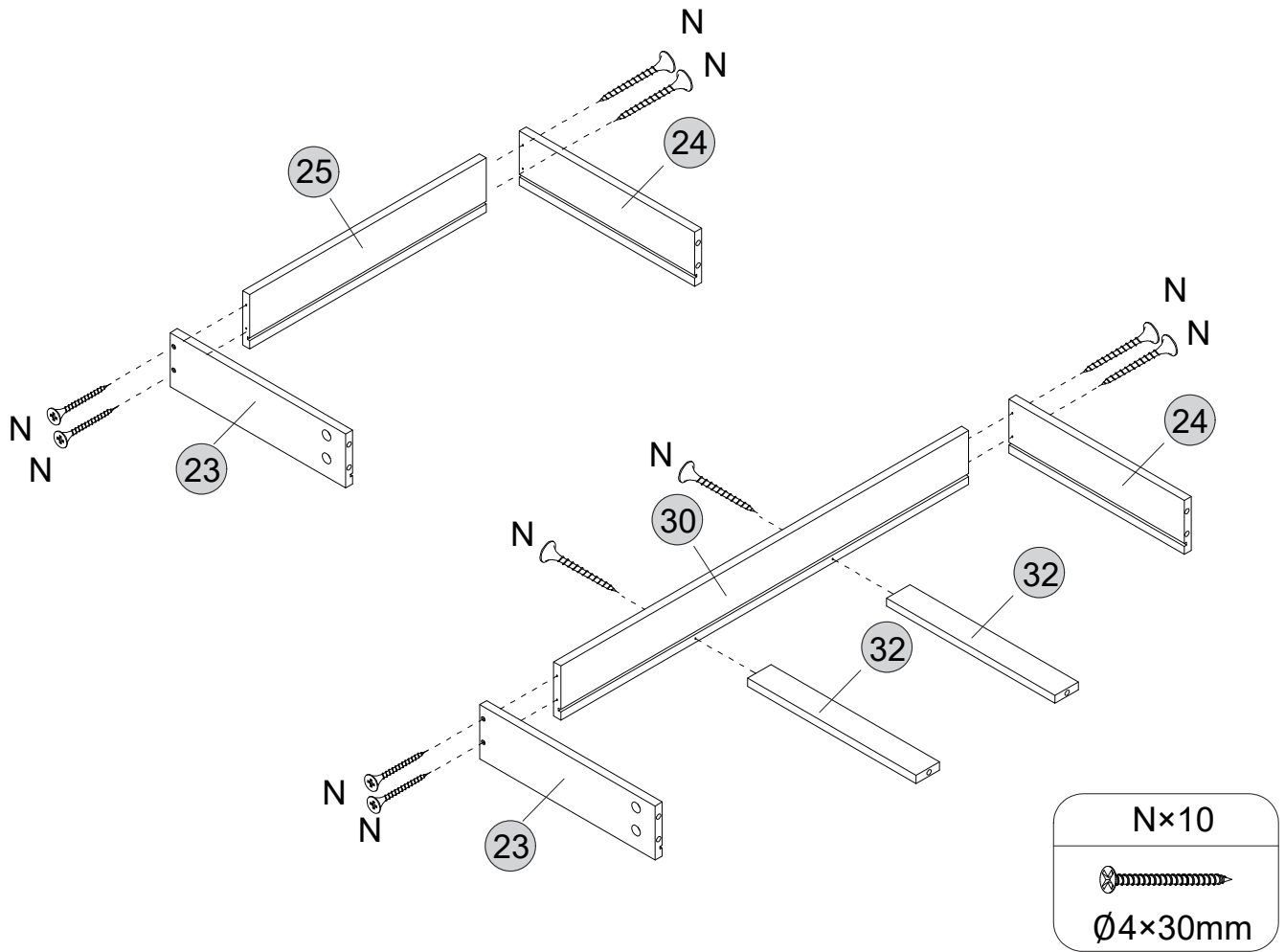


X4

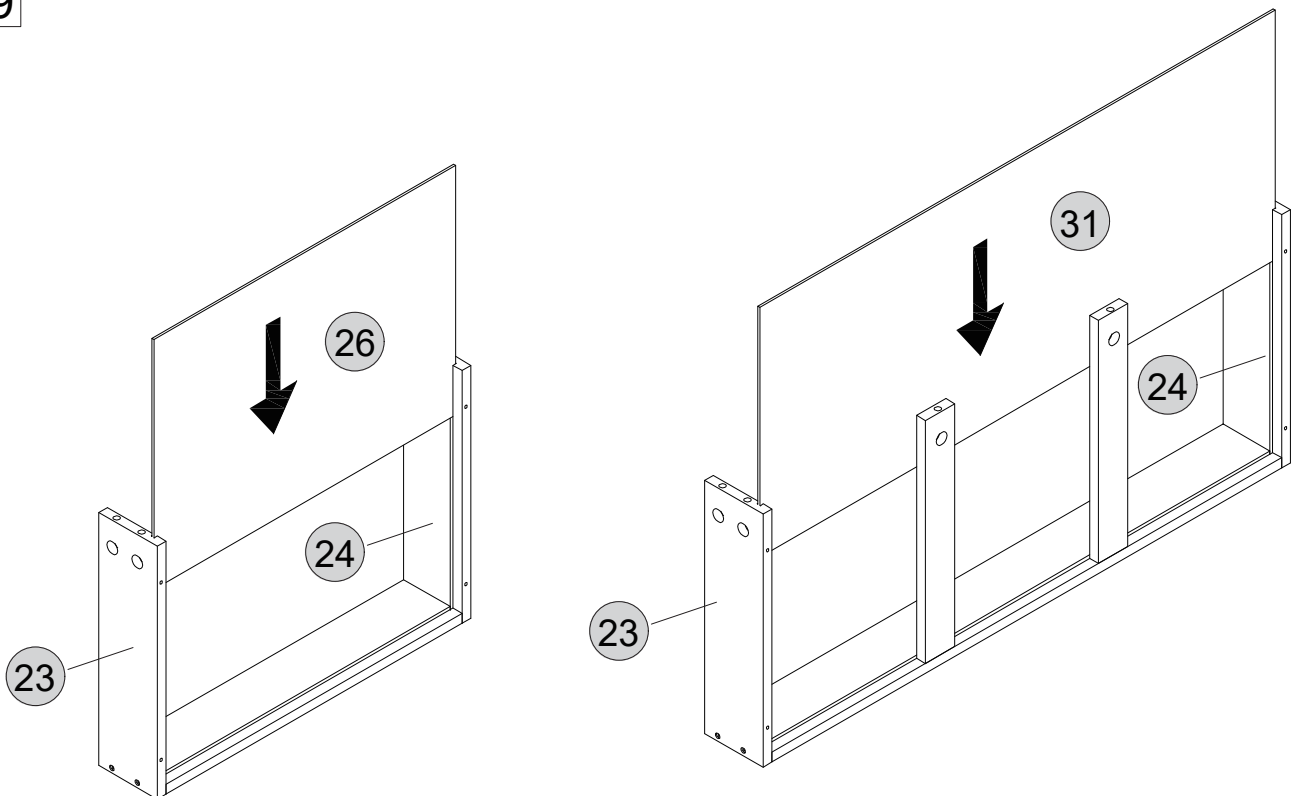


E×16

Ø3.5×12mm

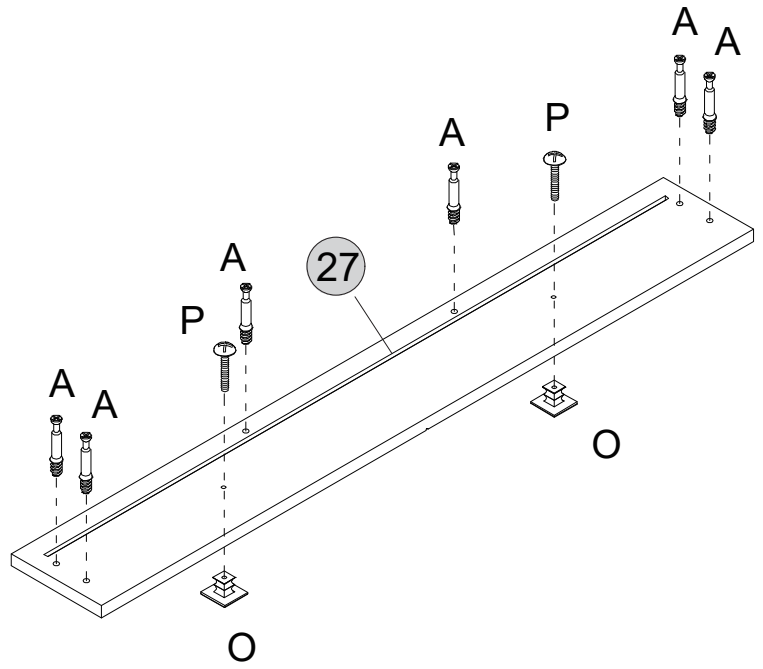
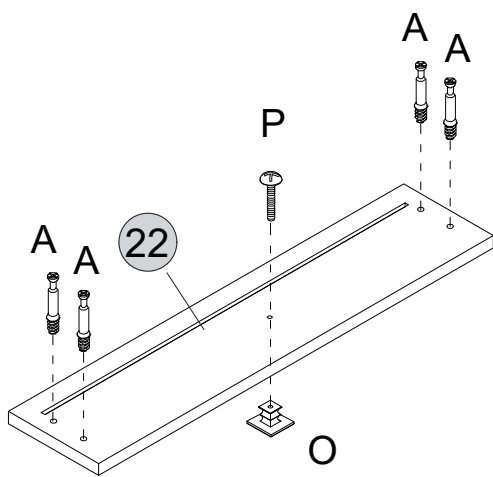
28

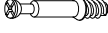




29

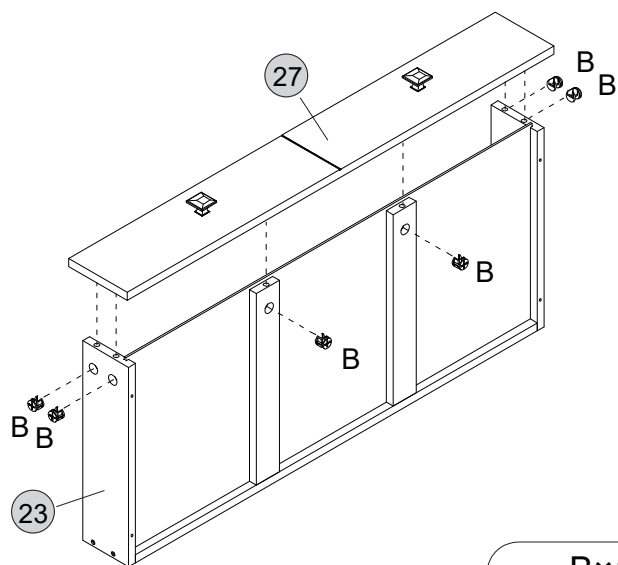
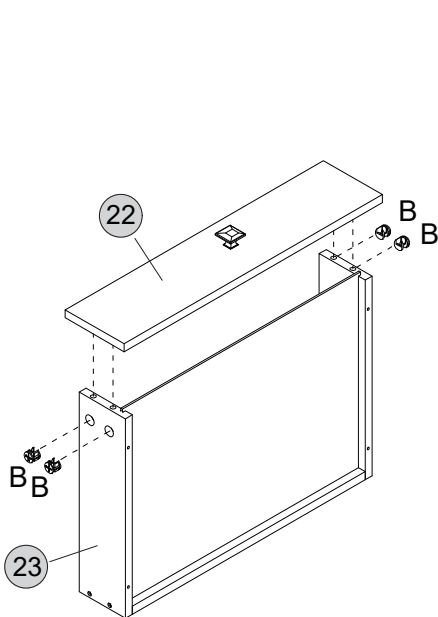



30



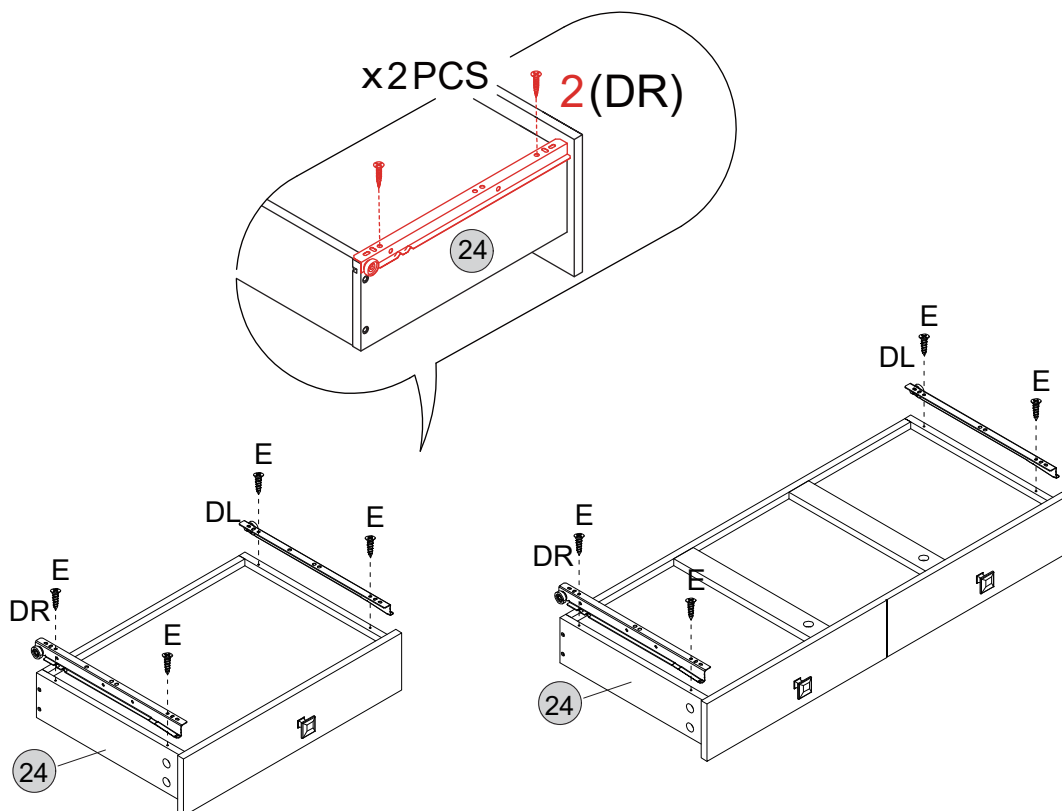
A×10  Ø 6×35mm	O×3 	P×3  Ø 4×18mm
---------------------------------------------------------------------------------------------------------	----------------------------------------------------------------------------------------------	----------------------------------------------------------------------------------------------------------

31



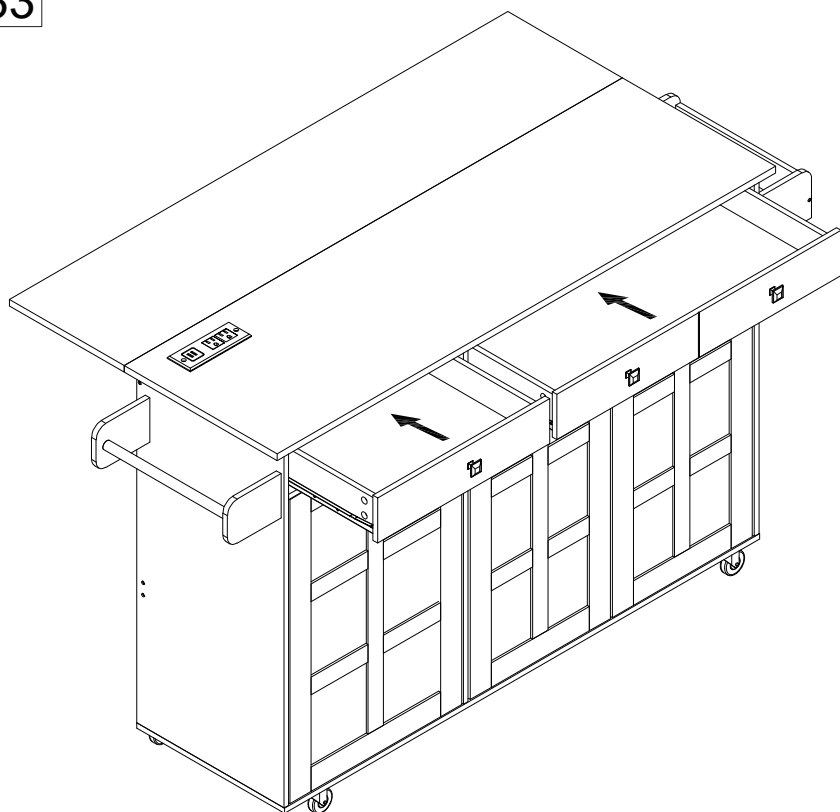
B×10  Ø 15×9.5mm

32

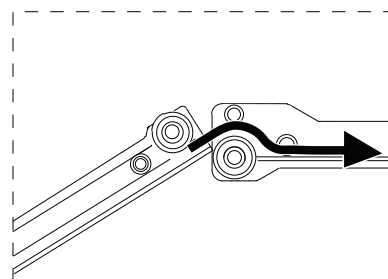


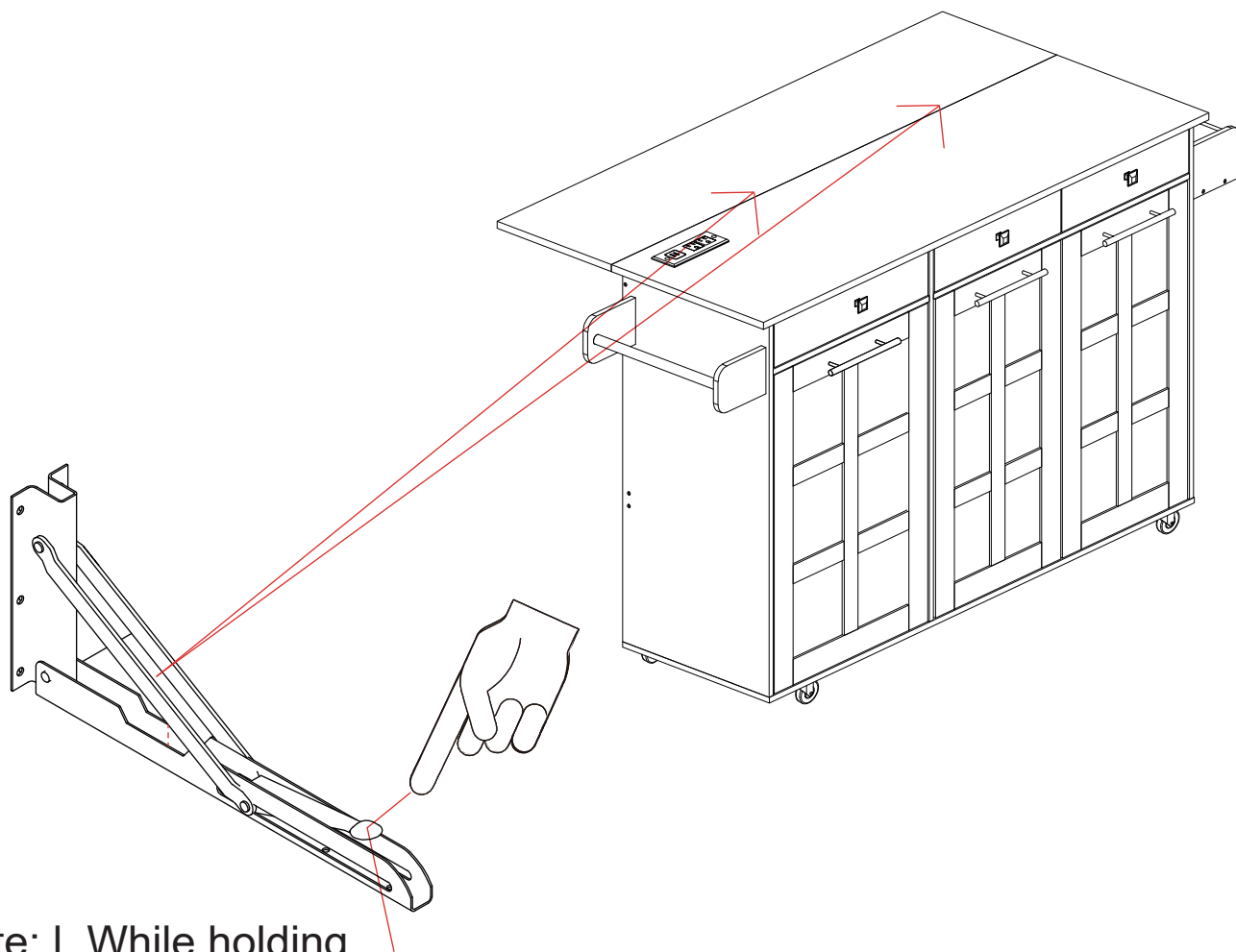
E×8 Ø 3.5×12mm	DR×2 300mm	DL×2 300mm
-------------------	---------------	---------------

33

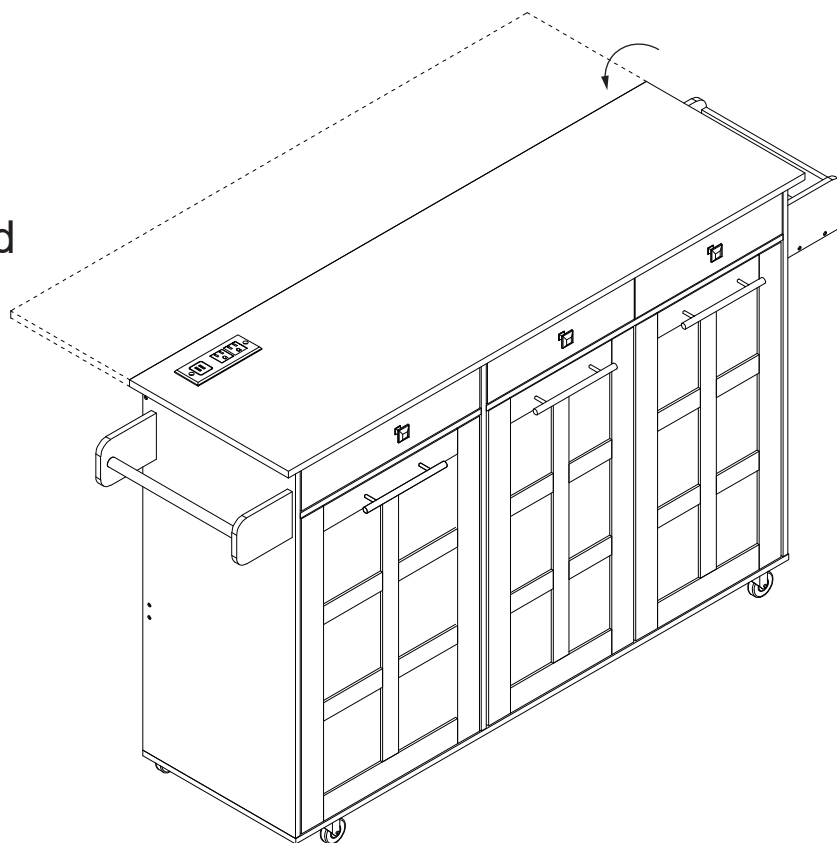


Align the rollers on the drawer with the tracks, ensuring the drawer's rollers are closely positioned over the track's rollers as they slide in.





Note: I. While holding down the A key, lift it up slightly, then press it down to make the No. 2 board extend and retract



AFTER-SALE SERVICE

If you have any suggestions for our products or find that the products have quality problems, please contact us first, our after-sales team will reply you within 24 hours, and we will do our best to give you solutions until you are satisfied.

Guaranteed Customer Service

Your shopping experience is very important to us!
Feel unsatisfied? **Contact us!**
Have any questions? **Contact us!**

Wanna share your experience with our products?
Share your pictures with us.

Any suggestions? **Contact us!**
We gotcha back!