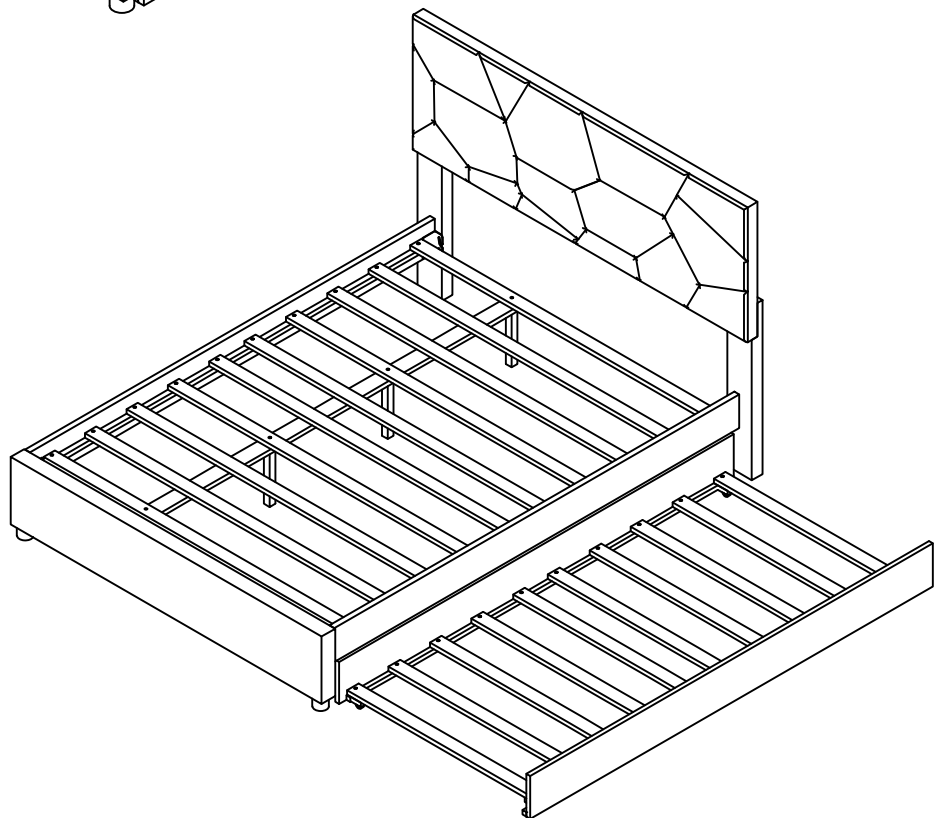
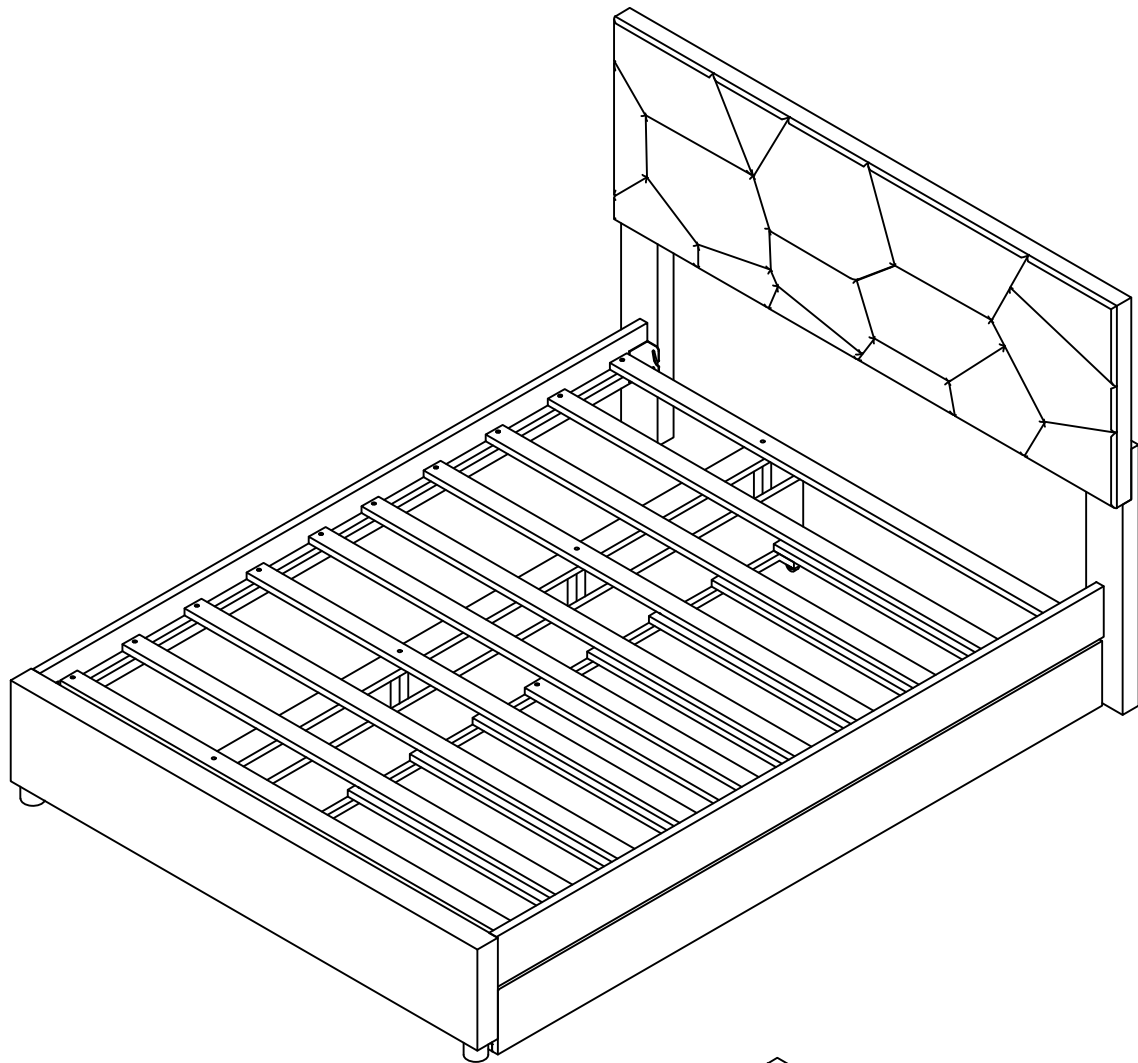
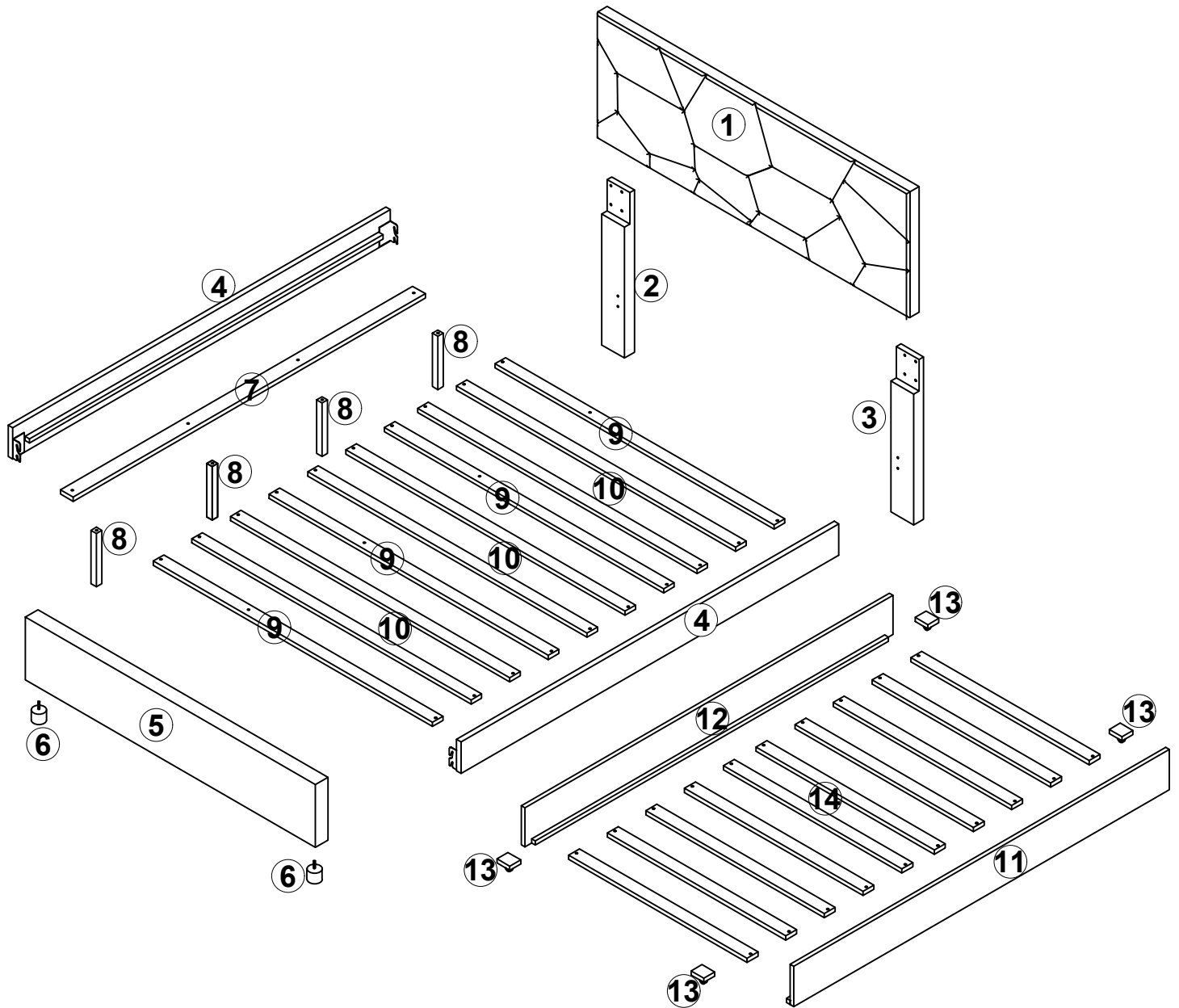


ASSEMBLY INSTRUCTION

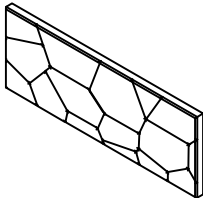


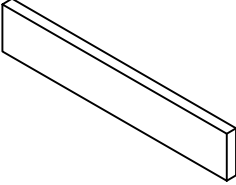

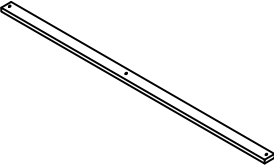
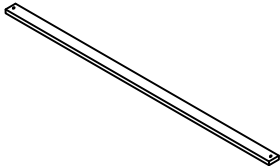



Detail View - QUEEN BED WITH TRUNDLE

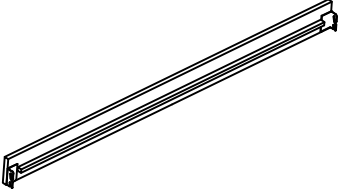
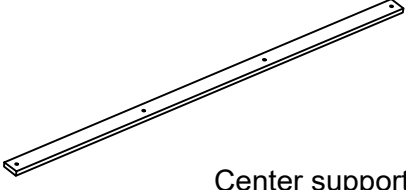

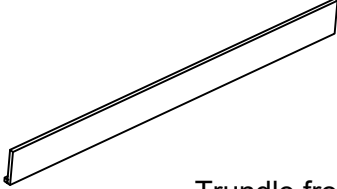
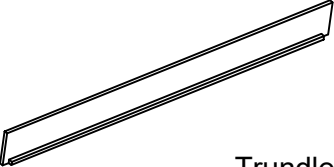
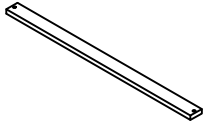


Identifying the Hardware - Identify the hardware using the illustrations below.

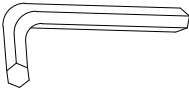
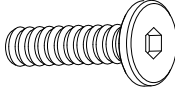
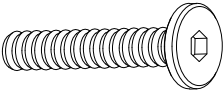


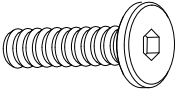


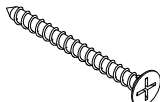
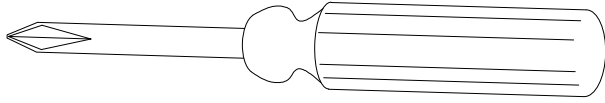
Part Lists

1		Headboard-1pc
2		Headboard left leg -1pc
3		Headboard right leg-1pc
5		Footboard - 1pc
6		Footboard leg -2pcs
9		Bed slat 1 - 4pcs
10		Bed slat 2 -6pcs
13		Wheel support -4pcs

Part Lists

4		7	
Side rail - 2pcs		Center support bar -1pc	
8		11	
Center support leg - 4pcs		Trundle front panel -1pc	
12		14	
Trundle back panel -1pc		Trundle slat -10pcs	

HARDWARE LISTS

<p>A</p>  <p>4mm Allen key (1pc)</p>	<p>B</p>  <p>Ø5/16" x 20mm Hex-head bolt (8pcs)</p>
<p>C</p>  <p>Ø5/16" x 40mm Hex-head bolt (4pcs)</p>	<p>D</p>  <p>Ø5/16" Spring washer (12pcs)</p>
<p>E</p>  <p>Ø5/16" Flat washer(12pcs)</p>	<p>F</p>  <p>Ø1/4" x 45mm Hex-head bolt (4pcs)</p>
<p>G</p>  <p>Ø1/4" Spring washer (4pcs)</p>	<p>H</p>  <p>Ø1/4" Flat washer(4pcs)</p>
<p>I</p>  <p>Ø4 x 30mm Wood screw (48pcs)</p>	
	
<p>ASSEMBLY TOOLS REQUIRED (NOT INCLUDED)</p>	



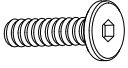
Read this instruction carefully. See hardware and furniture part list for guidance. Be sure all parts are complete, before you assemble. Place all wooden furniture parts on a clean and flat soft surface to prevent from being scratched. Follow the figure to start assembling.

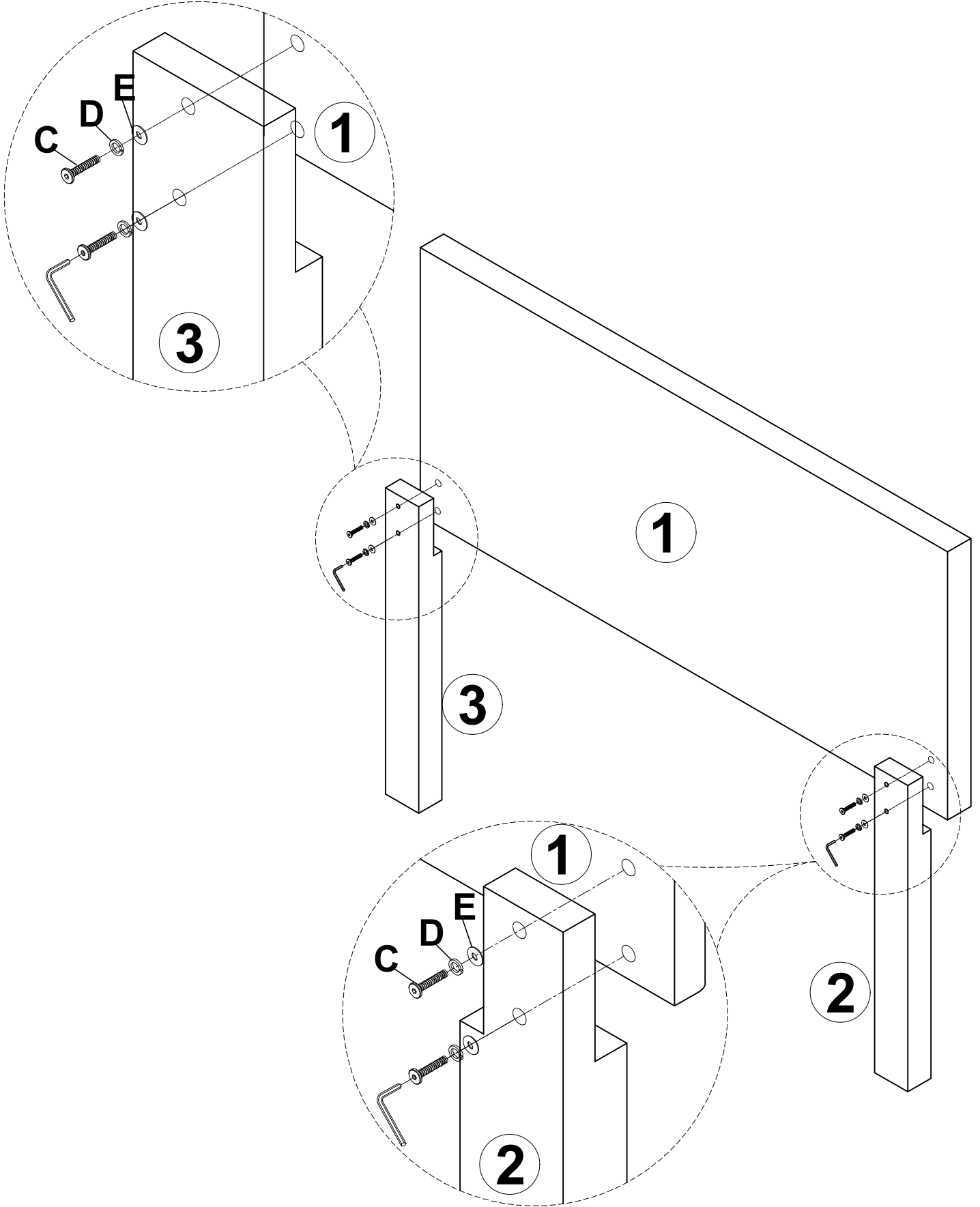
CAUTIONS :

1. Do not FULLY - TIGHTEN the nut or nut bolt until all nut or bolt is ready assembled.
2. Do not OVER - TIGHTEN the nut or bolt to avoid causing damages to the thread.
3. Keep all hardware parts out of reach of children.

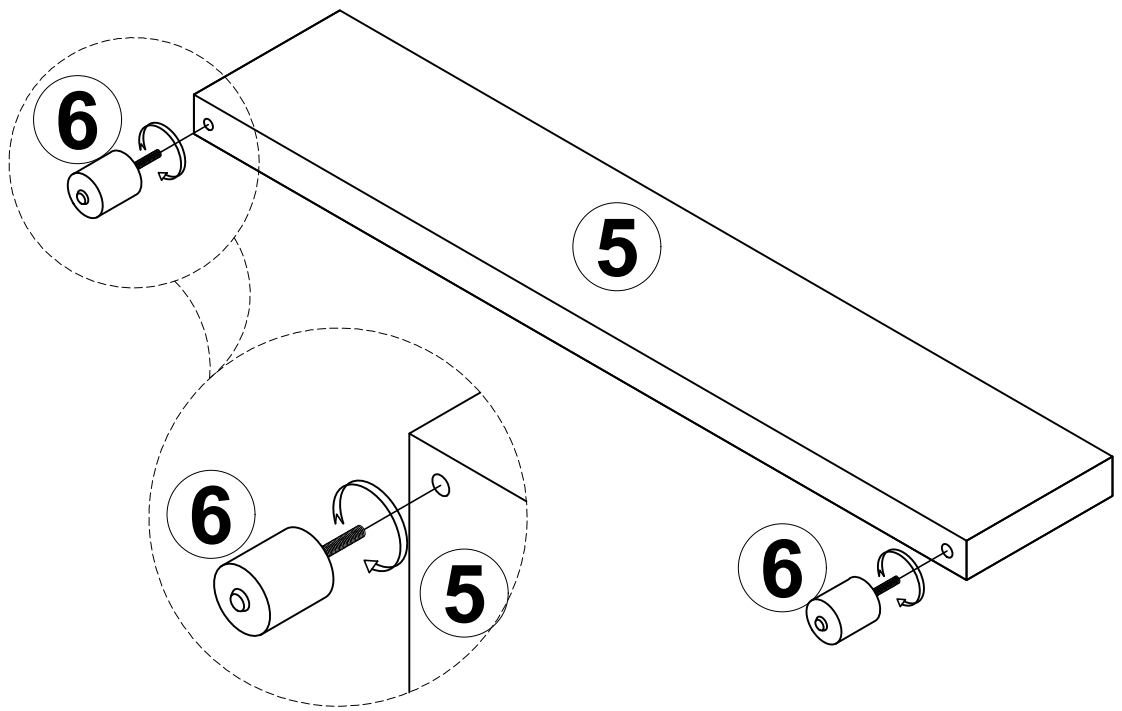
NOTE : THE LIST AND QUANTITY SHOWN ARE FOR 1 UNIT ASSEMBLY.

STEP 1



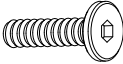
E		D		C	
4PCS		4PCS		4PCS	

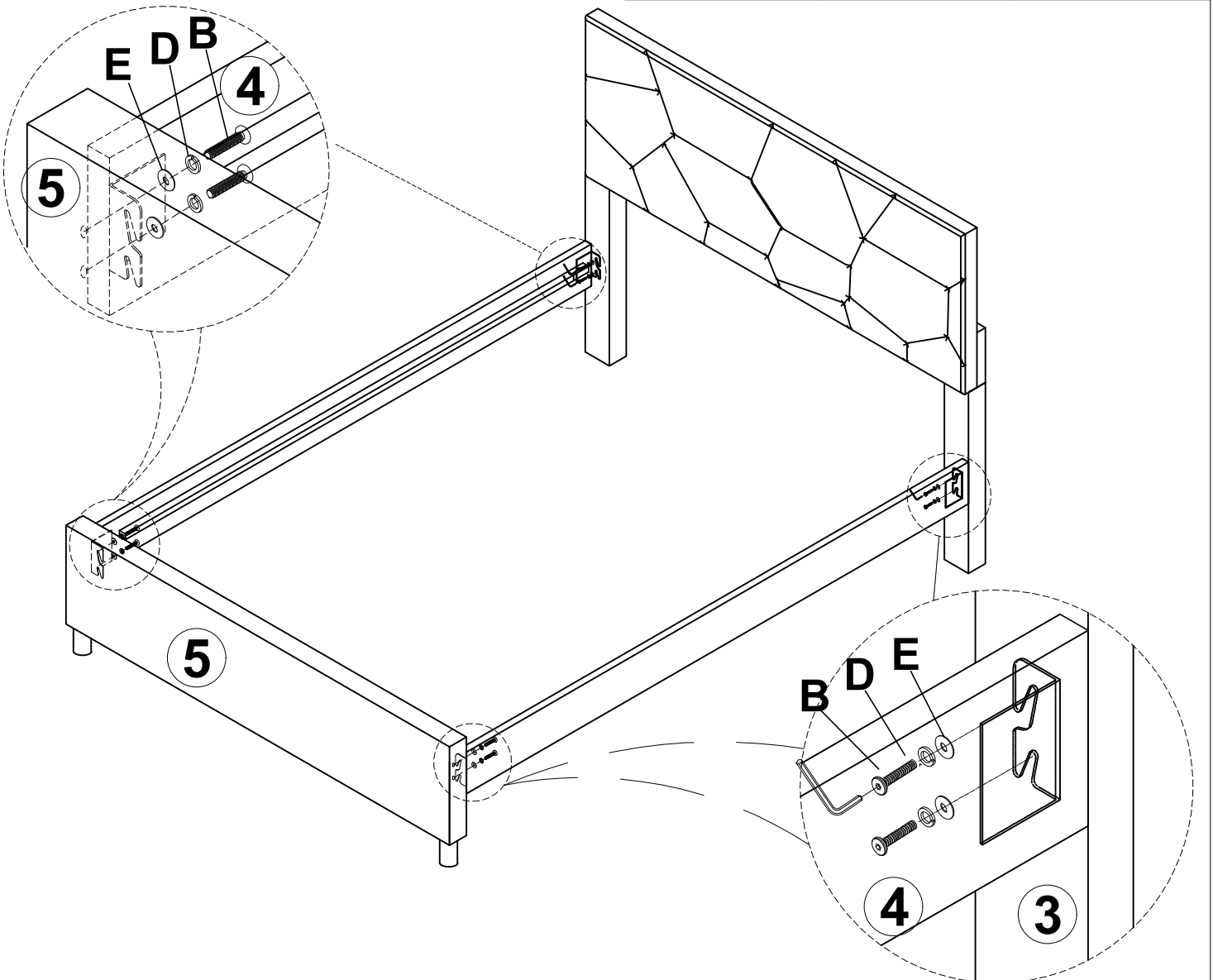


STEP 2



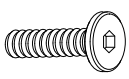


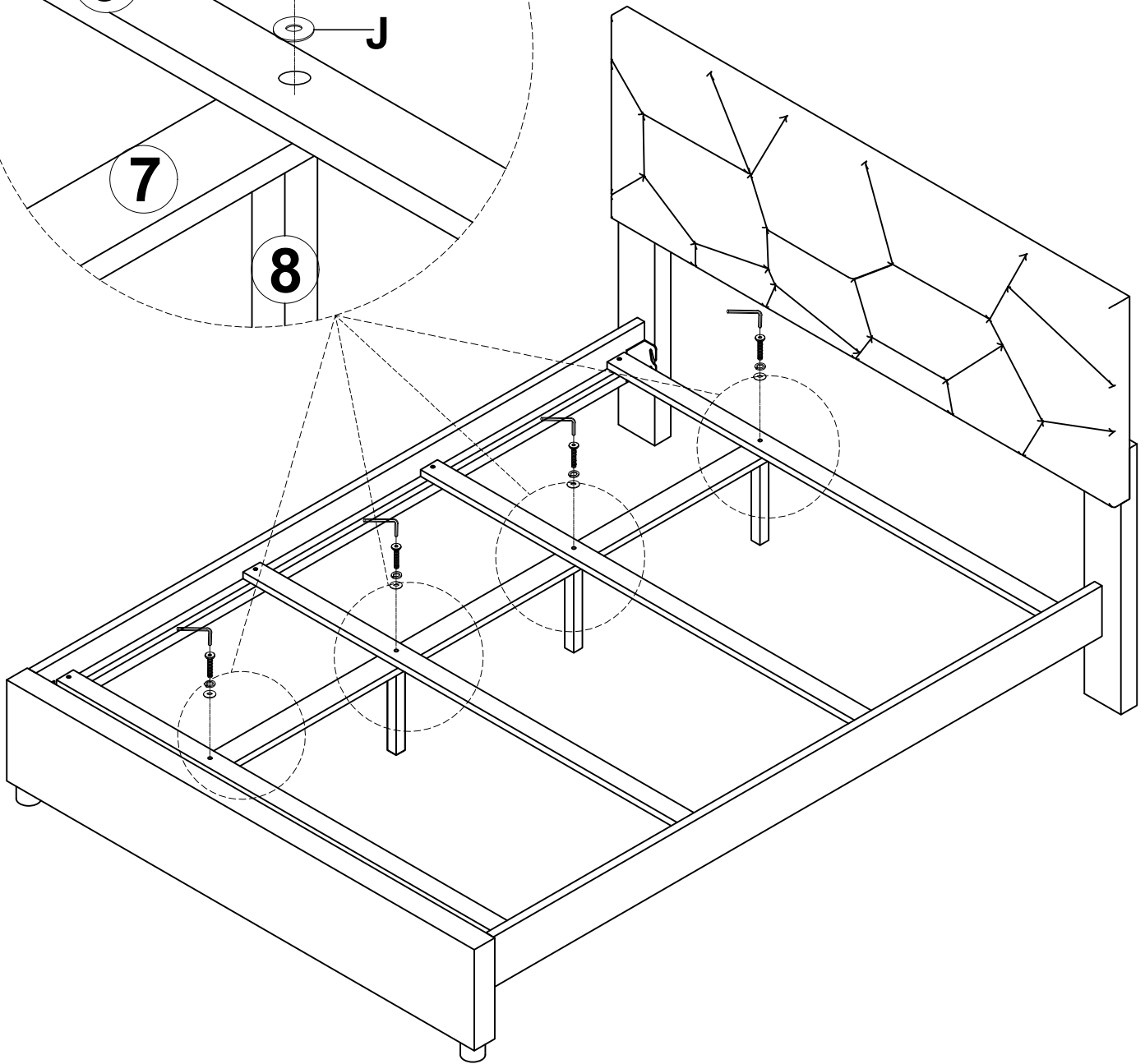
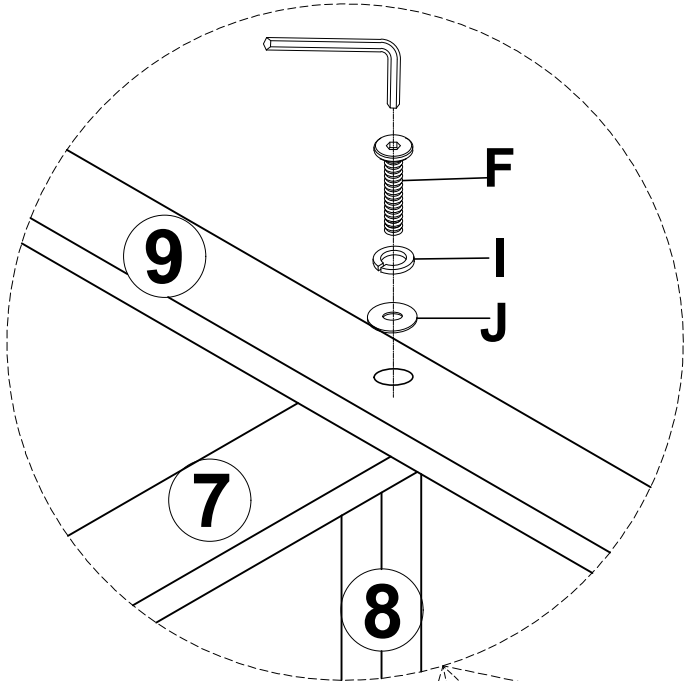
STEP 3

E		D		B	
8PCS		8PCS		8PCS	



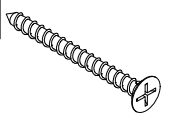
STEP 4

J 	I 	F 
4PCS	4PCS	4PCS

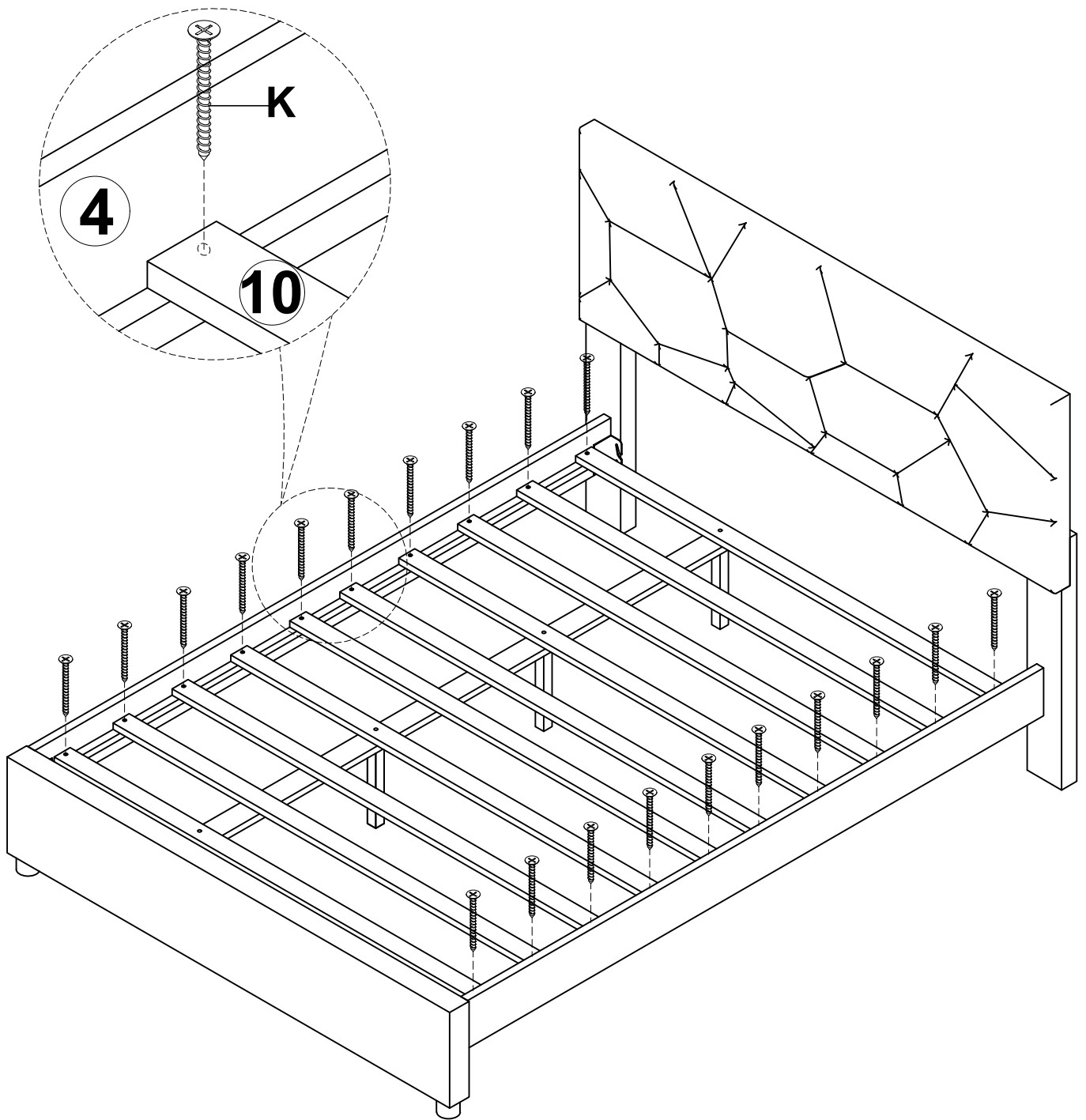


STEP 5

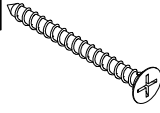
K

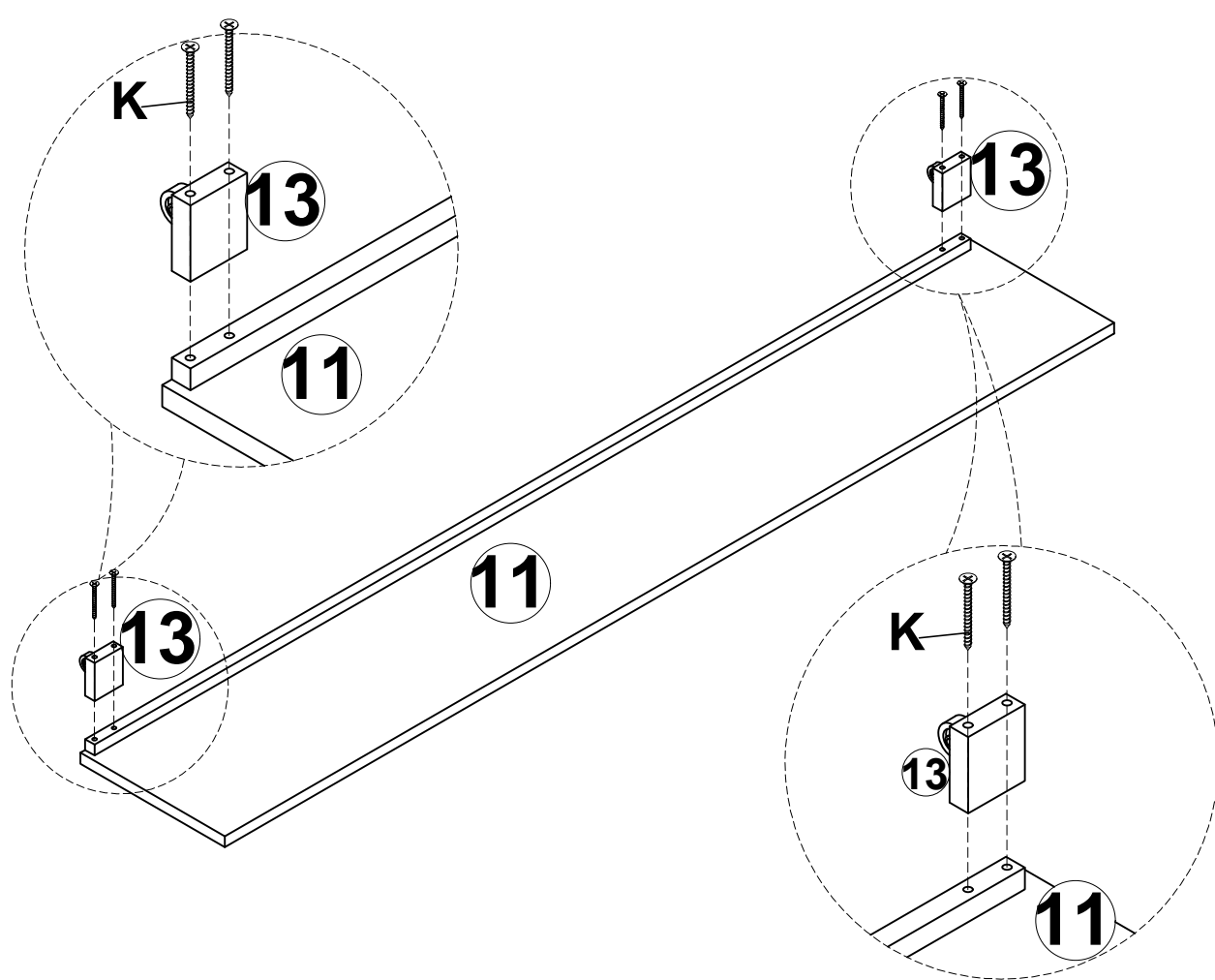
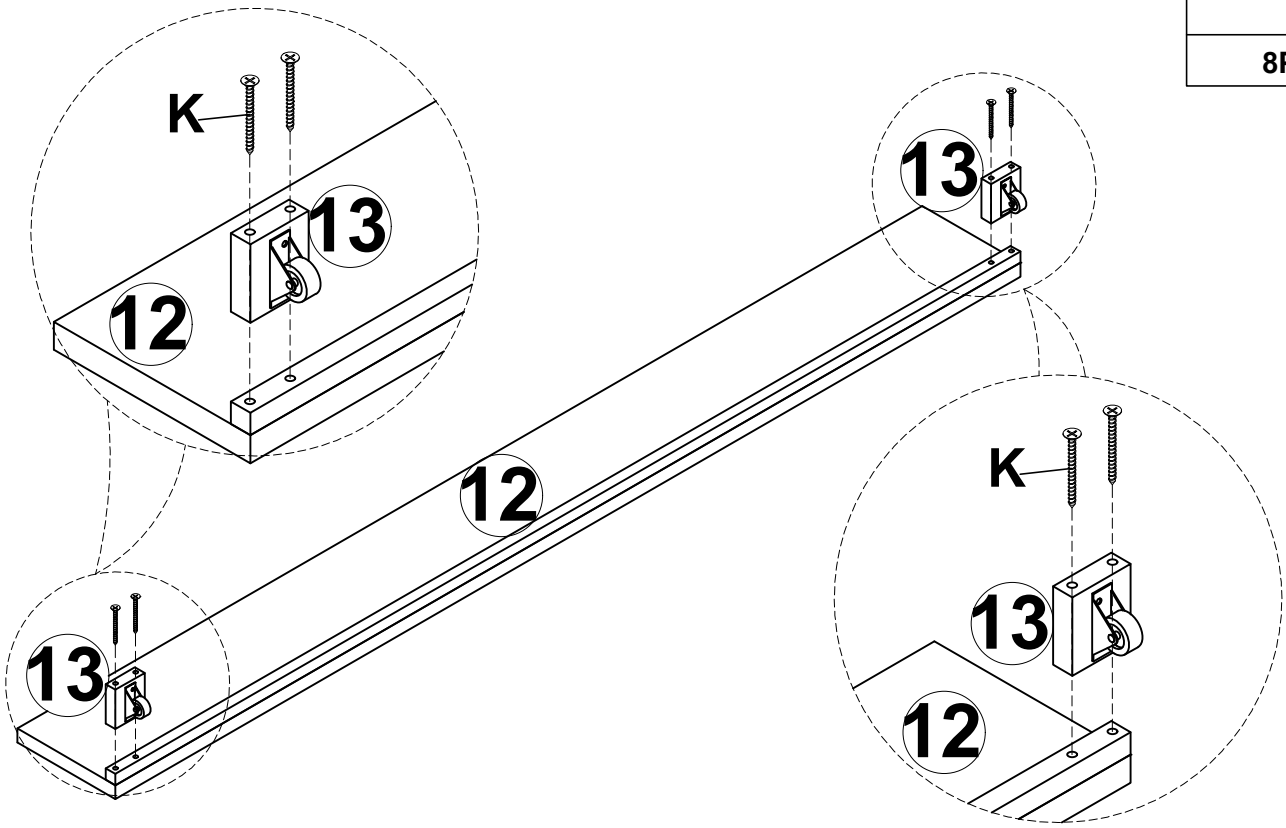


20PCS

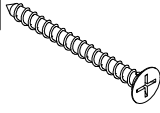


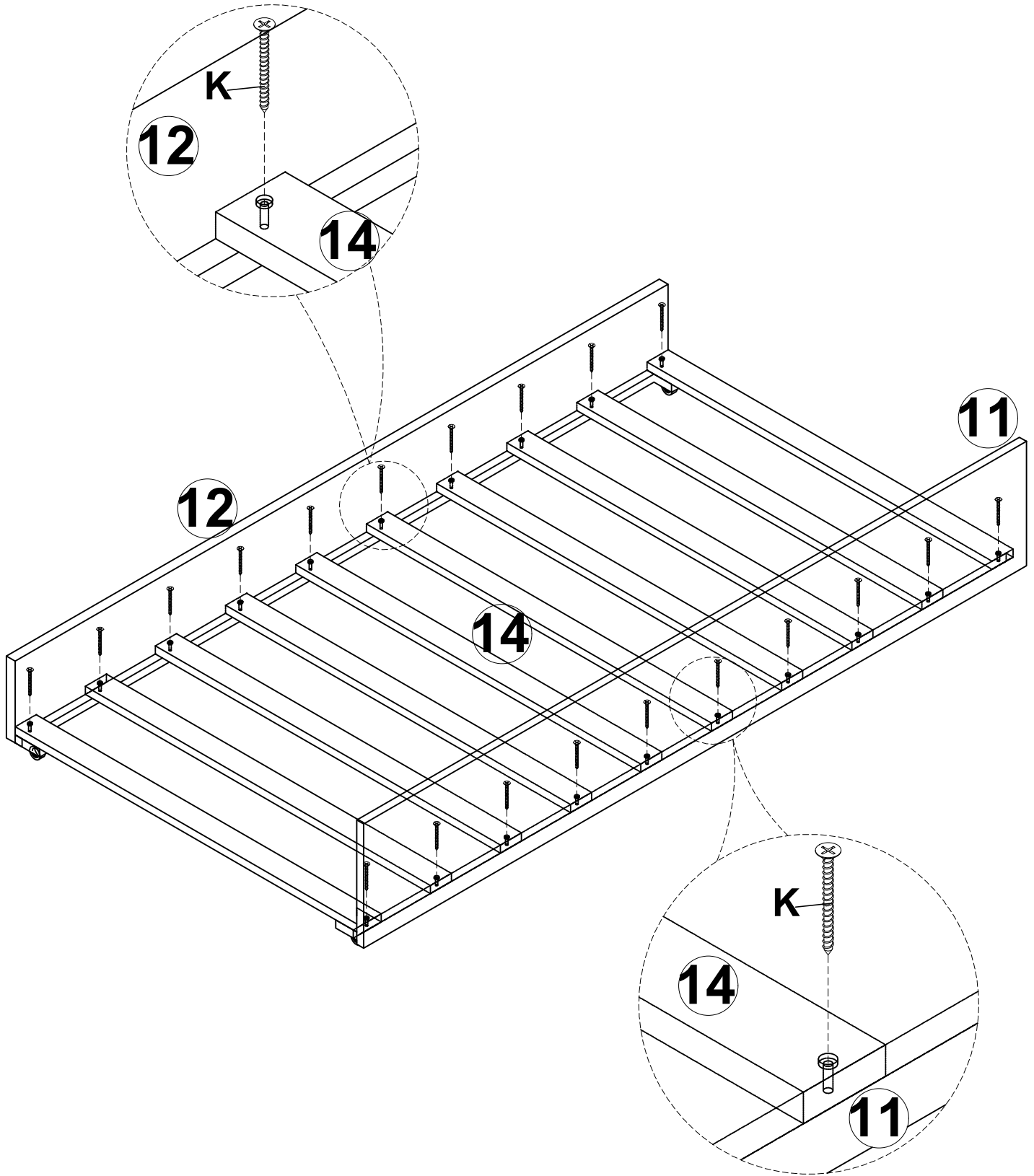
STEP 6

K	
8PCS	



STEP 7

K 
20PCS



STEP 8

