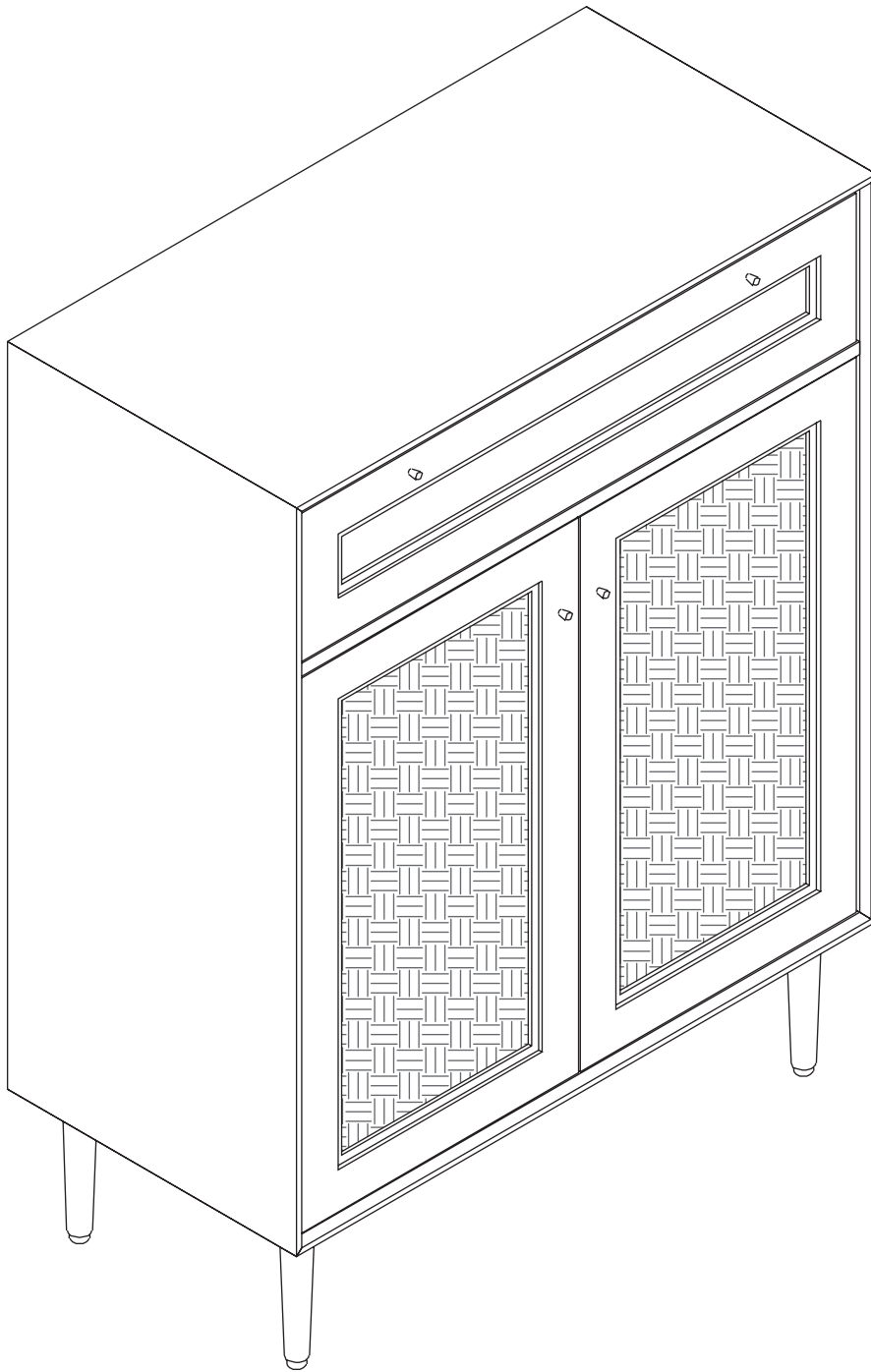
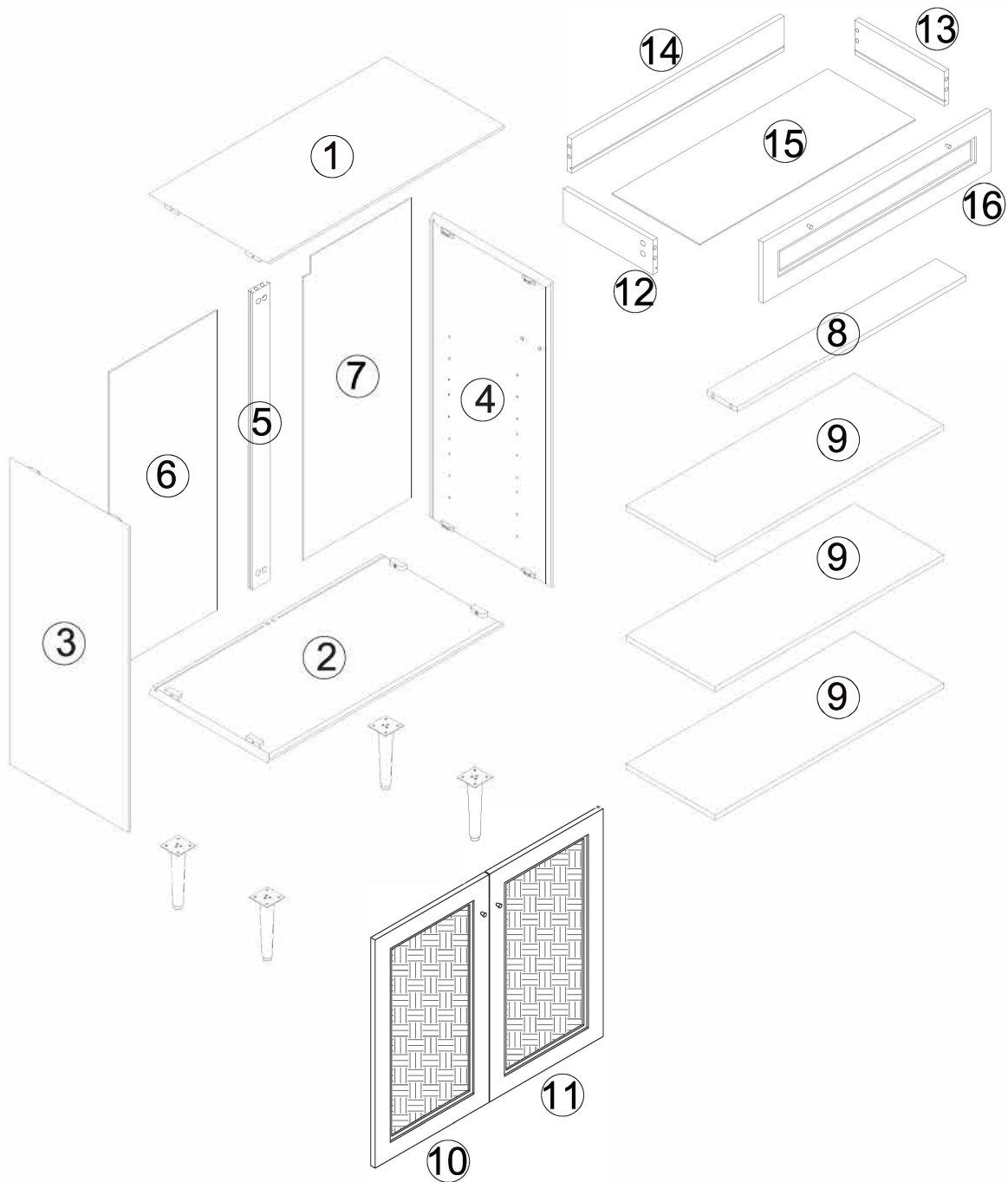


SHOE CABINET WITH DRAWER



ASSEMBLY INSTRUCTIONS




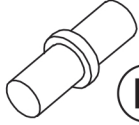
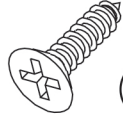
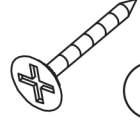
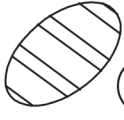
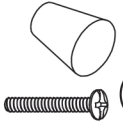
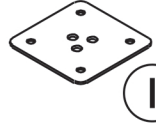
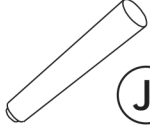
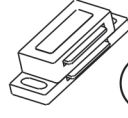
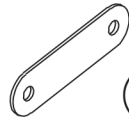
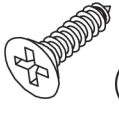

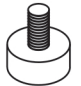




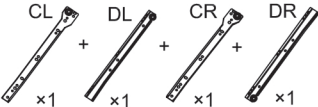
Parts



IMPORTANT

1. Do not tighten bolts/screws completely until all bolts/screws are lined up and inserted into holes.
2. Do not over-tighten screws and bolts to avoid stripping.
3. Please use hand tools to assemble this product. Do not use power tools.

Hardware




- | | | | | | | | | | |
|--------------------------|---|----------------|--------------------------|---|----------------|--------------------------|---|----------------|---|
| <input type="checkbox"/> |  | (A) x16 | <input type="checkbox"/> |  | (B) x16 | <input type="checkbox"/> |  | (C) x8 | \O M5*16 |
| <input type="checkbox"/> |  | (D) x12 | <input type="checkbox"/> |  | (E) x37 | <input type="checkbox"/> |  | (F) x12 | \O M3 x 14 \O M3 x 20 |
| <input type="checkbox"/> |  | (G) x8 | <input type="checkbox"/> |  | (H) x4 | <input type="checkbox"/> |  | (I) x4 | |
| <input type="checkbox"/> |  | (J) x4 | <input type="checkbox"/> |  | (K1) x2 | <input type="checkbox"/> |  | (K2) x4 | |
| <input type="checkbox"/> |  | (L) x8 | <input type="checkbox"/> |  | (M) x4 | <input type="checkbox"/> |  | (T) x4 | \O M3 x 16 |
| <input type="checkbox"/> |  | (W) x8 | <input type="checkbox"/> |  | (X) x1 | <input type="checkbox"/> |  | (Y) x1 | |
| <input type="checkbox"/> |  | (N) x1 | |  | | | | | |



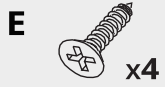
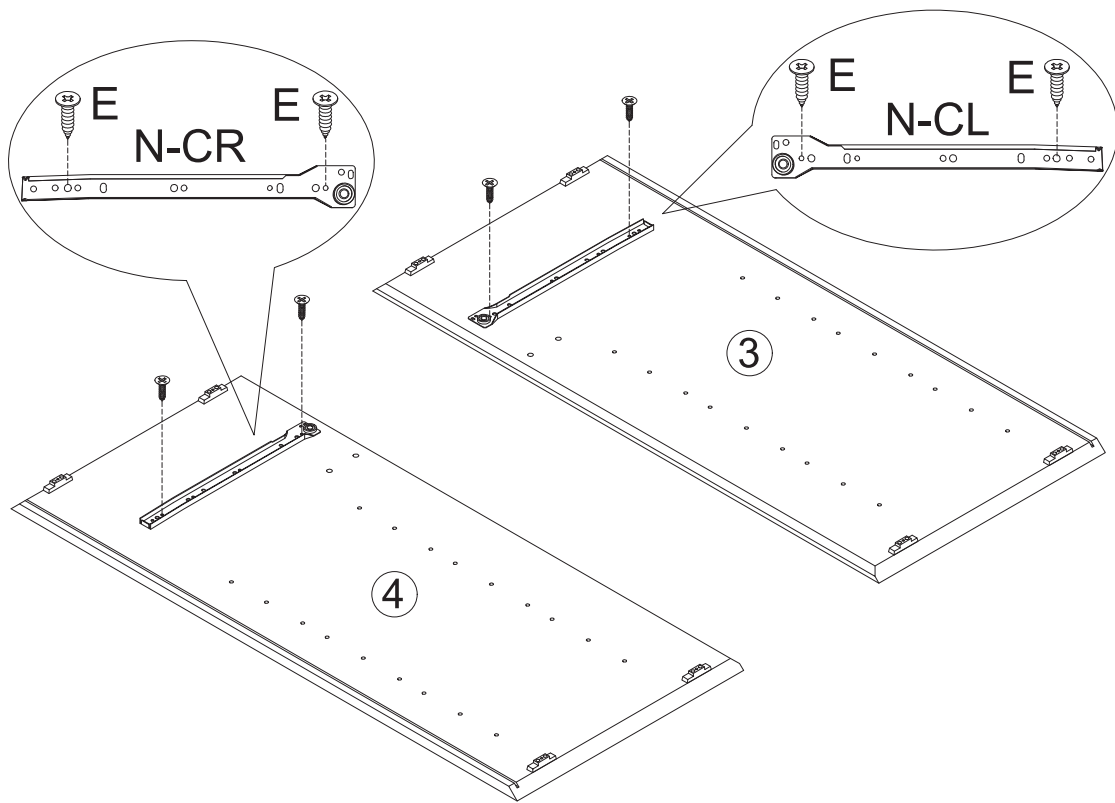
Before discarding the packaging, please use the checklist to ensure you have all the parts required to assemble your product. Please kindly note you will need the original package if you want to return the product later.



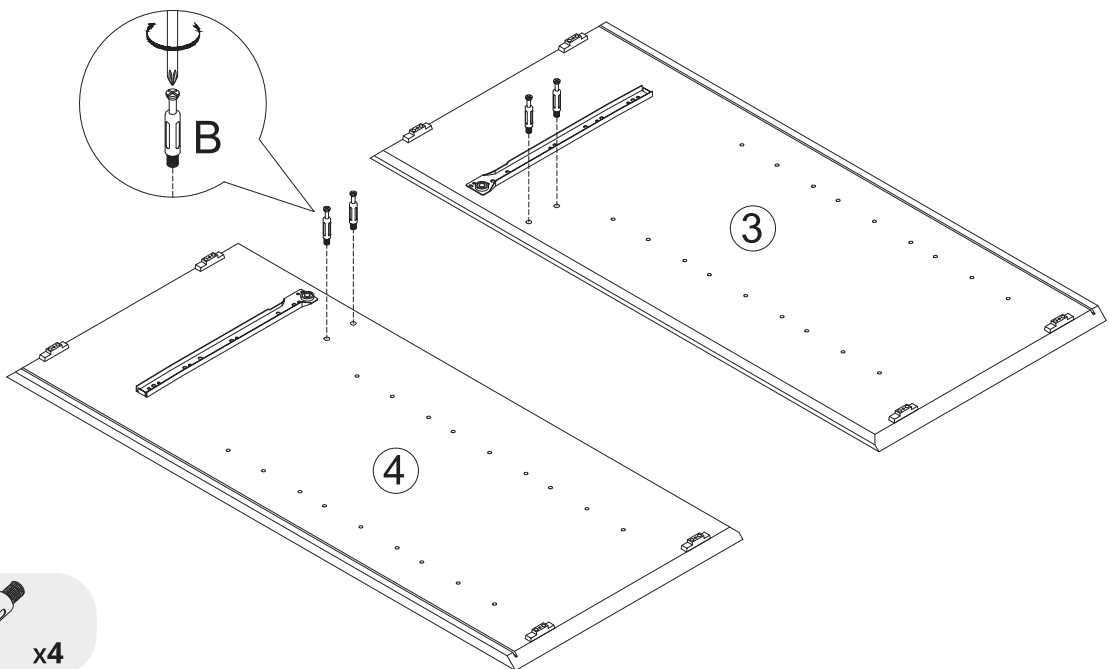
If parts are missing or damaged, we will gladly ship your replacements parts free of charge.

		
x2	90 mins	x1

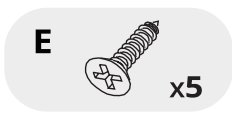
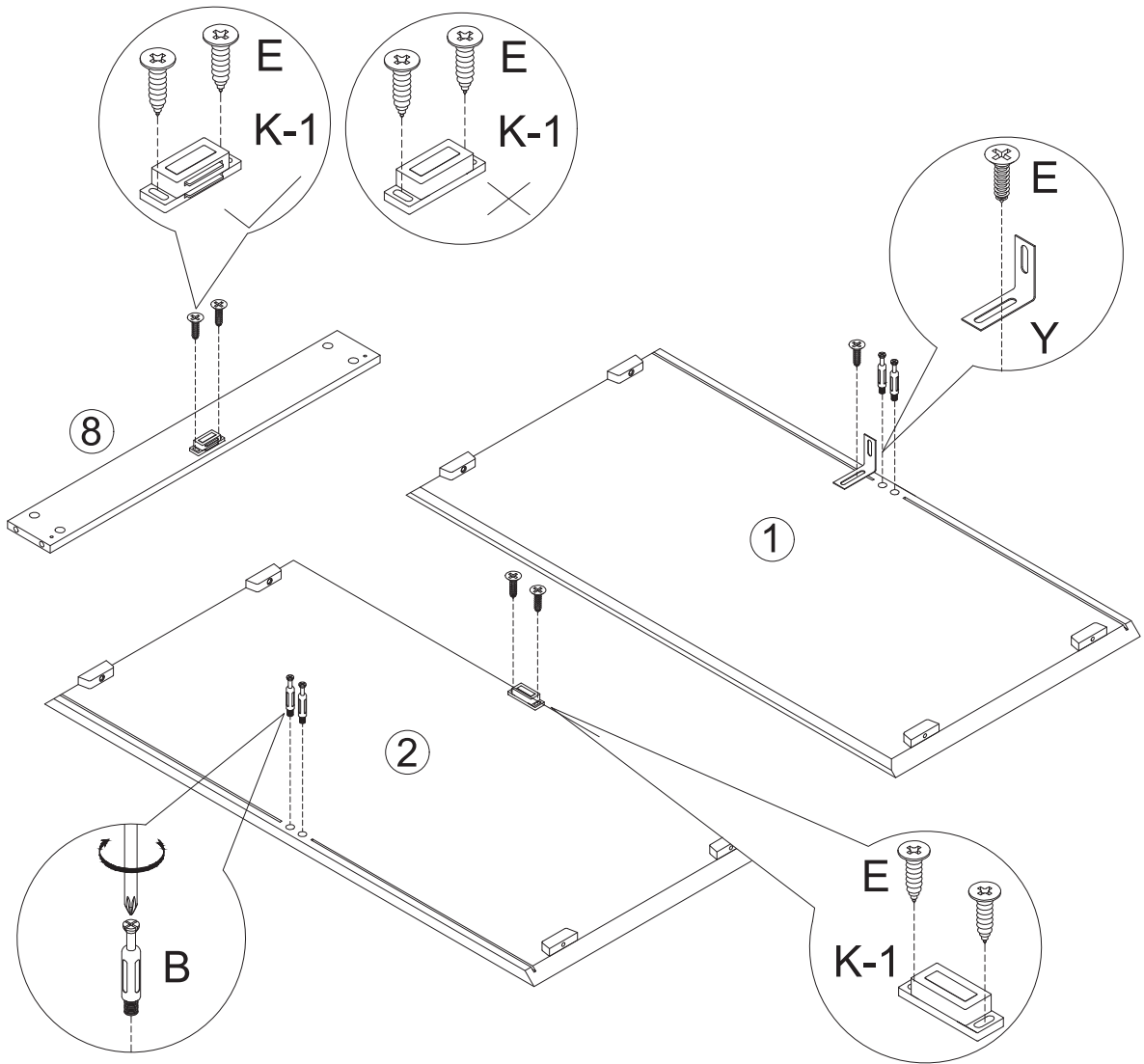
Step 1



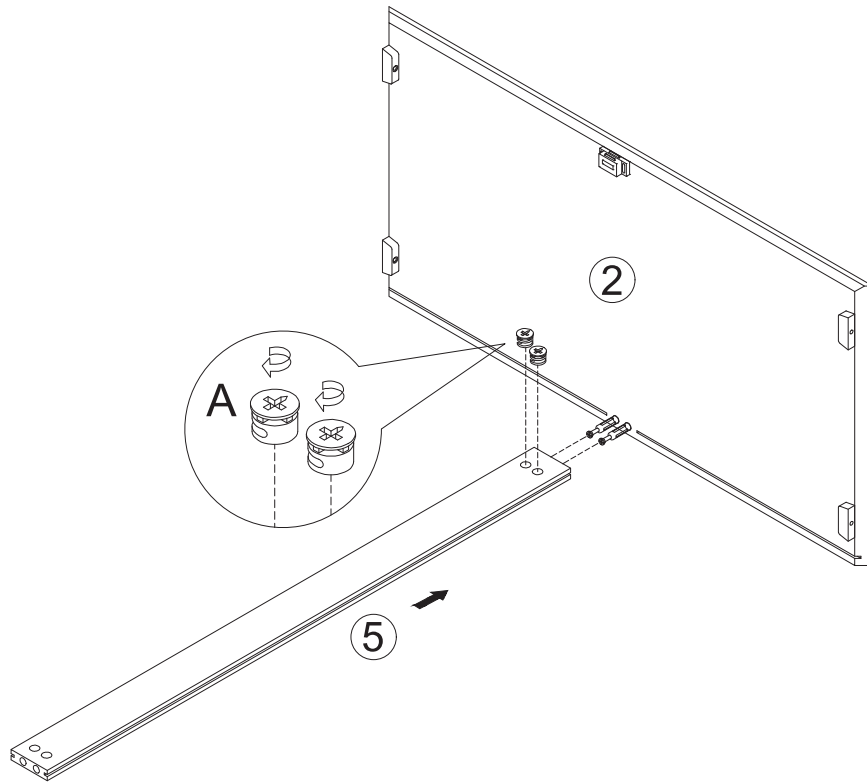
Step 2



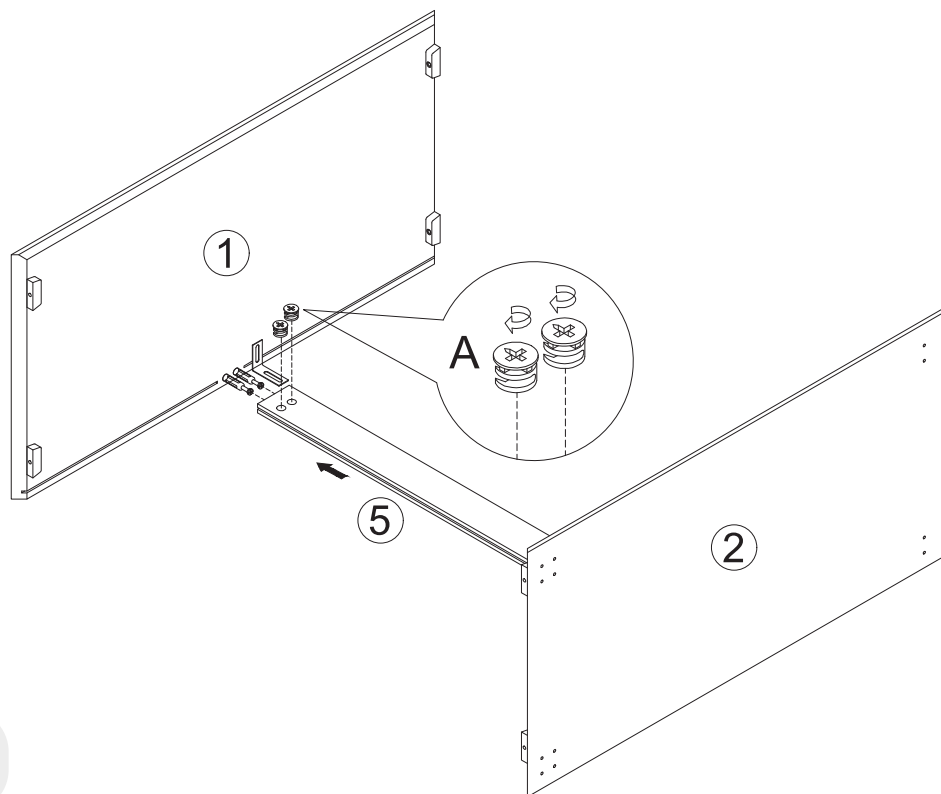
Step 3



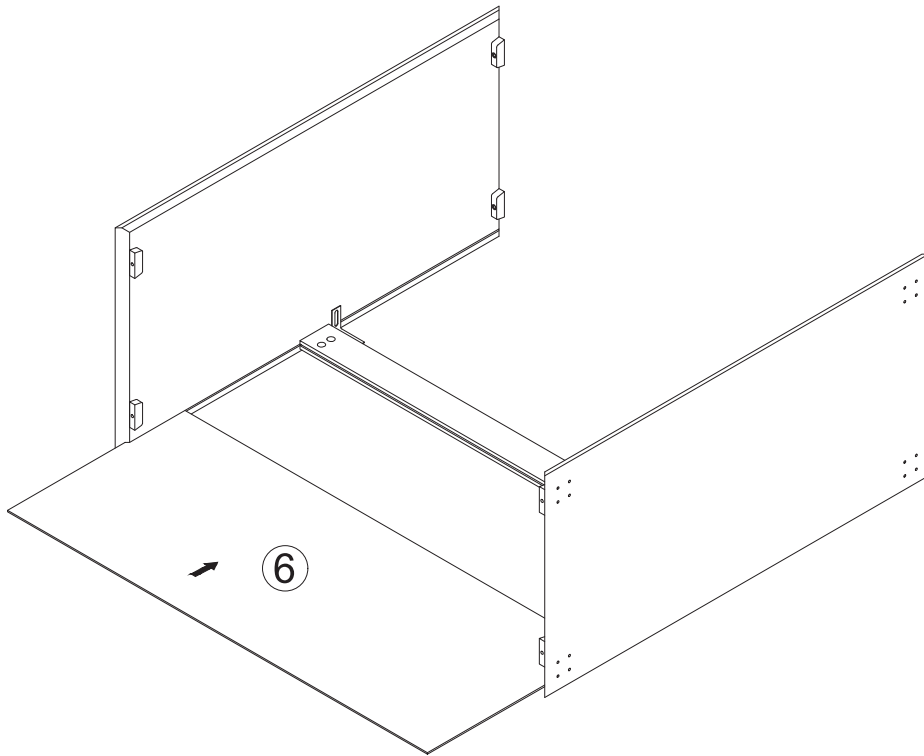
Step 4



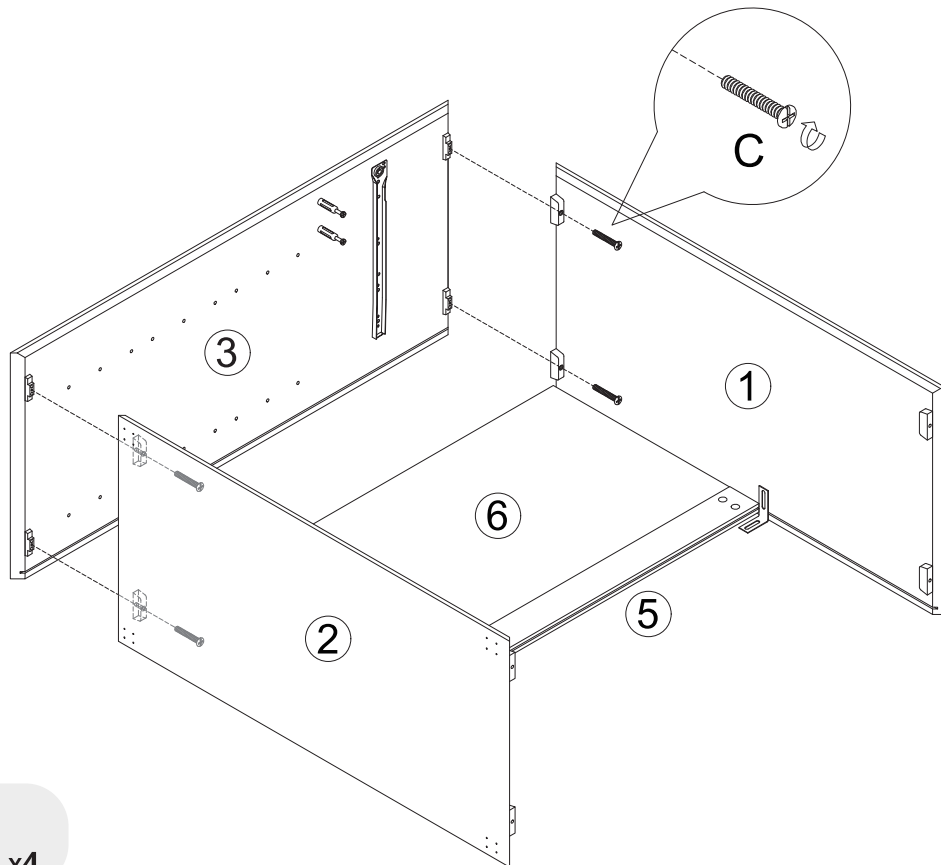
Step 5



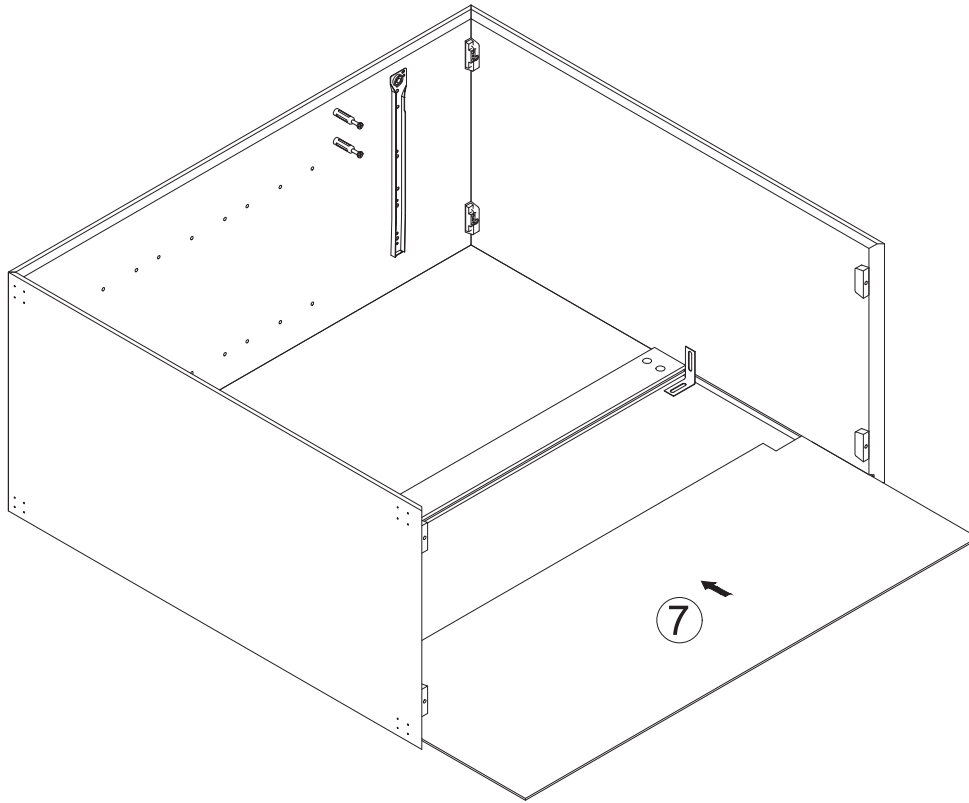
Step 6



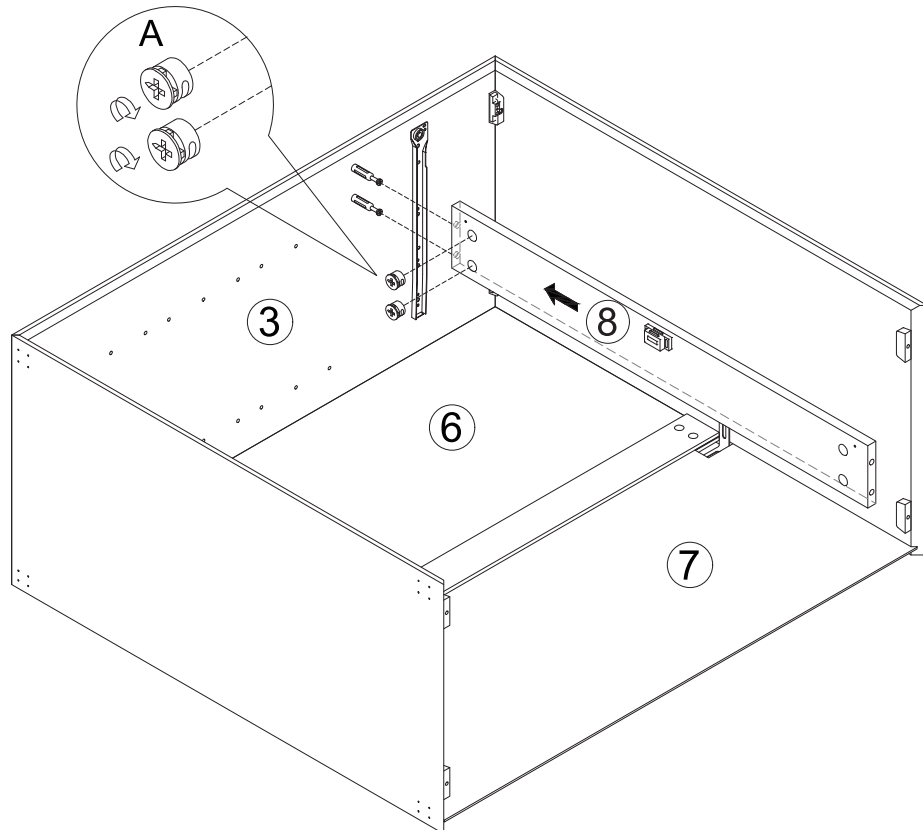
Step 7



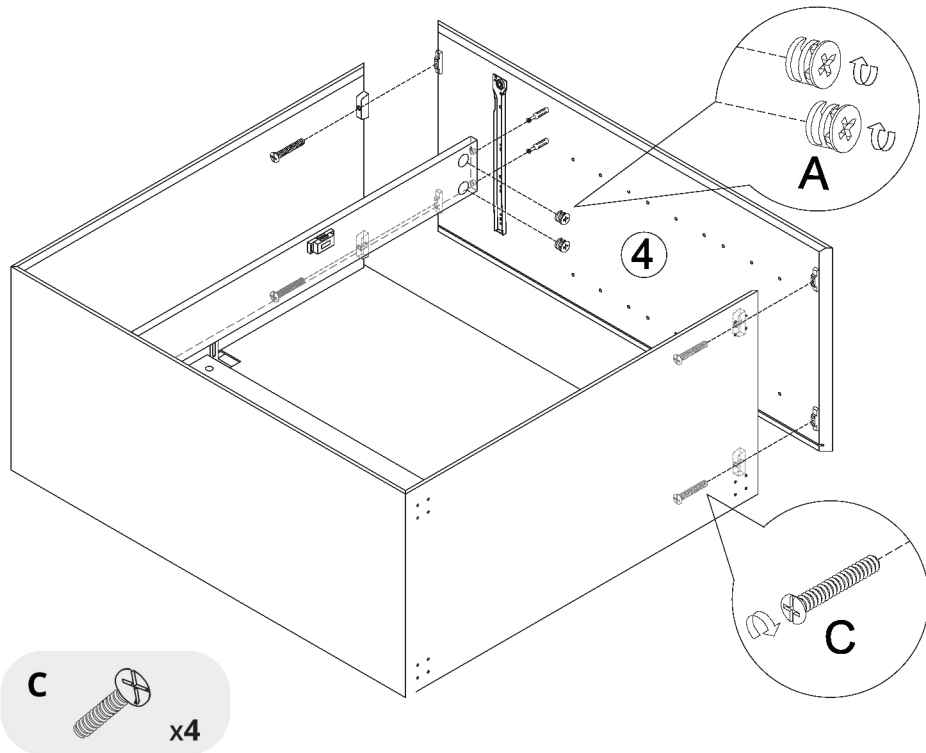
Step 8



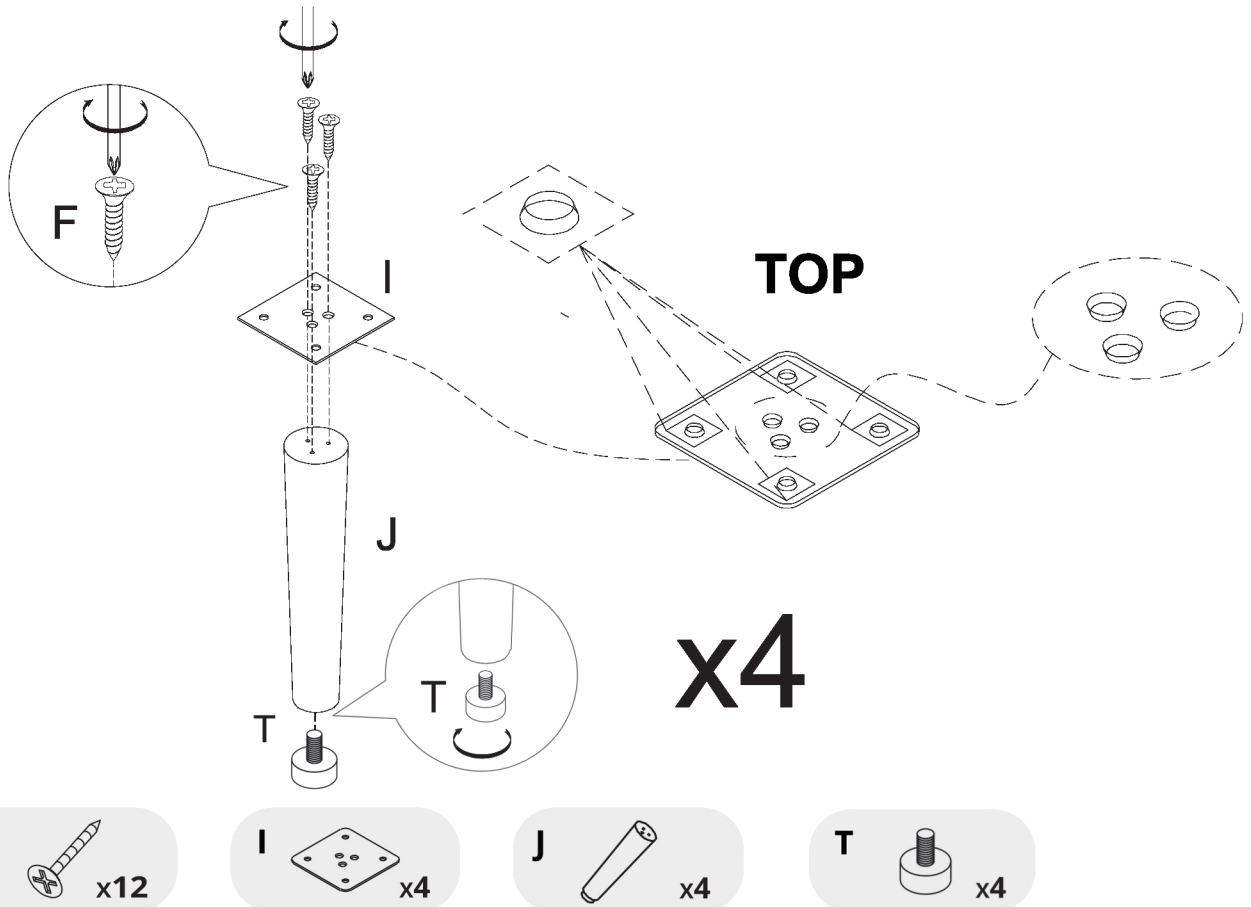
Step 9



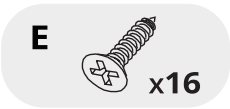
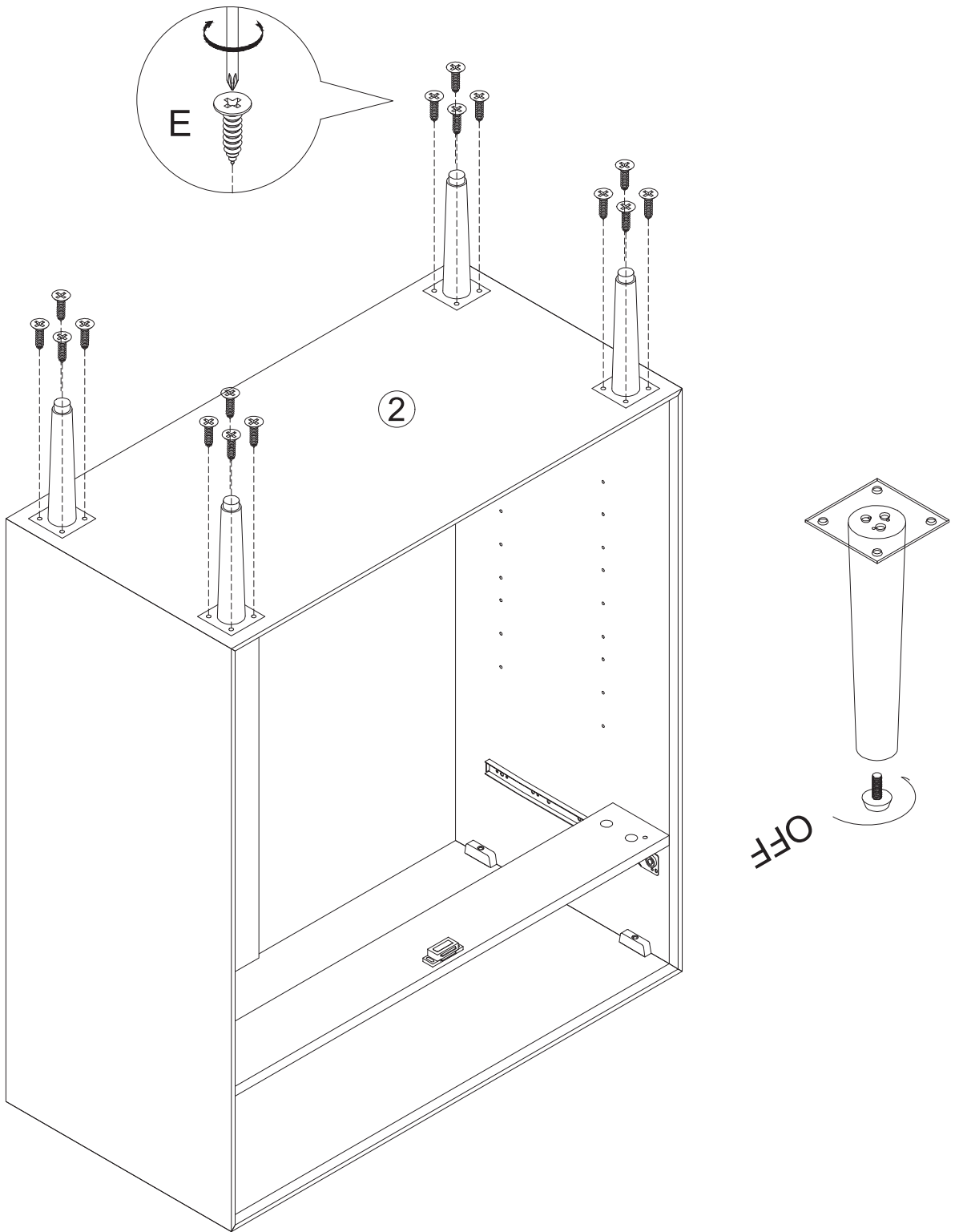
Step 10



Step 11



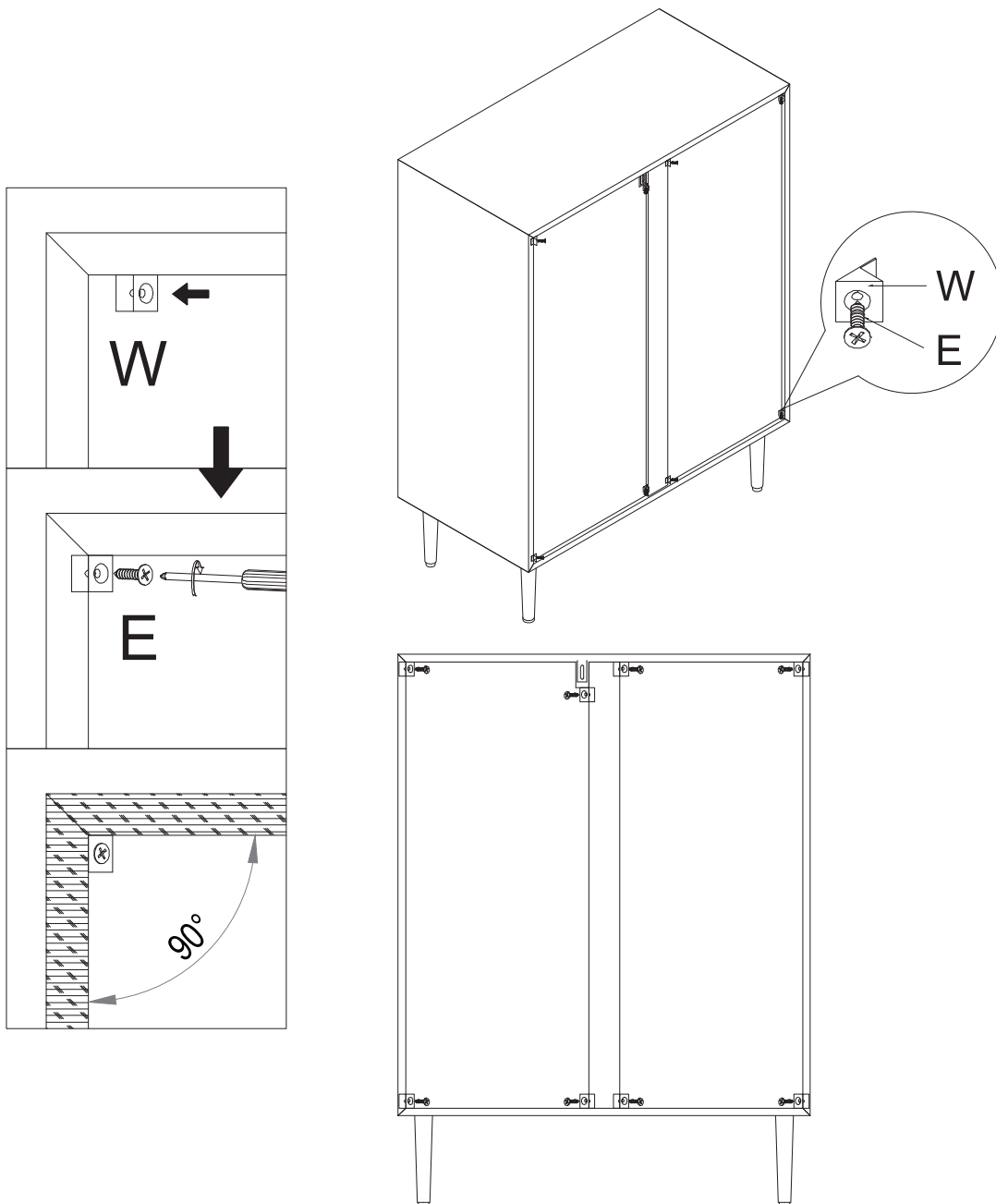
Step 12



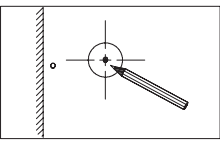
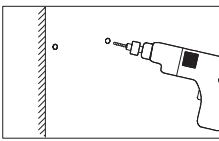
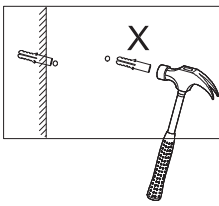
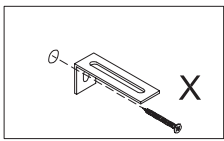
Step 13

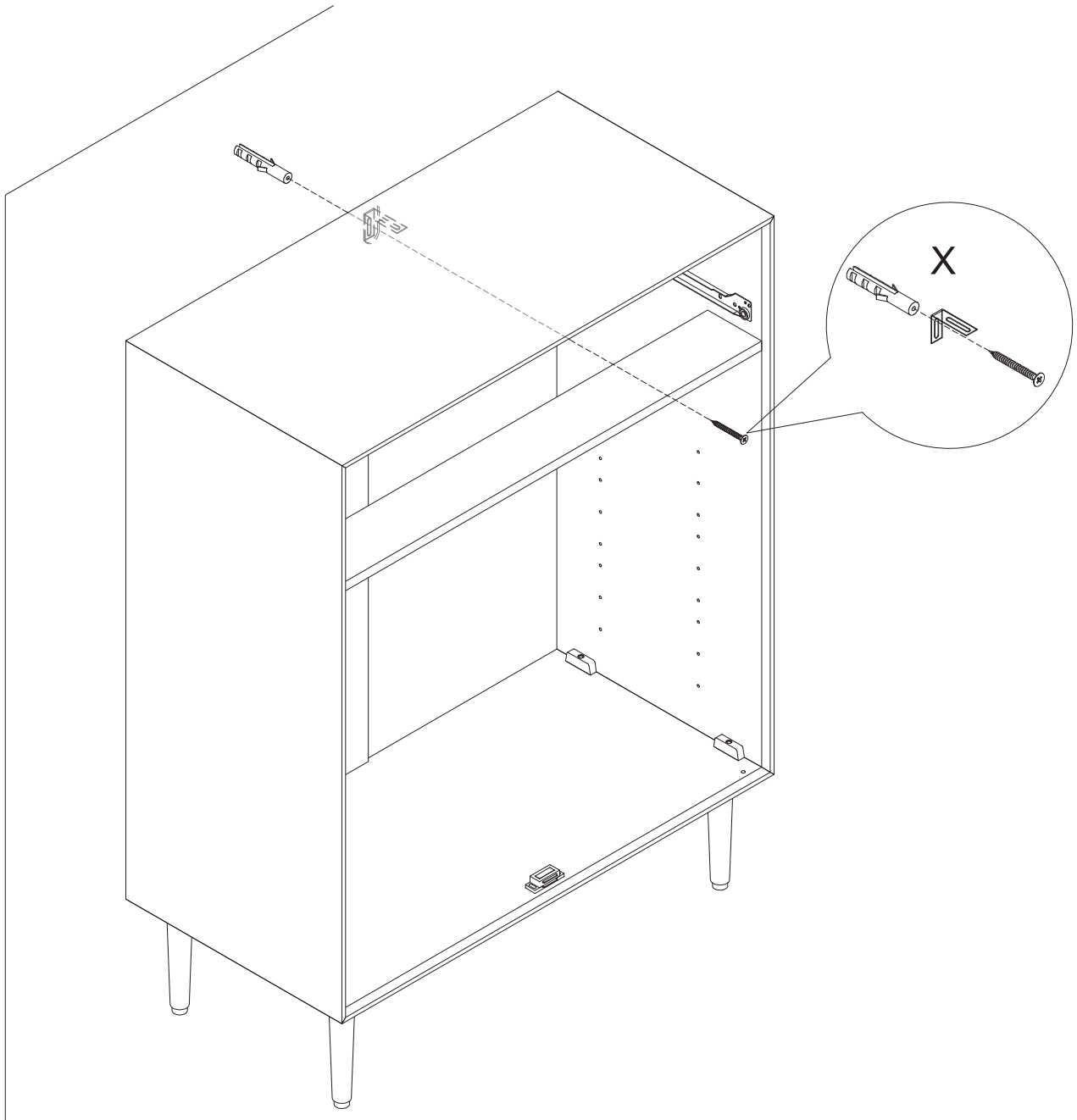
Gently adjust the panels sideways in either direction until the diagonal measurements of the frame are equal.

Holding the assembly in place, fix Wedge (W) with Screw (E).

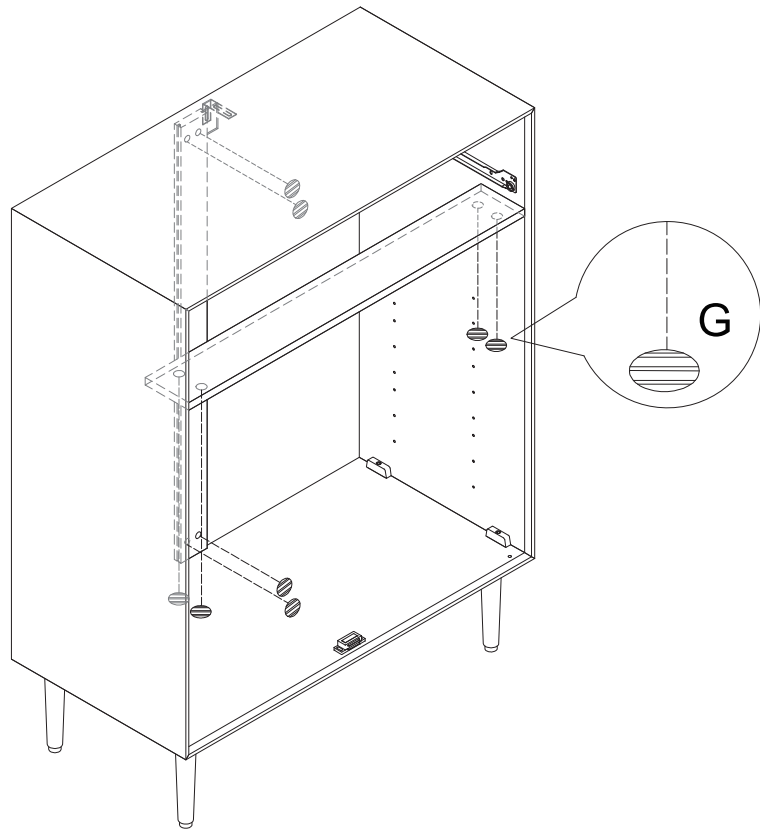


Step 14

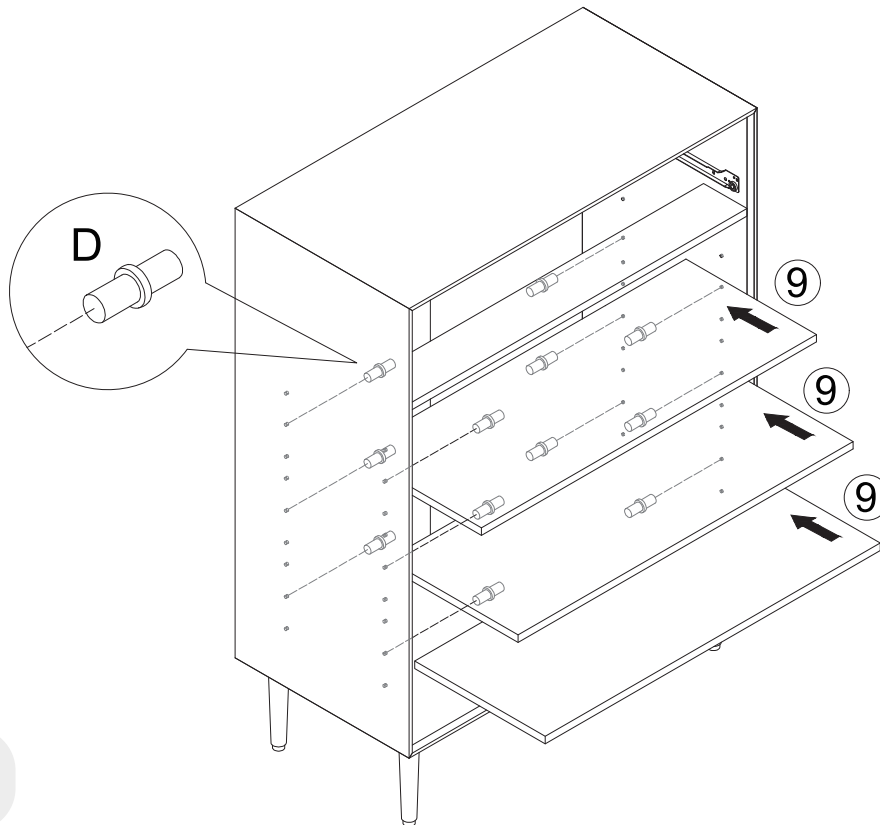
- (1) 
- (2) 
- (3) 
- (4) 



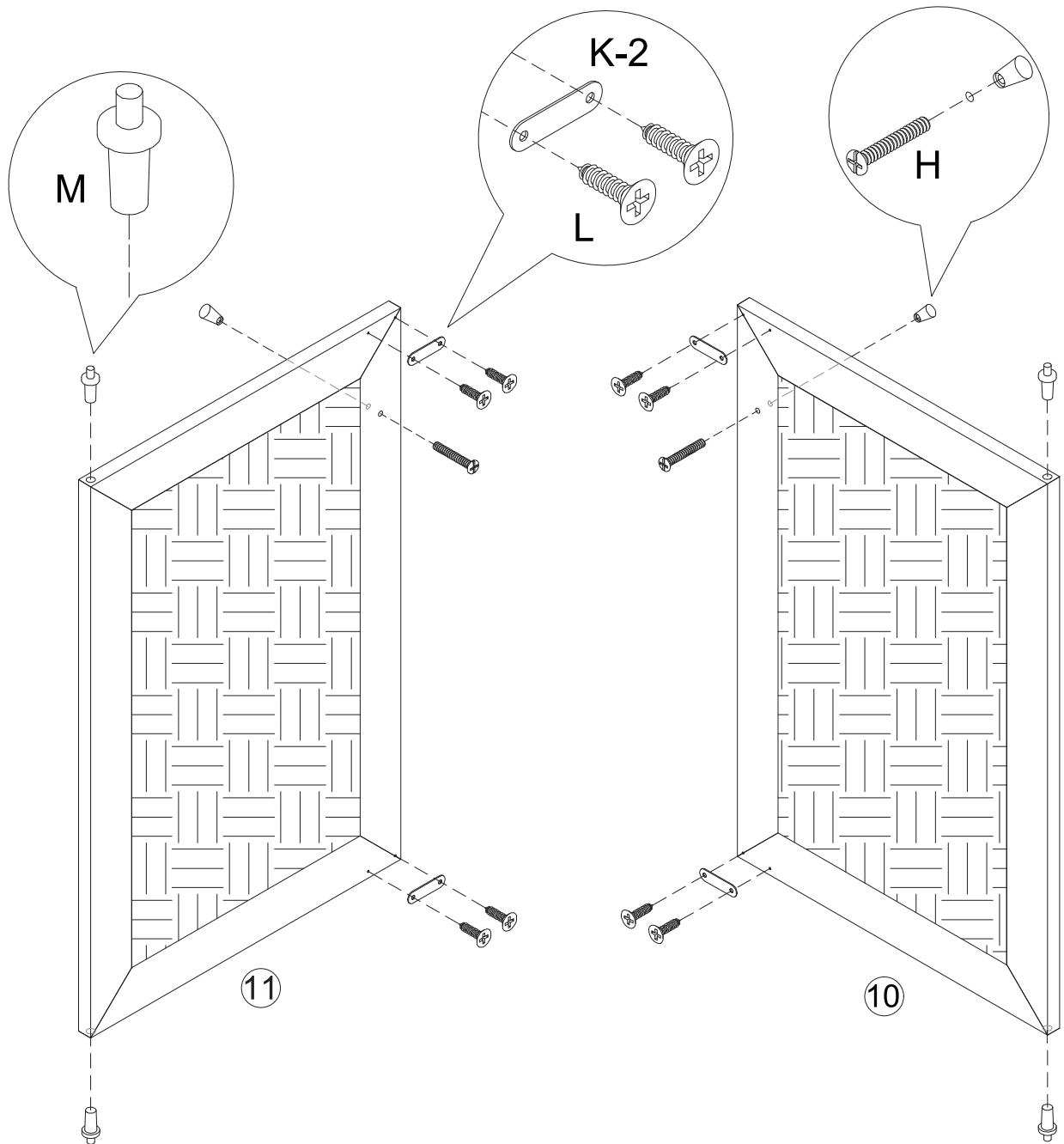
Step 15



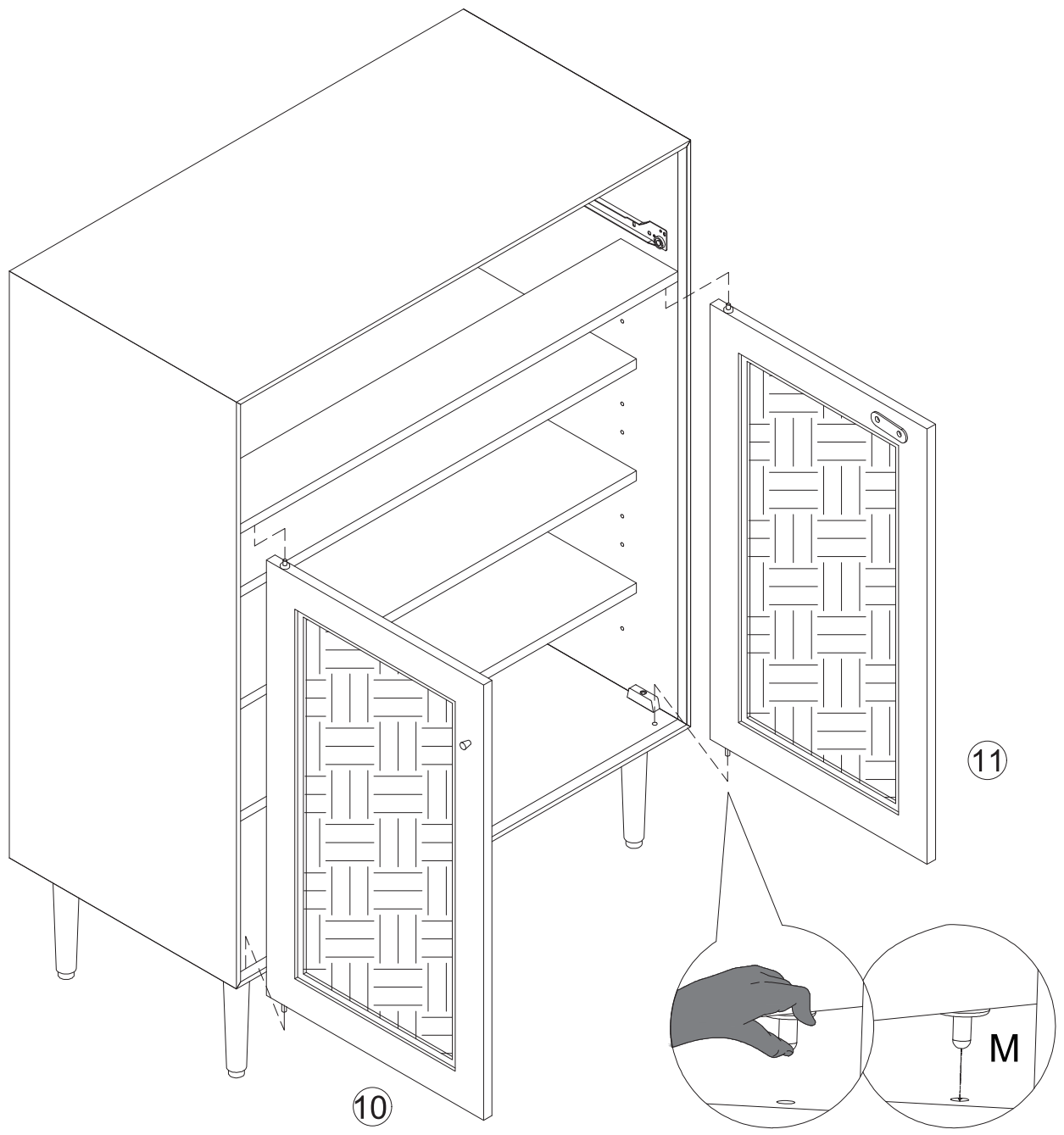
Step 16



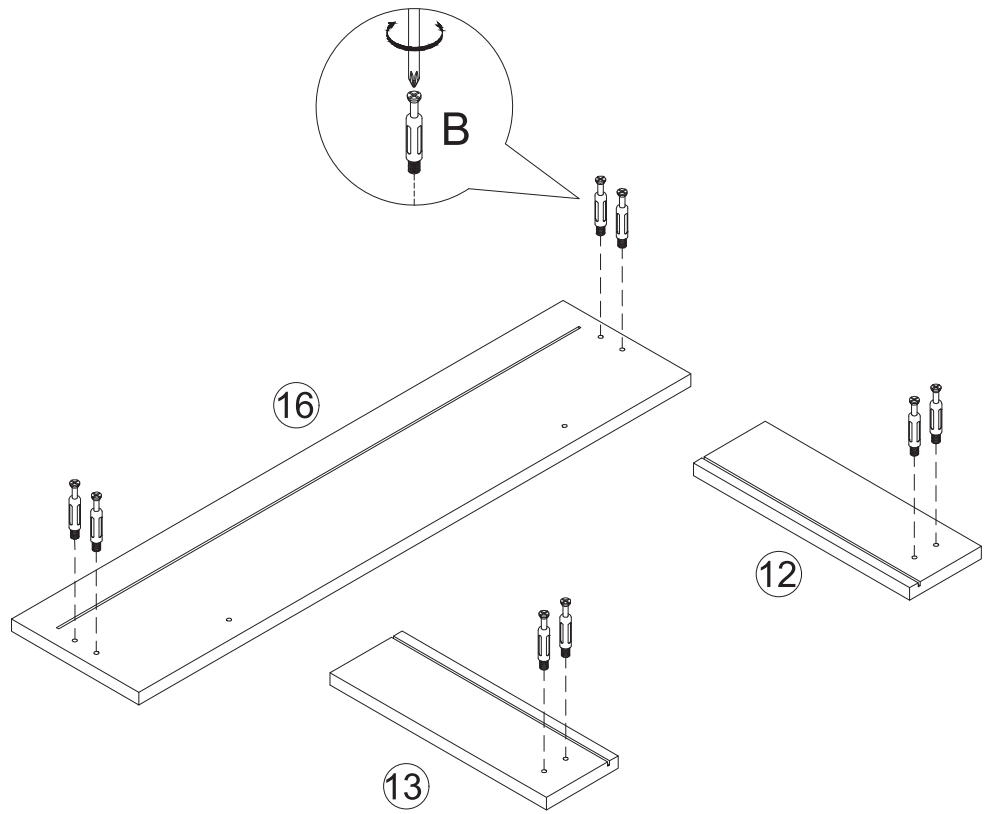
Step 17



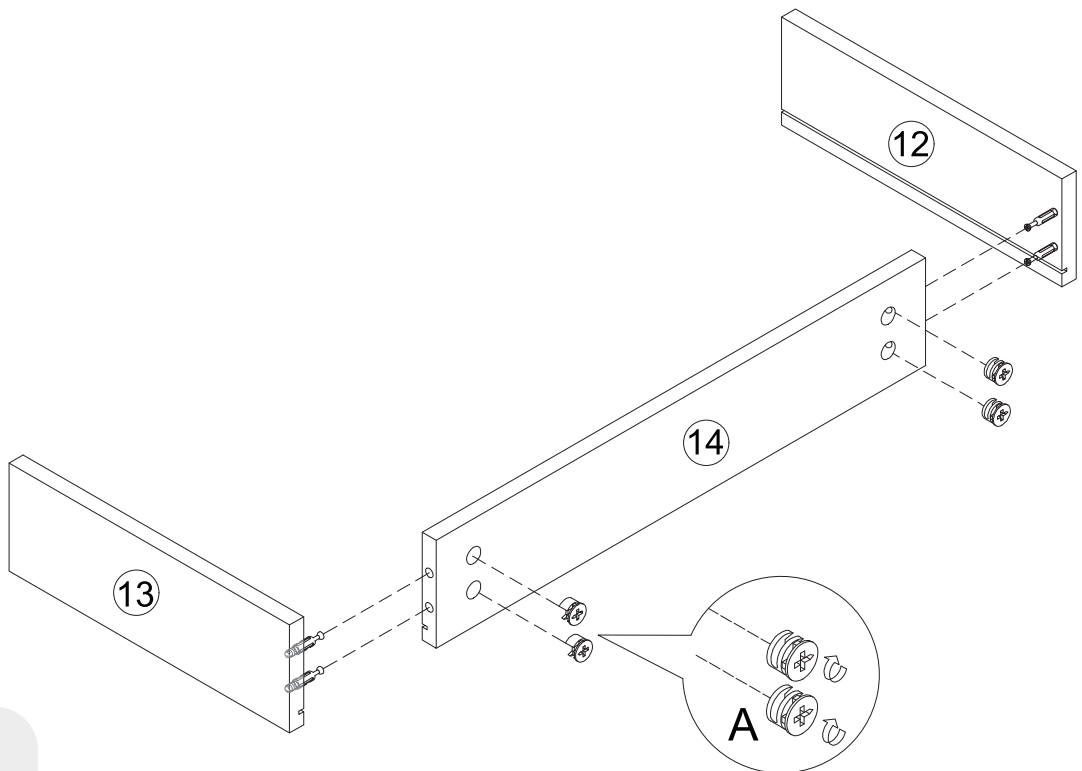
Step 18



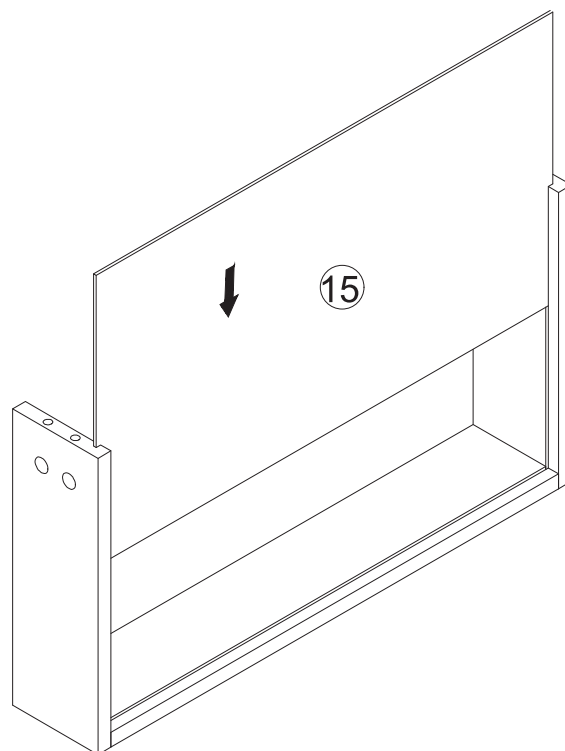
Step 19



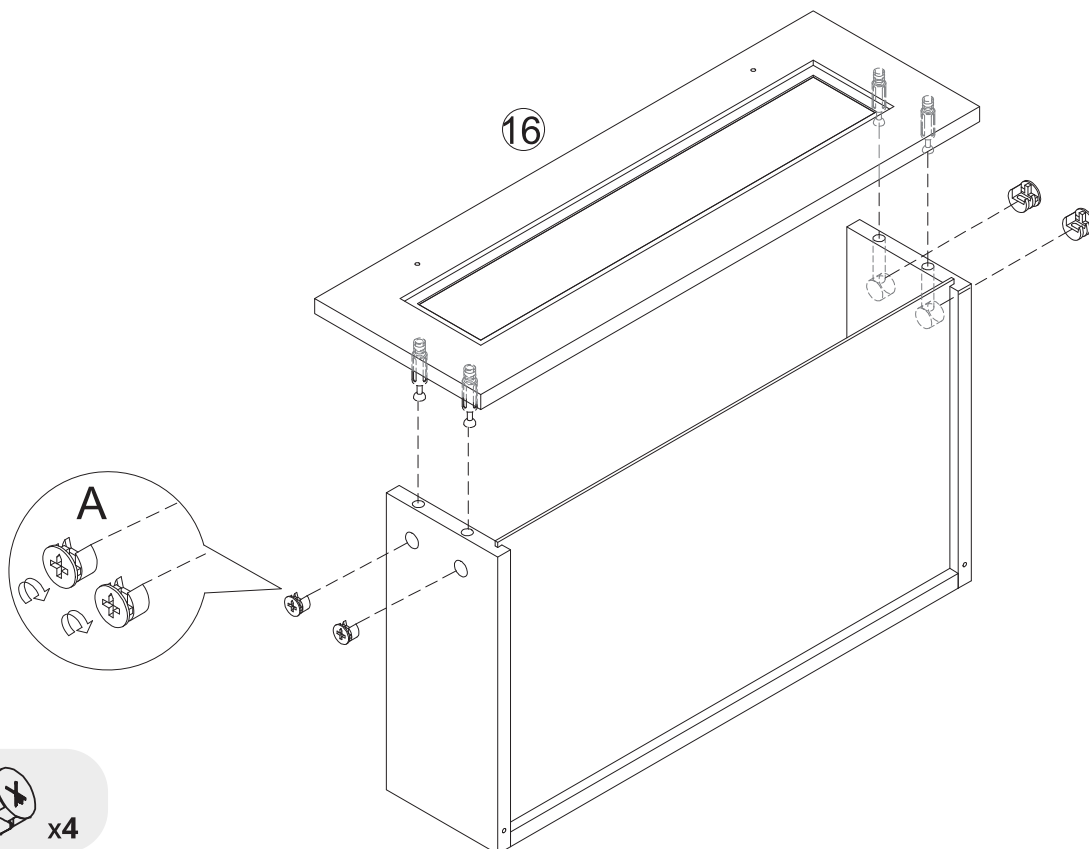
Step 20



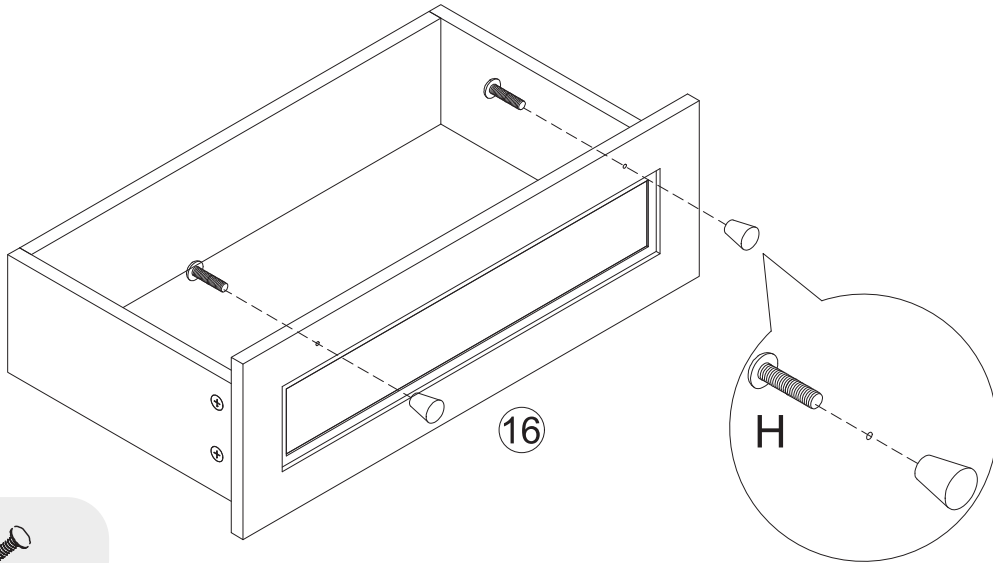
Step 21



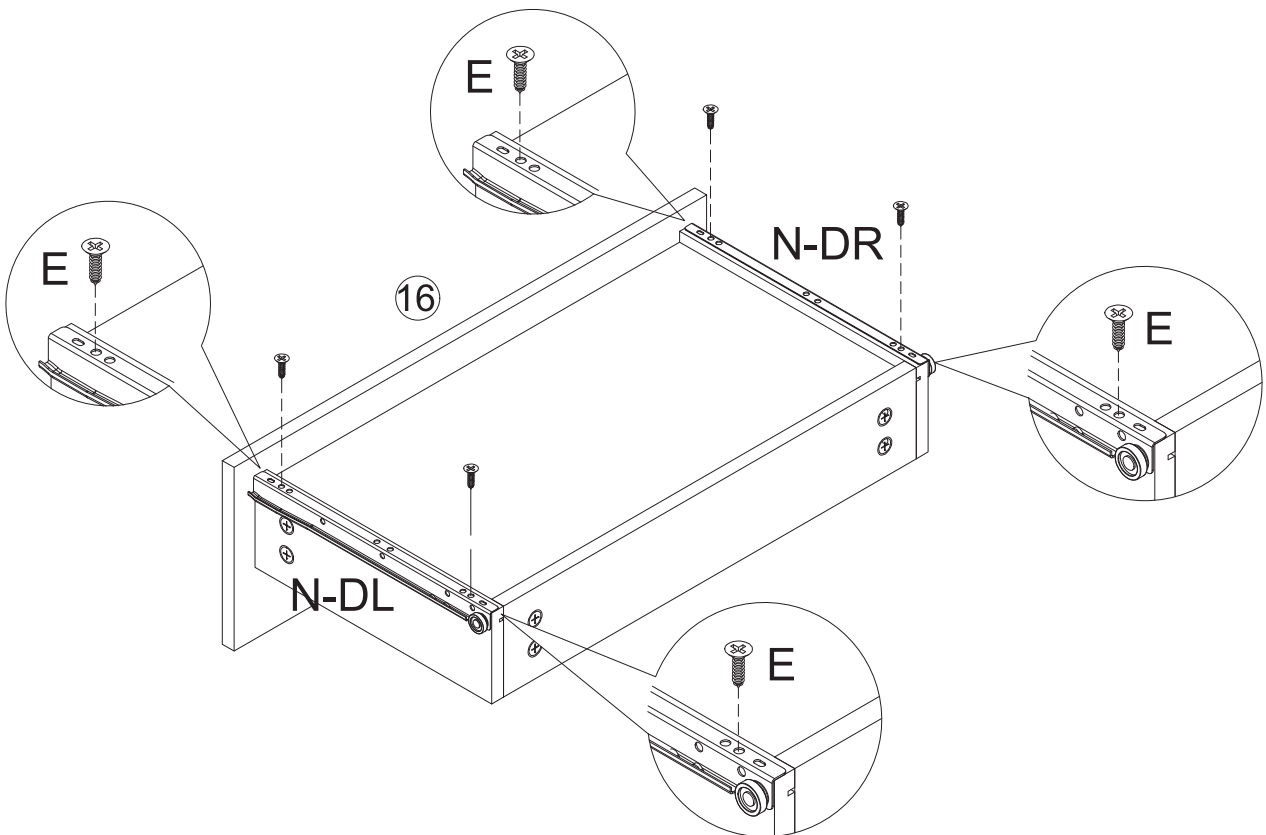
Step 22



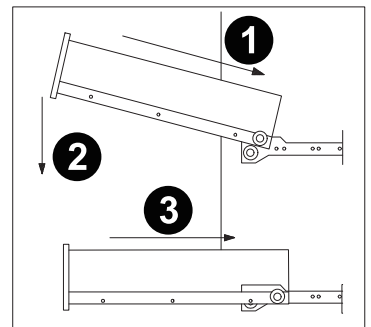
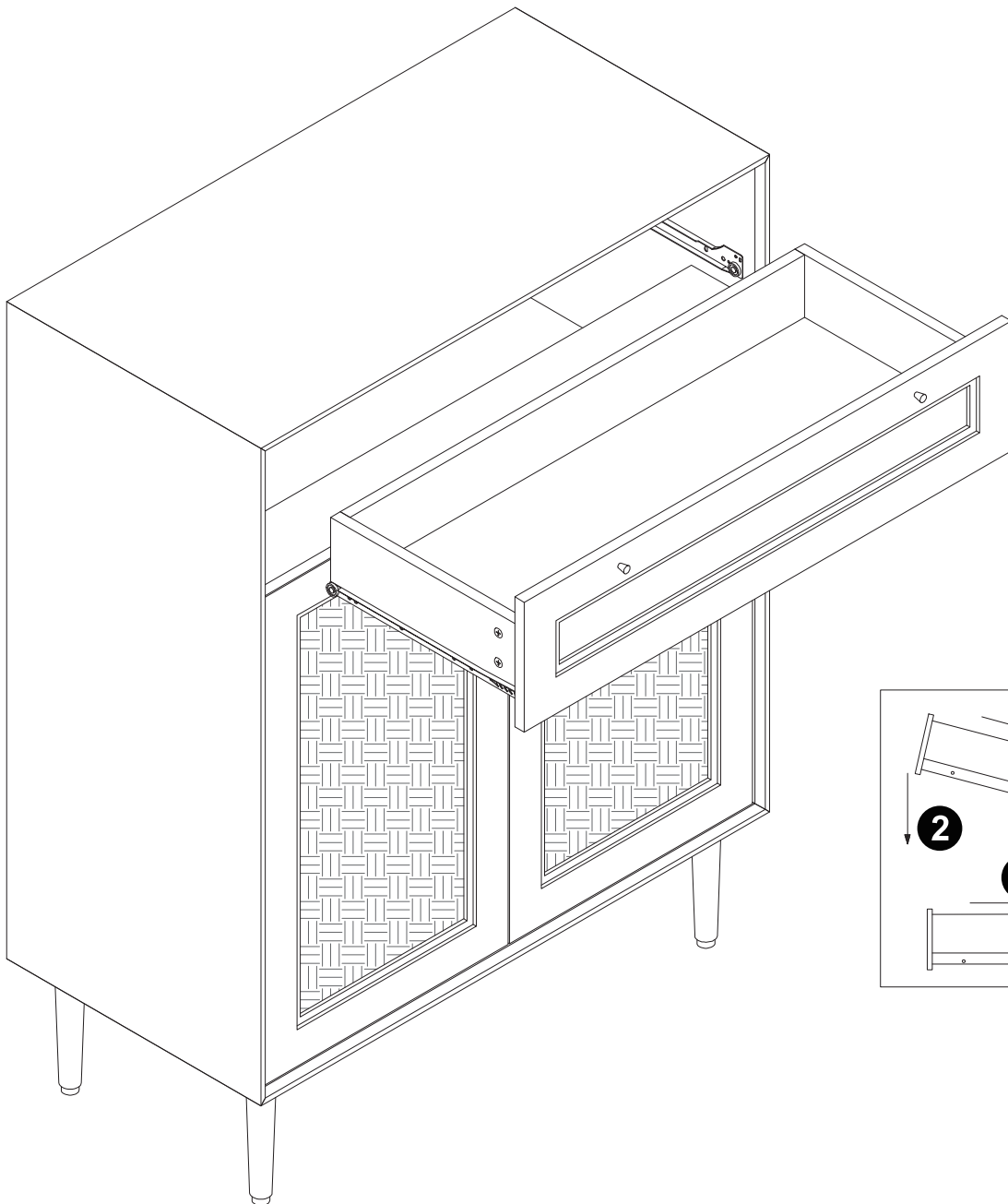
Step 23



Step 24



Step 25



CARE

INSTRUCTIONS

If treated with respect and love, your furniture will last a long time. Each piece requires light maintenance to maximize its longevity.

Here are a few quick tips before using this product:

- Avoid uneven weight distribution for a long time as it may cause damage to the product's shape.
- Check and tighten the camlock and screw periodically, as it may lose over time.

How to take care of it?

- Avoid direct sunlight or use curtains or blinds to limit sun exposure to the product.
- Clean the product regularly with a dry, soft cloth.
- Avoid using the abrasive or liquid cleanser.
- We recommend constantly attaching the provided floor protector to the leg ends to protect your floor.
- Avoid placing hot objects on the tabletop surface.
- Spillage may damage the surface. Clean immediately with a dry cloth.
- We recommend using placemats or coasters underneath glasses, cups, bowls, or plates to prevent scratches to the table surface.

Follow the care instructions and look after your furniture, in return, your furniture will look after you.