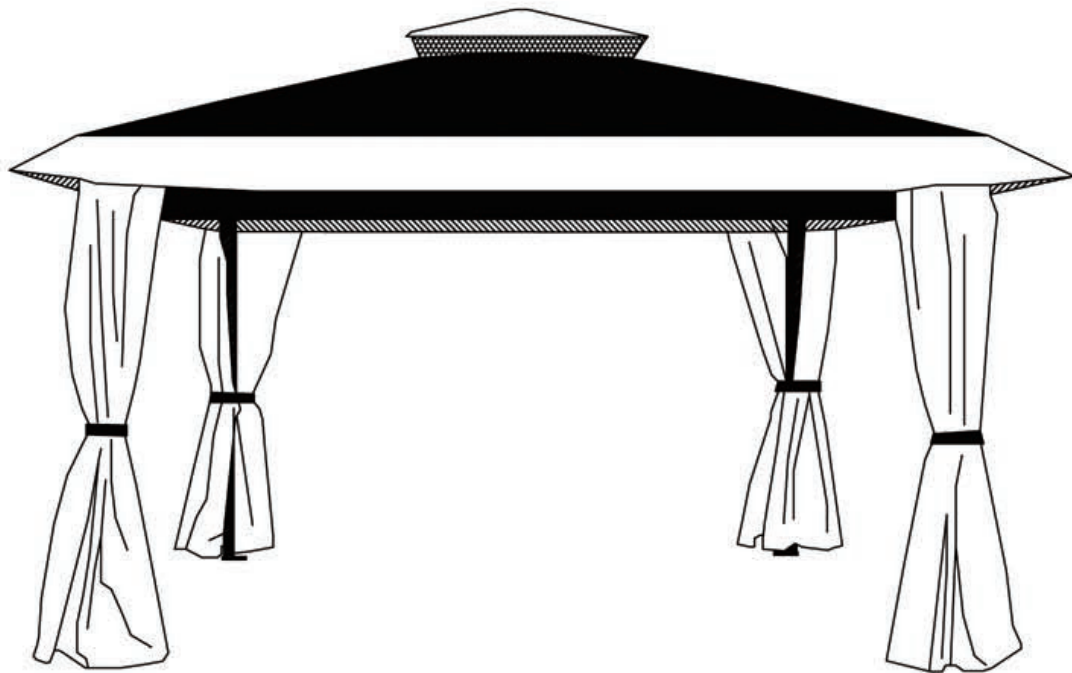


Garsing

Outdoor Leisure

Garsing 11 'x11 ' foldable gazebo Assembly Manual



Brand concept

Garsing, a top manufacturer and good designer, has decades of experience in manufacturing patio products. Each piece is sleekly designed, rigorously tested for durability, and assembly instructions have been standardized for simplicity from start to finish. Garsing always looks forward to creating a freedom lifestyle for more people, and more opportunities to explore the unknown and explore the value of life! Garsing hopes your leisure time delightful and comfortable by providing more patio products with reliable craftsmanship and durable material and 24 Hours service.

Our Service

30-day money back guarantee.

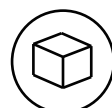
90-day warranty for quality-related issue with free replacement.

24 Hours Online Customer Service FOR YOU!

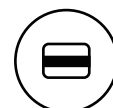
Reminder: Be sure to use your product as directed.

WhatsApp: 0086-13905747420

EMAIL: servicefunsite@gmail.com



Order Status



Installation Help

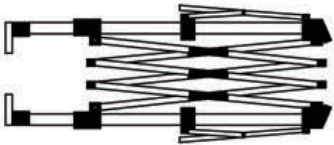








Gift Cards



New Product Discount

Parts List

Frame	1 PC	
Small canopy	1 PC	
Main canopy	1 PC	
Mosquito netting	1 PC	
Stake	8 PC	
Rope	4 PC	
Bag	1 PC	

Maintenance

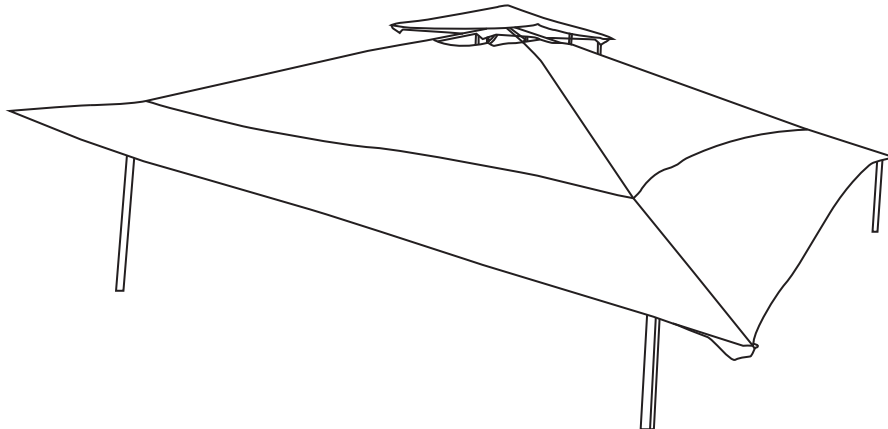
1. Never set up or continue to use this product in potentially inclement weather including wind, rain, snow, and lightning storms. Wind and rain may damage the gazebo which could result in injury to the user. The gazebo should not be used as a shelter during heavy or prolonged rainfall.
2. The is designed for temporary use and not as a permanent structure. Do not leave the gazebo erected or unattended for extended periods of time.
3. Always anchor gazebo stakes or weights.
4. Do not use this gazebo near an open fire or any heat source.
5. Use caution when opening and closing the frame and take care to avoid pinching fingers.
6. Make sure all fabric is completely dry before storing to avoid mildew.
7. Spot clean with a mild soap and water. Do not bleach, dry clean, or use a washing machine on any portion of the fabric.
8. If the frame becomes loose, gently tighten bolts.
9. Seam sealer from a local hardware or sporting goods store can be used on the top if leaking occurs.
10. This package contains small items and plastic bags that should be kept away from children.

Set-up Instruction

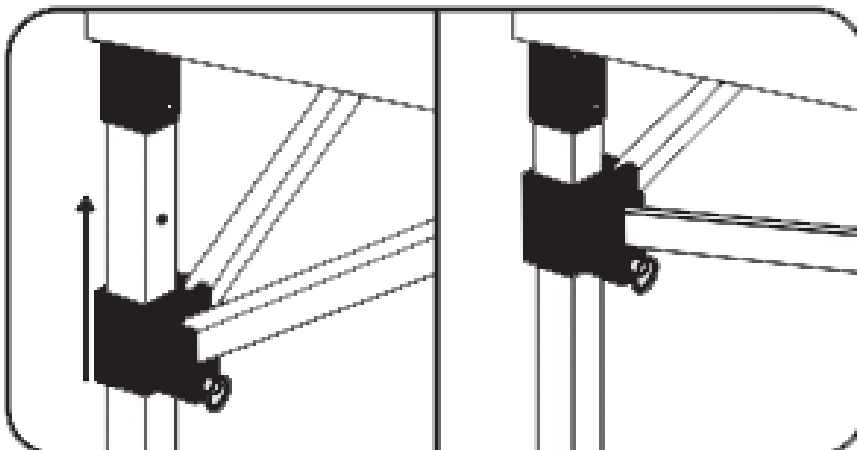
- ① Place the frame in the center of the desired location, stand opposite a partner and lift frame off the ground walking backwards away from partner and stopping at full arms length.



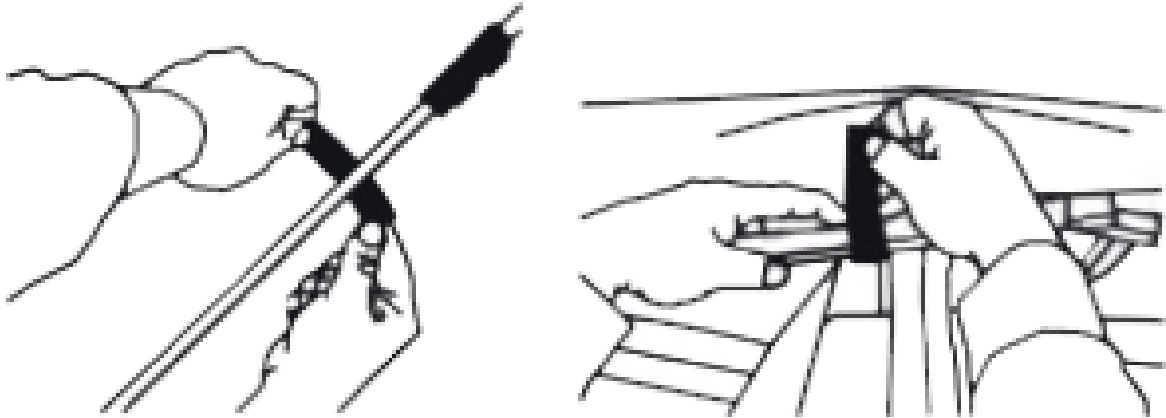
- ② Begin by attaching top canopy, then install the main canopy.



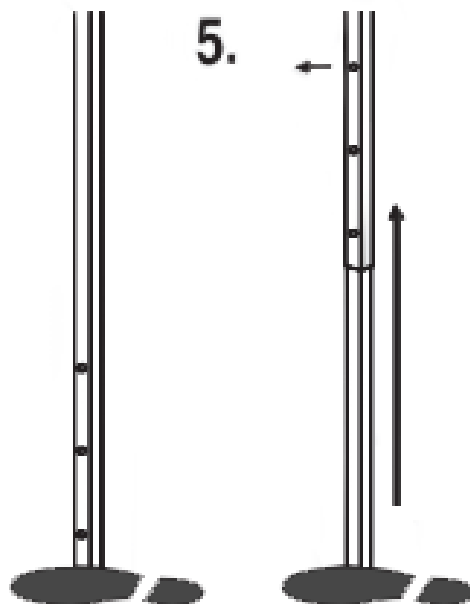
- ③ Engage the slider at each corner by placing one hand on the truss, one hand on the top of the leg and pushing up until the pin "clicks" in place.



- 4** Attach the hook and loop straps to overhead truss bars.



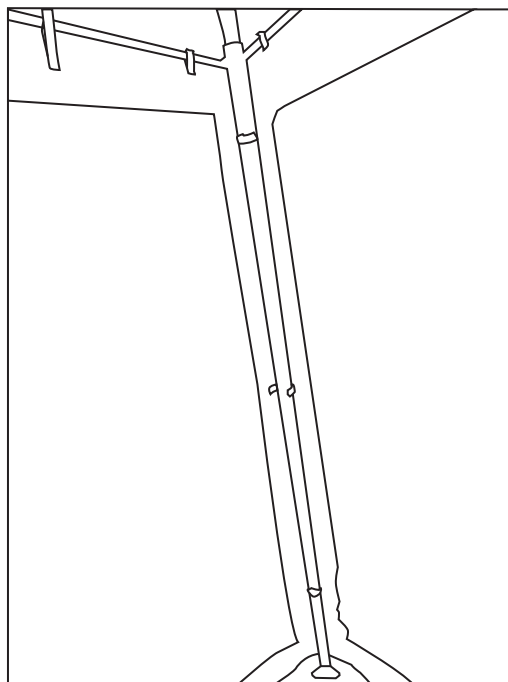
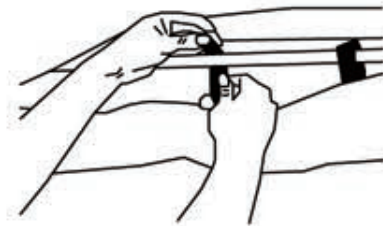
- 5** Extend each inner leg to raise gazebo to the desired height by stepping on the lower footpad and allowing the snap button to lock in place.



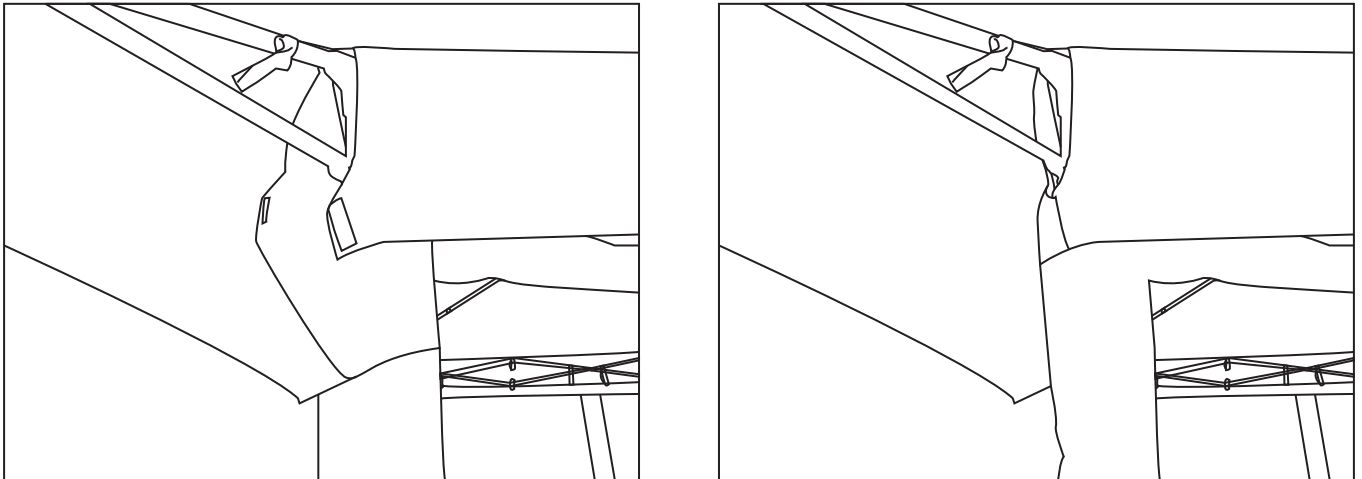
- ⑥ Put four stakes through the hole on each base foot.
This will keep the frame stable in mild weather conditions.



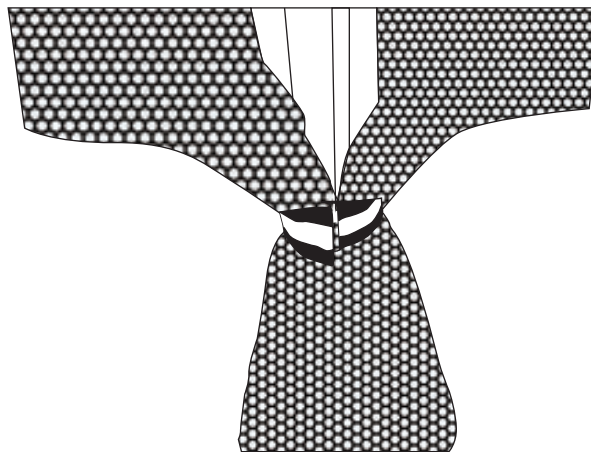
- ⑦ Attach the hook and loop straps of netting screen walls to each corner poles and overhead truss bars.



8 Attach the hook and loop straps of main canopy



9 Zip the screen all around to keep insects out or leave one side unzipped as an entrance, by adjusting the attachment location of netting screen walls at cross beams.



10 Measure out from the leg to a proper distance and secure the four big anchors to ground at 45 degree angle. Tie up one end of each guy rope to locate on the outside fabric corners. The other end of each rope to the stake on the ground. Make sure the guy ropes have the proper tension.

