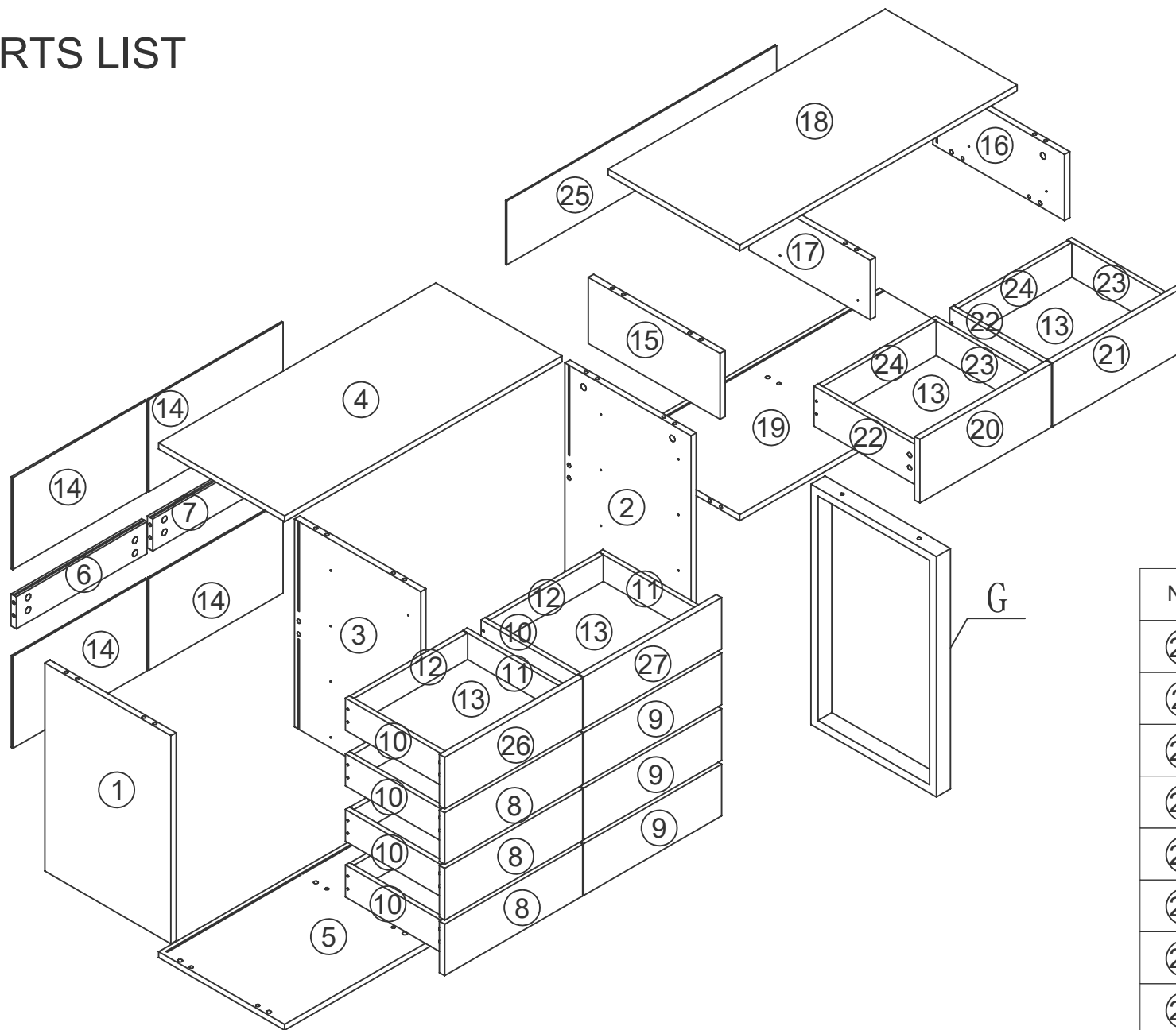




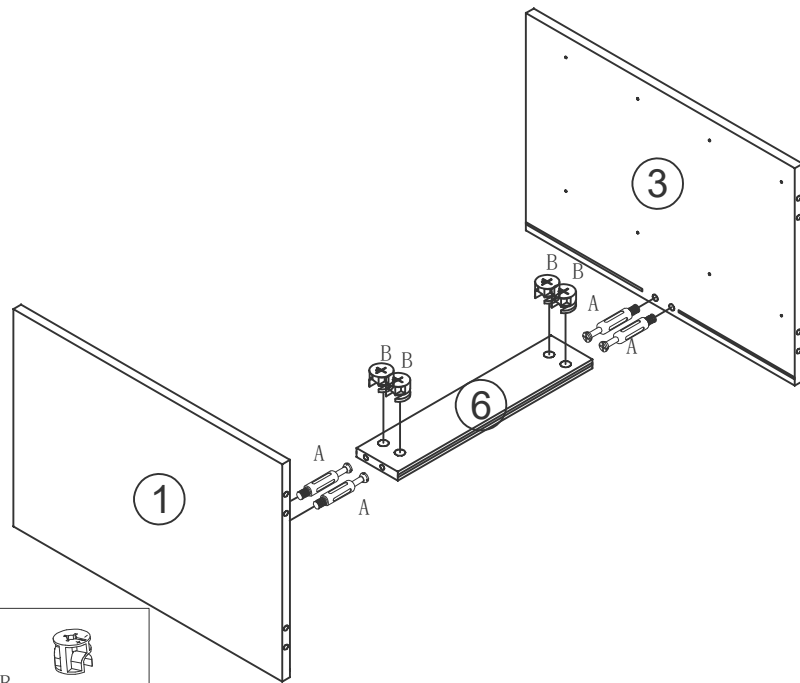
# PARTS LIST





NO.	QTY.
①	1
②	1
③	1
④	1
⑤	1
⑥	1
⑦	1
⑧	3
⑨	3
⑩	8
⑪	8
⑫	8
⑬	10
⑭	4
⑮	1
⑯	1
⑰	1
⑱	1
⑳	1
㉑	1
㉒	1
㉓	1

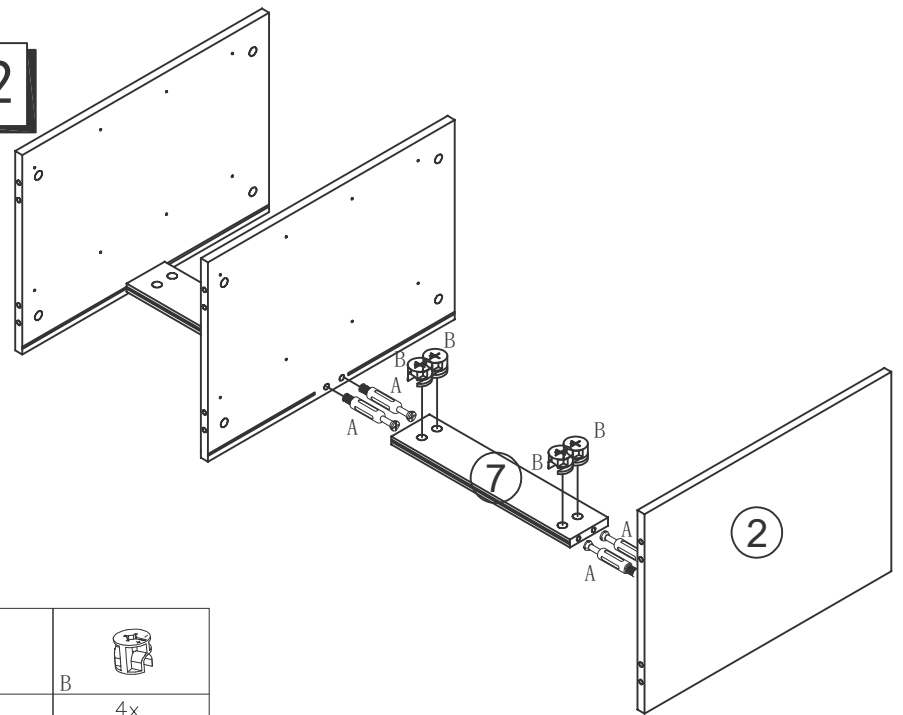
NO.	QTY.
⑳	1
㉑	1
㉒	2
㉓	2
㉔	2
㉕	1
㉖	1
㉗	1
㉘	1
㉙	1



1



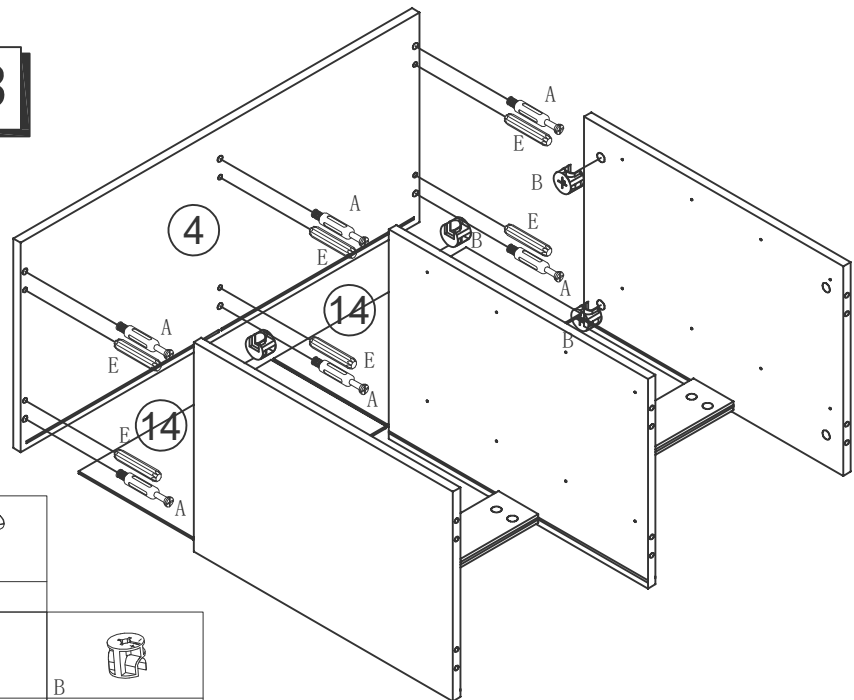
	
A 4x	B 4x




2



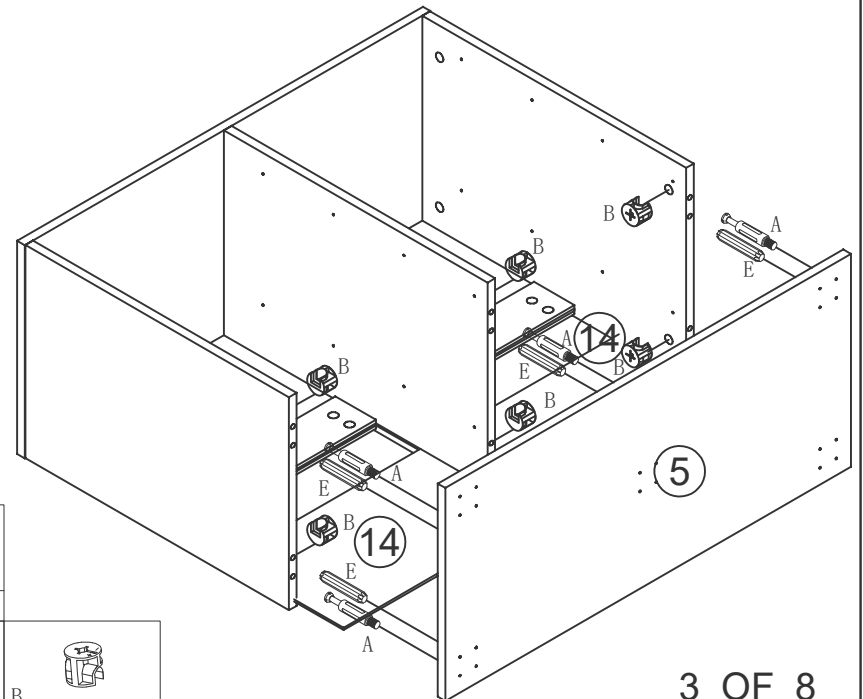
	
A 4x	B 4x

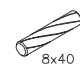


3



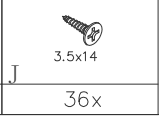
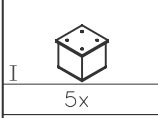
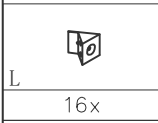
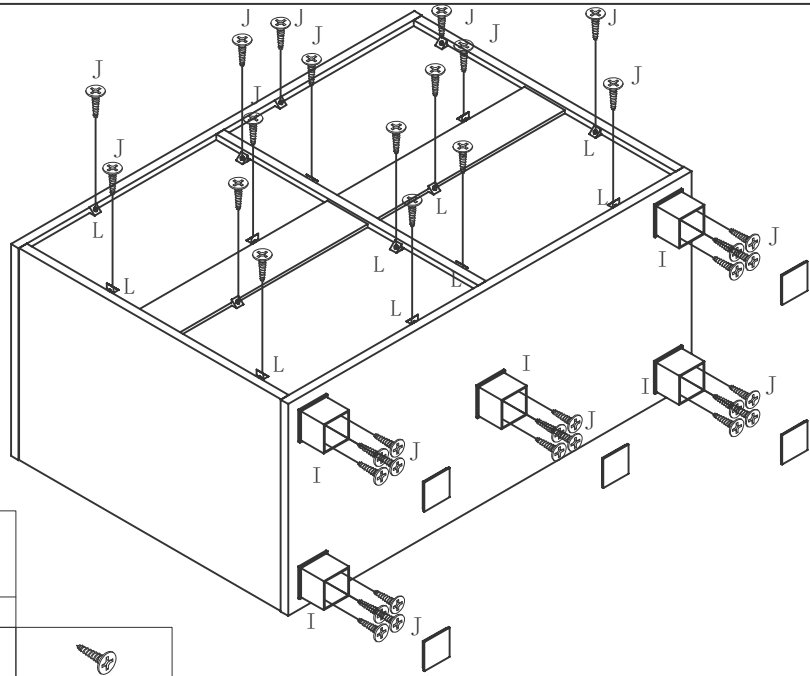
	
E 8x40 6x	
	
A 6x	B 6x

4

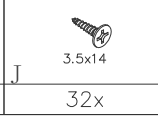
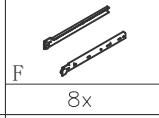
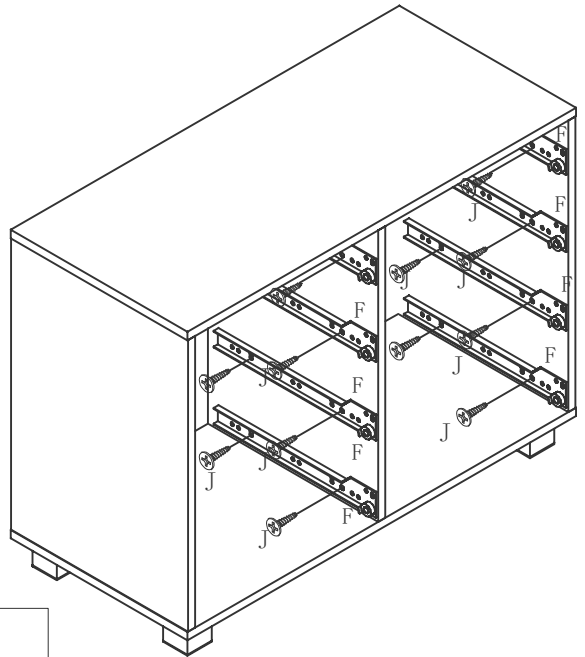


	
E 8x40 6x	
	
A 6x	B 6x

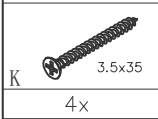
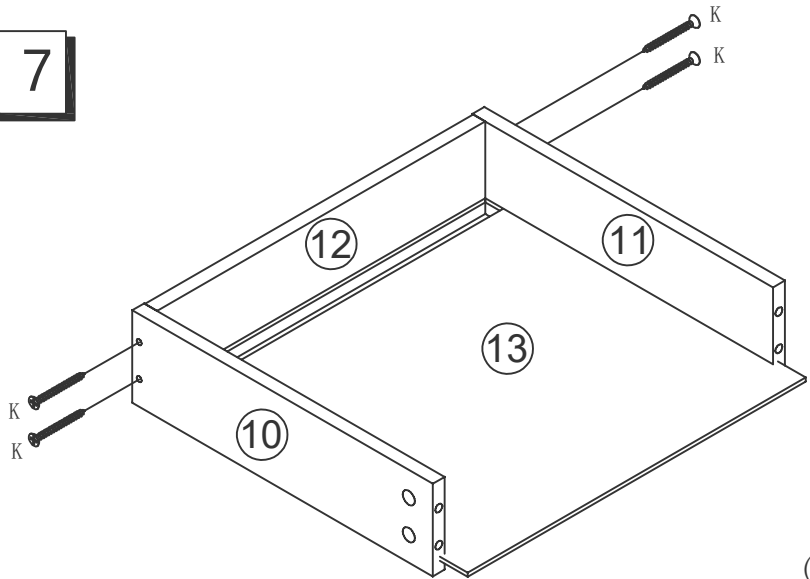
5



6

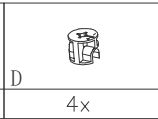
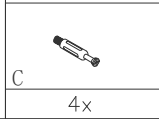
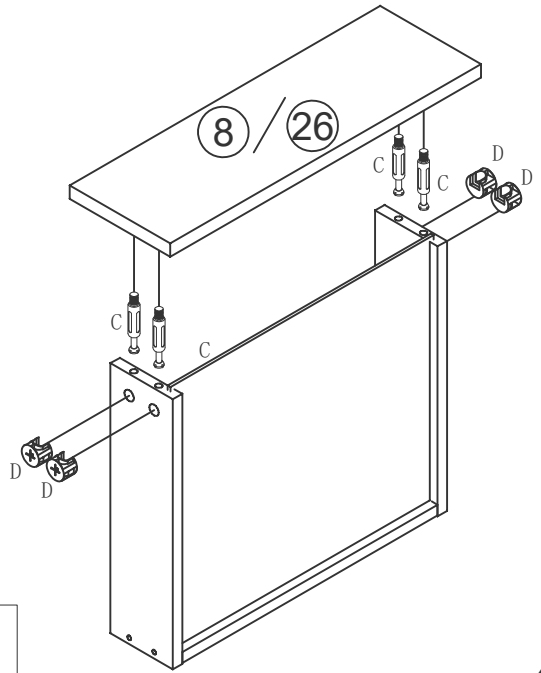


7



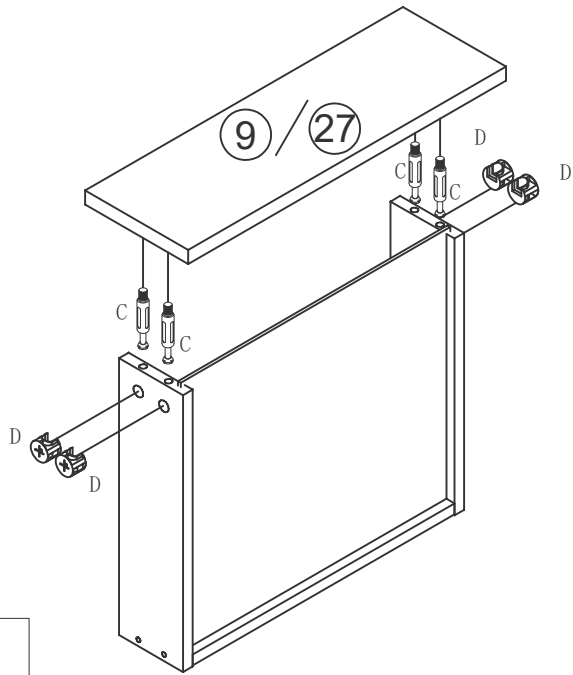
(× 8PCS)

8





(× 4PCS)

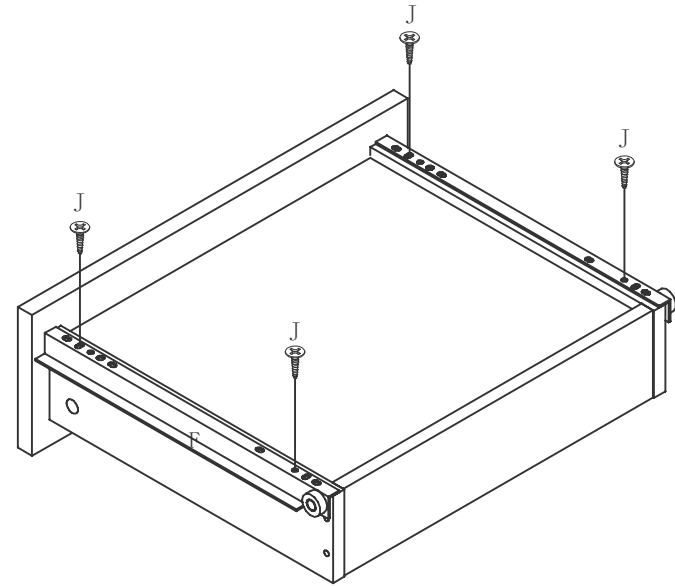
9





(×4PCS)

	
C 4x	D 4x

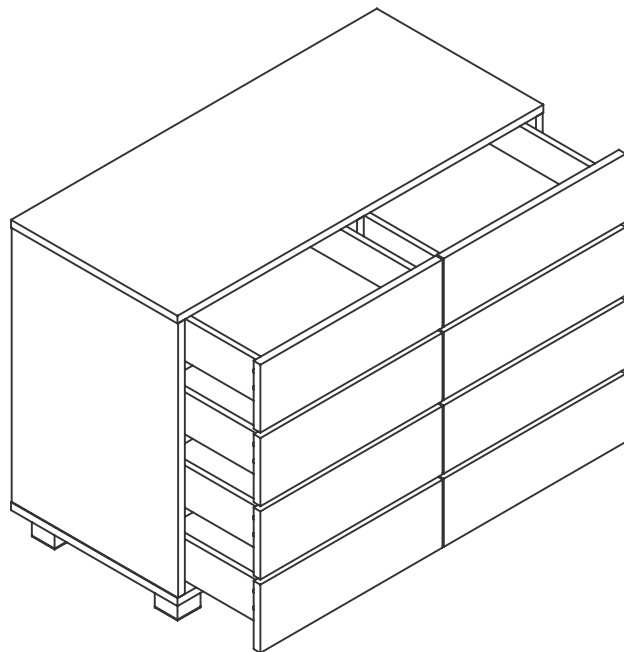
10



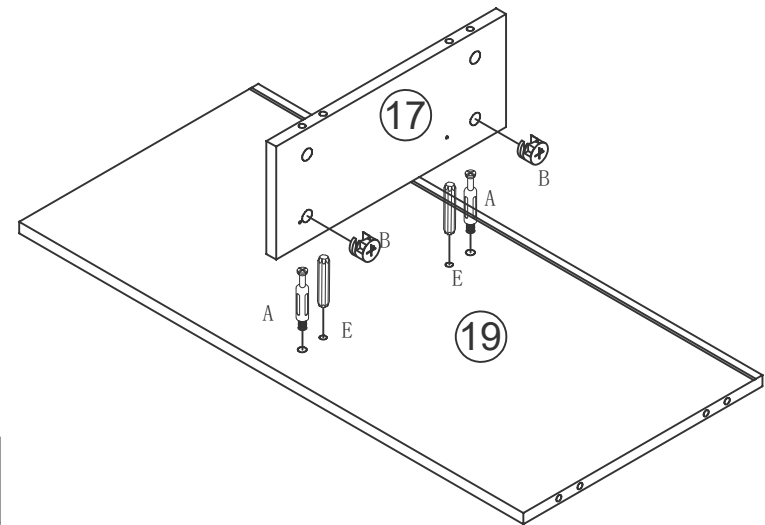
(×8PCS)





	
F 1x	J 3.5x14 4x

11

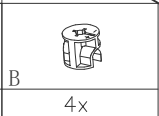
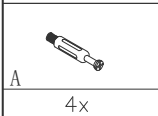
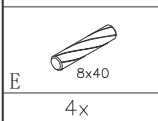
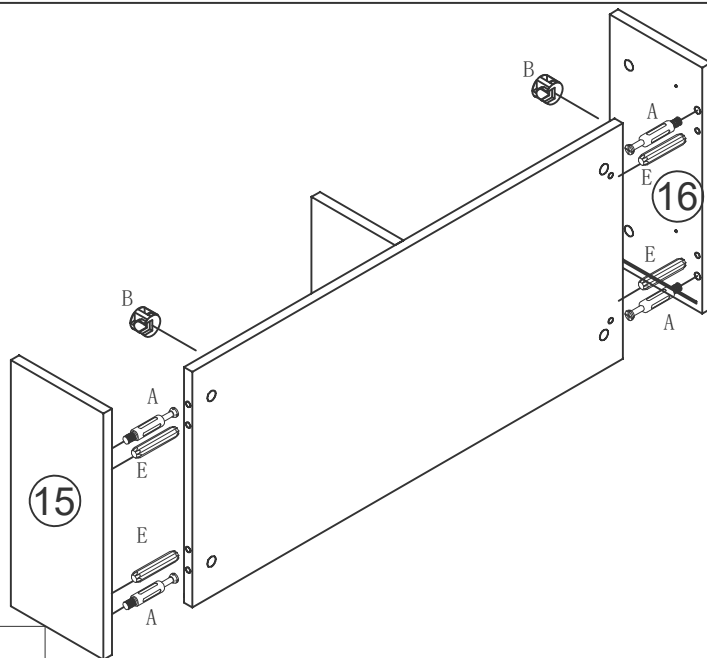


12

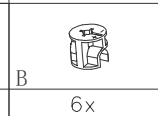
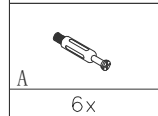
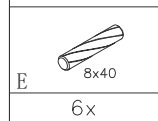
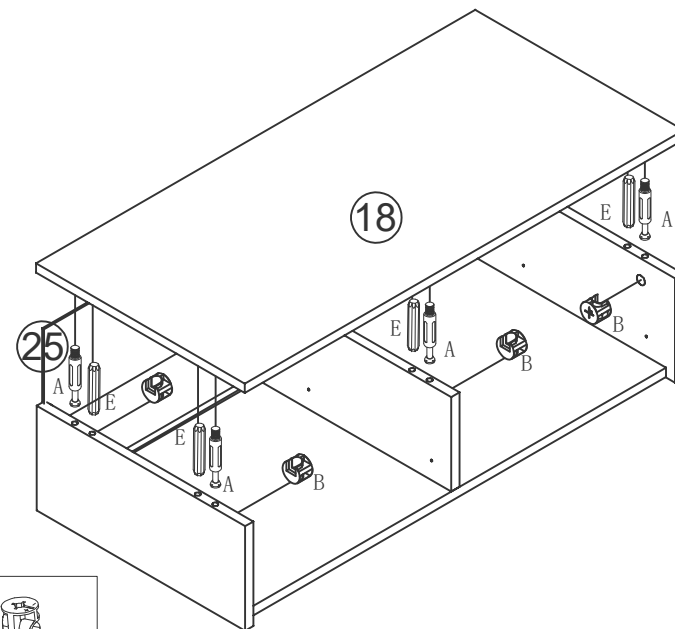


	
E 8x40 2x	B 2x
	
A 2x	B 2x

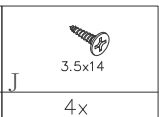
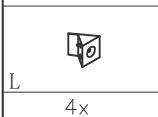
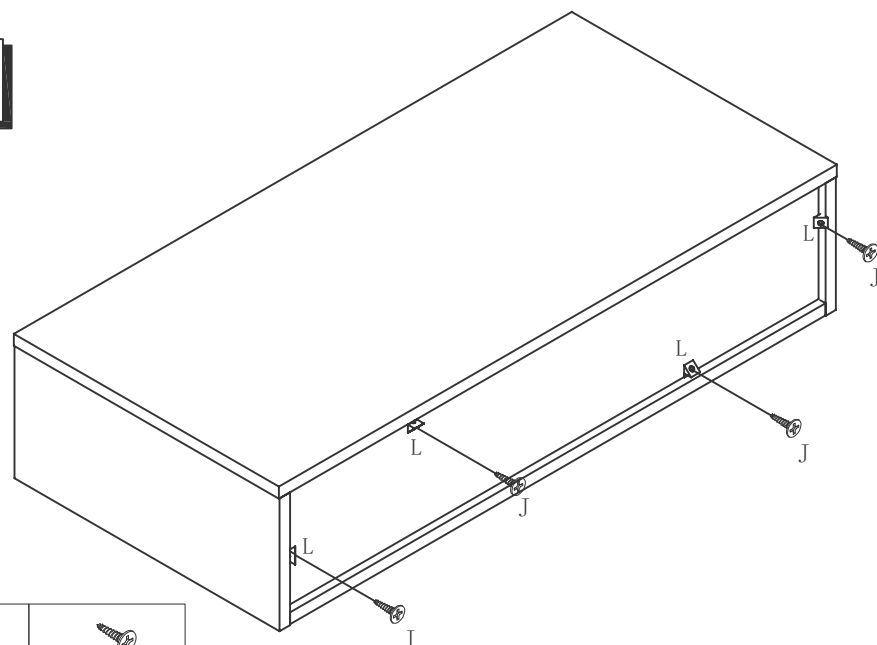
13



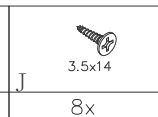
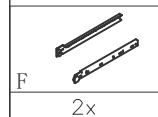
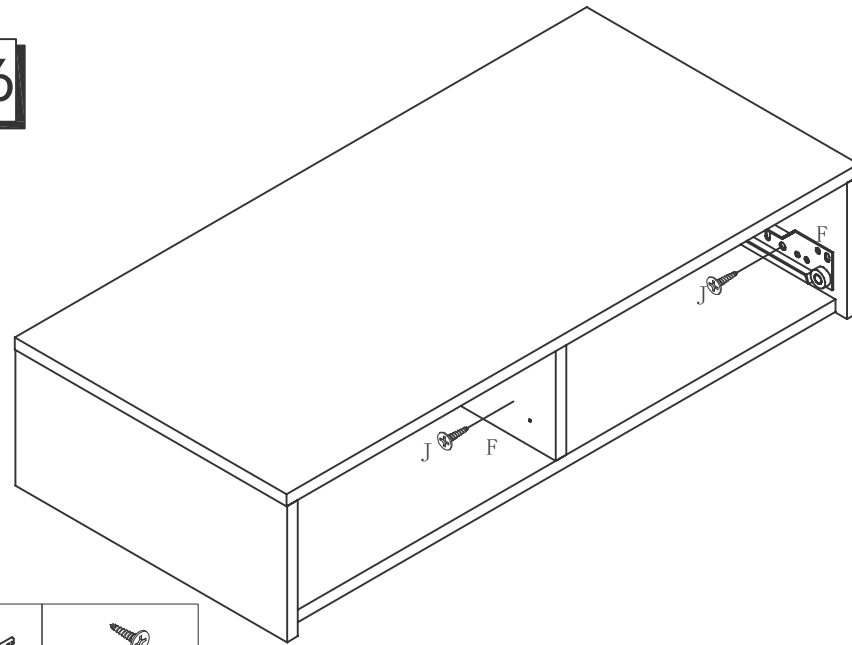
14



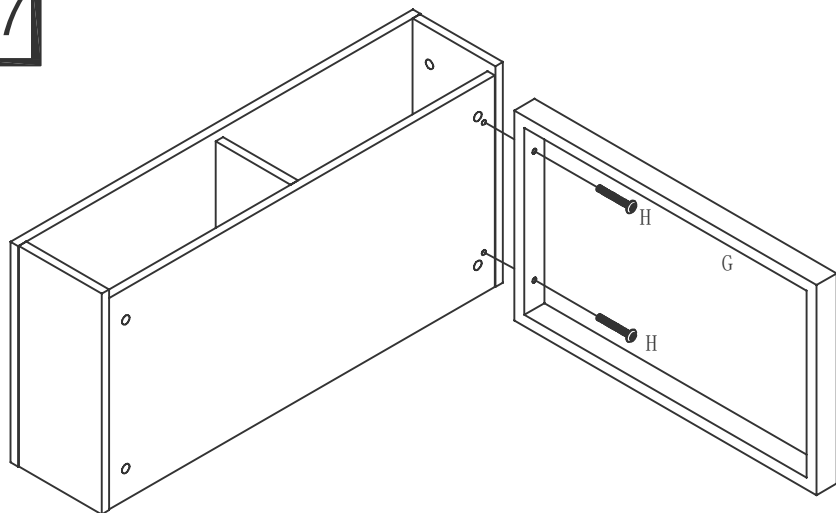
15



16

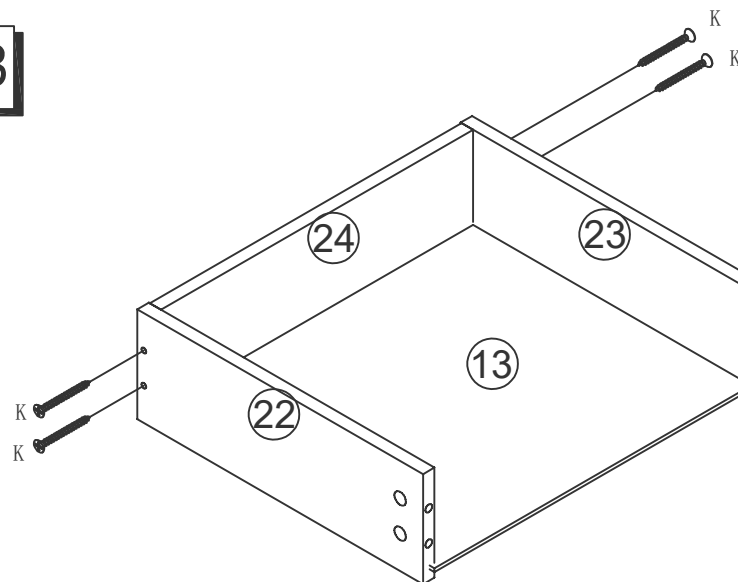


17



G	H M6x30
1x	2x

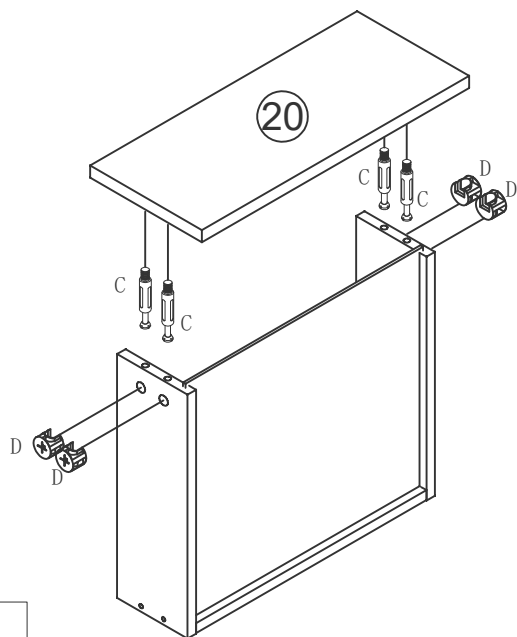
18



K	3.5x35
4x	

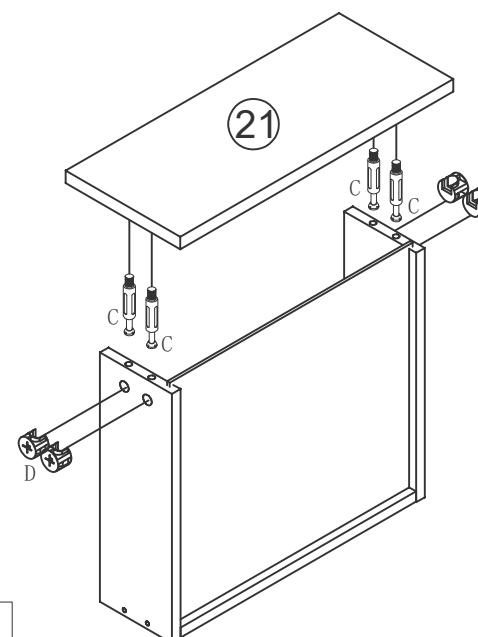
(x2PCS)

19



C	D
4x	4x

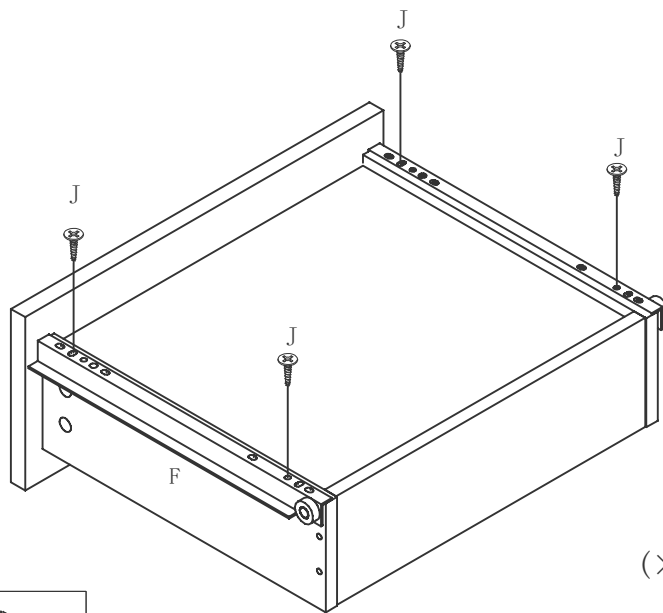
20





C	D
4x	4x

7 OF 8

21



(×2PCS)

	
F 1x	J 3.5x14 4x

22

