



INSTRUCTION MANUAL

NOTICE:

IMPORTANT, KEEP FOR FUTURE REFERENCE PLEASE READ CAREFULLY.

IF YOU HAVE ANY CONCERNS ABOUT THE PRODUCT, PLEASE FEEL FREE TO CONTACT US BEFORE YOU LEAVE A REVIEW.

CAUTION:

1. The installation requests a professional electrician to operate. Please make sure the installation environment ventilating and dry.
2. Wearing gloves during installation to prevent yourself from scratching by the fixtures.

or electric wire. Be sure the power has been turned off before operation.

3. Make sure the fixture is away from corrosive chemicals and air such as acid and alkali. Clean the fixture by wiping it with a dry rag.

4. Do not touch the bulb when the fixture is turned on or look directly at the lit bulb. Keep flammable materials away from the lit bulb.

5. To reduce the risk of fire, electrical shock, and personal injury, always turn off and unplug the fixture and allow it to cool before replacing the light bulb.

6. US standard: Live wire (L) is black, neutral wire (N) is white, and the ground wire is yellow.

STEP-BY-STEP INSTALLATION (refer to fig. 1)

1. Shut off the power at the circuit breaker and remove the existing fixture, including the crossbar.

2. Carefully unpack your new fixture and lay out all the parts in a clear area, Be careful not to lose any small parts necessary for installation.

3. Remove the mounting screw from the light fixture.

4. Secure bracket to the junction box using junction box screw.

5. Connect the wire (N) from the light fixture to the white supply wire (N) from the junction box using a wire connector.

Connect the wire (L) from the light fixture to the black supply wire (L) from the junction box using a wire connector.

6. After wires are connected, tuck them carefully inside the junction box.

7. Mount the canopy onto the bracket and secure it with the mounting screw.

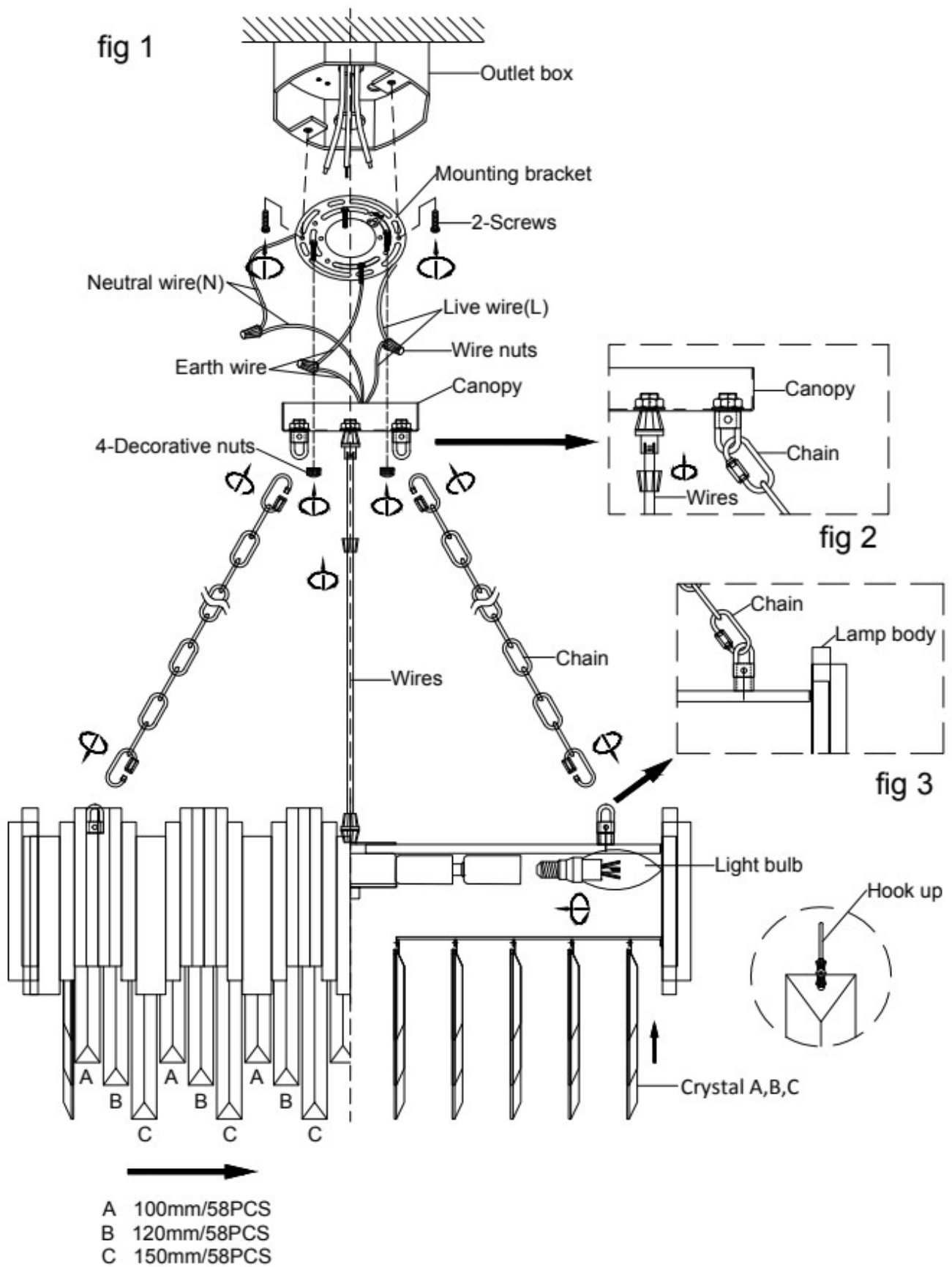
8. Adjust the chain length to satisfy your requirement of light fixture height.

9. Add the E12 bulbs, and turn on the power, check whether the light fixture works normally or not.

10. Ensure the light fixture work normally, then install the crystal. There are three sizes of the crystals: A/B/C, we suggest hanging them by using butterfly clips, in the order of ABC ABC ABC to achieve the best visual effect.

HEIGHT ADJUSTMENT(refer to fig. 2.3)

NOTE: It is recommended to make any major adjustments to the height of the light fixture before installation. Lose the chain lock, and then adjust your desired length, tighten the chain lock on the lamp body and the canopy.



Package List:

Metal lamp body	1	PCS
Crystal A	3	BAGS
Crystal B	3	BAGS
Crystal C	3	BAGS
Chain	3	PCS
Butterfly clips	1	BAG
Mounting bracket	1	PCS
Decorative nuts	4	PCS
canopy	1	PCS
Accessories Bag	1	BAG
Installation Instructions	1	PCS

✂The package include extra crystal pieces. The Number of Spare Crystals :

Crystal A	5	PCS
Crystal B	5	PCS
Crystal C	5	PCS

This product compatible with **E12** bulbs (Not included in the package).

