

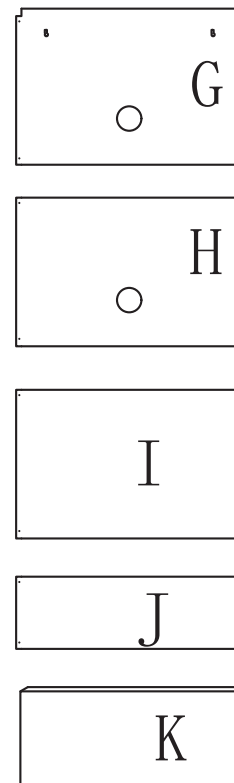
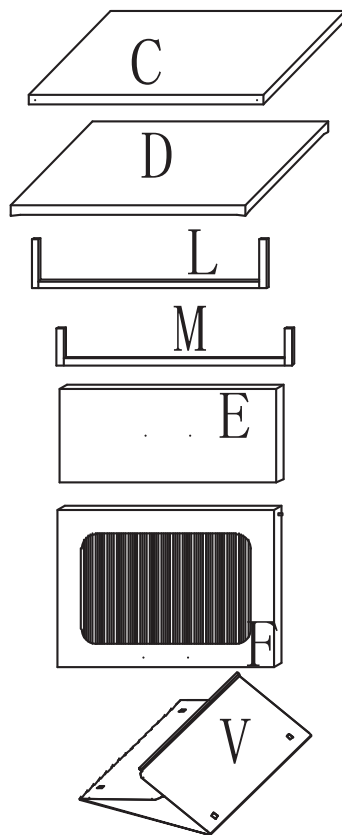
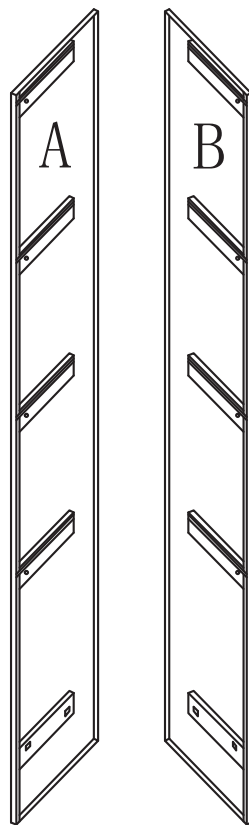
Important











Thank you for your purchase.

Please open it carefully Returns will only be accepted in the original package.

If there are any quality issues,

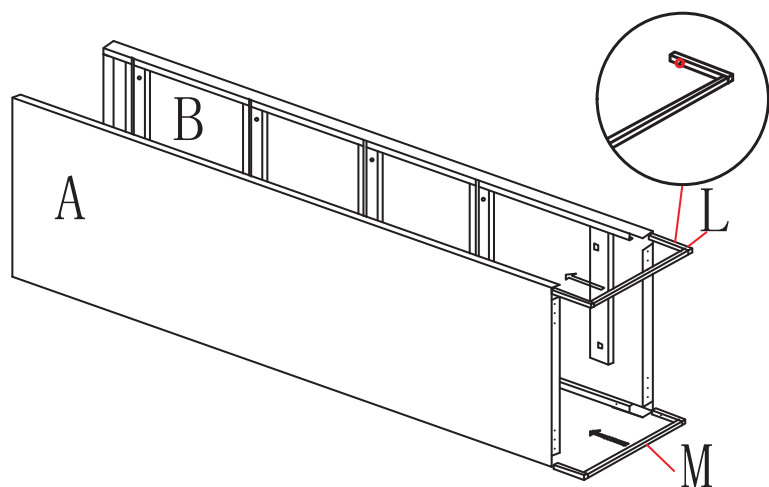
please contact our professional after-sales team



	N*60
	O*8
	U*4
	T*4
	Y*40
	R*2
	S*5
	X*2
	P*1
	Q*1

A*1 B*1 C*4 D*1 E*1 F*4 G*1 H*1 I*2 J*1 K*1 L*1 M*1 V*1

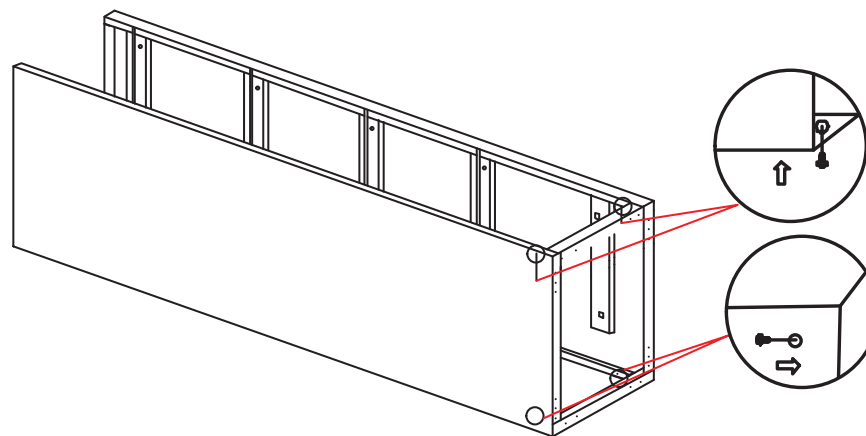
The perforated side faces down



The short side of L is longer than the short side of M.

1

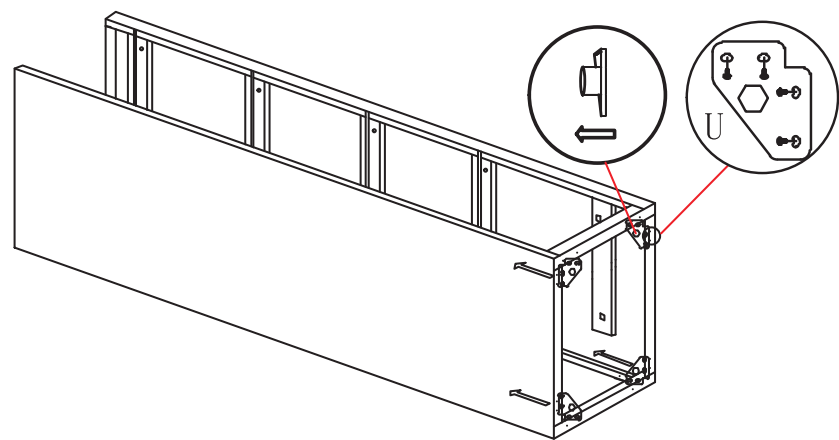
2



 N*4

3

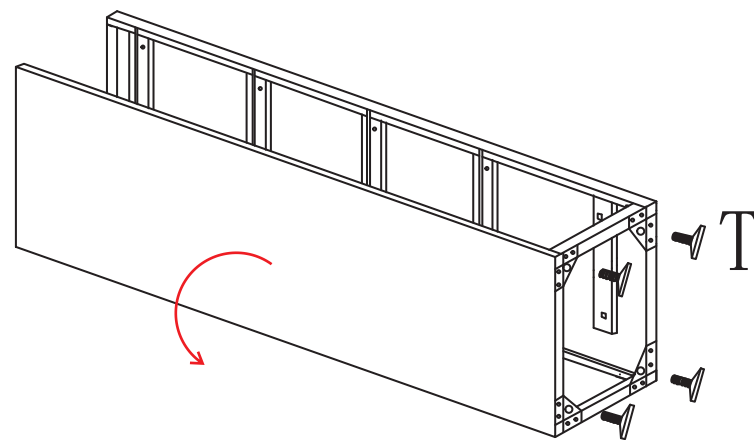
4



First put U away, then fix U with N.

 N*16

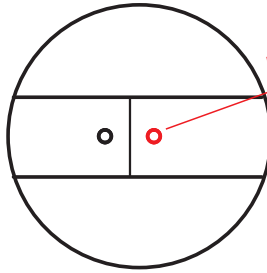
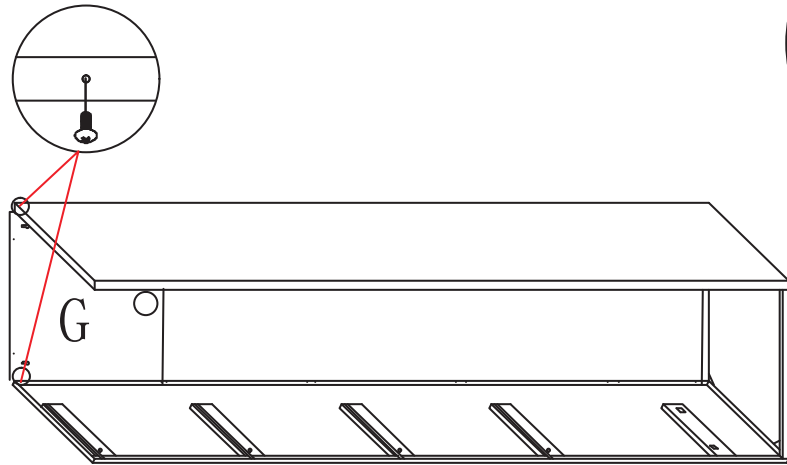
 U*4



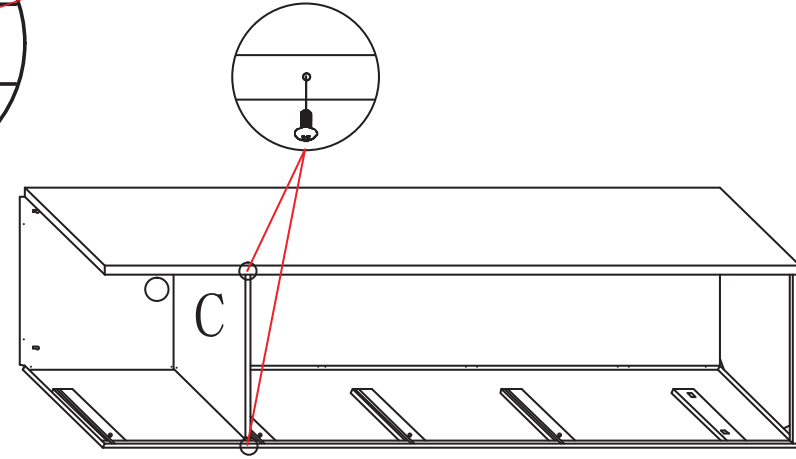
Before installation, Place rotate the cabinet 90°

 T*4

5



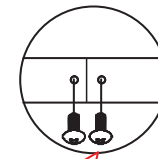
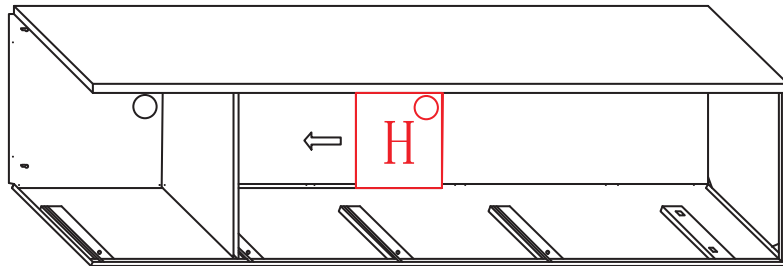
When installing C, put the screw hole on C corresponding to this hole position.



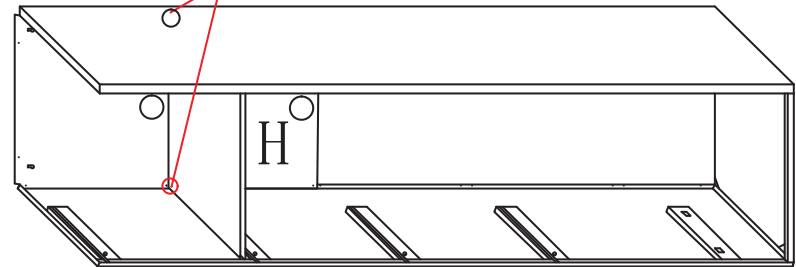
 N*2

 N*2

6

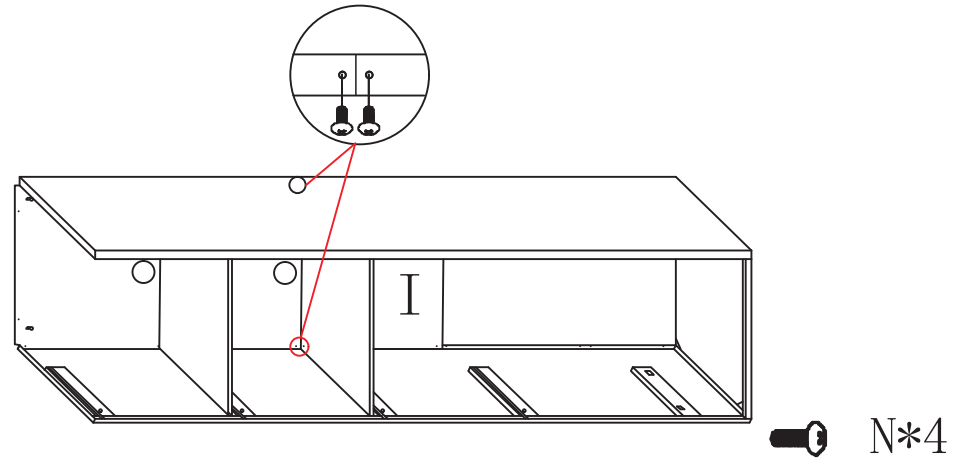
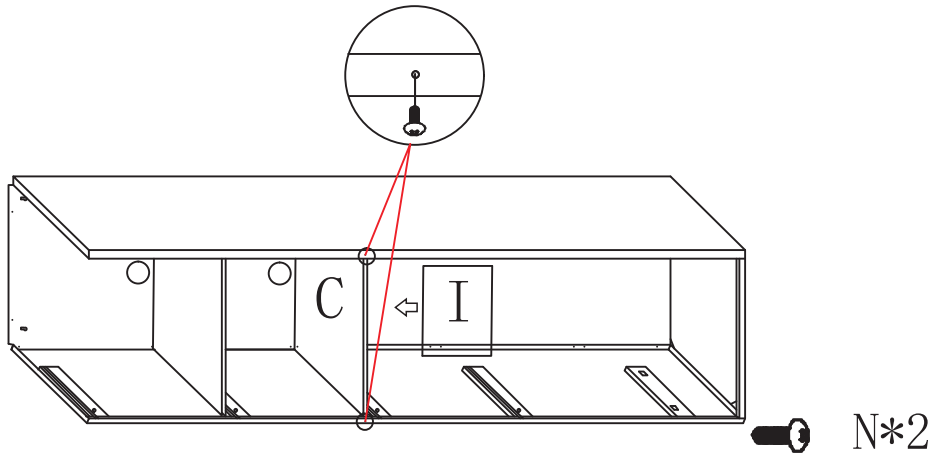


Automatically check H into C.

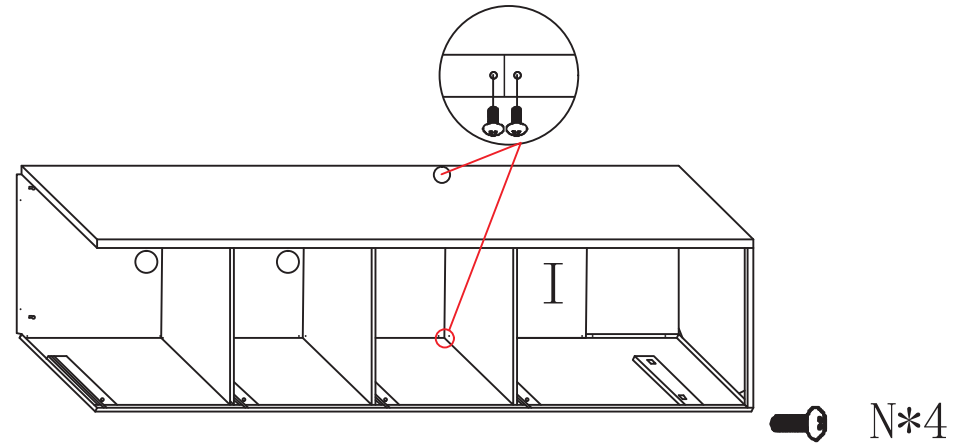
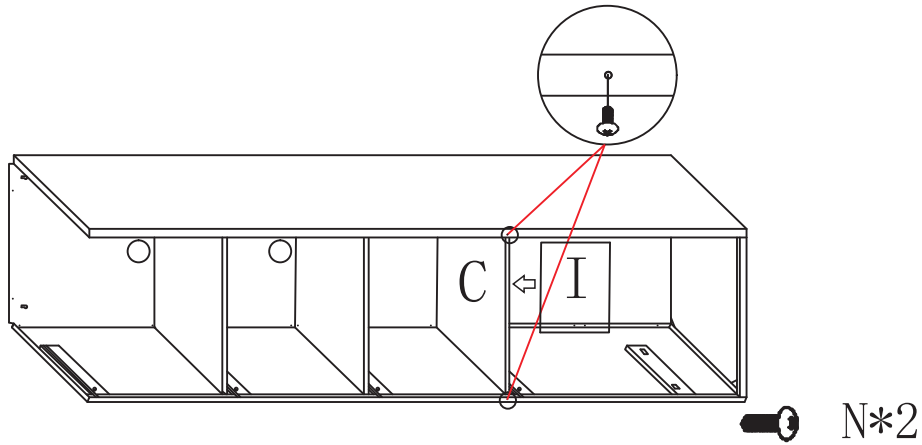


 N*4

7

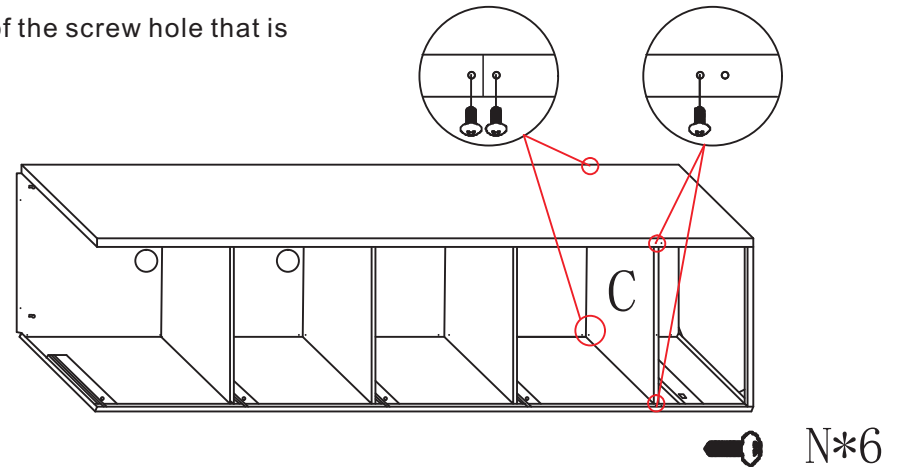
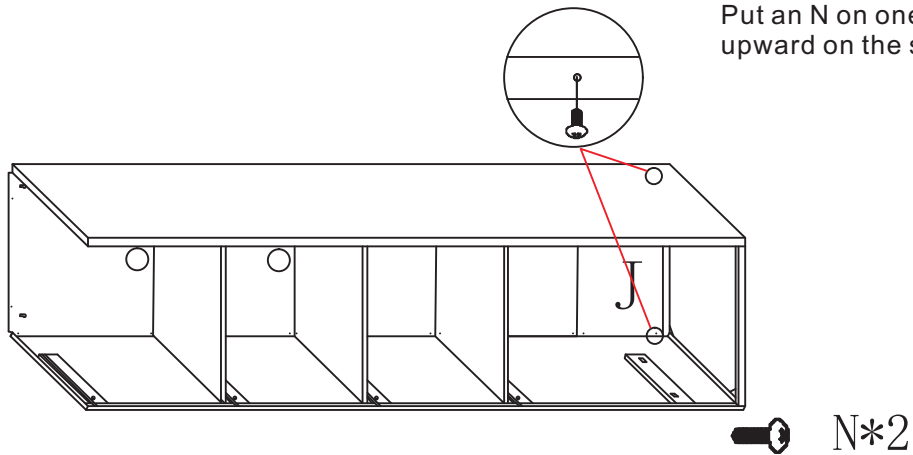


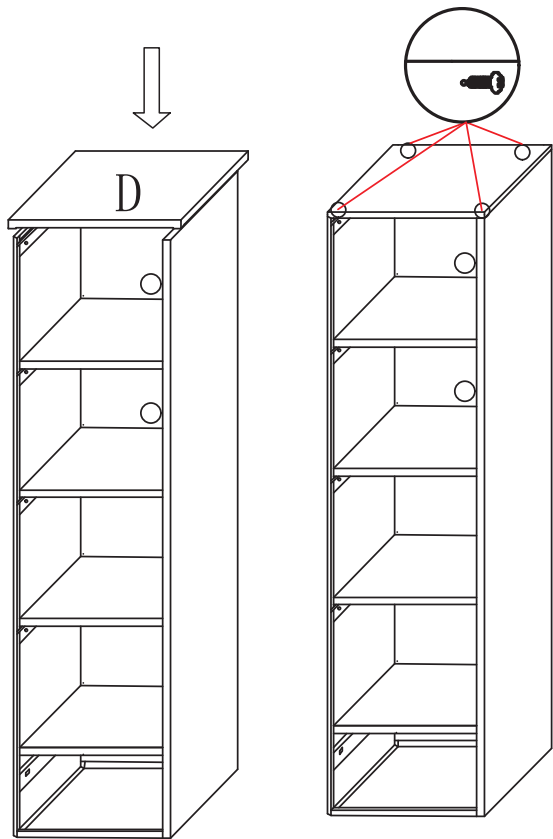
8



9

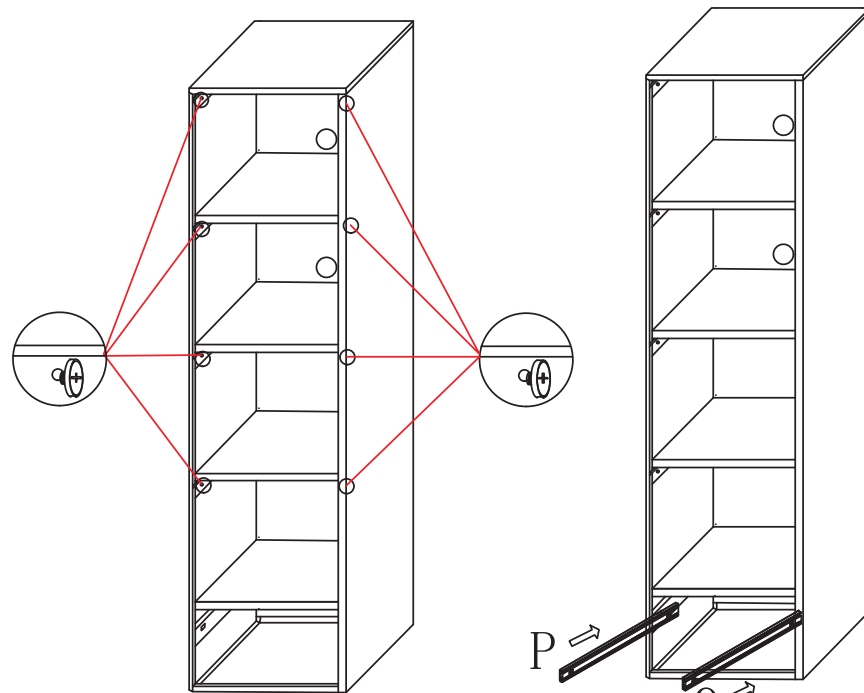
Put an N on one side of the screw hole that is upward on the side.





 N*4

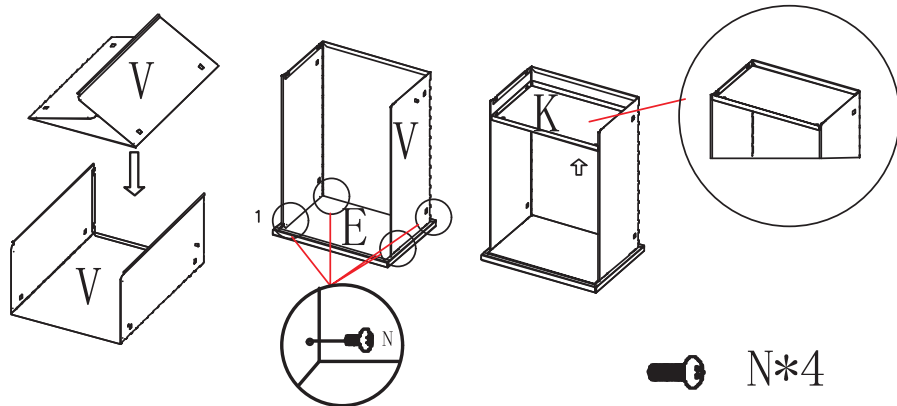
10



 O*8

11

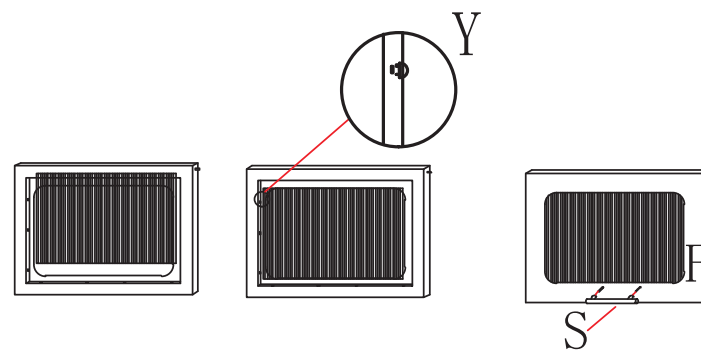
Fold V to 90 as shown in the figure, and then fix V on E with N according to the screw hole.



 N*4

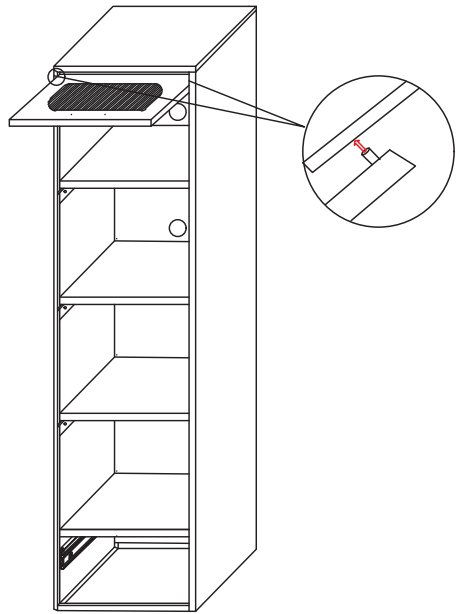
12

13

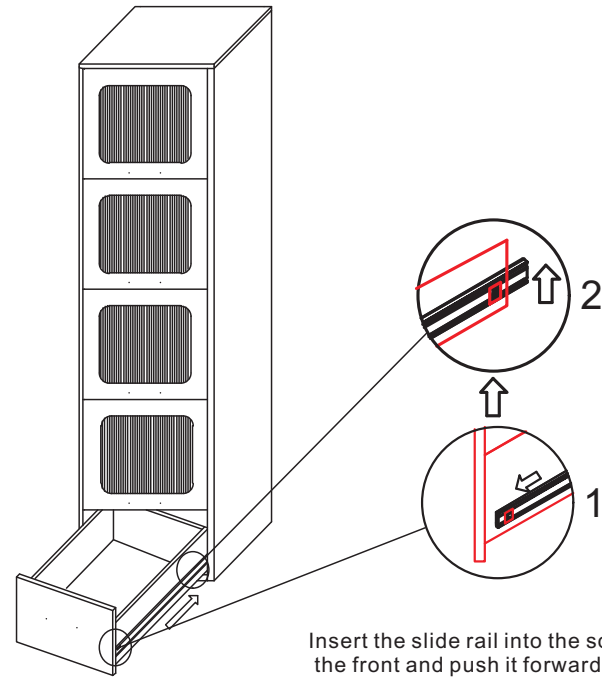


 Y*40

14

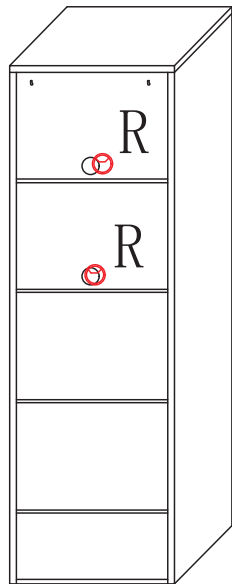


Press down the protrusions on both sides of F and put them into the chute as shown in the figure.

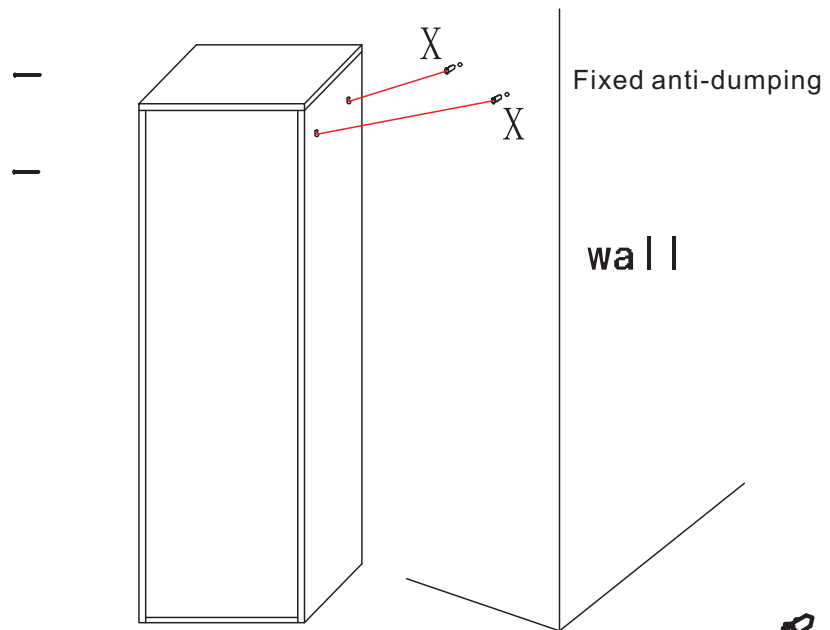


Insert the slide rail into the square hole in front of V from the front and push it forward, then insert it into the square hole in the back and lift it up.

15



○ R*2



— X*2