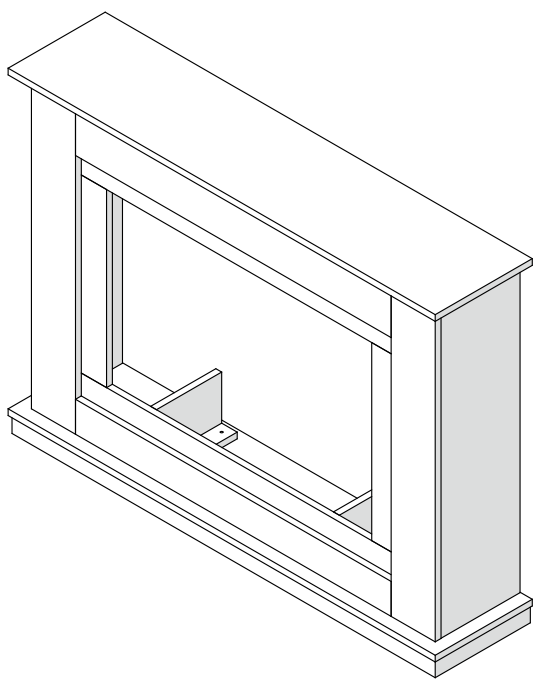
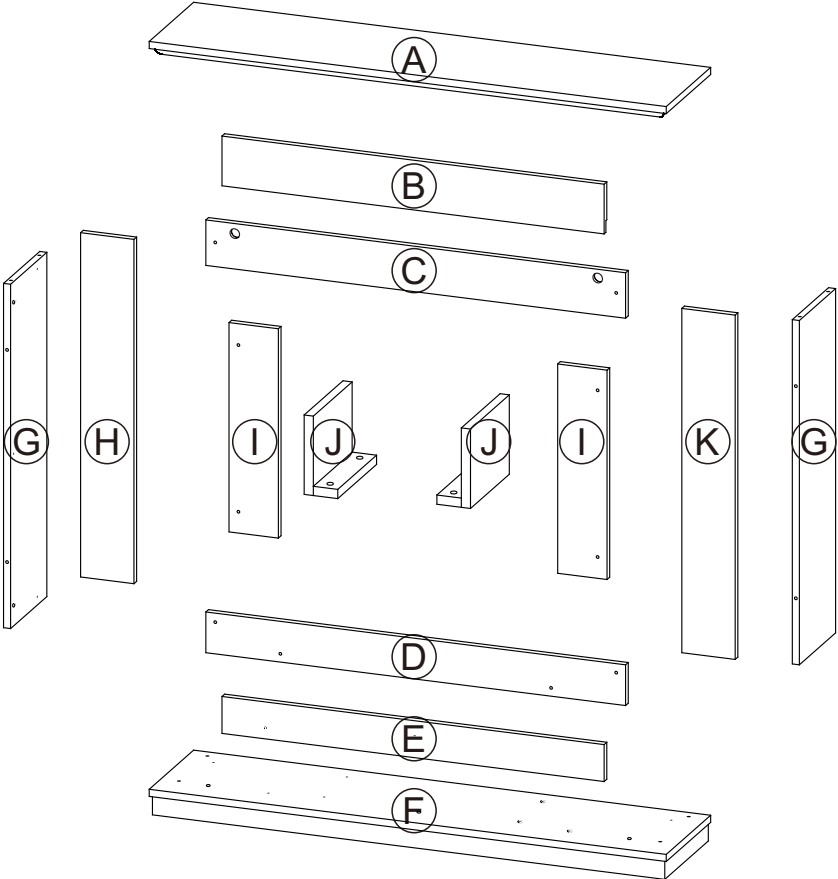


# FIREPLACE MANTEL

## ASSEMBLY INSTRUCTIONS



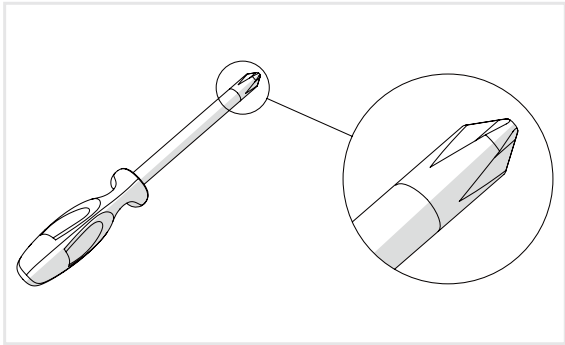
# PARTS LIST


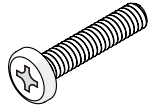
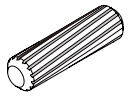

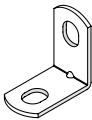
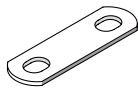



# PARTS AND ACCESSORIES

## Tools required:

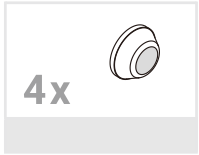
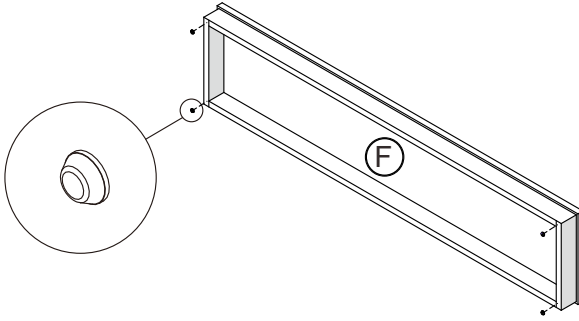
A screwdriver will be needed.



 <b>49 x</b> M6x12mm	 <b>15 x</b> M6x28mm	 <b>13 x</b> ø 8x30mm
 <b>15 x</b>	 <b>21 x</b>	 <b>5 x</b>
 <b>6 x</b>		

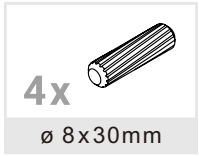
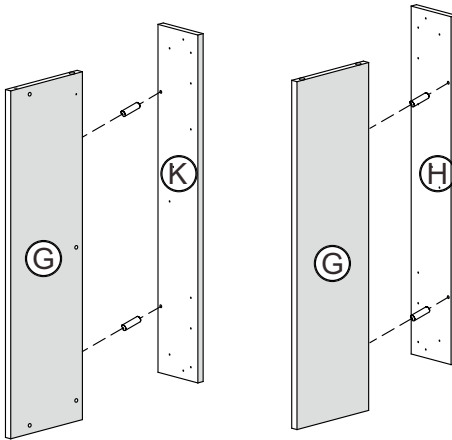
# ASSEMBLY INSTRUCTIONS

## 01



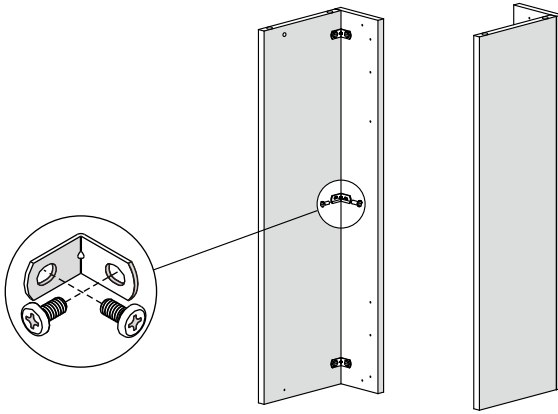
Carry out this assembly step on both sides

## 02



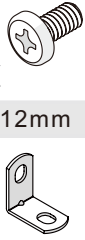
Carry out this assembly step on both sides

# 03



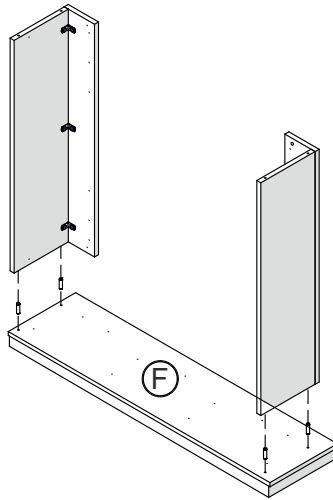
**12x**  
M6x12mm

**6x**



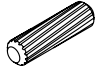
Carry out this assembly step on both sides

# 04



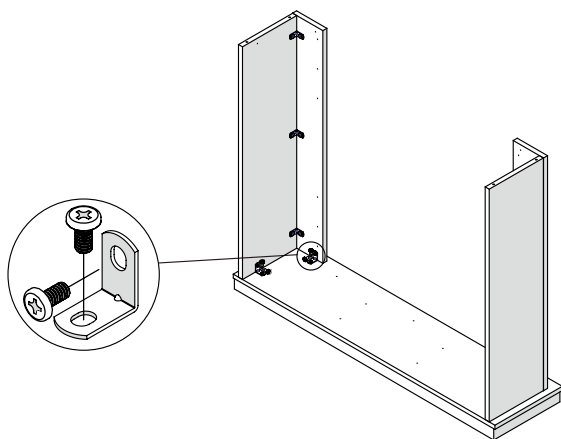
**4x**

ø 8x30mm



Carry out this assembly step on both sides

# 05



8x



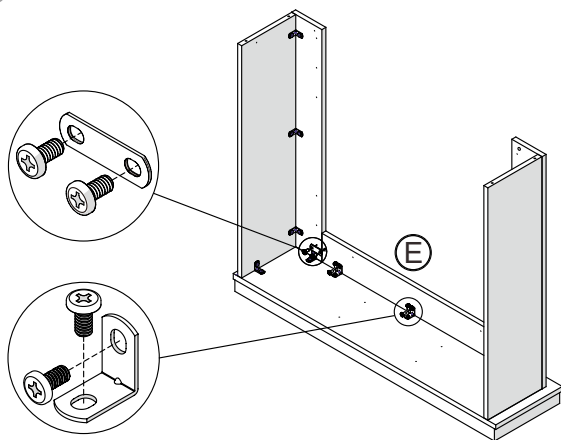
M6x12mm

4x



Carry out this assembly step on both sides

# 06

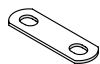


10x



M6x12mm

2x

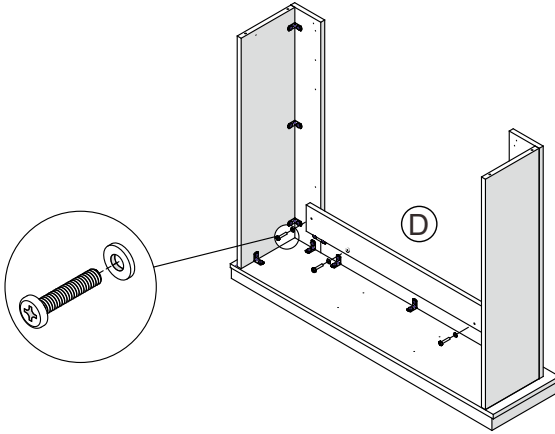


3x

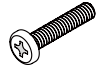


Carry out this assembly step on both sides

# 07



4x



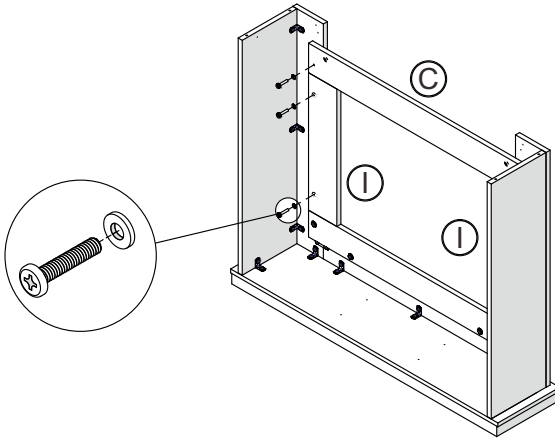
M6x28mm

4x

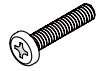


Carry out this assembly step on both sides

# 08



6x

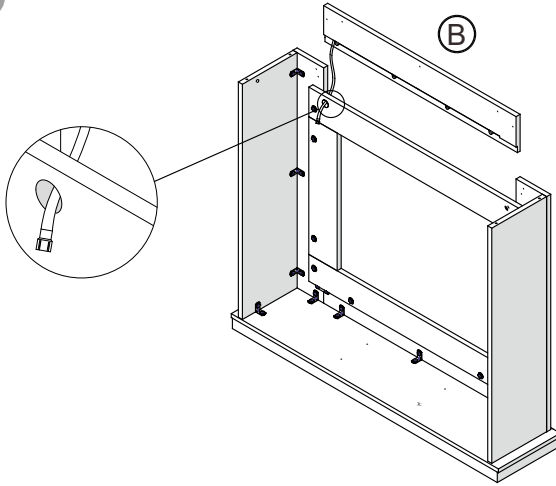


M6x28mm

6x

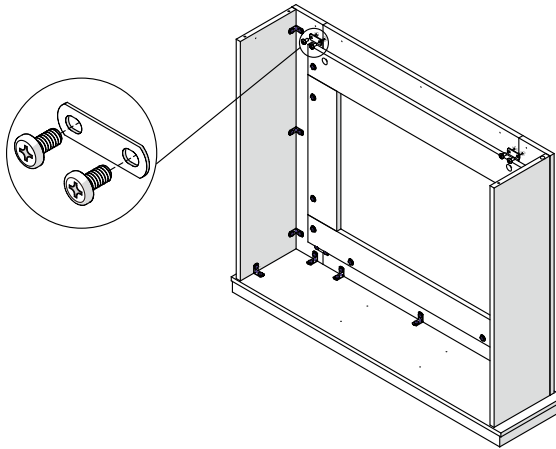


# 09



Carry out this assembly step on both sides

# 10

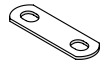


4x



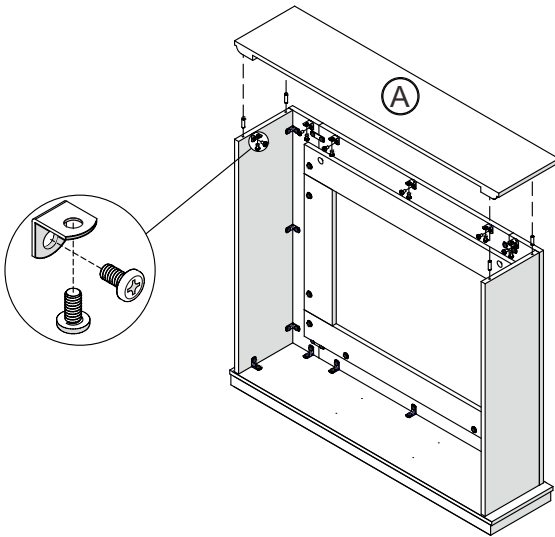
M6x12mm

2x



Carry out this assembly step on both sides

# 11



14x

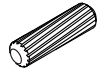


M6x12mm

7x



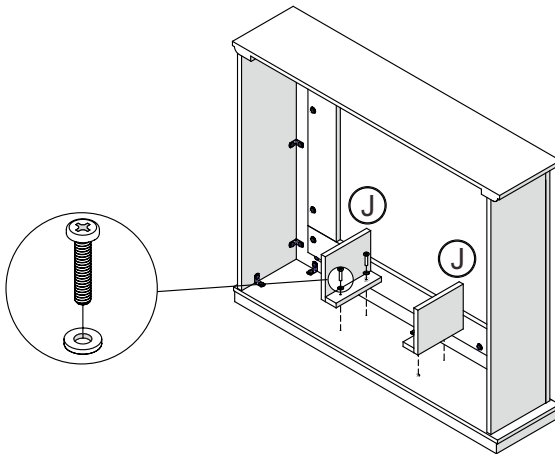
4x



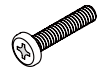
ø 8x30mm

Carry out this assembly step on both sides

# 12



4x



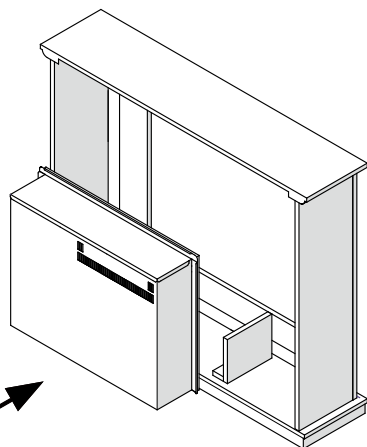
M6x28mm

4x



---

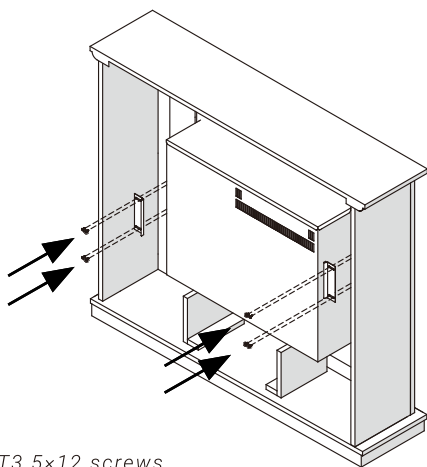
# 13



*Rear side of the mantel*

---

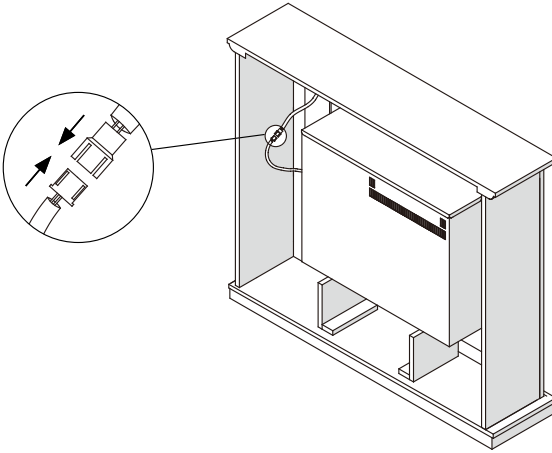
# 14



*Use 8 pcs ST3.5x12 screws*

---

# 15



*Connect the Mood Light*