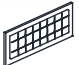







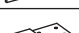




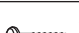


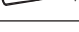

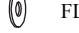



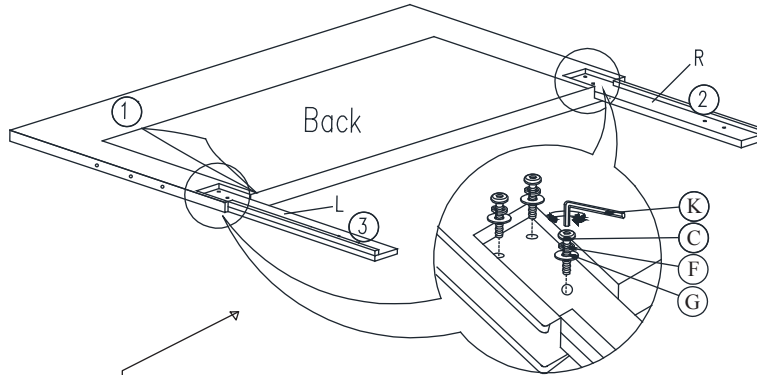


ASSEMBLY INSTRUCTION

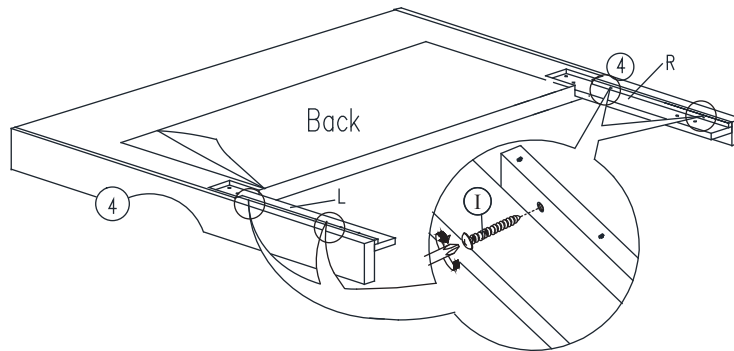
NO	PART LIST	QTY
1	 HEADBOARD CUSHION	1PC
2	 RIGHT HEADBOARD LEG WITH 'R' LABEL	1PC
3	 LEFT HEADBOARD LEG WITH 'L' LABEL	1PC
4	 WINGS (L/R)	2PCS
5	 FOOTBOARD CUSHION	1PC
6	 FOOTBOARD LEGS	2PCS
7	 SIDE RAIL (L)	2PCS
8	 SIDE RAIL (R)	2PCS
9	 SIDE RAIL SUPPORT LEG	2PCS
10	 SLATS	4PCS
11	 SUPPORT LEGS WITH ADJUSTABLE FEET	4PCS
NO	HARDWARE LIST	QTY
A	 JCBB SCREW M8 X 20	8PCS
B	 JCBC SCREW M6 X 25	8PCS
C	 JCBC SCREW M6 X 35	16PCS
D	 JCBC SCREW M6 X 70	2PCS
E	 WOOD DOWEL	2PCS
F	 SPRING WASHER	20PCS
G	 FLAT WASHER	20PCS
H	 SCREW M4 X 32mm	8PCS
I	 SCREW M4 X 38mm	4PCS
J	 L - KEY M5 X 65mm	1PC
K	 L - KEY M4 X 65mm	1PC

STEP 1

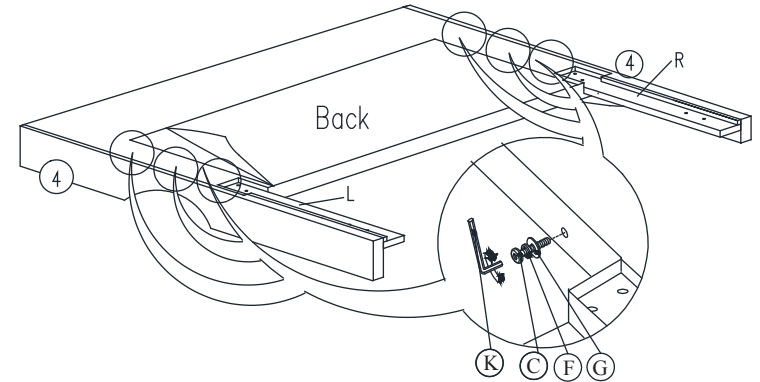


Make sure the cleat is on outside edge

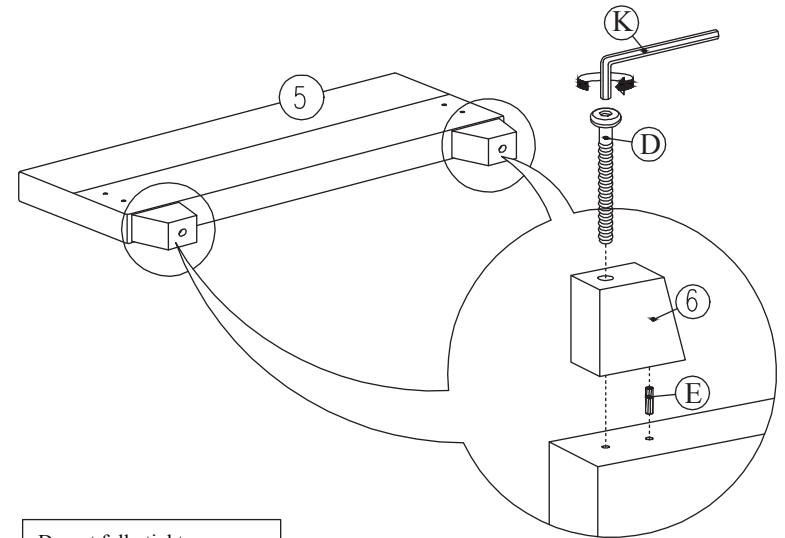
STEP 3



STEP 2



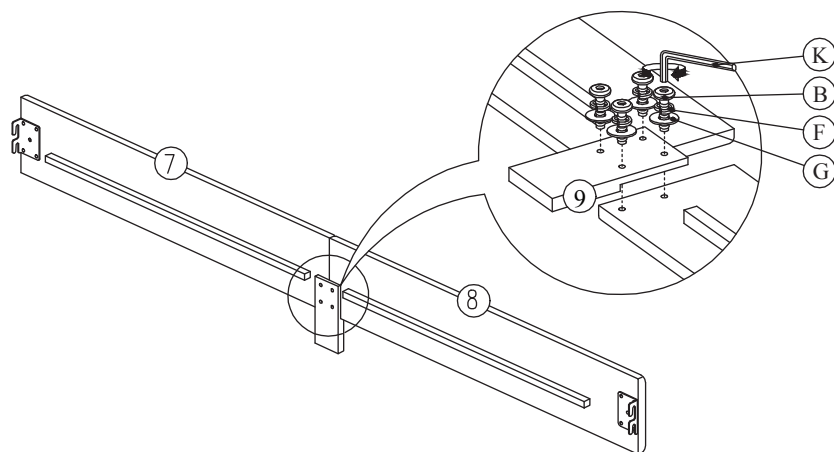
STEP 4



Do not fully tighten screws until assembly is complete and the bed is level

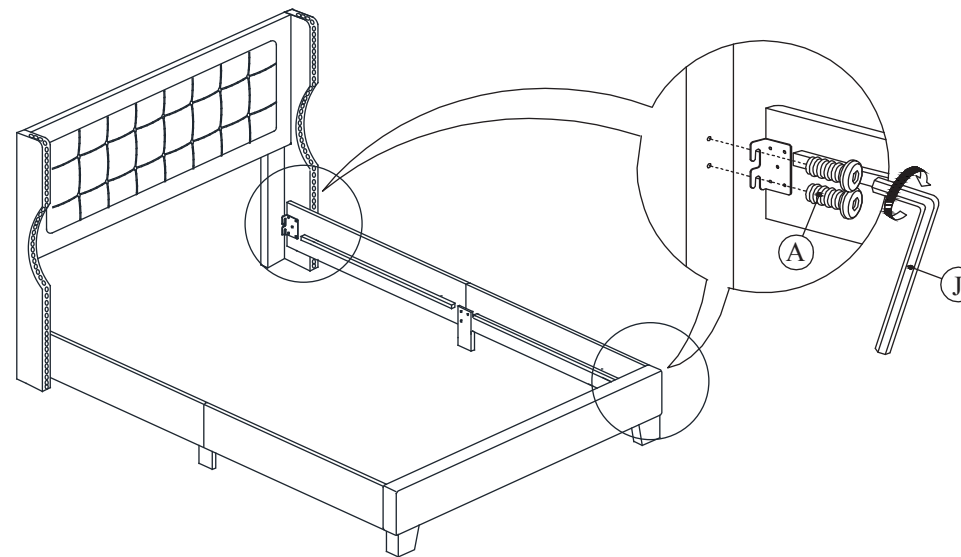
ASSEMBLY INSTRUCTION

STEP 5

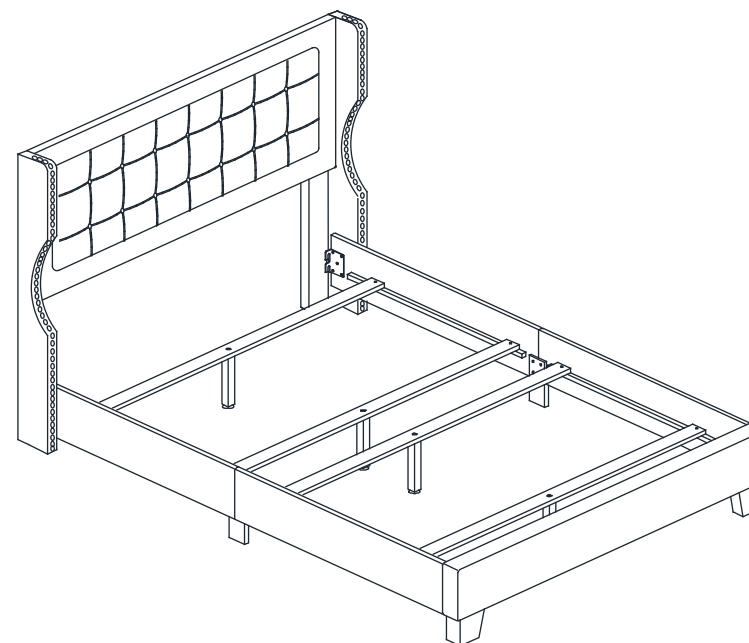
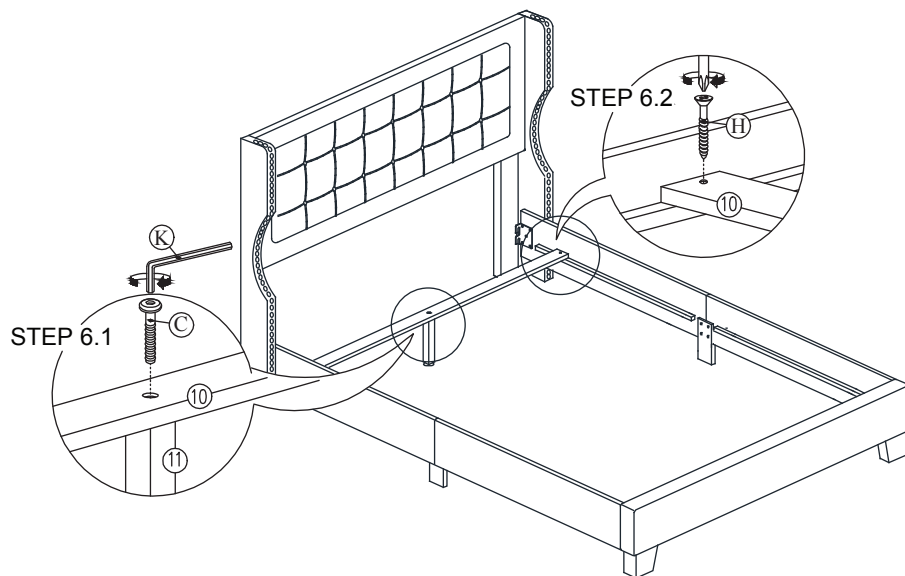


Do not fully tighten screws until assembly is complete and the bed is level

STEP 6



STEP 7



ASSEMBLY COMPLETED