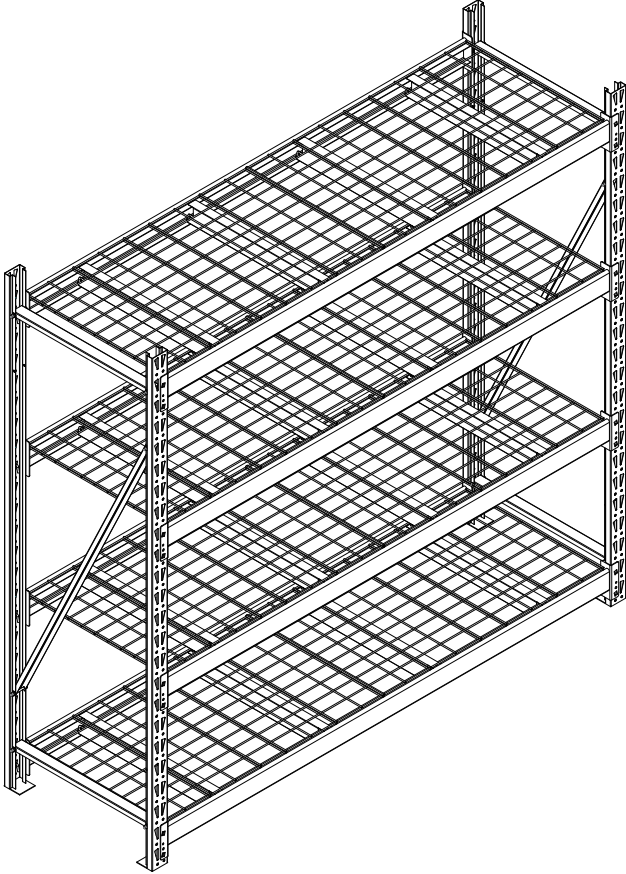


# ASSEMBLY INSTRUCTION

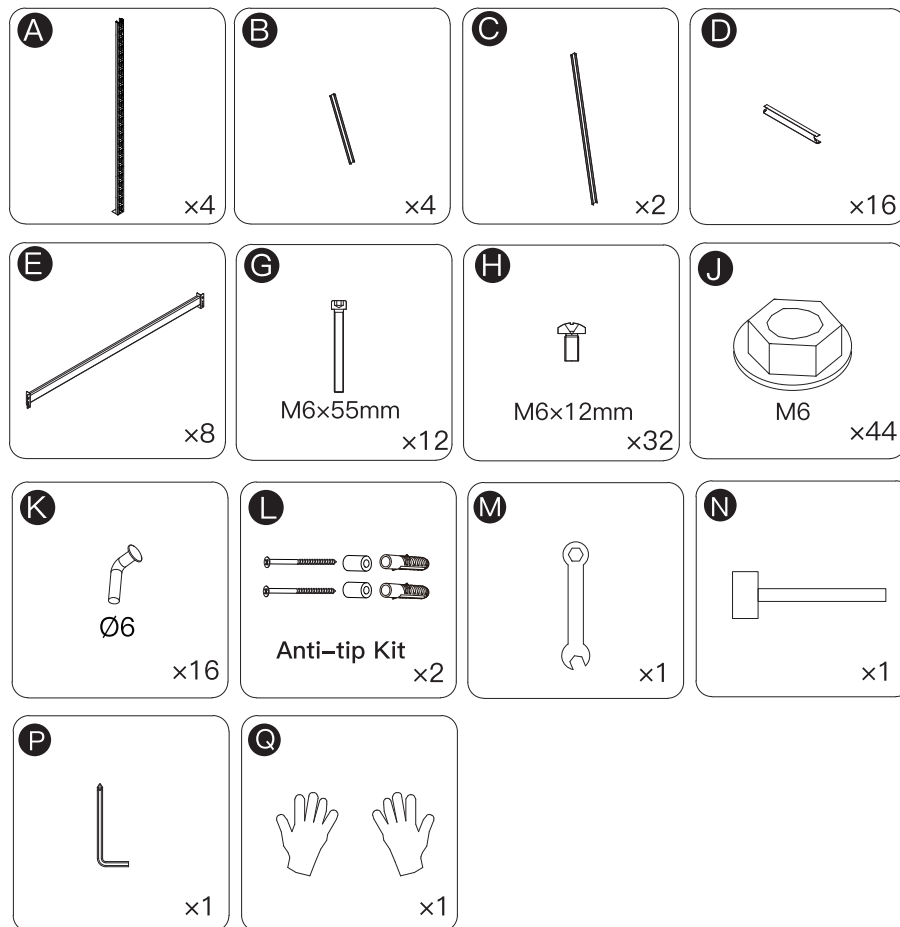


Please check all parts and accessories according to the parts list before assembling, make sure all contents are sufficient and in good condition.

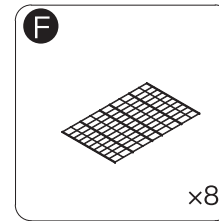
If there is any parts missing or defective, please contact us immediately with purchase platform message to get replacement parts.

## PARTS:

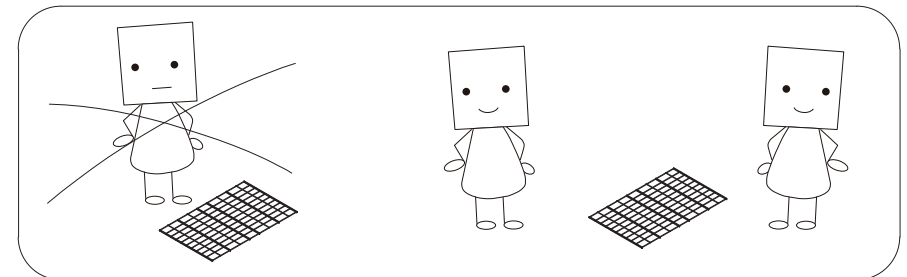
### Package A:



### Package B:



Need Two Or More People To Complete

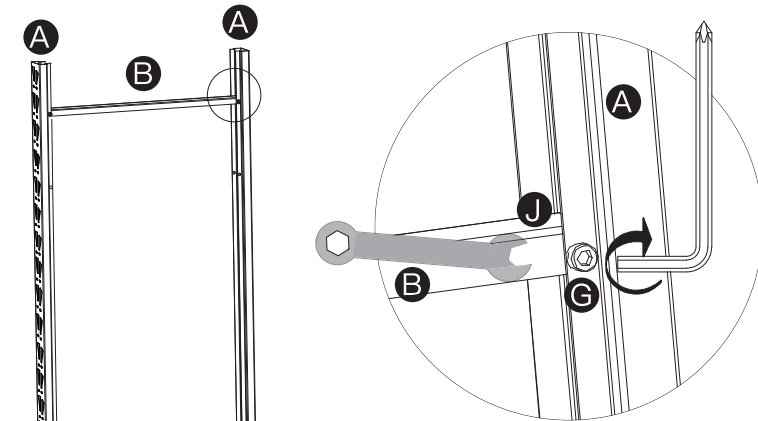
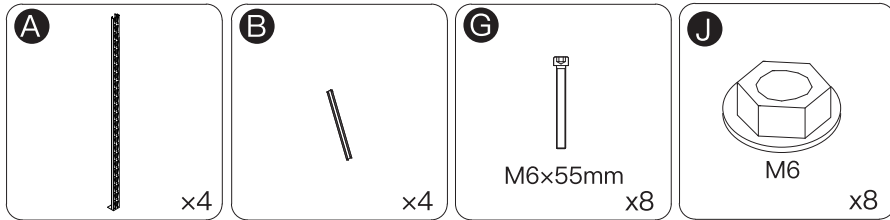


#### Attention:

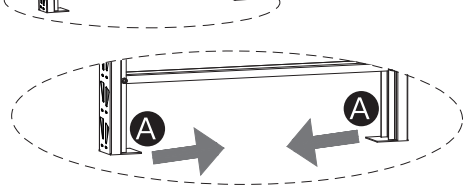
1. Please wear gloves before installation.
2. The heights of steel shelf boards is highly adjustable which you can customize according to your needs during installation.
3. For the safety of you and your family, it is necessary to install Anti-Tip Kit.

# HOW TO INSTALL

## STEP 1

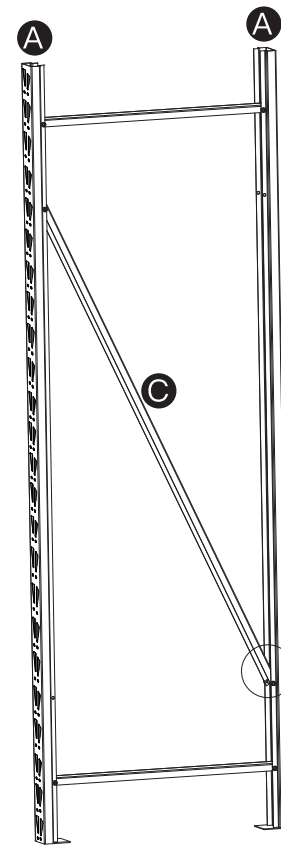
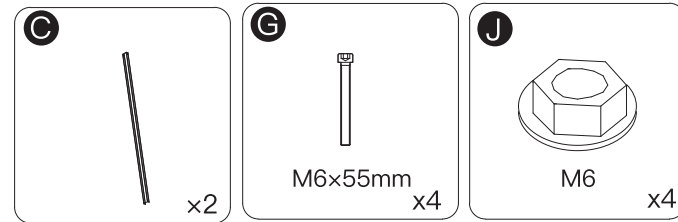


**NOTICE:**  
Please ensure that the opening direction of part **A** is facing inwards.

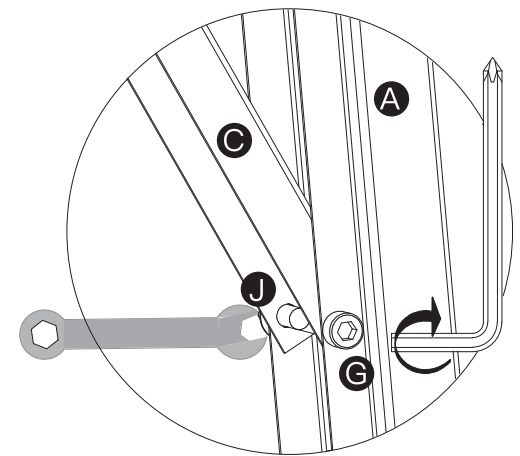


x2

## STEP 2

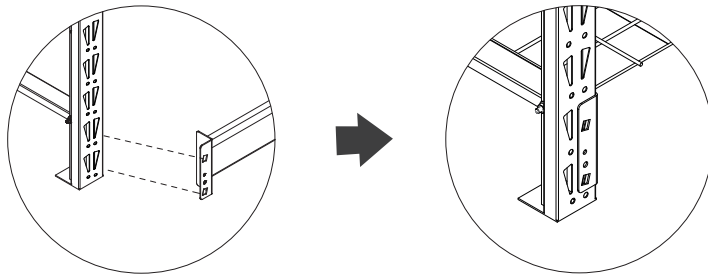
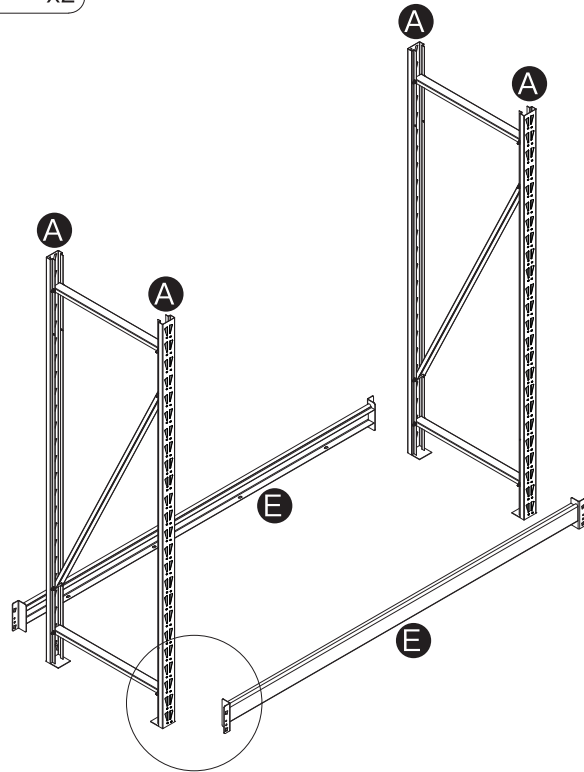
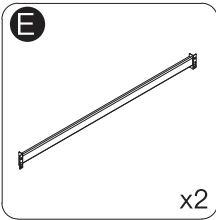


**NOTICE:**  
Please ensure that the opening direction of part **C** is consistent.

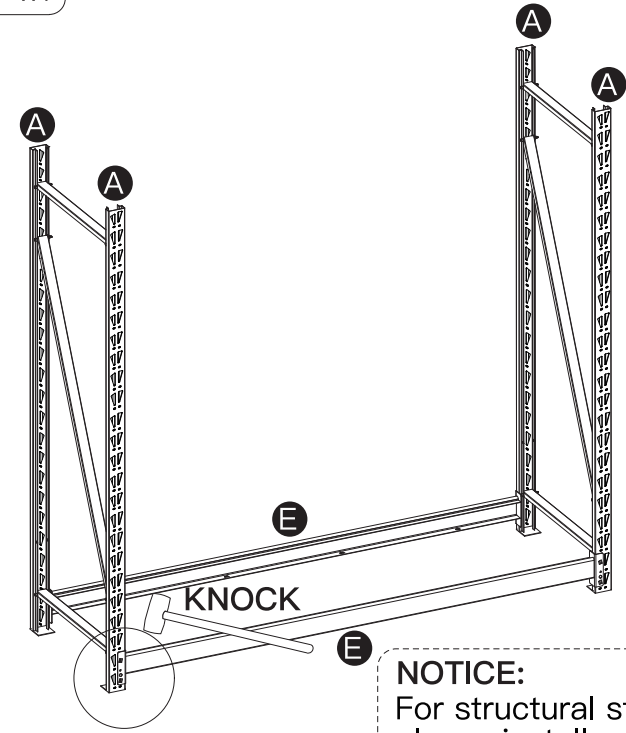
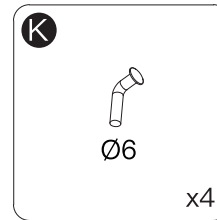


x2

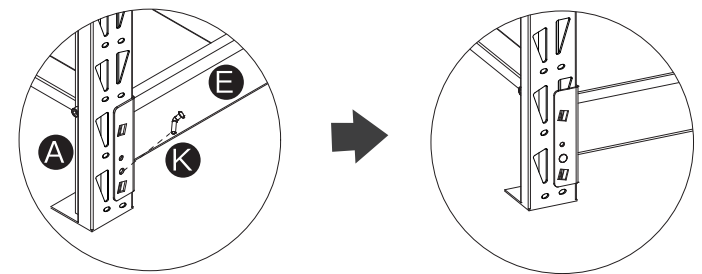
### STEP 3



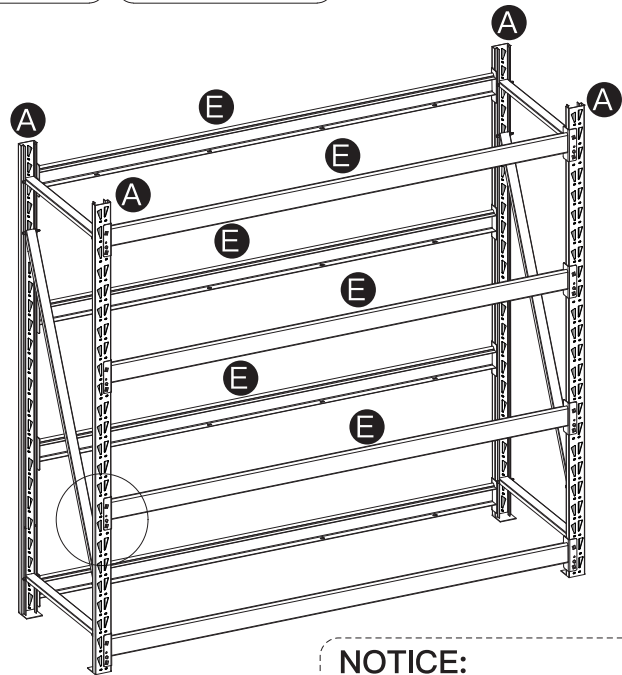
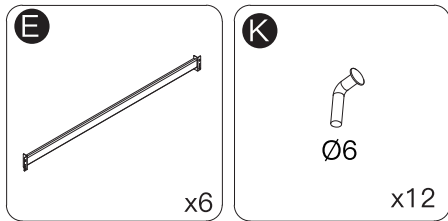
### STEP 4



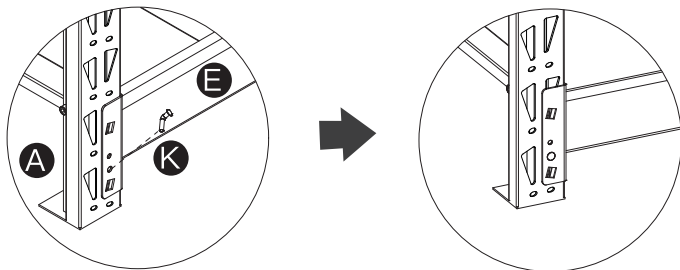
**NOTICE:**  
For structural stability  
please install part **K**.



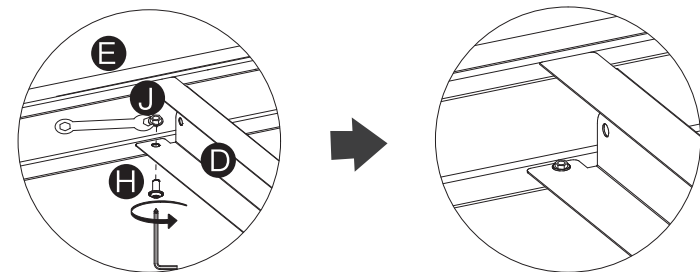
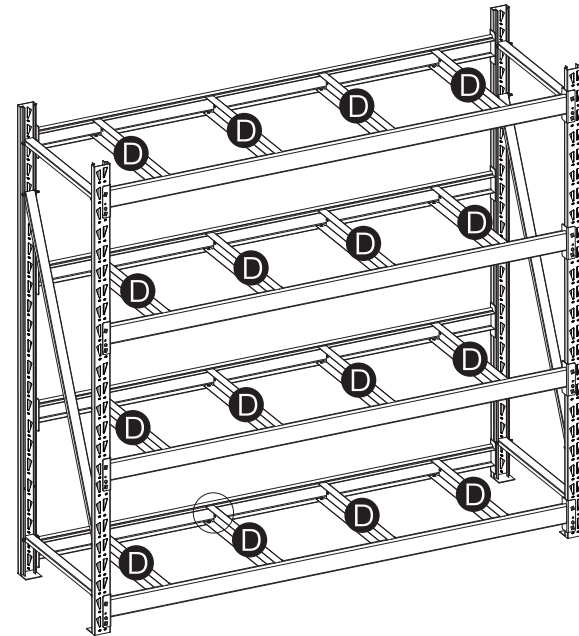
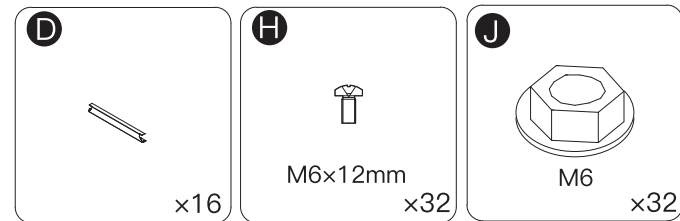
## STEP 5



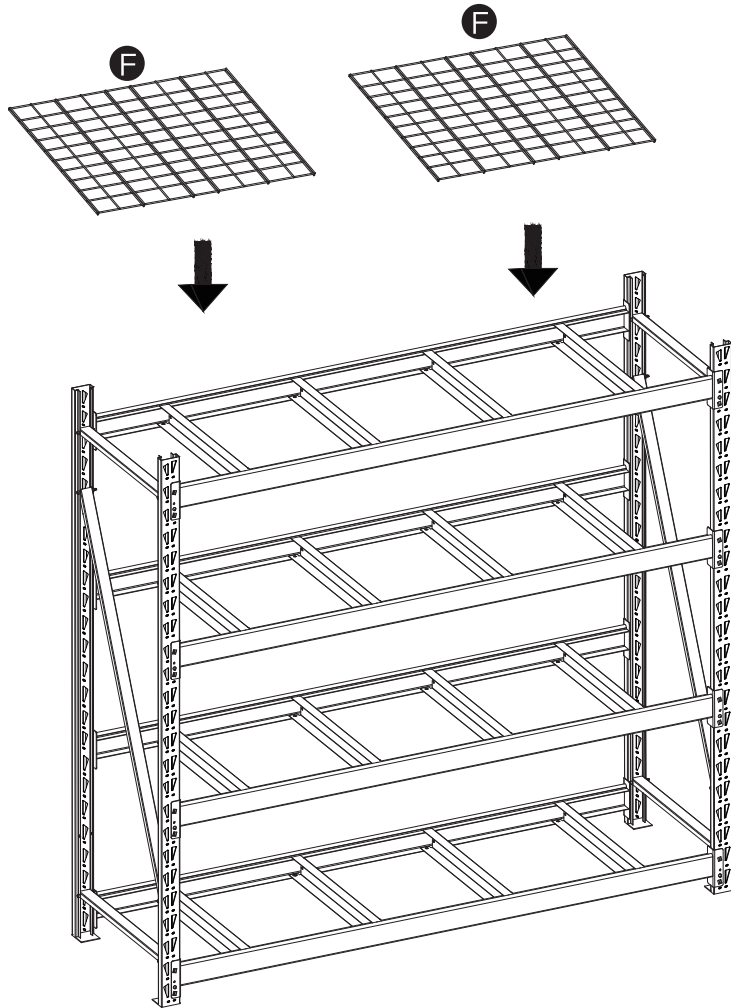
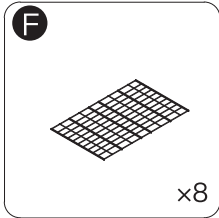
**NOTICE:**  
For structural stability  
please install part **K**.



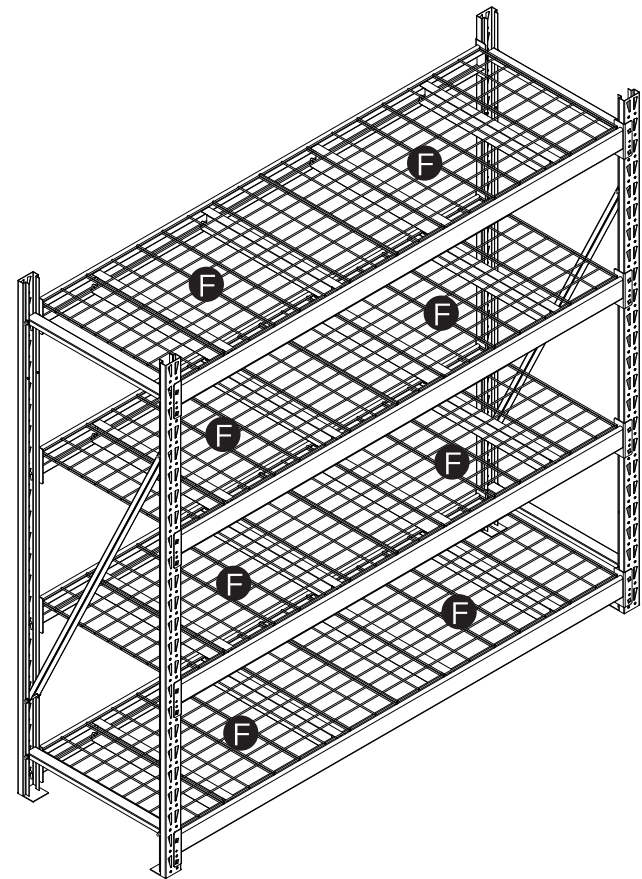
## STEP 6



# STEP 7

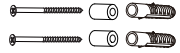


# STEP 8



## STEP 9

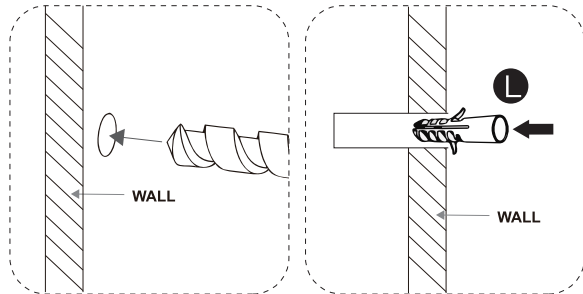
L



Anti-tip Kit  
x2

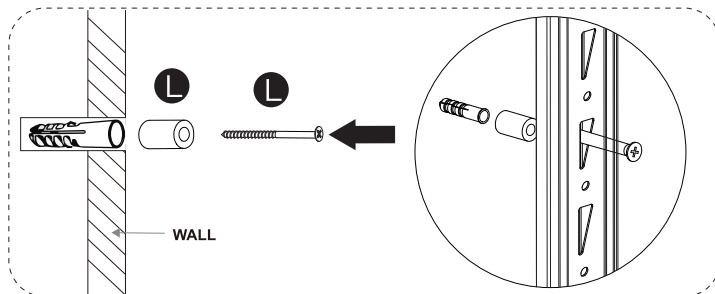
### ! NOTICE

For maximum safety, the strips of anti-tip kit should cross the upper vertical bars.



(1) Drill holes at marked location.

(2) Press the protective bolts in the wall.



(3) Fix the safety lock on the wall with bolts.

## After-sales Service

Dear Customer,

Thank you for choosing our product! As you embark on the exciting journey of assembling your new piece, we want you to know that we're here to support you every step of the way.

We take your experience seriously and want to ensure that your assembly process is smooth and hassle-free. If you have any questions, run into any difficulties, or simply want some guidance, please contact us through the purchase platform, our dedicated customer service team is here to help.

Your comfort and contentment are of utmost importance. Your feedback and questions drive us to improve and excel.

Warm regards,  
Customer Service Team