

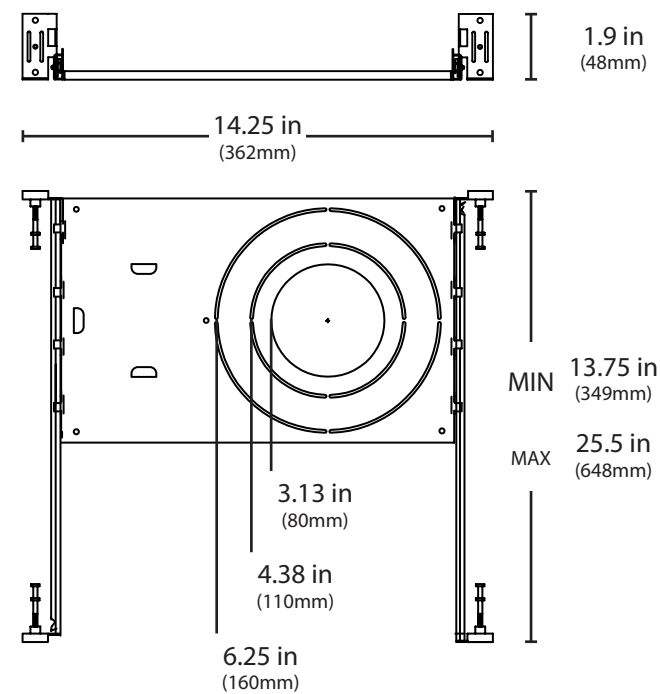


MULTIFRAME

Multi-Diameter Mounting Frame

The Multiframe can be used with many of NICOR's 3", 4" and 6" LED downlights with remote drivers. Providing a mounting location as well as a wiring location indicator, the Multiframe can simplify the installation of downlights that don't require a housing.

Dimensions



FEATURES

Pre-Set Captive Nails

Allow for easy installation

Durable Single-Piece Frame

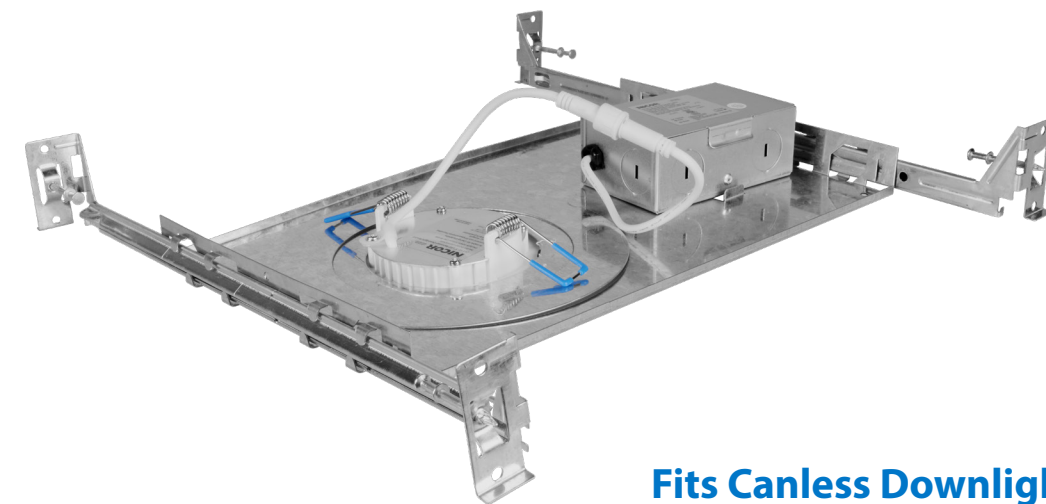
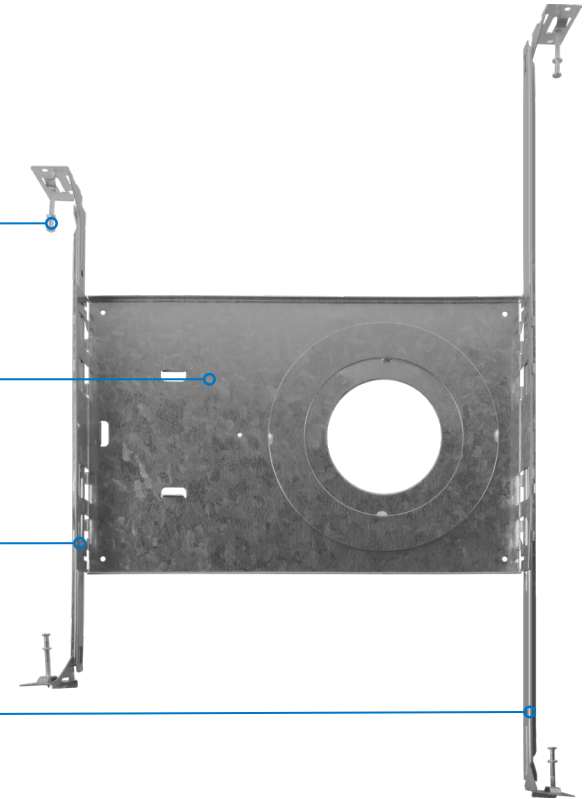
Constructed with 22-gauge steel

New Construction Frame

With unique hangar bar lip design

Fully Extendable

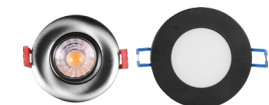
Hangar bars adjust from 13.75" to 25.5"



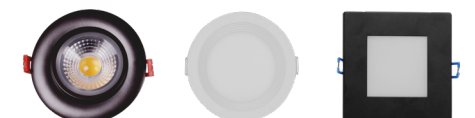
Fits Canless Downlights

3-inch, 4-inch and 6-inch recessed downlights

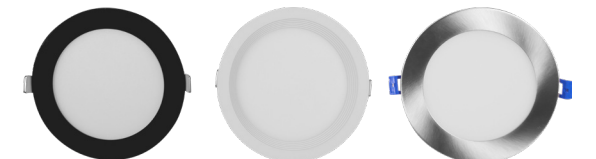
3-inch downlights



4-inch downlights



6-inch downlights



Ordering Information

Example: MULTIFRAME-346-1

Series	Size	Version
MULTIFRAME	346	1

Compatible Fixtures

(3") RELS, DGD
(4") REL, RELS, RELS-R, DGD, DGC, DGF
(6") REL, RELS, RELS-R, REL6-UNV, CLR6

