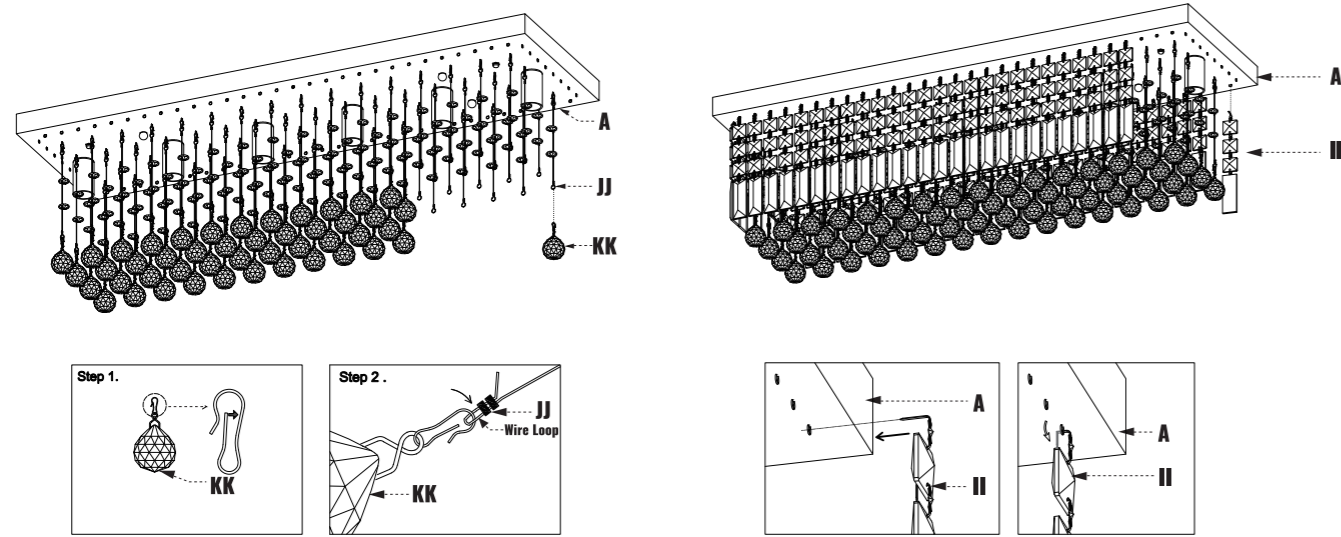


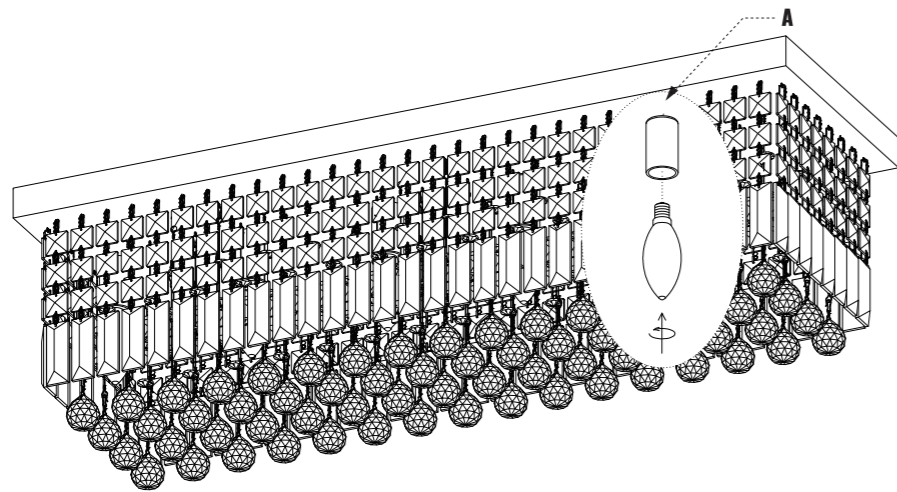
## INSTALL BULBS AND CRYSTAL

### 4. INSTALL CRYSTAL



- Step 1:** Open the Oval Clip of the Crystal Ball (KK), and lock it on the Wire Loop below Crystal Strand B (JJ).  
**Step 2:** Thread the Staple Clip of the Crystal Strand A (II) through the Lamp Body (A) and bend to secure.

### 5. INSTALL BULBS



Install the E12 bulbs (not included).

**NOTE:**

This lamp uses E12 bulb base and can only be used in conjunction with LED bulbs up to 40W.  
Fully dimmable when used with dimmable bulbs and compatible dimming switches (not included).

# INSTALLATION MANUAL

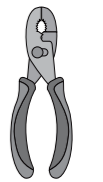
## CHANDELIER

Model No.: HLC03708G

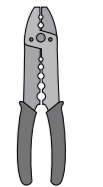
### TOOLS REQUIRED



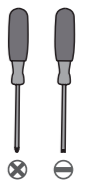
Ladder



Pliers

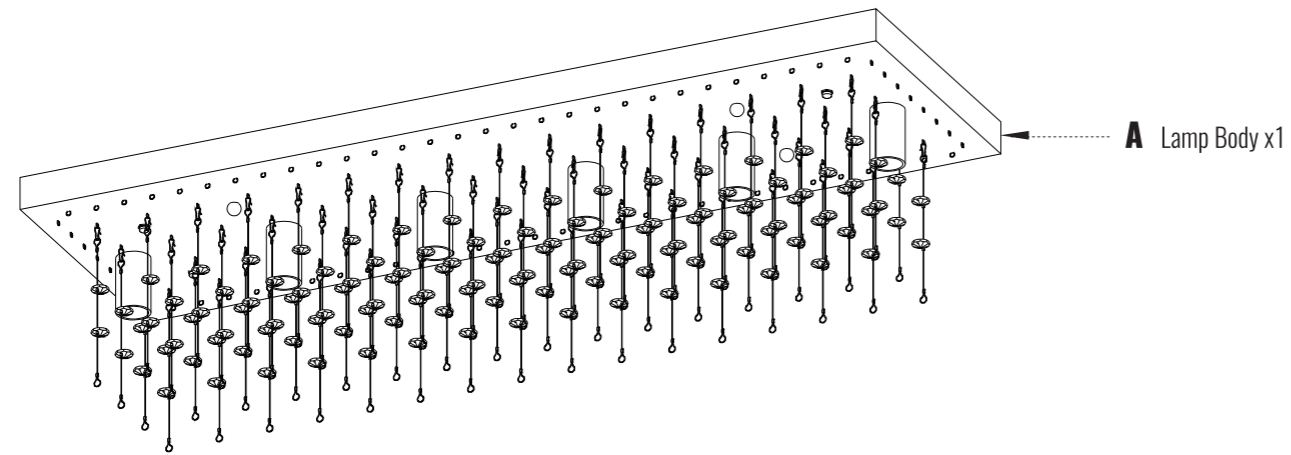


Wire  
Strippers


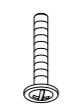






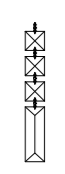





Screwdrivers

## PACKING LIST



## INSTALLATION KIT

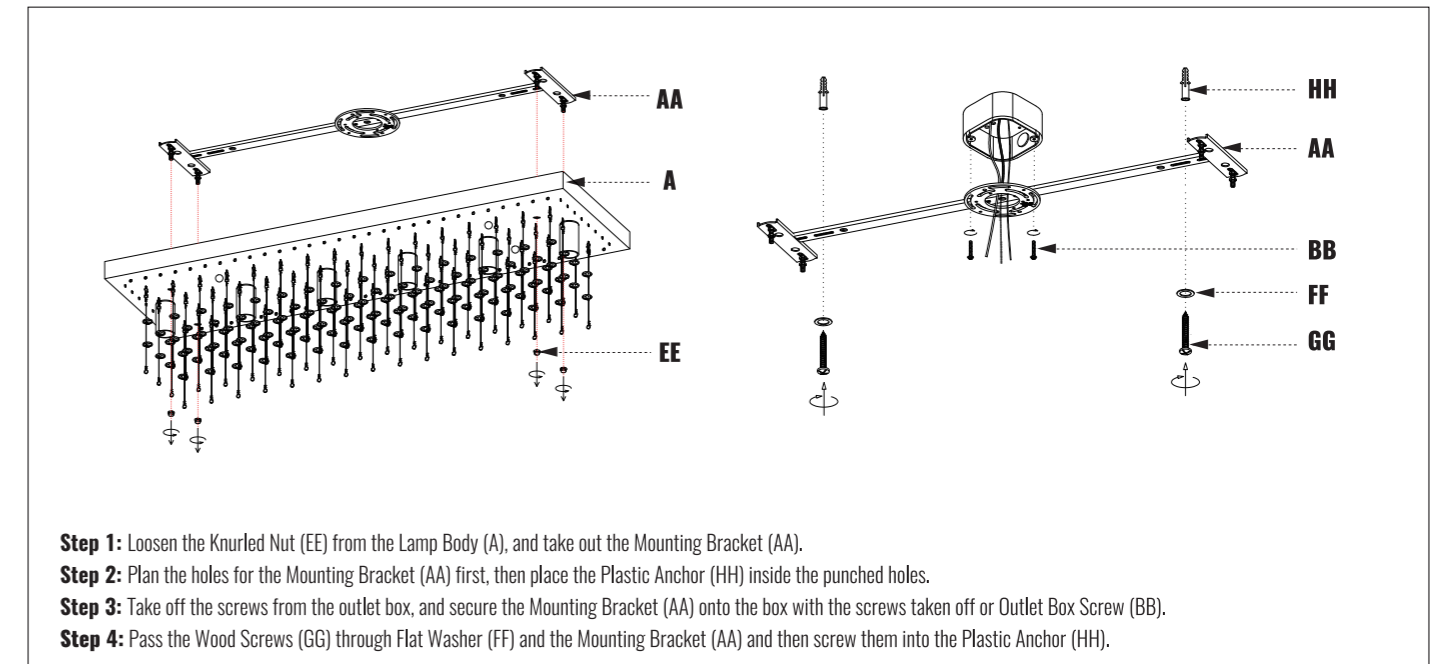
<b>AA</b>	1×	<b>BB</b>	2×	<b>CC</b>	1×	<b>DD</b>	3×
							
Mounting Bracket		Outlet Box Screw		Ground Screw		Wire Nut	
<b>EE</b>	2×	<b>FF</b>	2×	<b>GG</b>	2×	<b>HH</b>	2×
							
Knurled Nut		Flat Washer		Wood Screw		Plastic Anchor	
<b>II</b>	81×	<b>JJ</b>	68×	<b>KK</b>	66×	<b>LL</b>	1×
							
Crystal Strand A		Crystal Strand B		Crystal Ball		Gloves	

### NOTE:

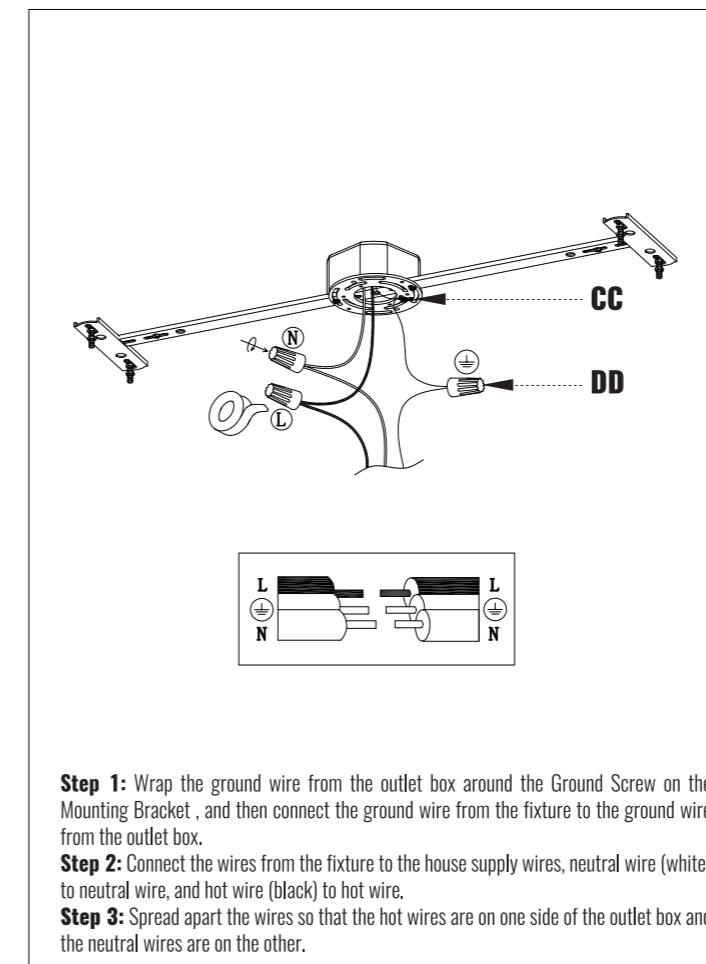
1. AA/CC/EE have already been pre-installed with Canopy, and JJ has been pre-installed with Lamp Body (A).
2. II/JJ/KK have 7/4/2 spare parts for backup.

## MOUNTING AND WIRE

### 1. Install the Mounting Bracket



### 2. Connect the Wires



### 3. Fix the Canopy

