

ASSEMBLY INSTRUCTIONS



***Dining
Chair***

ASSEMBLY INSTRUCTIONS

ASSEMBLY TIPS:

1. Remove hardware from box and sort by size.
2. Please check to see that all hardware and parts are present prior to start of assembly.
3. Please follow attached instructions in the same sequence as numbered to assure fast & easy assembly.



WARNING!

1. Don't attempt to repair or modify parts that are broken or defective. Please contact the store immediately.
2. This product is for home use only and not intended for commercial establishments.



ASSEMBLY TIME

10 MINUTES

PARTS IDENTIFICATION

B1 (BOX 1)

A SEAT AND BACK



1PC

B BASE



1PC

NOTE:

Quantities shown are for on chair

Phillips head screw driver is required in the assembly process; however, manufacturer does not provide this item.

ASSEMBLY INSTRUCTIONS

ASSEMBLY TIPS:

1. Remove hardware from box and sort by size.
2. Please check to see that all hardware and parts are present prior to start of assembly.
3. Please follow attached instructions in the same sequence as numbered to assure fast & easy assembly.


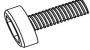



WARNING!

1. Don't attempt to repair or modify parts that are broken or defective. Please contact the store immediately.
2. This product is for home use only and not intended for commercial establishments.

HARDWARE IDENTIFICATION

Z- HARDWARE PACK IS LOCATED IN 109452

1	ALLEN WRENCH 8mm		1PC
2	SHORT BOLT (M8*30mm)		4PCS
3	Flat washer (Dia10mm)		4PCS

Hardware pack is located in 109452

NOTE:

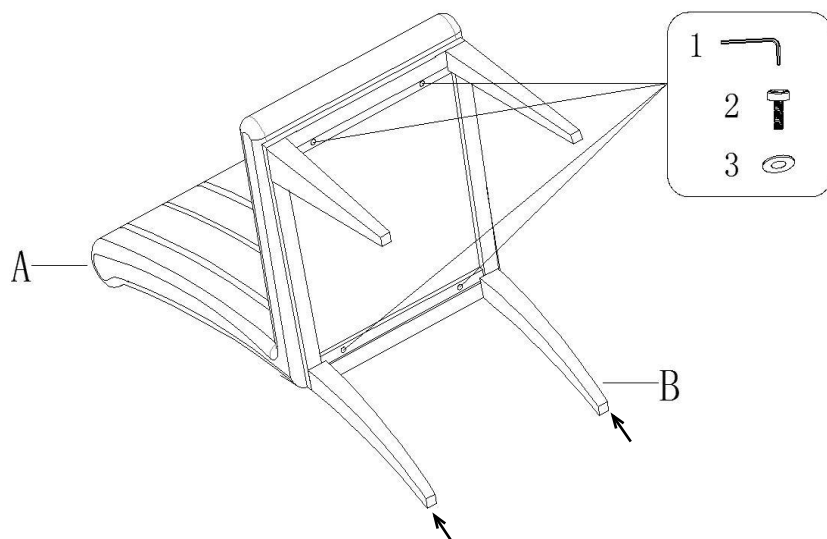
Quantities shown are for on chair

Phillips head screw driver is required in the assembly process; however, manufacturer does not provide this item.

ASSEMBLY

INSTRUCTIONS

STEP 1



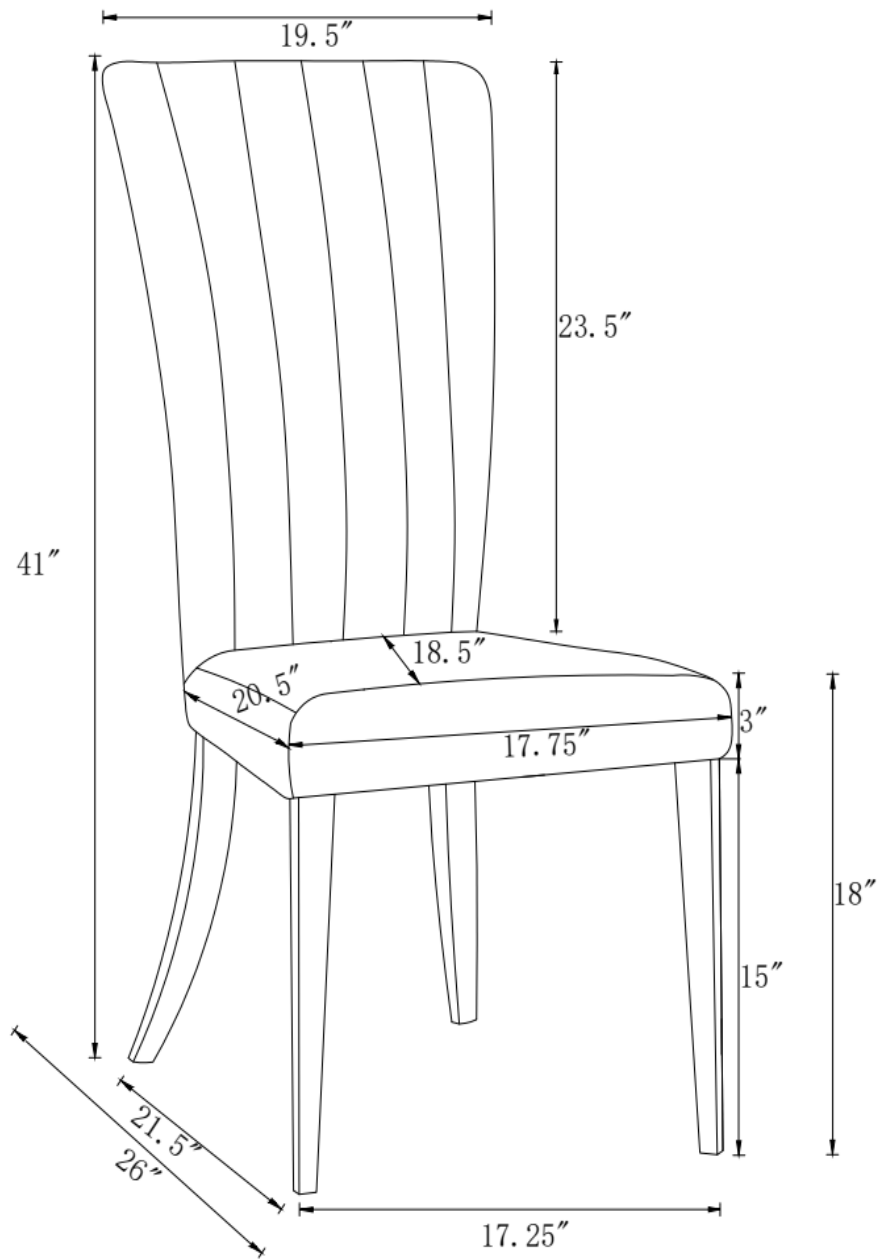
two back legs fixed adjust feet

STEP 2



THE CHAIR FIXED ADJUST FEETS





Note : Dimension tolerance $\pm 5\%$