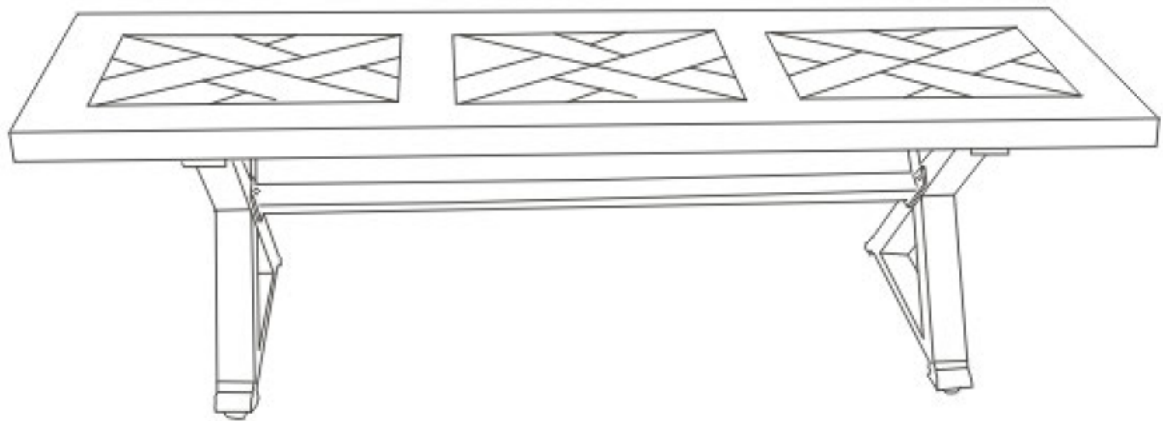


Assembly Instructions

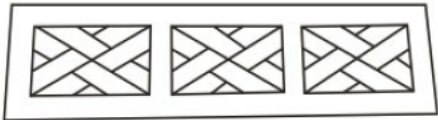


Caution: You must read this before you proceed

Bench




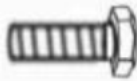



Caution: This Bench is NOT a TOY.
Keep your child/children at bay during the assembly process.

Part List

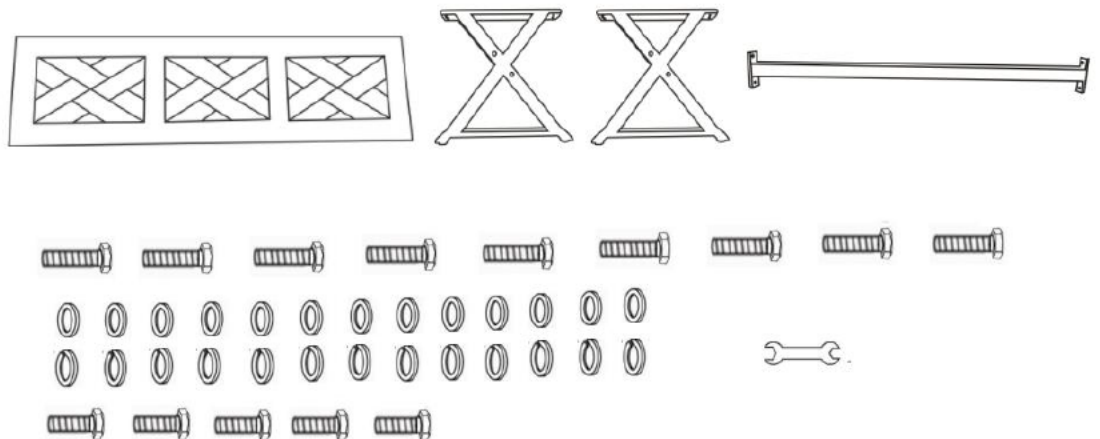
Label	Picture	Description	QTY
A		Seat Plate	1
B		Chair Leg(with Pre-attached Levellers)	2
C		Supporting Rod	1

Hardware

Label	Picture	Description	QTY
①		Hex Bolt(M6*35mm)	9
②		Washer(6mm)	13
③		Spring Washer(6mm)	13
④		Hex Bolt(M6*25mm)	5
⑤		Spanner	1

Assembly Preparation

Before Beginning Assembly:



- Read instructions, cover to cover-



- Have 2 adults on hand for assembly-



- Do not assemble on flooring or carpet-



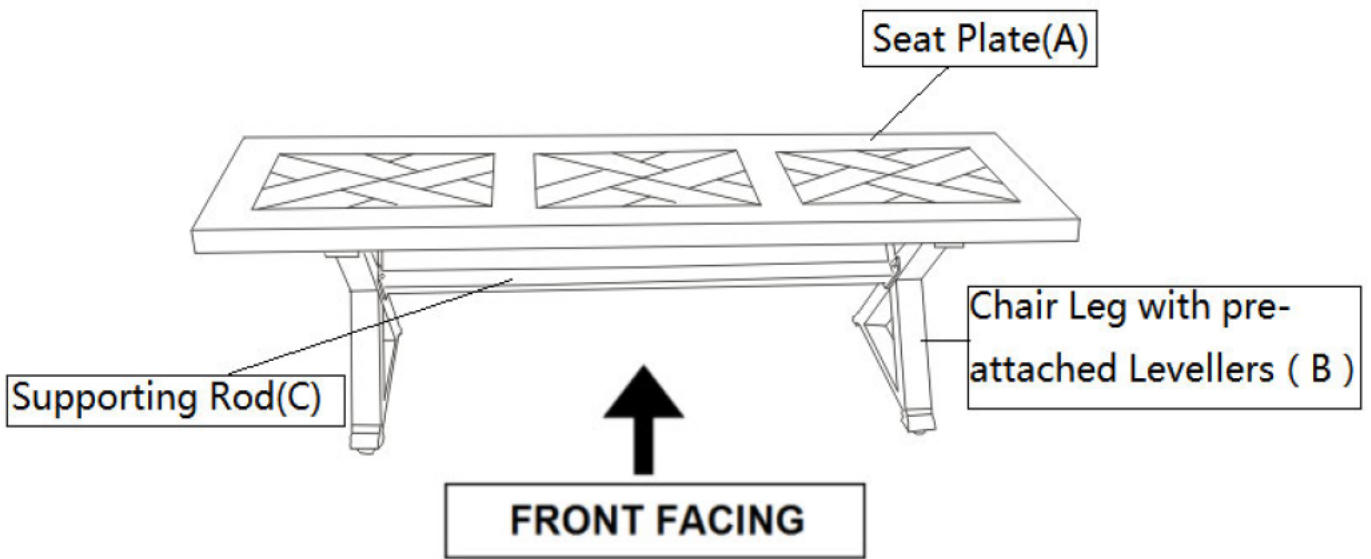
- Assemble on a clean non-marring surface (packing foam)-



- Save all packaging until finished-

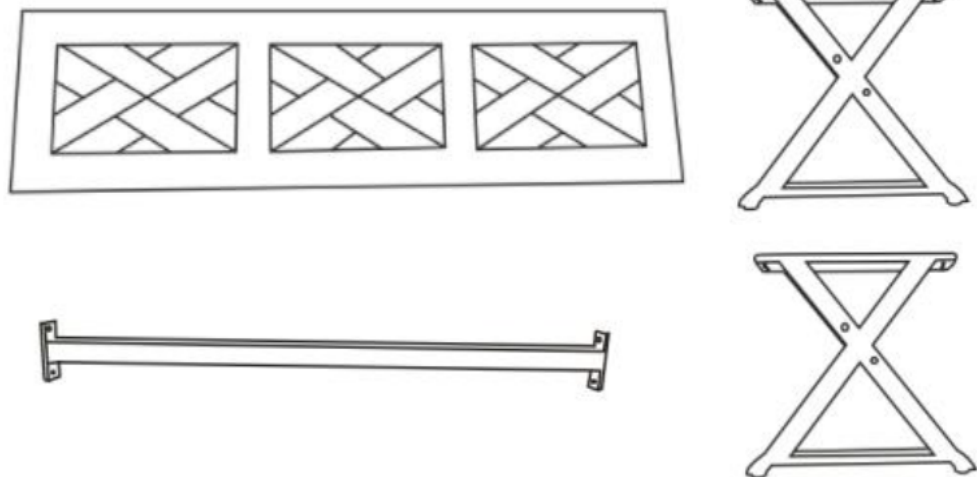
Assembly Steps

Overview



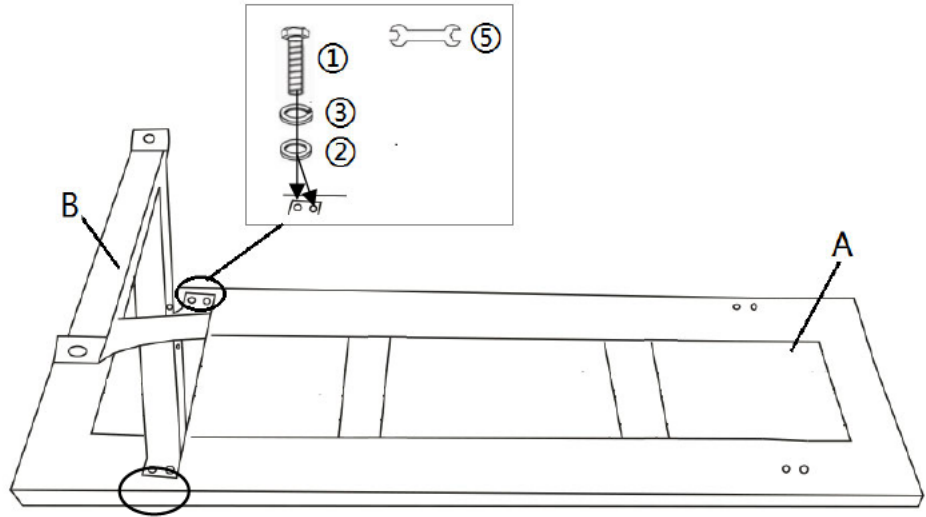
This Bench has multiple parts and may require up to 30 minutes to assemble. To give you an overview of the Bench parts, the above picture is to help you put the various parts into perspective. Please read through the instructions below to familiarise yourself with the parts and steps before assembly.

Step 1



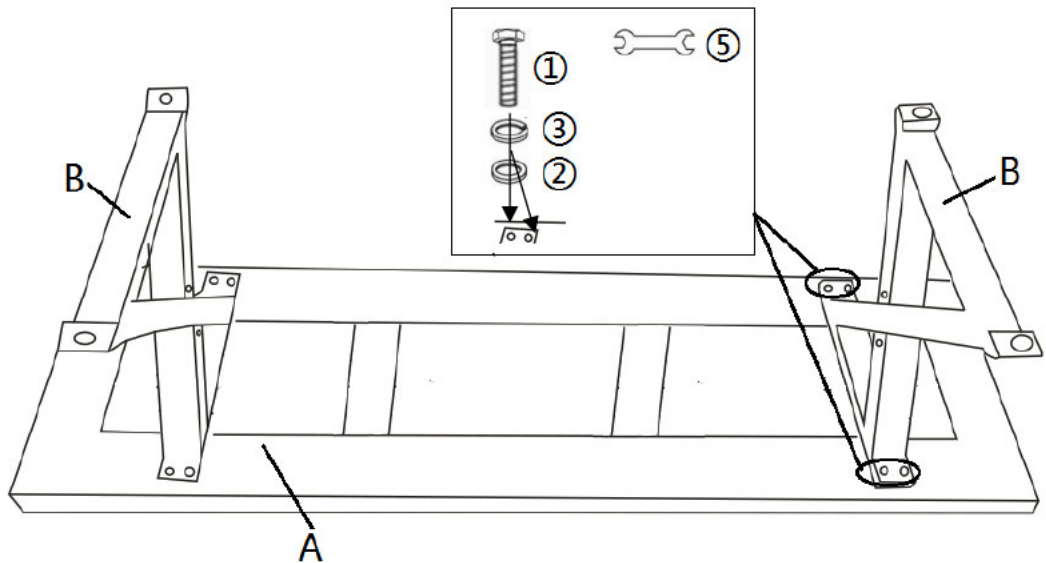
Unpack and place all parts on a clean, soft surface.

Step 2



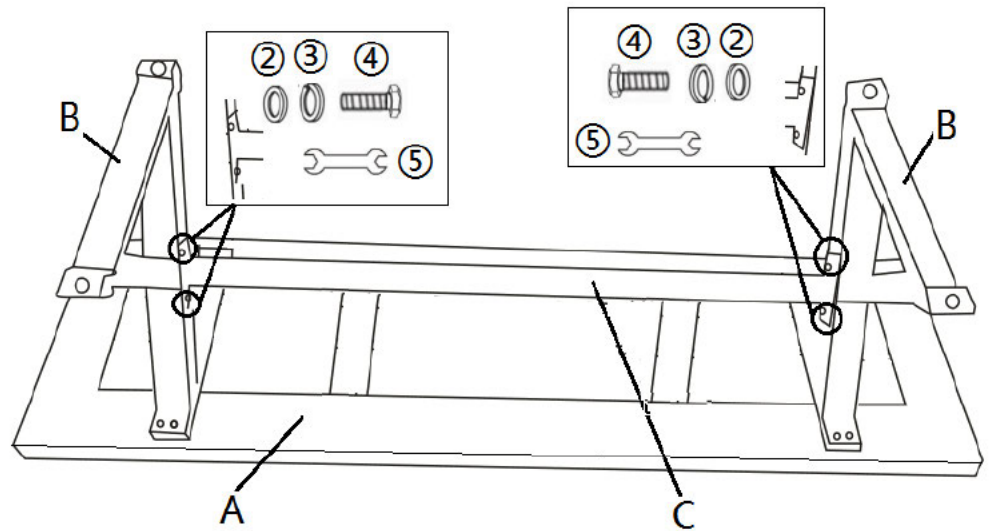
Attach Chair Leg with Pre-attached Levellers(B) to Seat Plate(A) using Washers(②), Spring Washers(③), and Hex Bolts(①) with Spanner(⑤).
Do not fully tighten the Bolts.

Step 3



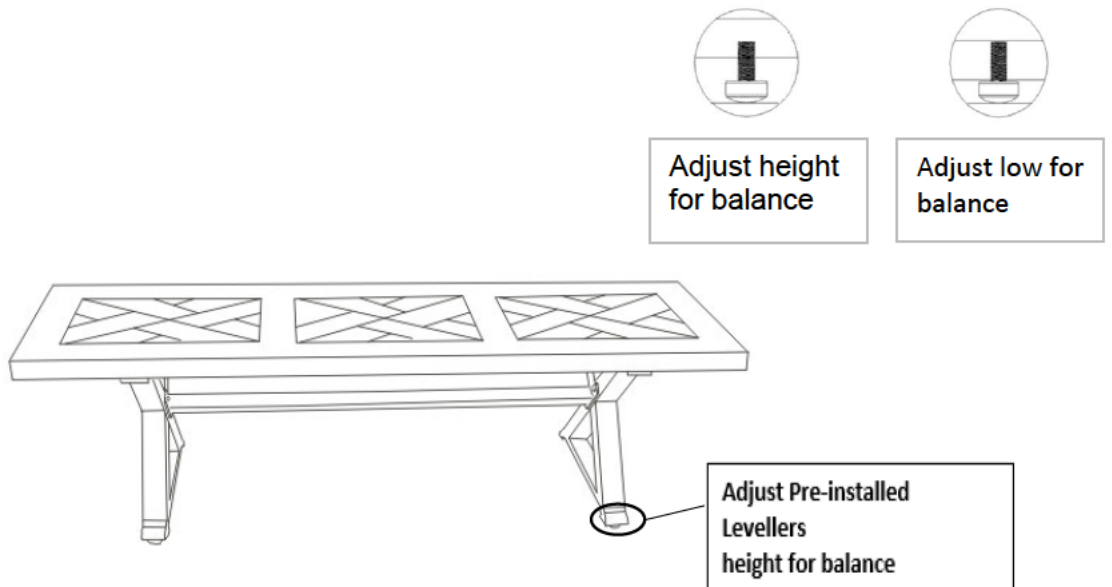
Attach Chair Leg with Pre-attached Levellers(B) to Seat Plate(A) using Washers(②), Spring Washers(③), and Hex Bolts(①) with Spanner(⑤).
Do not fully tighten the Bolts.

Step 4



Attach Supporting Rod(C) between Chair Legs with pre-attached Levellers(B) using Washers(2), Spring Washers(3) and Hex Bolts(4) with Spanner(5).
Do not fully tighten the Bolts.



















Step 5



Stand the Bench right side up.
Now, fully and securely, tighten all Bolts, at all joints.
Adjust the Legs pre-installed Levellers until the Bench is level with the ground.
Your Bench is ready for use.

This Bench can only be used on a flat, level surface.

Care & Maintenance

-   • Do not put hot items directly on furniture surface.
 -   • Do not clean furniture with harsh cleansers or polish.
 -   • To obtain the longest lifespan of your outdoor products, minimizing exposure to direct sunlight is recommended.
 -   • Children should not climb or jump on the furniture.
 -   • Do not write on furniture without a padded barrier to protect the surface.
 -   • To obtain the longest lifespan of your outdoor products, avoid extended and lengthy exposure to rain, snow, and direct sunshine. Whenever possible cover the product and /or place under patio or awnings.
 -   • Not for commercial use. For residential use only .
 -   • Stains may be removed with mild soap solution and damp cloth.
-
-   • Dust and pick-up spills using a clean, non-colored, lint-free cloth .