



Item No: TD-11413A

Teamson Kids-LILY COTTAGE- 2 PIECE
KITCHEN WHITE

WARNING:

Small parts and sharp points may be present prior to assembly.

Care Instructions

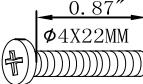
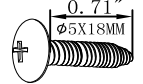
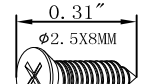
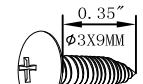


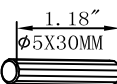
To clean your product, use mild soap and water on a damp cloth. Do not use window cleaners or cleaning abrasives as they will scratch the surface and could damage the protective coating.

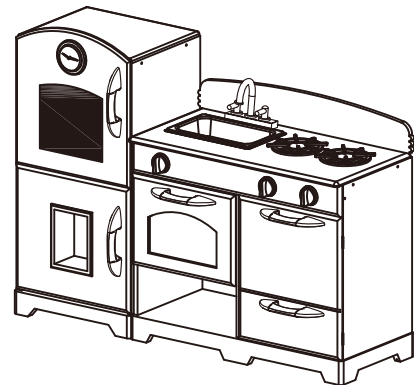
Customer Service

For questions regarding this product, or to receive replacement or missing parts, please contact customer service based on your location. Please have ready the model number and part number(s) located in this assembly instruction sheet when you contact us.

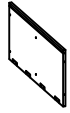
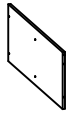
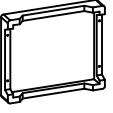
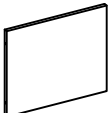
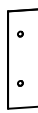

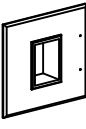





www.teamsonkids.com

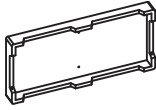
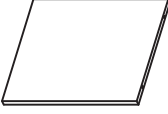
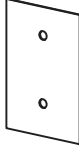



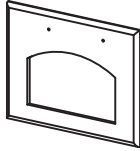
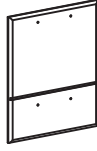


HARDWARES :

- ①  33PCS
- ②  10PCS
- ③  16PCS
- ④  16PCS
- ⑤  4PCS
- ⑥  4PCS
- ⑦  2PCS



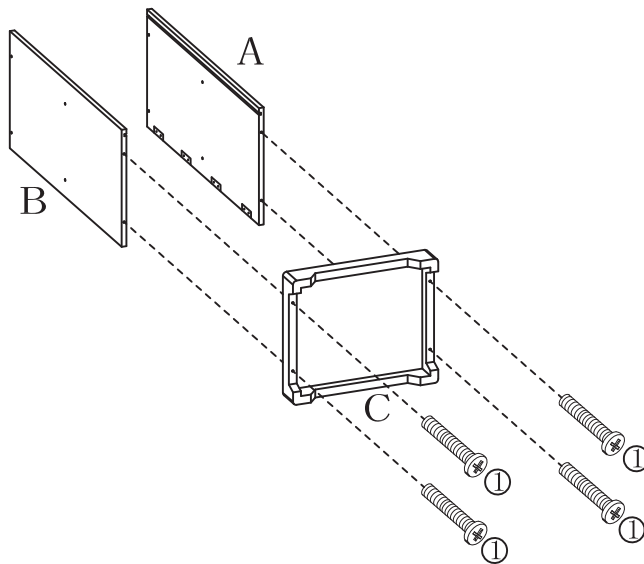
PRODUCT PARTS :

A	B	C	D	E	F
					
1PC	1PC	1PC	1PC	1PC	1PC
G	H	I	J	K	L
					
1PC	1PC	5PCS	1PC	1PC	1PC

M	N	O	P	Q	R
					
1PC	1PC	2PCS	1PC	1PC	1PC
S	T	U	V		
					
1PC	1PC	1PC	1PC		

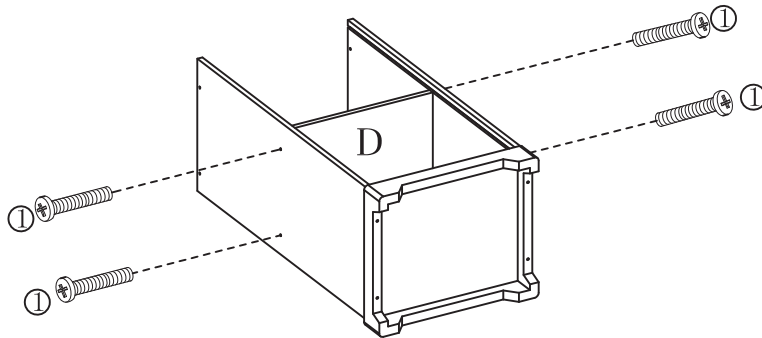
Step 1

①  4PCS
 $\phi 4 \times 22 \text{MM}$

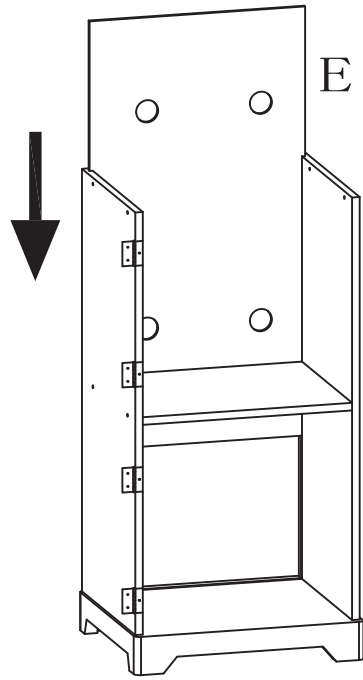


Step 2

①  4PCS
 $\phi 4 \times 22 \text{MM}$

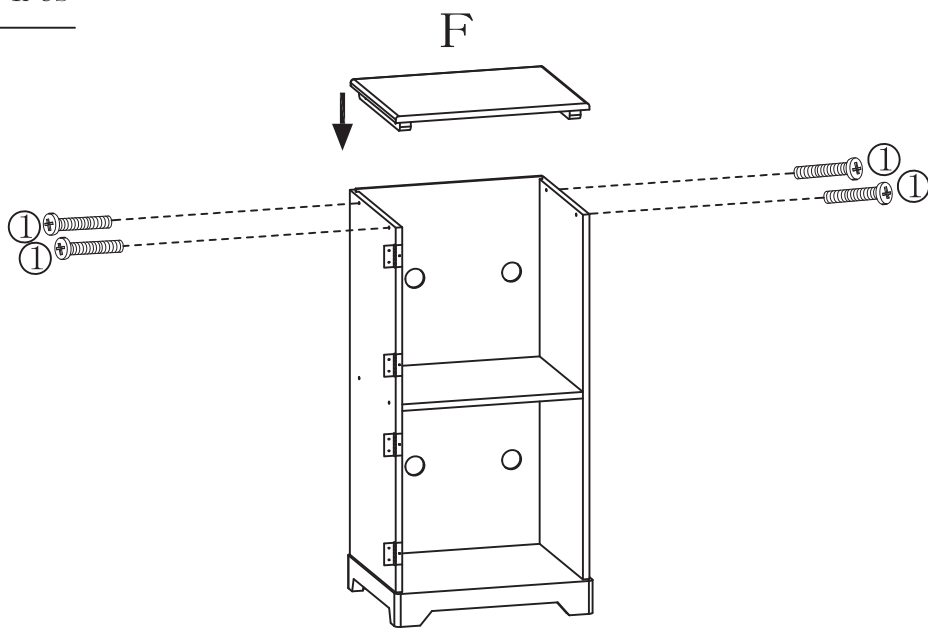


Step 3



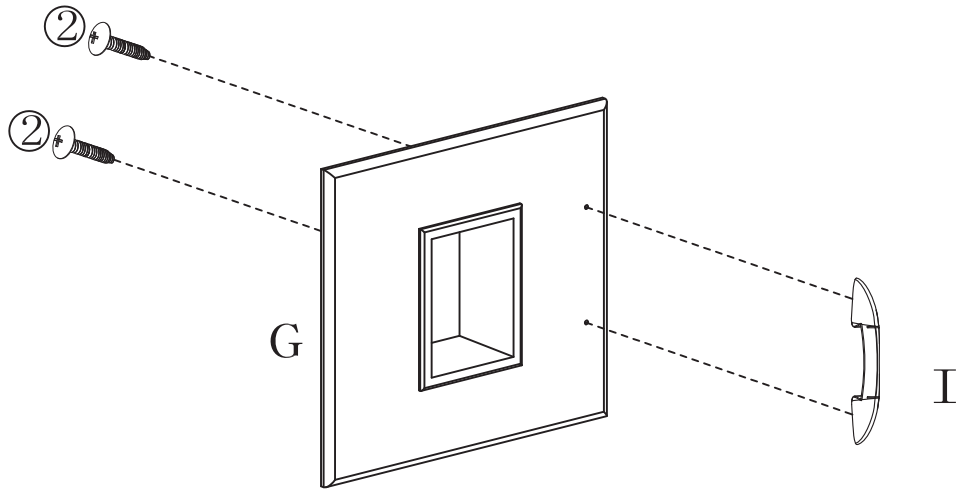
Step 4

①  4PCS
φ4X22MM



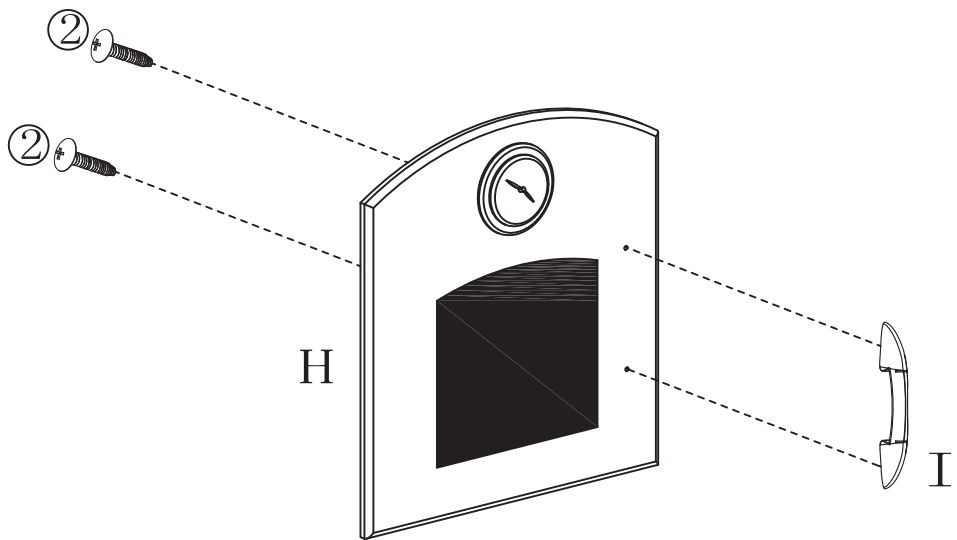
Step 5

②  2PCS
ø5X18MM



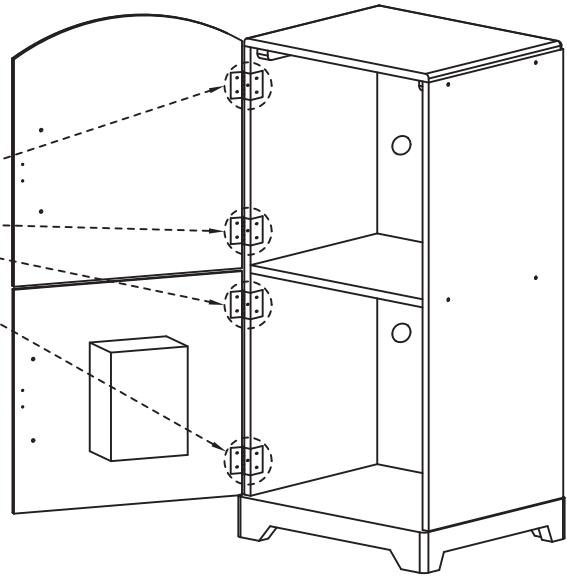
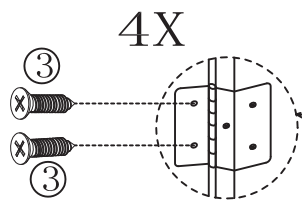
Step 6

②  2PCS
ø5X18MM



Step 7

③  8PCS
φ2.5X8MM

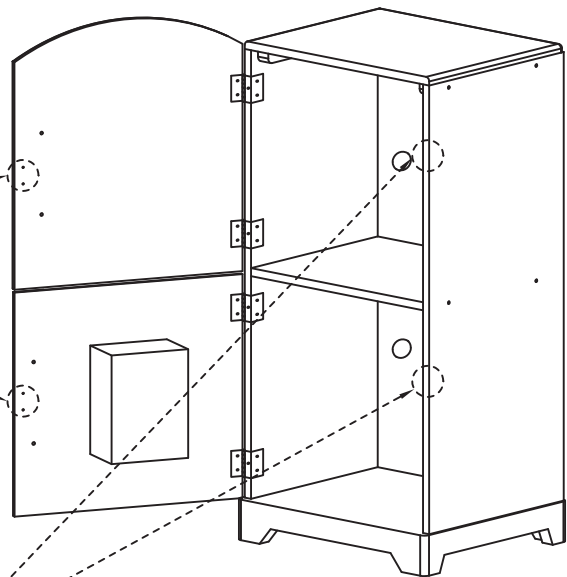
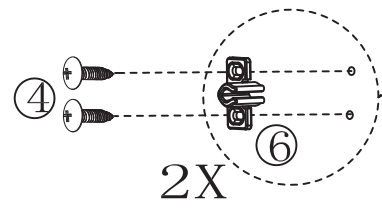
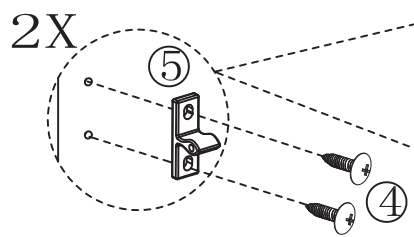


Step 8

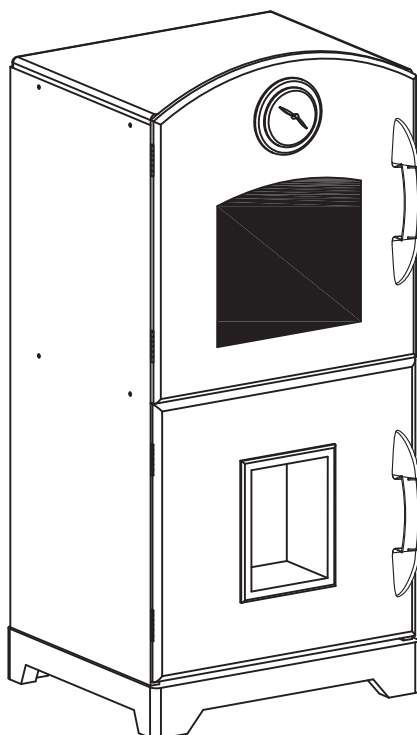
④  8PCS
φ3X9MM

⑤  2PCS

⑥  2PCS

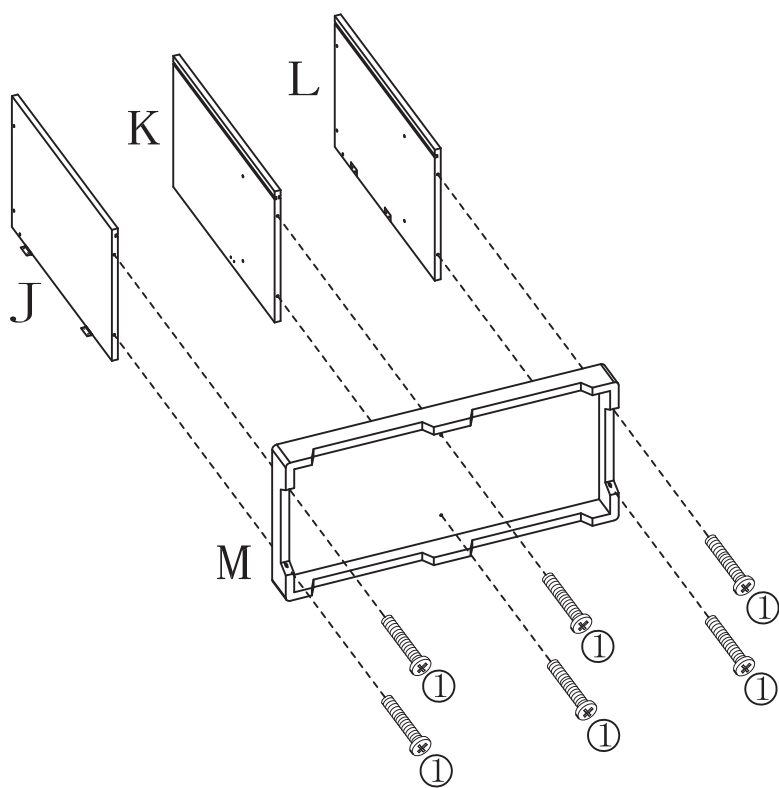


Step 9



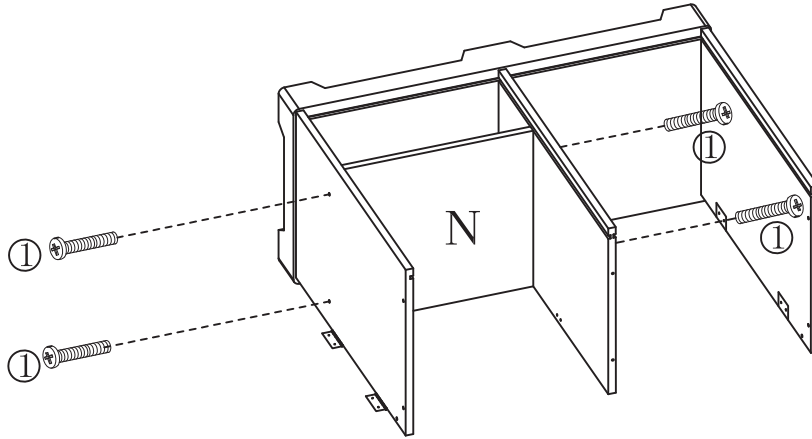
Step 10

①  6PCS
ø4X22MM

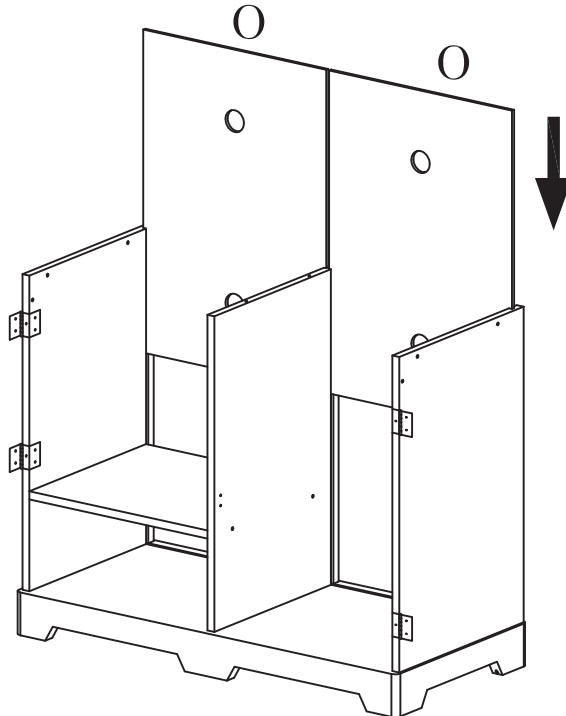


Step 11

①  4PCS
ø4X22MM

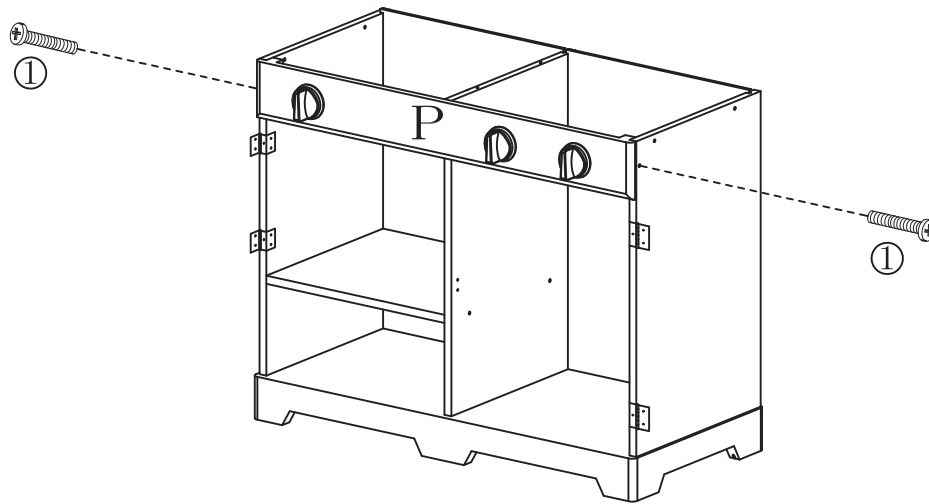


Step 12



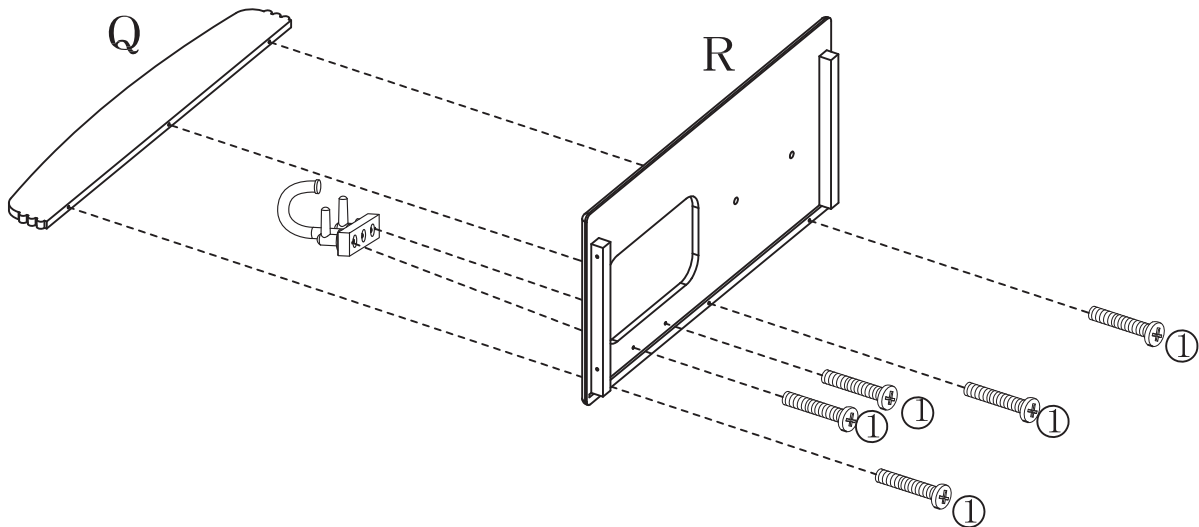
Step 13

①  2PCS
φ4X22MM



Step 14

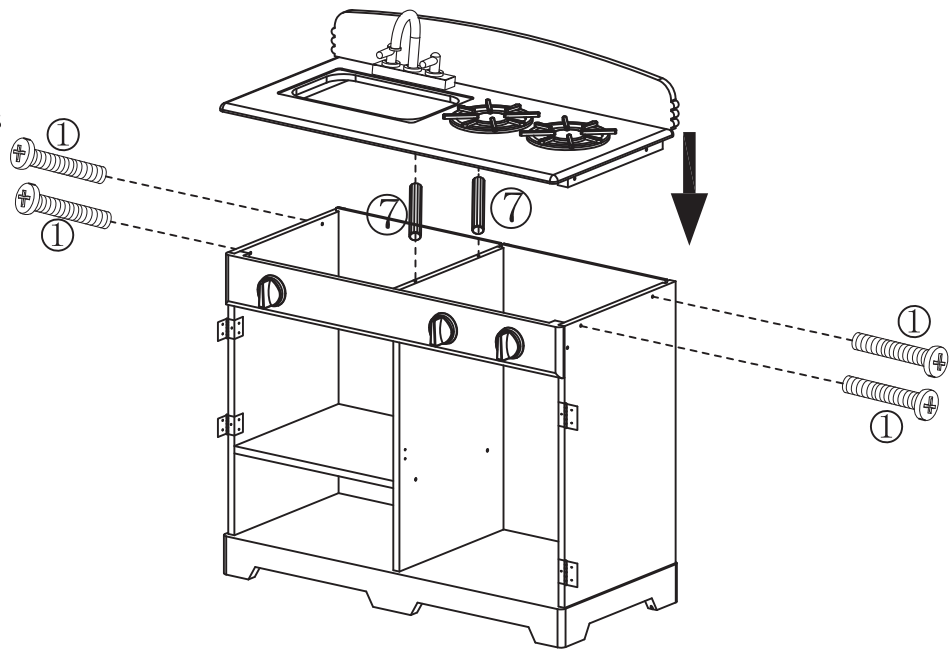
①  5PCS
φ4X22MM



Step 15

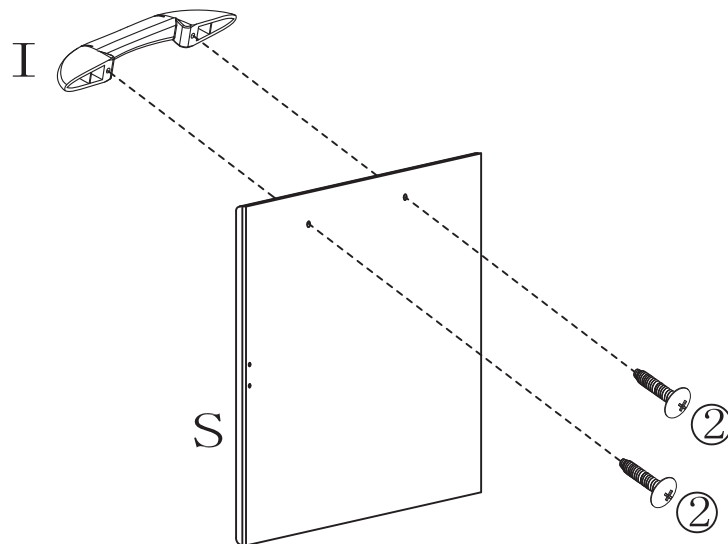
①  4PCS
Ø4X22MM

⑦  2PCS
Ø5X30MM



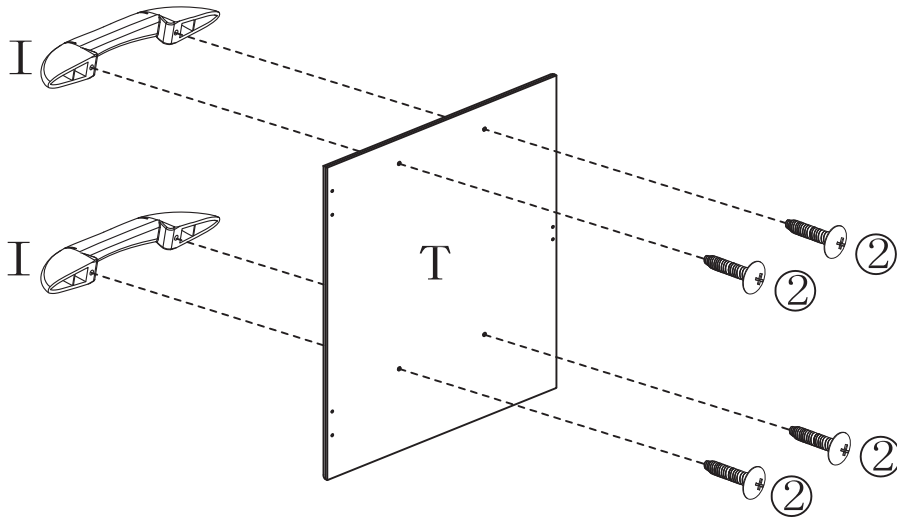
Step 16

②  2PCS
Ø5X18MM



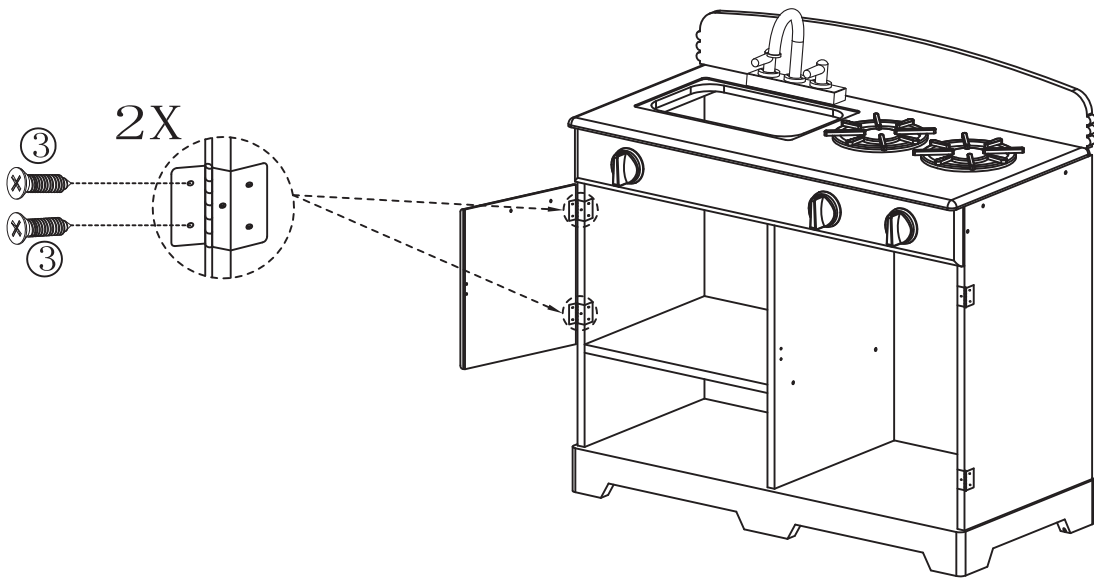
Step 17

②  4PCS
Ø5X18MM



Step 18

③  4PCS
Ø2.5X8MM

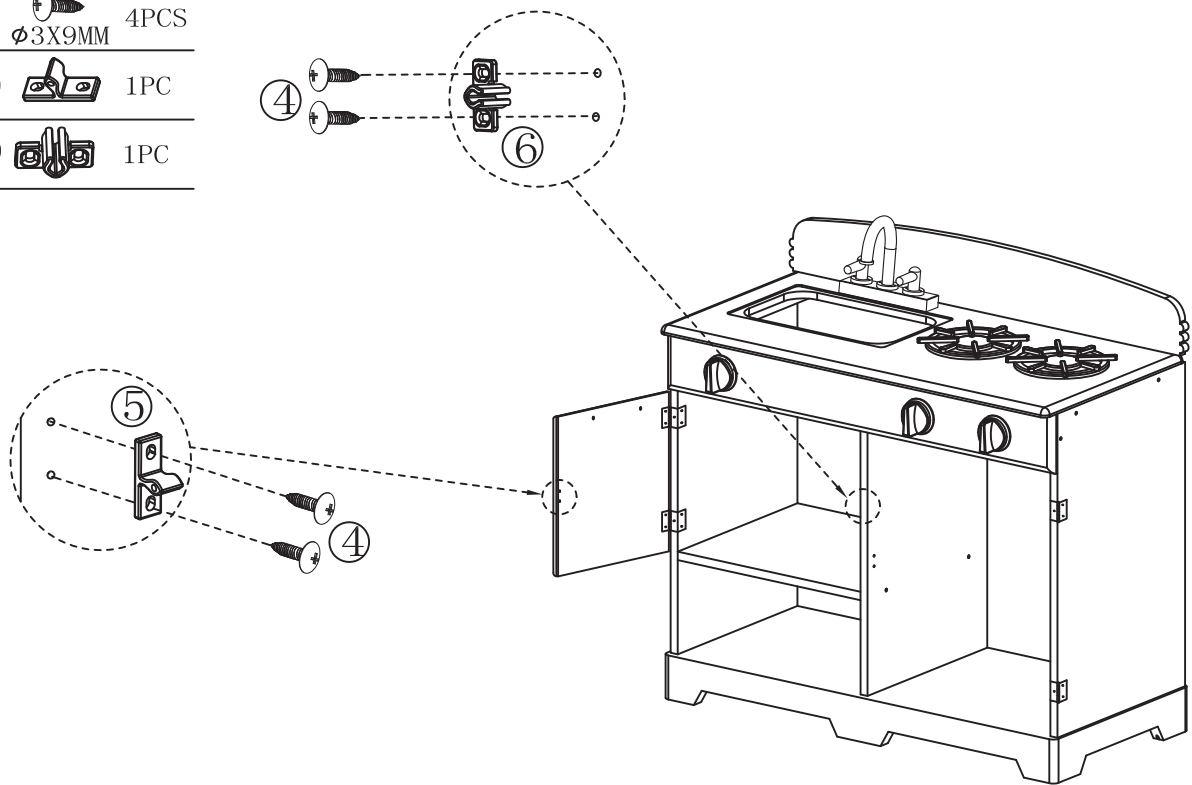


Step 19

④  4PCS
φ3X9MM

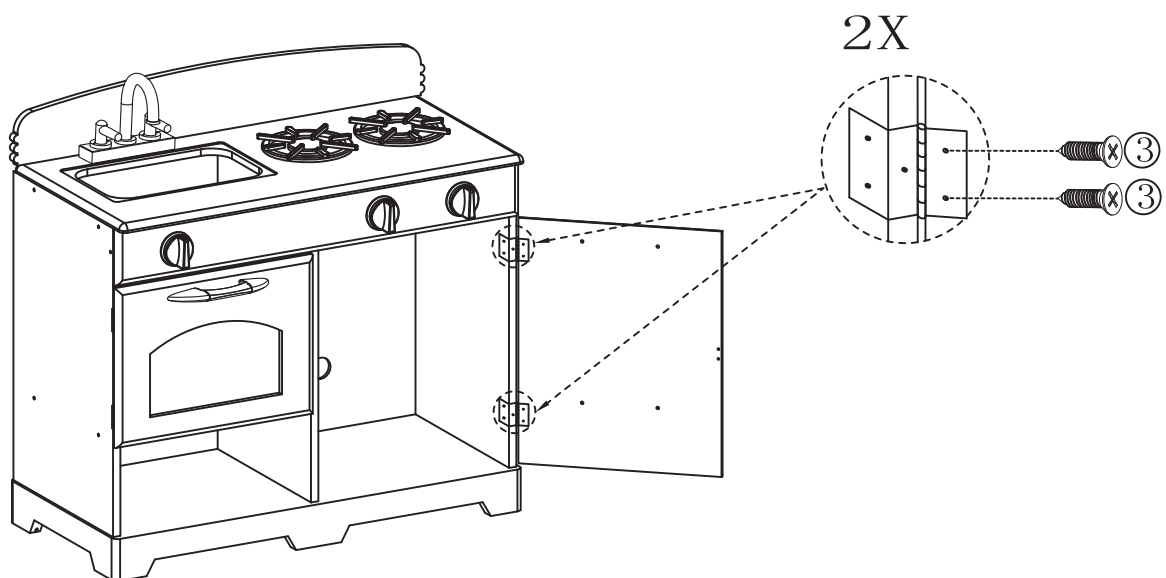
⑤  1PC

⑥  1PC



Step 20

③  4PCS
φ2.5X8MM

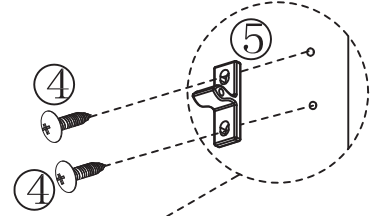
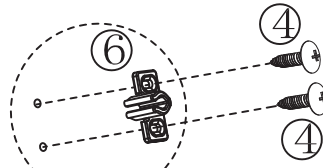
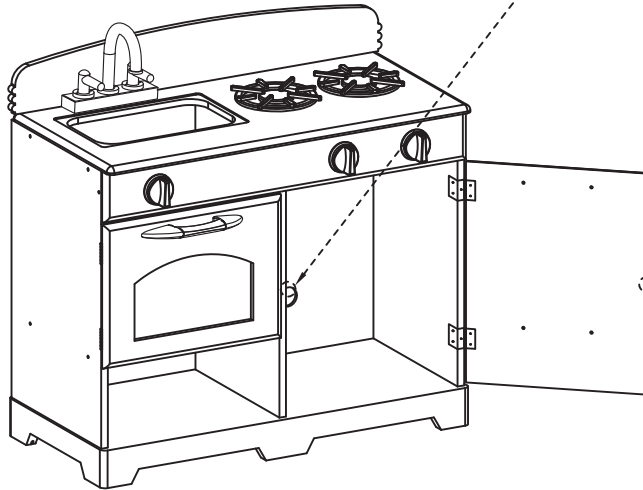


Step 21

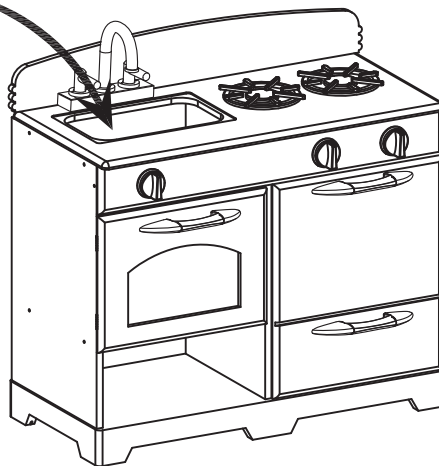
④  4PCS
ø3X9MM

⑤  1PC

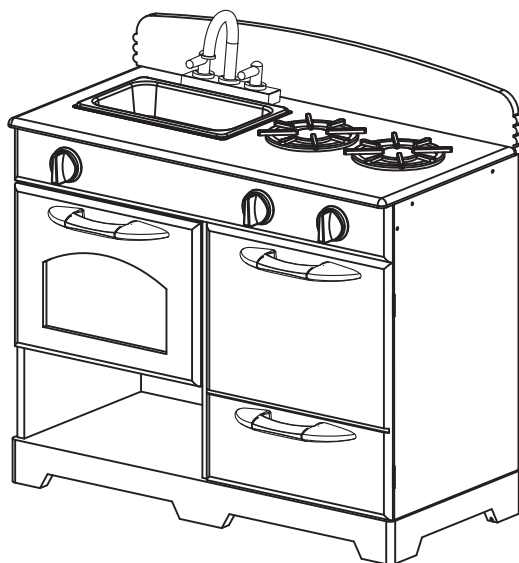
⑥  1PC



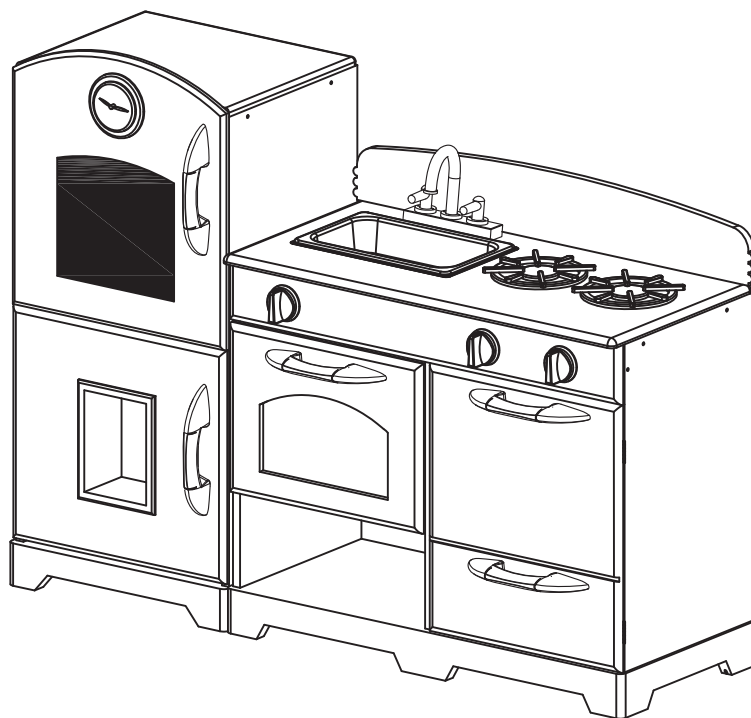
Step 22



Step 23



Step 24



MADE IN CHINA