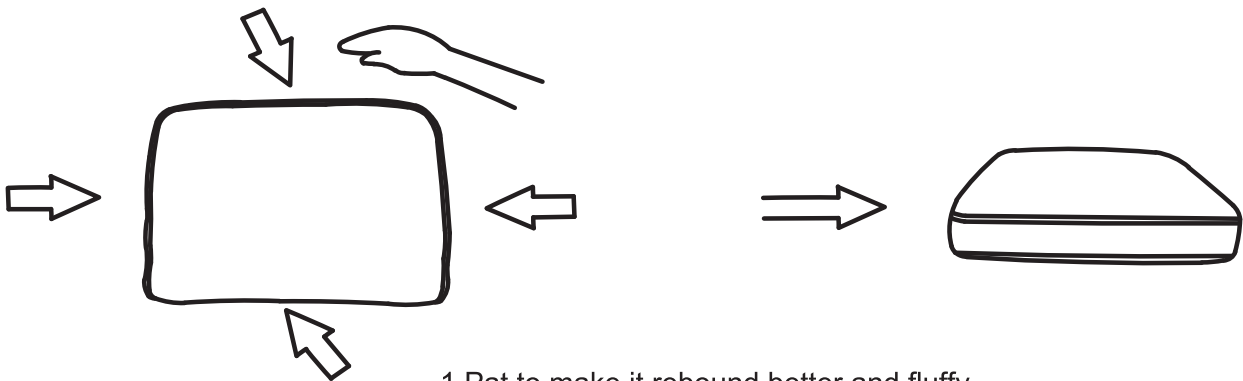


# ASSEMBLY INSTRUCTIONS



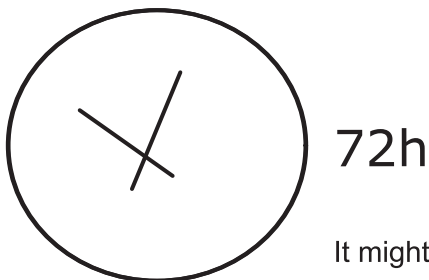
# TIPS:

1. The sectional sofa comes in 2 separate boxes, might be delivered at different times. Please wait several days patiently.
2. Due to differences of light effects, the actual color of the materials might be slightly different from the pictures.
3. No Assembly Required. This sofa can free of your stereotyped nightmare of furniture assembly.
4. Due to package compression for better shipment, the fabric may have wrinkles.
5. Please take all packages out and pat every part to make it rebound better and fluffy, so that it can restore to picture-like status.
6. Please keep children away from the plastic bags.



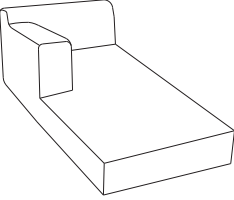
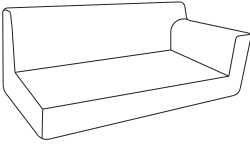
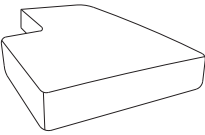
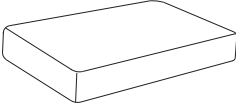
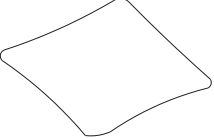
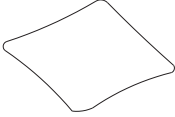
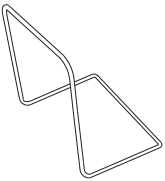
1. Pat to make it rebound better and fluffy.

2. Knead your cushion like giving your cushion a massage while allowing the air to flow through the foam.



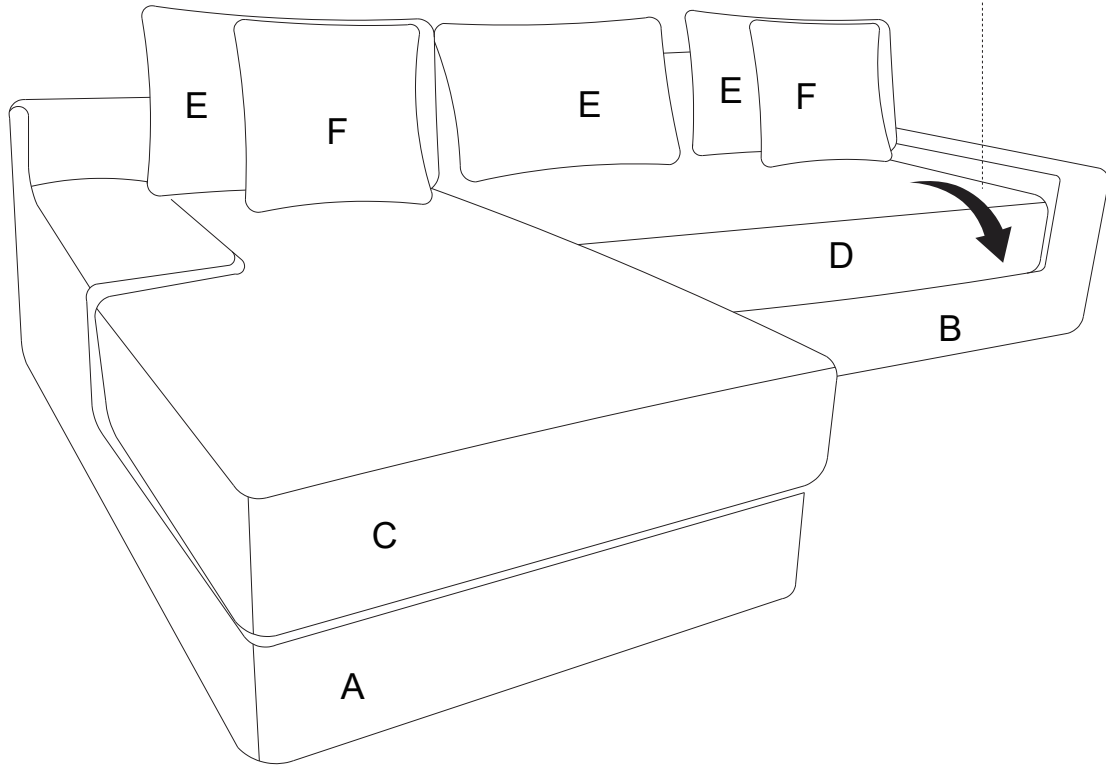
It might takes up to 72 hours.

# PART LIST:

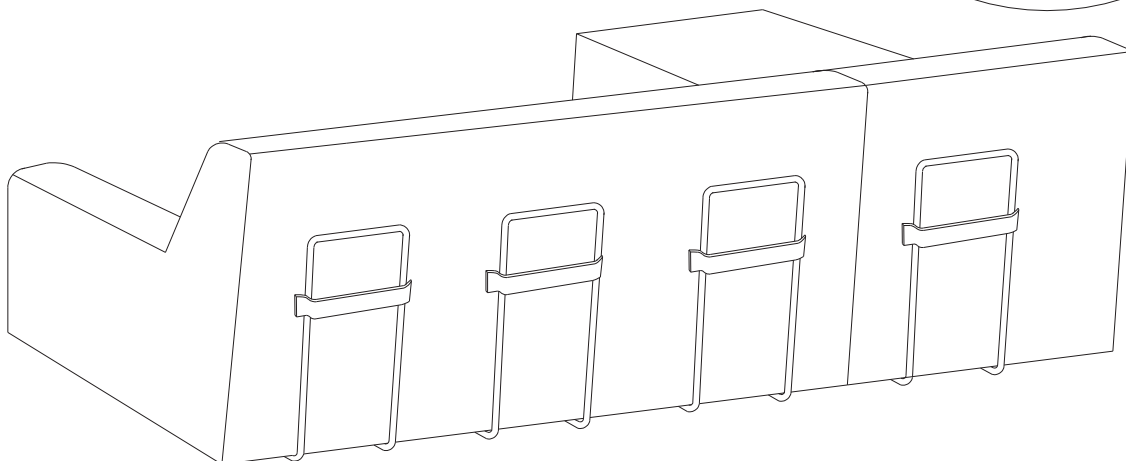
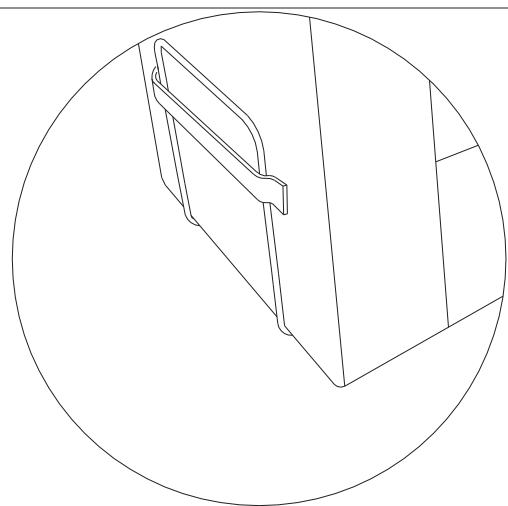
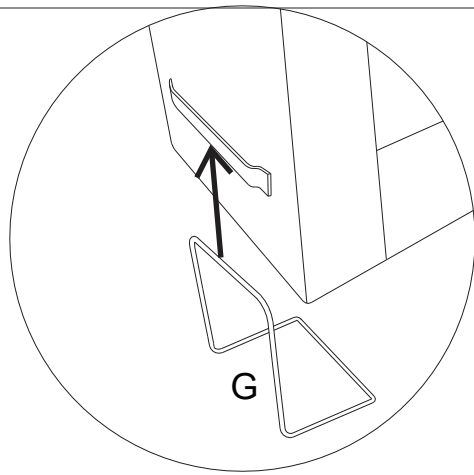
NO	DESCRIPTION	SKETCH	QTY	
A	LEFT CHAIR FRAME		1PC	B x 1 D x 1 E x 2 G x 3
B	RIGHT CHAIR FRAME		1PC	
C	LEFT SEAT		1PC	
D	RIGHT SEAT		1PC	A x 1 C x 1 E x 1 F x 2 G x 1
E	BACK		3PCS	
F	PILLOW		2PCS	
G	METAL FRAME		4PCS	

1

Pick up the seat cushion

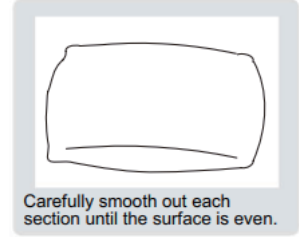
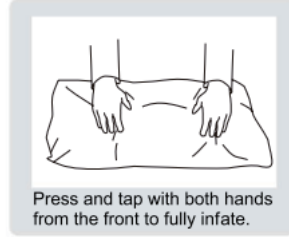
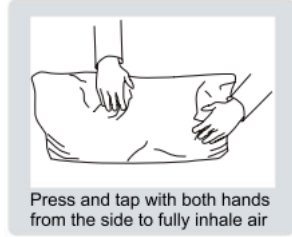
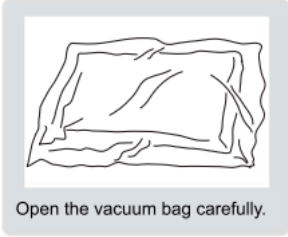


2



3

Open the vacuum bag and take the cushions(A/B/D), pillows(E/F) out.  
To restore the original shape, follow the steps bellow.



After packing up, place them in somewhere dry and venslated. After about 72-96 hours. It can be restored to the best use condition.

