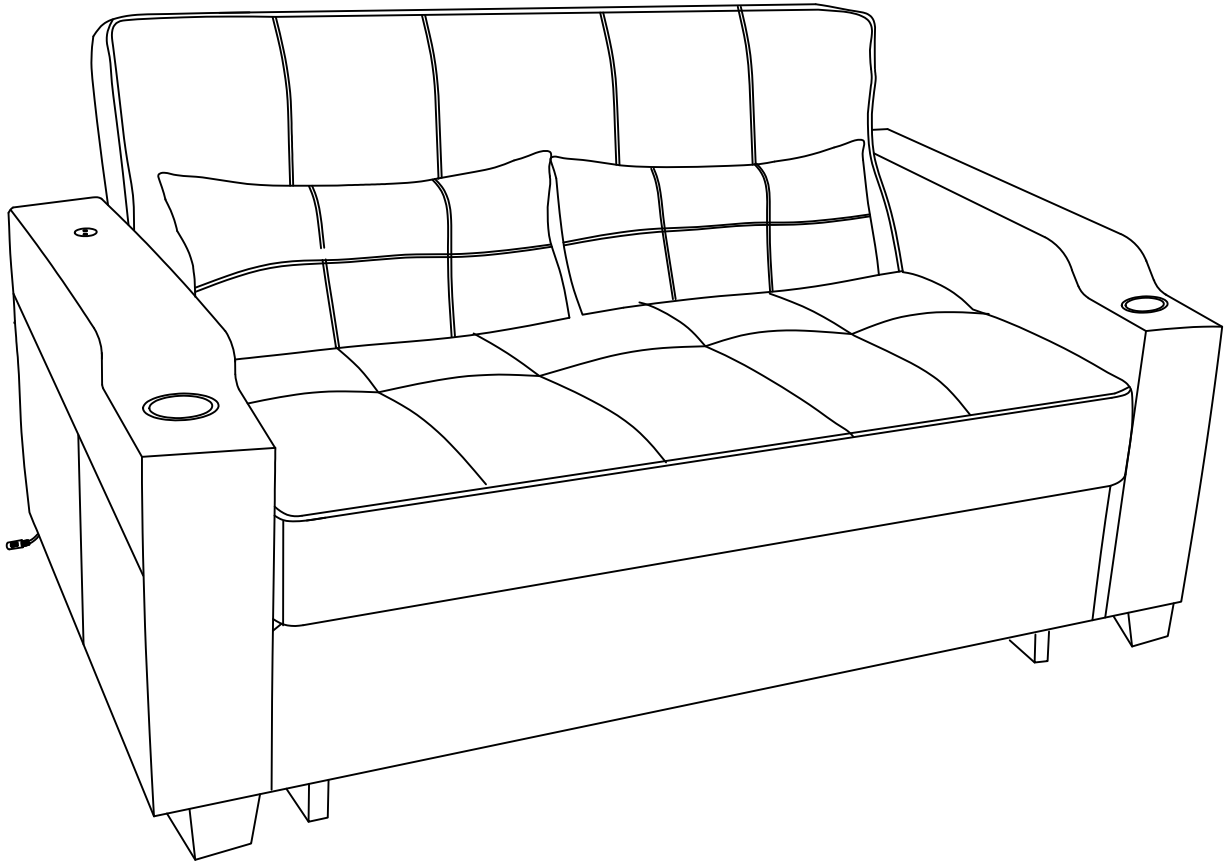


SOFA BED



CUSTOMER SERVICE

Questions, Missing parts, Assembly help?

No need to return the product, we will gladly help and ship your replacement parts free of charge. Please contact us at support@vingli.com or go to www.vingli.com/pages/contact-us.

In order to assist you in a timely manner, please have the following information ready:

Product Name _____ Model# _____

Purchased at _____ Order Id _____

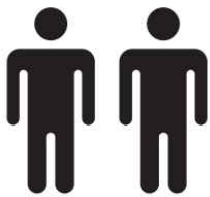
If you wish to return the product, please contact the retailer where the product was purchased.

PRE-ASSEMBLY INFORMATION

IMPORTANT: Please read this manual carefully before beginning assembly of this product. Keep this manual for future reference.

NOTICE

- Please keep this manual and hand it over when you transfer the product.
- Please read the following instructions carefully and use the product accordingly.
- This summary may not include every detail of all variations and considered steps. Please contact us when further information and help are needed.
- Please do not exceed the weight limitations of this item.
- Do not stand on or use any part of this item as a step ladder.
- If any parts are missing, broken, damaged, or worn, stop using this item until repairs are made and/or factory replacement parts are installed.
- Please assemble the item in a spacious room and do not place the unwrapped product directly on the ground to avoid damage.
- Do not use this item in a way inconsistent with the manufacturer's instructions as this could void the product warranty.
- Periodically inspect screw tightness while the product is in use. If necessary, retighten to ensure structural integrity.
- To avoid the potential dangers of suffocation, please keep all parts and packaging (films, plastic bags and foam, etc.) away from children and pets.
- Do not use or store this item in the proximity of open flame or flammable/combustible chemicals.
- Do not expose product to direct sunlight exposure or rain, and do not put it in a humid place. Failure to do so may accelerate the distortion or discoloration.



TWO PERSON ASSEMBLY



UP TO 30 MINUTES
FOR ASSEMBLY

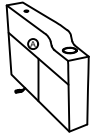


WEIGHT LIMITATION
600 LBS

IMPORTANT

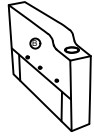
1. Do not tighten bolts / screws completely until all bolts / screws are lined up and inserted into holes.
2. Do not over tighten screws and bolts to avoid stripping.
3. Please use hand tools to assemble this product. If you're using power tools, remember to set the tool to low torque to avoid damage.

COMPONENTS



1PC

A LSF Arm



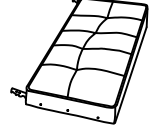
1PC

B RSF Arm



1PC

C Back Frame



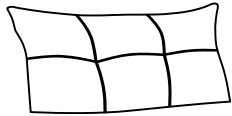
1PC

D Seat Frame



1PC

E Footrest



2PCS

F Pillow



1PC

G Front Panel



1PC

H Back Panel

HARDWARE

I Back Panel Connector



4PCS

J Left Iron Stopper



1PC

K Right Iron Stopper



1PC

L Front Panel Connector



2PCS

M Short Screw



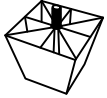
M6*18 28PCS

N Long Screw



M8*100 6PCS

O Plastic Leg



4PCS

P Spring Washer



M8 6PCS

Q Iron Washer



M8*Ø20*2 8PCS

R Left Front Wheel



1PC

S Left Rear Wheel



1PC

T Right Front Wheel



1PC

U Right Rear Wheel



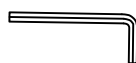
1PC

V Plastic Washer



4PCS

W Wrench



1PC

X Screw



M6*25 4PCS

Y Middle Screw



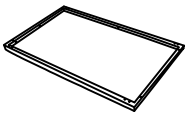
M6*35 5PCS

Z Screw



M8*20 4PCS

a Footrest Frame



1PC

b Right Sofa Connector



1PC

c Left Sofa Connector



1PC

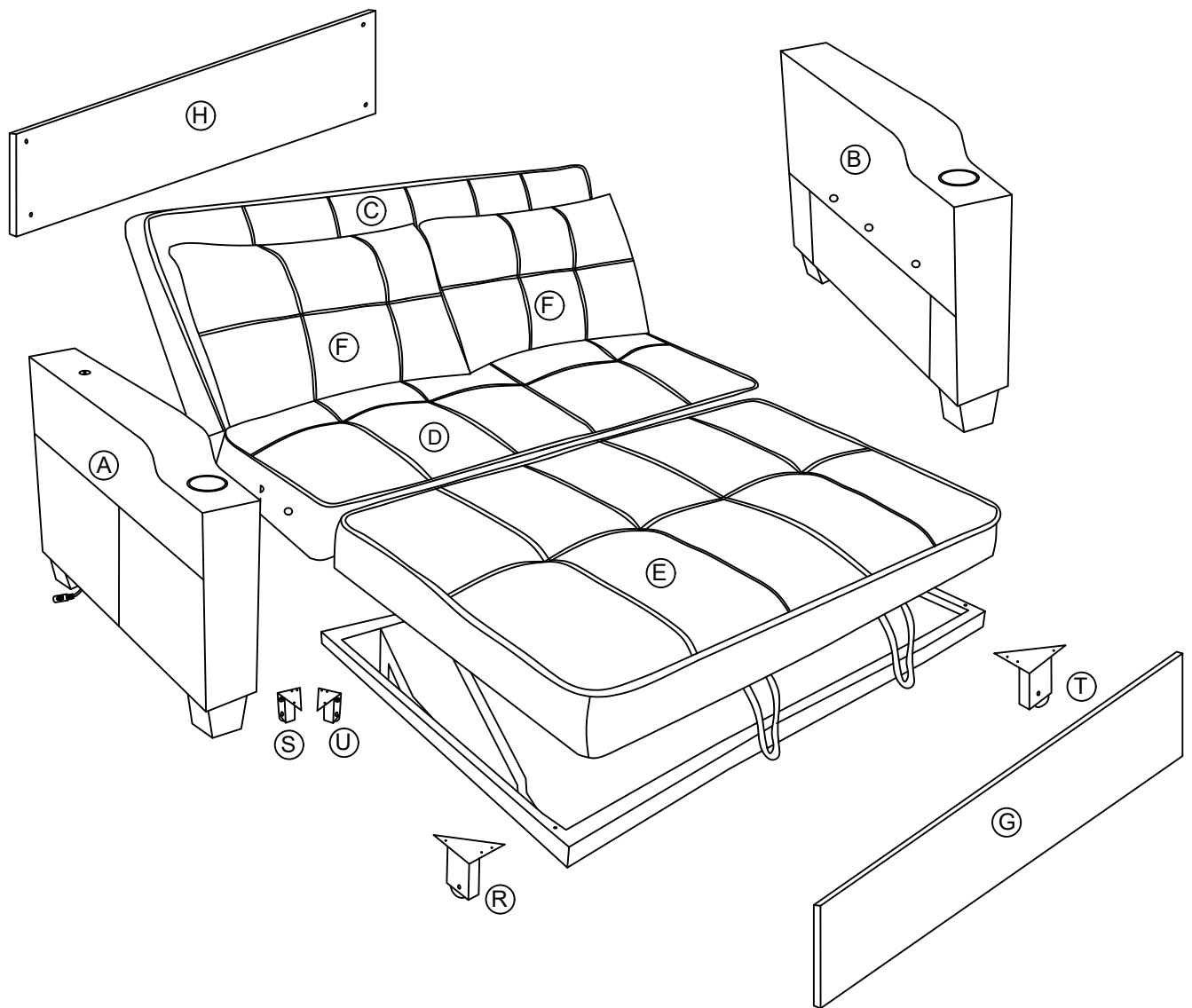
d Charger



1PC

The hardware quantities listed above are required for proper assembly.
Some extra bolt and washer may also have been included.

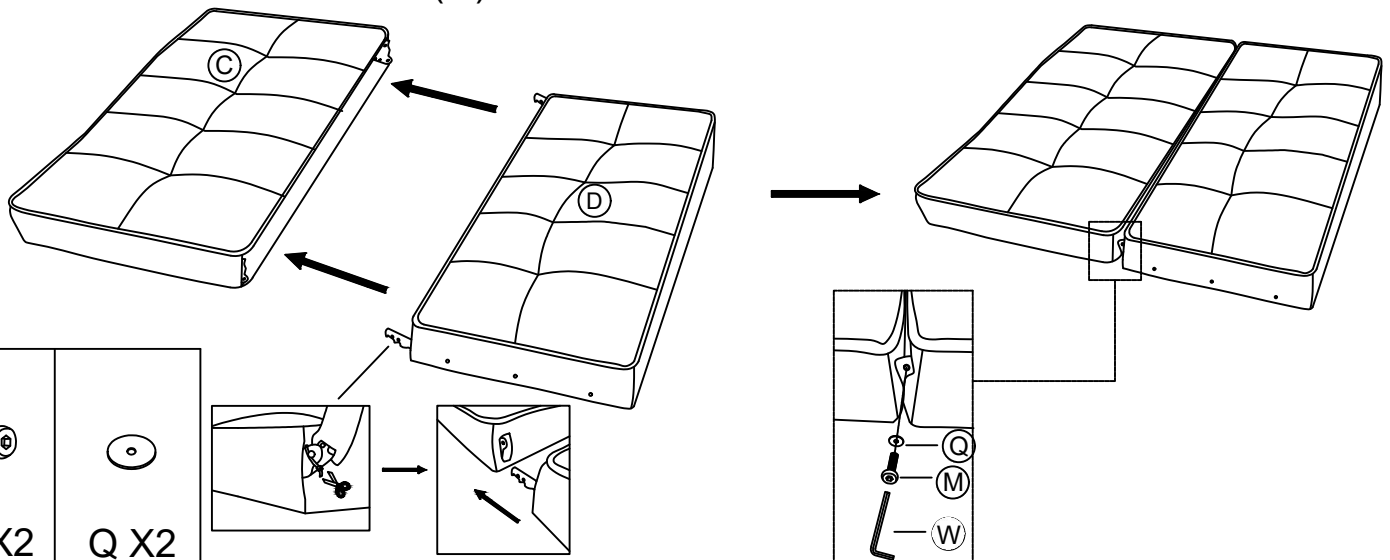
COMPONENTS



⚠ IMPORTANT: Do not tighten bolts completely until all bolts are lined up and inserted into holes.

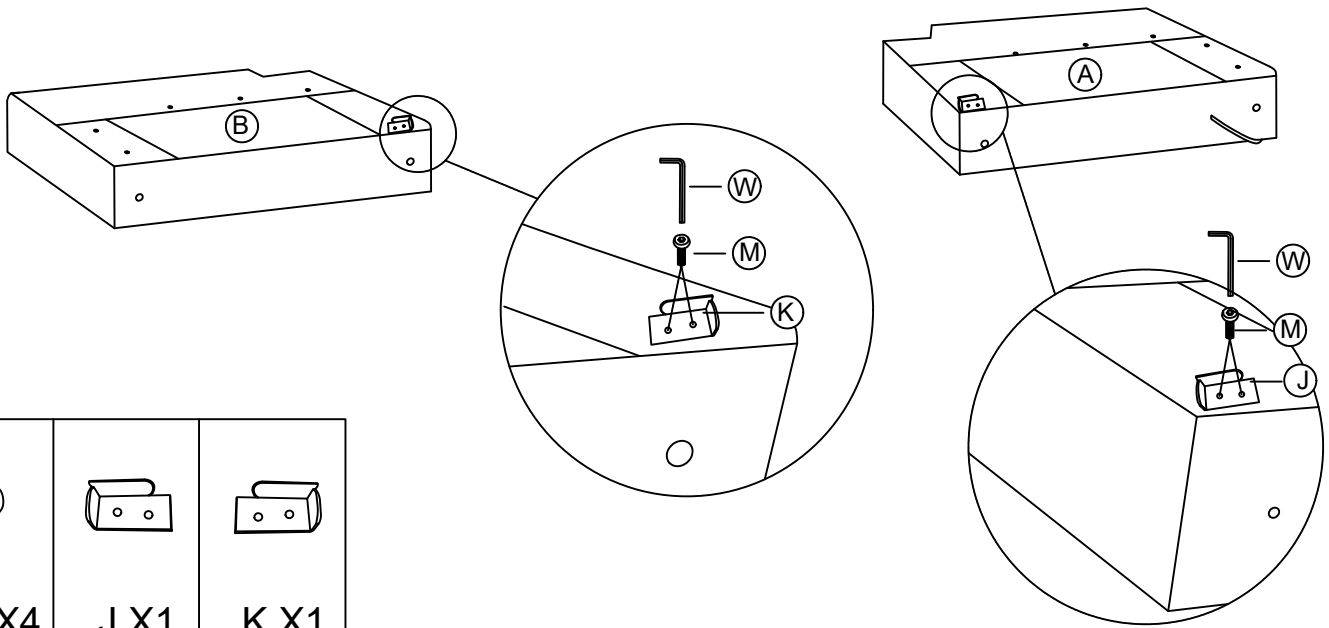
ASSEMBLY STEPS

STEP 1 Attach the seat frame (D) to the back frame (C) using the short screws (M) and iron washers (Q).

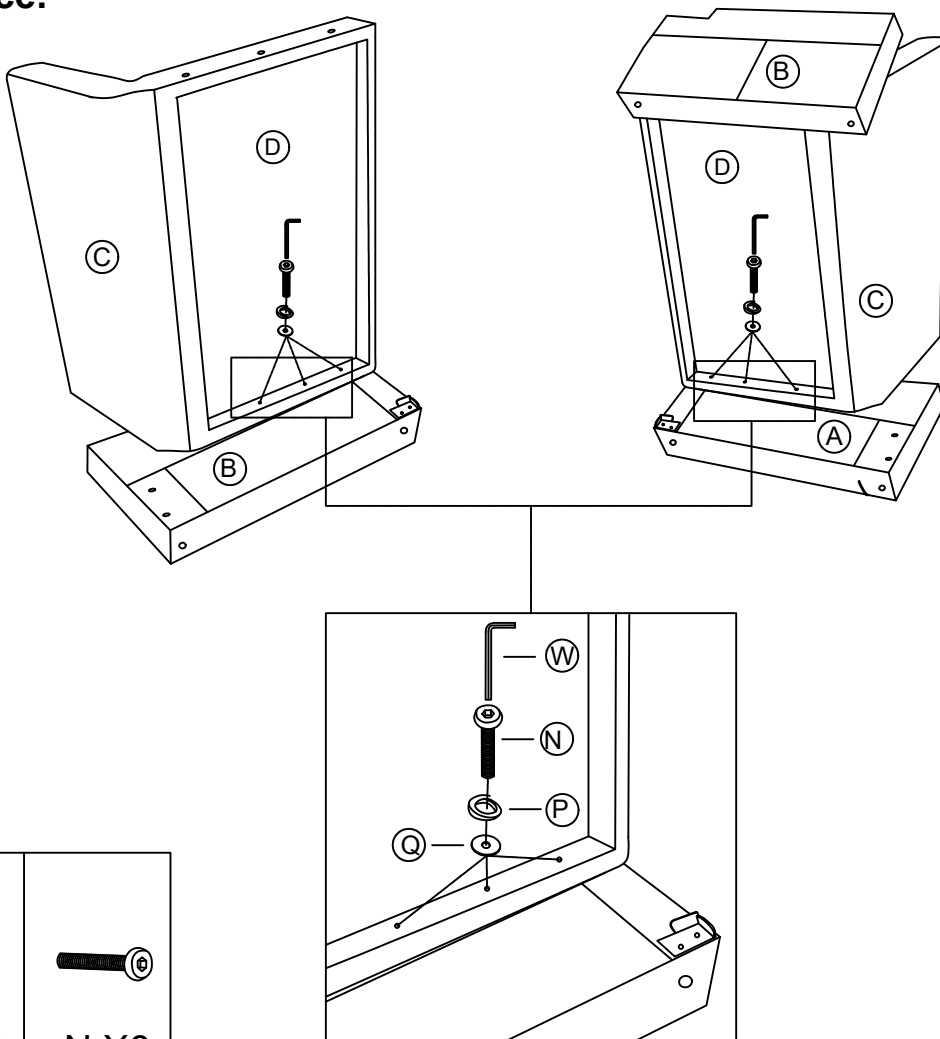


ASSEMBLY STEPS

STEP 2 Attach the left and right iron stoppers (J) and (K) to the left and right arms (A) and (B) using the short screws(M).

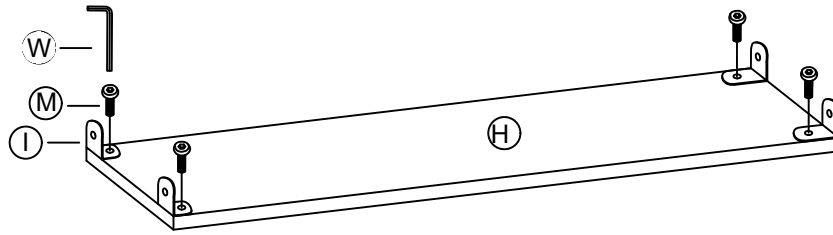


STEP 3 Secure the left and right arms (A) and (B) to the seat frame (D) using long screws(N) and spring washers (P) and iron washer (Q).
Do not fully tighten the long screws(N) until the back panel H is in place.



ASSEMBLY STEPS

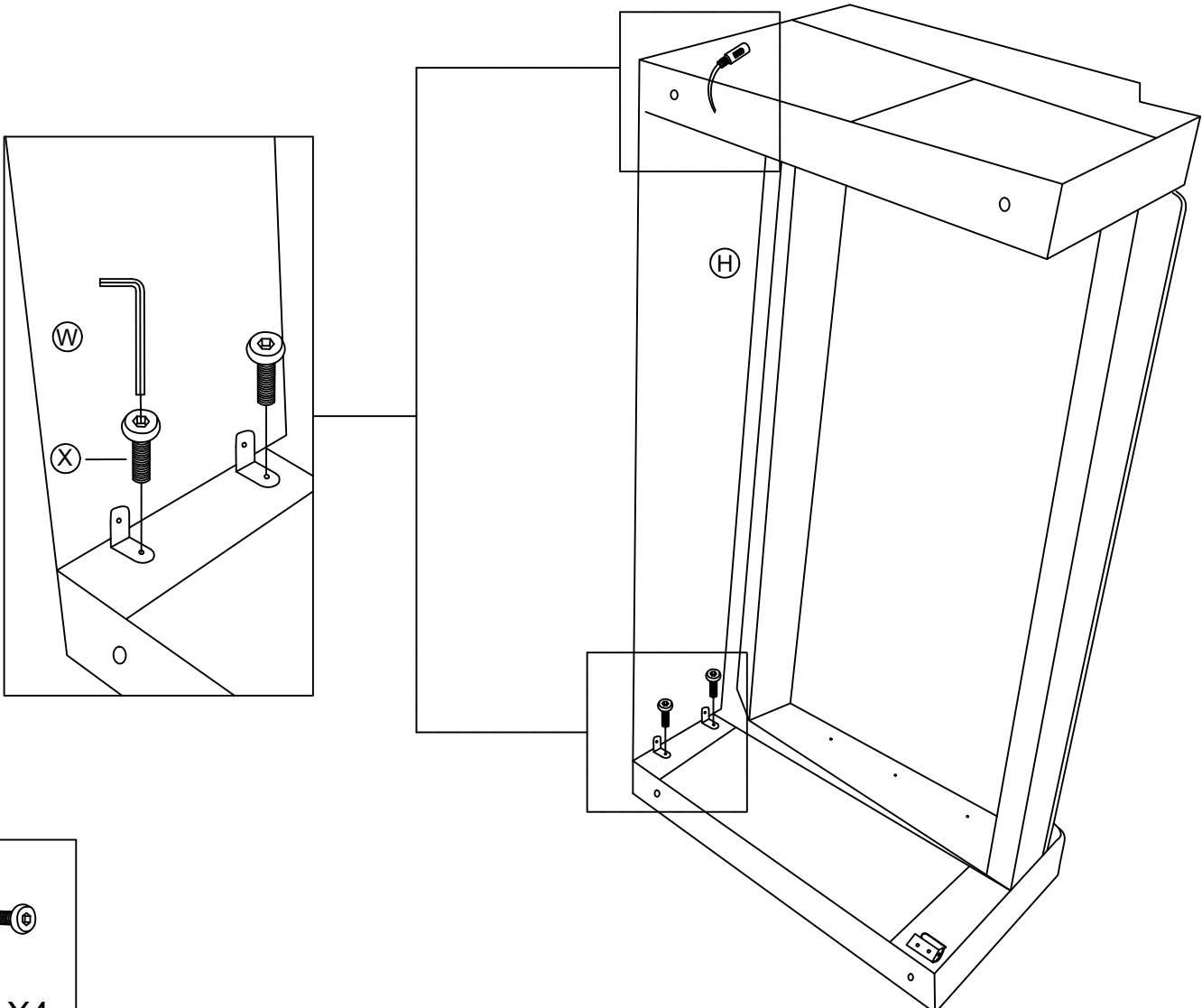
STEP 4 Attach the back panel connector (I) to the back panel (H) using short bolts(M).



M X4

I X4

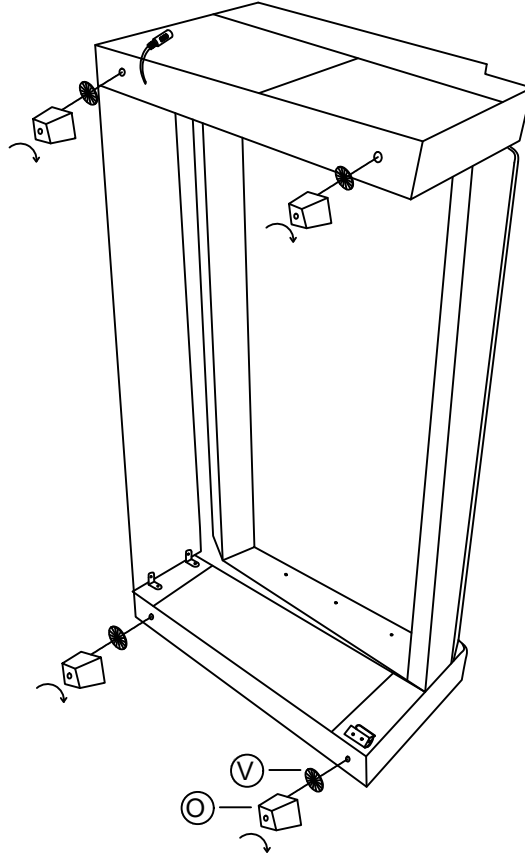
STEP 5 Secure the back panel (H) to the frame from step 2 using screws(X). Tighten all screws from step 2.



X X4

ASSEMBLY STEPS

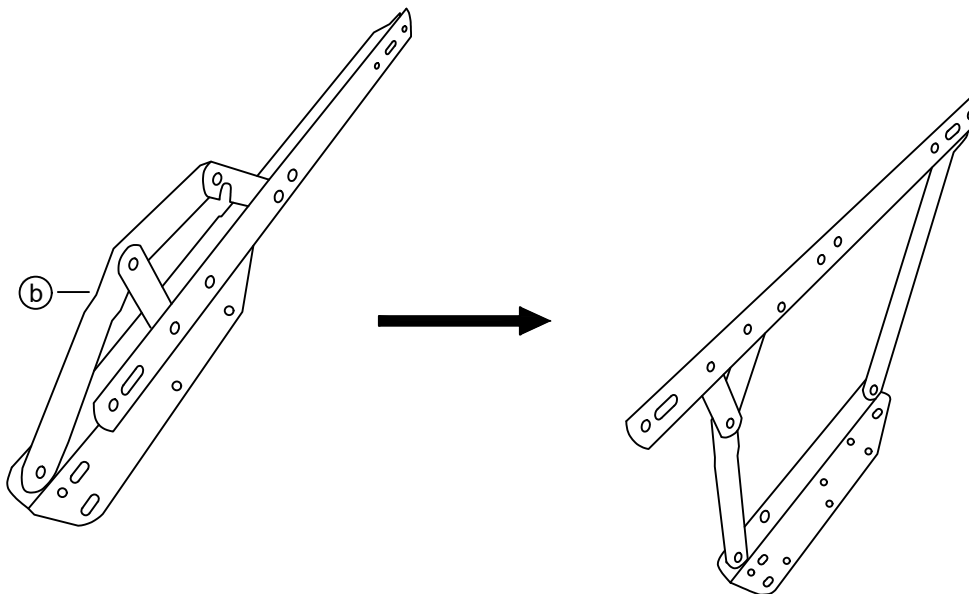
STEP 6 Screw in plastic legs O and plastic washers V clockwise until secure.



V X4

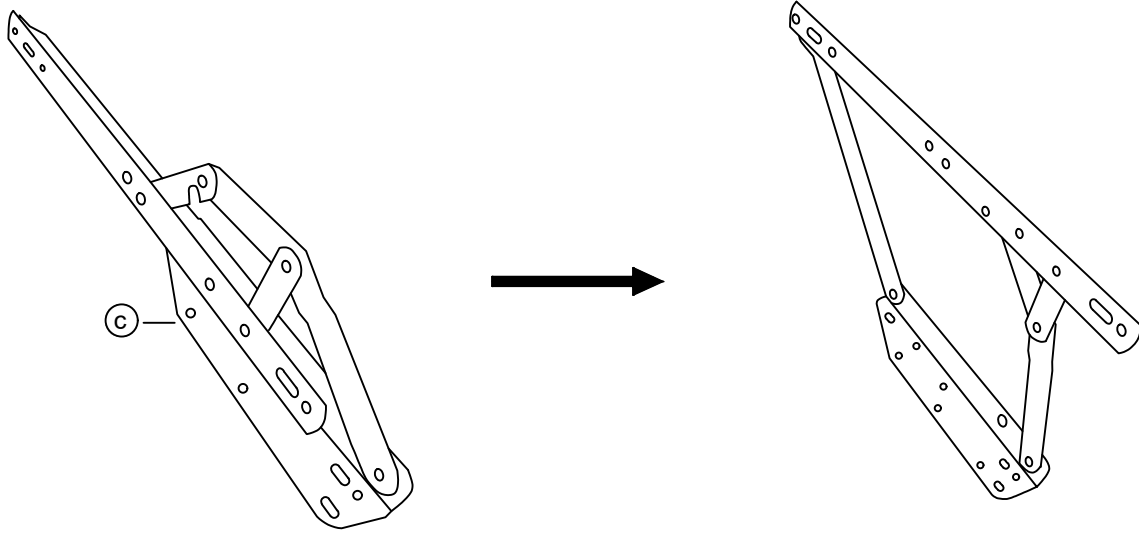
O X4

STEP 7 Unfold the right sofa connector (b) as shown below.

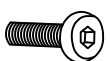
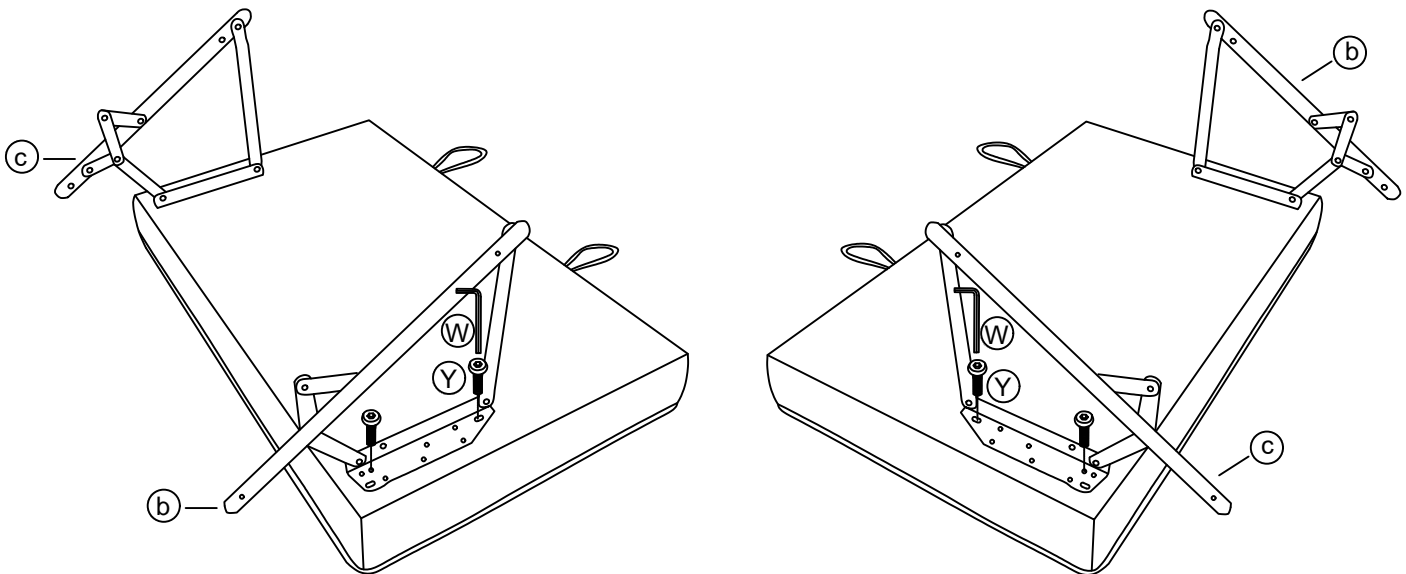


ASSEMBLY STEPS

STEP 8 Unfold the left sofa connector (c) as shown below.



STEP 9 Attach the left and right sofa connectors (b) and (c) to the footrest (E) using the middle screws (Y).

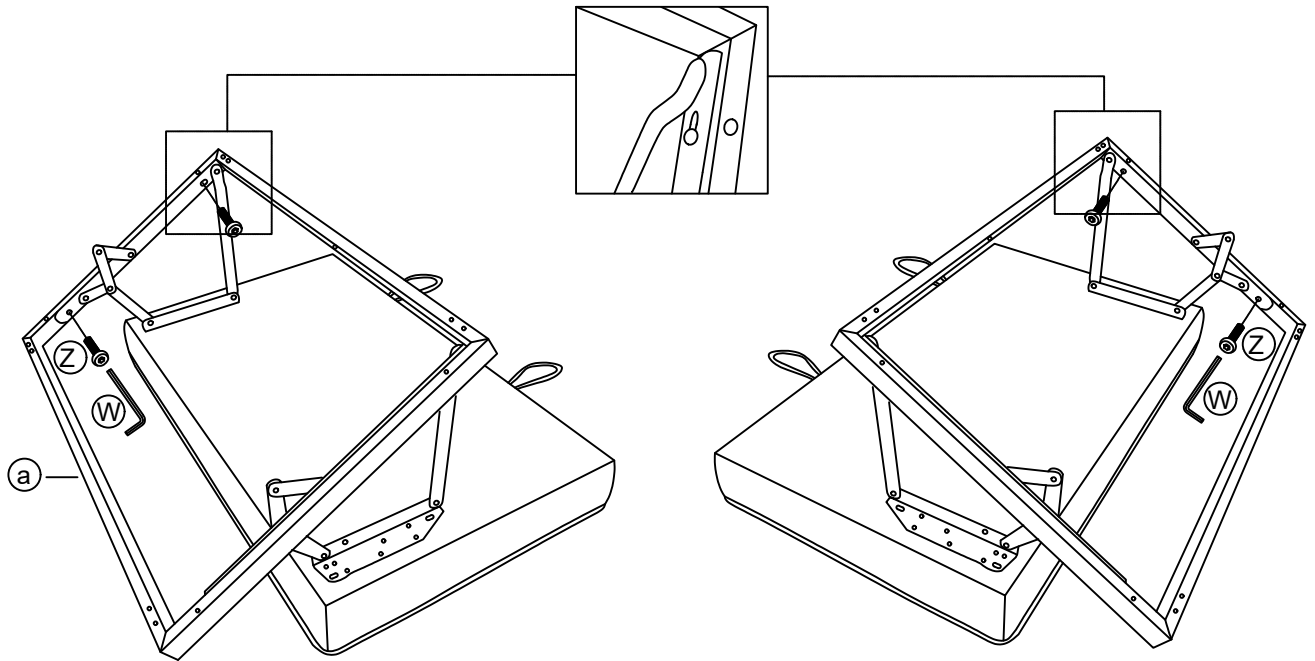


Y X4

ASSEMBLY STEPS

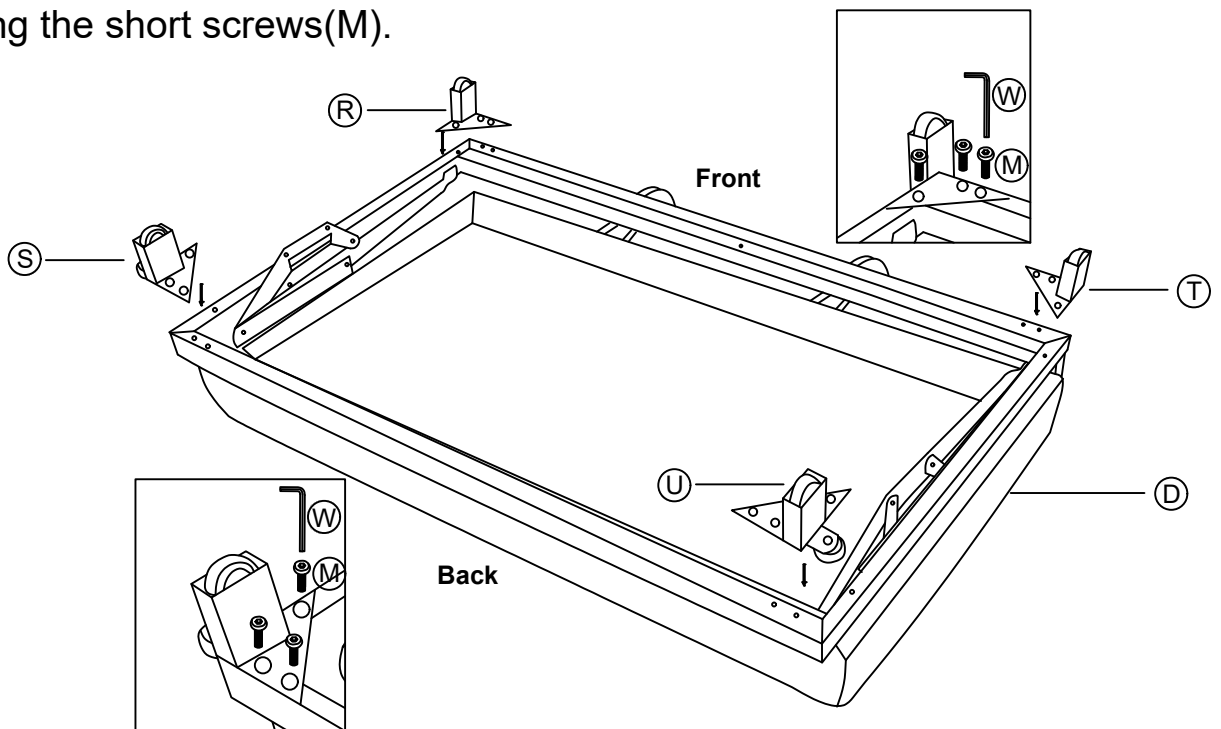
STEP 10 Attach the footrest frame (a) to the sofa connectors (b) and (c) using screws (Z).

These two screws (Z) need to be locked in the leftmost position of the L-shaped holes, as shown in the figure



Z X4

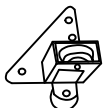
STEP 11 Attach the left and right wheels (R, S, T, and U) to the footrest frame (a) using the short screws (M).



M X12



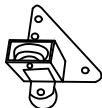
R X1



S X1



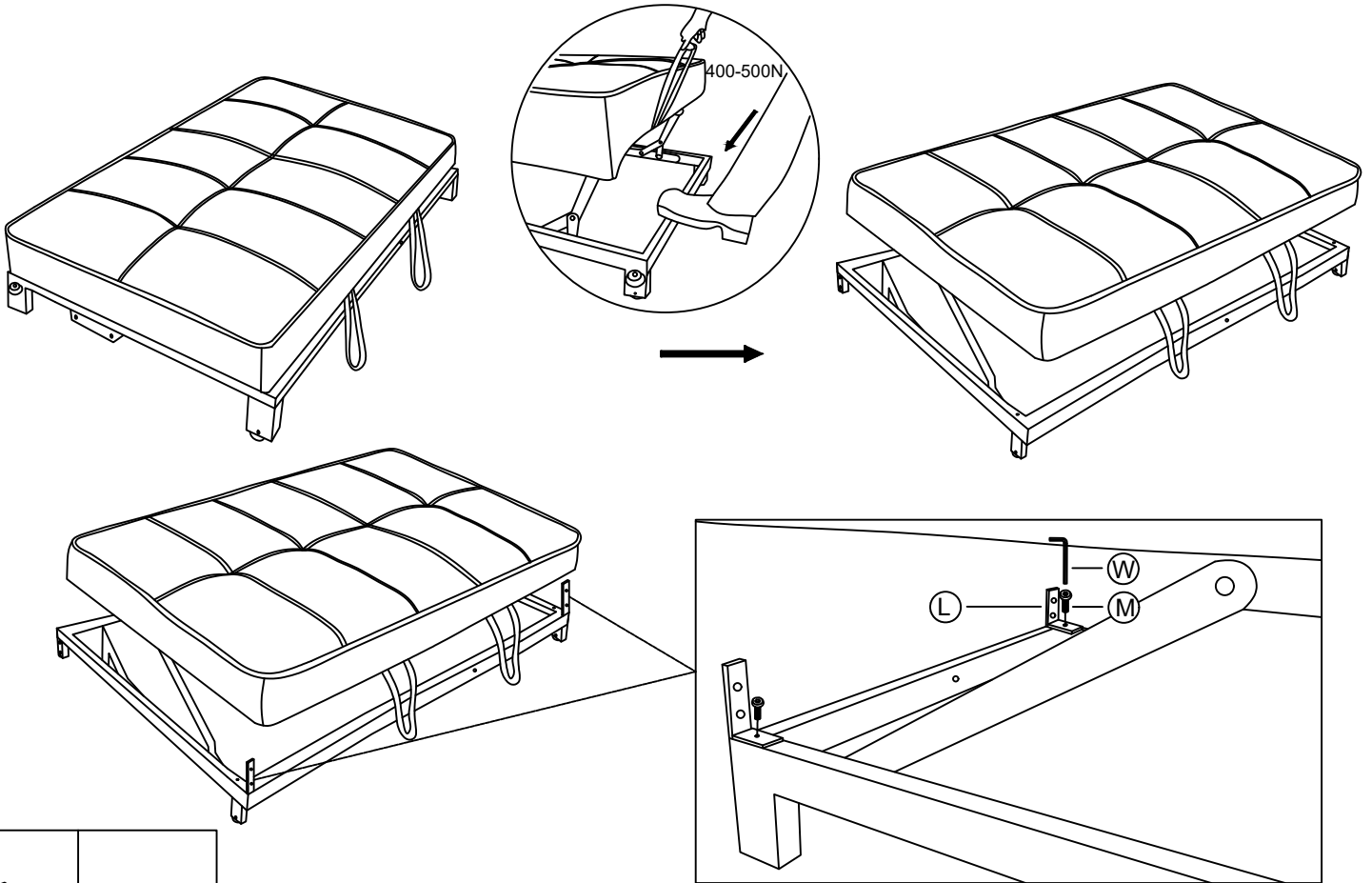
T X1



U X1

ASSEMBLY STEPS

STEP 12 Attach the front panel connector (L) to the footrest frame (a) using the short screws(M).

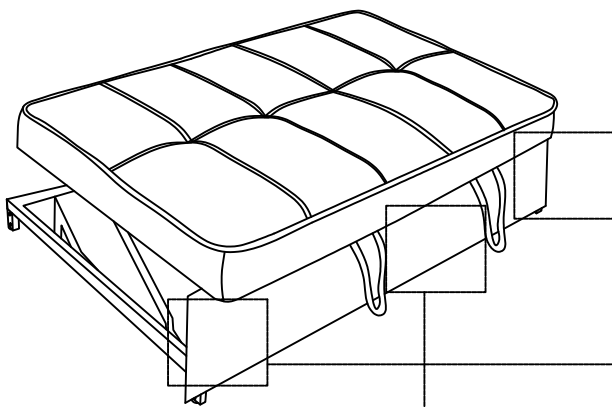


L X2



M X2

STEP 13 Attach the front panel (G) to the front panel connector (L) using the short screws(M) and the middle screws(Y).



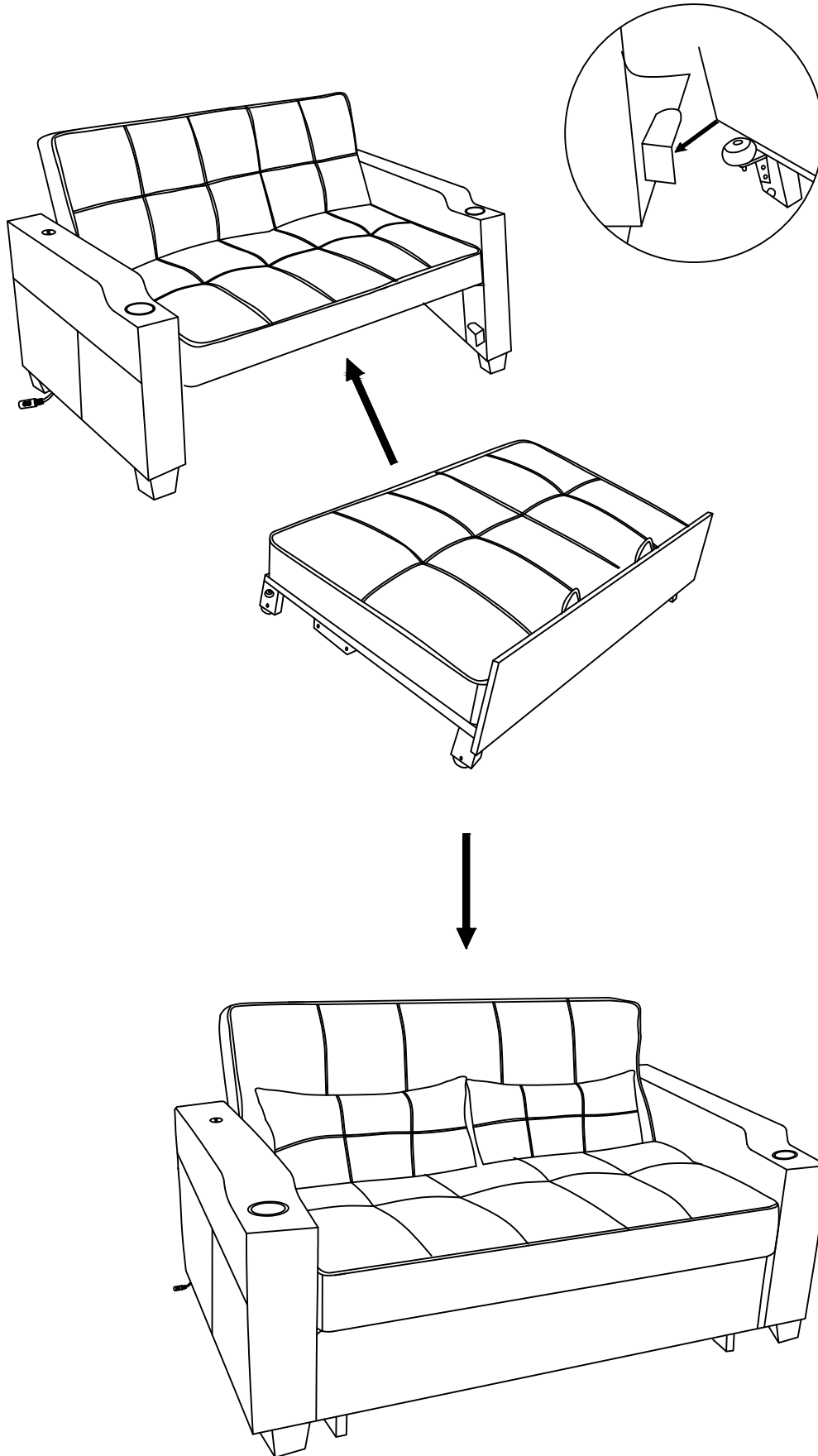
M X4



Y X1

ASSEMBLY STEPS

STEP 14 Slightly lift up the sofa and slide the footrest into position.



HOW TO USE THE SLEEPER CHAIR

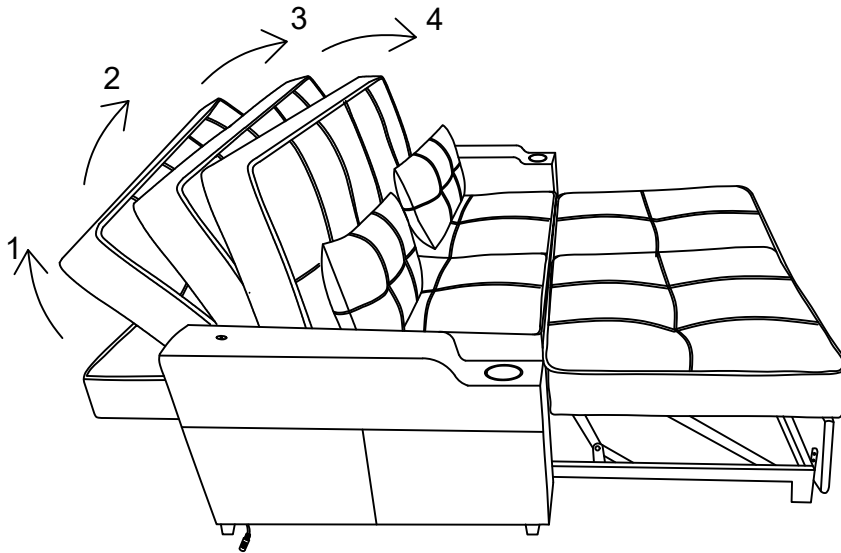
Adjust the backrest and find the mode suits you!

1 - bed mode

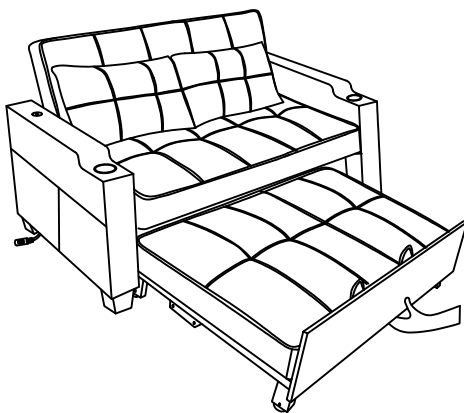
2 - recliner mode

3 - chair mode

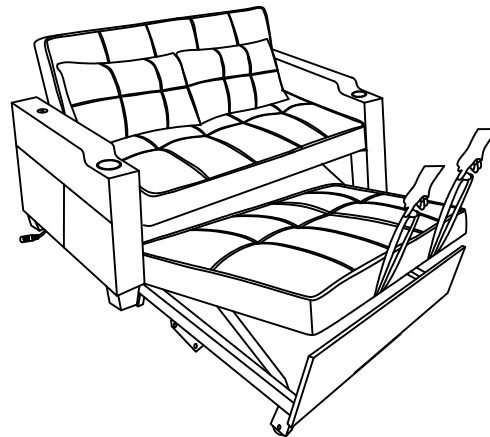
4 - push the backrest and release the backrest adjustment



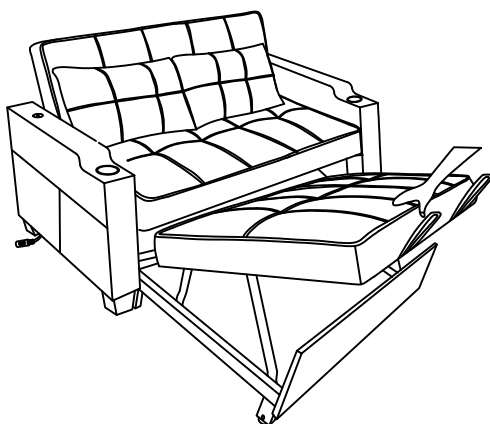
HOW TO USE THE SLEEPER CHAIR



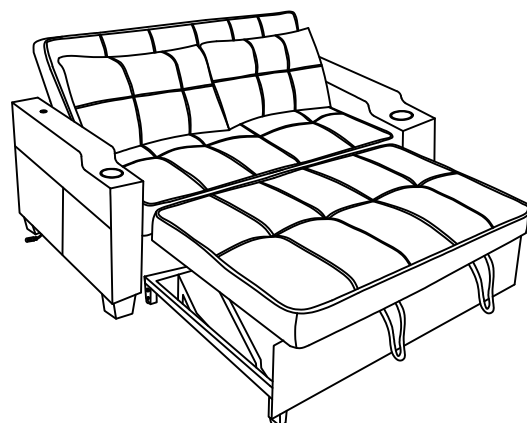
STEP 1



STEP 2



STEP 3



STEP 4