

## NOTICE

\* Please make sure that you have all parts indicated and they are in good condition before you begin assembly of this item.

Refer to part list and hardware list below for guidance.

\* This item should be assembled on a soft surface to prevent scratching the finish during assembly.

\* This item may require periodic tightening.

## PREPARATION

\* Before beginning assembly of product, make sure all parts are present. Compare parts with part contents list and hardware contents list.

\* If any part is missing or damaged, do not attempt to assemble the product.

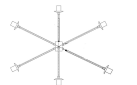



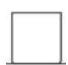

\* Estimated Assembly Time: 10 minutes.

\* If you are having difficulty, our friendly Customer Care team is always here to help.

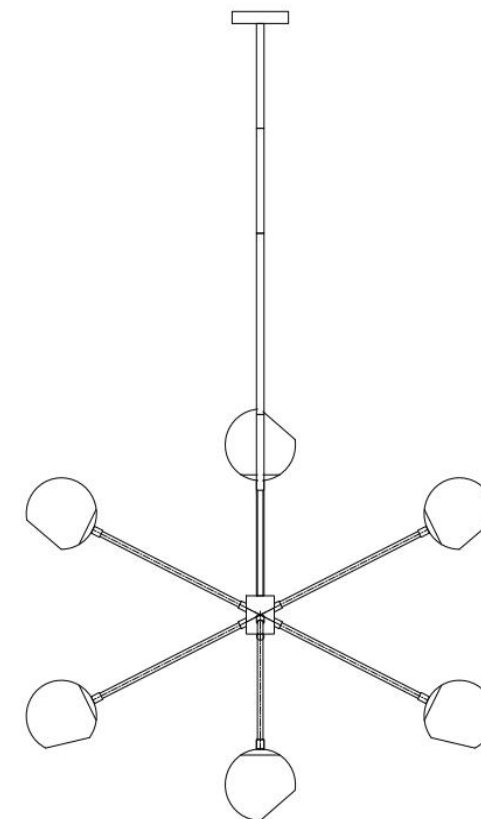
## CARE AND MAINTENANCE

Unplug lamps before using any cleaning solutions. Dust shades with a feather duster or with an appropriate vacuum\_brush attachment. Wipe with a soft, dry cloth and clean lamp bases with the methods appropriate to the material. Avoid the use of chemicals and household cleaners as they may damage the finish.

### Part List and Hardware List

PEICE	DESCRIPTION	PICTURE	QUANTITY	PEICE	DESCRIPTION	PICTURE	QUANTITY
A	Lamp Body		1X	HW3	Screw φ4*25MM		2X
B	A Tubes 380mm		2X	HW4	M4 Nut φ 11X9mm		2X
	B Tubes 220mm		2X	I	Arm Socket		6X
C	Canopy		1X	J	Socket Ring		6X
D	Mounting Plate		1X	k	Light bulb		6X
HW1	Screw φ4*25mm		2X	L	Glass shade		6X
HW2	Terminal Cap		3X				

**Product Dimensions:**  
**39"LX39"WX57"H**

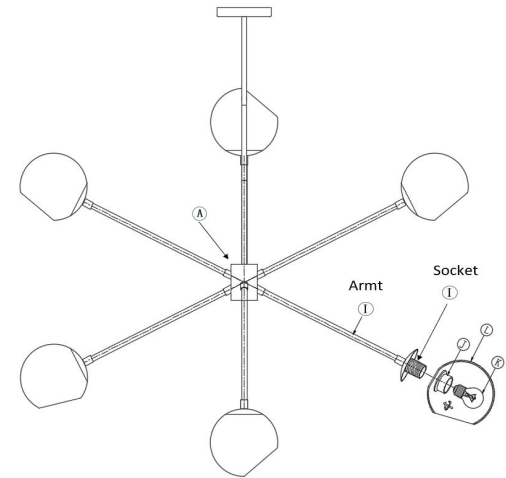
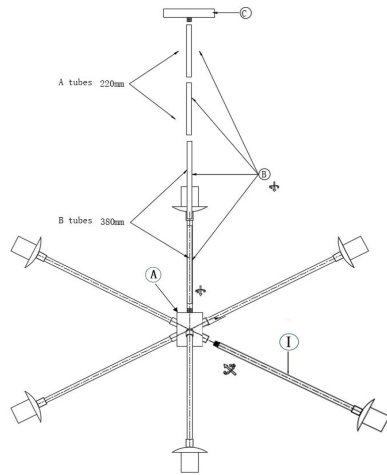


## PREPARATION

\* Before beginning assembly of product, make sure all parts are present. Compare parts with part contents list and hardware contents list.

\* If any part is missing or damaged, do not attempt to assemble the product.

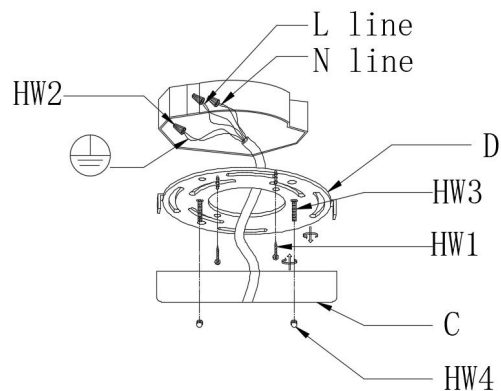
\* Estimated Assembly Time: 10 minutes.



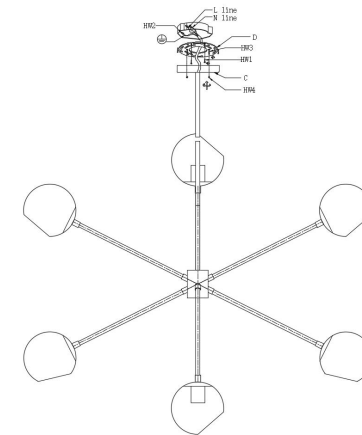
**STEP1:**Unpack all parts from cartons careful.Install the tube(B) one by one into the lamp body(A), and lock them clockwise.

Insert arm tube (I)one by one into the lamp body(A), andlock them clockwise

**STEP2:** Install all glass shades(L) into the socket(I) and thread the socket ring(J)on socket(I).Put the light bulb(K) into the socket.



**STEP3:**To connectfixture wires: Connectthe live wire (L) from fitting to the live wire from main powersupply. Connectthe neutral wire (N) from fitting to the neutral wire frommain powersupply.make the Terminal cap(HW2) connectthe ground wire. Please pay close attention to avoiding the wires exposingoutside when wiring connections.



**STEP4:**Install the mounting plate(D) into the canopy(C), lock them with screw(HW3). Then install the canopy(C) to the junction box with screw(HW1), then fix them with M4 nuts(HW4). Consult a qualified electrician to ensure correct branch circuit conductor.