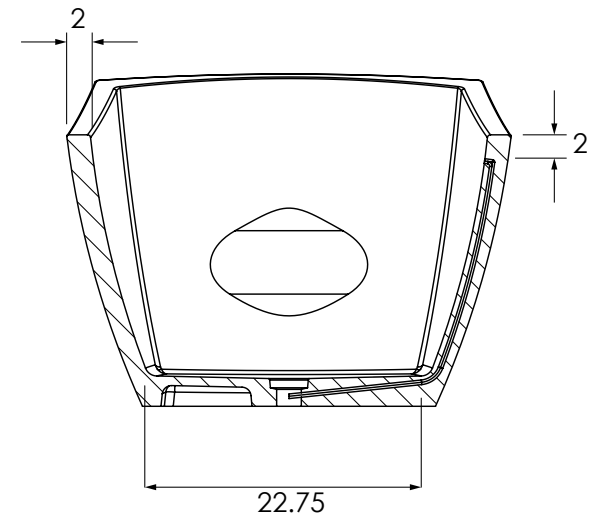
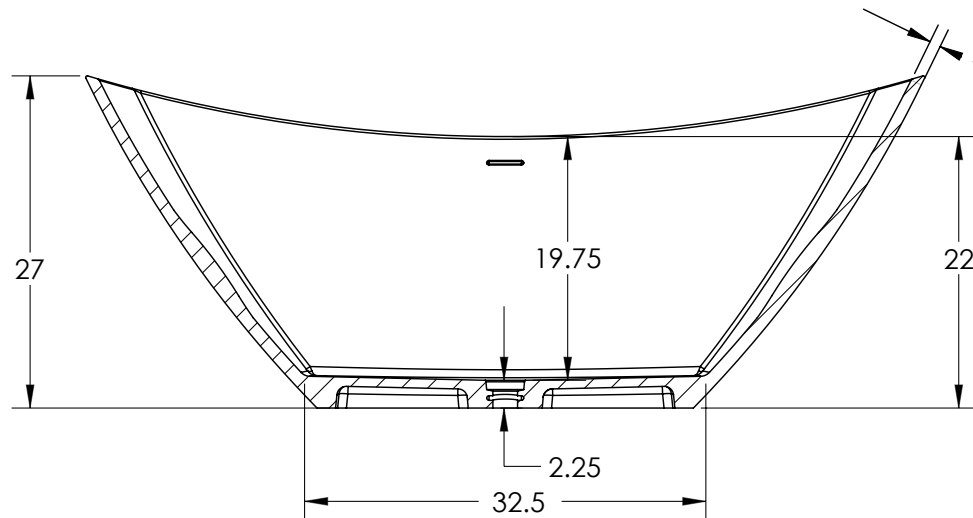


Thermal Air inlet location and quantity are not precise and are for reference only



HYDRO SYSTEMS, INC.

29132 Avenue Paine, Valencia, CA 91355
661.775.0686, fax 661.775.0668, www.hydro-system.com

Note: The information contained on this drawing is the sole property of Hydro Systems, Inc. Any reproduction in part or as a whole without the written permission of Hydro Systems, Inc. is prohibited.

Title: DENALI

Date: May 5th, 2025

Rev: -

Scale: None

Date:

Material: Solid Surface