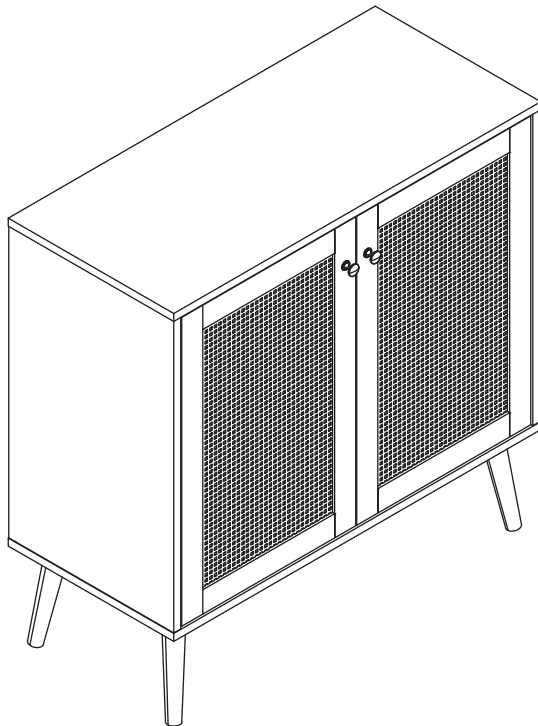


INSTRUCTION MANUAL



Rattan Storage Cabinet With Doors

INTRODUCTION

Thanks for purchasing and trusting with your home decorating plans.

This product is a piece of furniture designed.

We are committed to R&D and innovation and creating the most exquisite and diverse outdoor series.

After unpacking and before every use, check whether the item shows any damage. In addition, check that you have all parts and hardware before assembly. If you do not have all the parts lists, have your dealer contact us and we will send them to you immediately.

This item of furniture is intended for indoor and outdoor use. Please take time to read and follow the instructions below. Then, use this item as described in this operating manual. We accept no liability for damage caused by improper use.

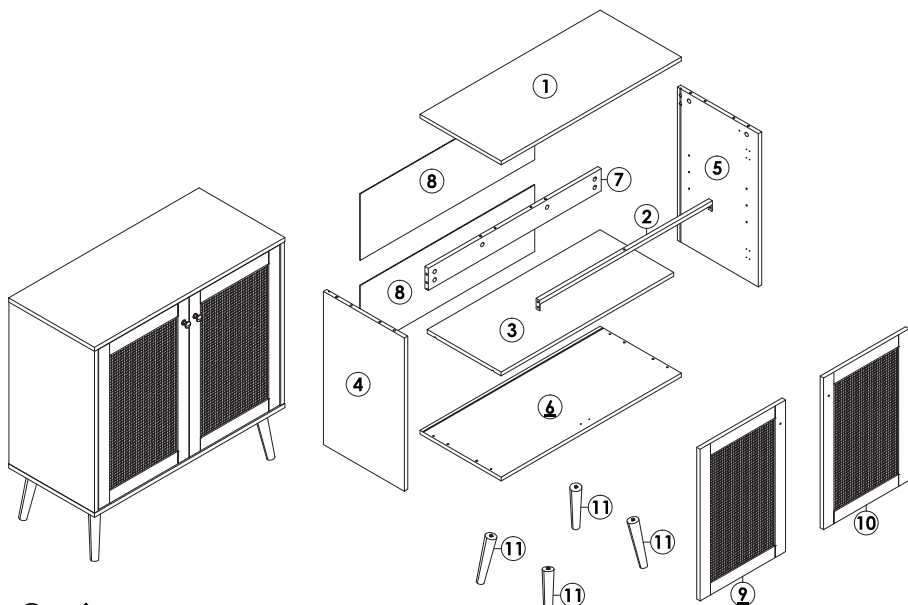
WARNING

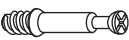







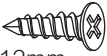

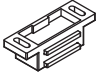


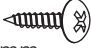


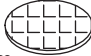






Serious or fatal crushing injuries can occur from furniture tip over. In order to prevent overturning, this product must be used with the wall attachment device provided. To help prevent tip over:

- Install wall attachment device provided.
- Place heaviest items on the bottom of this product.
- Do not set heavy objects on top of this product.
- Never allow children to climb or hang on doors or shelves.
- Use of wall attachment device will reduce, but not eliminate the risk of tipping.

Important

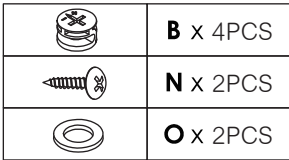
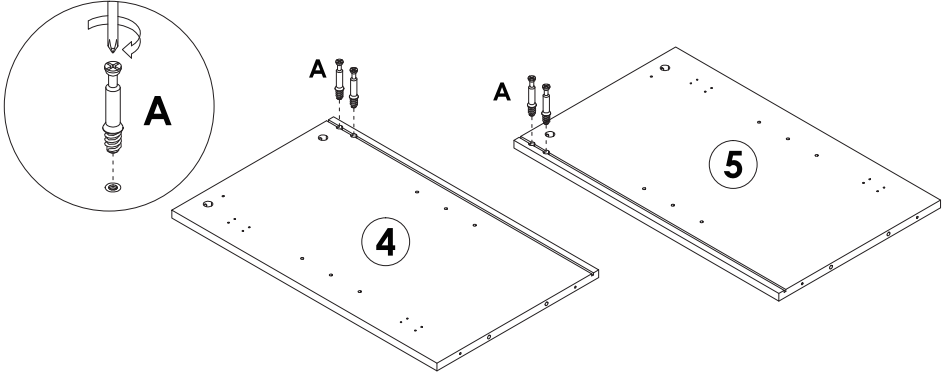
- Installation should be carried out exactly according these instructions – otherwise a safety risk can occur if incorrectly installed.
- Regularly check that anchors are securely maintained.
- Stability of tall items may be affected by thick pile carpet or uneven floors.
- A wall attachment device is provided with your product; however, you will need to source suitable fixings for your wall type.
- Check for any electrical wires or plumbing inside the wall before drilling any holes (if you are unsure please seek professional advice from a qualified tradesperson).
- Your local hardware store will have the necessary drills and fixings and can offer advice if needed. If in doubt, engage the services of a qualified tradesperson to install and anchor the product.



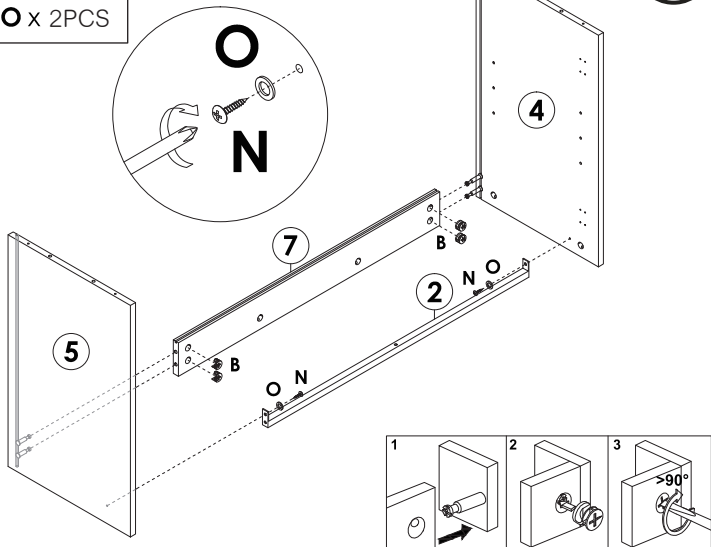
A 10+1PCS  M6*35mm	B 10+1PCS  Φ15*9mm	C 6PCS  M4*40mm	D 10+1PCS  Φ6*30mm
E 4PCS  M3*12mm	F 2PCS  M4*18	G 2PCS 	H 1PC  M4*25mm
I 24+2PCS  M3.5*12mm	J 4PCS  Φ35mm	K 2PCS 	L 4PCS 
M 4PCS  Φ5*20mm	N 18+2PCS  M4*12mm	O 2PCS  Φ10mm	P 4PCS 
Q 4PCS  Φ20mm	R 1PC  768mm	S 10+1PCS  M3*14mm	
T 4PCS 	U 4PCS 	V 2PCS 	W 2PCS  M6*30mm

ASSEMBLY INSTRUCTIONS



1

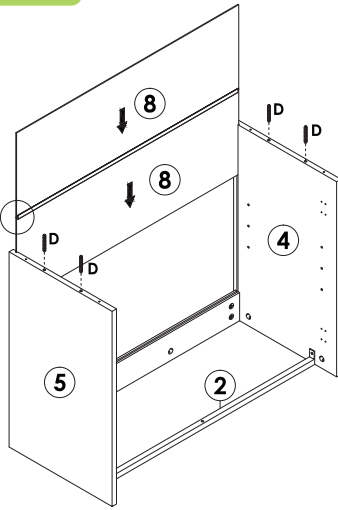
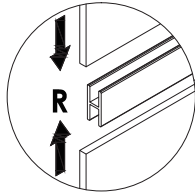


2





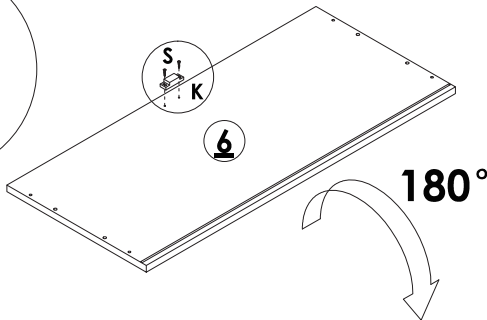
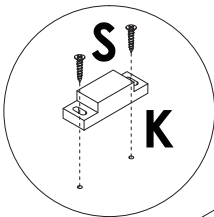
ASSEMBLY INSTRUCTIONS

	D x 4PCS
	R x 1PC



3

	K x 1PC
	S x 2PCS



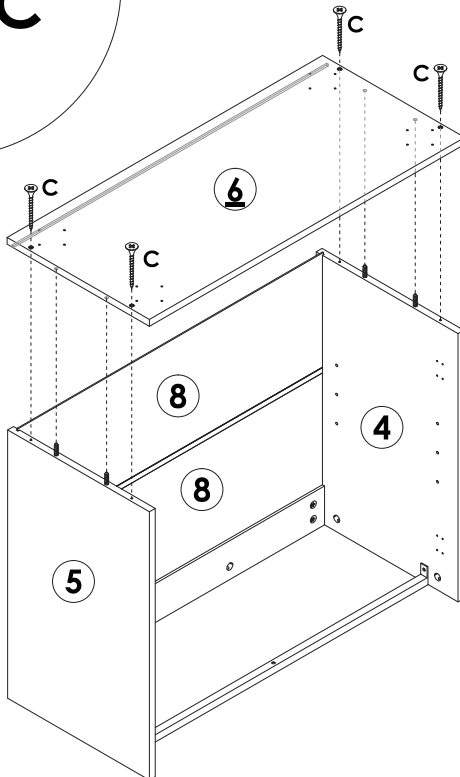
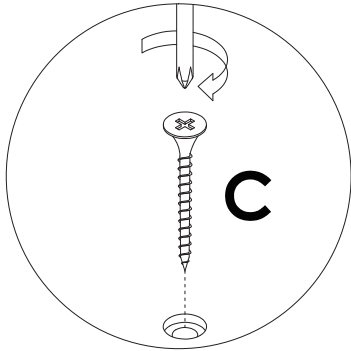
4

ASSEMBLY INSTRUCTIONS

5




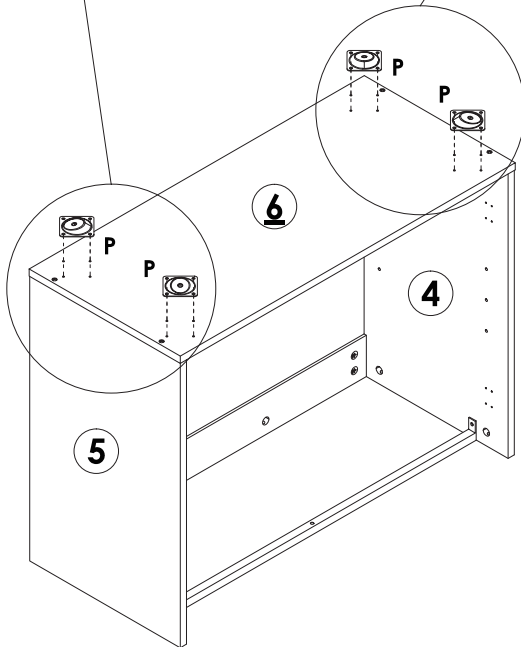
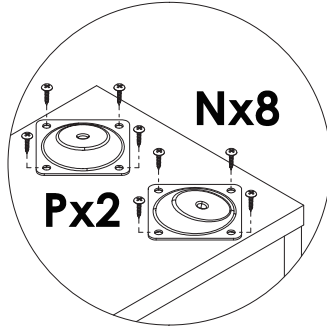
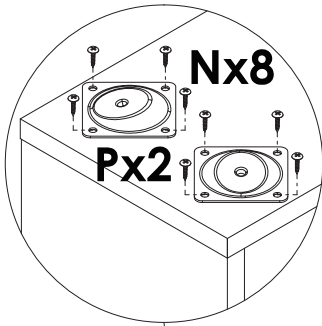
C x 4PCS



ASSEMBLY INSTRUCTIONS

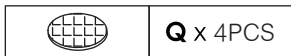
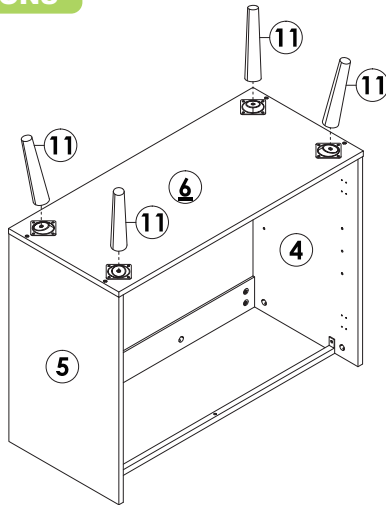
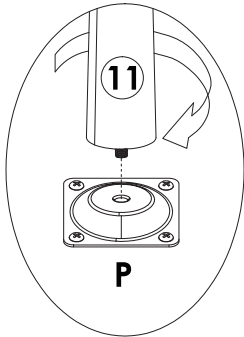
6

	N x 16PCS
	P x 4PCS

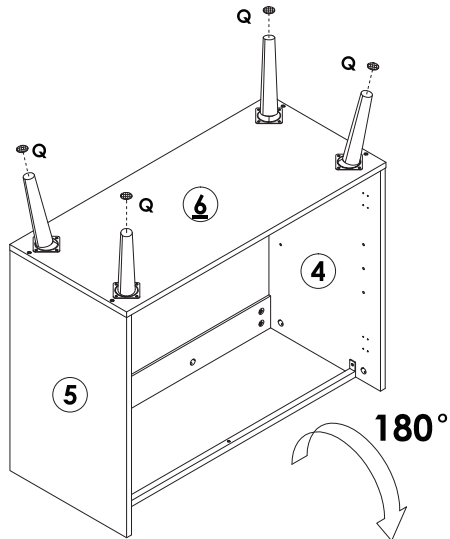
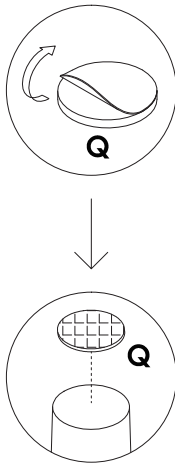


ASSEMBLY INSTRUCTIONS

7

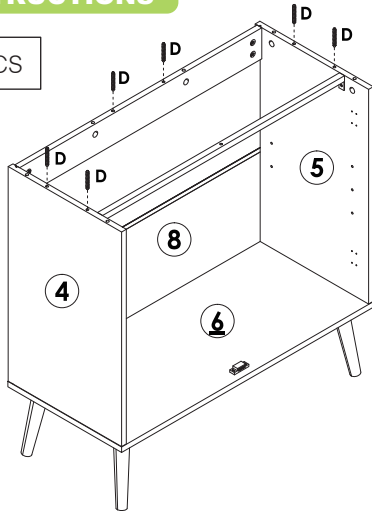


8

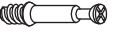




ASSEMBLY INSTRUCTIONS

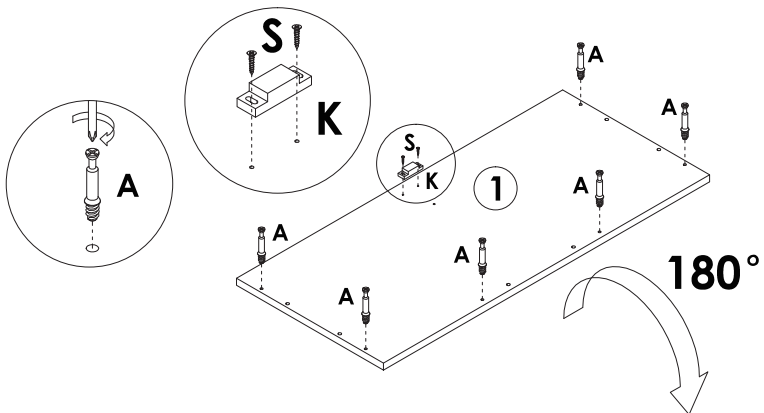
	D x 6PCS
---	-----------------



9


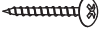
	A x 6PCS
	K x 1PC
	S x 2PCS

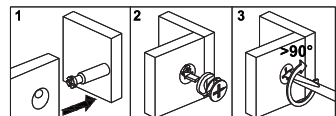
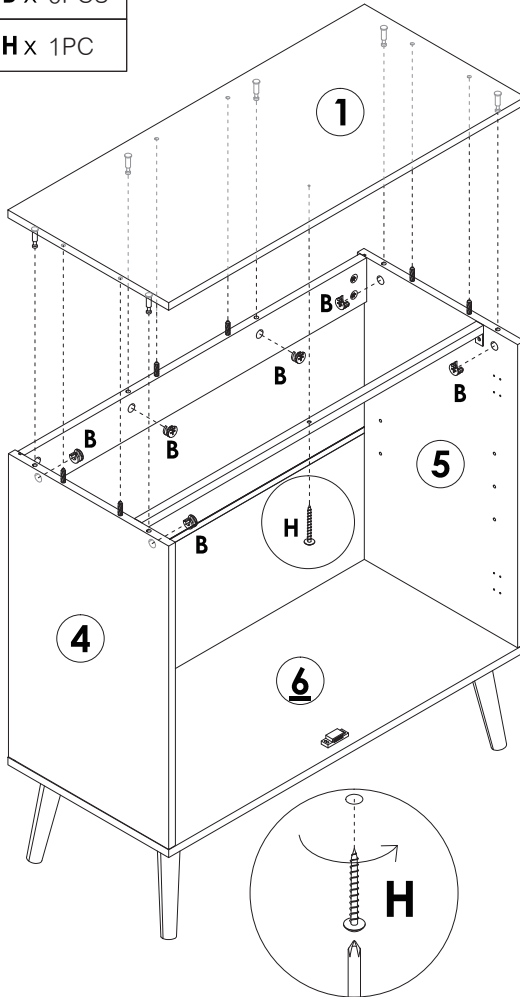
10



ASSEMBLY INSTRUCTIONS

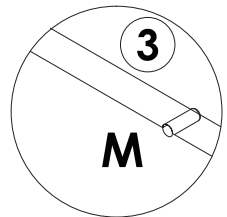
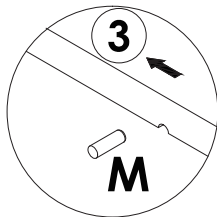
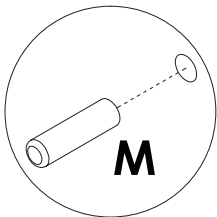
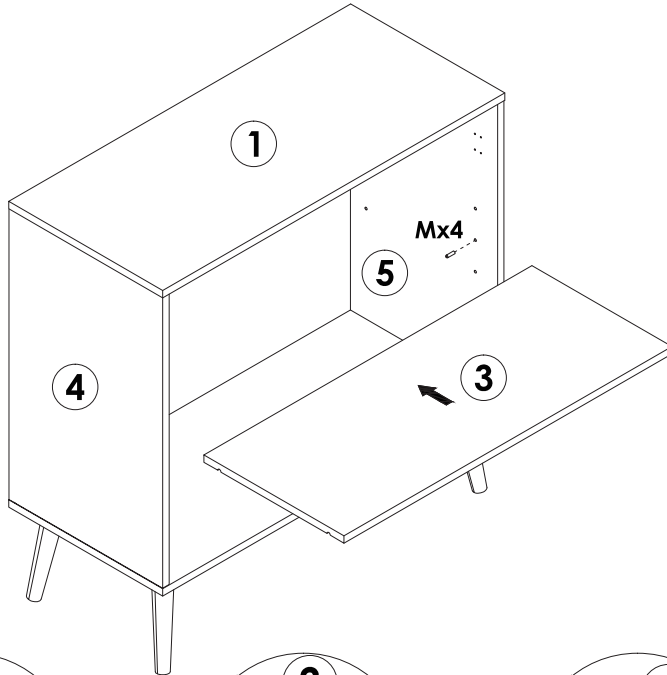
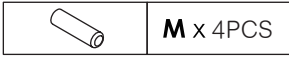
11

	B x 6PCS
	H x 1PC




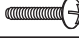




ASSEMBLY INSTRUCTIONS

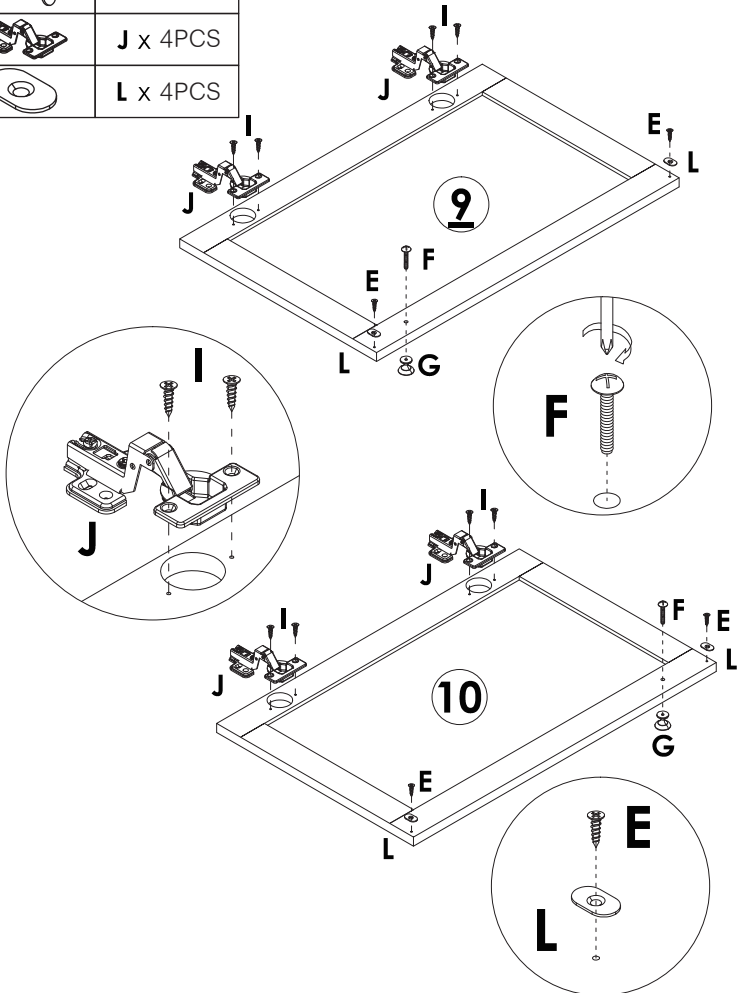
12



ASSEMBLY INSTRUCTIONS

13

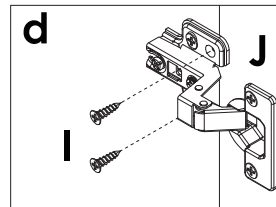
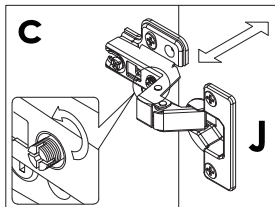
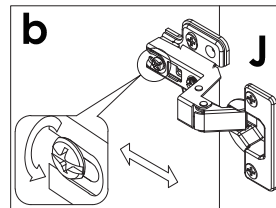
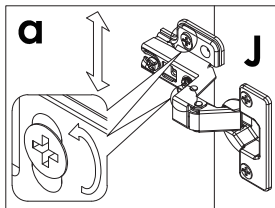
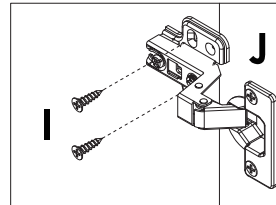
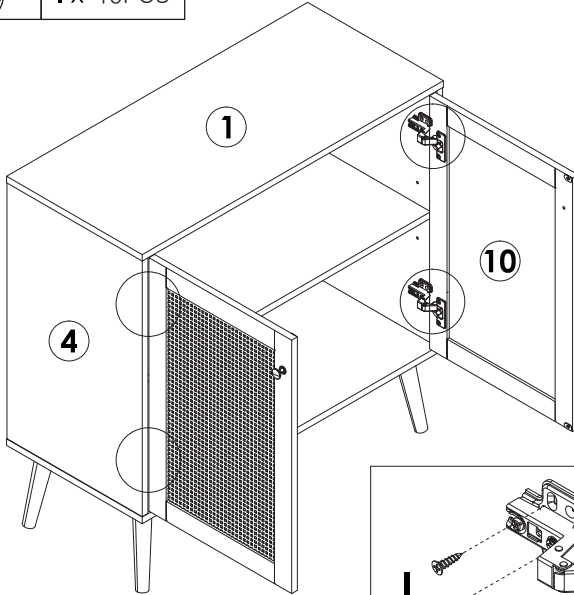
	E x 4PCS
	F x 2PCS
	G x 2PCS
	I x 8PCS
	J x 4PCS
	L x 4PCS



ASSEMBLY INSTRUCTIONS




14

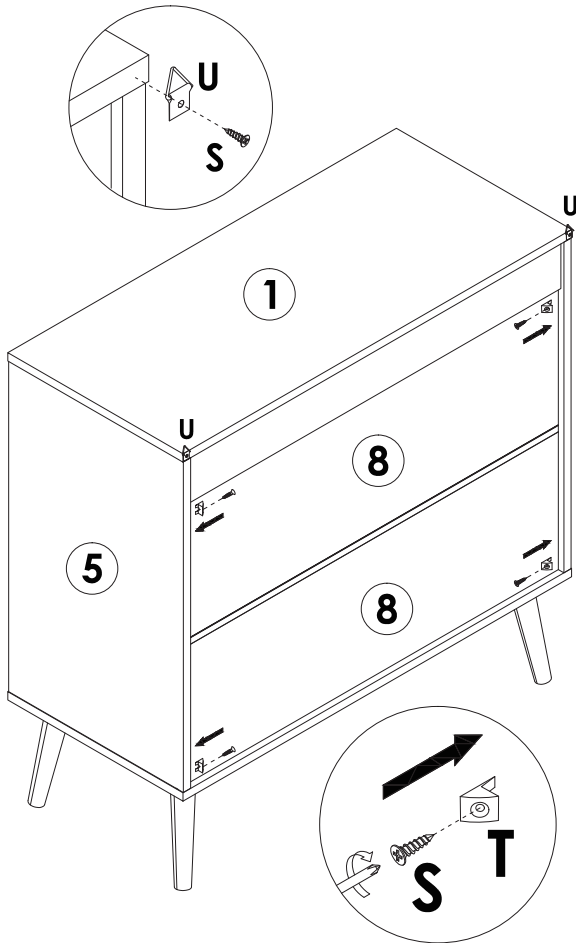
 I x 16PCS



ASSEMBLY INSTRUCTIONS

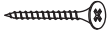


15

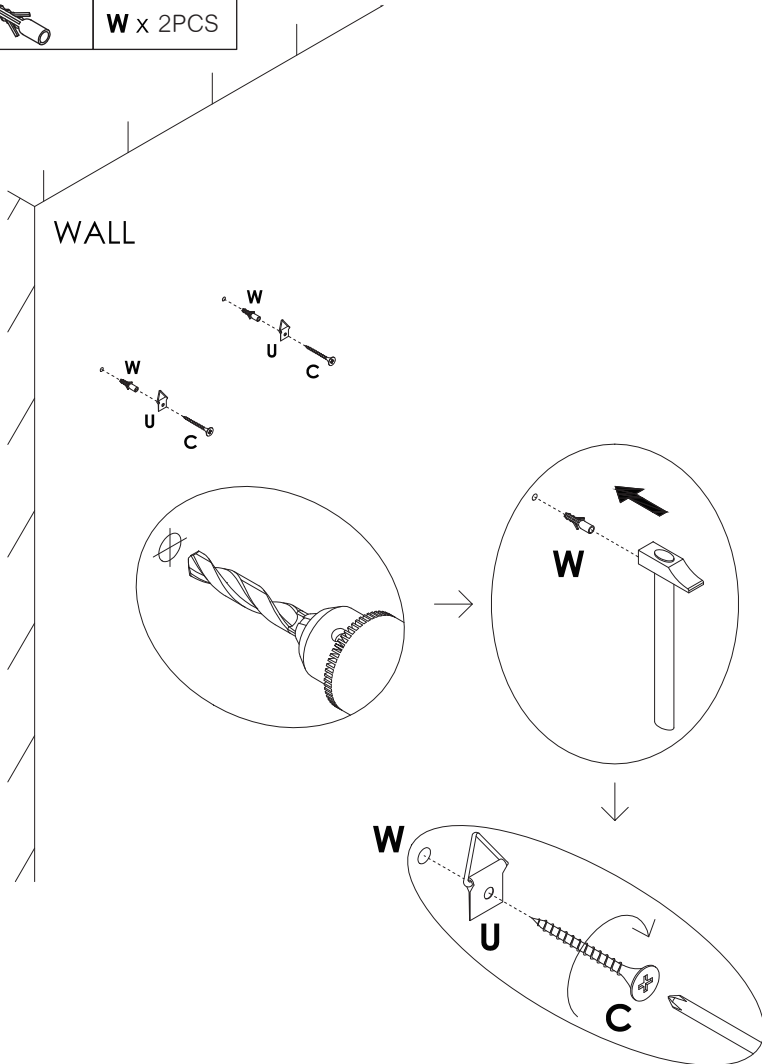
	S x 6PCS
	T x 4PCS
	U x 2PCS



ASSEMBLY INSTRUCTIONS

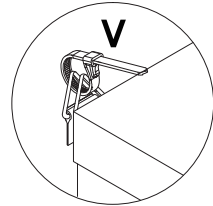
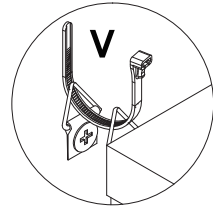
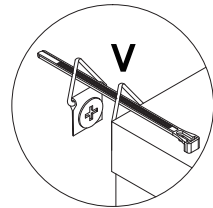
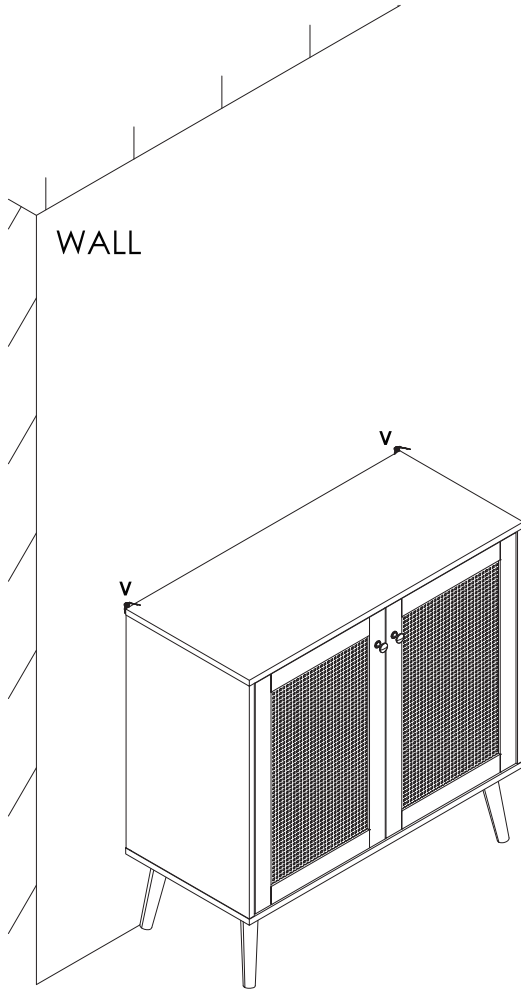
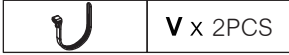
16

	C x 2PCS
	U x 2PCS
	W x 2PCS



ASSEMBLY INSTRUCTIONS

17



CARE AND MAINTENANCE

Follow the instructions for the product's material to ensure it stays in the best shape as long as possible. The information below is a general guideline.

Don't hesitate to get in touch with us to learn more.

- Only rinse it thoroughly with clean water to wash away dirt and grime. Never use abrasive cleansers on the furniture since they can attack the surface and leave behind scratch marks.

- For stubborn grime and stains, use a soft sponge and mild soapy water.

Then dry it with a cloth or paper towel.

- Check the stability of the screws, nuts, and nut caps before each use.

Then, tighten them up a