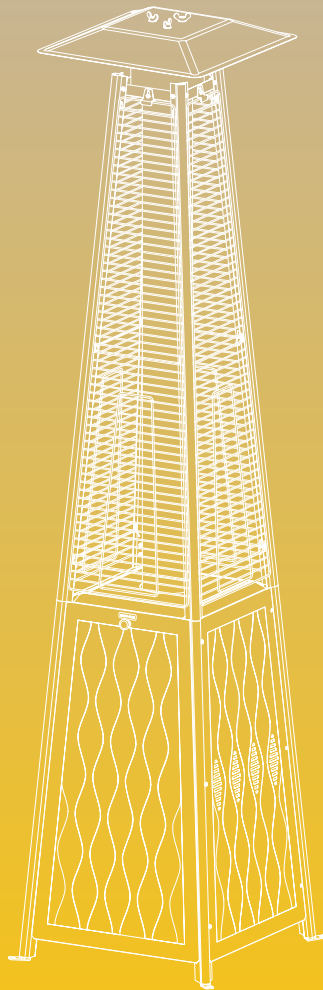
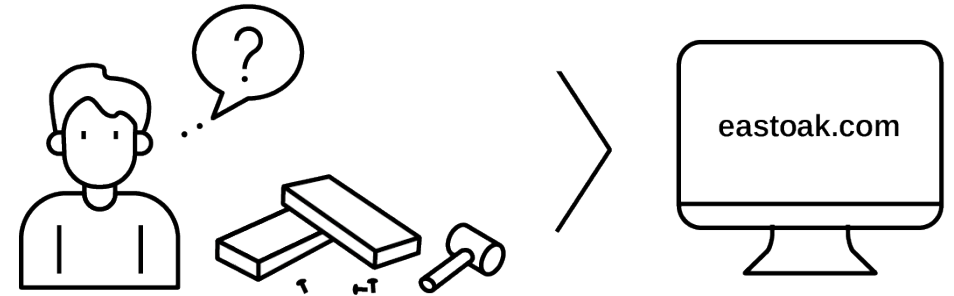


Pyramid Patio Heater 48000 BTU Owner's Manual

MODEL:
TS48SR2
TS48BN1
TS48GN1



EAST OAK



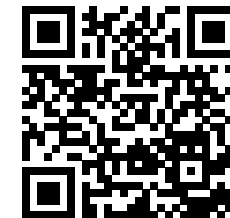
**Questions? Comments?
Reach out to us for expert support!**

✉ support@eastoak.com
🌐 eastoak.com
☎ 1-833-EAST-OAK (USA)
(1-833-327-8625) Mon-Fri 8am-8pm EST

Follow **eastoakliving** on



Claim your 3-year warranty
at eastoak.com/warranty



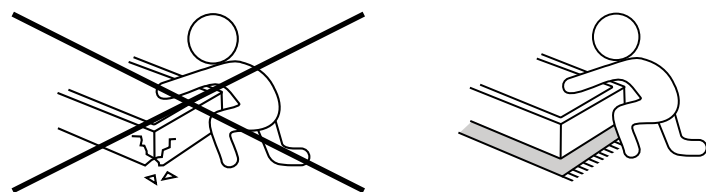
**Please scan the QR code
to view the installation video**



IMPORTANT INFORMATION

Please check all parts and components to ensure no damage or missing items before starting the product's construction. If you have any problems or discover any missing parts, please contact customer service at support@eastoak.com.

- Some parts may contain sharp edges. Wear protective gloves if necessary during assembly.
- When using power tools, please adjust the gear to the minimum. Otherwise, it will cause damage to the parts.
- Assemble on a soft surface such as a drop sheet or rug to avoid scratching.



SAFETY INFORMATION

- Please read and understand this entire manual before attempting to assemble, operate, or install the product.
- This manual contains important information about the assembly, operation, and maintenance of this patio heater. General safety information is presented in these first few pages and is also located throughout the manual. Keep this manual for future reference and to educate new users of this product. This manual should be read in conjunction with the labeling on the product. Safety precautions are essential when any mechanical or propane fueled equipment is involved. These precautions are necessary when using, storing, and servicing. Using this equipment with the respect and caution demanded will reduce the possibilities of personal injury or property damage.
- The following symbols shown below are used extensively throughout this manual. Always heed these precautions, as they are essential when using any mechanical or fueled equipment.
- Installation of this appliance at altitudes above 2000 ft (610 m) shall be in accordance with local codes, or in the absence of local codes, ANSI Z223.1/NFPA 54 or CSA B149.1.

⚠ DANGER

DANGER indicates an imminently hazardous situation which, if not avoided, will result in death or serious injury.

⚠ DANGER

- Failure to comply with the precautions and instructions provided with this heater can result in death, serious bodily injury and property loss or damage from hazards of fire, explosion, burn, asphyxiation, and/or carbon monoxide poisoning. Only persons who can understand and follow the instructions should use or service this heater.

⚠ DANGER FOR YOUR SAFETY

If you smell gas:

- Shut off gas to the appliance.
- Extinguish any open flame.
- If odor continues, keep away from the appliance and immediately call your gas supplier or fire department.

⚠ DANGER EXPLOSION - FIRE HAZARD

- Keep solid combustibles, such as building materials, paper, or cardboard, a safe distance away from the heater as recommended by the instructions.
- Provide adequate clearances around air openings into the combustion chamber.
- Never use the heater in spaces which do or may contain volatile or airborne combustibles, or products such as gasoline, solvents, paint thinner, dust particles, or unknown chemicals.
- During operation, this product can be a source of ignition. Keep heater area clear and free from combustible materials, gasoline, paint thinner, cleaning solvents, and other flammable vapors and liquids. Do not use heater in areas with high dust content. Minimum heater clearances from combustible materials: three (3) feet from the sides and three (3) feet from the top.



SAFETY INFORMATION

DANGER EXPLOSION - FIRE HAZARD

- Never store propane near high heat, open flames, pilot lights, direct sunlight, other ignition sources or where temperatures exceed 120 degrees F (49°C).
- Propane vapors are heavier than air and can accumulate in low places. If you smell gas, leave the area immediately.
- Never install or remove propane cylinder while heater is lighted, near flame, pilot lights, other ignition sources or while heater is hot to touch.
- This heater is red hot during use and can ignite flammables too close to the burner. Keep flammables at least 3 feet from sides and 3 feet from top. Keep gasoline and other flammable liquids and vapors well away from heater.
- Store the propane cylinder outdoors in a well ventilated space out of reach of children. Never store the propane cylinder in an enclosed area (house, garage, etc.). If heater is to be stored indoors, disconnect the propane cylinder for outdoor storage.

WARNING

- We cannot foresee every use which may be made of our heaters.
- Check with your local fire safety authority if you have questions about heater use.
- Other standards govern the use of fuel gases and heat producing products for specific uses. Your local authorities can advise you about these.
- If no local codes exist, follow National Fuel Gas Code, ANS Z223.1. In Canada, installation must conform to local codes. If no local codes exist, follow the current National standards of CANADA CAN/CGA-B 149.2.

WARNING

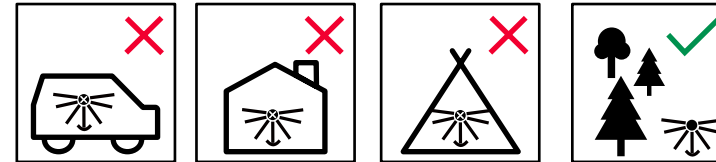
WARNING indicates an imminently hazardous situation which, if not avoided, will result in death or serious injury.

DO NOT store or use gasoline or other flammable vapors and liquids in the vicinity of this or any other appliance. A propane cylinder not connected for use shall not be stored in the vicinity of this or any other appliance.

WARNING For Outdoor Use Only

CARBON MONOXIDE HAZARD

- This appliance can produce carbon monoxide which has no odor.
- Using it in an enclosed space can kill you.
- Never use this appliance in an enclosed space such as a camper, tent, car, or home.



WARNING

- Improper installation, adjustment, alteration, service, or maintenance can cause property damage, injury, or death. Read the installation, operation, and maintenance instructions thoroughly before installing or servicing this equipment.
- Certain materials or items, when stored under the heater, will be subjected to radiant heat and could be seriously damaged.

BURN HAZARD

- Never leave heater unattended when hot or in use.
- Keep out of reach of children.

CAUTION

SERVICE SAFETY

- Keep all connections and fittings clean. Make sure propane cylinder valve outlet is clean.
- During set up, check all connections and fittings for leaks using soapy water. Never use a flame.
- Use as a heating appliance only. Never alter in any way or use with any device.

CAUTION

CAUTION indicates an imminently hazardous situation which, if not avoided, may result in minor or moderate personal injury, or property damage.

SAFETY INFORMATION

WARNING

- This product is fueled by propane gas. Propane gas is invisible, odorless, and flammable. An odorant is normally added to help detect leaks and can be described as a “rotten egg” smell. The odorant can fade over time so leaking gas is not always detectable by smell alone.
- Propane gas is heavier than air and leaking propane will sink to the lowest level possible. It can ignite by ignition sources including matches, lighters, sparks, or open flames of any kind many feet away from the original leak. Use only propane gas set up for vapor withdrawal.
- Store or use propane gas in compliance with local ordinances and codes or with ANS/NFPA 58. Turn off propane when not in use.

WARNING

- Alert children and adults to the hazards of high surface temperatures. Stay away from these surfaces to avoid burning skin or igniting clothing.
- Carefully supervise young children when in the vicinity of the heater.
- Do not hang clothing or any other flammable materials from the heater, or place on or near the heater.
- Replace any guard or protective device removed for servicing the appliance prior to placing back in service.
- Installation and repair should be done by a qualified service person. The heater should be inspected before use and annually by a qualified service person. More frequent cleaning may be required as necessary. It is imperative that the control compartment, burners, and circulating air passageway of the appliance be kept clean.

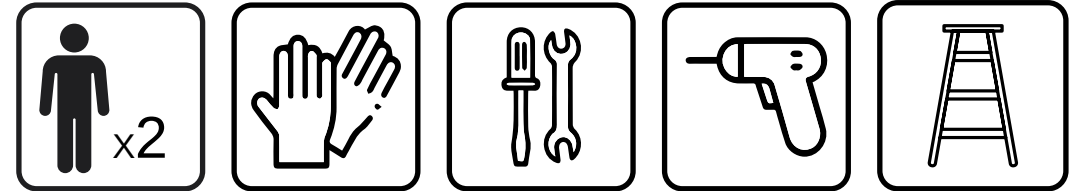
WARNING: This product contains small batteries. Swallowed small batteries can cause a **CHOKING HAZARD**. Seek immediate medical attention if batteries are swallowed or inhaled. Keep children away from the small batteries.

PREPARATION

Before beginning assembly of product, make sure all parts are present. Compare parts with package contents list and hardware contents above. If any part is missing or damaged, do not attempt to assemble the product. Contact customer service for replacement parts.

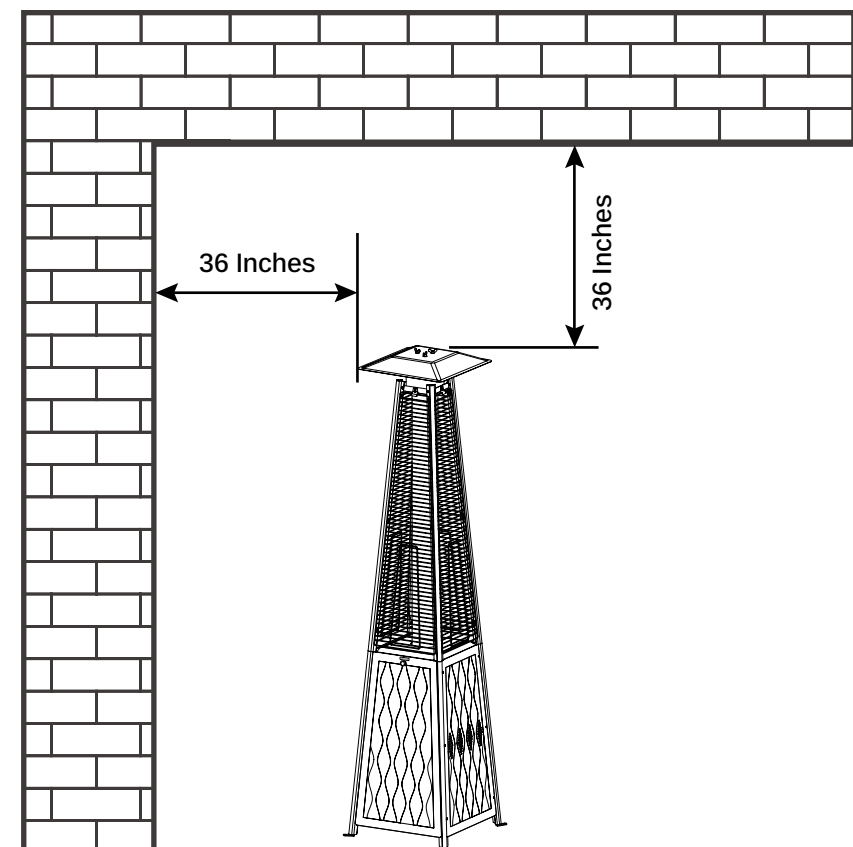
ASSEMBLY SUGGESTIONS

- Estimated Assembly Time: 60 minutes
- Two adults required for a safe assembly
- Cross-head screwdriver
- Extra wrench
- Ladder

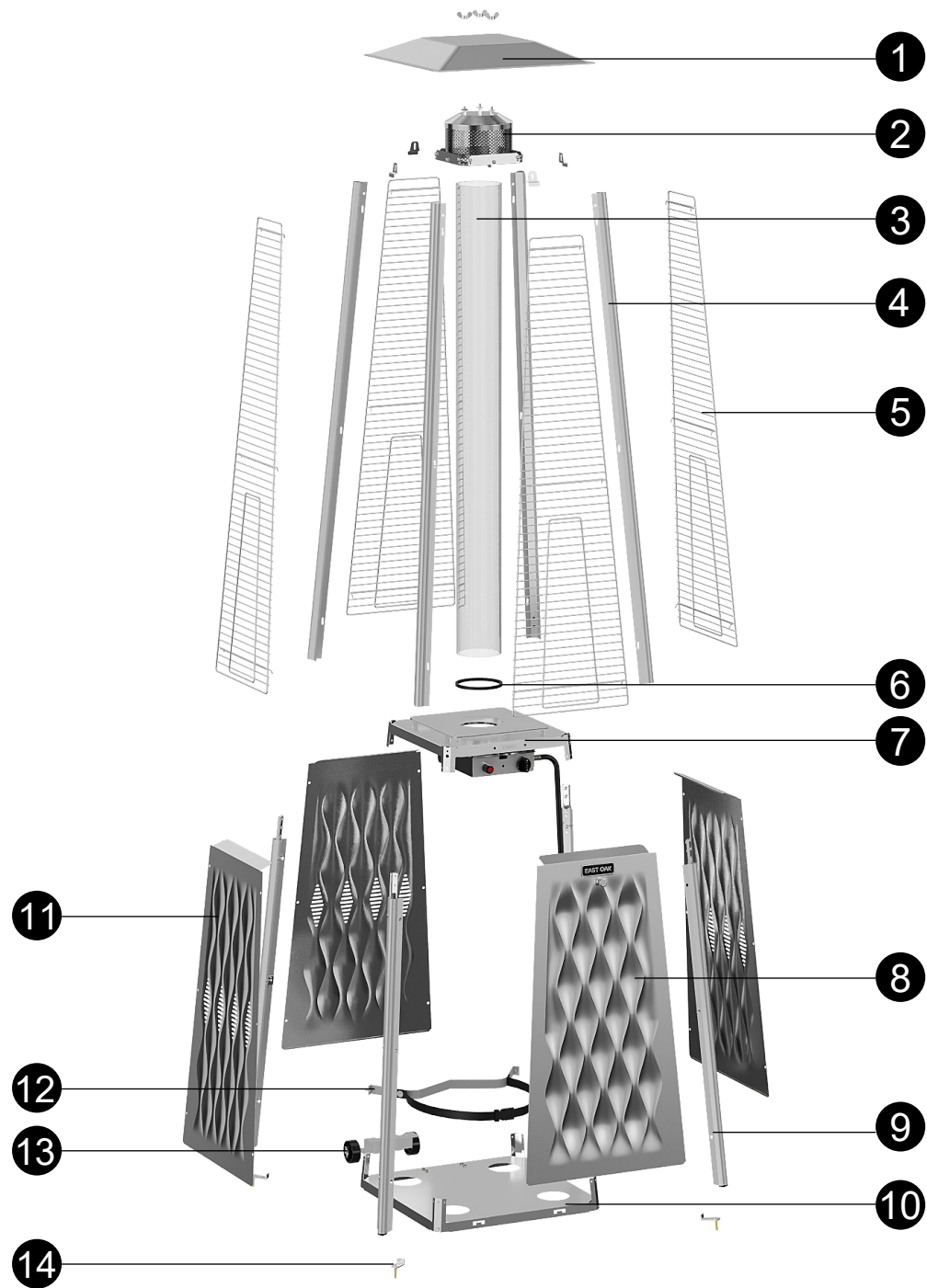


BE CAREFUL

Any items stored above, next to, or under this heater may be subject to radiant heat and in result may be damaged. Combustible materials should not be within 36 inches of the product.



PACKAGE CONTENTS



PACKAGE CONTENTS

PART	DESCRIPTION	QUANTITY
1	Reflector	1
2	Flame Screen	1
3	Glass Tube	1
4	Upper Support	4
5	Protective Guard	4
6	Black Silicone Ring	1
7	Control Box Assembly	1
8	Front Panel	1
9	Lower Support	4
10	Bottom Plate	1
11	Side Panel	3
12	Block Belt	1
13	Wheel Assembly	1
14	Ground Fixture	4

PARTS LIST



Lower Support
9 X 4 PCS



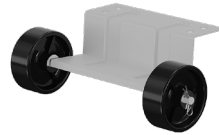
Upper Support
4 X 4 PCS



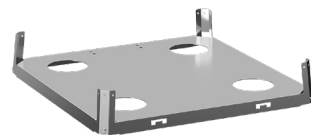
Control Box Assy
7 X 1 PCS



Ground Fixture
14 X 4 PCS



Wheel Assembly
13 X 1 PC



Bottom Plate
10 X 1 PC



Glass Tube
3 X 1 PC

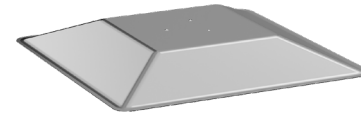


Black Silicone Ring
6 X 1 PC

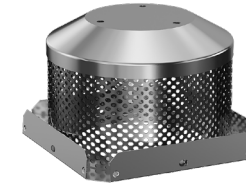


Block Belt
12 X 1 PC

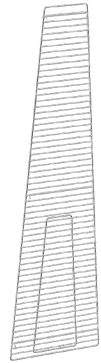
PARTS LIST



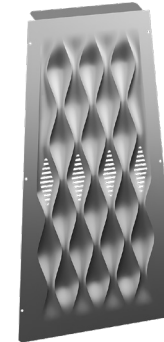
Reflector
1 X 1 PC



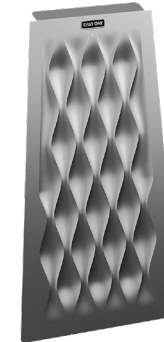
Flame Screen
2 X 1 PC



Protective Guard
5 X 4 PCS

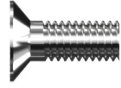


Side Panels
11 X 3 PCS

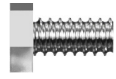


Front Panel
8 X 1 PC

PARTS LIST



M6*15 Screws
A X 4 PCS



M6*12 Bolt
B X 4 PCS



Stud
H X 3 PCS + Spare X 1



M5*12 Screws
E X 6 PCS



3/16" Screws
F X 38 PCS + Spare X 2



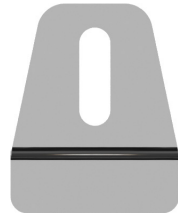
M6 Flange Nut
C X 4 PCS



M4*6 Screws
K X 1 PC



M6 Washer
I X 6 PCS + Spare X 1



Fixing Bracket
G X 4 PCS



M4*25 Screws
Q X 4 PCS

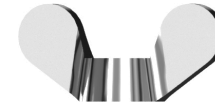


Plastic Expansion Tube
R X 4 PC



M6 Washer
Z X 4 PCS

PARTS LIST



Wing Nut
J X 3 PCS



Knob
L X 1 PC



Battery
D X 1 PC



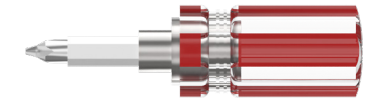
Chain
M X 1 PC



Long Stem Lighter
N X 1 PC



Wrench
O X 1 PC



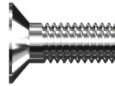
Philips Screwdriver
P X 1 PC

ASSEMBLY INSTRUCTIONS

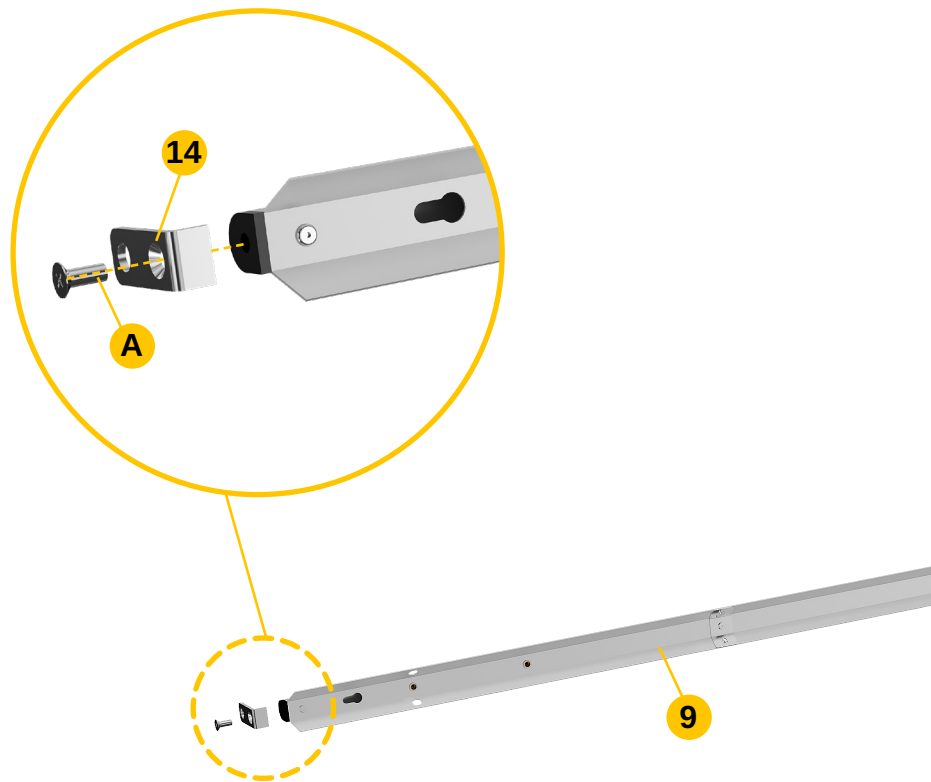
1 Fix the 4pcs ground fixtures to 4pcs of lower support, using 4pcs screw M6*15.



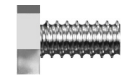
14 X 4 PCS



A X 4 PCS



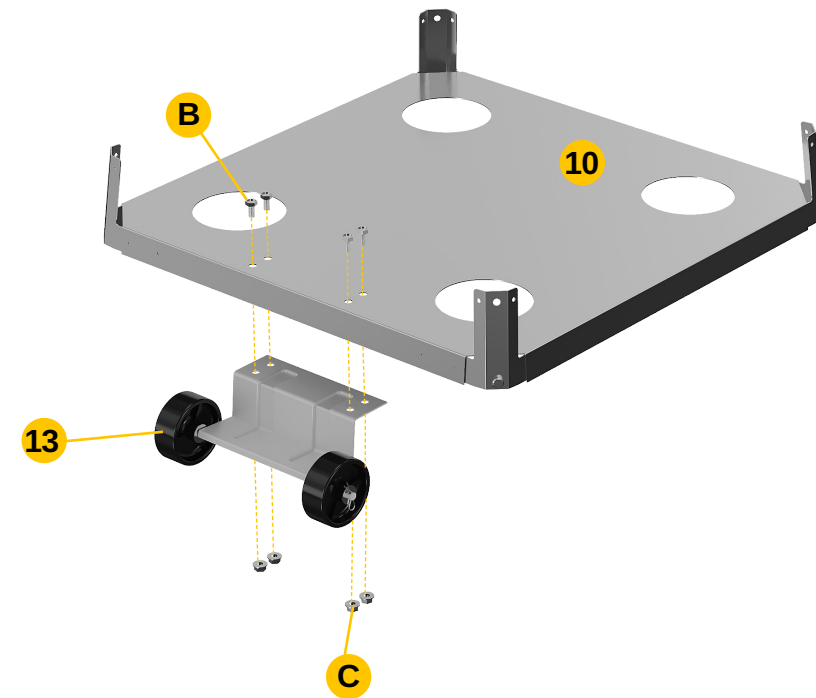
2 Fix the wheel assembly to the bottom plate using 4pcs bolt M6*12 and 4pcs flange nut M6.



B X 4PCS

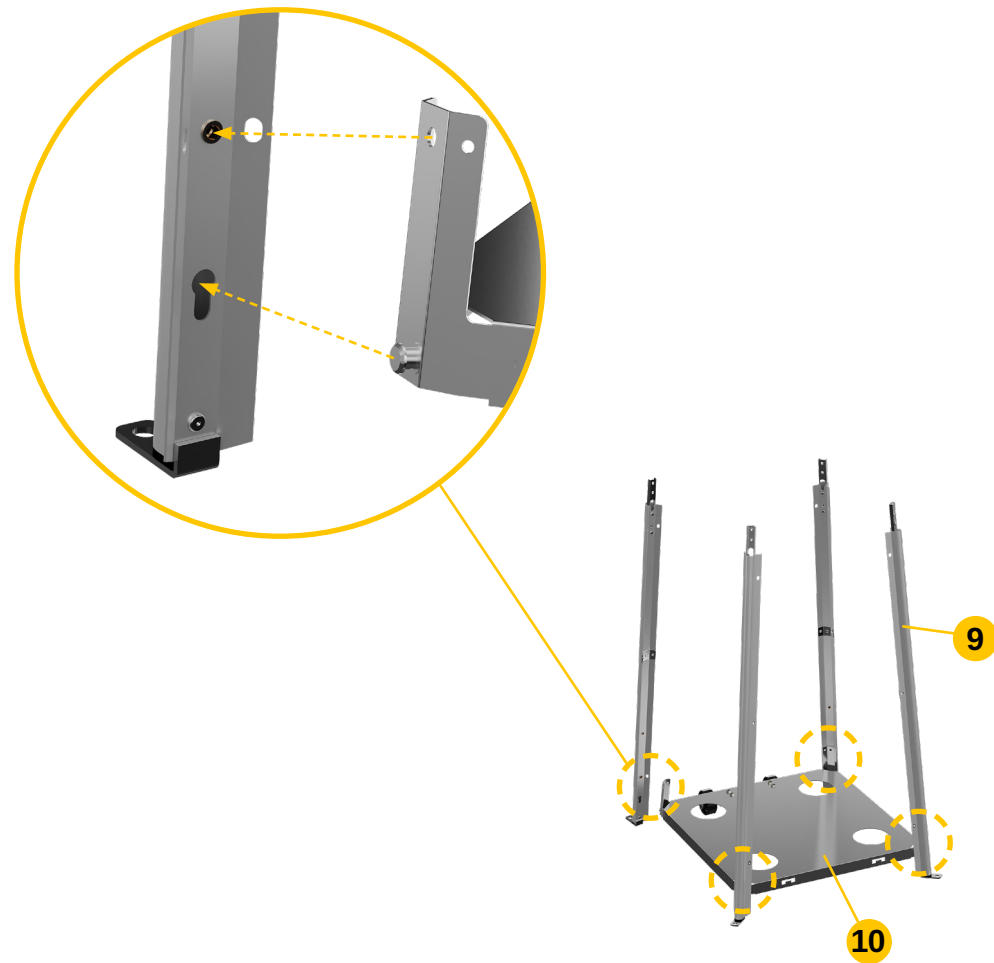


C X 4PCS



3 Lower Support Assembly

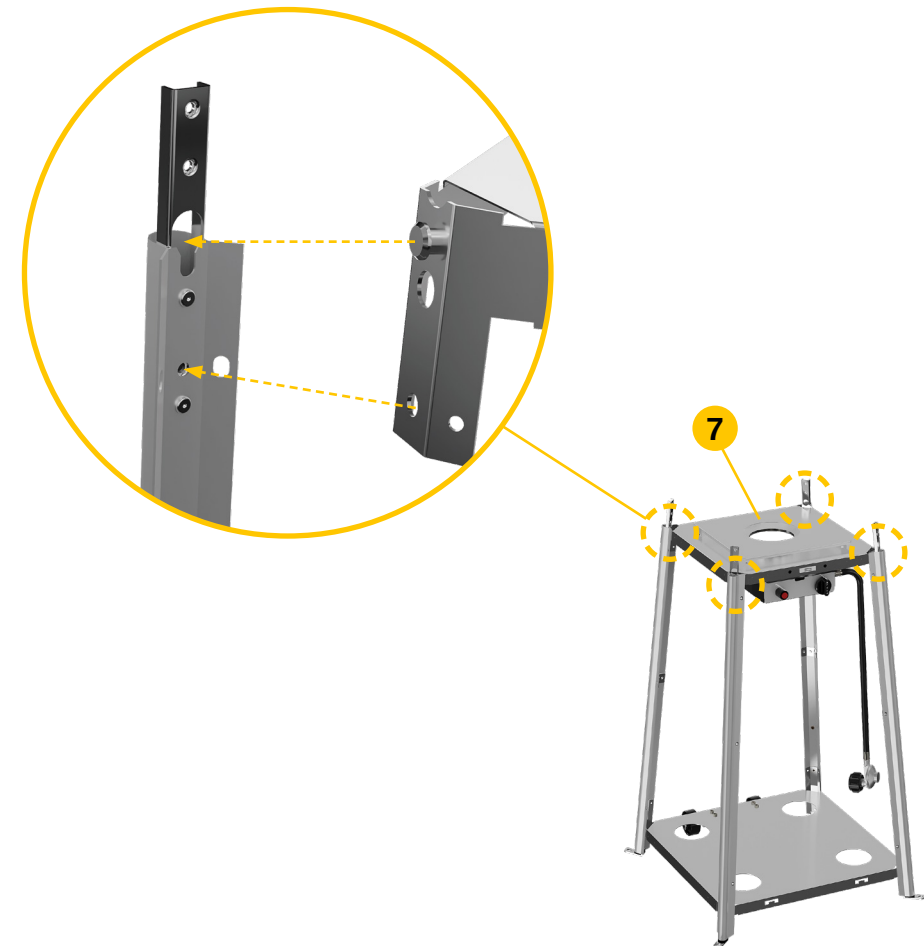
3.1 Insert the pins of the base to the bottom holes of lower supports.



3.2 Insert the pins of the control box assembly to the top holes of lower supports.



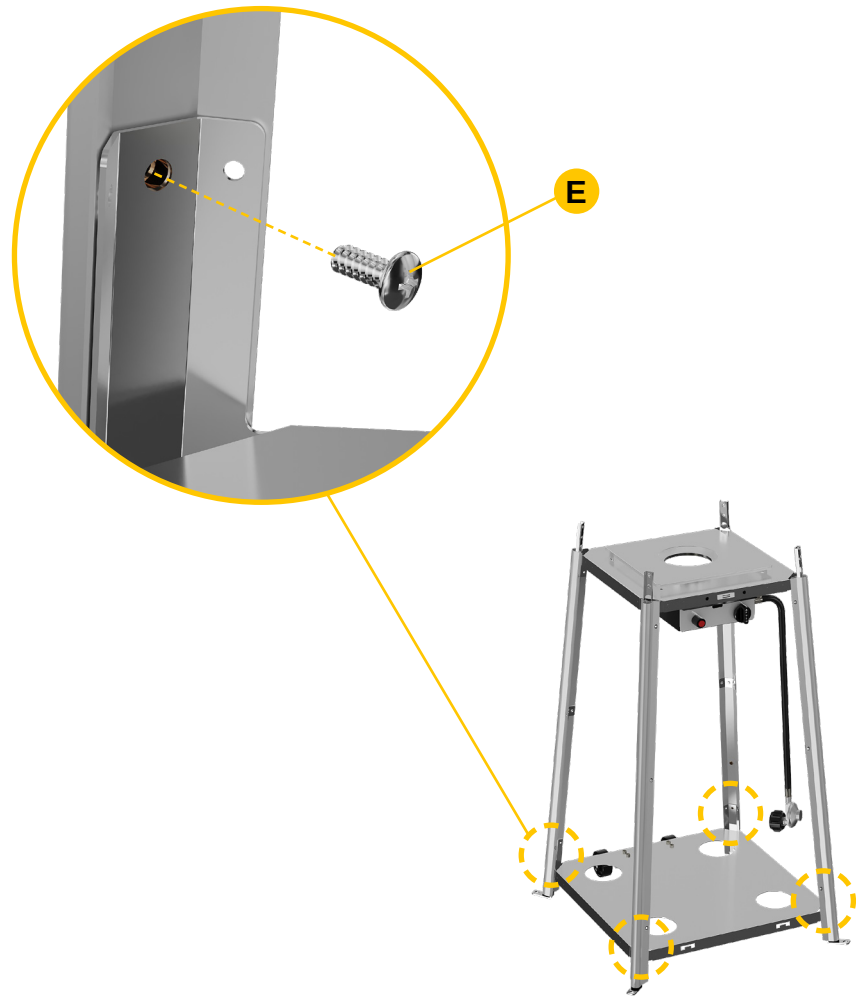
TIPS: When installing the control box assembly, the position of the ignition button and the moving wheel of the base are in the opposite direction.



3.3 Using 4pcs screw M5*12 screw to secure the lower supports and bottom plate.



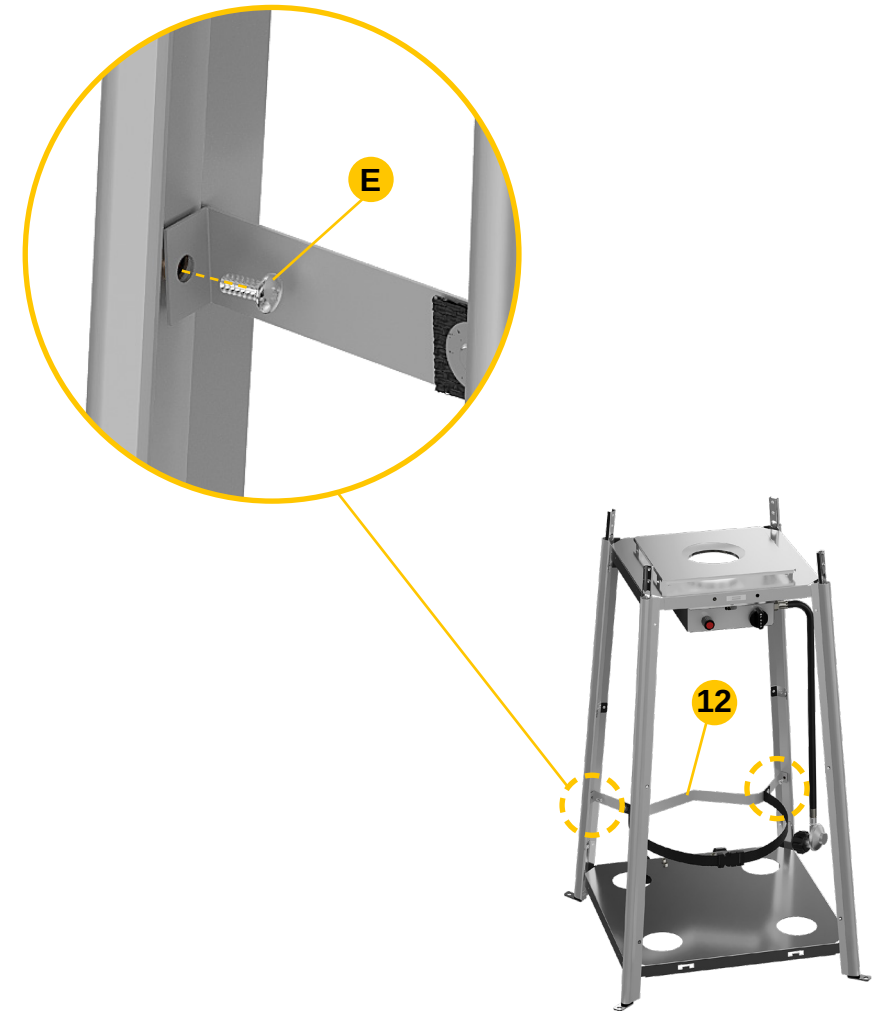
E X 4 PCS



3.4 Assemble block belt. Fix the block belt to the 2pcs of lower supports behind the front door, using 2pcs screw M5*12.



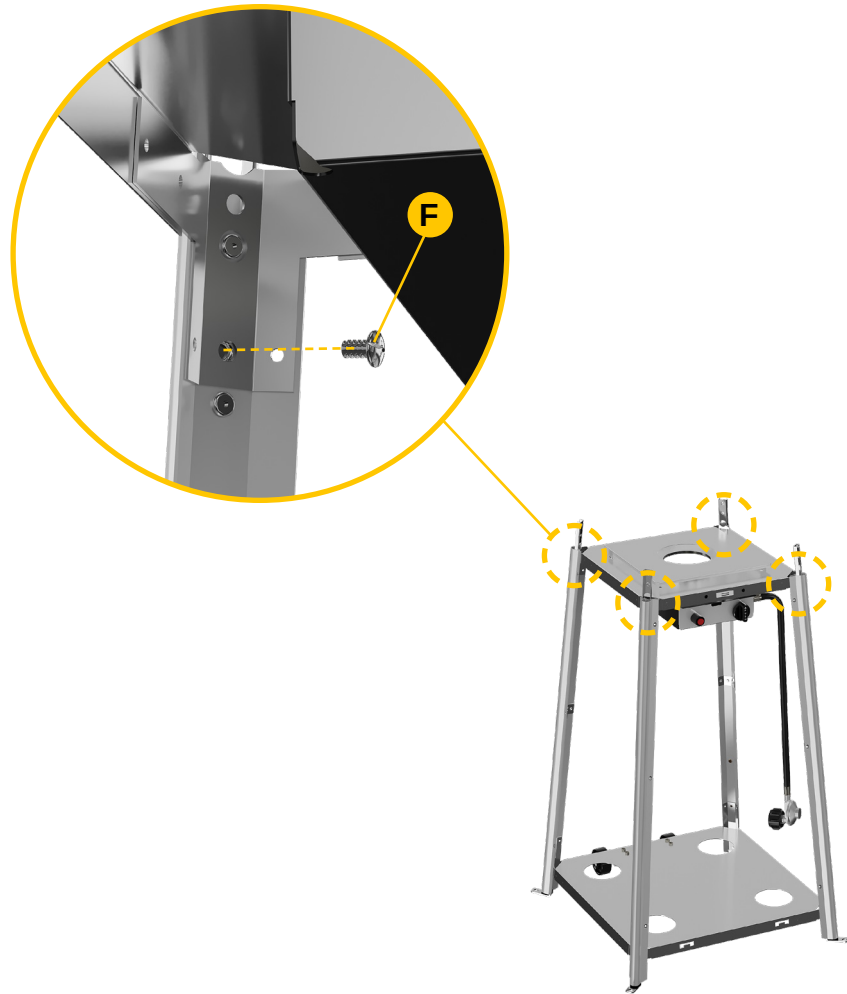
E X 2 PCS



4 Using 4pcs screw 3/16" to secure the lower supports and control box assembly.



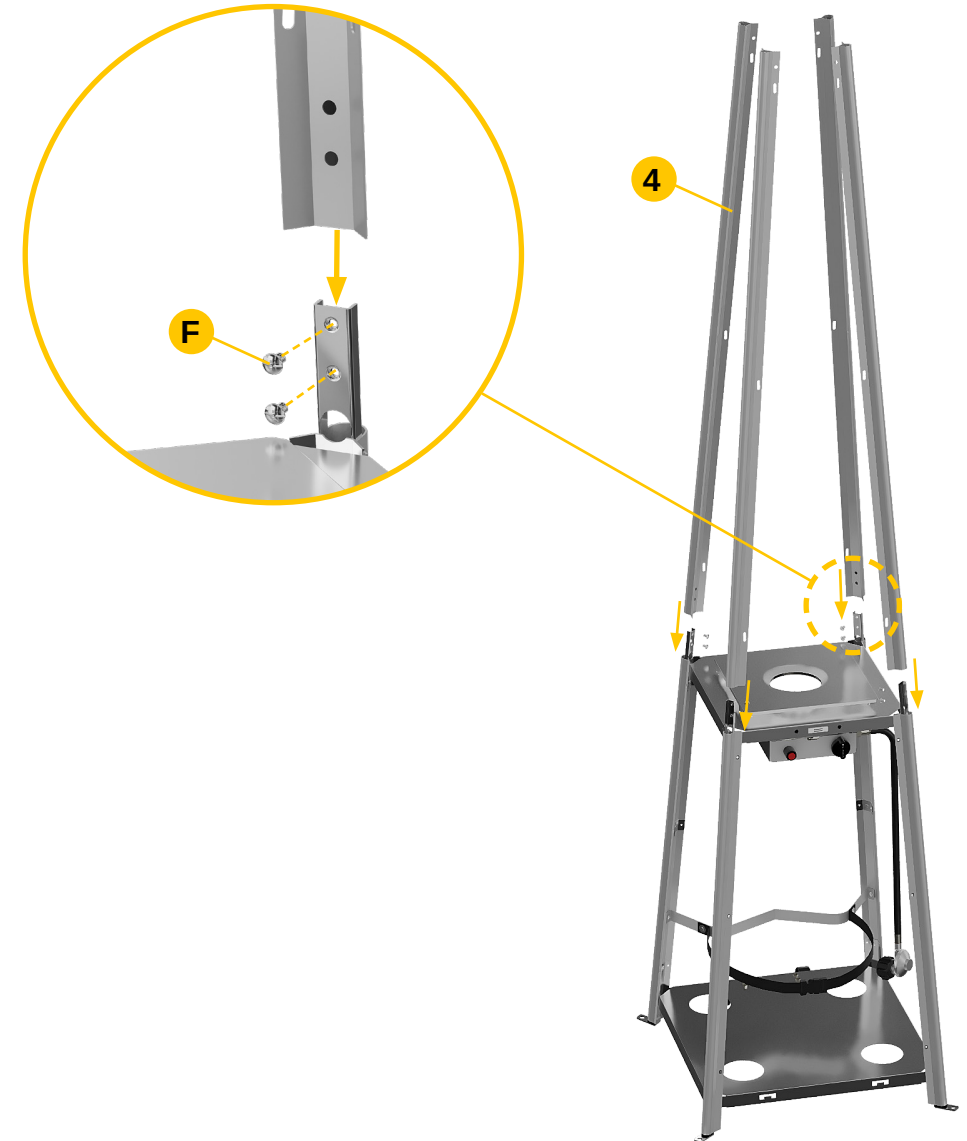
F X 4 PCS



5 Assemble the upper supports. Insert the 4pcs upper supports to the lower support. Secure them with 8pcs screw 3/16".



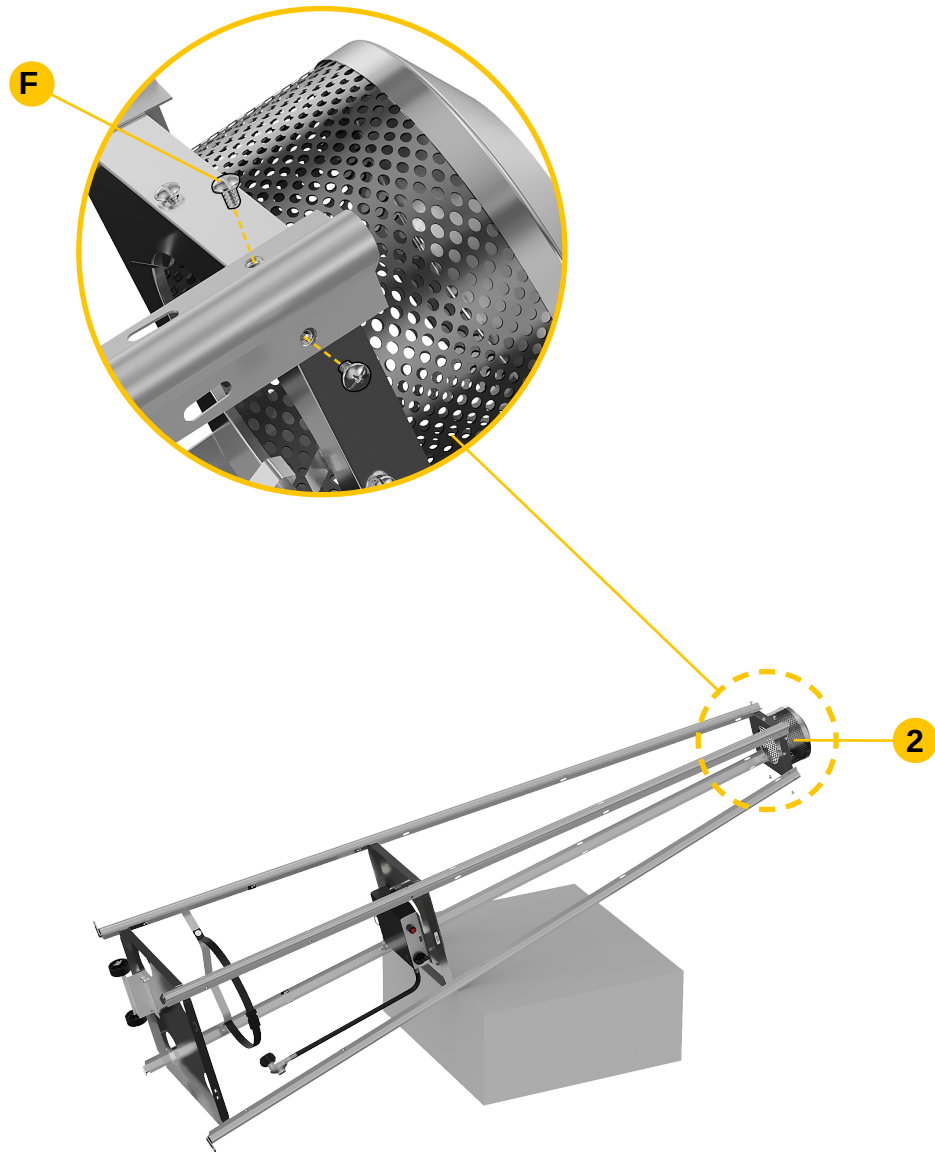
F X 8 PCS



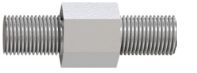
6 Place the assembled product parts on the box or other fixed objects like right picture shows, attach flame screen to upper supports with 8pcs 3/16" screws.



F X 8 PCS



7 Assemble The Reflector Onto The Flame Screen

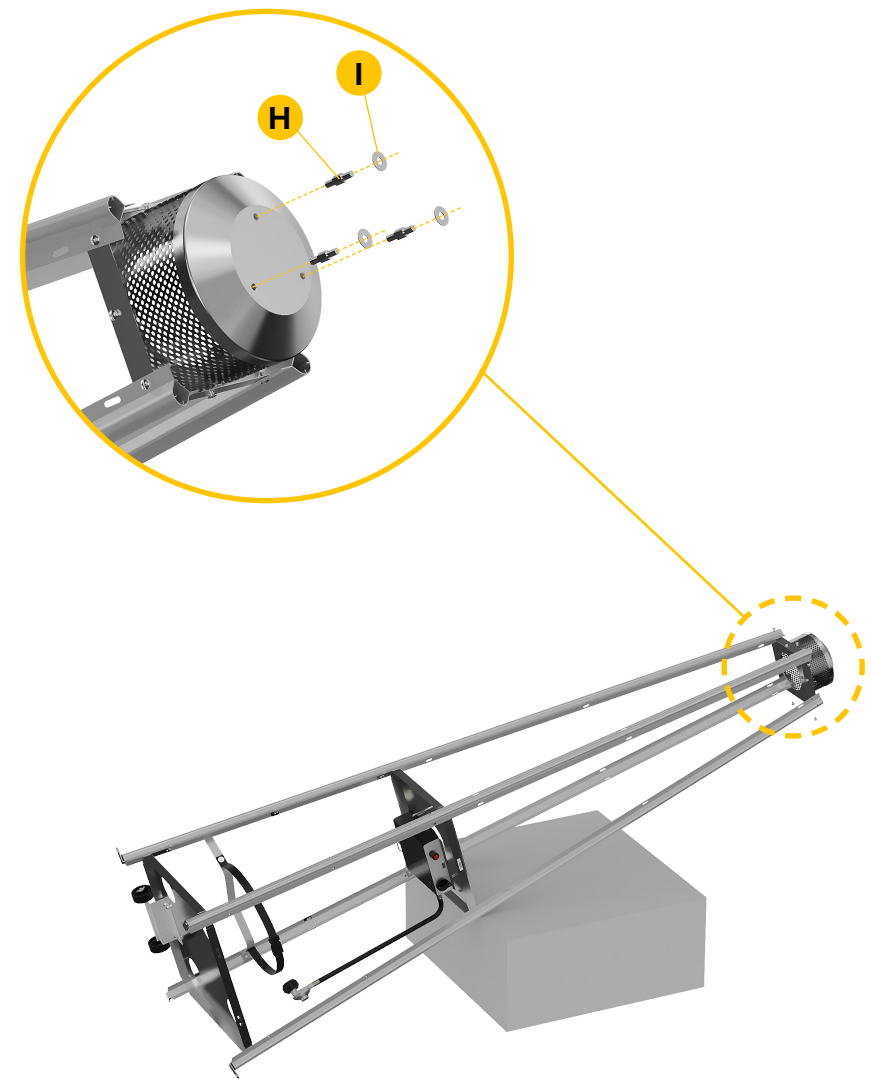


H X 3PCS

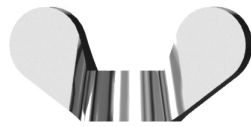
7.1 Screw the 3pcs stud on the flame screen, put 3pcs washer $\Phi 6$ onto the top of stud.



I X 3PCS



7.2 Then put the reflector onto the stud, secure them with 3pcs washer $\Phi 6$ and 3pcs wing nut.



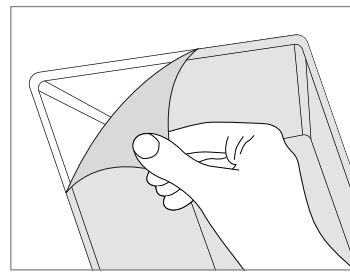
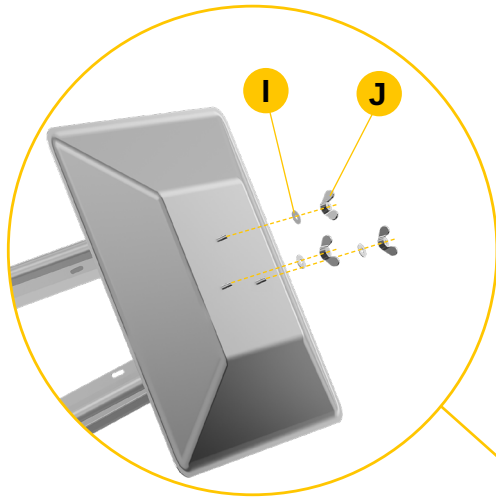
J X 3PCS



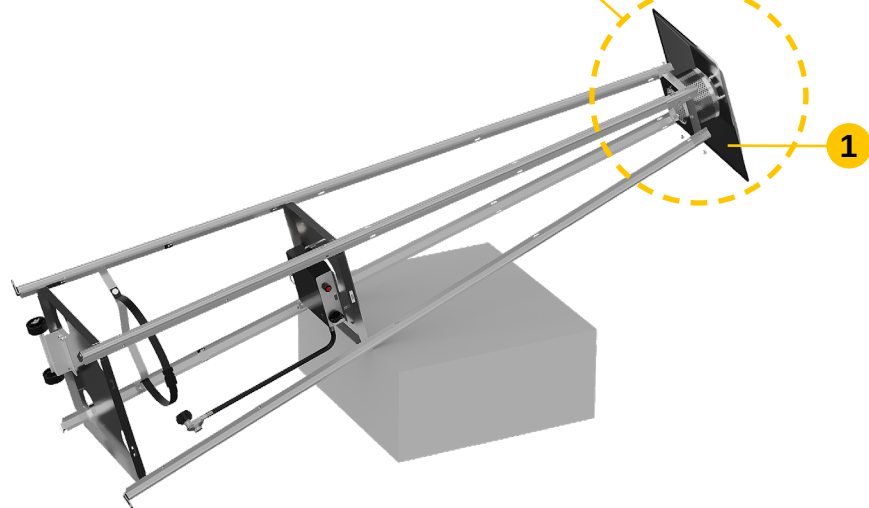
I X 3PCS



TIPS: The four upper support and the four corners of the reflector are aligned in parallel.



Remove the protective film before assembly.

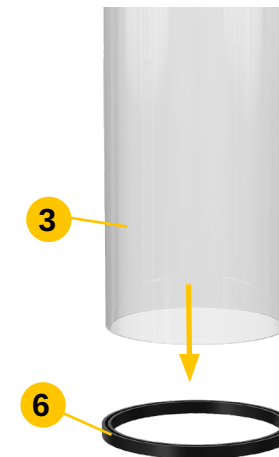


8 Install the Glass Tube

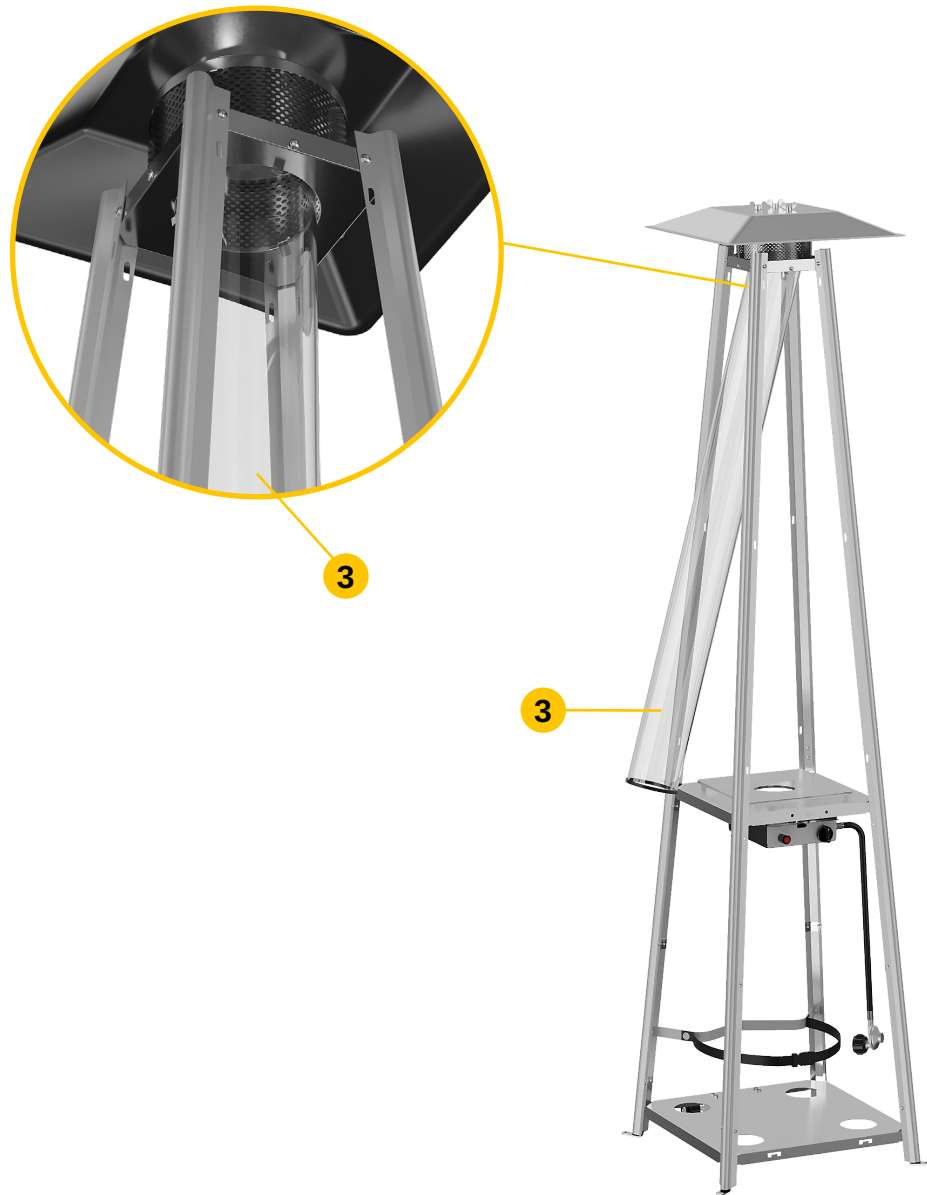
8.1 Place the black silicone ring onto the end of the glass tube as illustrated.



WARNING! The black silicone ring must be in place prior to operating the heater.



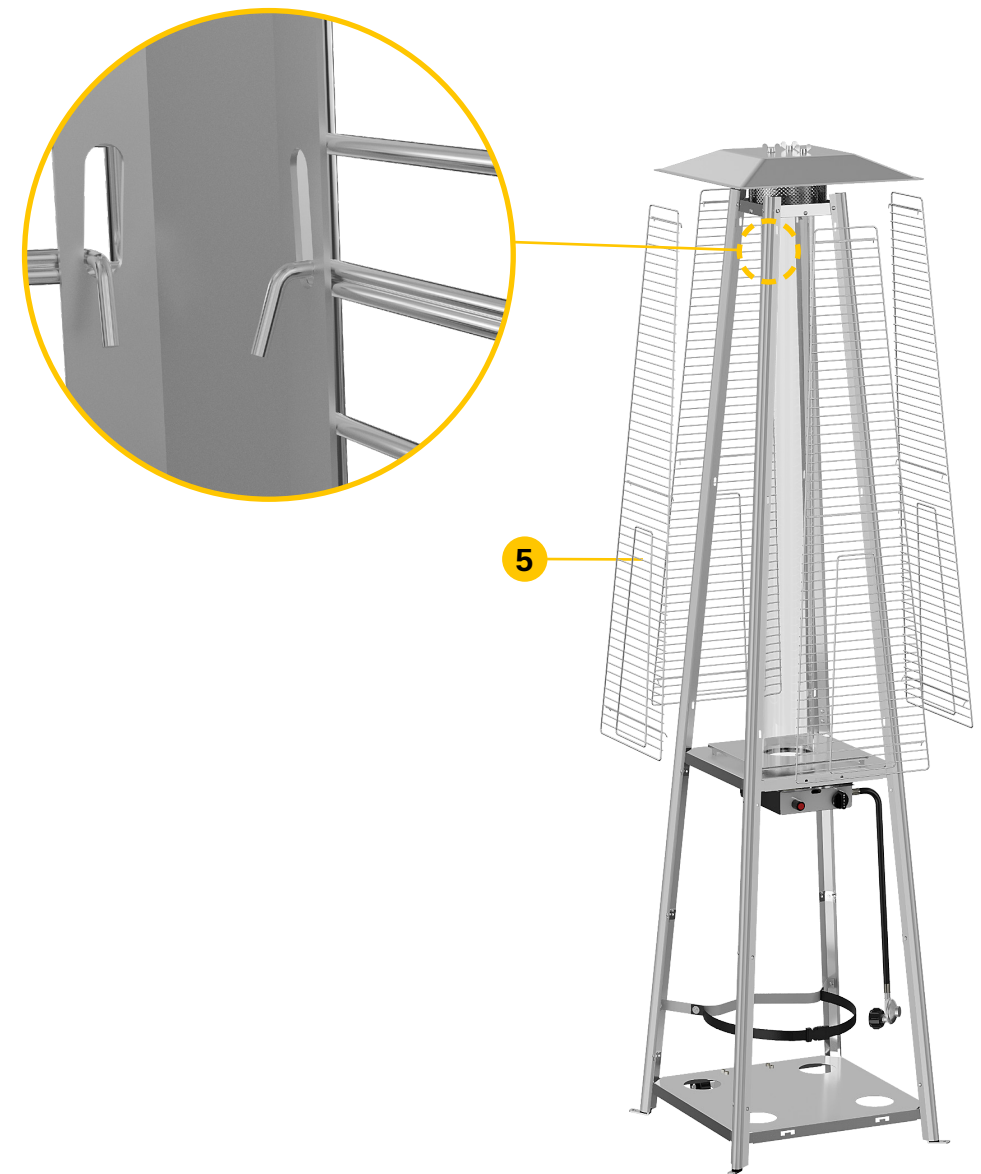
8.2 Insert the glass tube into the center hole of the flame screen (the 3 spring plates on the flame screen should stick onto the outside of the glass tube). Place the glass tube, at its end with the black silicone ring, onto the hole of the middle plate. Check and ensure that the glass tube is positioned properly and is completely covering the center hole of the middle plate.



9 Assembly the protective guards. Hang the hooks of the protective guard onto the holes in supports.



TIPS: Please make sure all hooks of protective guard are in holes on upper supports, then pull down the guards to keep tighten.

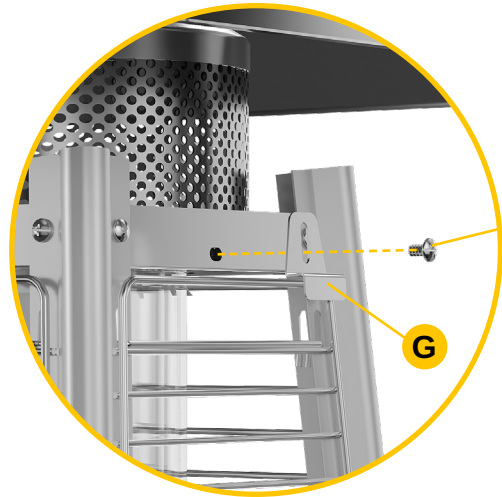


10

Unscrew the 1 screw in the middle of the flame screen and secure the 1 fixing bracket to the flame screen with the 3/16" screw just removed. Fixing brackets can fix the protective guards. Repeat the above steps for the other three sides.



G X 4PCS



11

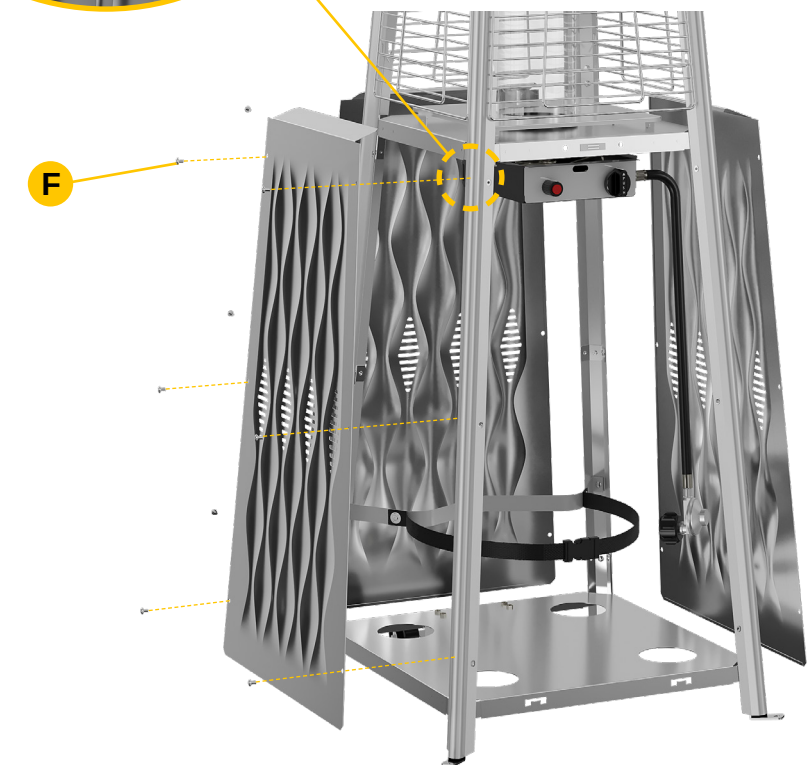
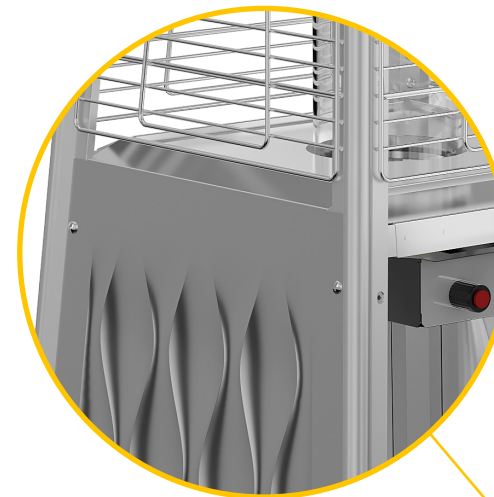
Attach the three side panels to the heater using 18pcs screw 3/16".



F X 18 PCS



TIPS: Do not cover the front side where the control knob is located.

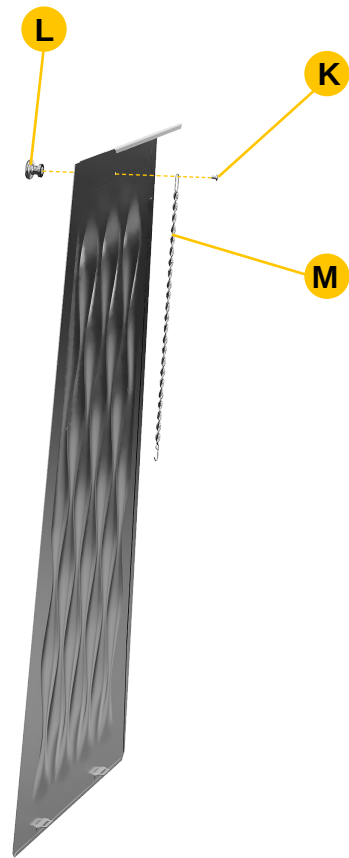


12

Install the knob and chain to front panel with a M4*6 screw.

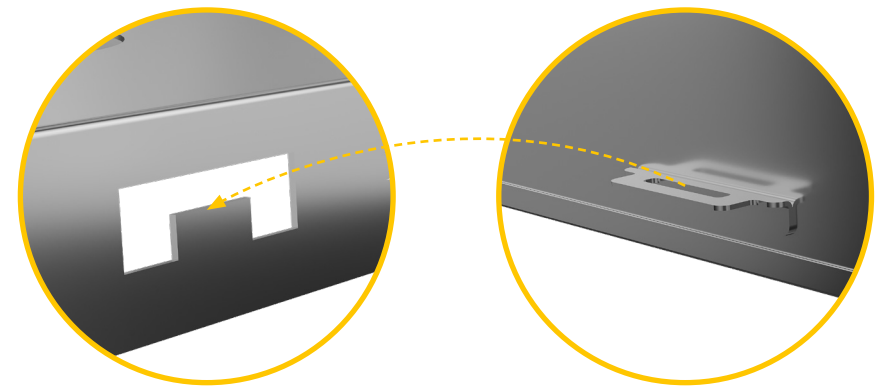
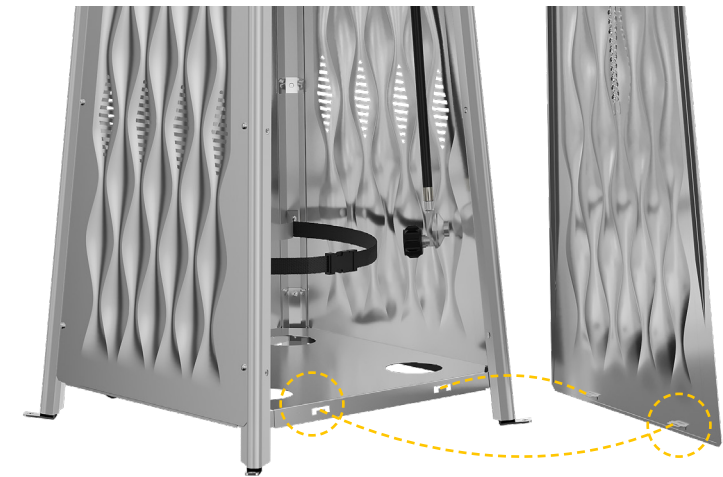


K X 1PC

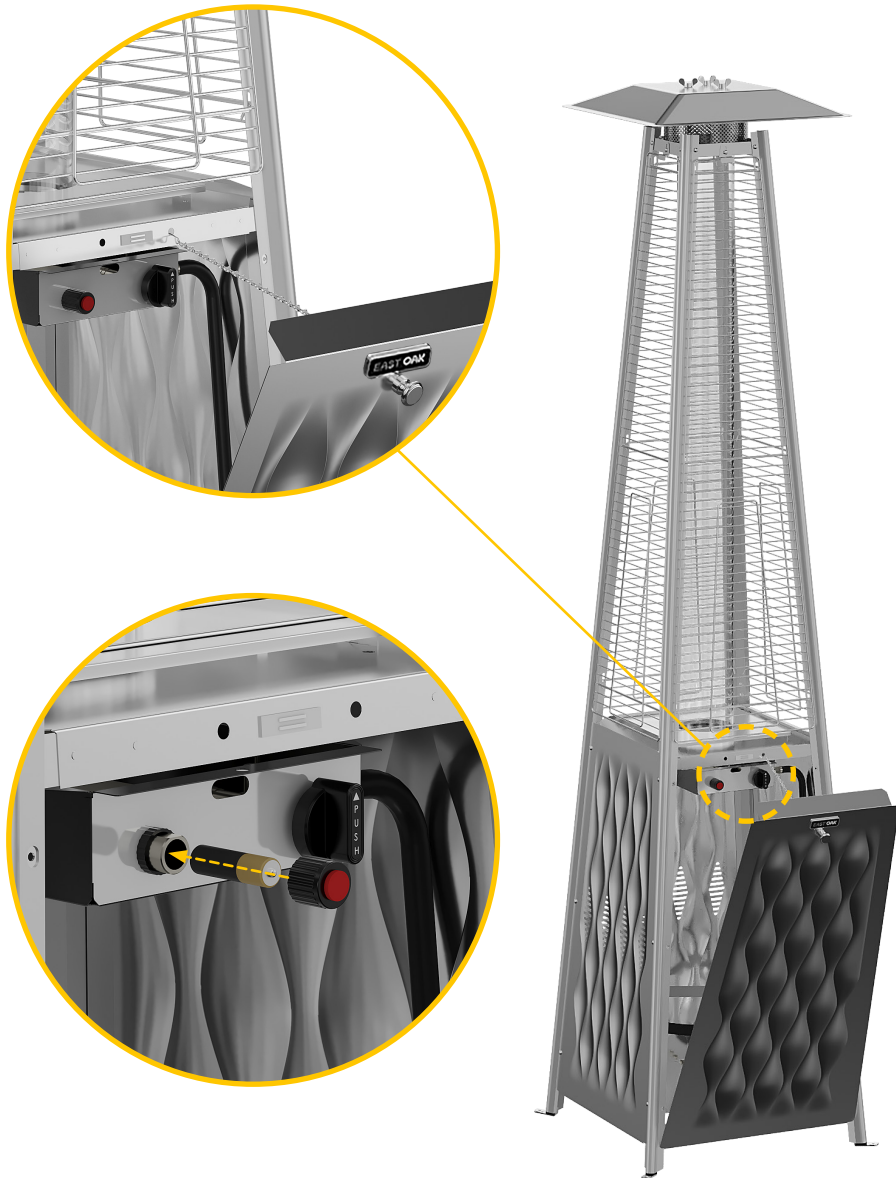


13

Put the pothook of front panel to the holes of bottom plate.



14 Hang the chain to the hole on the control box assembly. Unscrew the switch button, load small battery, and tighten the switch button.



15 If You Need To Install Floor Nails

First use an electric screwdriver to drill four holes in the floor. Attach 4pcs plastic expansion tube into ground, then use 4pcs M4*25 screws and M6 washers through ground fixtures to fix products on ground (Plastic expansion tube).



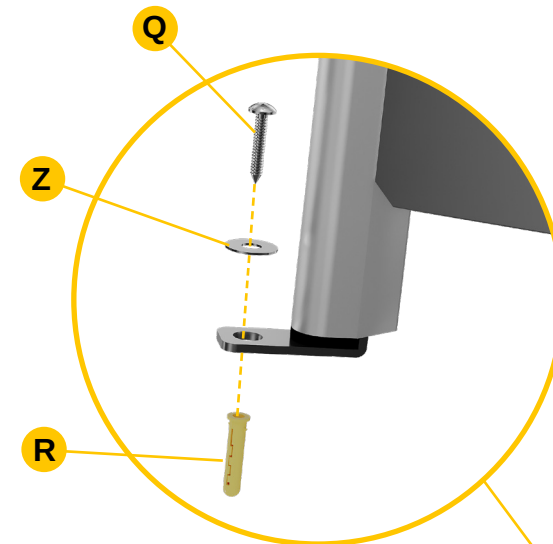
Q X 4 PCS



R X 4 PCS



Z X 4 PCS

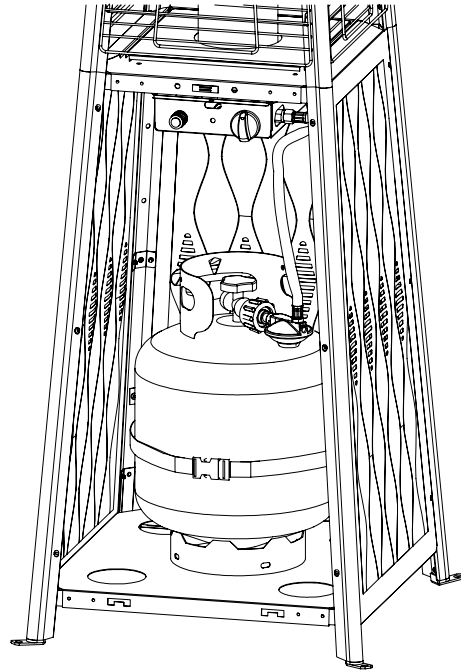


TIPS: Before install 4pcs plastic expansion tube, please make holes on ground with the right tool. It may cause your deck or ground damage. You can also ignore this step but bring your heater in house when big wind outside.



16

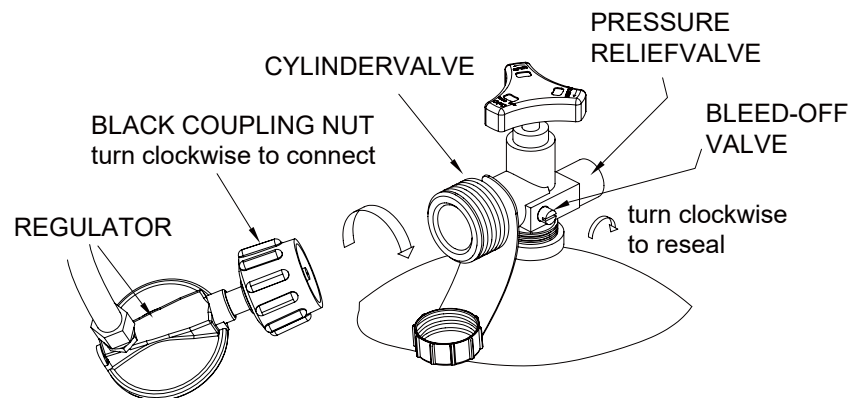
Insert the propane gas tank (sold separately, only 20 lb) into the lower opening. Connect the gas cylinder to the block belt.





17



To close the propane tank, turn the cylinder valve clockwise. Attach the regulator (J) to the cylinder valve by turning the regulator coupling nut clockwise.

IMPORTANT: Ensure the valves are secured tightly. Only do this manually with your hands.



ASSEMBLY INSTRUCTIONS

- A dented, rusted, or damaged propane cylinder may be hazardous and should be checked by your cylinder supplier. Never use a propane cylinder with a damaged valve connection.
- The propane cylinder must be constructed and marked in accordance with the specifications for propane gas cylinders of the U.S. Department of Transportation (DOT) or the standard for cylinders, spheres and tubes for transportation of dangerous goods and commission, CAN/CSA-B339.
- The cylinder must have a listed overfilling prevention device. The cylinder must have a connection device compatible with the connection for the appliance. The cylinder used must include a collar to protect the cylinder valve. Never connect an unregulated propane cylinder to the heater.
- The knob on the propane tank must be closed. Make sure that the knob is turned  clockwise to a full stop. The cylinder supply system must be arranged for vapor withdrawal. Check that the control knob on the control unit is turned off. Hold the regulator in one hand and insert the nipple into the valve outlet. Be sure the nipple is centered in the valve outlet. The coupling nut connects to the large outside threads on the valve outlet. Hand-tighten the coupling nut  clockwise until it comes to a full stop. Firmly tighten by hand only.

To Disconnect: Fully close the tank valve by turning  clockwise. Turn the coupling nut  counterclockwise until the regulator assembly detaches.

WARNING

- Do not store a spare propane gas cylinder under or near this appliance;
- Never fill the cylinder beyond 80 percent full;
- Place the dust cap on the cylinder valve outlet whenever the cylinder is not in use. Only install the type of dust cap on the cylinder valve that is provided with the cylinder valve. Other type of caps or plugs may result in leakage of propane.

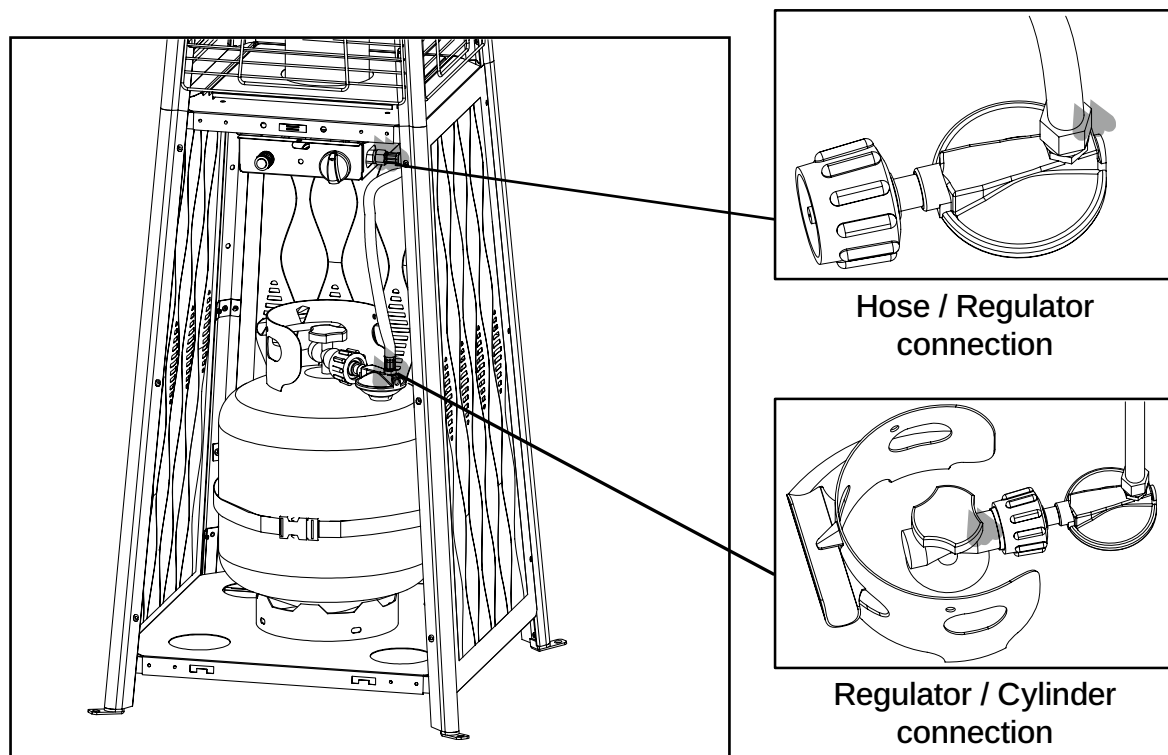


OPERATION INSTRUCTIONS

LEAK CHECK

⚠ WARNING

- Perform all leak tests outdoors.
- Extinguish all open flames.
- NEVER leak test when smoking.
- Do not use the heater until all connections have been leak tested and do not leak.



1. Make 2-3 oz. of leak check solution (one part liquid dishwashing detergent and three parts water).
2. Apply several drops of solution where hose attaches to regulator.
3. Apply several drops of solution where regulator connects to cylinder.
4. Make sure all patio heater and light valves are OFF.
5. Turn cylinder valve ON.

If bubbles appear at any connection, there is a leak.

1. Turn cylinder valve OFF.
 2. If leak is at hose/regulator connection: tighten connection and perform another leak test. If bubbles continue appearing, the hose should be returned to the place of purchase.
 3. If leak is at regulator/cylinder valve connection: disconnect, reconnect, and perform another leak check. If you continue to see bubbles after several attempts, cylinder valve is defective and should be returned to cylinder's place of purchase.
- If NO bubbles appear at any connection, the connections are secure.**

NOTE: Whenever gas connections are loosened or removed, you must perform a complete leak test.

4. Complete installation.

⚠ DANGER

- CARBON MONOXIDE HAZARD
- For outdoor use only. Never use inside house, or other unventilated or enclosed areas. This heater consumes air (oxygen). Do not use in unventilated or enclosed areas to avoid endangering your life.

⚠ CAUTION

- Do not attempt to operate until you have read and understand all General Safety Information in this manual and all assembly is complete and leak checks have been performed.
- This appliance shall be used only in a well-ventilated space and shall not be used in a building, garage or any other enclosed area.

An appliance may be installed with shelter no more inclusive than:

- a. With walls on all sides, but with no overhead cover.
- b. Within a partial enclosure which includes an overhead cover and no more than two side walls. These side walls may be parallel, as in a breezeway, or at right angles to each other.
- c. Within a partial enclosure which includes an overhead cover and three side walls, as long as 30 percent or more of the horizontal periphery of the enclosure is permanently open.



OPERATION INSTRUCTIONS

Before Turning Gas Supply ON:

1. Your heater was designed and approved for outdoor use only. Do NOT use it inside a building, garage, or any other enclosed area.
2. Make sure surrounding areas are free of combustible materials, gasoline, and other flammable vapors or liquids.
3. Ensure that there is no obstruction to air ventilation. Be sure all gas connections are tight and there are no leaks.
4. Be sure the cylinder cover is clear of debris. Be sure any component removed during assembly or servicing is replaced and fastened prior to starting.

Before Lighting:

1. Heater should be thoroughly inspected before each use, and by a qualified service person at least annually. If relighting a hot heater, always wait at least 5 minutes.
2. Inspect the hose assembly for evidence of excessive abrasion, cuts, or wear. Suspected areas should be leak tested. If the hose leaks, it must be replaced prior to operation. Only use the replacement hose assembly specified by manufacturer.
3. The pressure regulator and hose assembly supplied with the appliance must be used. Replacement pressure regulators and hose assemblies must be those specified by the appliance manufacturer.

Lighting:

NOTE: This heater is equipped with a pilot light that allows for safer startups and shutdowns. Pilot must be lit before main burner can be started.

1. Turn the control knob to the “OFF” position.
2. Fully open propane cylinder valve.
3. Push control knob in and rotate to pilot position (Figure 1).

NOTE: For initial start or after any cylinder change, hold control knob in for 2 minutes to purge air from gas lines before proceeding.

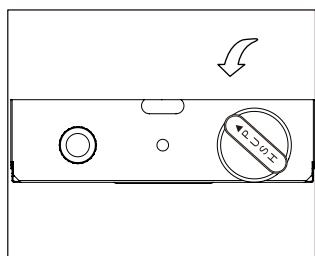


Figure 1

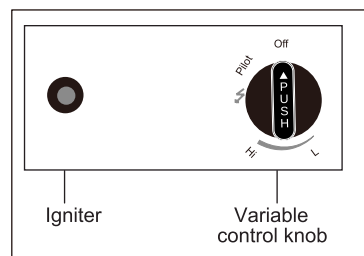


Figure 2

4. Push and release the igniter button until pilot flame is visible through the glass tube.
5. Once the pilot is lit, continue to depress the control knob for 30 seconds.
6. If the pilot does not stay lit, repeat steps 4 to 6.
7. If after repeating steps 4 to 6 unit does not light, then
 - Push in control knob and turn counterclockwise to “PILOT” (Figure 3).
 - As you are depressing the control knob, place long stem lighter(NN) through the glass tube to light the pilot (Figure 4).
 - Repeat step 6.

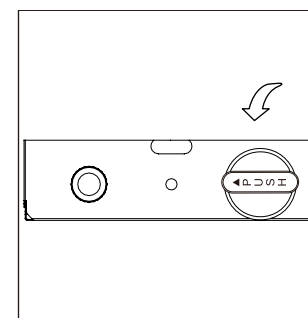
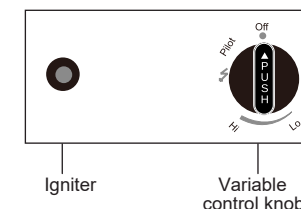


Figure 3

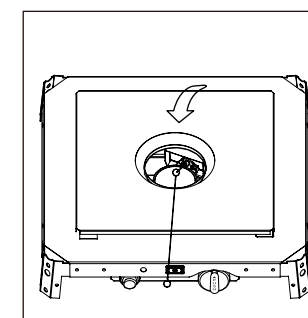


Figure 4

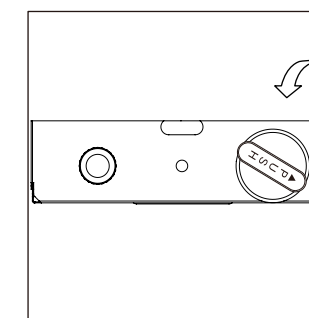


Figure 5

8. Push in and turn the control knob to the “HIGH”, then release control knob. If you want a lower temperature, push in the control knob and turn counterclockwise to the “LOW” (Figure 5).

NOTE: Improper operation, can cause injury or property damage. If pilot fails to remain lit, all valves should be closed and a waiting period of at least 5 minutes should pass before attempting to light.

If You Experience Any Ignition Problem Please Consult “Troubleshooting” On Page 46.

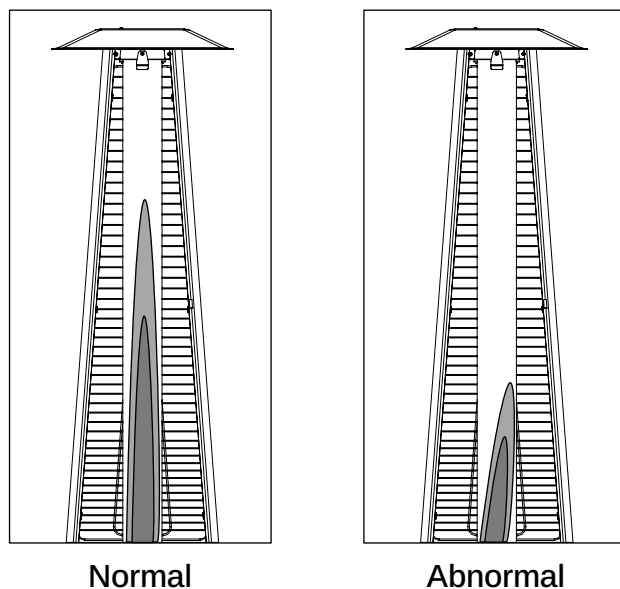
CAUTION: Avoid inhaling fumes emitted from the heater’s first use. Smoke and odor from the burning of oils used in manufacturing will appear. Both smoke and odor will dissipate after approximately 30 minutes. The heater should NOT produce thick black smoke.

NOTE: The burner may be noisy when initially turned on. To eliminate excessive noise from the burner, turn the control knob to the PILOT position. Then turn the knob to the level of heat desired.



OPERATION INSTRUCTIONS

NOTE: In normal conditions, the height of the flame should be 2/3 the height of the glass tube when on “hi” and 1/3 the height of the tube when on “low.” The flame should be stable and bright, with no noise or black smoke.



! WARNING FOR YOUR SAFETY

Be careful when attempting to manually ignite this heater. Holding in the control knob for more than 10 seconds before igniting the gas will cause a ball of flame upon ignition.

When heater is ON:

The flame should be blue with straight yellow tops. If excessive yellow flame is detected, turn off heater and consult “Troubleshooting” on page 43.

Re-lighting:

Note: For your safety, control knob cannot be turned OFF without first depressing control knob in PILOT position and then rotating it to OFF.

1. Turn control knob to OFF.
2. Wait at least 5 minutes, to let gas dissipate, before attempting to relight pilot.
3. Repeat the “Lighting” steps on prior page.

! WARNING FOR YOUR SAFETY

Heater will be hot after use. Handle with extreme care.

Shut Down:

1. Turn control knob clockwise to PILOT. (Normally, burner will make a slight popping sound when extinguished.) Burner will extinguish but PILOT will remain ON.
2. To extinguish PILOT depress control knob and continue to turn it clockwise to OFF.
3. Turn cylinder valve clockwise to OFF and disconnect regulator when heater is not in use.

Note: After use, some discoloration of the emitter screen is normal.

Operation Checklist

For a safe and pleasurable heating experience, perform this check before each use.

Before Operating:

1. I am familiar with entire owner’s manual and understand all precautions noted.
2. All components are properly assembled, intact and operable.
3. No alterations have been made.
4. All gas connections are secure and do not leak.
5. Wind speed is below 10 mph.
6. Unit will operate at reduced efficiency below 40°F.
7. Heater is outdoors (outside any enclosure).
8. There is adequate fresh air ventilation.
9. Heater is away from gasoline or other flammable liquids or vapors.
10. Heater is away from windows, air intake openings, sprinklers, and other water sources.
11. Heater is at least 36 in. on top and at least 36 in. on sides from combustible materials.
12. Heater is on a hard and level surface.
13. There are no signs of spider or insect nests.
14. All burner passages are clear.
15. All air circulation passages are clear.
16. Children and adults should be alerted to the hazards of high surface temperatures and should stay away to avoid burns or clothing ignition.
17. Young children should be carefully supervised when they are in the area of the heater.
18. Clothing or other protective material should not be hung from the heater, or placed on or near the heater.



OPERATION INSTRUCTIONS

19. Any guard or other protective device removed for servicing the heater must be replaced prior to operating the heater.
20. Installation and repair should be done by a qualified service person. The heater should be inspected before use and at least annually by a qualified service person.
21. More frequent cleaning may be required as necessary. It is imperative that control compartment, burner and circulating air passageways of the heater be kept clean.

After Operation

1. Gas control is in OFF position.
2. Gas tank valve is OFF.
3. Disconnect gas line.



CARE AND MAINTENANCE

! WARNING FOR YOUR SAFETY

- Do NOT touch or move heater for at least 45 minutes after use.
- Reflector is hot to the touch.
- Allow reflector to cool before touching.

To enjoy years of outstanding performance from your heater, make sure you perform the following maintenance activities half a year:

Keep exterior surfaces clean.

1. Use warm soapy water for cleaning. Never use flammable or corrosive cleaning agents.
2. While cleaning your unit be sure to keep the area around the burner and pilot assembly dry at all times. Do not submerge the control valve assembly. If the gas control is submerged in water, do NOT use it. It must be replaced.
 - a. Keep the appliance area clear and free from combustible materials, gasoline, and other flammable vapors and liquids.
 - b. Do not obstruct the flow of combustion and ventilation air.
 - c. Keep the ventilation opening(s) of the cylinder enclosure free and clear from debris.
3. Air flow must be unobstructed. Keep controls, burner, and circulating air passageways clean.

Visually checking portions of the hose assembly located within the confines of the heater post. Inspect the entire hose assembly at least annually, disassembling the reflector and burner. Inspect the hose assembly for evidence of excessive abrasion, cuts, or wear. Suspected areas should be leak tested.

Signs of possible blockage include:

- Gas odor with extreme yellow tipping of flame.
- Heater does NOT reach the desired temperature.
- Heater glow is excessively uneven.
- Heater makes popping noises.
- Spiders and insects can nest in burner or orifices. This dangerous condition can damage heater and render it unsafe for use. Clean burner holes by using a heavy-duty pipe cleaner. Compressed air may help clear away smaller particles.



CARE AND MAINTENANCE

- Carbon deposits may create a fire hazard. Disassembly the reflector, unscrew the reflector spacer, take off the screen, take down one side of protective guards. Then take the glass tube from the heater and wash and clear. After that assembly the glass tube and the rest of parts.

Note: In a salt-air environment (such as near an ocean), corrosion occurs more quickly than normal. Frequently check for corroded areas and repair them promptly.



TIPS: Use high-quality automobile wax to help maintain the appearance of your heater. Apply to exterior surfaces from the pole down. Do not apply to emitter screen or domes.

Storage

Between uses:

- Turn Control Knob OFF.
- Disconnect propane cylinder.
- Store heater upright in an area sheltered from direct contact with inclement weather (such as rain, sleet, hail, snow, dust, and debris).
- If desired, cover heater to protect exterior surfaces and to help prevent build-up in air passages.

Note: Wait until heater is cool before covering.

During periods of extended inactivity or when transporting:

- Turn Control Knob OFF.
- Disconnect propane cylinder and move to a secure, well-ventilated location outdoors.
- Store heater upright in an area sheltered from direct contact with inclement weather (such as rain, sleet, hail, snow, dust, and debris).
- If desired, cover heater to protect exterior surfaces and to help prevent build-up in air passages. Never leave propane cylinder exposed to direct sunlight or excessive heat.

Note: Wait until heater is cool before covering.

Service

Only a qualified service person should repair gas passages and associated components.

CAUTION: Always allow heater to cool before attempting service.

TROUBLESHOOTING

PROBLEM	POSSIBLE CAUSE	CORRECTIVE ACTION
Pilot won't light Note: Heater operates at reduced efficiency below 40°F (5°C)	Cylinder valve is closed	Open valve
	Blockage in orifice or pilot tube	Clean or replace orifice or pilot tube
	Air in gas line	Open gas line and bleed it (pressing control knob in) for not more than 1 - 2 minutes or until you smell gas
	Low gas pressure with cylinder valve fully open	Turn cylinder valve OFF and replace cylinder
	Igniter fails	Use match to light pilot; obtain new igniter and replace
Pilot won't stay lit	Dirt built up around pilot	Clean dirt from around pilot
	Connection between gas valve and pilot assembly is loose	Tighten connection and perform leak check
	Thermocouple is not operating correctly	Replace thermocouple
Burner won't light	Propane cylinder is frosted over	Wait until the propane cylinder warms up and becomes unfrosted
	Blockage in orifice	Clear blockage
	Control knob is not in ON position	Turn control knob to ON
Burner flame is low	Gas pressure is low	Turn cylinder valve OFF and replace cylinder
	Outdoor temperature is less than 40°F and tank is less than 1/4 full	Use a full cylinder
	Control knob fully ON	Check burner and orifices for blockage
Carbon build-up	Dirt or film on reflector and burner screen	Clean reflector and burner screen
Thick black smoke	Blockage in burner	Remove blockage and clean burner inside and outside

FEATURES

- This Pyramid Patio Heater has the highest heat output on the market (48000 BTU) and is powerful enough to heat in only 5 minutes.
- It has triple safety protection, including an anti-tilt sensor protection valve, flame-out protection, and hypoxia protection.
- Pulse ignition is more convenient to operate.
Note: 5AA battery included, recommended to remove the battery if not used for a long time.
- Equipped with two smooth-rolling wheels, the heater is convenient and easy to move.

WARNING

Cancer and reproductive harm
www.P65Warnings.ca.gov.

WARRANTY POLICY

EAST OAK warrants this Patio Heater for the components, coverage, and warranty period listed in the table below under normal use and proper maintenance. The limited warranty is valid for the original retail purchaser from the date of initial retail purchase through the term of the limited warranty period. The warranty period and coverage for the replacement parts shall be as follows:

Warranty Periods and Coverage

Components	Warranty Period	Coverage
Control Box Assy/ Glass Tube	1 Year	Material and Manufacturing Defects
Front Panel/Side Panel	1 Year	Will not rust through
Reflector/Flame Screen/ Upper&Lower Support/ ProtectiveGuard/Bottom Plate/Wheel Kit	3 Year	Material and Manufacturing Defects

Not Covered:

- UV damage: ultra-violet damage to coat.
- Normal wear and tear, cosmetic blemishes occurring as a result of use (scratches or dents etc.).
- Damage caused by misuse, accident, abuse, or improper care.
- Damage caused by acts of nature (storm damage, wind damage, etc).
- Arbitrarily repair or modification by the customer.

During the limited warranty period for the product, East Oak will provide parts, repair, or replace your product, at our discretion, due to any defect in materials or manufacturing defects.

East Oak will provide replacement parts, but the customer will be responsible for installation.

Pyramid Patio Heater 48000 BTU



EAST OAK

✉ support@eastoak.com

🌐 eastoak.com

☎ 1-833-EAST-OAK (USA)