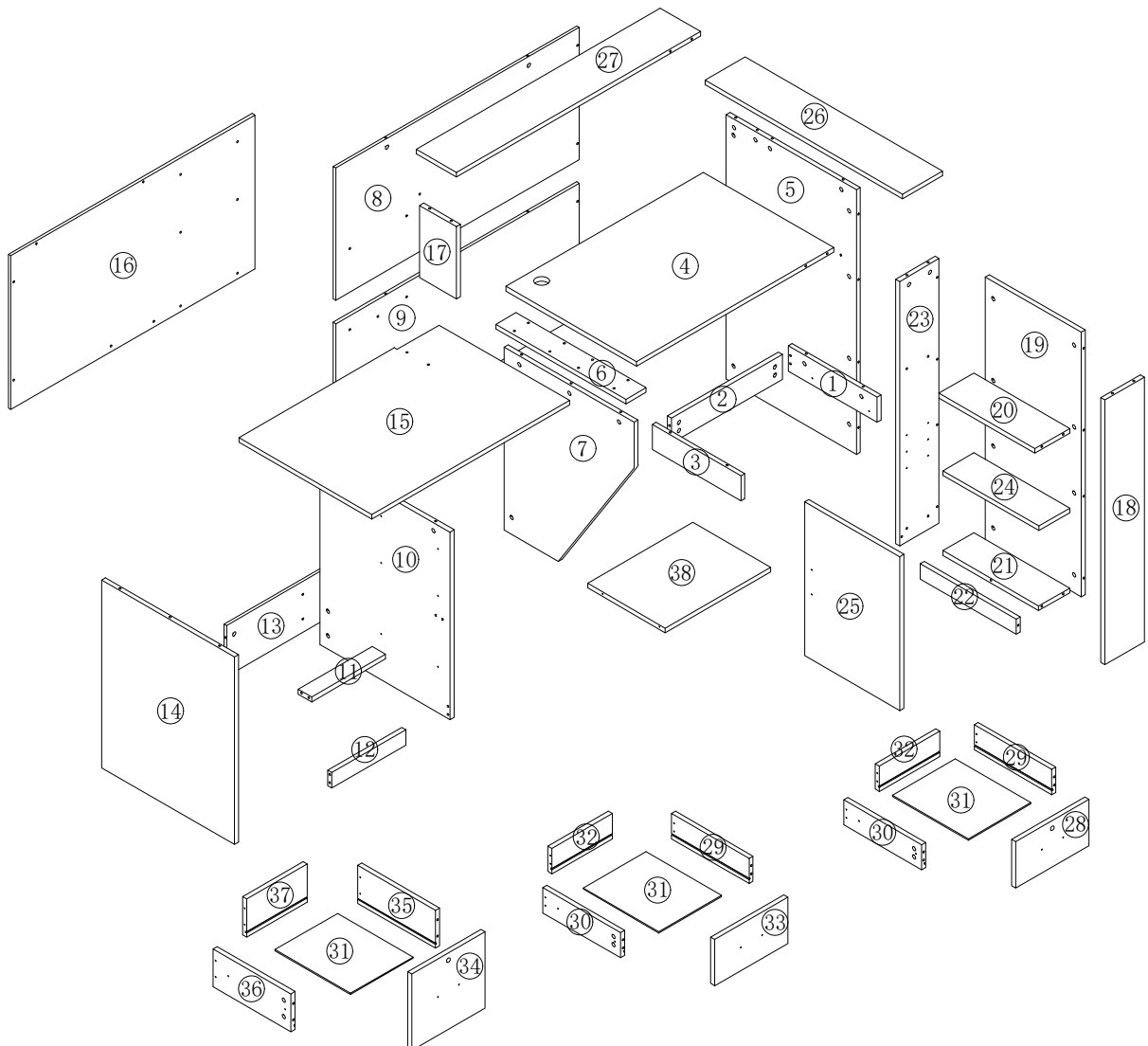
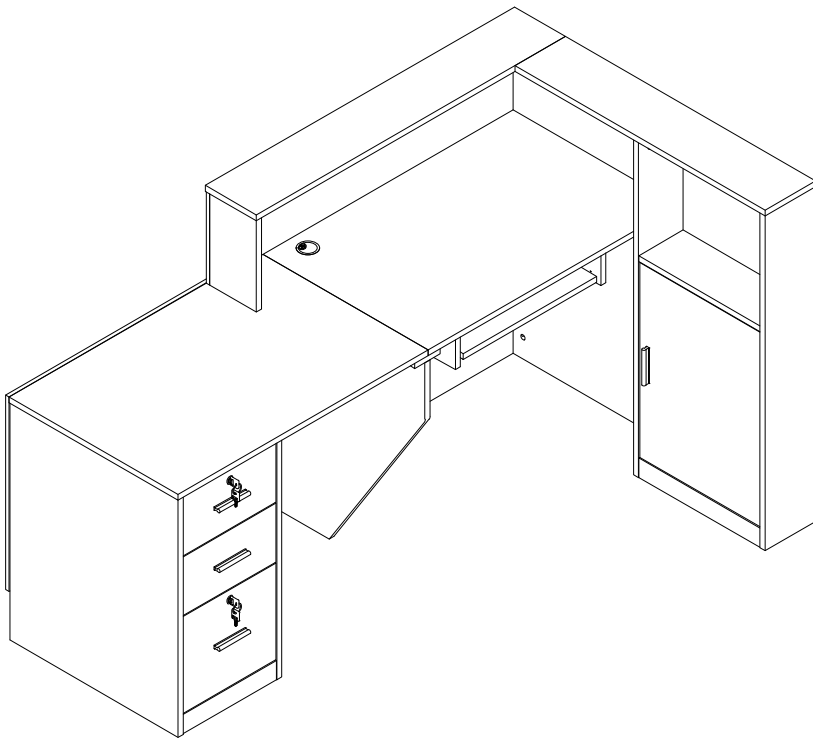


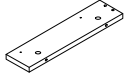
ASSEMBLY INSTRUCTION



ASSEMBLY INSTRUCTION

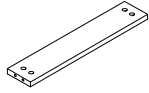
①

1PC



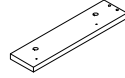
②

1PC



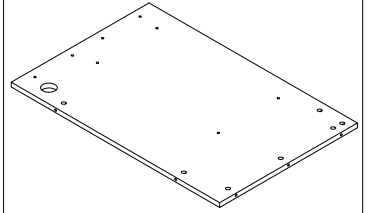
③

1PC



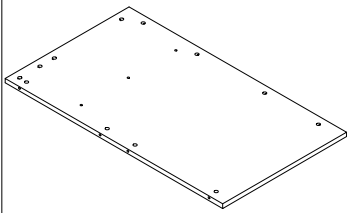
④

1PC



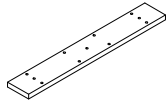
⑤

1PC



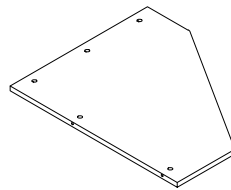
⑥

1PC



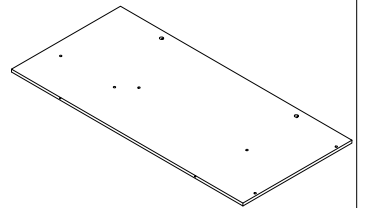
⑦

1PC



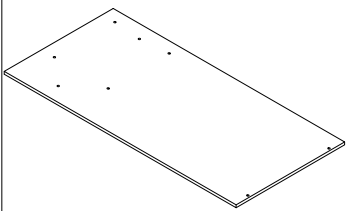
⑧

1PC



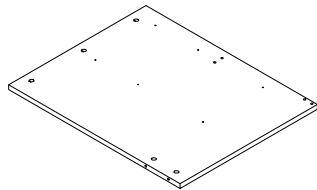
⑨

1PC



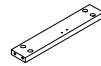
⑩

1PC



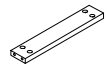
⑪

1PC



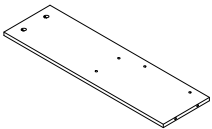
⑫

1PC



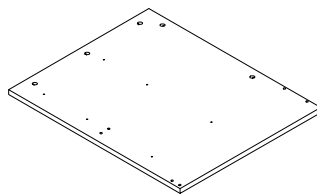
⑬

1PC



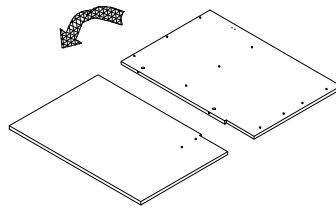
⑭

1PC



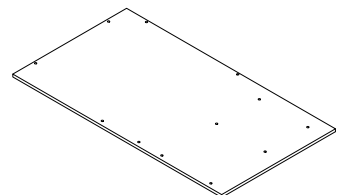
⑮

1PC



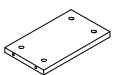
⑯

1PC



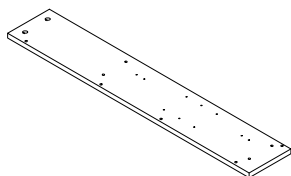
⑰

1PC



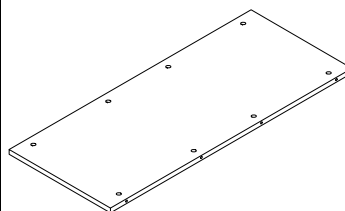
⑱

1PC



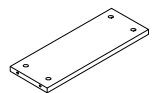
⑲

1PC

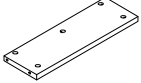
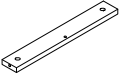
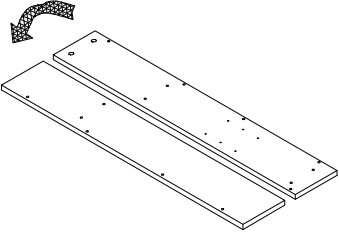
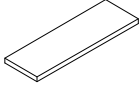
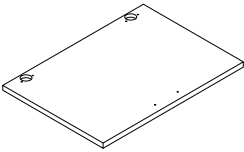
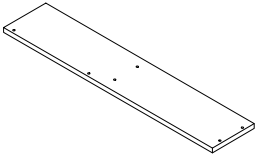
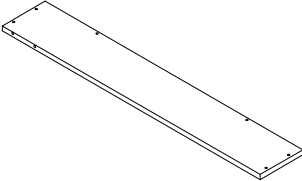
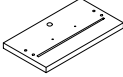
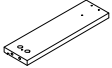
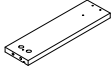
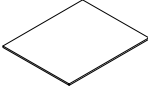
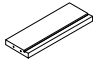
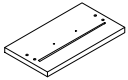
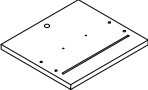
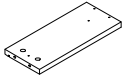
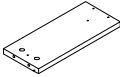
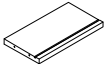
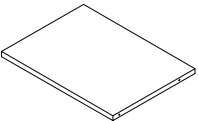


⑳

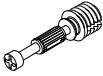






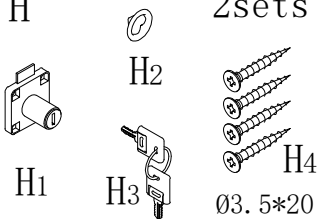



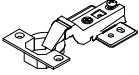


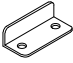


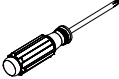
1PC



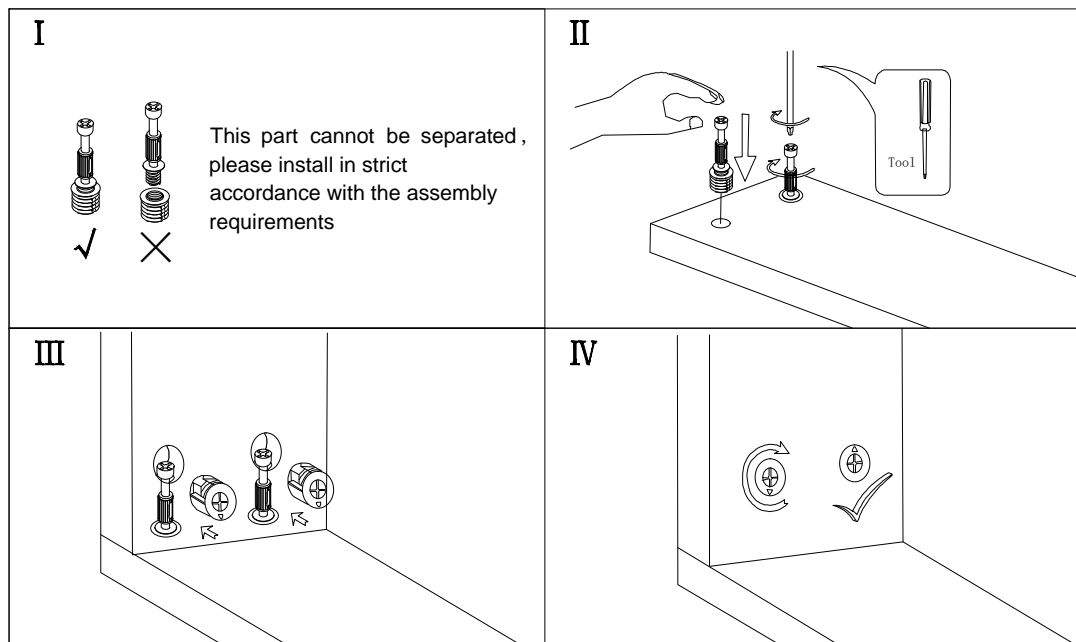
ASSEMBLY INSTRUCTION

| | | | |
|--|--|---|--|
| <p>②1 1PC</p>  | <p>②2 1PC</p>  | <p>②3 1PC</p>  | <p>②4 1PC</p>  |
| <p>②5 1PC</p>  | <p>②6 1PC</p>  | <p>②7 1PC</p>  | <p>②8 1PC</p>  |
| <p>②9 2PCS</p>  | <p>③0 2PCS</p>  | <p>③1 3PCS</p>  | <p>③2 2PCS</p>  |
| <p>③3 1PC</p>  | <p>③4 1PC</p>  | <p>③5 1PC</p>  | <p>③6 1PC</p>  |
| <p>③7 1PC</p>  | <p>③8 1PC</p>  | | |

ASSEMBLY INSTRUCTION

| | | | | | |
|---|---|--|---|--|---|
| <p>A 95PCS</p>  <p>M6*40</p> | <p>B 95PCS</p>  <p>Ø15*9.5</p> | <p>C 48PCS</p>  <p>Ø3.5*14</p> | <p>D 14PCS</p>  | | |
| <p>E 4sets</p>  <p>96# M4*22</p> | <p>F 8PCS</p>  <p>14"</p> | <p>G 12PCS</p>  <p>Ø3.5*40</p> | <p>H 2sets</p>  <p>H1 H2 H3 H4 Ø3.5*20</p> | | |
| <p>I 8PCS</p>  <p>M6*27</p> | <p>J 6PCS</p>  <p>Ø6*40</p> | <p>K 4PCS</p>  <p>Ø5*15</p> | <p>L 2PCS</p>  | | |
| <p>M 1PC</p>  <p>Ø50</p> | <p>N 8PCS</p>  <p>M6*20</p> | <p>O 2PCS</p>  <p>29*13*9</p> | <p>P 39PCS</p>  | <p>Q 57PCS</p>  |  |

"A" Hardware installation example

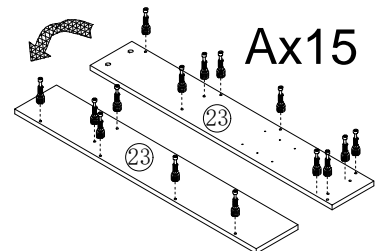
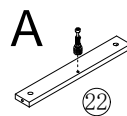
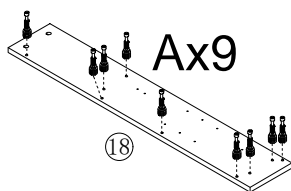
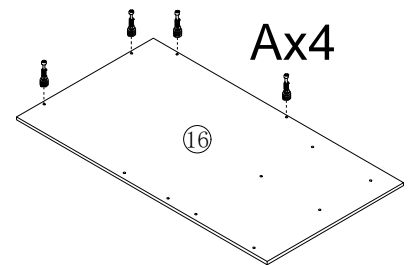
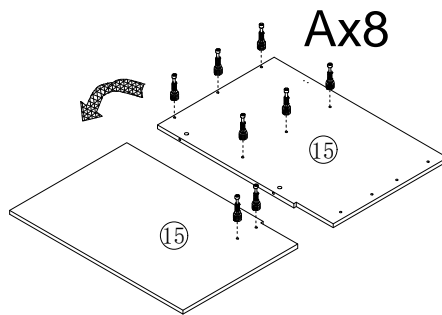
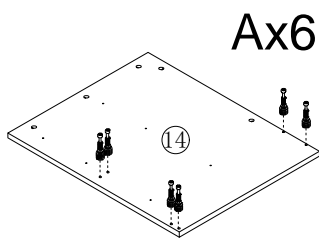
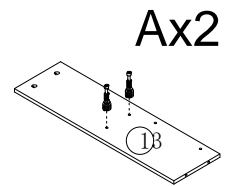
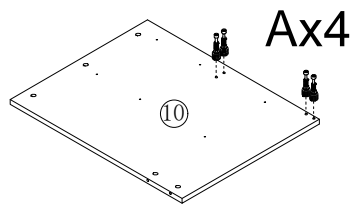
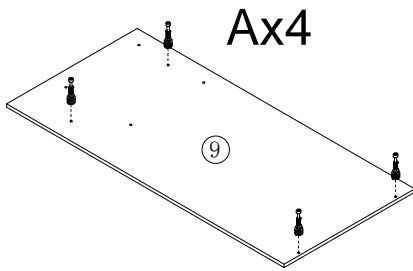
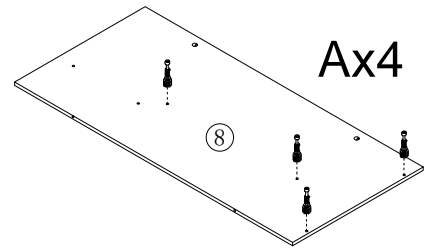
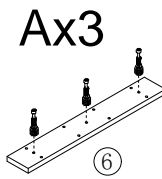
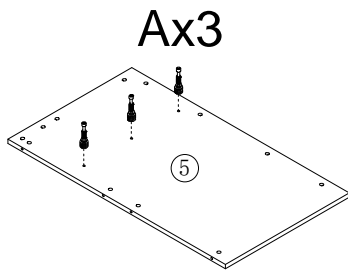
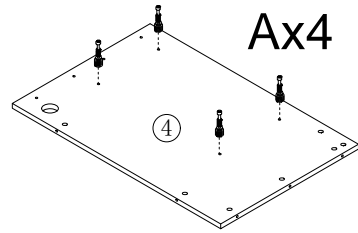
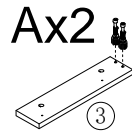
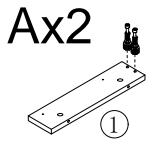


Step 1

A 71PCS



M6*40



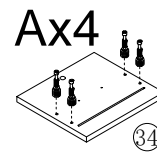
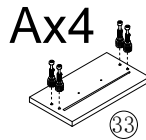
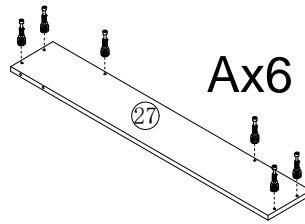
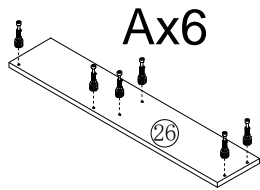
ASSEMBLY INSTRUCTION

Step 2

A 24PCS



M6*40



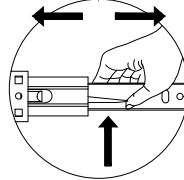
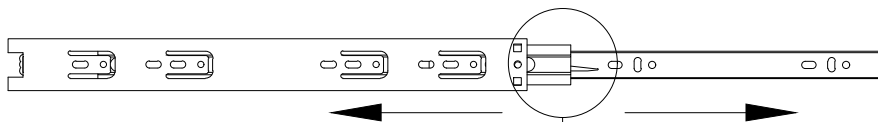
Step 3

F 8PCS



14"

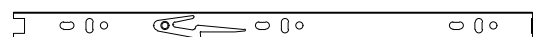
Fx8



F₁



F₂



ASSEMBLY INSTRUCTION

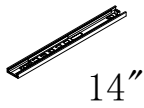
Step 4

C 16PCS

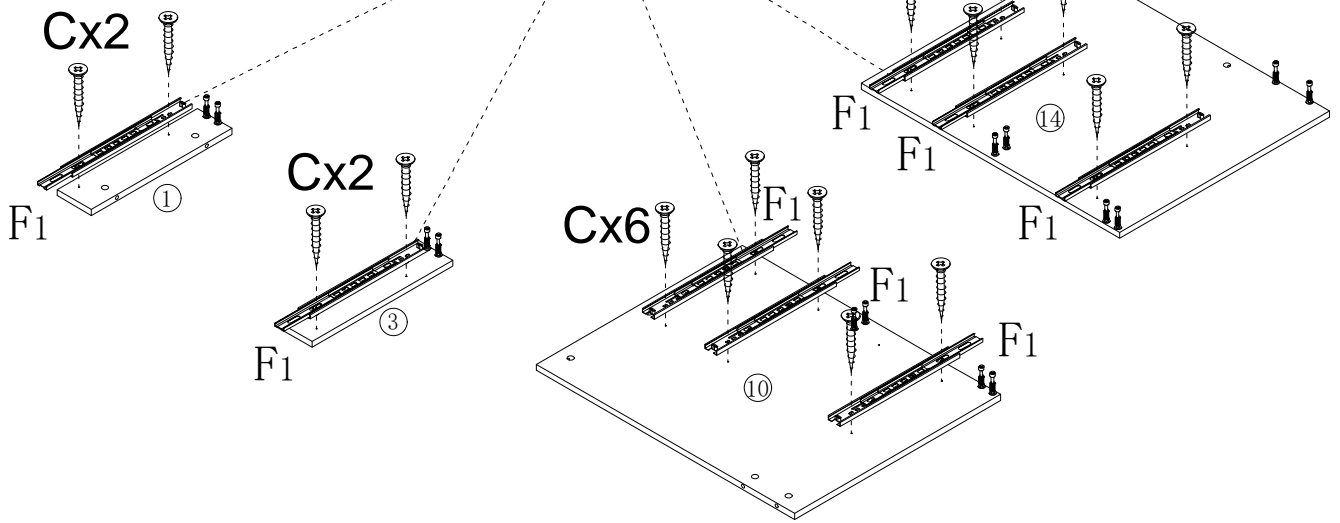
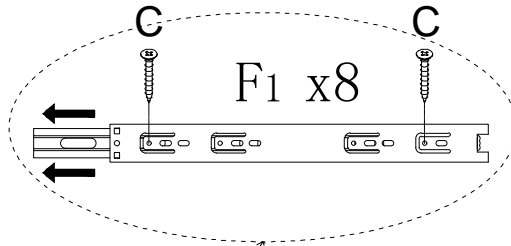


Ø3.5*14

F1 8PCS



14"

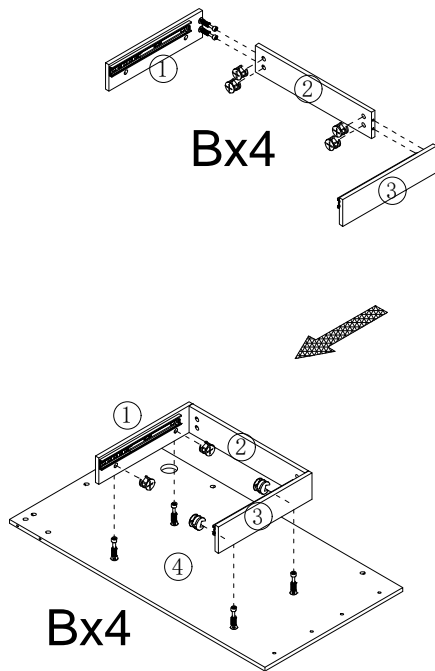


Step 5

B 8PCS



Ø15*9.5

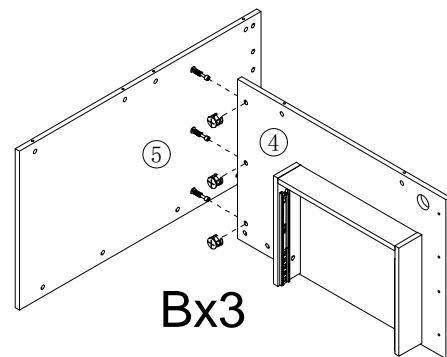


Step 6

B 3PCS

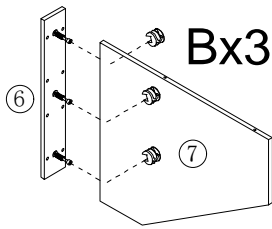


Ø15*9.5



ASSEMBLY INSTRUCTION

Step 7



Bx3

B 3PCS

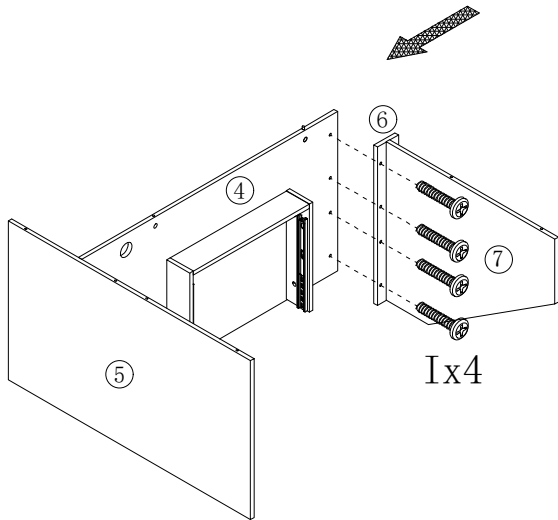


Ø15*9.5

I 4PCS

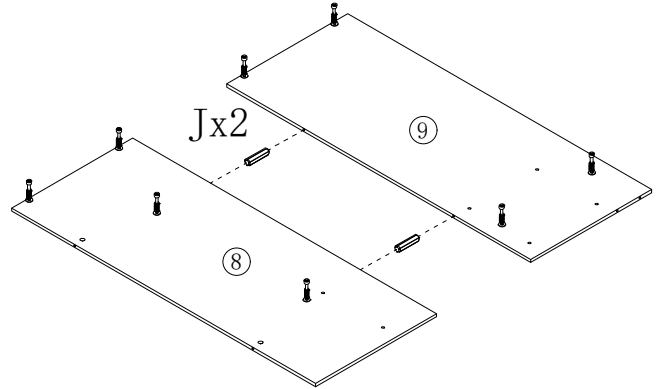


M6*27



Ix4

Step 8



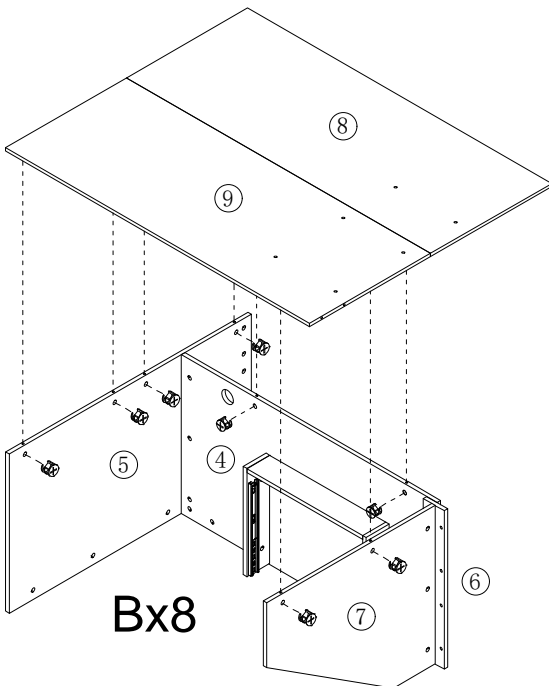
Jx2

J 2PCS



Ø6*40

Step 9



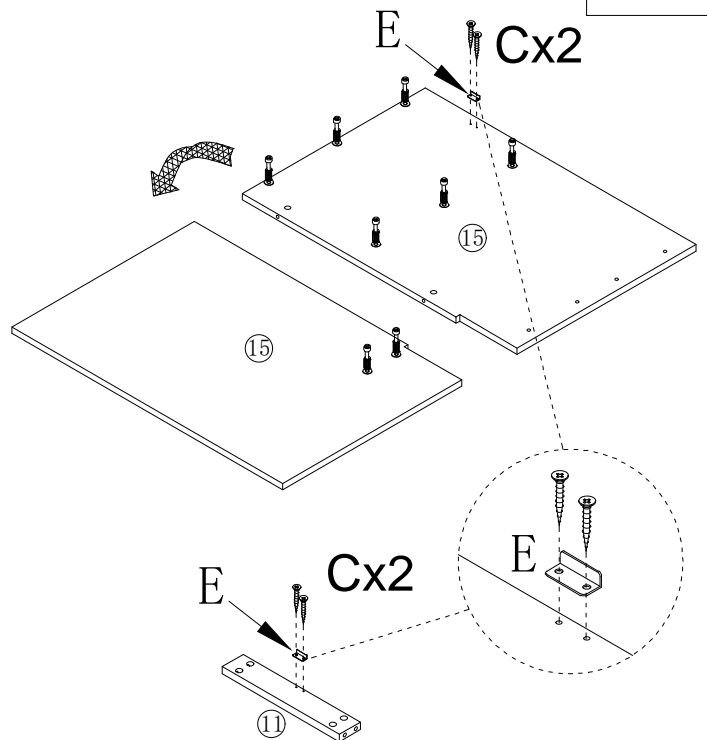
Bx8

B 8PCS



Ø15*9.5

Step 10



Cx2

C 4PCS



Ø3.5*14

E 2PCS



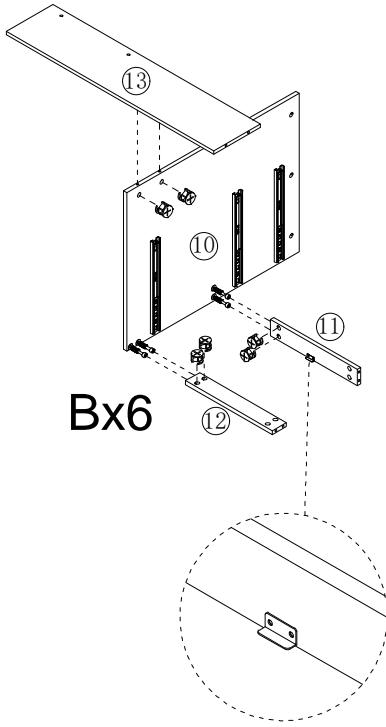
E **Cx2**

11

ASSEMBLY INSTRUCTION

Step 11

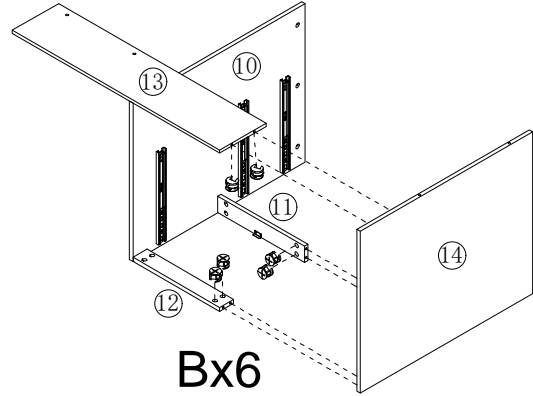
B 6PCS
Ø15*9.5



Bx6

Step 12

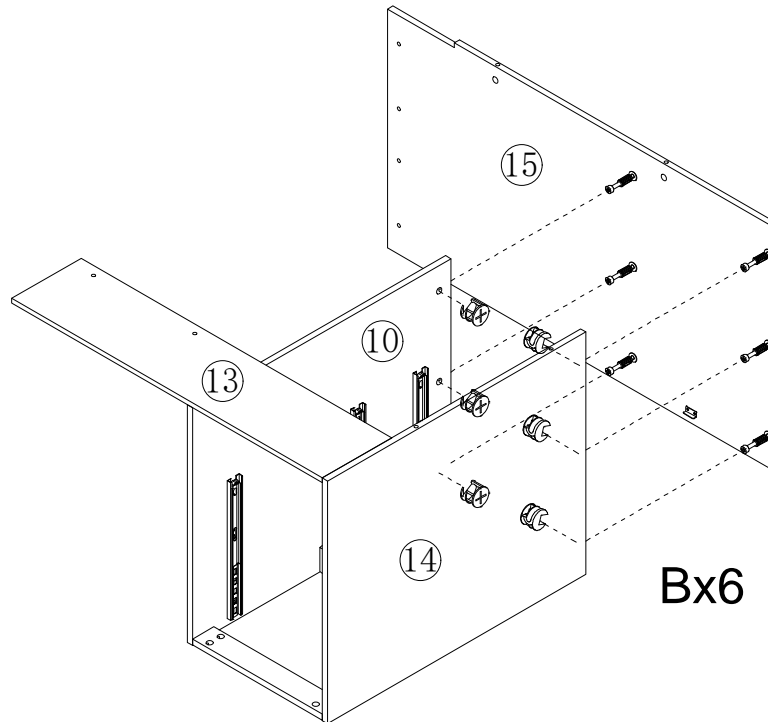
B 6PCS
Ø15*9.5



Bx6

Step 13

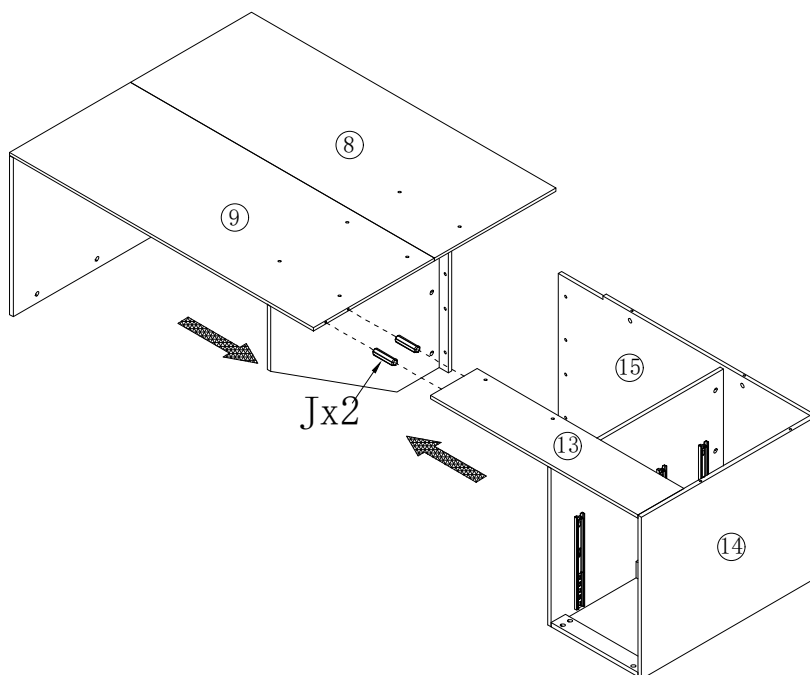
B 6PCS
Ø15*9.5



Bx6

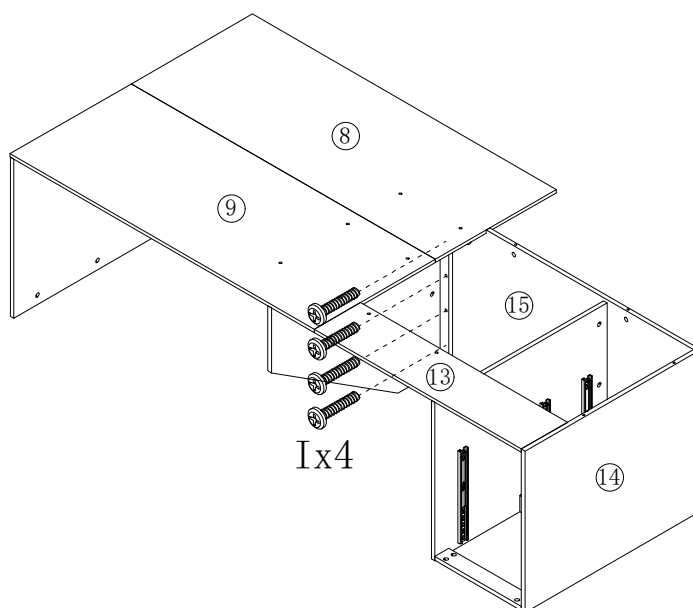
Step 14

J 2PCS

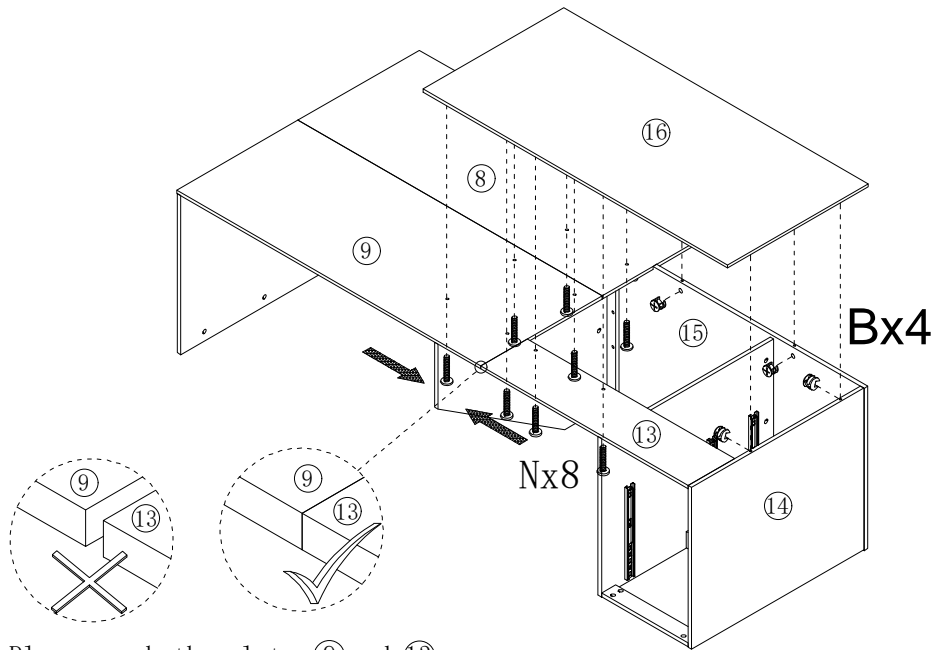


Step 15

I 4PCS



Step 16



B 4PCS



Ø15*9.5

N 8PCS

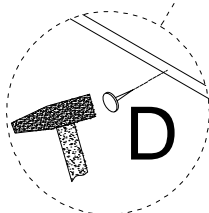
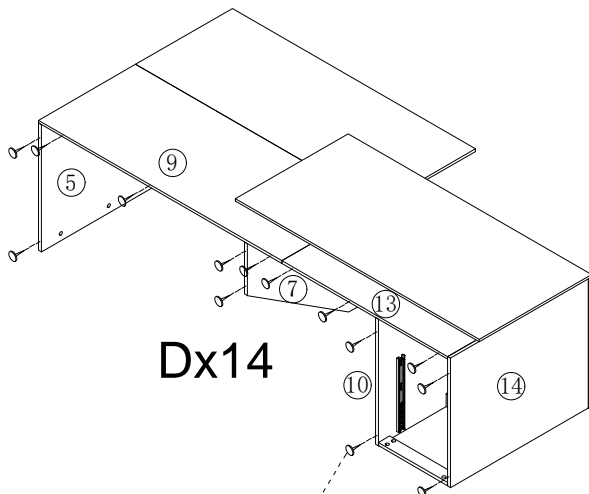


M6*20

Please push the plates ⑨ and ⑬ tightly together, and then tighten the accessory screw I.

Step 17

D 14PCS

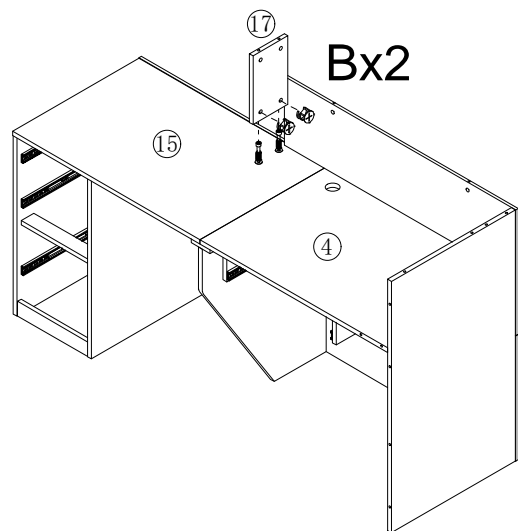


Step 18

B 2PCS



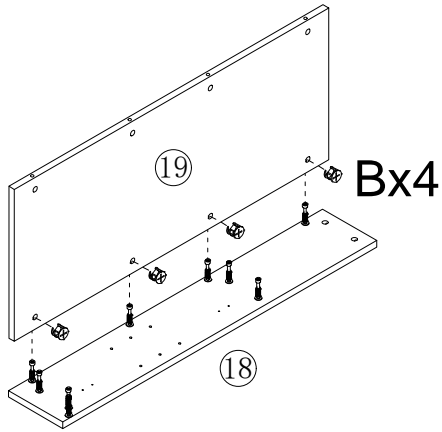
Ø15*9.5



ASSEMBLY INSTRUCTION

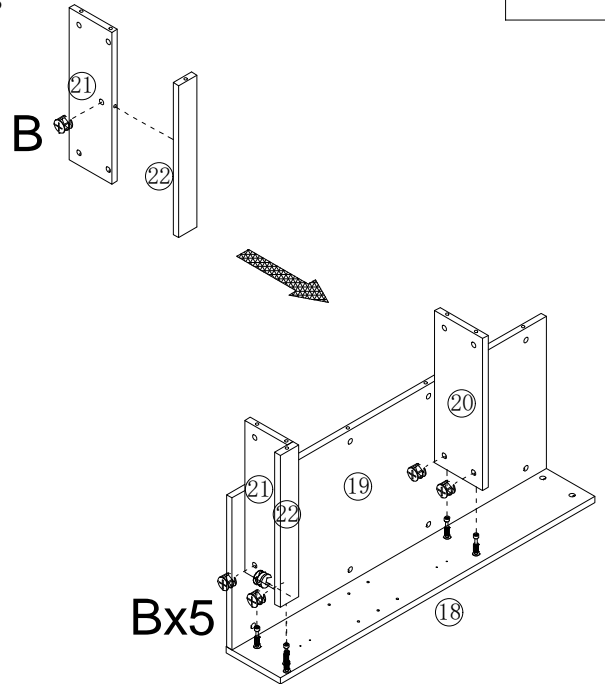
Step 19

B 4PCS
Ø15*9.5



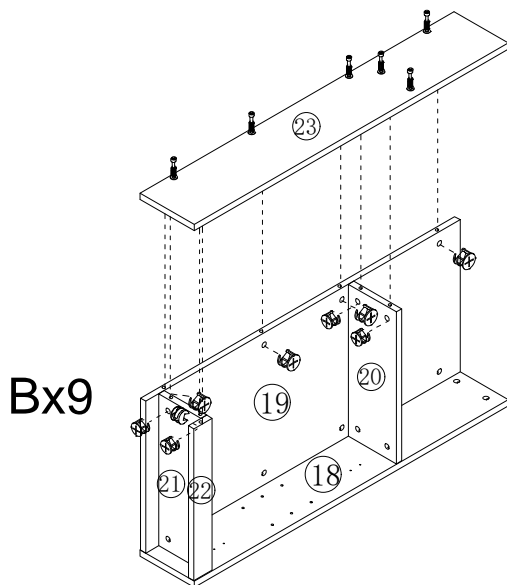
Step 20

B 6PCS
Ø15*9.5



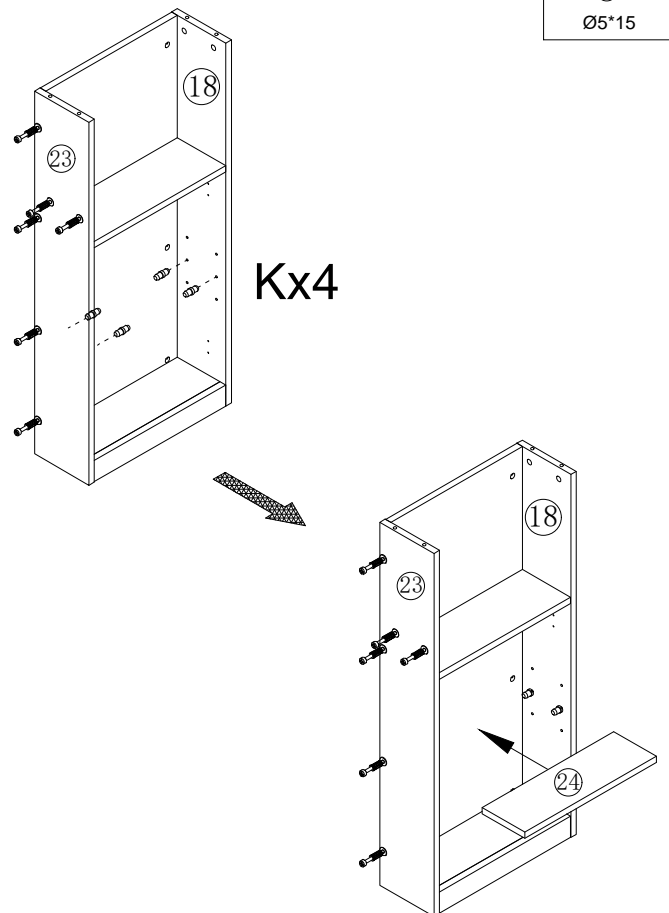
Step 21

B 9PCS
Ø15*9.5



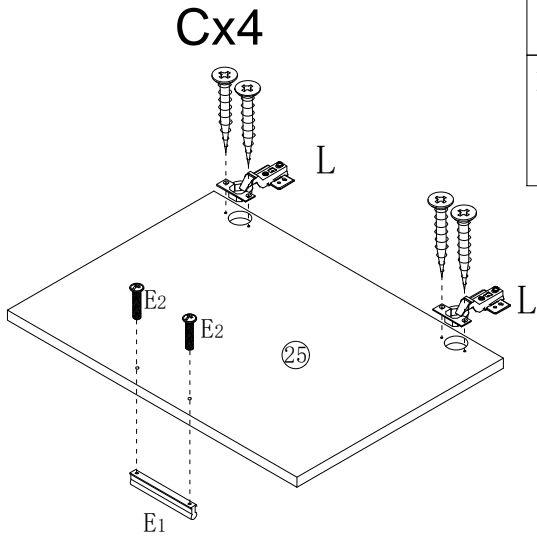
Step 22

K 4PCS
Ø5*15



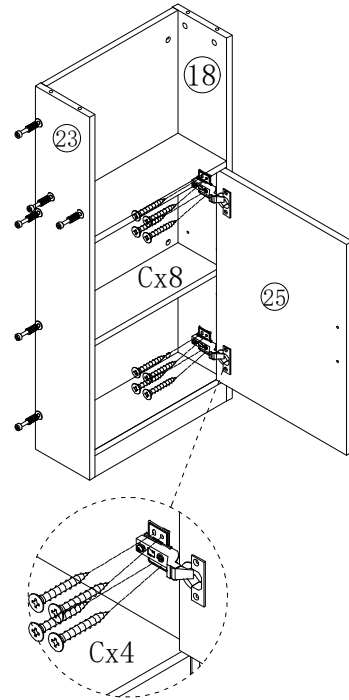
ASSEMBLY INSTRUCTION

Step 23



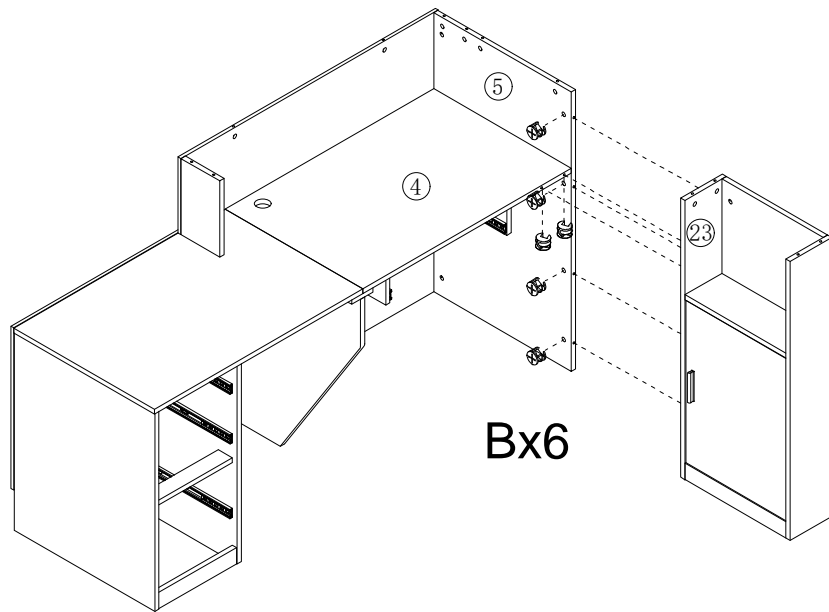
- C 4PCS
Ø3.5*14
- E 1set
96# M4*18
- L 2PCS

Step 24



- C 8PCS
Ø3.5*14

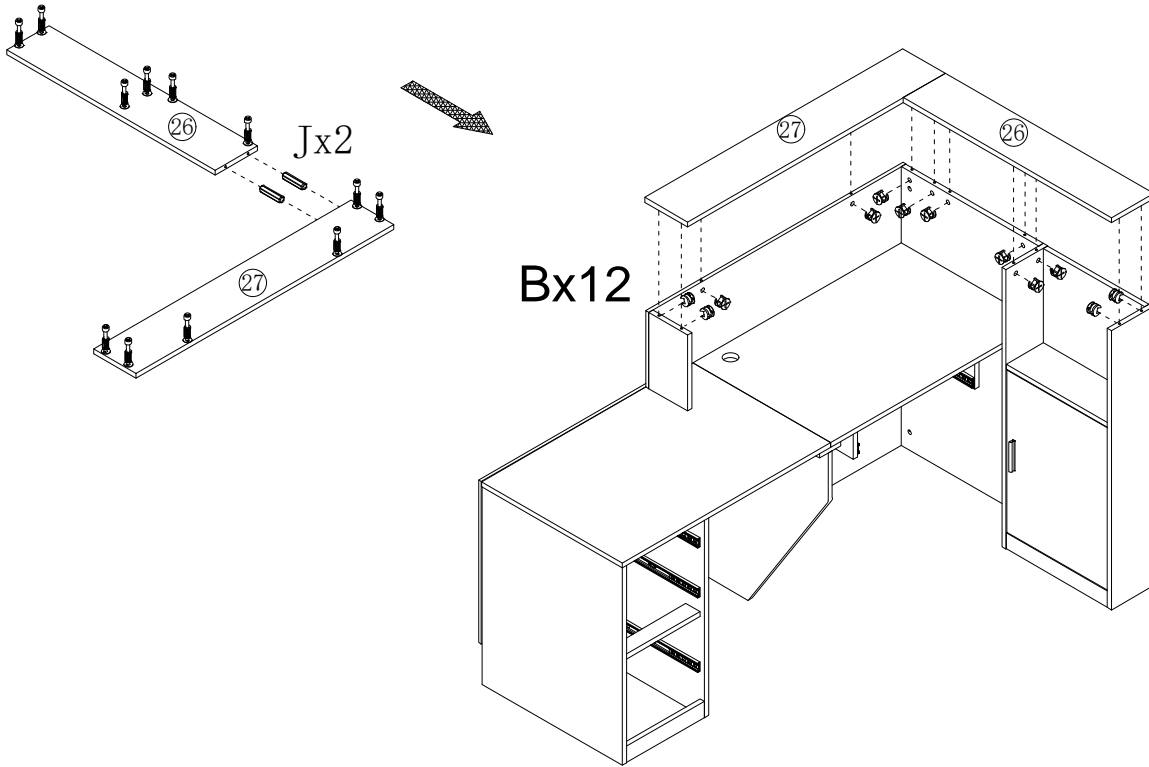
Step 25



- B 6PCS
Ø15*9.5

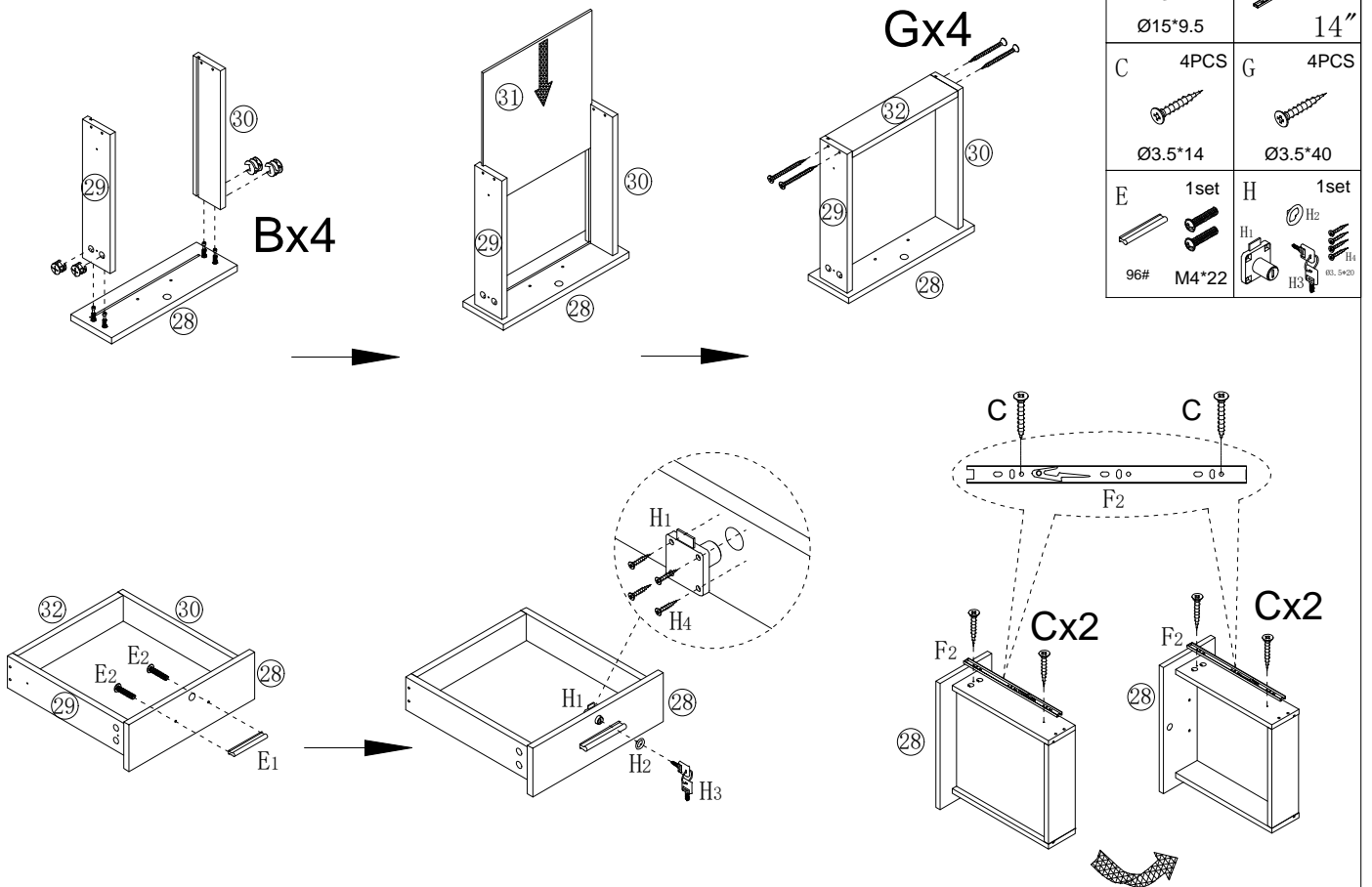
ASSEMBLY INSTRUCTION

Step 26



| | |
|---|---------|
| B | 12PCS |
| | |
| | Ø15*9.5 |
| J | 2PCS |
| | |
| | Ø6*40 |

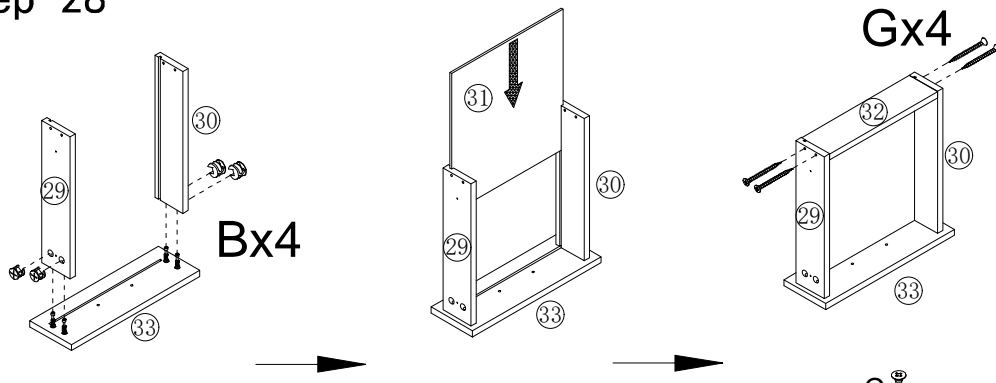
Step 27



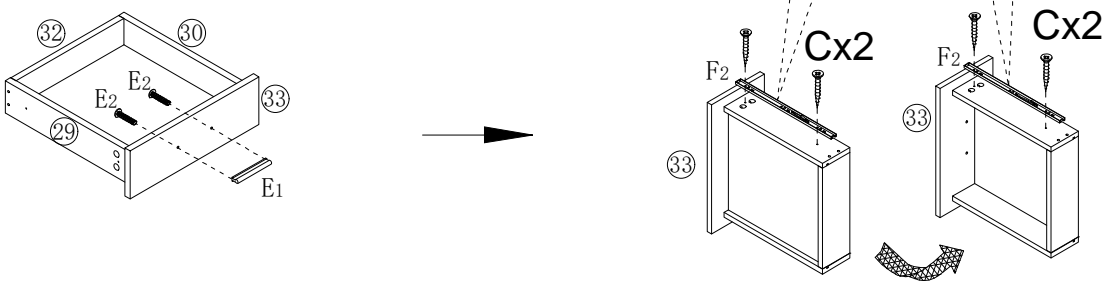
| | | | |
|-----|---------|----------------|----------------|
| B | 4PCS | F ₂ | 2PCS |
| | | | |
| | Ø15*9.5 | | 14" |
| C | 4PCS | G | 4PCS |
| | | | |
| | Ø3.5*14 | | Ø3.5*40 |
| E | 1set | H | 1set |
| | | | |
| 96# | M4*22 | H ₁ | H ₂ |
| | | H ₃ | H ₄ |

ASSEMBLY INSTRUCTION

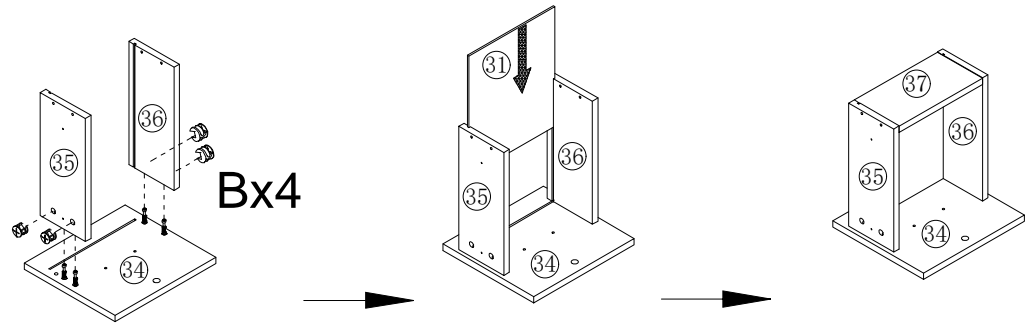
Step 28



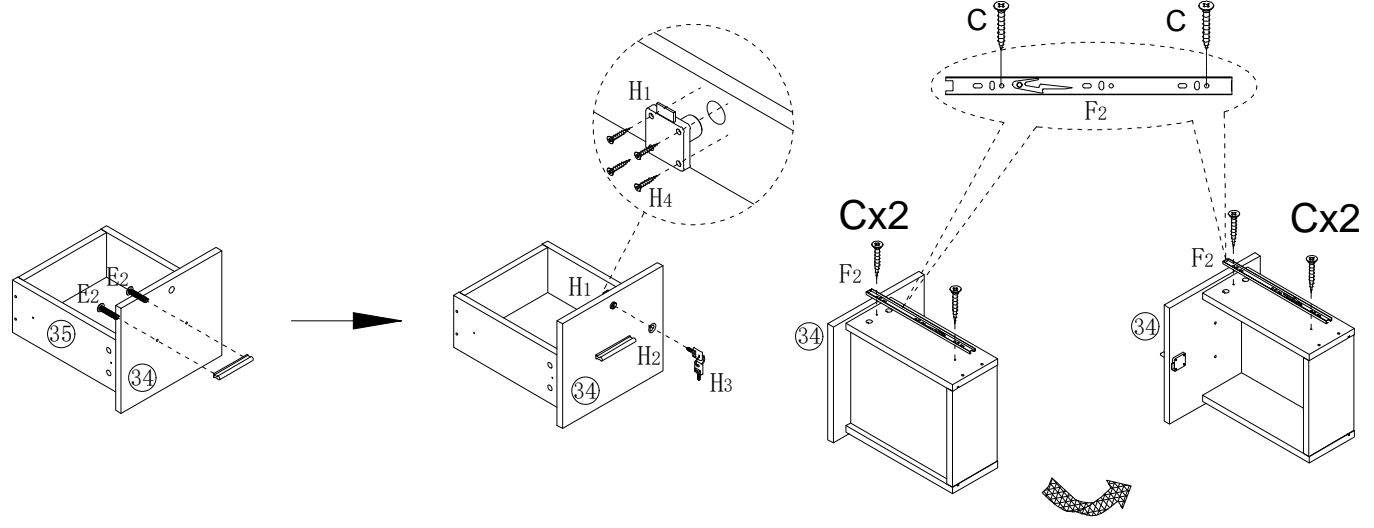
| | | | |
|---|---------|----------------|-------|
| B | 4PCS | E | 1set |
| | | | |
| | Ø15*9.5 | 96# | M4*22 |
| C | 4PCS | F ₂ | 2PCS |
| | | | |
| | Ø3.5*14 | 14" | |
| G | 4PCS | | |
| | | | |
| | Ø3.5*40 | | |



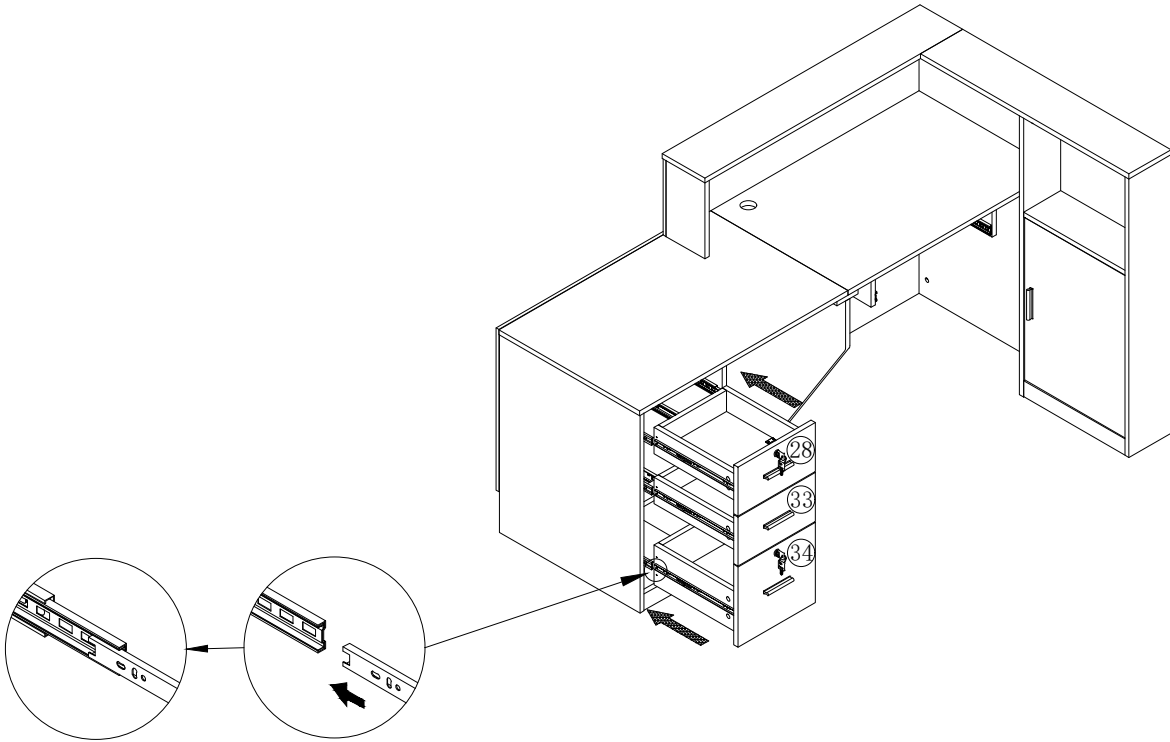
Step 29





| | | | |
|-----|---------|----------------|----------------|
| B | 4PCS | F ₂ | 2PCS |
| | | | |
| | Ø15*9.5 | 14" | |
| C | 4PCS | G | 4PCS |
| | | | |
| | Ø3.5*14 | Ø3.5*40 | |
| E | 1set | H | 1set |
| | | | |
| 96# | M4*22 | H ₁ | H ₂ |
| | | H ₃ | H ₄ |

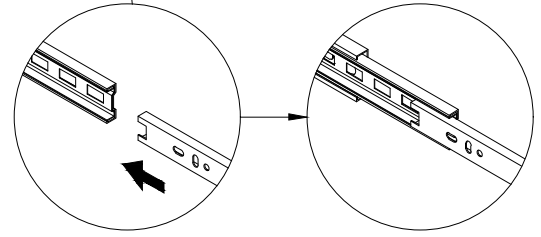
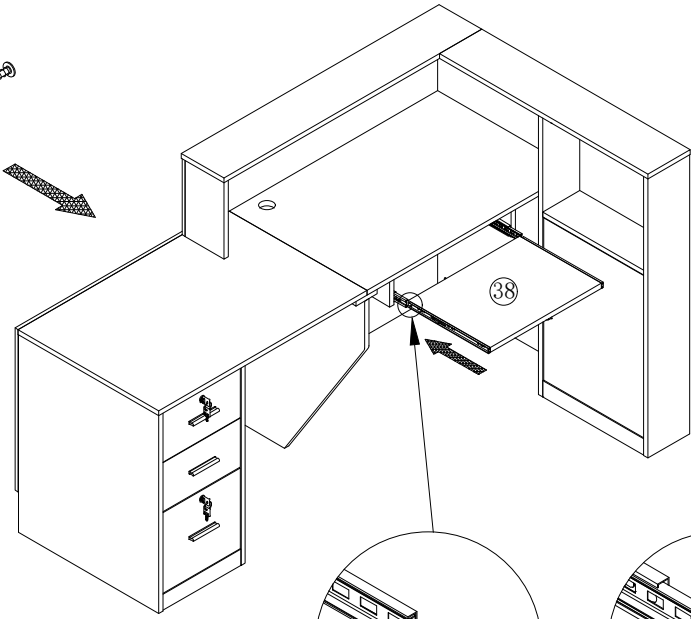
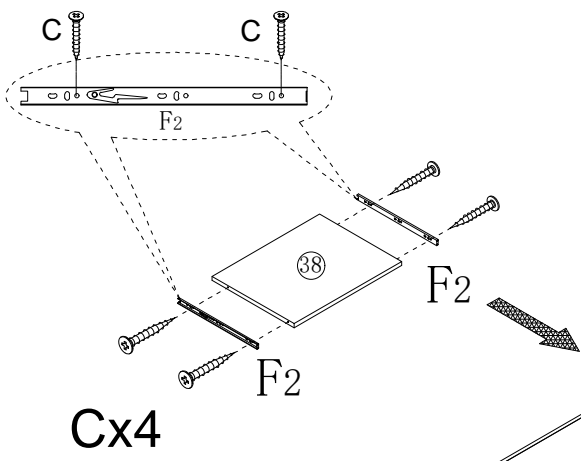


Step 30




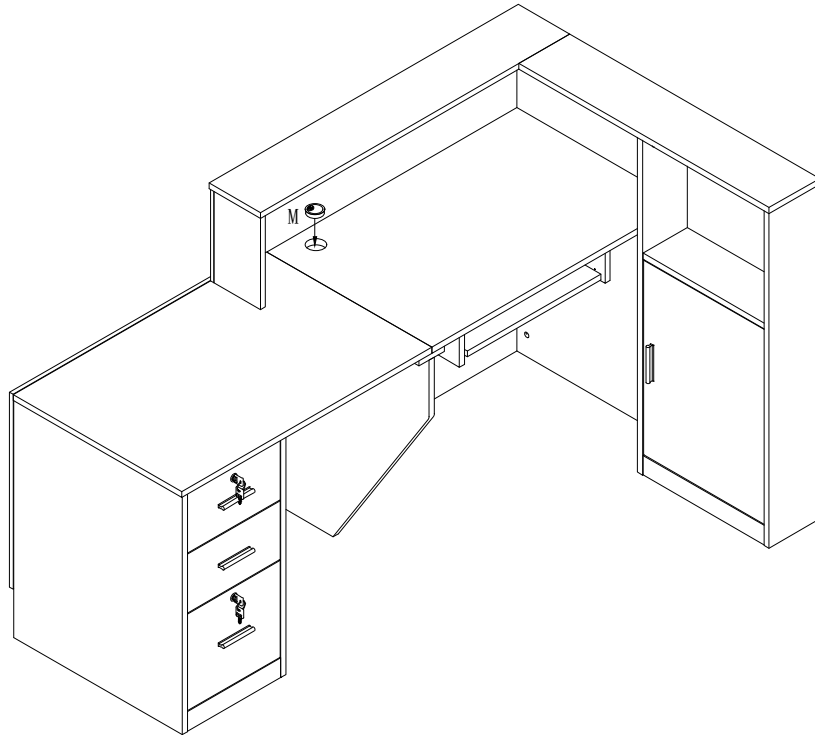
Step 31

| | |
|---|------|
| C | 4PCS |
|  | |
| Ø3.5*14 | |
| F2 | 2PCS |
|  | |
| 14" | |

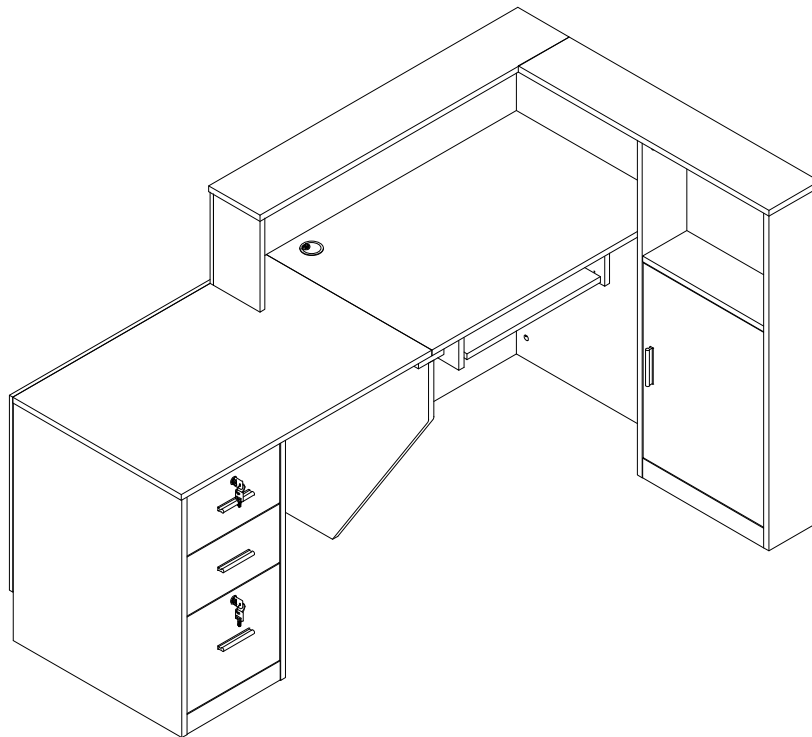


Step 32

M 1PC

Ø50



Step 33



OK