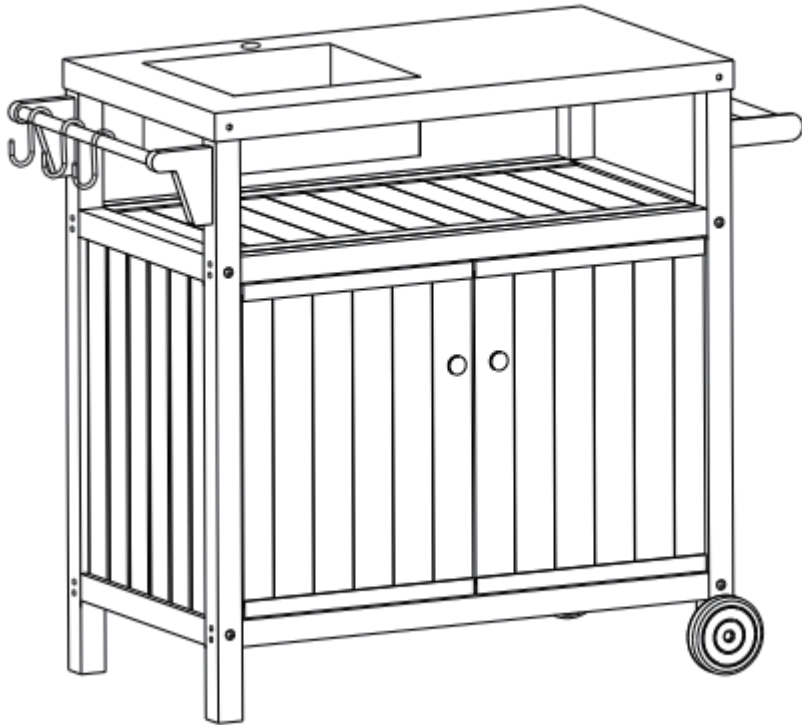


DINING CART TABLE



Assembly Consideration

Do not overtighten screws(Screw in all screws before tighten them)

Follow Assembly Instructions Step by Step

Do not discard original packaging if your received items damaged or with missing parts

Count all Hardware parts before starting assembly

Assemble items in a clear area and away from clutter to avoid misplacing assembly items



Safety Precautions

Avoid Using strong powertools to help prevent parts from cracking when assembly






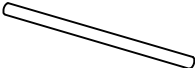
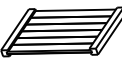
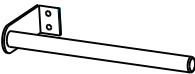
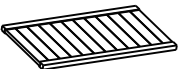

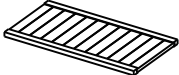
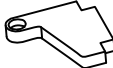




Customer Service















hello.hdpe@gmail.com

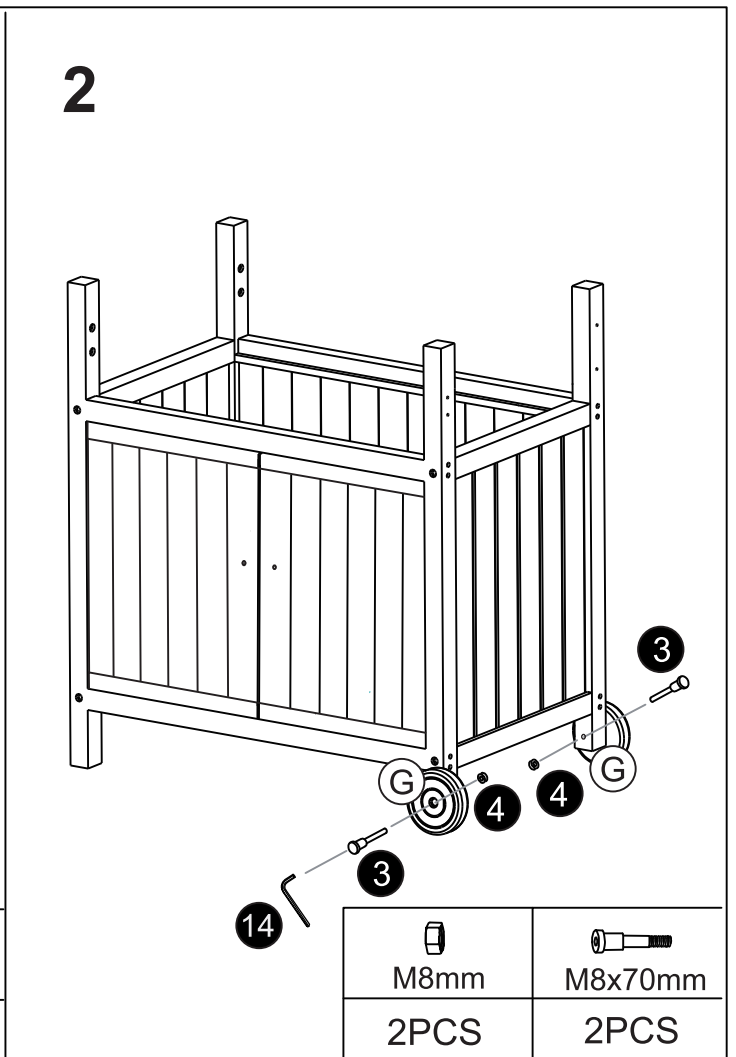
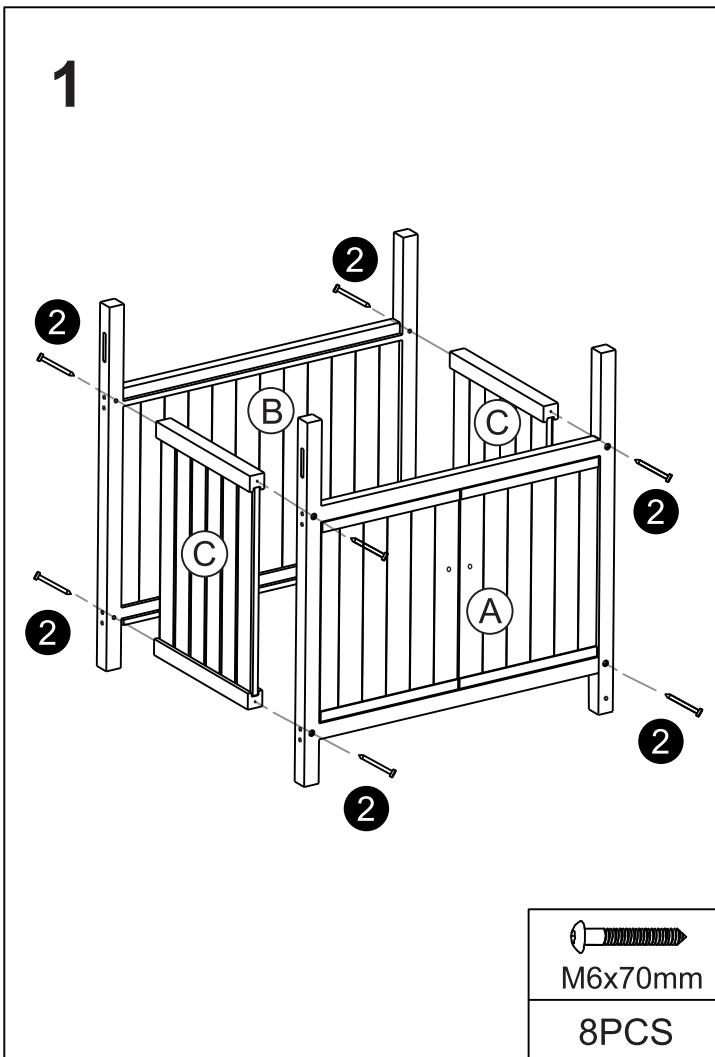
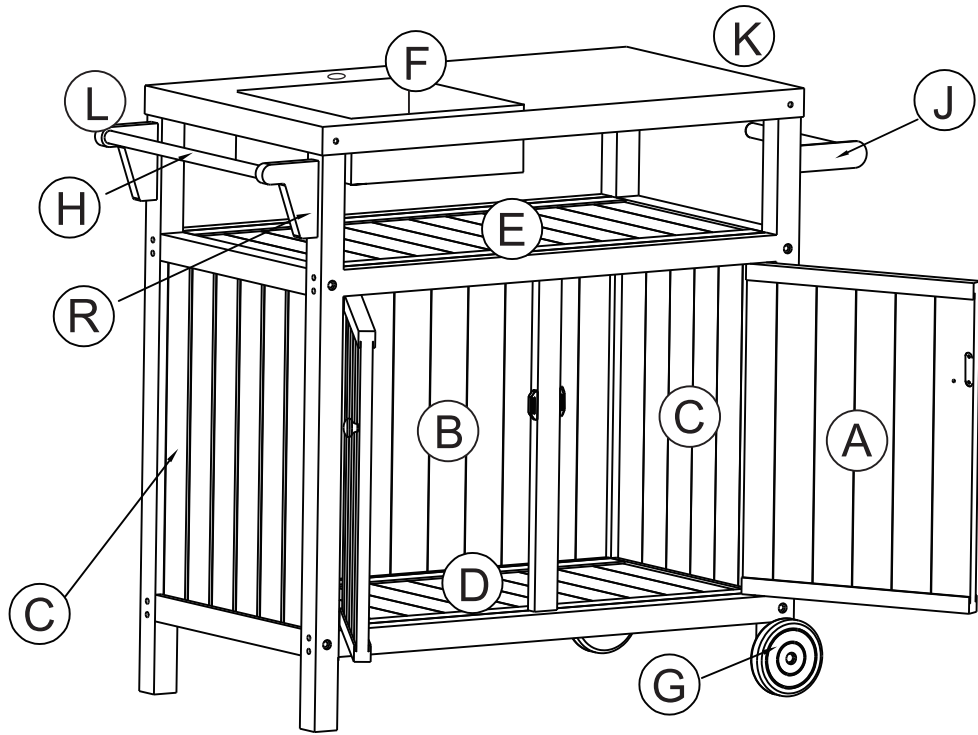
BASIC INFORMATION

- Product Size:L1070*W526*H920mm
- Desktop Size:855*480mm
- Sink Size:12.5*12.5*6inch
- Material:HDPE+Stainless Steel 304

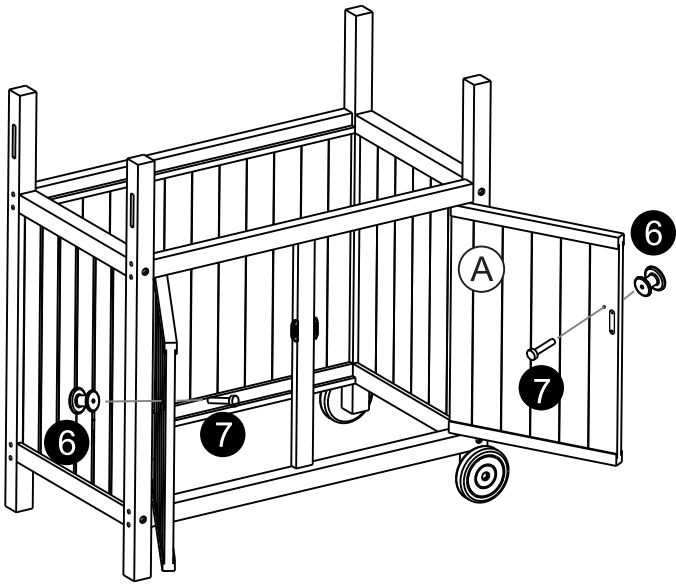
PACK LIST


(A)		1PC	(G)		2PCS
(B)		1PC	(H)		1PC
(C)		2PCS	(J)		1PC
(D)		1PC	(K)		1PC
(E)		1PC	(L)		1PC
(F)		1PC	(R)		1PC
(M)		1PC	(N)		1PC
(O)	Cart Cover	1PC			

(1)	 M6x50mm	4PCS	(8)		5PCS
(2)	 M6x70mm	8PCS	(9)		3PCS
(3)	 M8x70mm	2PCS	(10)	2.5# 	1PC
(4)	 M8mm	2PCS	(11)		1PC
(5)	 M6x25mm	8PCS	(12)	5# 	1PC
(6)		2PCS	(13)	5# 	1PC
(7)	 M4x20mm	2PCS	(14)	4# 	1PC

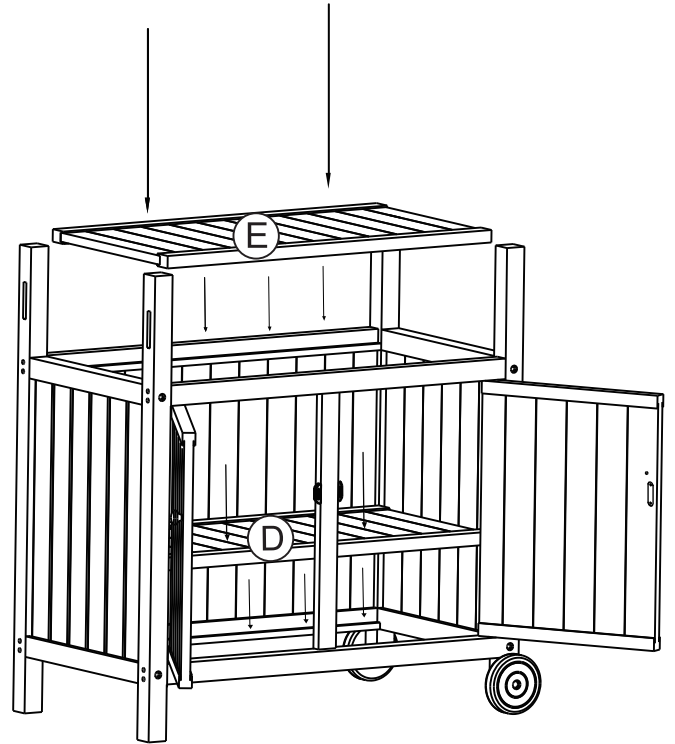


3

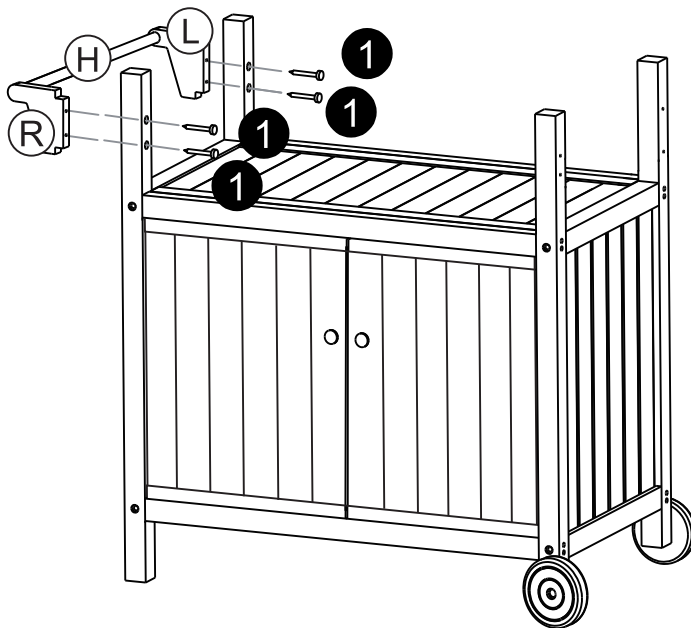



 M4x20mm	
2PCS	2PCS

4

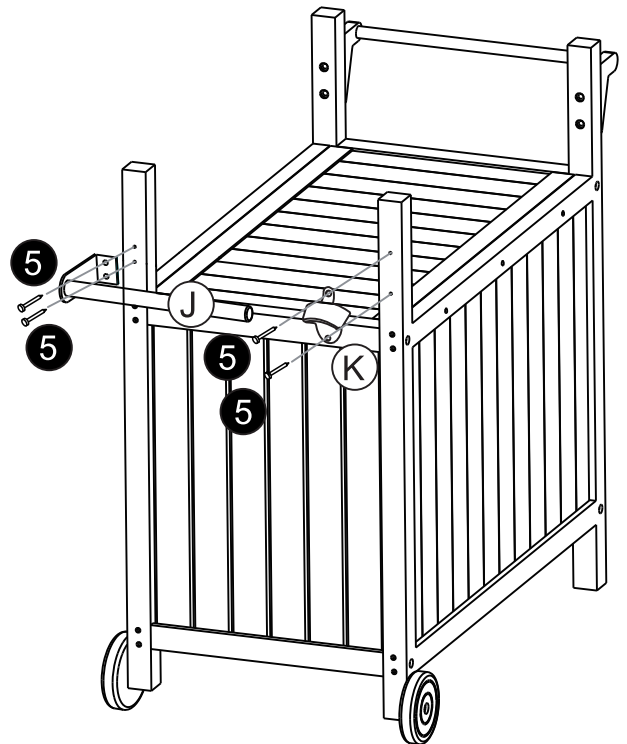



5



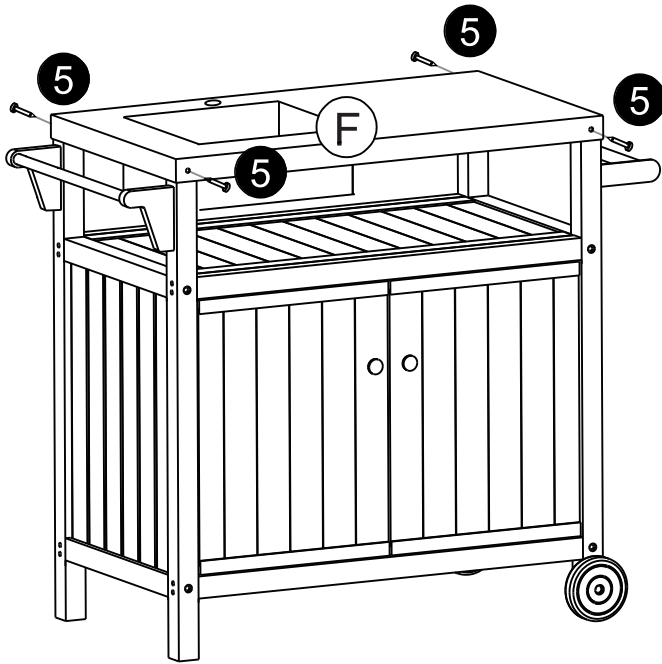
 M6x50mm
4PCS


6



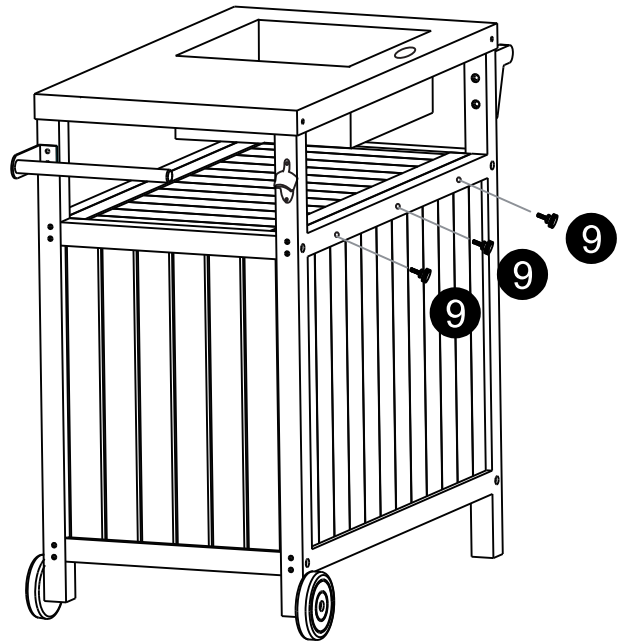
 M6x25mm
4PCS


7



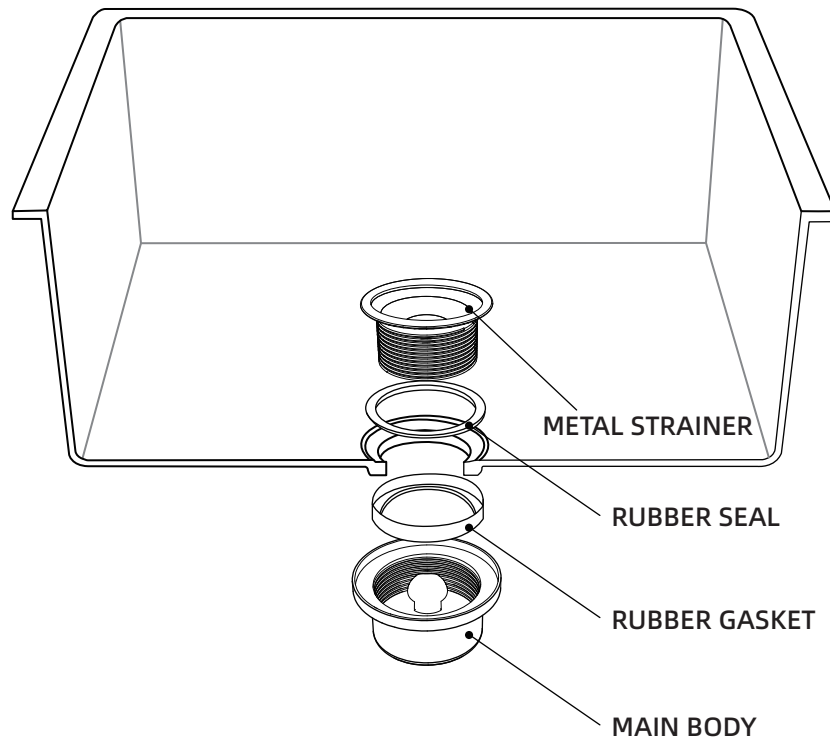

M6x25mm
4PCS

8




3PCS

9



MAINTENANCE OF HDPE MATERIAL PARTS

Cleaning:

After each use, food residues, oil stains, etc. on HDPE parts should be cleaned in time. You can use mild detergent and soft cloth to wipe, avoid using strong detergents or rough cleaning tools to avoid scratching the surface.

If there are stubborn stains, you can gently scrub with a soft brush, but pay attention to the strength to prevent damage to the material.

Sun protection:

HDPE may age and discolor under long-term sunlight exposure. When the barbecue cart is not in use, try to place it in a cool place, or use a sunshade to block it to reduce the time of direct sunlight.

Avoid high temperature contact:

Although HDPE has a certain heat resistance, it should avoid direct contact with high temperature objects, such as grills and baking trays just taken out of the oven. High temperature may cause HDPE to deform or damage.

Prevent scratches from sharp objects:

During use and storage, be careful to avoid sharp objects from scratching the HDPE surface. Knives, wires, etc. should be properly placed to avoid accidental scratches on the barbecue cart.

MAINTENANCE OF STAINLESS STEEL PARTS

Cleaning points:

After each use, wipe the stainless steel surface with a damp cloth immediately to remove dust, oil and food residues. For stubborn stains, you can use a special stainless steel cleaner, but use it according to the instructions to avoid excessive use and surface damage.

Avoid using chlorine-containing cleaners, as chlorine will corrode stainless steel.

Prevent rust:

Although stainless steel has rust-proof properties, it may still rust in a humid environment or when exposed to corrosive substances such as salt. After use, the moisture on the surface of the stainless steel should be wiped off in time, especially after use in humid environments such as the seaside, it should be thoroughly cleaned and dried.

If rust spots appear on the surface of stainless steel, stainless steel rust remover should be used in time to prevent the rust spots from expanding.

Avoid collisions and scratches:

Although stainless steel is hard, it is also easy to be collided and scratched by hard objects. During transportation and use, be careful to avoid collisions with other hard objects to avoid surface dents or scratches.

When storing, also avoid stacking with sharp objects.

Regular maintenance:

Maintain the stainless steel parts regularly. You can use stainless steel care agent or olive oil to gently wipe the surface to increase the gloss and rust resistance of stainless steel.

OVERALL MAINTENANCE PRECAUTIONS

Regular inspection:

Regularly check the various parts of the barbecue cart, including wheels, handles, connectors, etc., to ensure that they are in good working condition. If loose, damaged or worn parts are found, they should be repaired or replaced in time.

Proper storage:

When the barbecue cart is not in use, it should be stored in a dry and ventilated place. If possible, it can be covered with a car cover to prevent the accumulation of dust and debris.

Avoid leaving the barbecue cart outdoors for a long time and exposed to bad weather conditions, which can extend its service life.

