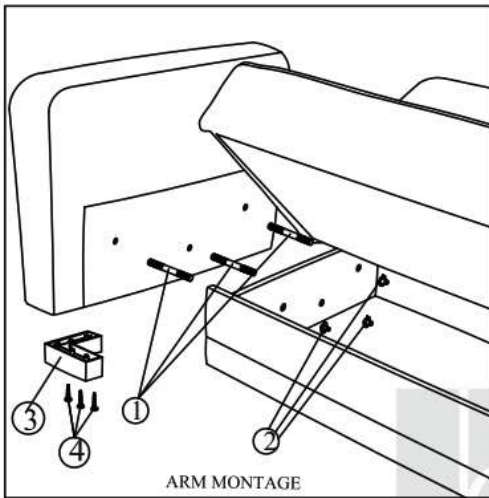
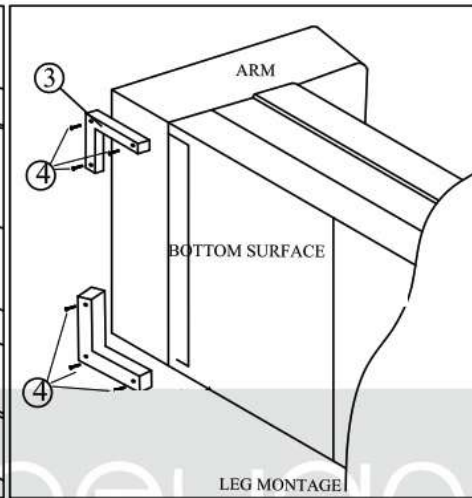


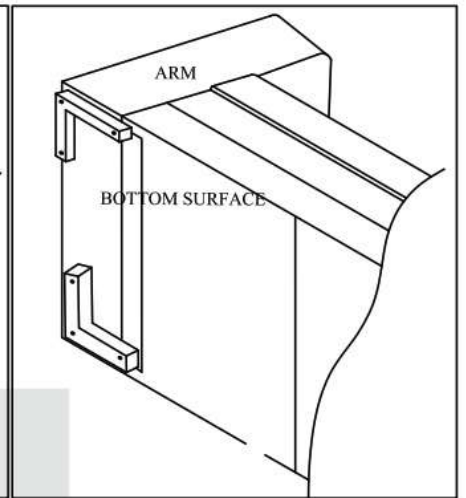
ASSEMBLING GUIDE



ARM MONTAGE



LEG MONTAGE

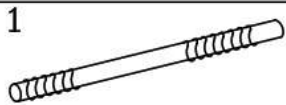


A-ARM ASSEMBLING

- A- PUT THE CONNECTION APARTE (1) IN TO THE ARMS
- B- PLACE THE ARMS NEAR TO THE BOX
- C- FIX THE ARMS TO THE BOX BY USING WING NUT (2)

B - LEG ASSEMBLING

- A- PLACE THE SOFA ON ITS BACKSIDE
- B- PUT THE LEG (3) ON THE ARM
- C- ASSEMBLE THE LEG (3) TO THE ARM, BY USING THE NUT (4)



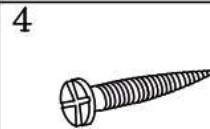
CONECTION APPARATUS x 6



WING NUT x 6



LEG x 4



NUT x 12