
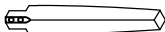






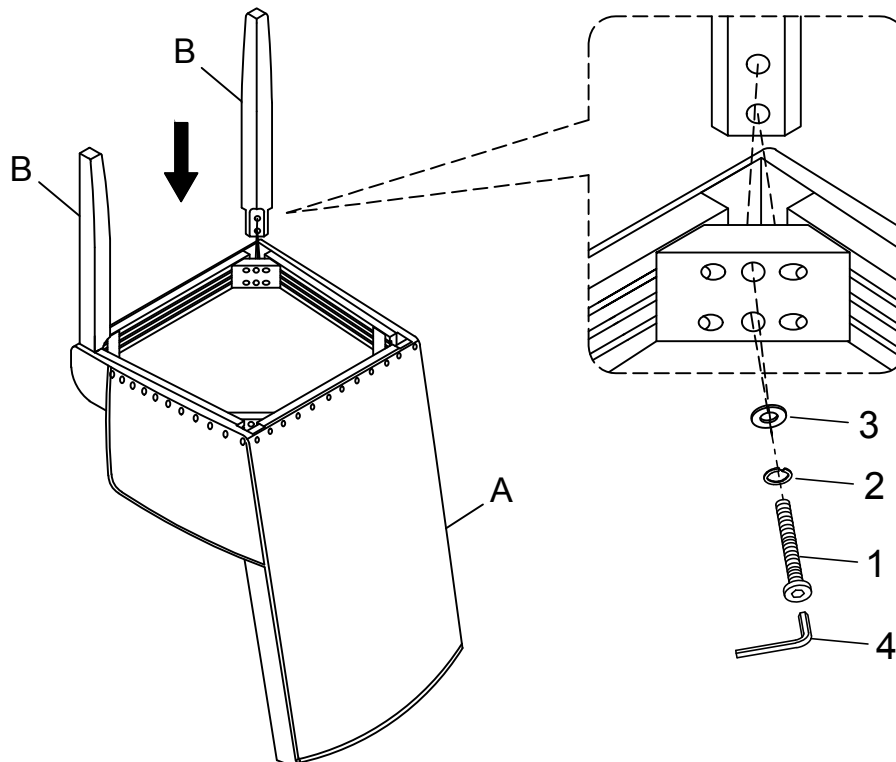


Assembly Instruction

NO.	PARTS LIST		Q'TY
A		SEAT&BACKREST	1PC
B		FRONT LEG	2PCS
C		LEFT BACK LEG	1PC
D		RIGHT BACK LEG	1PC

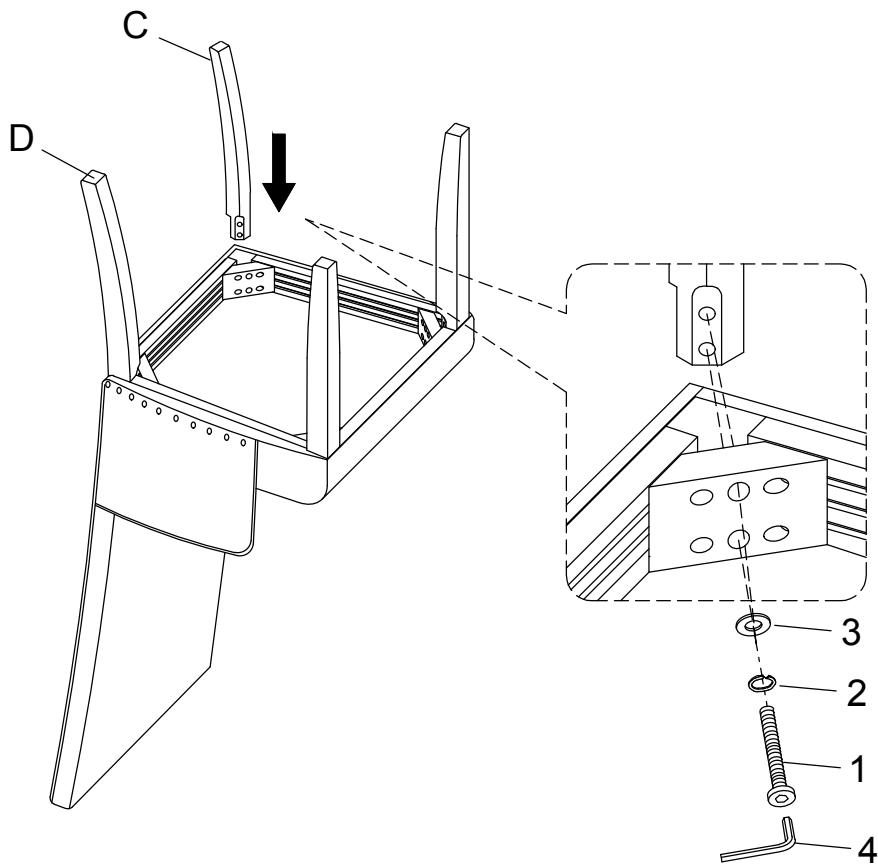
HARDWARE LIST			
NO.	DESCRIPTION	DRAWING	QTY
1	BOLT 5/16" x 57mm		8PCS
2	LOCK WASHER 5/16"		8PCS
3	FLAT WASHER 5/16"x19mm		8PCS
4	ALLEN KEY M5		1PC

STEP 1

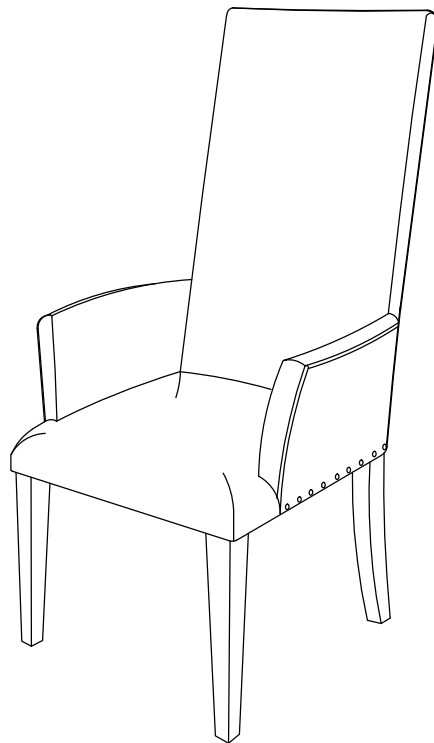


For items use on wooden floor, hard surfaces or carpets, it is recommended to install protective pads under all legs and supports to avoid/prevent from damages/scratches and discoloration.

STEP 2



STEP 3



Assembly completed