









# ASSEMBLY INSTRUCTION

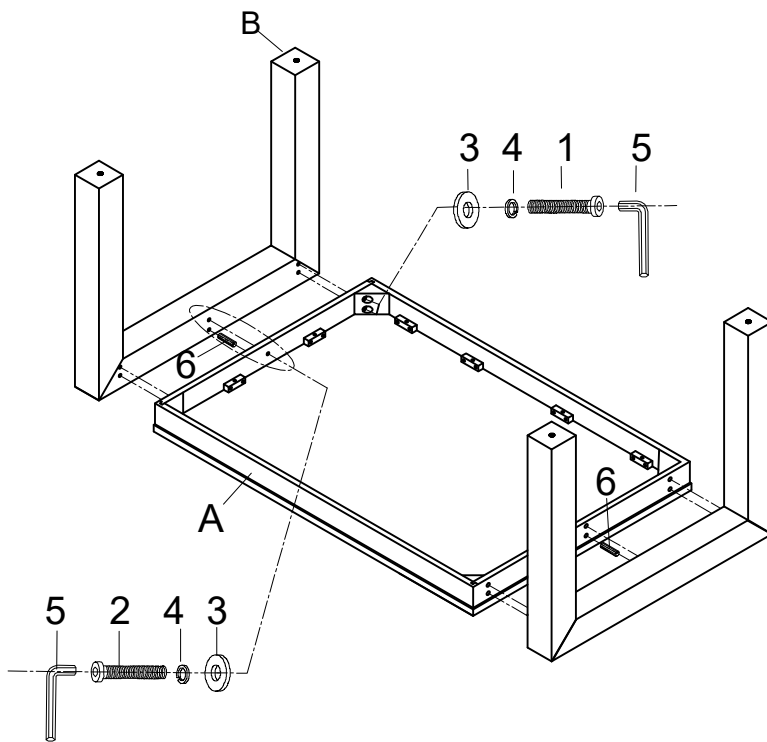
DIMENSION : 66"L x 38"W x 30"H

Item No: F2704  
Description: Dining Table

No	LIST OF PART	Q'TY
A	TABLE TOP 	1PC
B	TABLE LEG 	2PCS

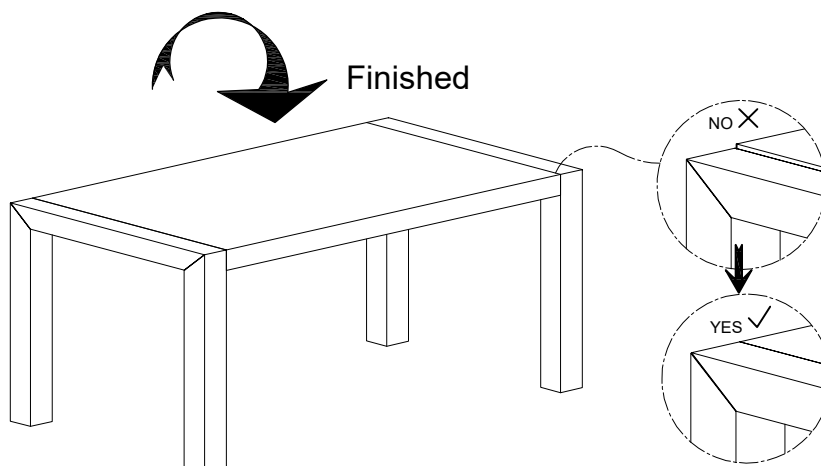
No	LIST OF HARDWARE	Q'TY
1	ALLEN BOLT 	8pcs
2	ALLEN BOLT 	2pcs
3	FLAT WASHER 	10pcs
4	SPRING WASHER 	10pcs
5	ALLEN KEY 	1pcs
6	WOOD DOWEL 	2pcs

Step 1:



**Attention 1:**  
Do Not overtighten hardware.  
Tighten only to 75% for now.

Step 2:



**Attention 2:**  
Adjust table top even with table legs then tighten the bolt.